



US00D788823S

(12) **United States Design Patent**  
**Ito**

(10) **Patent No.:** **US D788,823 S**  
(45) **Date of Patent:** **\*\* Jun. 6, 2017**

(54) **ENGINE FOR BRUSH CUTTER**  
(71) Applicant: **YAMABIKO CORPORATION**, Tokyo (JP)  
(72) Inventor: **Tomoki Ito**, Tokyo (JP)  
(73) Assignee: **Yamabiko Corporation**, Tokyo (JP)  
(\*\*) Term: **15 Years**  
(21) Appl. No.: **29/552,341**  
(22) Filed: **Jan. 21, 2016**

(30) **Foreign Application Priority Data**  
Aug. 28, 2015 (JP) ..... 2015-019016  
(51) **LOC (10) Cl.** ..... **15-01**  
(52) **U.S. Cl.**  
USPC ..... **D15/1**  
(58) **Field of Classification Search**  
USPC ..... D15/1-5, 11, 12, 17, 14, 149;  
D32/15-19, 21, 25; D23/213, 383  
CPC ..... F01P 5/02; F01P 1/02; F01P 1/06; F01P  
2001/023; F02B 75/007; F02B 63/02;  
F02B 75/02; F02B 2075/022; F02B  
75/16; F02B 2075/025; F02B 75/18  
See application file for complete search history.

(56) **References Cited**  
U.S. PATENT DOCUMENTS  
D416,265 S \* 11/1999 Kato ..... D15/1  
D503,410 S \* 3/2005 Kato ..... D15/1  
D599,822 S \* 9/2009 Okuda ..... D15/1  
D638,856 S \* 5/2011 Koizumi ..... D15/5

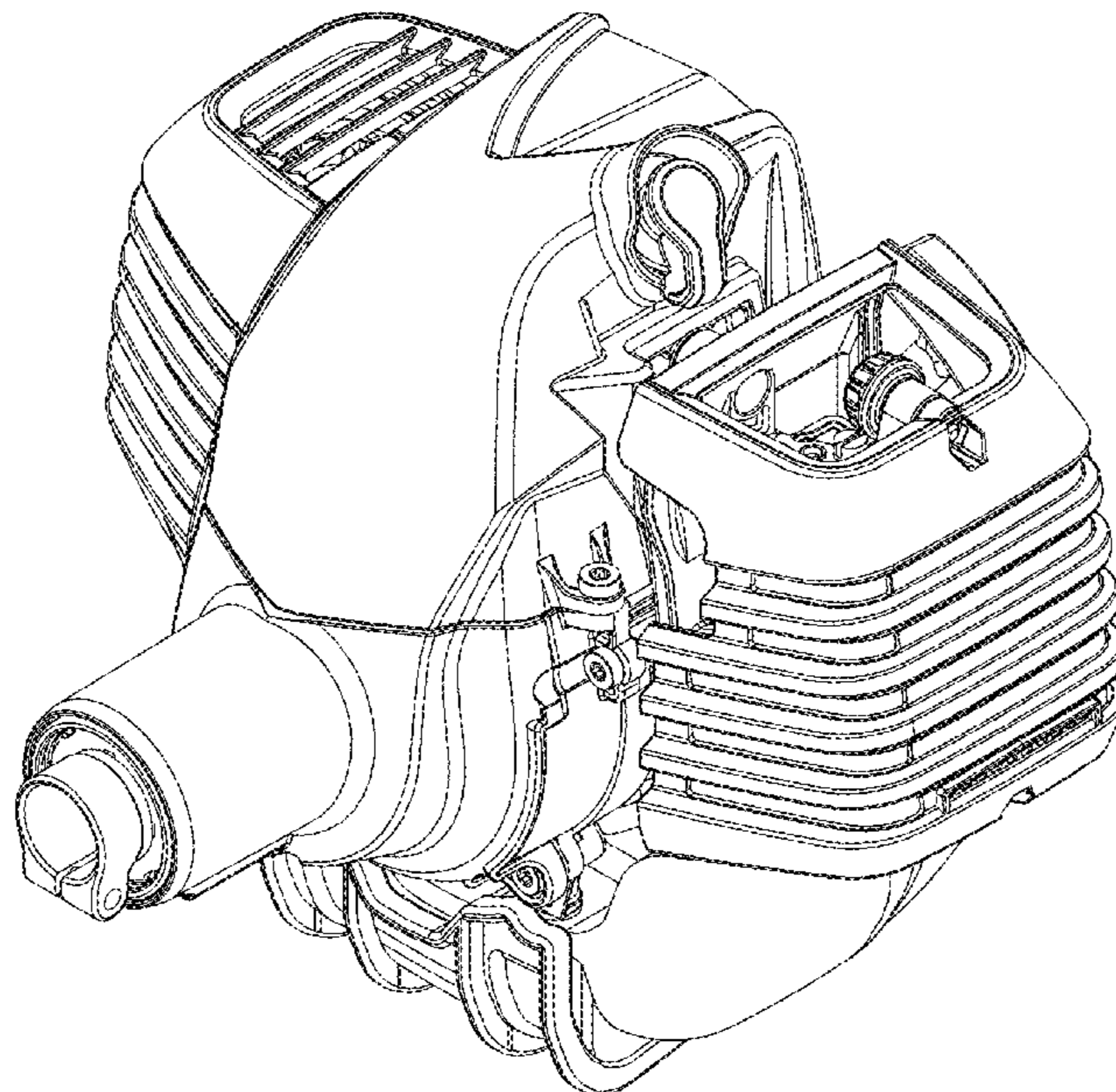
D644,664 S \* 9/2011 Sugiyama ..... D15/1  
D646,299 S \* 10/2011 Aruga ..... D15/1  
D667,024 S \* 9/2012 Taniguchi ..... D15/1  
D682,782 S \* 5/2013 Yamamoto ..... D13/112  
D700,620 S \* 3/2014 Aruga ..... D15/1  
D704,741 S \* 5/2014 Tinius ..... D15/1  
2013/0284126 A1\* 10/2013 Kimura ..... F01P 1/06  
123/2  
2014/0216402 A1\* 8/2014 Oppenlander ..... F02M 3/10  
123/437  
2016/0237876 A1\* 8/2016 Ichihashi ..... F01N 3/10  
\* cited by examiner

*Primary Examiner* — T. Chase Nelson  
*Assistant Examiner* — Ania Aman  
(74) *Attorney, Agent, or Firm* — Dykema Gossett PLLC

(57) **CLAIM**  
The ornamental design of an engine for brush cutter, as shown and described.

**DESCRIPTION**  
FIG. 1 is a front view of an engine for brush cutter according to my new and ornamental design,  
FIG. 2 is a rear view thereof,  
FIG. 3 is a top plan view thereof,  
FIG. 4 is a bottom plan view thereof,  
FIG. 5 is a right side view thereof,  
FIG. 6 is a left side view thereof,  
FIG. 7 is a first perspective view thereof; and,  
FIG. 8 is a second perspective view thereof.  
The broken lines shown in the drawings are for the purpose of illustrating portions of the article that form no part of the claimed design.

**1 Claim, 8 Drawing Sheets**



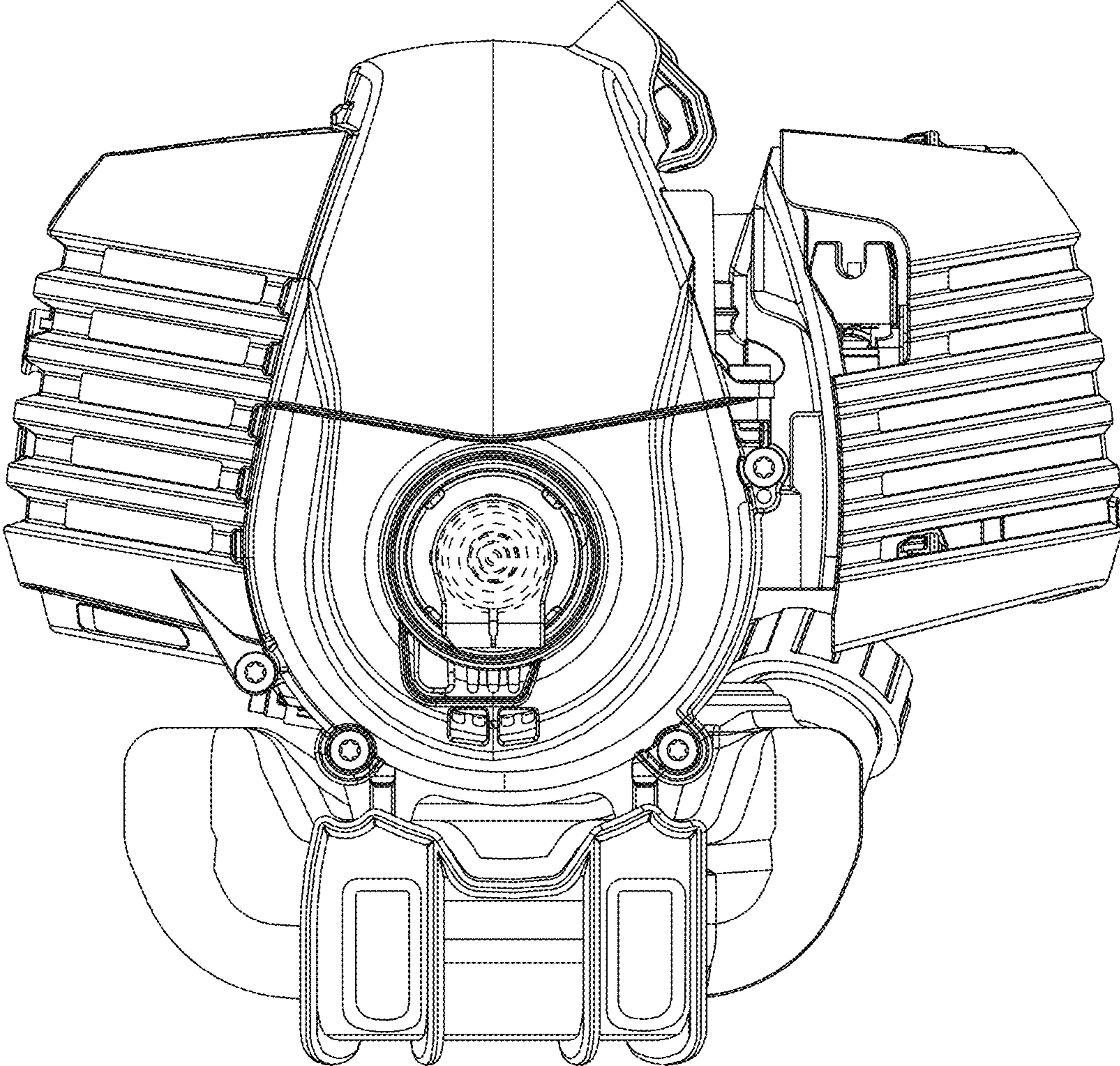


FIG. 1

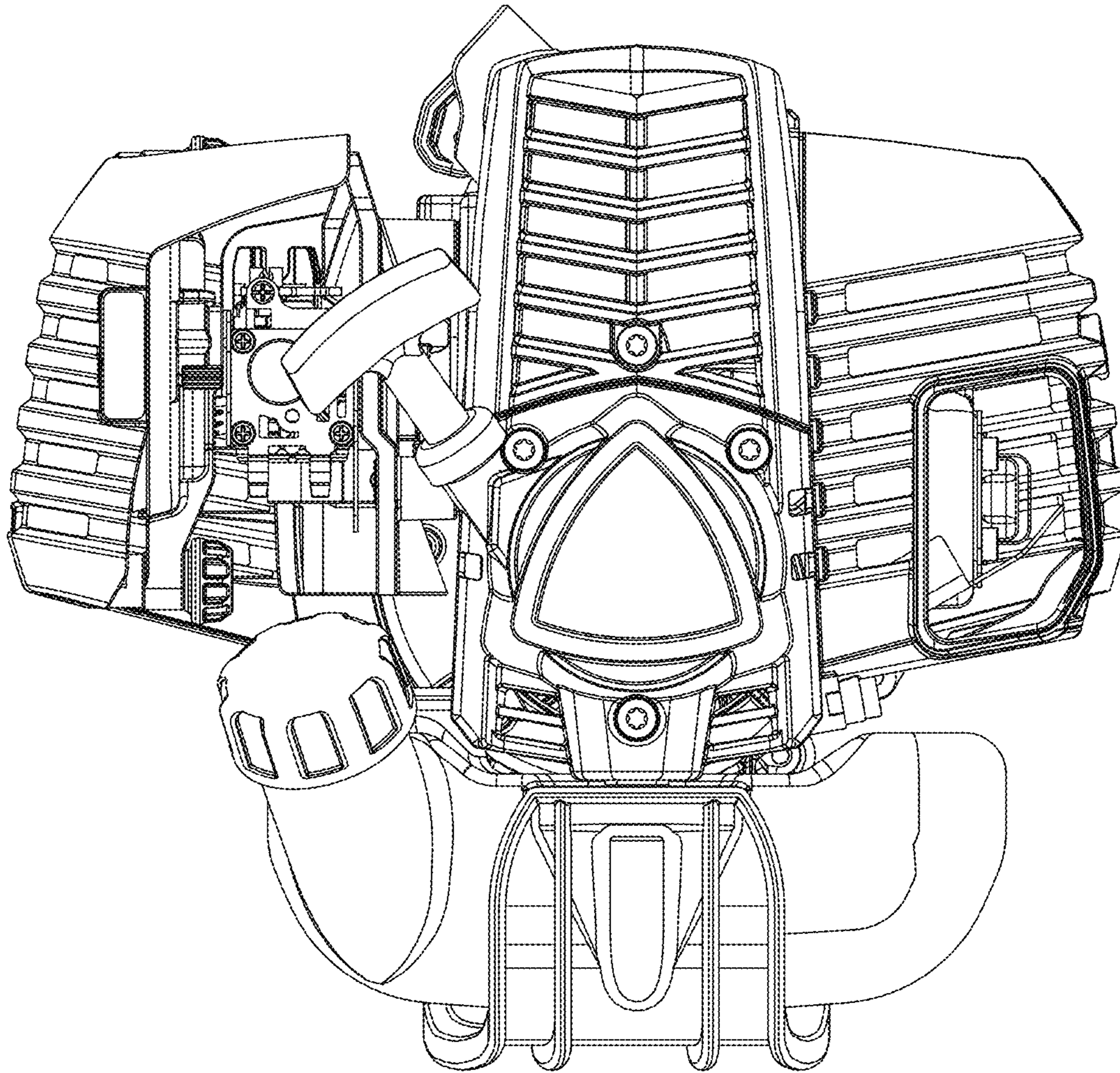


FIG. 2

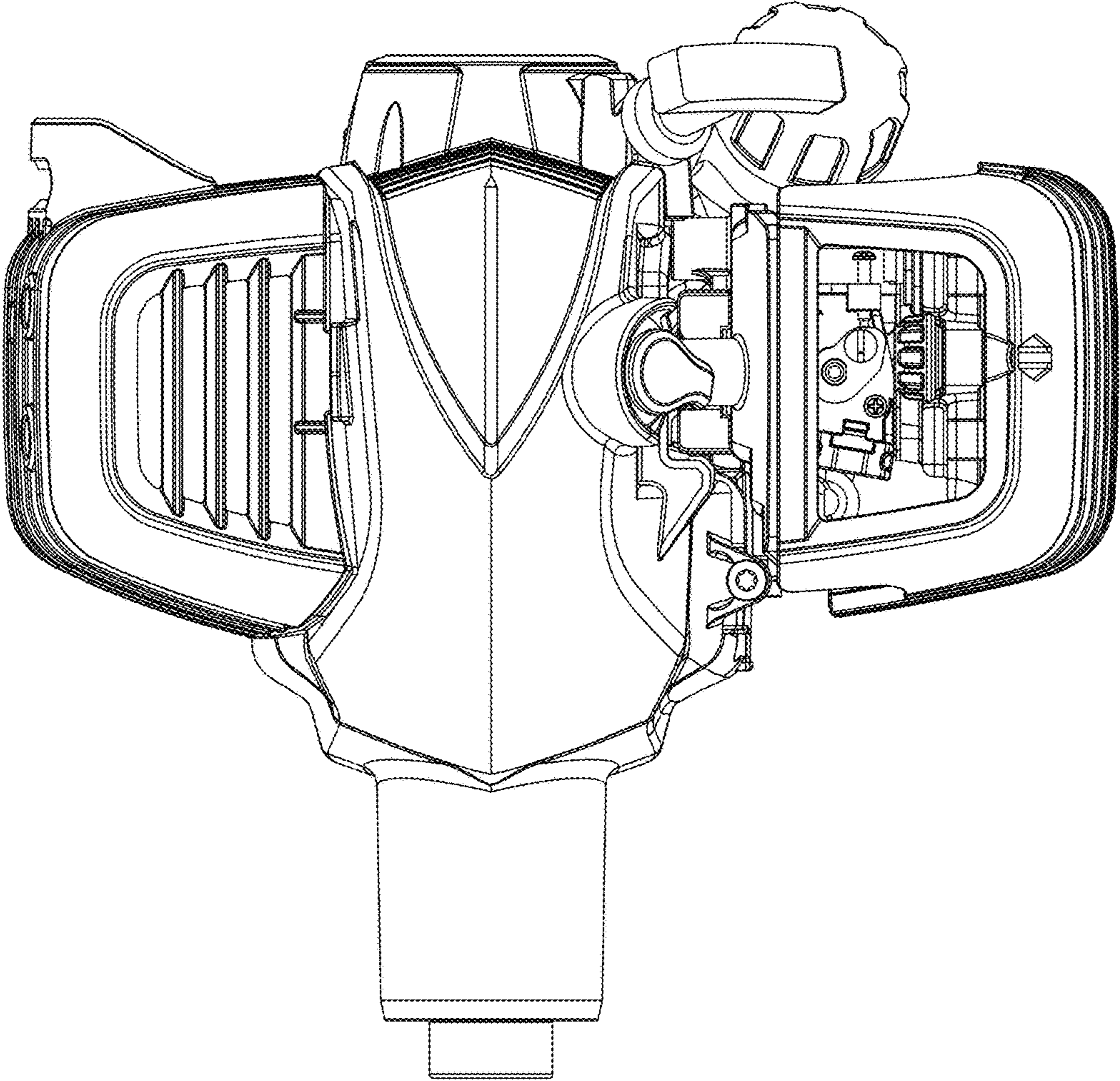


FIG. 3

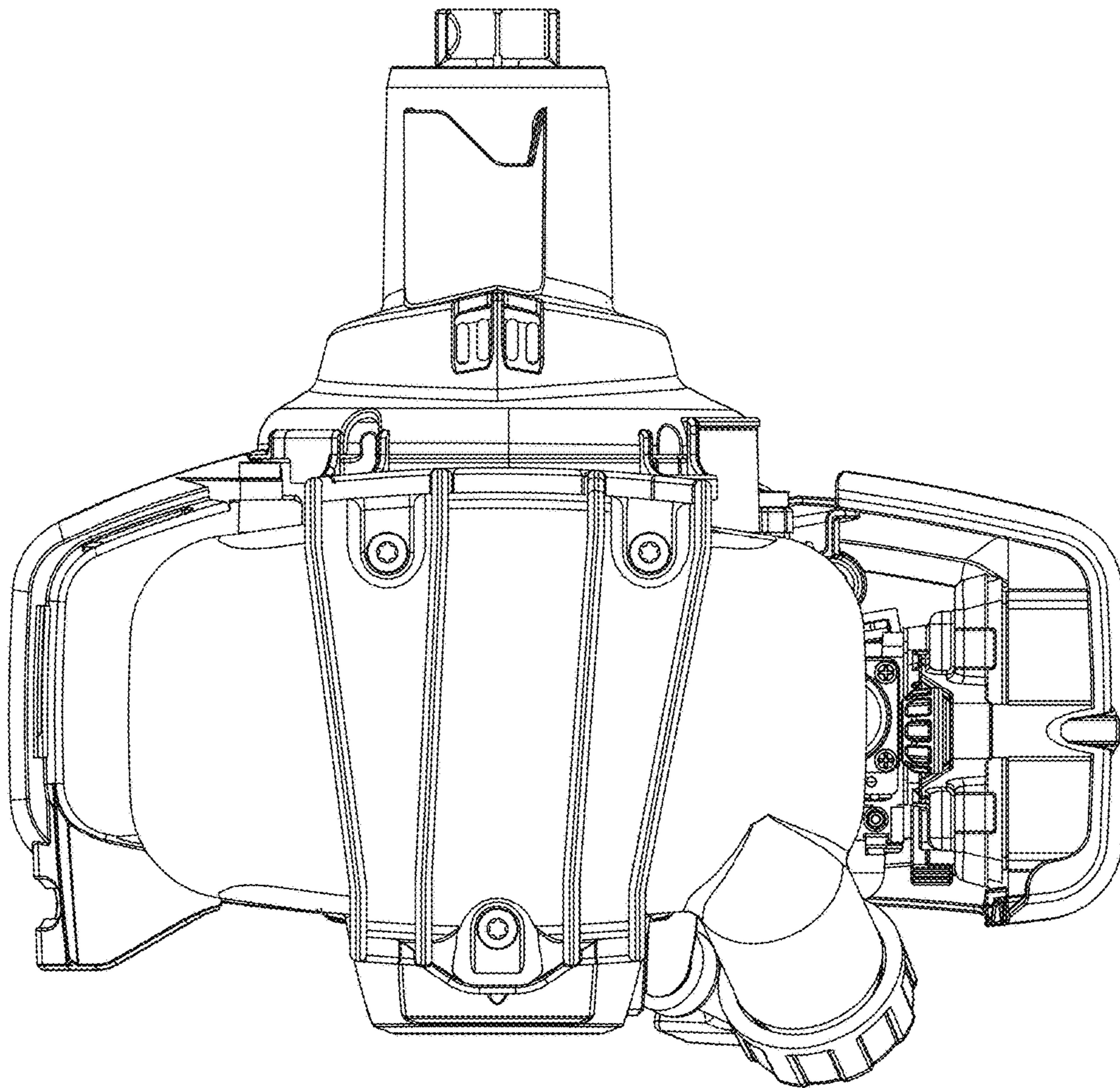


FIG. 4

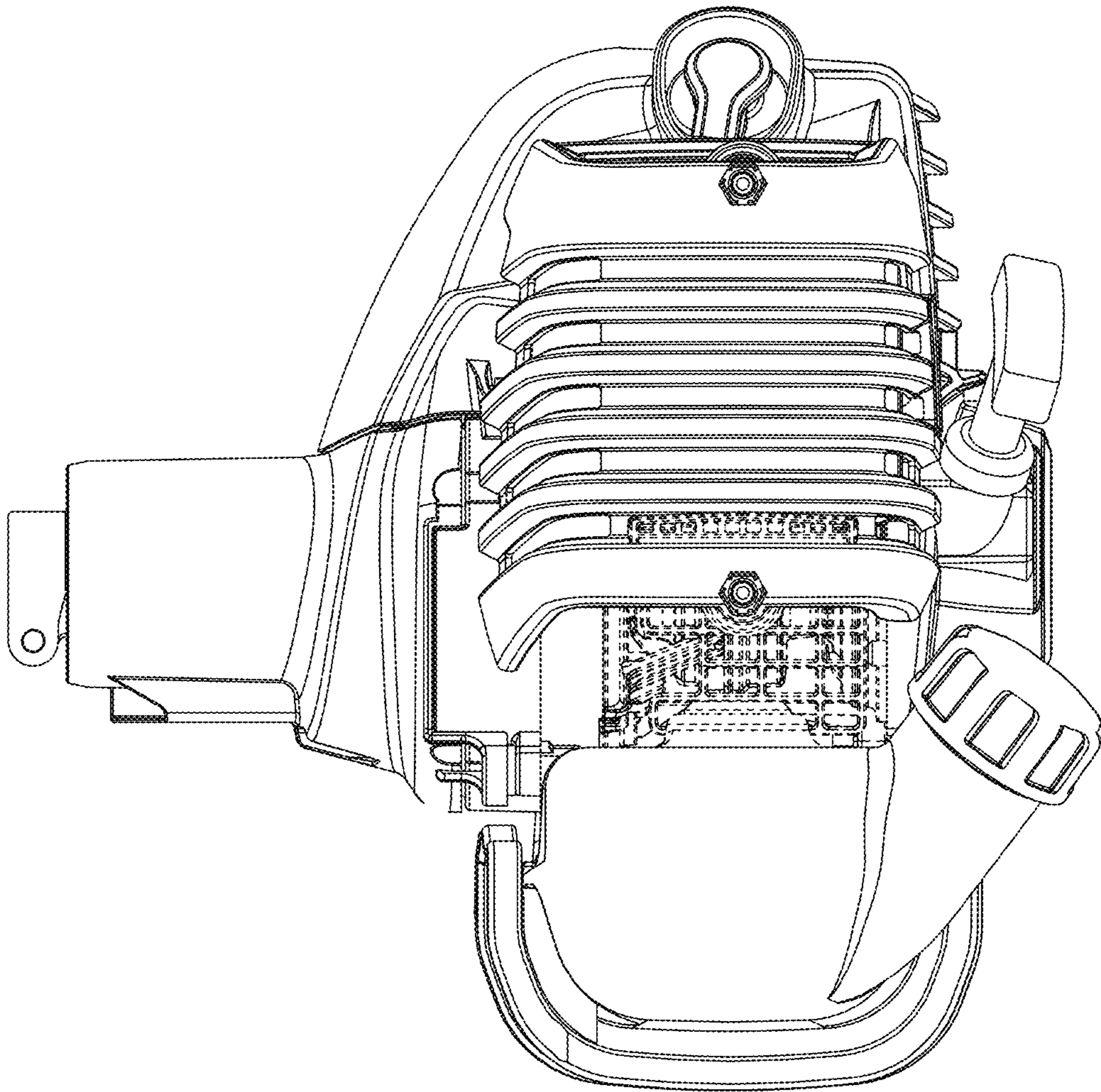


FIG. 5

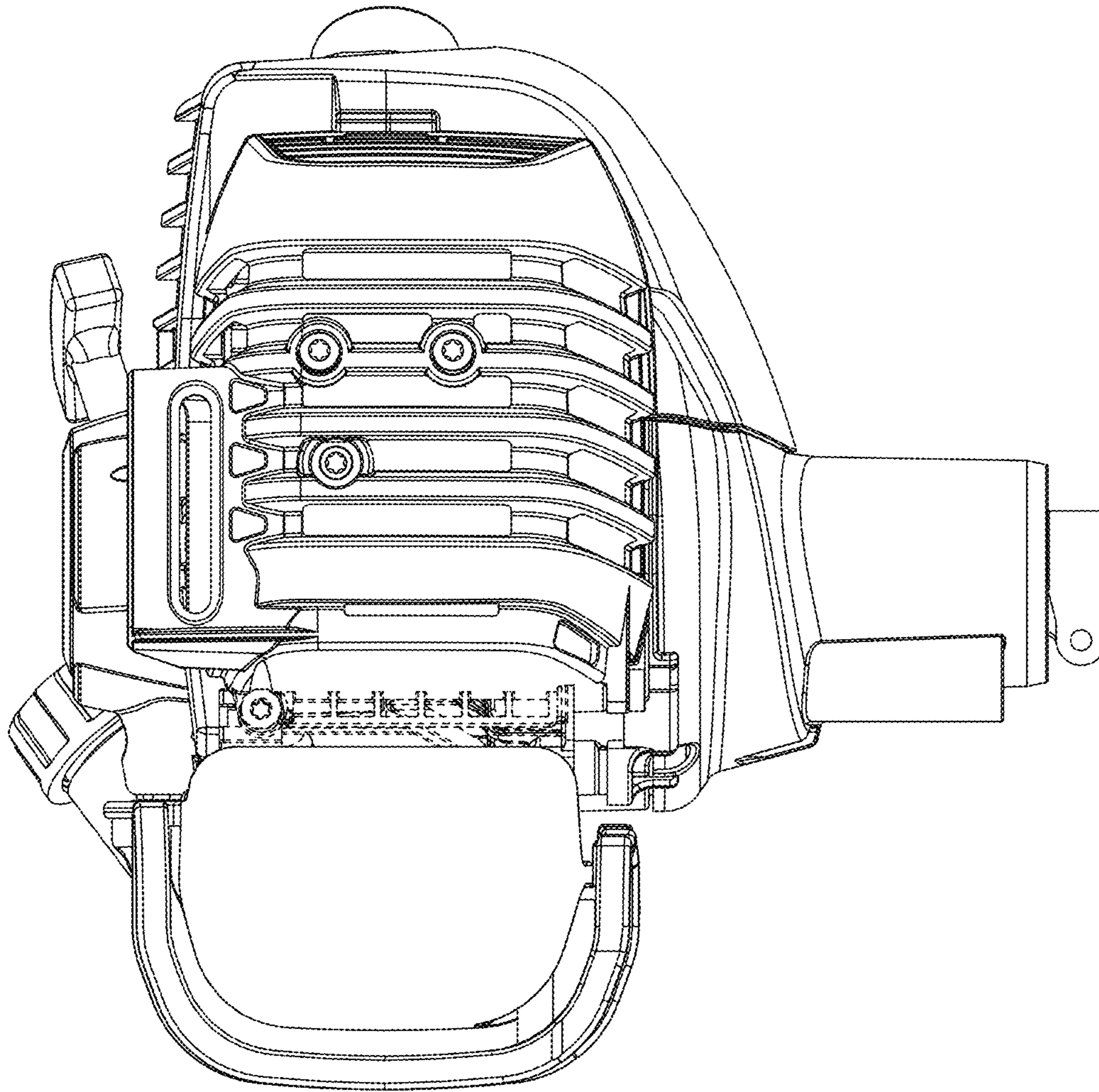


FIG. 6

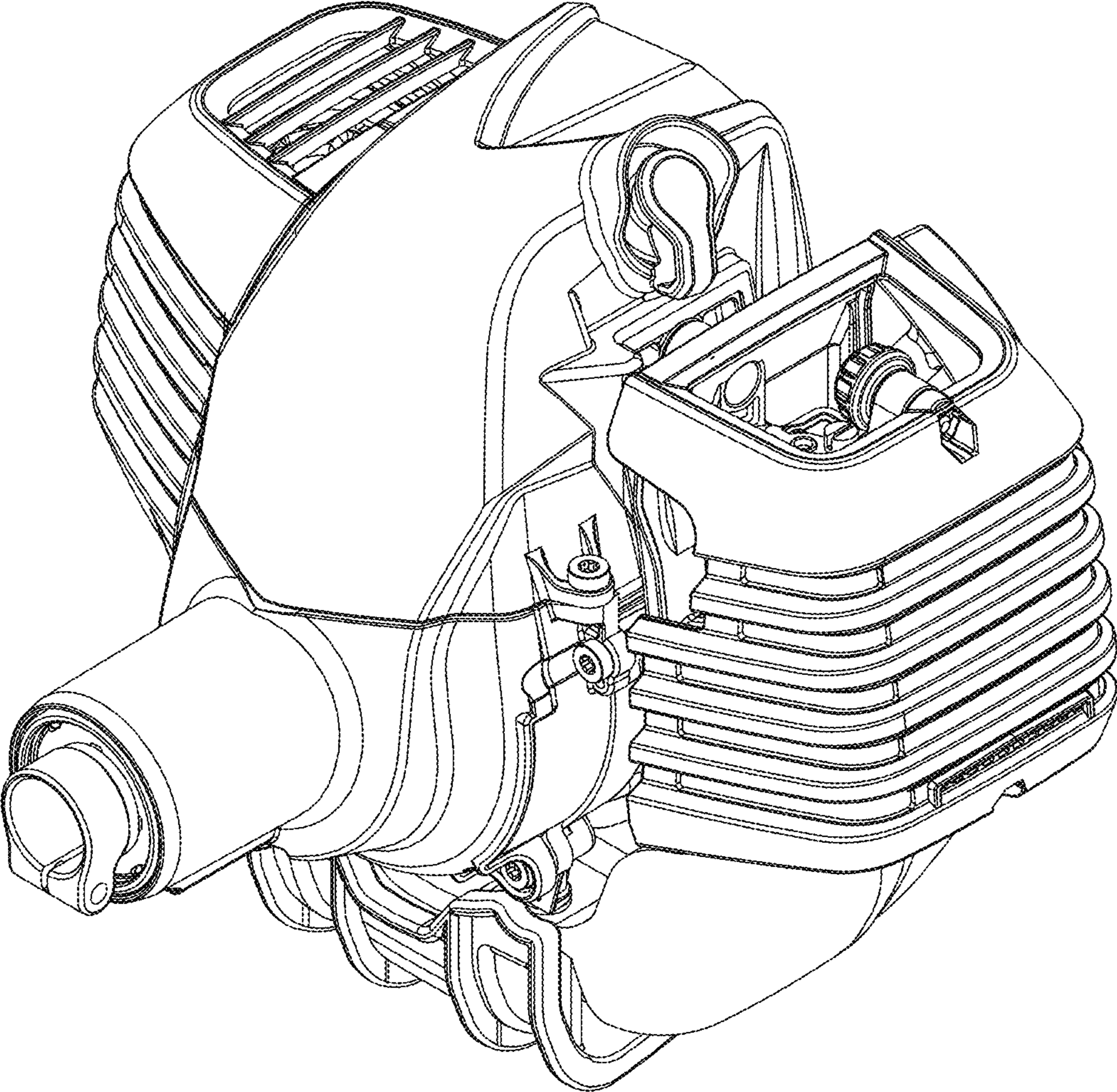


FIG. 7



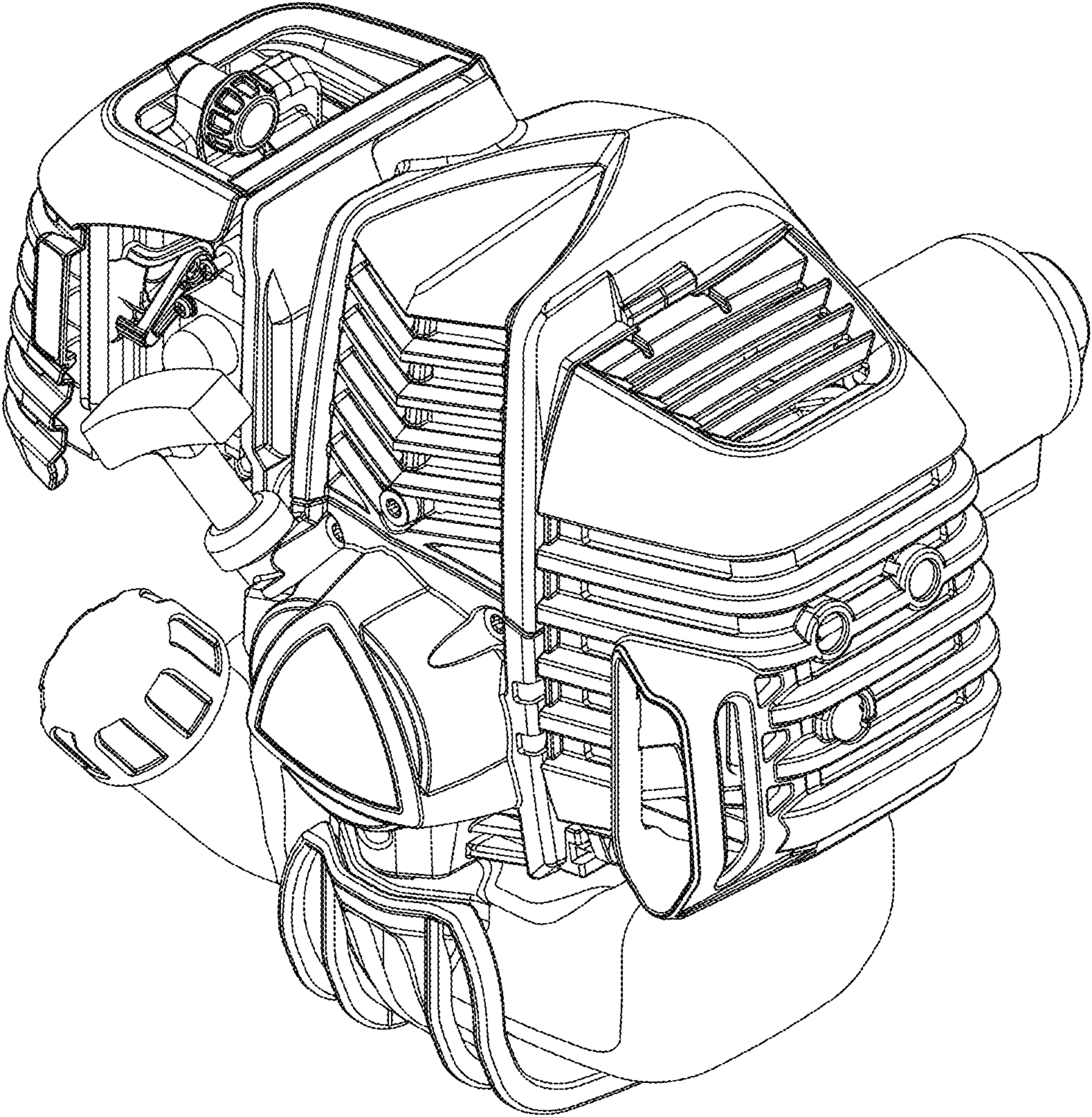


FIG. 8