



US00D788822S

(12) **United States Design Patent**  
**Nguyen et al.**

(10) **Patent No.:** **US D788,822 S**  
(45) **Date of Patent:** **\*\* Jun. 6, 2017**

(54) **ELECTRONIC DEVICE**

17/00; G06F 19/00; G07F 17/32; H04M 1/00

(71) Applicant: **Vocollect, Inc.**, Pittsburgh, PA (US)

See application file for complete search history.

(72) Inventors: **Vinh-Duy Thai Nguyen**, Pittsburgh, PA (US); **Bryan DiPiazza**, Belle Vernon, PA (US); **Matthew Shope**, Belle Vernon, PA (US); **Richard Sharbaugh**, New Kensington, PA (US); **Timothy Fox**, Pittsburgh, PA (US); **Fernando Aguirre-Petrilli**, Pittsburgh, PA (US)

(56) **References Cited**

U.S. PATENT DOCUMENTS

6,658,202	B1 *	12/2003	Battaglia	.....	H04N 1/2158
					358/909.1
6,733,329	B2	5/2004	Yang		
6,807,591	B2 *	10/2004	Kao	.....	G11B 20/10527
					710/74
D506,209	S *	6/2005	Leong	.....	D14/191
D511,519	S *	11/2005	Bone	.....	D14/480.1
7,052,287	B1	5/2006	Ni et al.		
7,074,052	B1	7/2006	Ni et al.		
D529,044	S *	9/2006	Andre	.....	D14/203.3

(Continued)

(73) Assignee: **Vocollect, Inc.**, Pittsburgh, PA (US)

*Primary Examiner* — Prabhakar Deshmukh

(\*\*) Term: **15 Years**

(74) *Attorney, Agent, or Firm* — Additon, Higgins & Pendleton, P.A.

(21) Appl. No.: **29/561,388**

(22) Filed: **Apr. 15, 2016**

(57) **CLAIM**

The ornamental design for an electronic device, as shown and described.

**Related U.S. Application Data**

(63) Continuation of application No. 29/513,410, filed on Dec. 30, 2014, now Pat. No. Des. 754,205.

**DESCRIPTION**

(51) **LOC (10) Cl.** ..... **14-03**

The present application is related to U.S. patent application Ser. No. 29/513,411 for an Electronic Device filed December 30, 2014, now U.S. Pat. No. D. 754,206. Each of the foregoing patent application and patent is hereby incorporated by reference in its entirety.

(52) **U.S. Cl.**

USPC ..... **D14/496**; D14/203.3

FIG. 1 is a top-left-front perspective view of an electronic device, showing our new design.

(58) **Field of Classification Search**

USPC ..... D14/496, 401, 435, 474, 483, 217, 137, D14/138, 160, 168, 356, 203.1–203.8, D14/507; 345/156, 169, 173–179, 905; 715/727–729, 864; 710/1, 5, 8; 713/1, 713/600; 455/1.1, 1.7, 73, 344–347, 93, 455/95, 3.01–3.06, 550.1, 573.1; 370/342–344; 369/1, 2, 6–12; 463/43–47; 273/148 B

FIG. 2 is a bottom-left-front perspective view of the electronic device.

FIG. 3 is a front elevation view of the electronic device.

FIG. 4 is a rear elevation view of the electronic device.

FIG. 5 is a left elevation view of the electronic device.

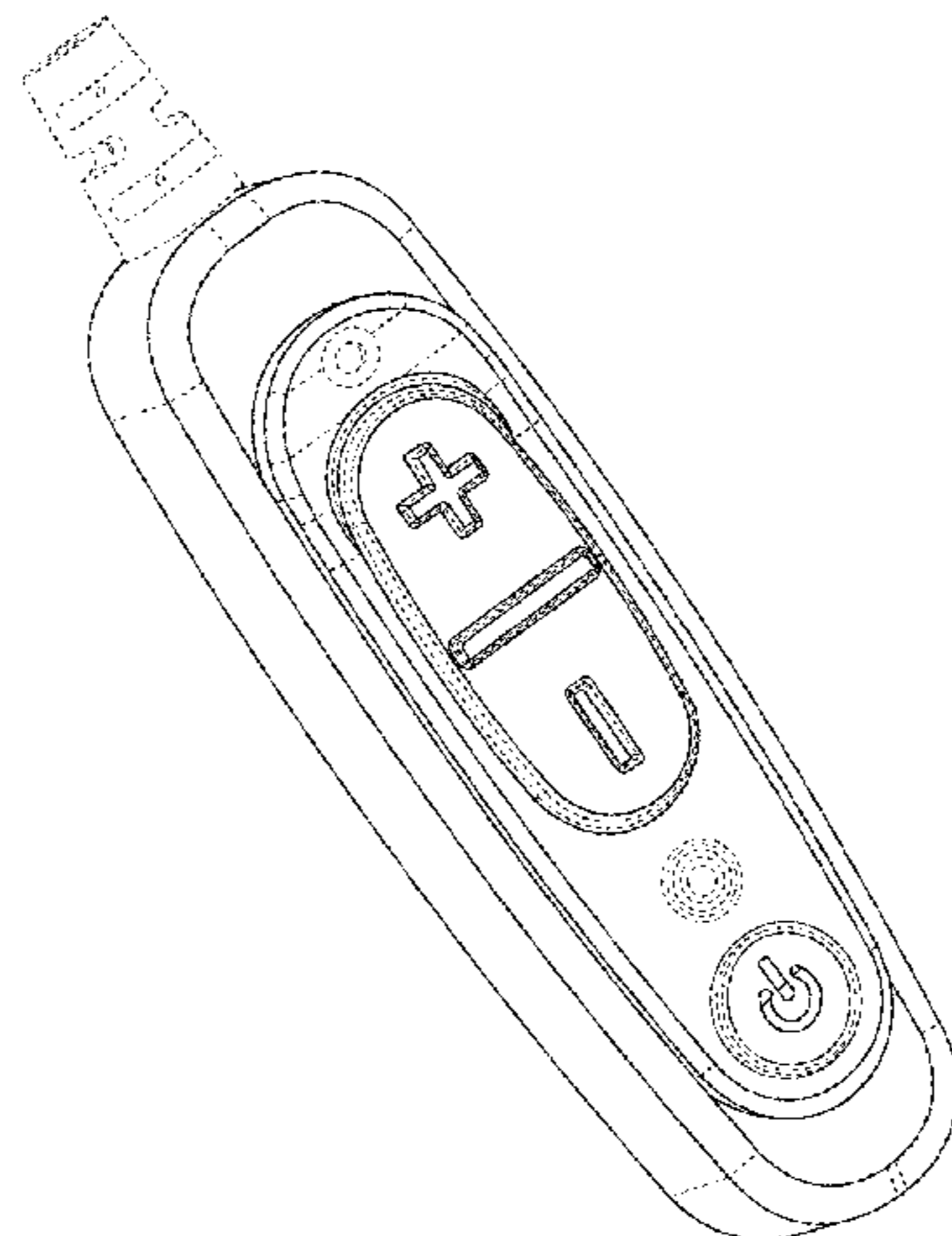
FIG. 6 is a right elevation view of the electronic device.

FIG. 7 is a top plan of the electronic device; and,

FIG. 8 is a bottom plan view of the electronic device.

CPC .... A63F 9/00; A63F 9/24; A63F 13/00; G06F

(Continued)



The broken lines indicate unclaimed portions and form no part of the claimed design.

**1 Claim, 8 Drawing Sheets**

(56)

**References Cited**

U.S. PATENT DOCUMENTS

D537,808	S	*	3/2007	Lee	.....	D14/203.7
7,203,529	B2	*	4/2007	Kim	.....	H04N 1/2112 348/E7.079
D556,210	S		11/2007	Choi et al.		
D558,783	S	*	1/2008	Andre	.....	D14/496
D563,434	S		3/2008	Dai		
D592,227	S	*	5/2009	Oh	.....	D14/496
D597,068	S		7/2009	Whang		
D607,873	S	*	1/2010	Lee	.....	D14/203.3
7,856,255	B2	*	12/2010	Tsuchiya	.....	G06F 1/1616 200/11 TW
D639,773	S	*	6/2011	Kang	.....	D14/203.3
D643,401	S		8/2011	Chen et al.		
D662,488	S		6/2012	Yeo		
D688,272	S		8/2013	Lee		
D688,706	S	*	8/2013	Lee	.....	D14/496
D702,732	S		4/2014	Wu		
D754,205	S		4/2016	Nguyen et al.		
D754,206	S		4/2016	Nguyen et al.		

\* cited by examiner

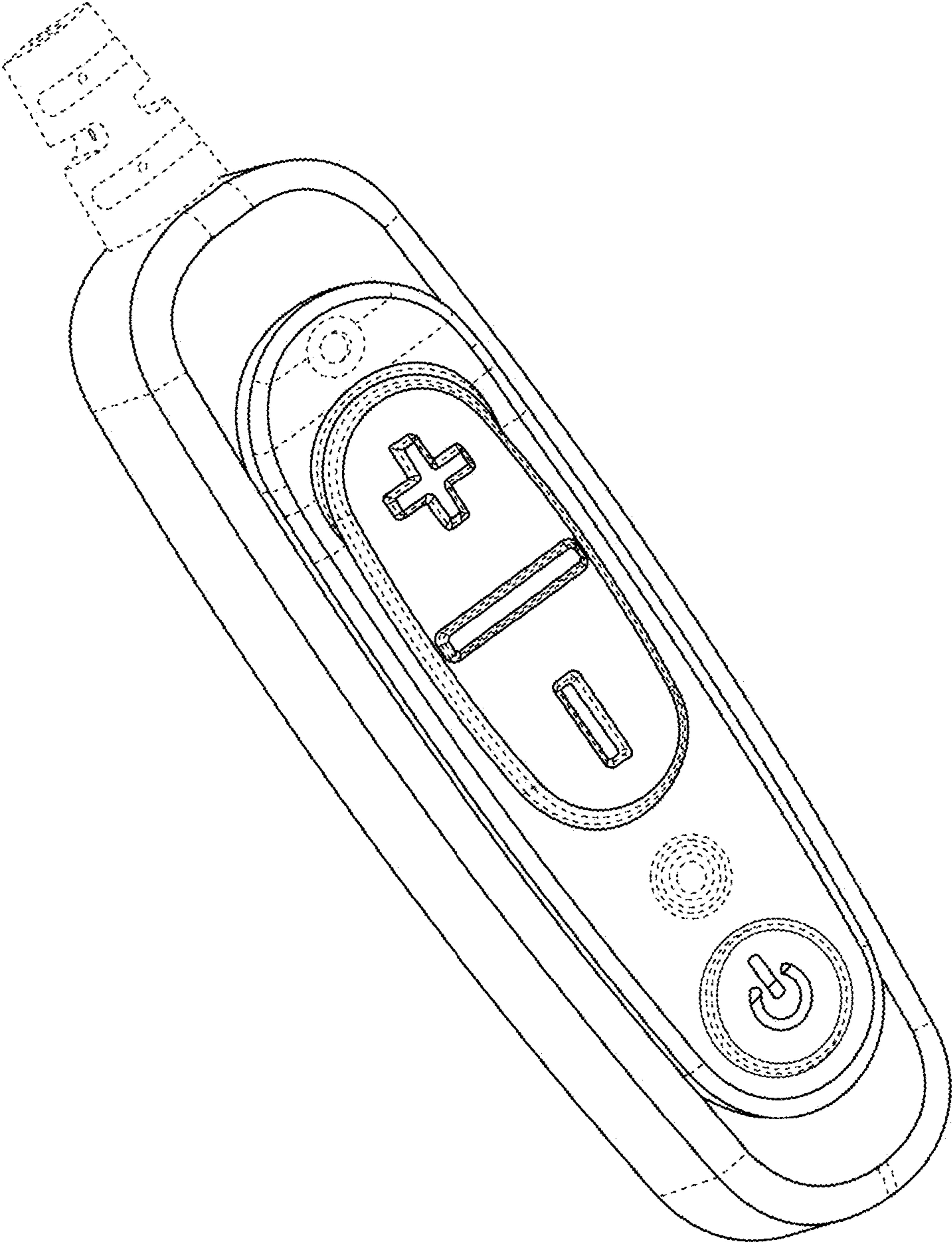


FIG. 1

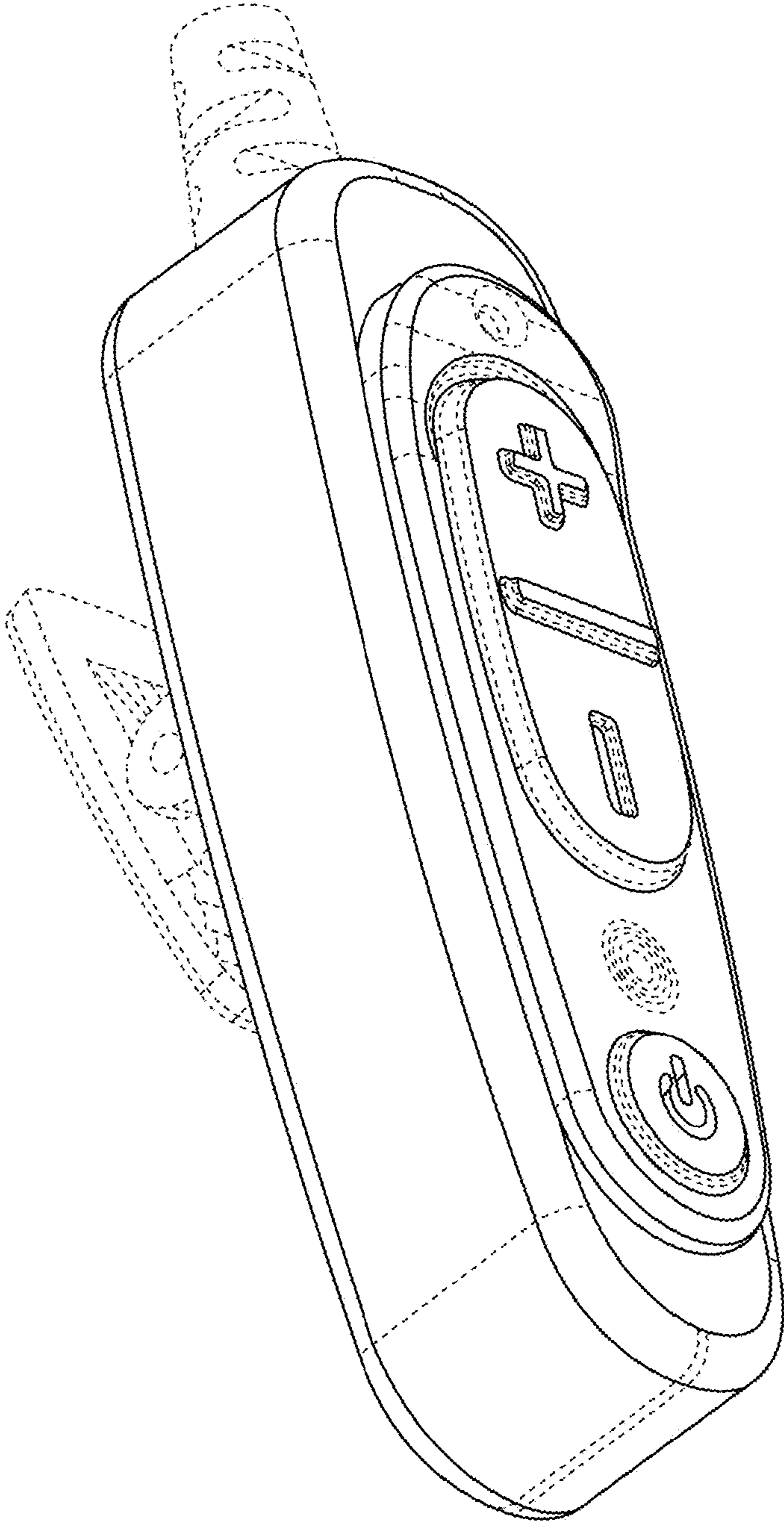


FIG. 2

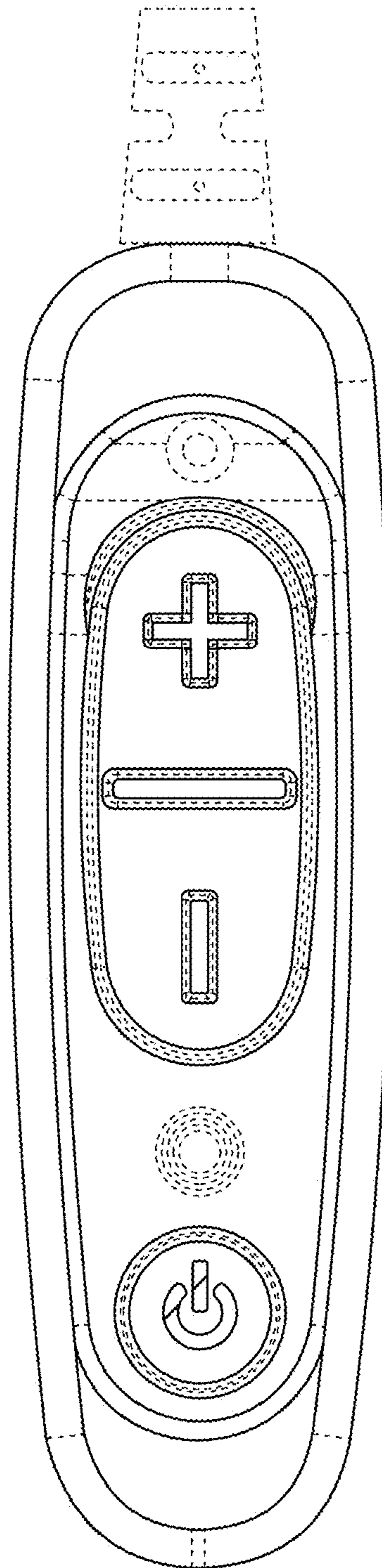


FIG. 3

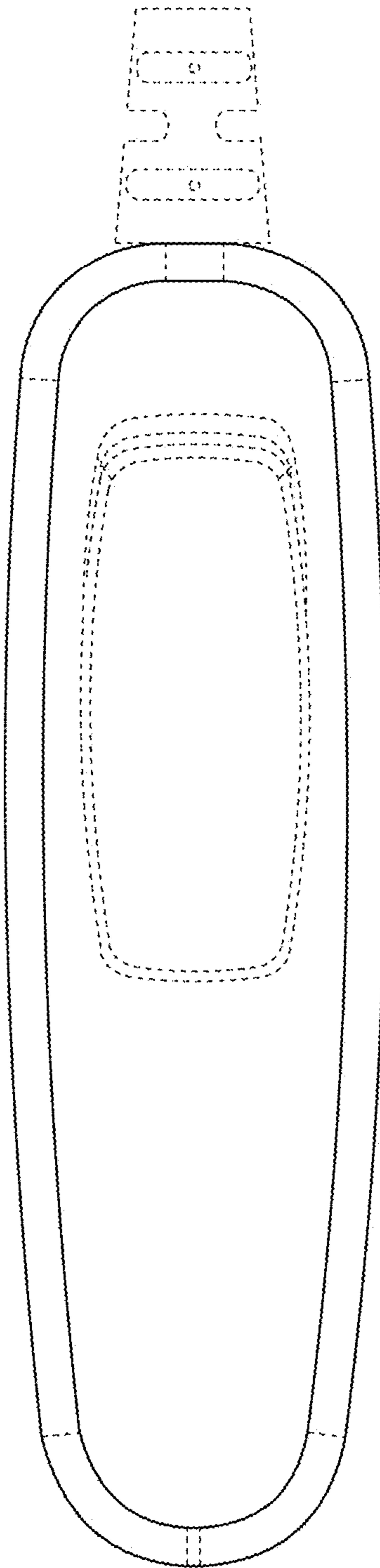


FIG. 4

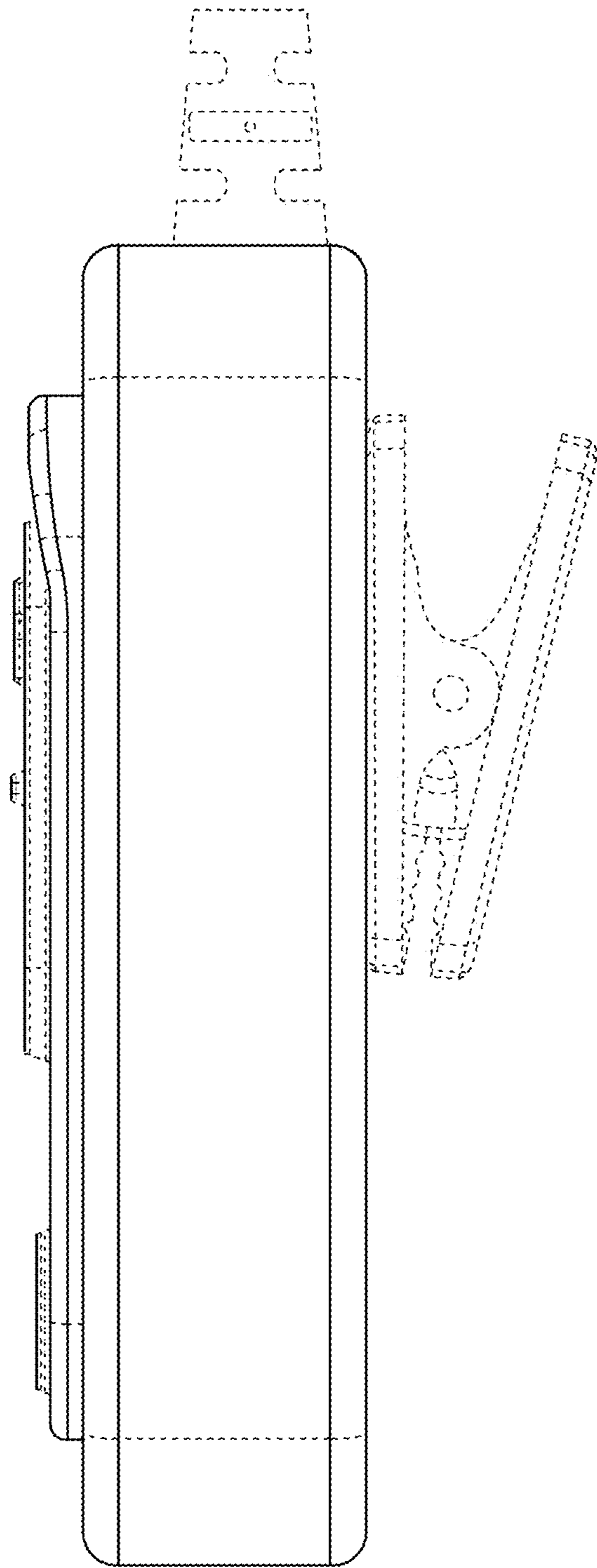


FIG. 5

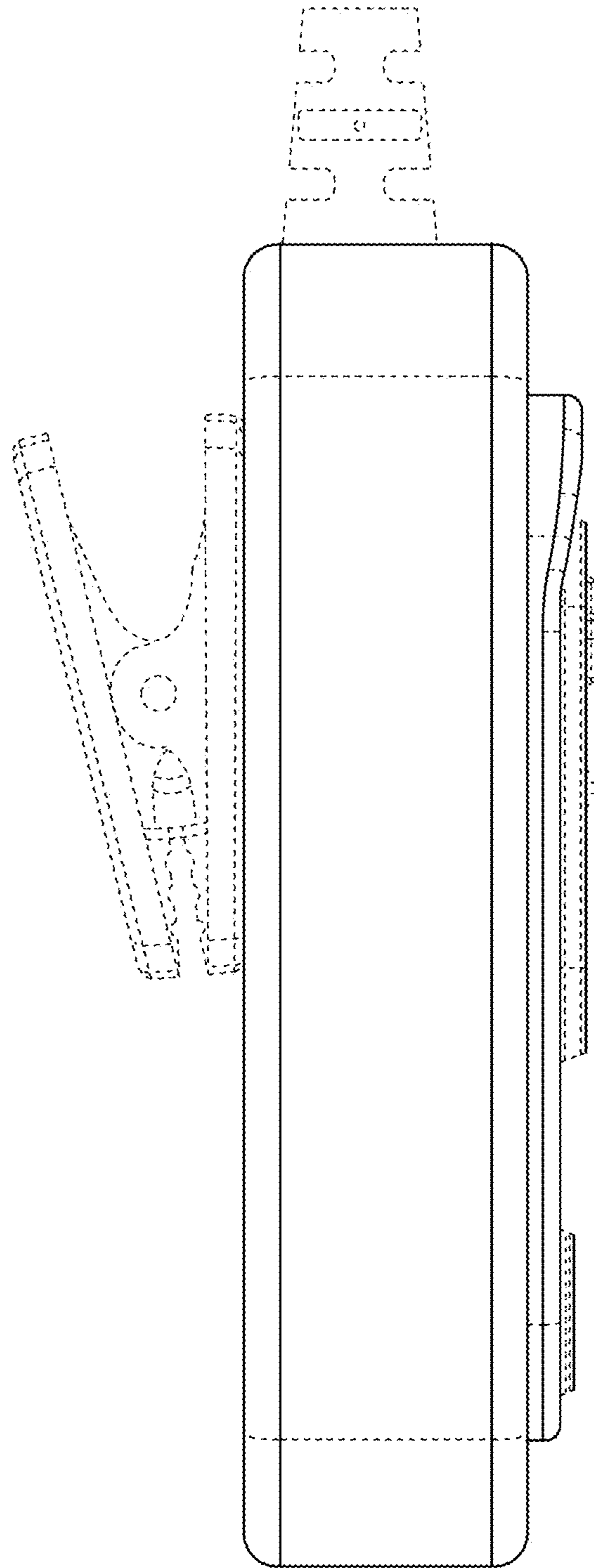
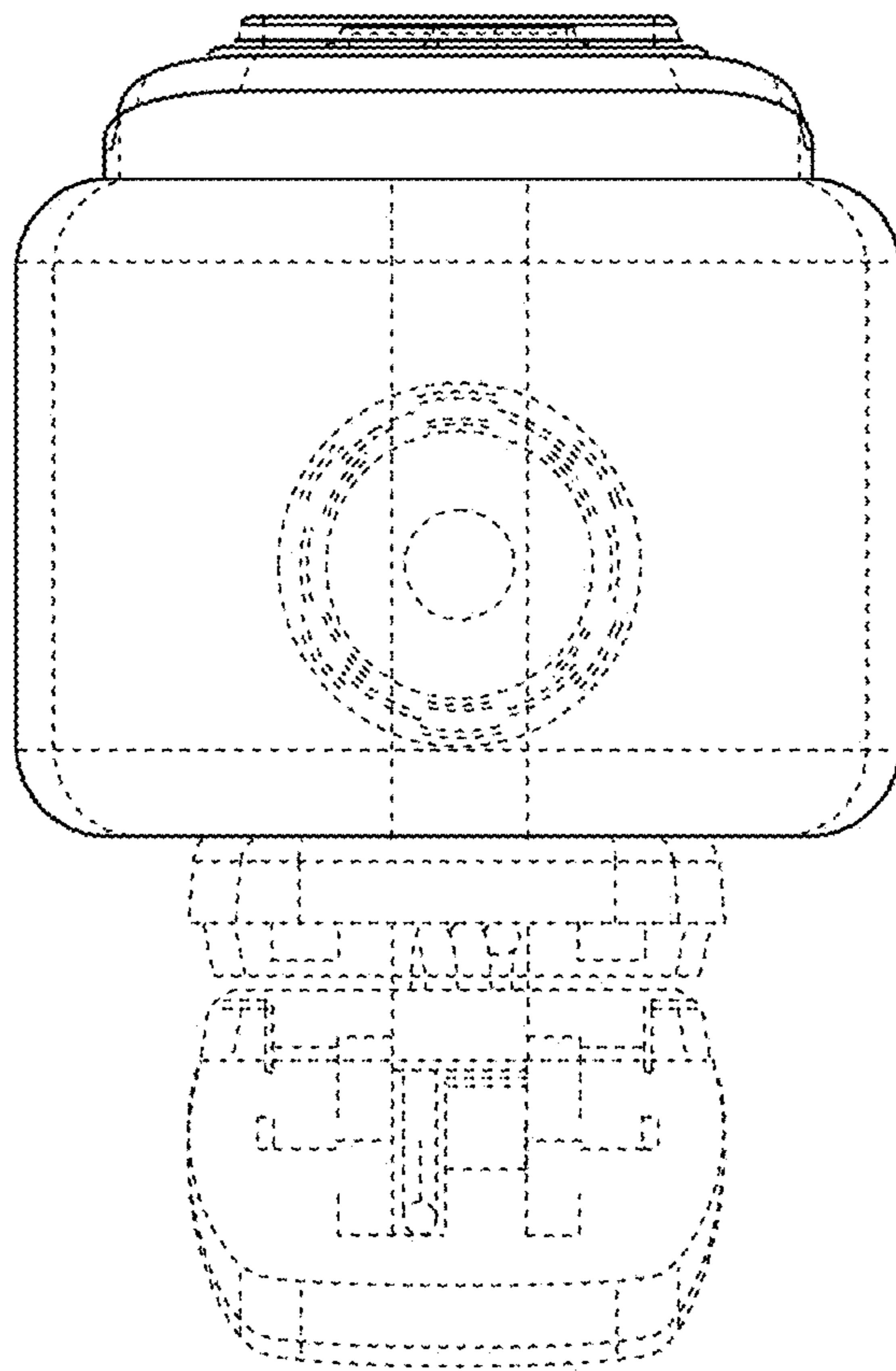


FIG. 6





**FIG. 7**

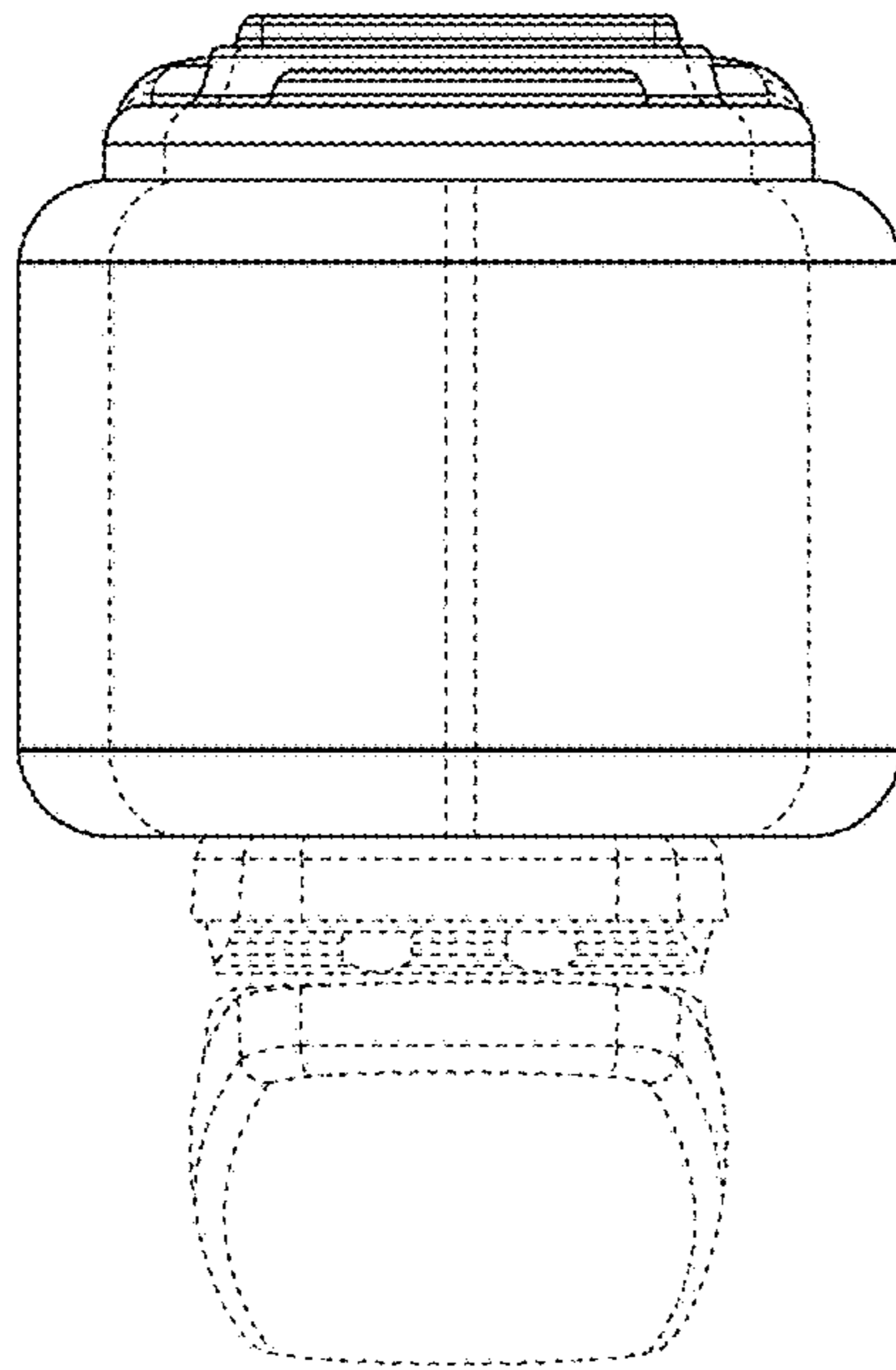


FIG. 8