

US00D788820S

(12) **United States Design Patent**
Beck et al.

(10) **Patent No.:** **US D788,820 S**
(45) **Date of Patent:** **** *Jun. 6, 2017**

- (54) **MEDIA STREAMING DEVICE**
- (71) Applicant: **GOOGLE INC.**, Mountain View, CA (US)
- (72) Inventors: **Kristen Beck**, San Mateo, CA (US);
Michael Jon Sundermeyer, Palo Alto, CA (US); **Micah Thomas Collins**, Mountain View, CA (US)
- (73) Assignee: **Google Inc.**, Mountain View, CA (US)
- (*) Notice: This patent is subject to a terminal disclaimer.
- (**) Term: **15 Years**
- (21) Appl. No.: **29/539,940**
- (22) Filed: **Sep. 18, 2015**
- (51) **LOC (10) Cl.** **14-03**
- (52) **U.S. Cl.**
USPC **D14/496; D14/203.6**
- (58) **Field of Classification Search**
USPC D14/432, 434, 447, 357, 299, 496, D14/203.1–203.8, 149, 155, 157, 188, D14/209.1, 217; D21/324, 328, 332, 333; 361/600, 679–686; 320/114, 115; 345/156–161, 905, 901; 439/529, 534, 439/929; 455/556.2, 557; 348/14.01–14.1, 211.12, 211.13; 386/235, 200, 239; 715/751, 753; 725/143, 151, 153, 135; 709/204, 211, 709/217
CPC G06F 1/16; G06F 5/00; G06F 3/00; H04N 5/225; H04N 5/40; G05F 3/048
See application file for complete search history.

- D502,154 S * 2/2005 Peng D14/126
- D527,017 S * 8/2006 Kim D14/203.6
- D531,159 S * 10/2006 Park D14/203.3
- D533,187 S 12/2006 Lee
- 7,277,272 B2 * 10/2007 Hsiung G11B 17/051
361/679.01
- D578,546 S 10/2008 Fullerton
- 7,525,289 B2 * 4/2009 Janik G06F 17/30749
320/132
- 7,533,367 B2 * 5/2009 Balsiger G06F 9/4443
715/273
- 7,733,393 B2 * 6/2010 Yoshida H04N 5/3595
348/245
- D631,893 S 2/2011 Ward et al.
- D647,917 S * 11/2011 Voorhees D14/203.3
- D710,386 S 8/2014 Aglassinger
- 9,015,334 B2 * 4/2015 Harris G06Q 30/02
709/231

(Continued)

Primary Examiner — Prabhakar Deshmukh
(74) *Attorney, Agent, or Firm* — Brake Hughes
Bellermann LLP

(57) **CLAIM**

The ornamental design for a media streaming device, as shown and described.

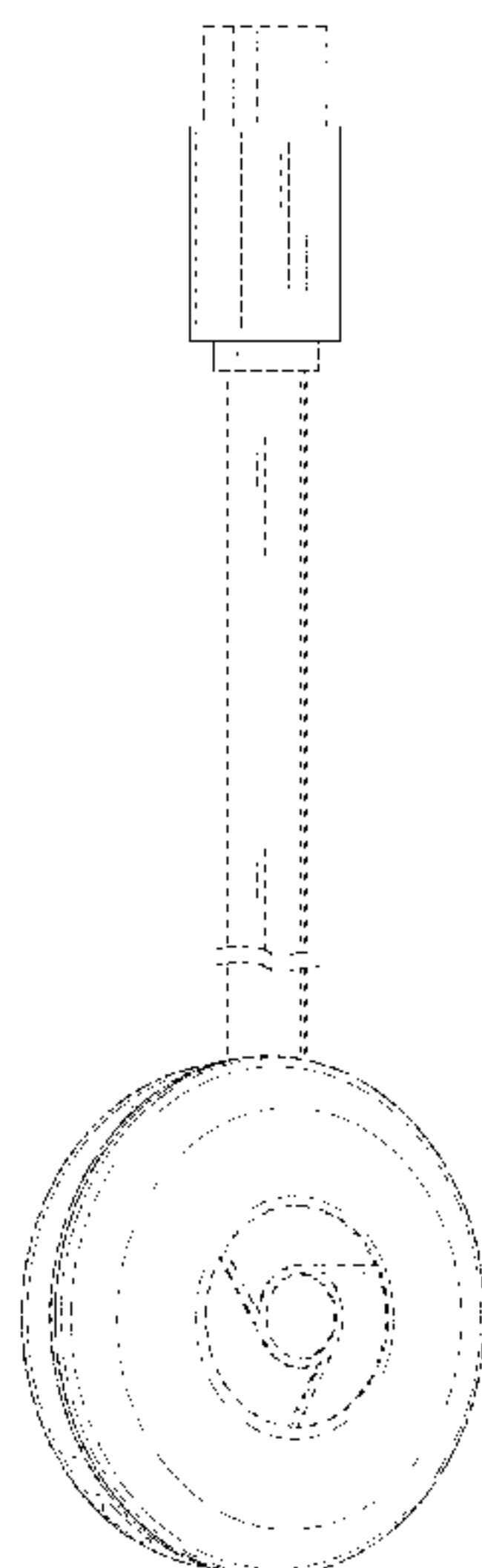
DESCRIPTION

FIG. 1 is a perspective view of a media streaming device showing our new design;
FIG. 2 is front elevational view thereof;
FIG. 3 is a rear elevational view thereof;
FIG. 4 is a left side elevational view thereof;
FIG. 5 is a right side elevational view thereof;
FIG. 6 is a top plan view thereof; and,
FIG. 7 is a bottom plan view thereof.
The broken lines illustrate unclaimed portions and form no part of the claimed design. The break lines indicate undetermined length of the strap. The portion between the break lines forms no part of the claimed design.

1 Claim, 6 Drawing Sheets

(56) **References Cited**
U.S. PATENT DOCUMENTS

- 6,591,085 B1 7/2003 Grady
- D487,887 S * 3/2004 Hutchinson D14/508



(56)

References Cited

U.S. PATENT DOCUMENTS

9,112,849	B1	8/2015	Werkelin Ahlin et al.	
9,131,260	B2	9/2015	Klarke et al.	
9,252,950	B2	2/2016	Caspi	
9,271,033	B2	2/2016	Arling et al.	
9,276,967	B2 *	3/2016	Casey	H04N 21/2662
9,286,854	B2 *	3/2016	Klarke	H04N 21/6125
D754,126	S *	4/2016	Xiong	D14/341

* cited by examiner

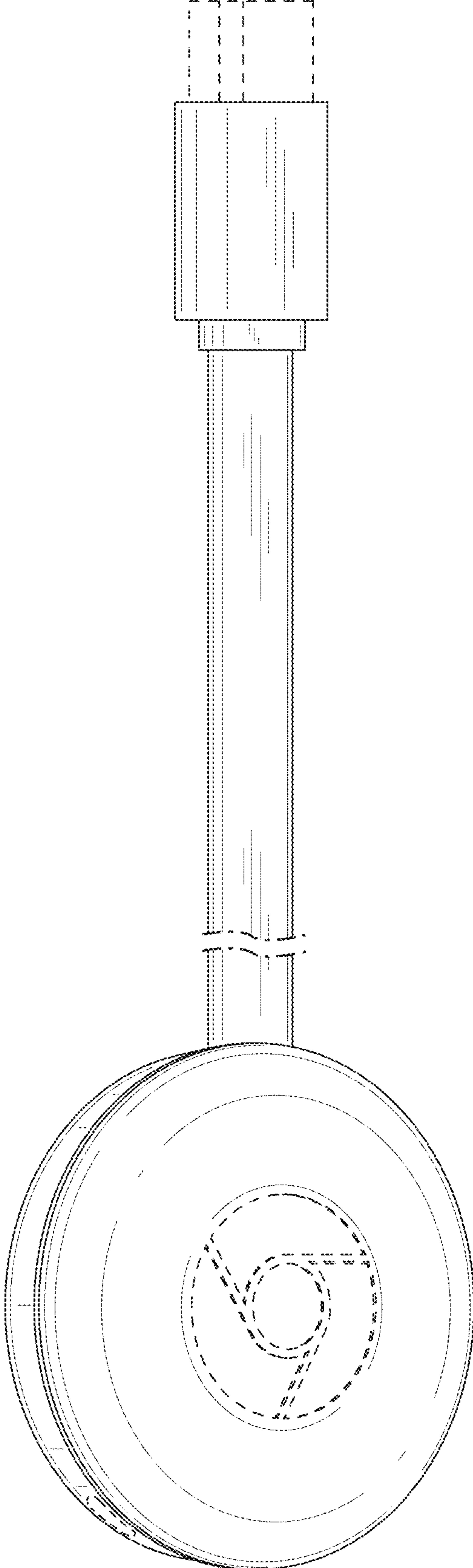


FIG. 1

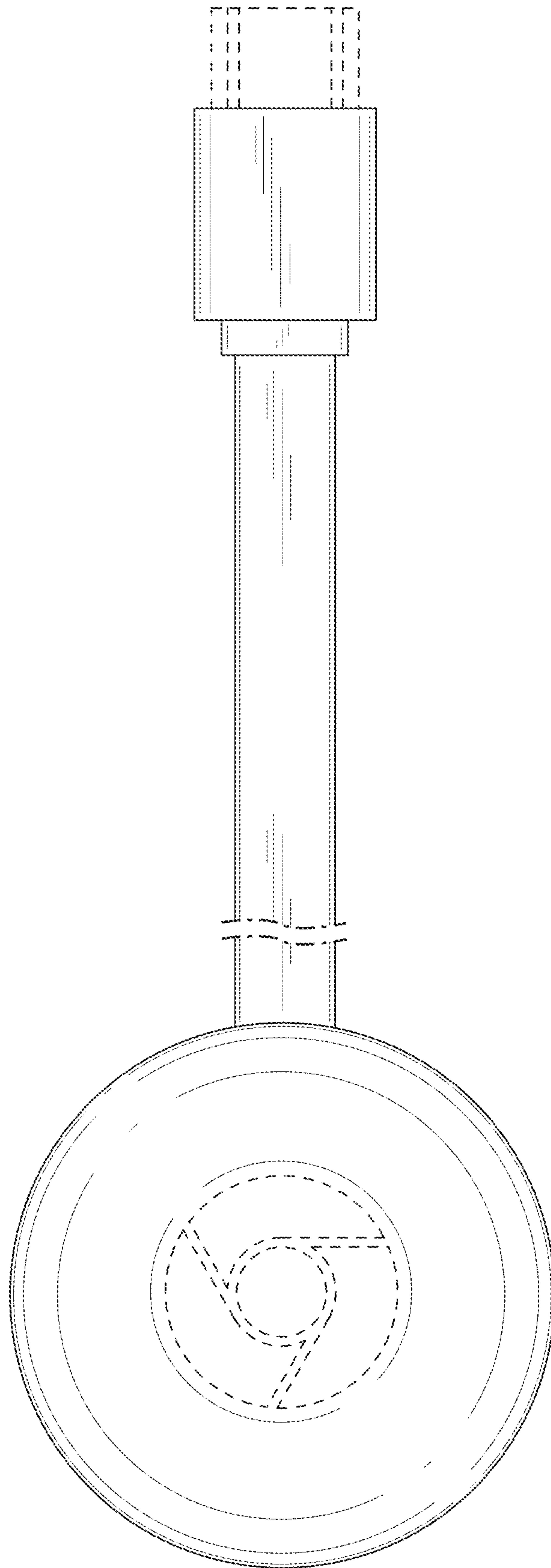


FIG. 2

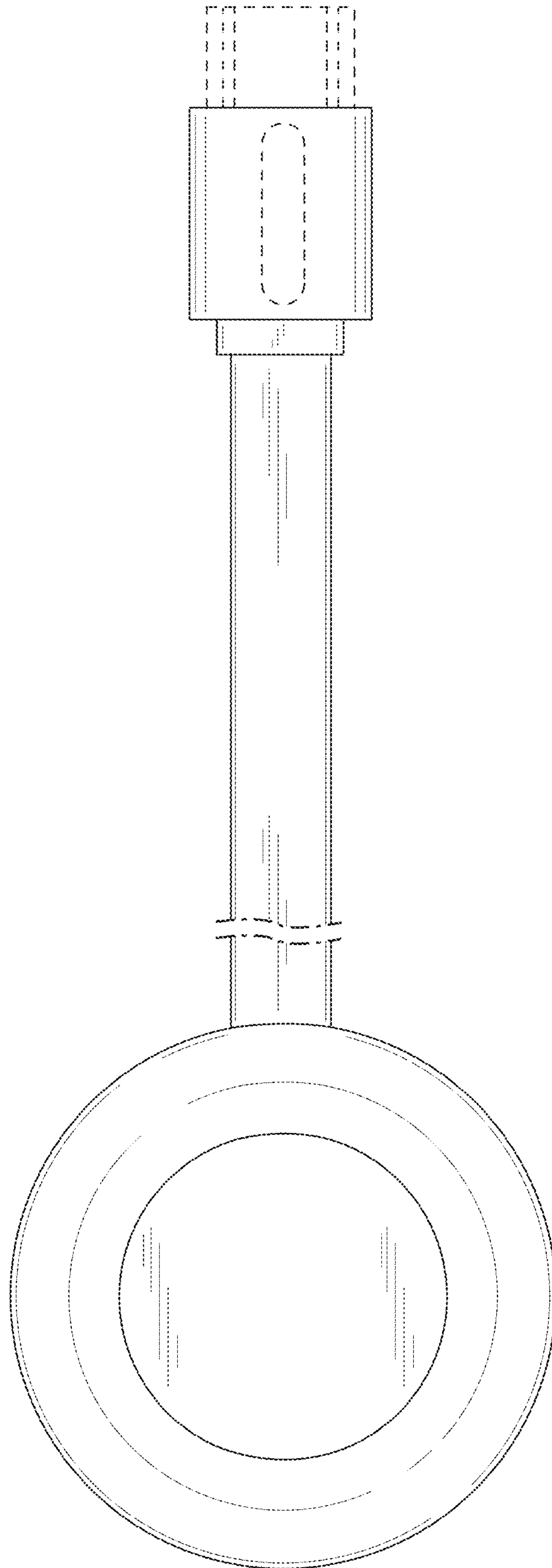


FIG. 3

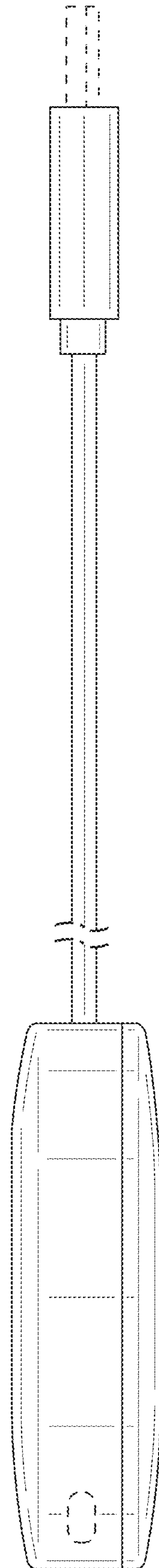


FIG. 4

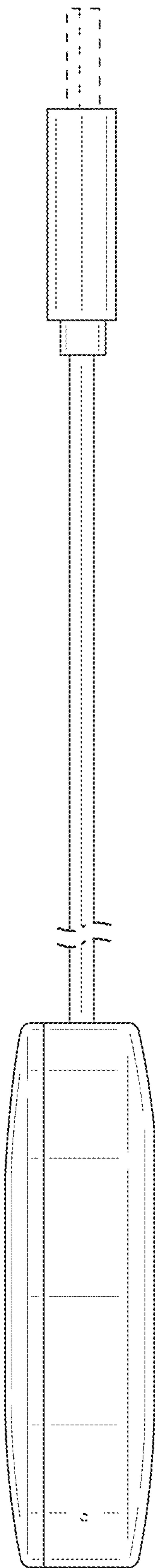


FIG. 5

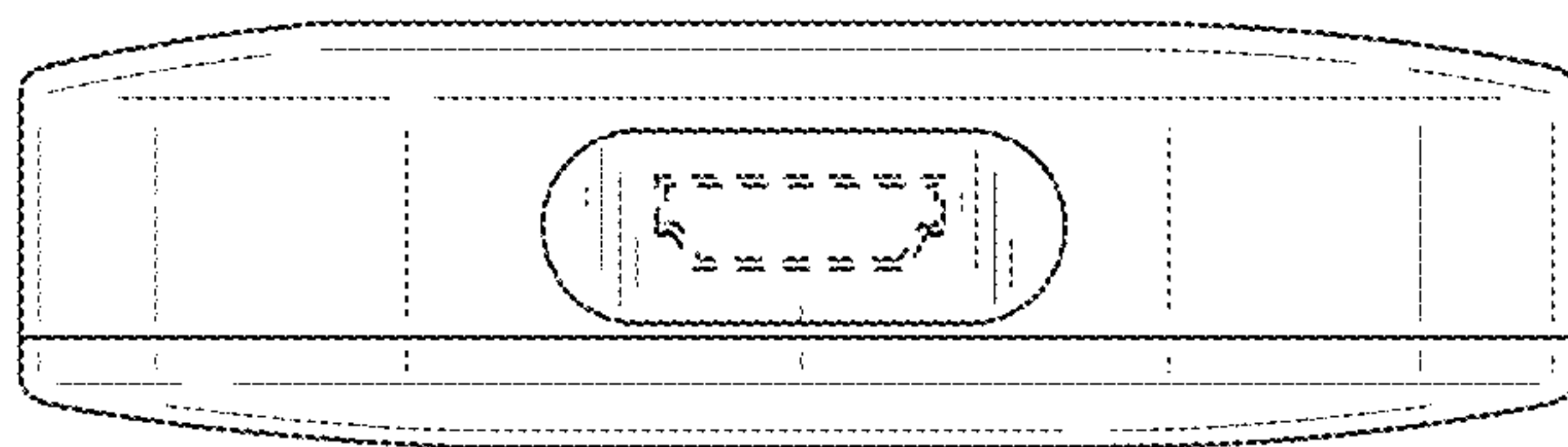


FIG. 6

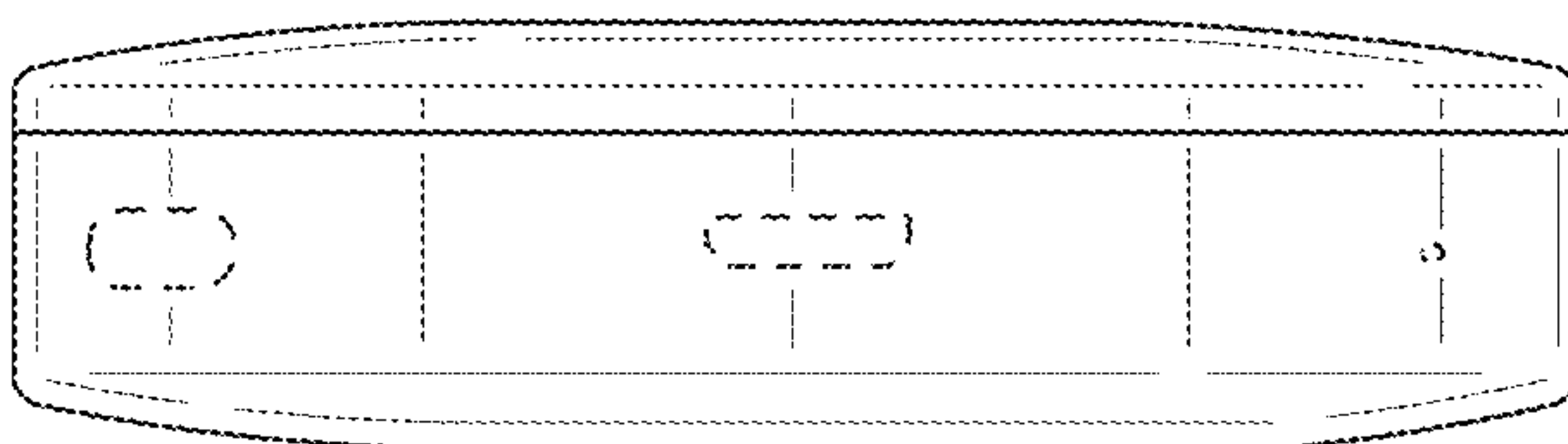


FIG. 7