



US00D788819S

(12) **United States Design Patent**  
**Lee et al.**

(10) **Patent No.:** **US D788,819 S**  
(45) **Date of Patent:** **\*\* Jun. 6, 2017**

(54) **VIRTUAL REALITY DEVICE**  
(71) Applicant: **LG ELECTRONICS INC.**, Seoul (KR)  
(72) Inventors: **Younghwan Lee**, Seoul (KR); **Jinwan Bae**, Seoul (KR); **Junghoon Lee**, Seoul (KR)  
(73) Assignee: **LG ELECTRONICS INC.**, Seoul (KR)  
(\*\*) Term: **15 Years**

D581,428 S \* 11/2008 Huang ..... D14/356  
D625,719 S \* 10/2010 Carroll ..... D14/240  
D671,116 S \* 11/2012 Phillips ..... D14/301  
9,396,588 B1 \* 7/2016 Li ..... G06F 3/011  
9,414,907 B2 \* 8/2016 Wortz  
D776,658 S \* 1/2017 Zhu ..... D14/385  
9,548,014 B2 \* 1/2017 Tanaka ..... G09G 3/003  
(Continued)

*Primary Examiner* — Prabhakar Deshmukh  
(74) *Attorney, Agent, or Firm* — Birch, Stewart, Kolasch & Birch, LLP

(21) Appl. No.: **29/535,599**  
(22) Filed: **Aug. 7, 2015**  
(30) **Foreign Application Priority Data**

(57) **CLAIM**

The ornamental design for a virtual reality device, as shown and described.

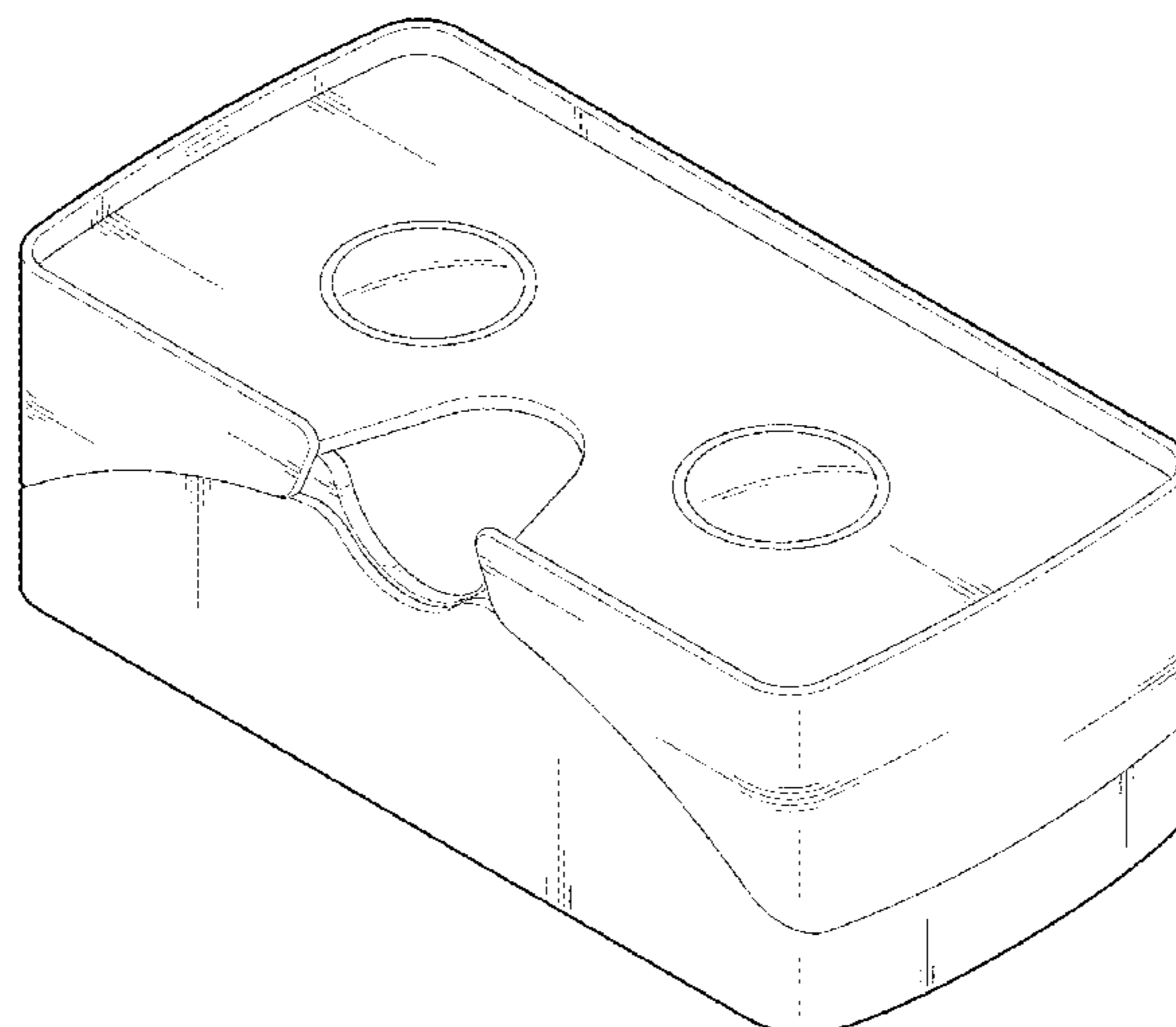
Feb. 9, 2015 (KR) ..... 30-2015-0006955  
(51) **LOC (10) Cl.** ..... **14-03**  
(52) **U.S. Cl.**  
USPC ..... **D14/496**; D14/203.3; D14/172  
(58) **Field of Classification Search**  
USPC ..... D14/496, 401, 435, 474, 483, 217, 137, D14/138, 160, 168, 356, 203.1–203.8, D14/507; 345/156, 169, 173–179, 905; 715/727–729, 864; 710/1, 5, 8; 713/1, 713/600; 455/1.1, 1.7, 73, 344–347, 93, 455/95, 3.01–3.06, 550.1, 573.1; 370/342–344; 369/1, 2, 6–12; 463/43–47; 273/148 B  
CPC .... A63F 9/00; A63F 9/24; A63F 13/00; G06F 17/00; G06F 19/00; G07F 17/32; H04M 1/00  
See application file for complete search history.

**DESCRIPTION**

FIG. 1 is a perspective view of a virtual reality device showing our new design;  
FIG. 2 is a front view thereof;  
FIG. 3 is a rear view thereof;  
FIG. 4 is a left side view thereof where the right side view is a mirror image;  
FIG. 5 is a top plan view thereof;  
FIG. 6 is a bottom plan view thereof;  
FIG. 7 is an exploded perspective view thereof;  
FIG. 8 is a perspective view thereof showing the state that the cover part (the upper part) of the subject design has been attached to the main part as being upside down;  
FIG. 9 is a front view of FIG. 8;  
FIG. 10 is a rear view of FIG. 8;  
FIG. 11 is a left side view of FIG. 8;  
FIG. 12 is a right side view of FIG. 8;  
FIG. 13 is a top plan view of FIG. 8; and,  
FIG. 14 is an exploded perspective view of FIG. 8.  
The broken lines depict portions of the virtual reality device that form no part of the claimed design.

(56) **References Cited**  
U.S. PATENT DOCUMENTS  
5,991,085 A \* 11/1999 Rallison ..... G02B 27/017 345/8  
6,369,952 B1 \* 4/2002 Rallison ..... G02B 27/017 359/630

**1 Claim, 13 Drawing Sheets**



(56)

**References Cited**

U.S. PATENT DOCUMENTS

9,548,435 B2 \* 1/2017 Pruneri ..... H01L 39/005  
9,548,980 B2 \* 1/2017 Cheon ..... H04L 63/0876

\* cited by examiner

FIG. 1

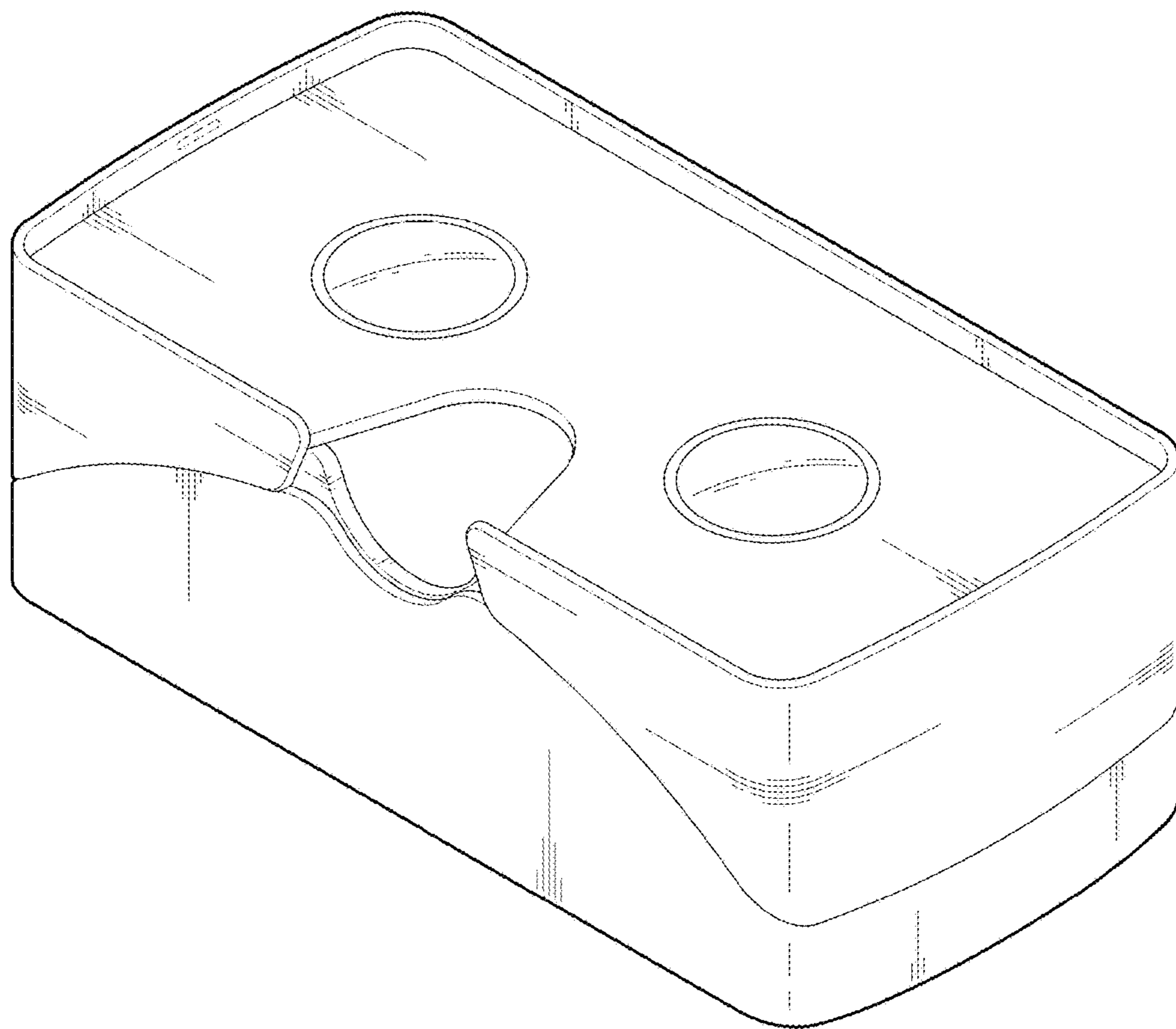


FIG. 2

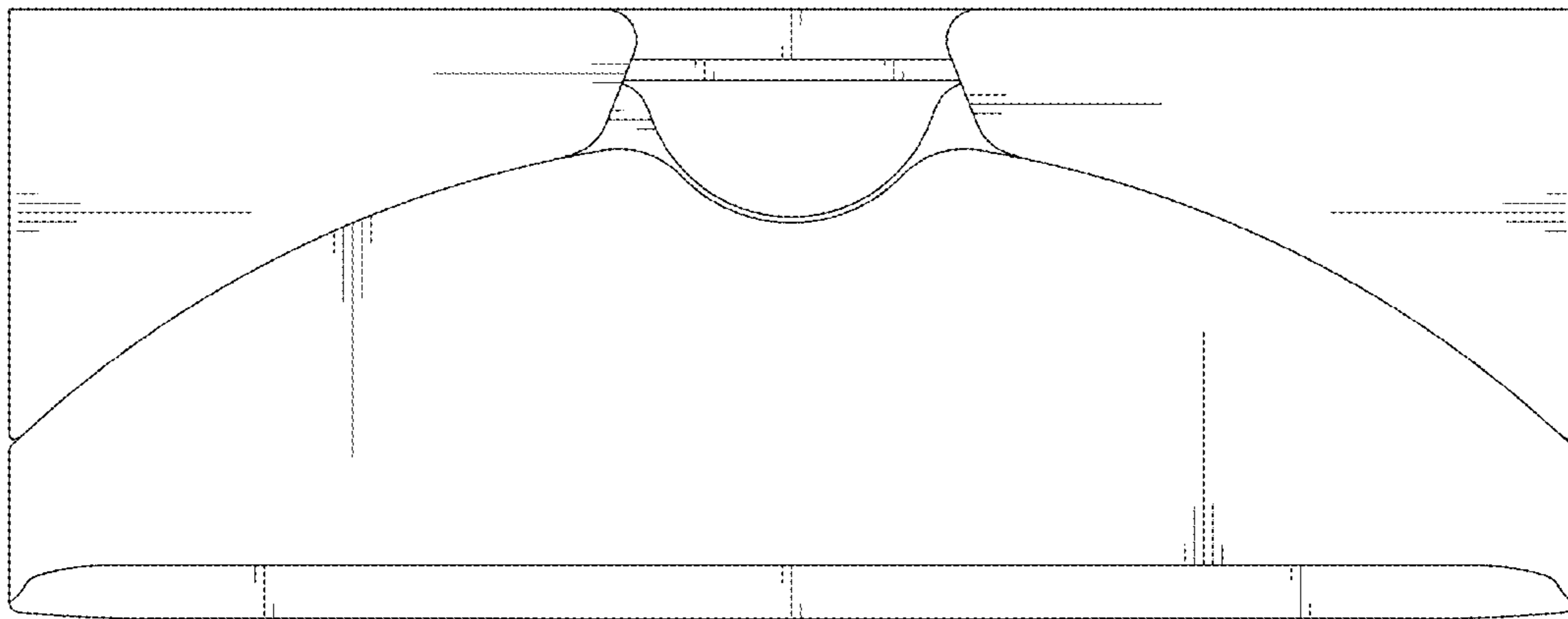


FIG. 3

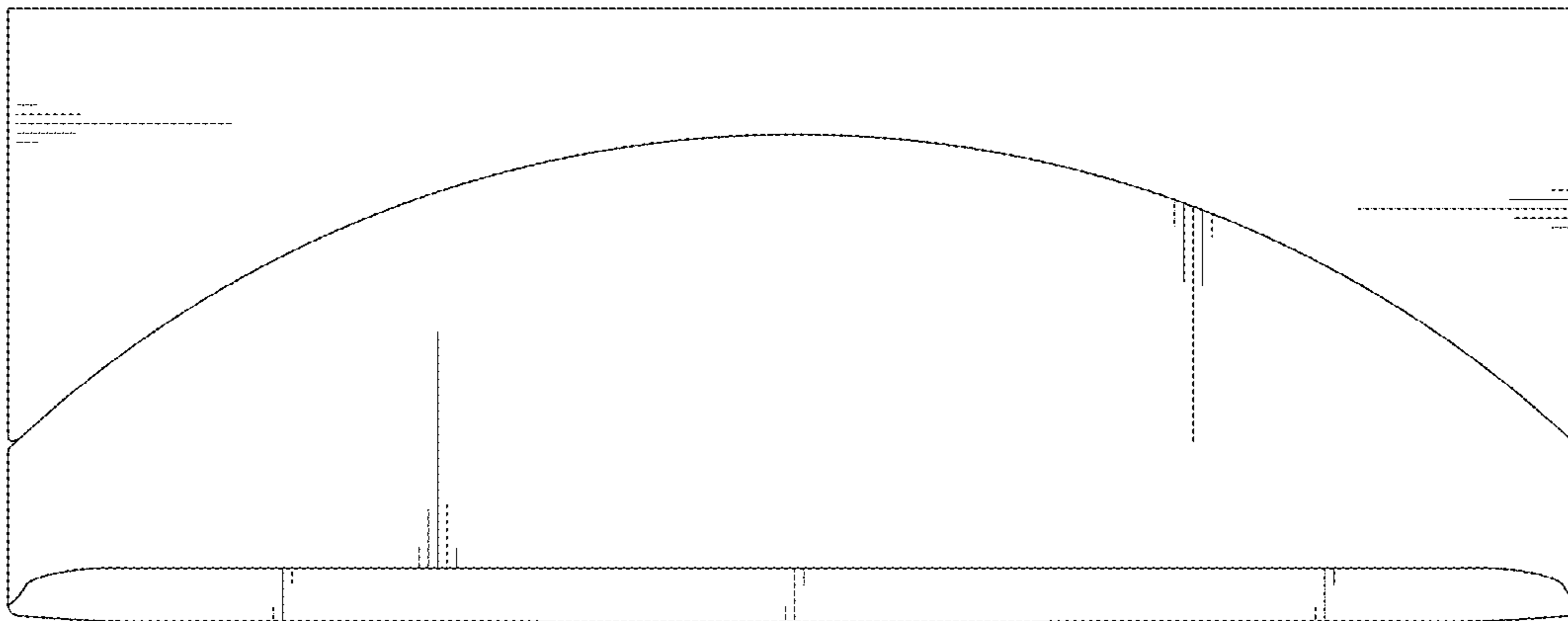


FIG. 4

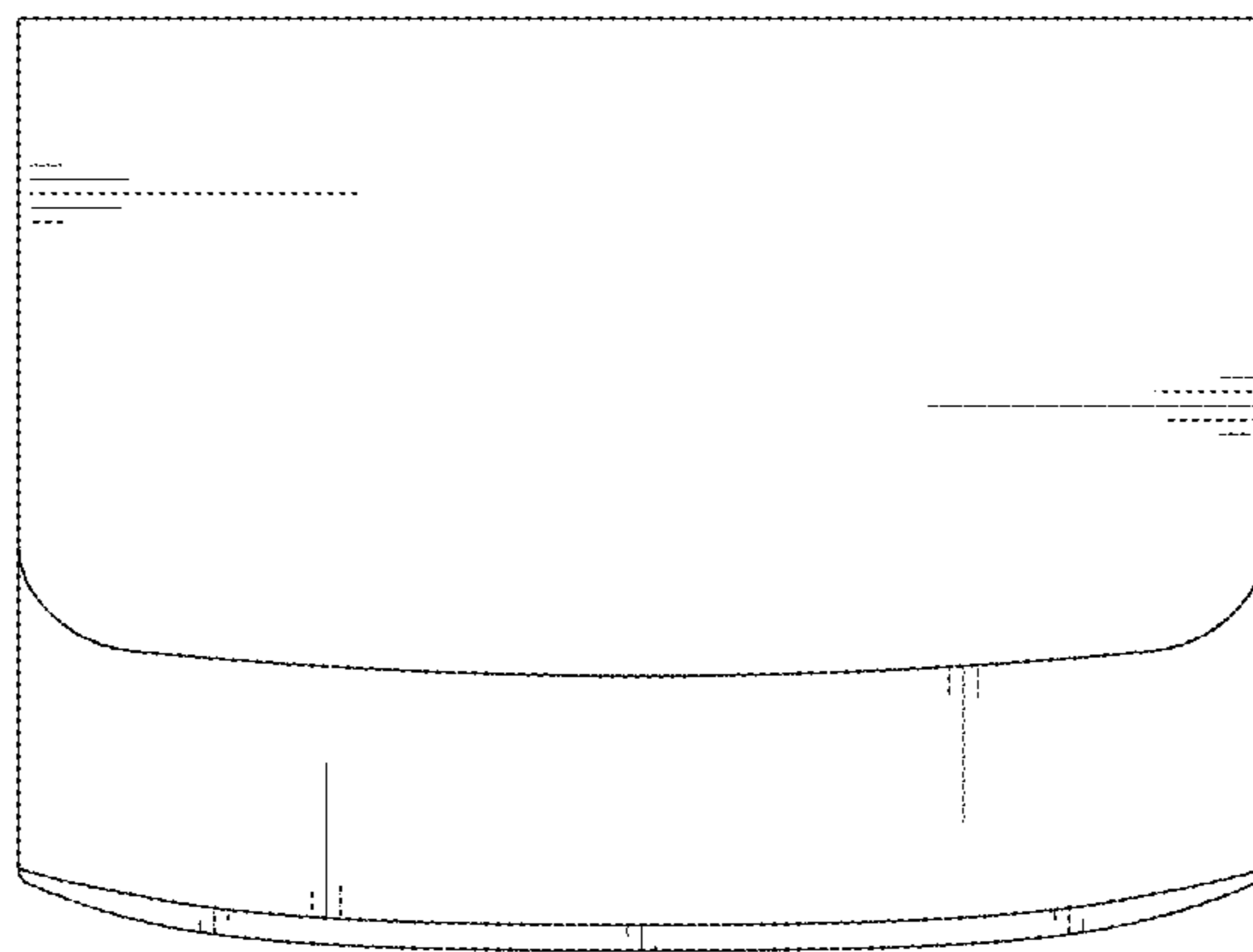


FIG. 5

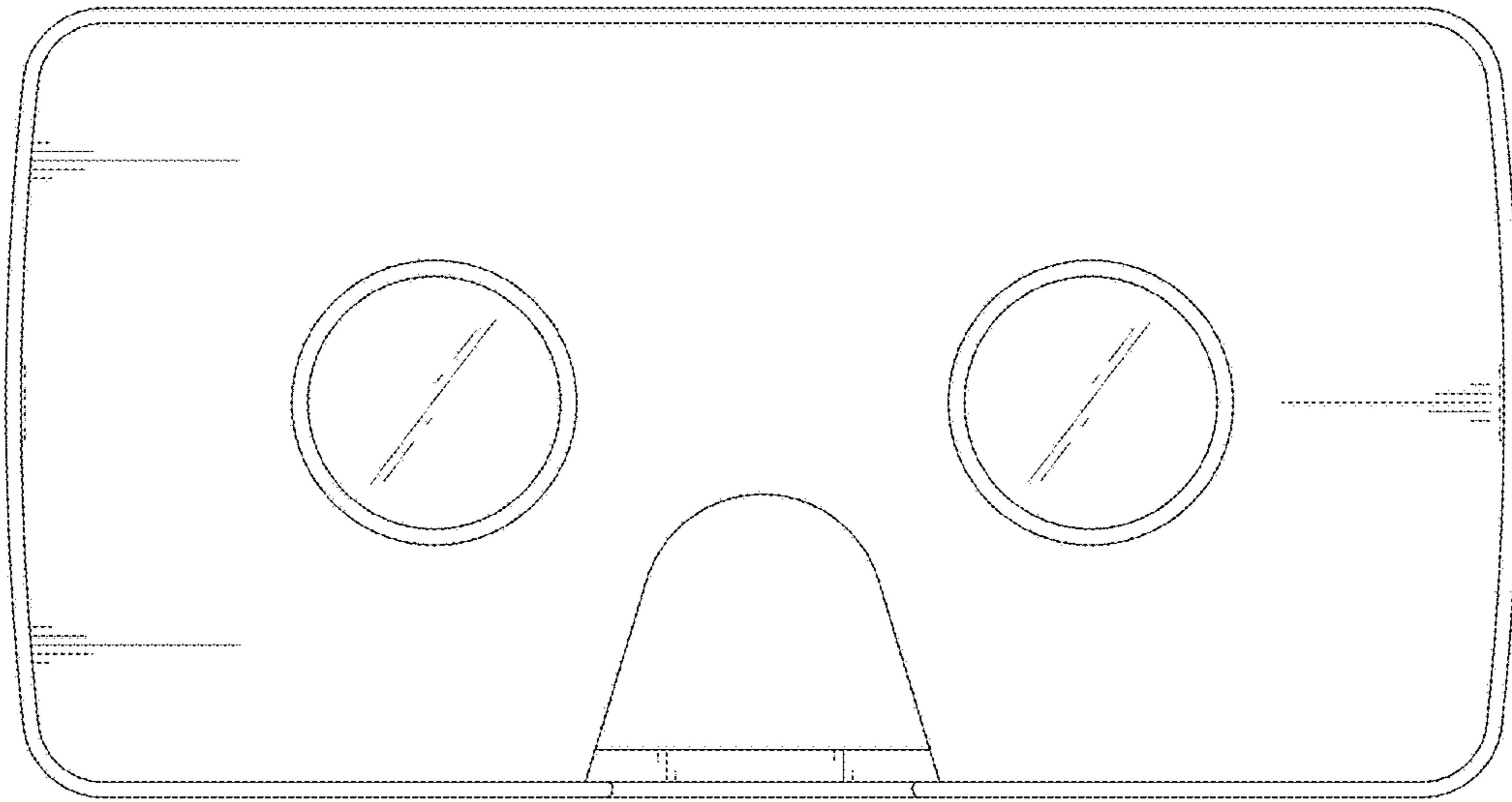


FIG. 6

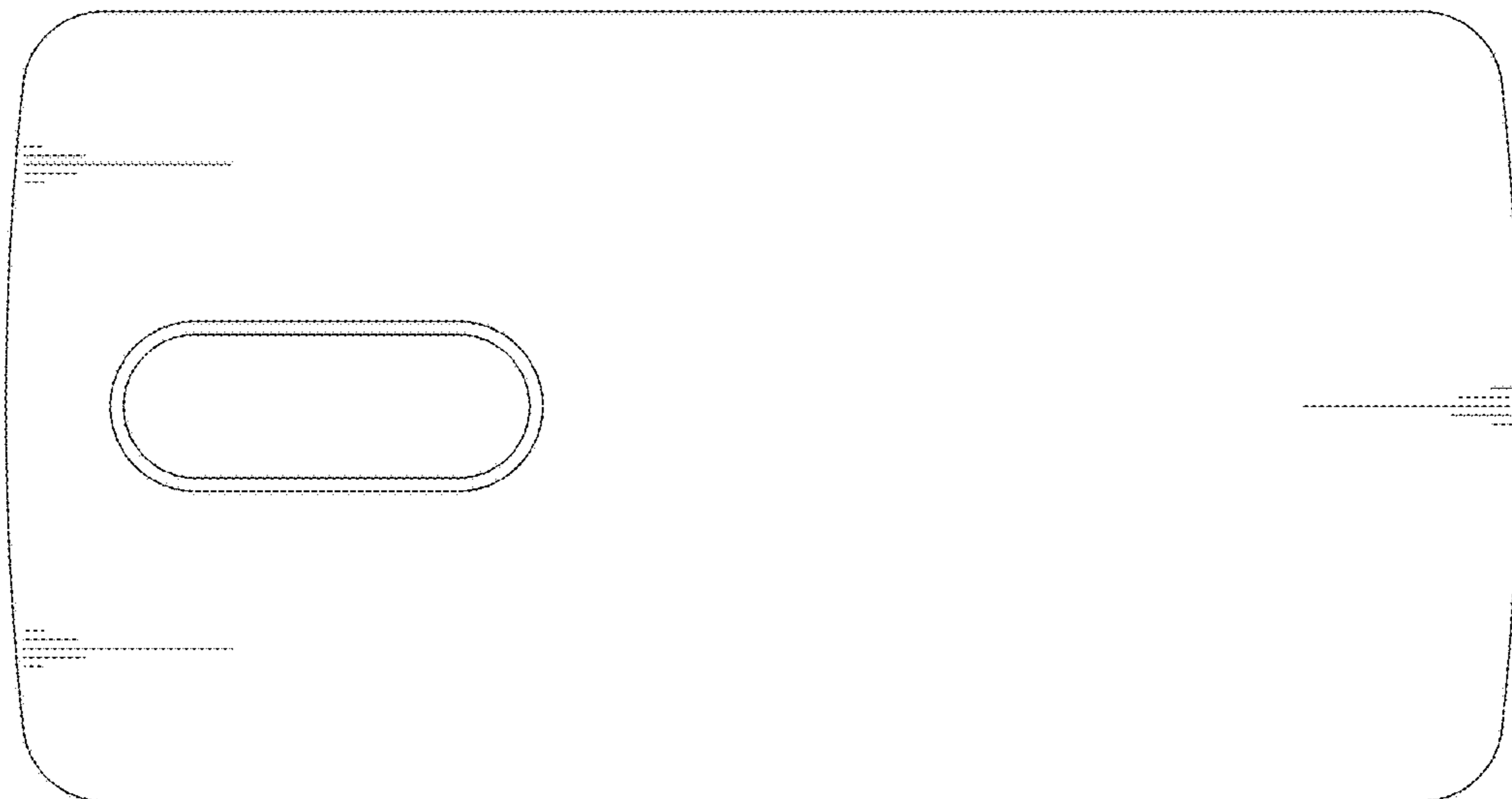


FIG. 7

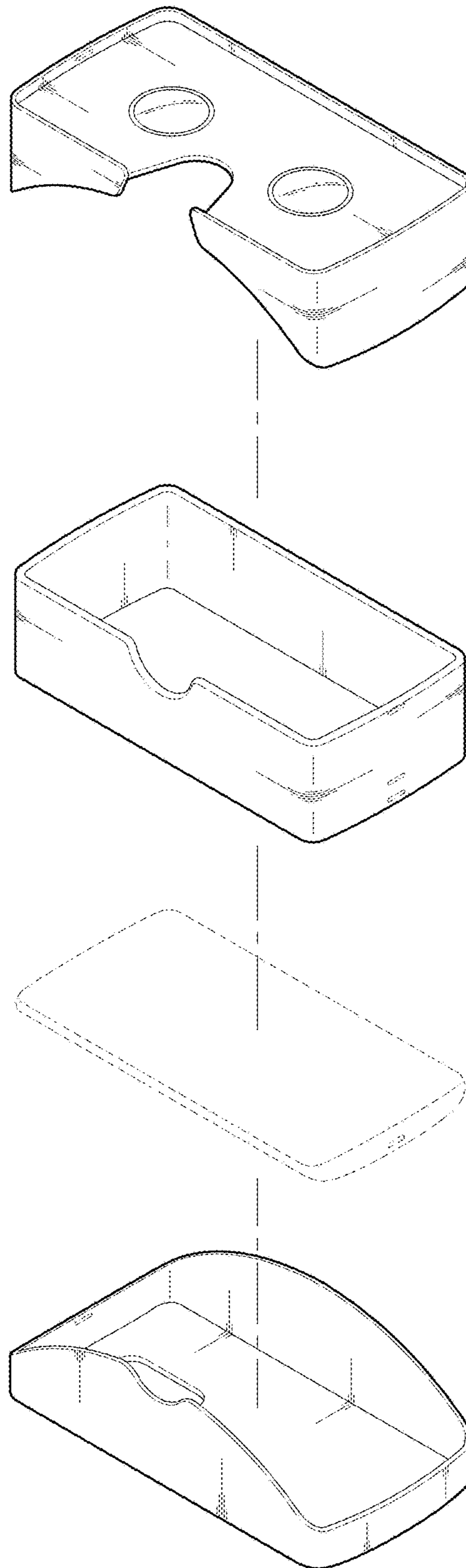




FIG. 8

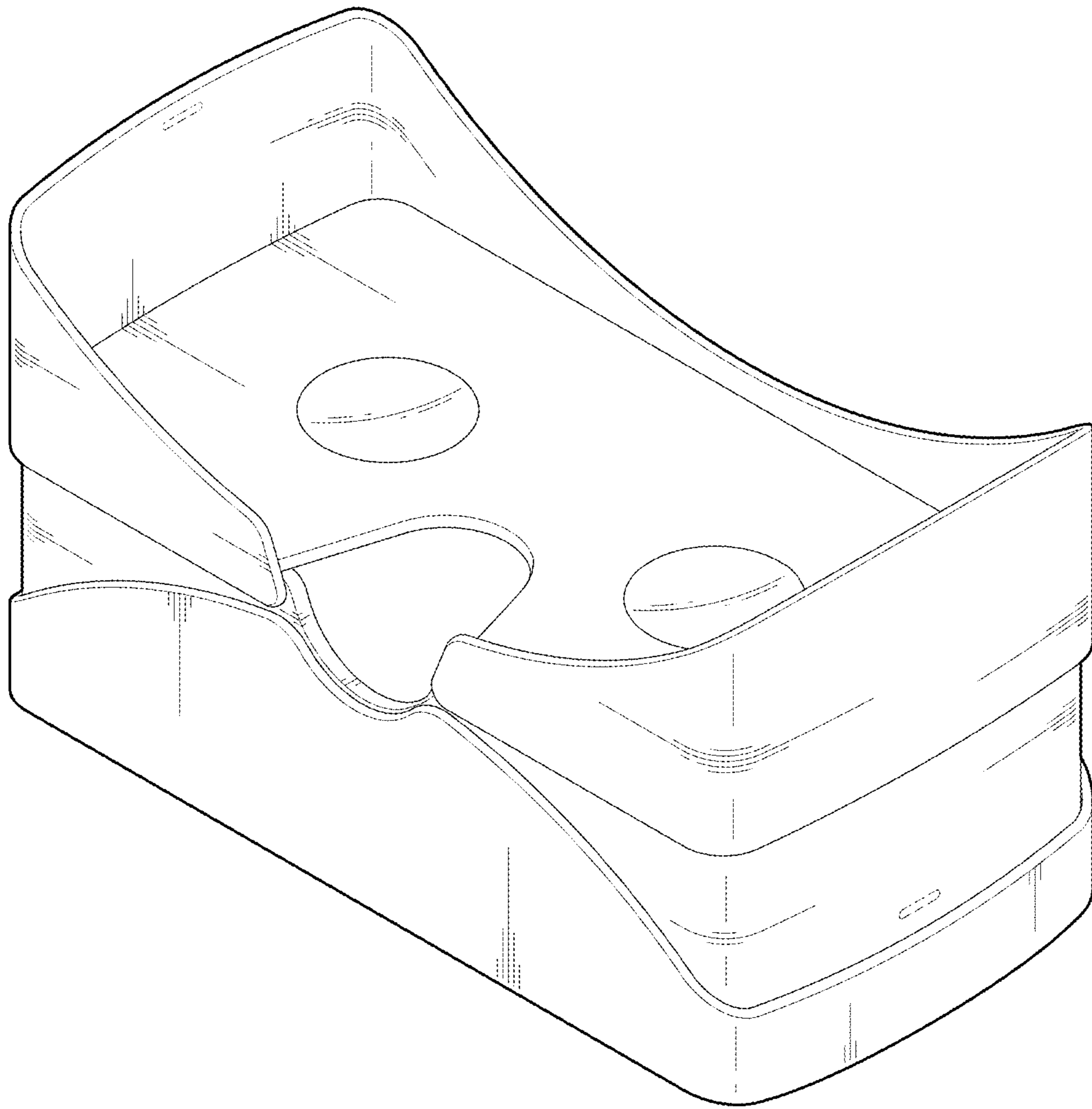


FIG. 9

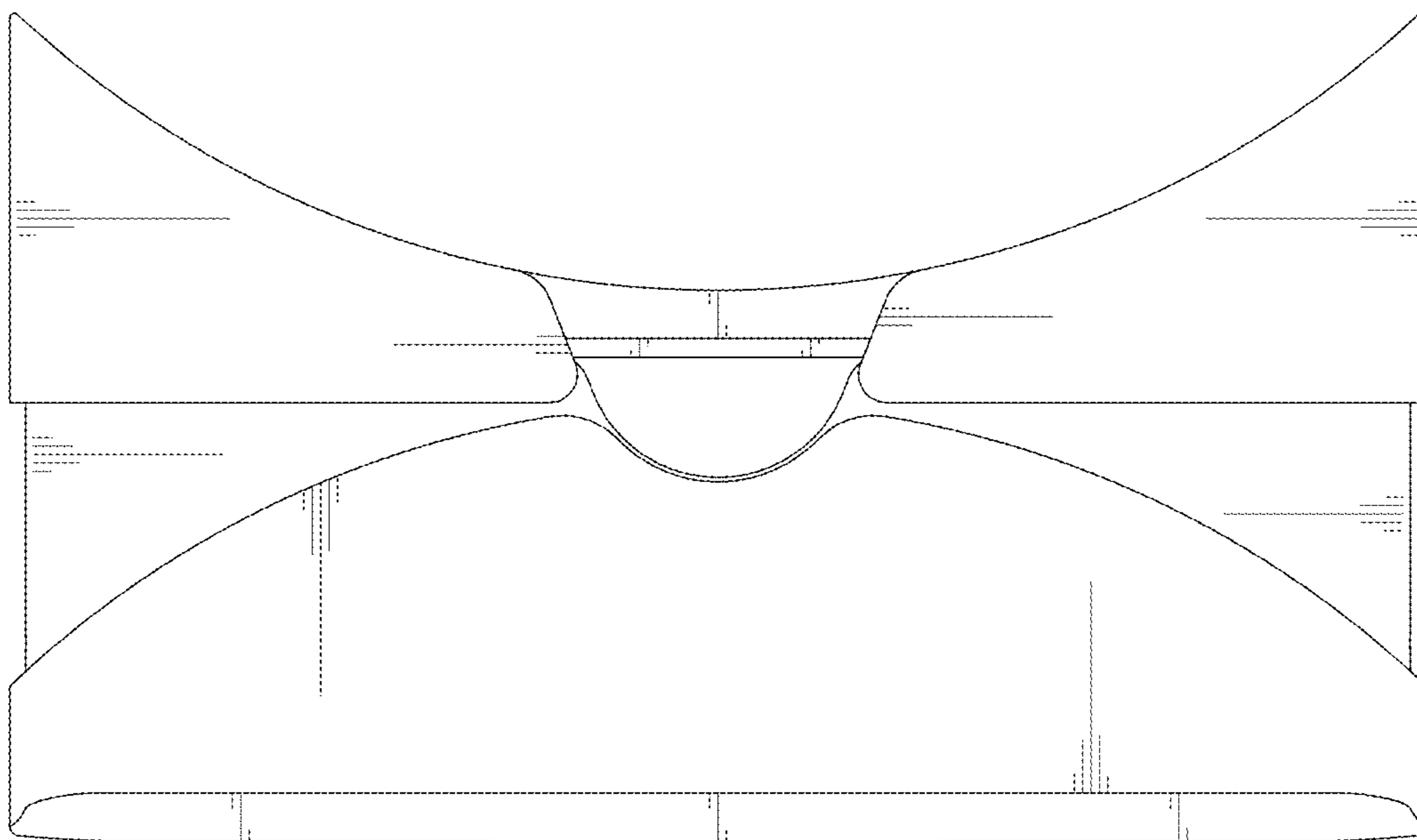


FIG. 10

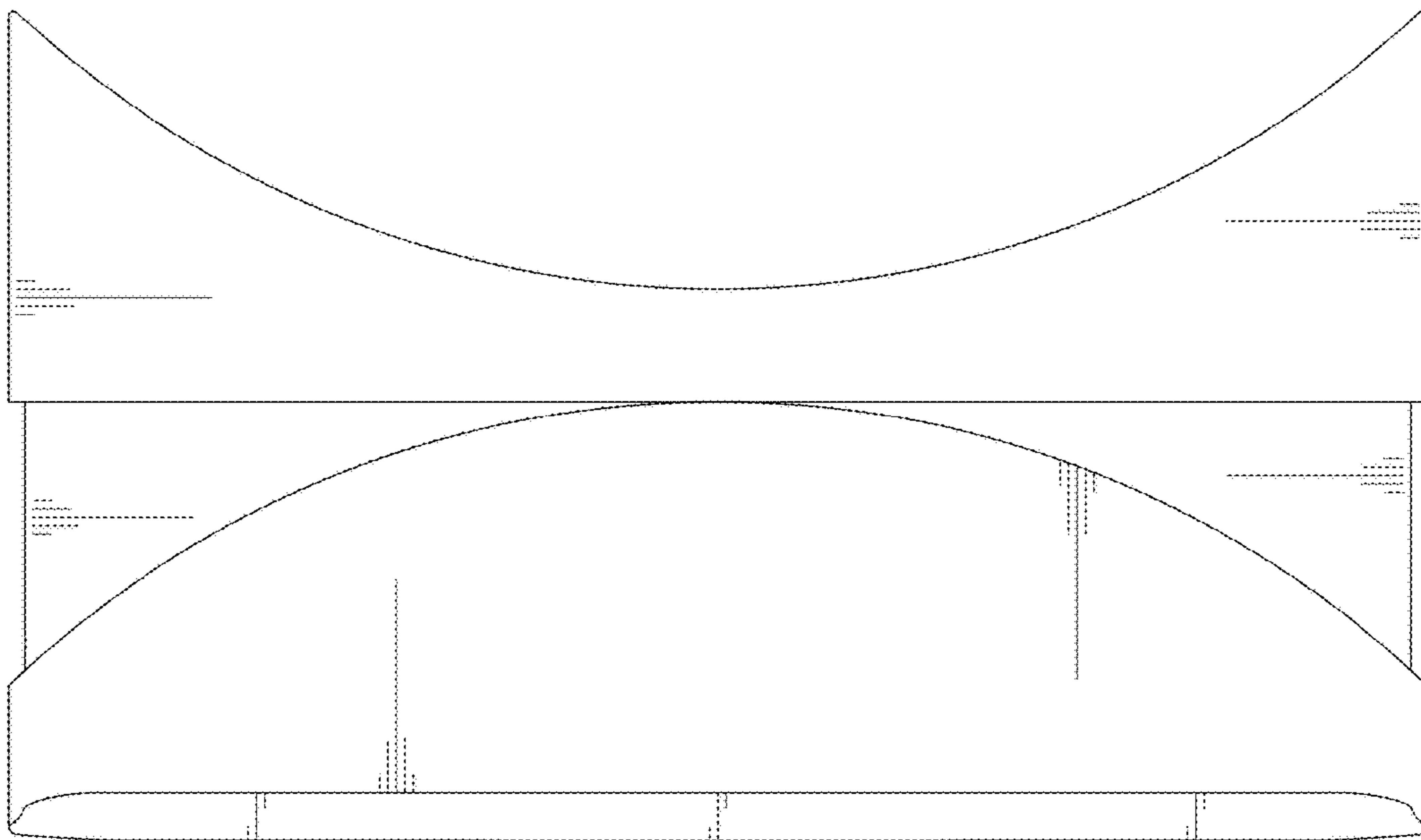


FIG. 11

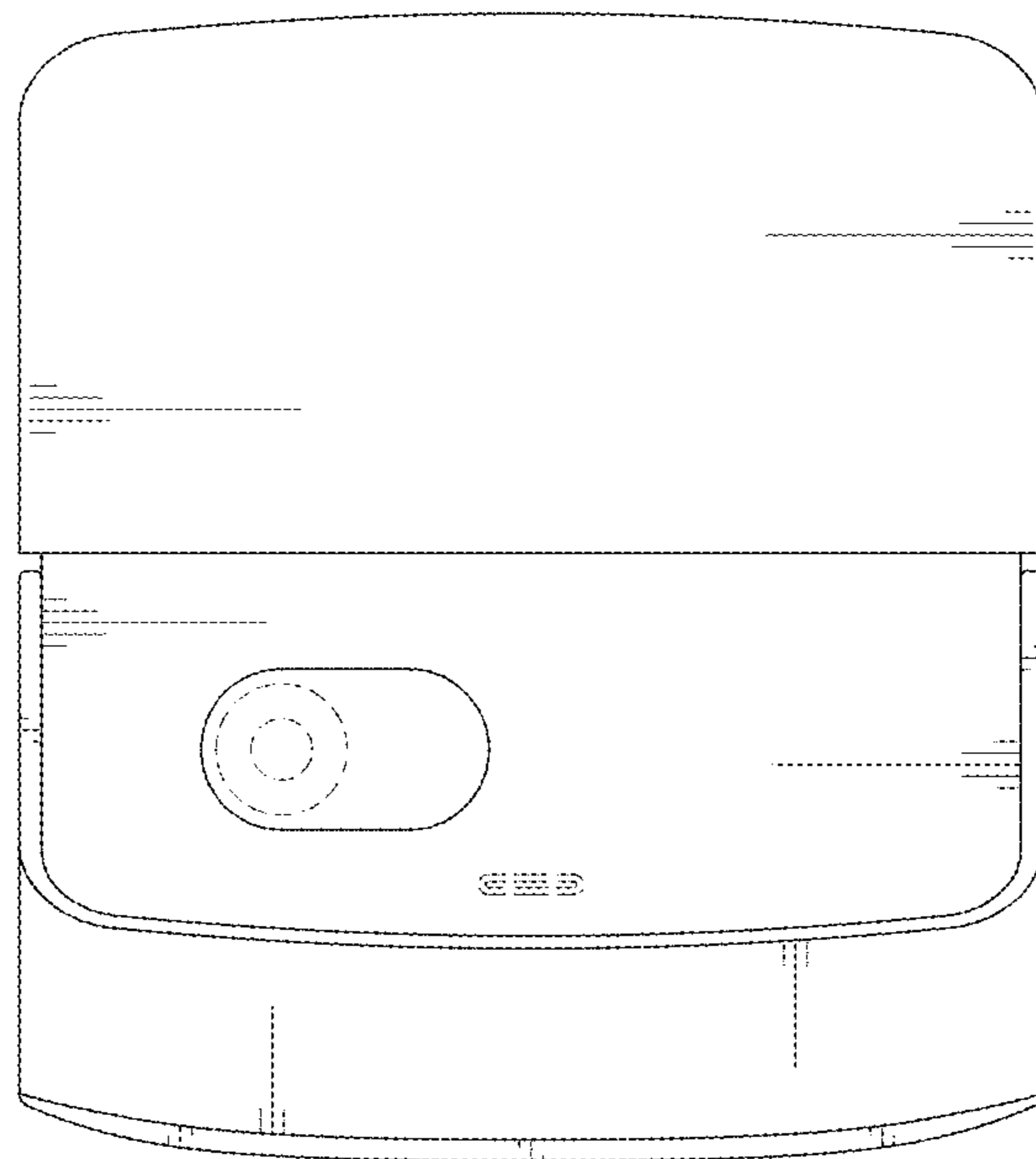


FIG. 12

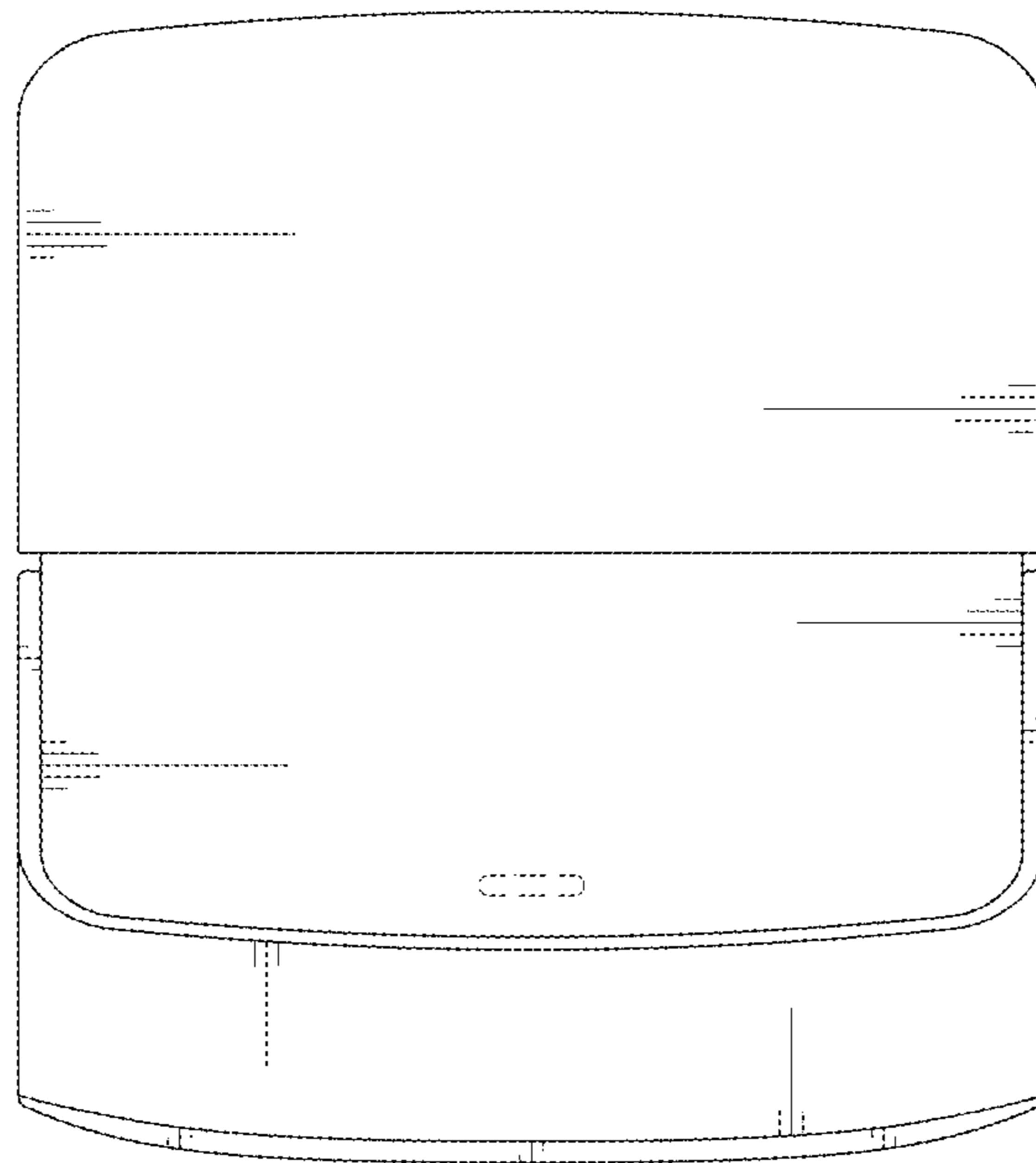


FIG. 13

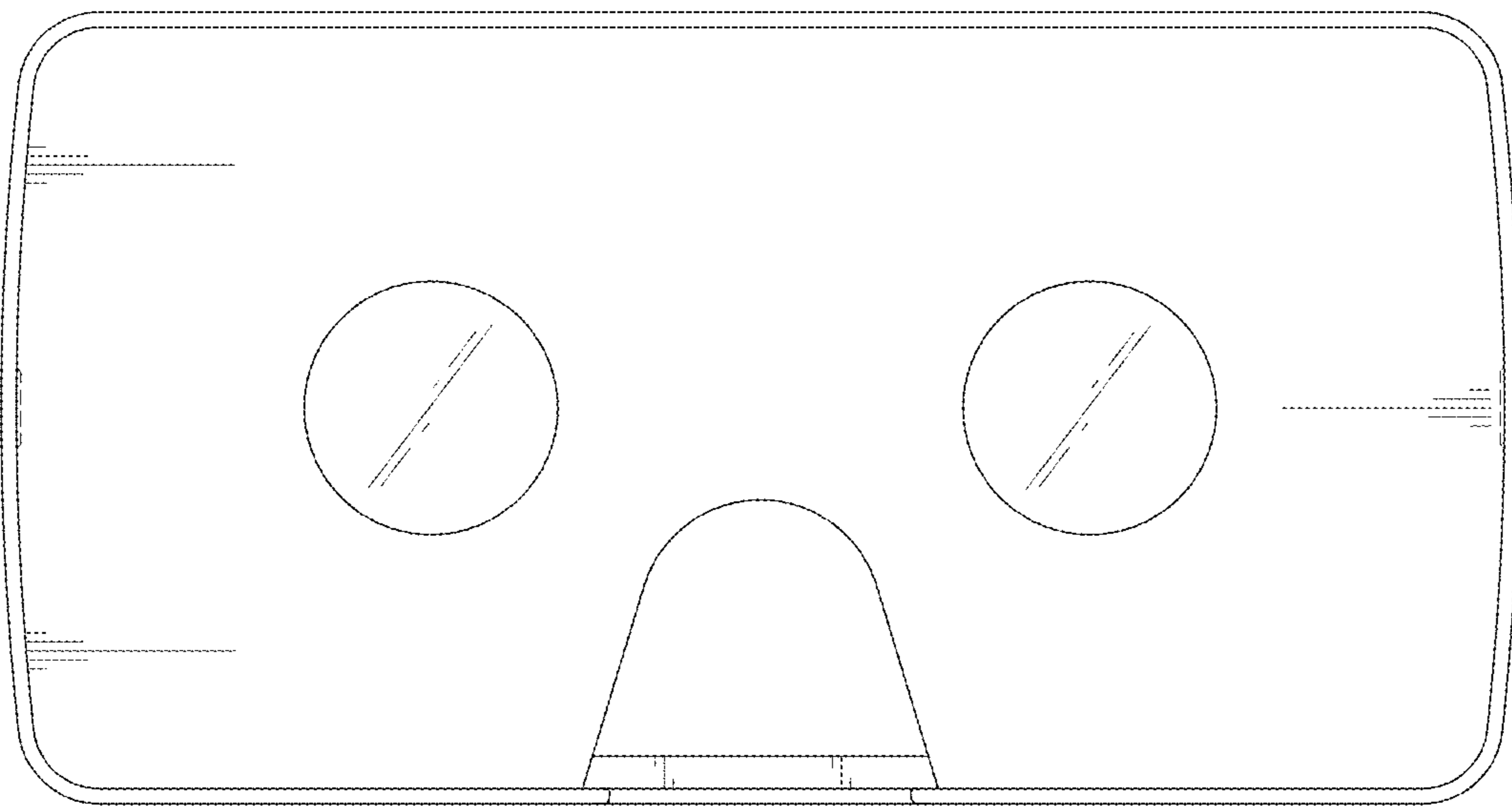


FIG. 14

