



US00D788810S

(12) **United States Design Patent**
Kim

(10) **Patent No.:** **US D788,810 S**
(45) **Date of Patent:** **** Jun. 6, 2017**

(54) **DISPLAY SCREEN OR PORTION THEREOF WITH ANIMATED GRAPHICAL USER INTERFACE**

FOREIGN PATENT DOCUMENTS

KR 300676487 1/2013
KR 300798754 6/2015

(71) Applicant: **Samsung Electronics Co., Ltd.**,
Suwon-si (KR)

OTHER PUBLICATIONS

(72) Inventor: **Gyuchual Kim**, Incheon (KR)

Dribbble—Contact Sync by Ramotion, (Copyright 2009-2015), pp. 1-10, Retrieved from the Internet Dec. 20, 2015 <URL:https://dribbble.com/shots/1749645ContactSyncF>.

(73) Assignee: **SAMSUNG ELECTRONICS CO., LTD.**, Gyeonggi-Do (KR)

(Continued)

(**) Term: **15 Years**

Primary Examiner — Karen Kearney

(21) Appl. No.: **29/549,215**

Assistant Examiner — Katherine Holbrow

(22) Filed: **Dec. 20, 2015**

(74) *Attorney, Agent, or Firm* — Cantor Colburn LLP

(30) **Foreign Application Priority Data**

(57) **CLAIM**

Aug. 12, 2015 (KR) 30-2015-0040593

I claim, the ornamental design for a display screen or portion thereof with animated graphical user interface, as shown and described.

(51) **LOC (10) Cl.** **14-04**

DESCRIPTION

(52) **U.S. Cl.**

USPC **D14/487**; D14/492

(58) **Field of Classification Search**

USPC D14/485–495

CPC ... G06F 3/0481; G06F 3/0482; G06F 3/04842

See application file for complete search history.

FIG. 1 is a first image in a sequence for a display screen or portion thereof with animated graphical user interface showing my new design;

FIG. 2 is a second image in a sequence thereof;

FIG. 3 is a third image in a sequence thereof;

FIG. 4 is a fourth image in a sequence thereof;

FIG. 5 is a fifth image in a sequence thereof; and,

FIG. 6 is a sixth image in a sequence thereof.

The broken lines showing the display screen or portion thereof and portions of the graphical user interface are included for the purpose of illustrating environmental structure and form no part of the claimed design. The process or period in which one image transitions to another forms no part of the claimed design.

The appearance of the transitional image sequentially transitions between the images shown in FIGS. 1-6.

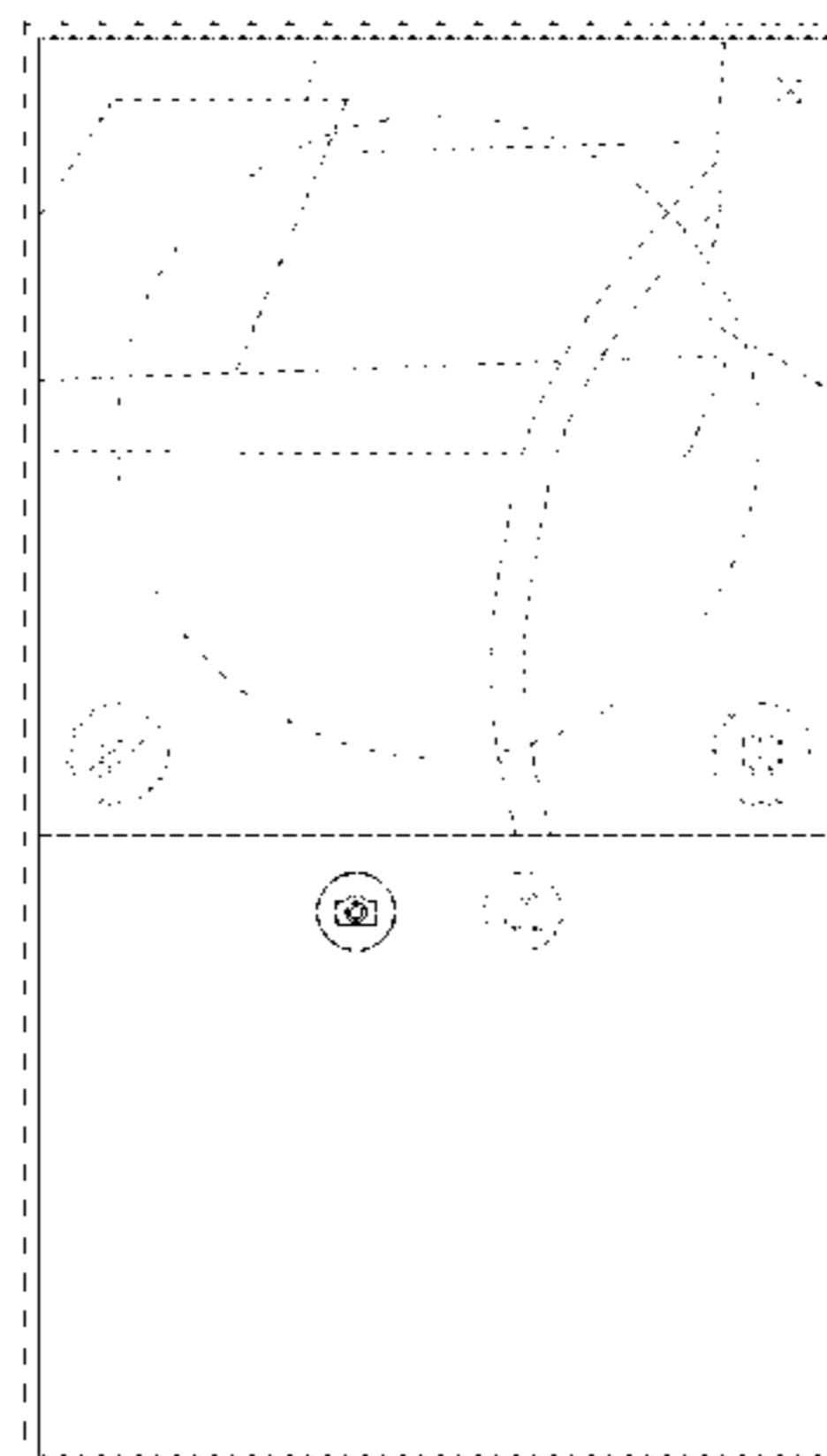
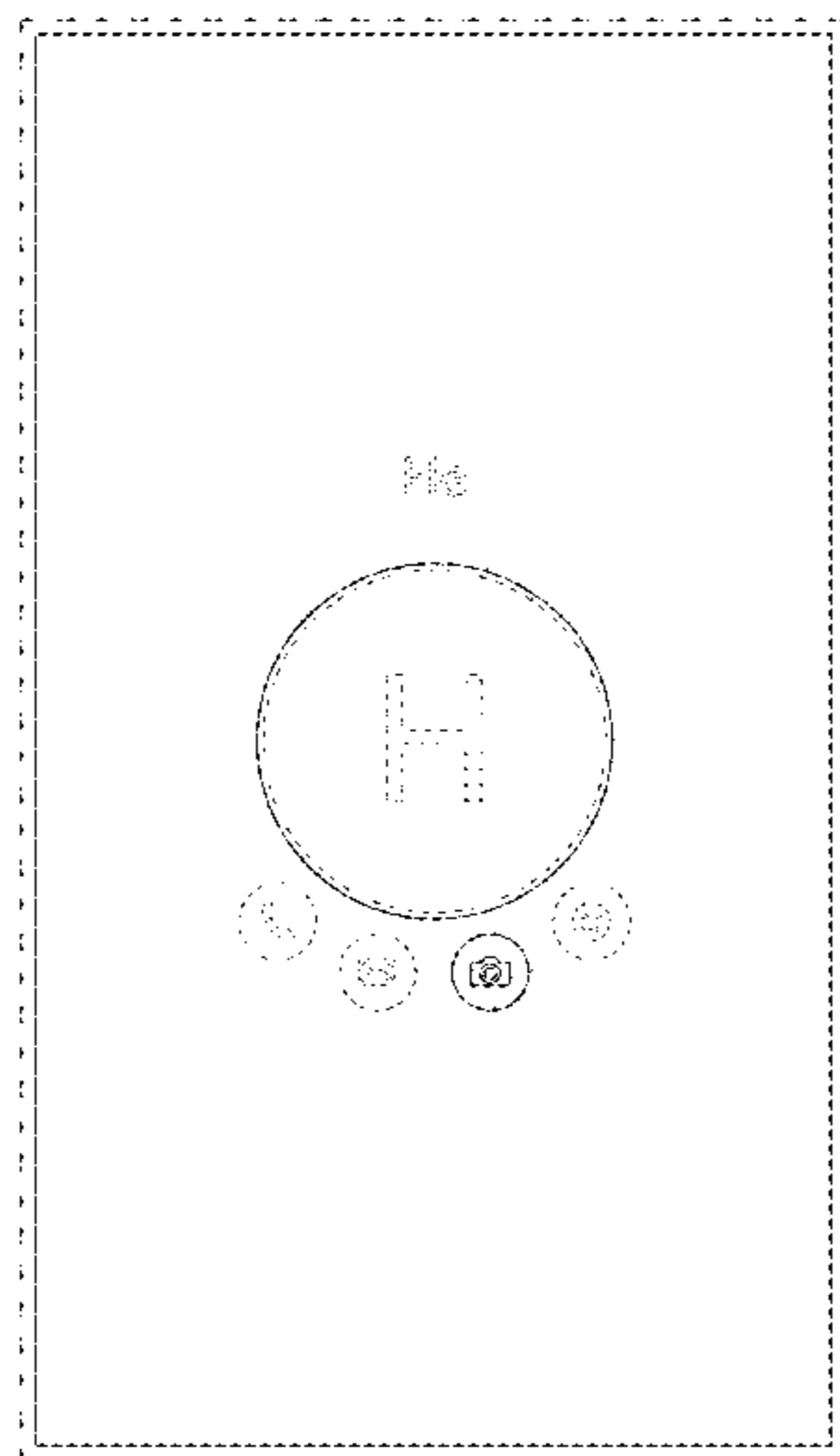
(56) **References Cited**

U.S. PATENT DOCUMENTS

D550,227 S * 9/2007 Sato D14/485
D615,546 S * 5/2010 Lundy D14/485
D626,131 S * 10/2010 Kruzeniski D14/485
D631,060 S * 1/2011 Flik D14/486
7,903,115 B2 * 3/2011 Platzer G06F 3/0485
345/473
D673,172 S * 12/2012 Peters D14/487
D691,171 S * 10/2013 Brinda D14/488
D703,693 S * 4/2014 Brinda D14/488
D721,084 S * 1/2015 Kimball D14/485
D729,837 S * 5/2015 Kang D14/487

(Continued)

1 Claim, 6 Drawing Sheets



(56)

References Cited

U.S. PATENT DOCUMENTS

D751,599 S * 3/2016 Connolly D14/488
D752,094 S * 3/2016 Cornwell D14/488
D759,664 S * 6/2016 Sonoda D14/485
D760,738 S * 7/2016 Scalisi D14/485
D760,769 S * 7/2016 Ishii D14/488
D762,672 S * 8/2016 Lee D14/485
D763,889 S * 8/2016 Woo D14/486
D765,674 S * 9/2016 Kim D14/485
D767,603 S * 9/2016 Yun D14/486
D767,619 S * 9/2016 Lin D14/488
D768,151 S * 10/2016 Yoo D14/485
D769,900 S * 10/2016 Kim D14/485
D773,502 S * 12/2016 Park D14/486
D773,522 S * 12/2016 Kim D14/488
D773,524 S * 12/2016 Kisselev D14/488
2012/0084697 A1 * 4/2012 Reeves G06F 1/1616
715/772
2014/0149903 A1 * 5/2014 Ahn G06F 3/0488
715/765

OTHER PUBLICATIONS

Showcasing UI Interaction Design with Animated GIFs, Posted Feb. 2015, pp. 1-3, Retrieved from the Internet Dec. 20, 2015 <URL:https://www.pinterest.com/pin/914862401522760/>.

* cited by examiner

FIG. 1

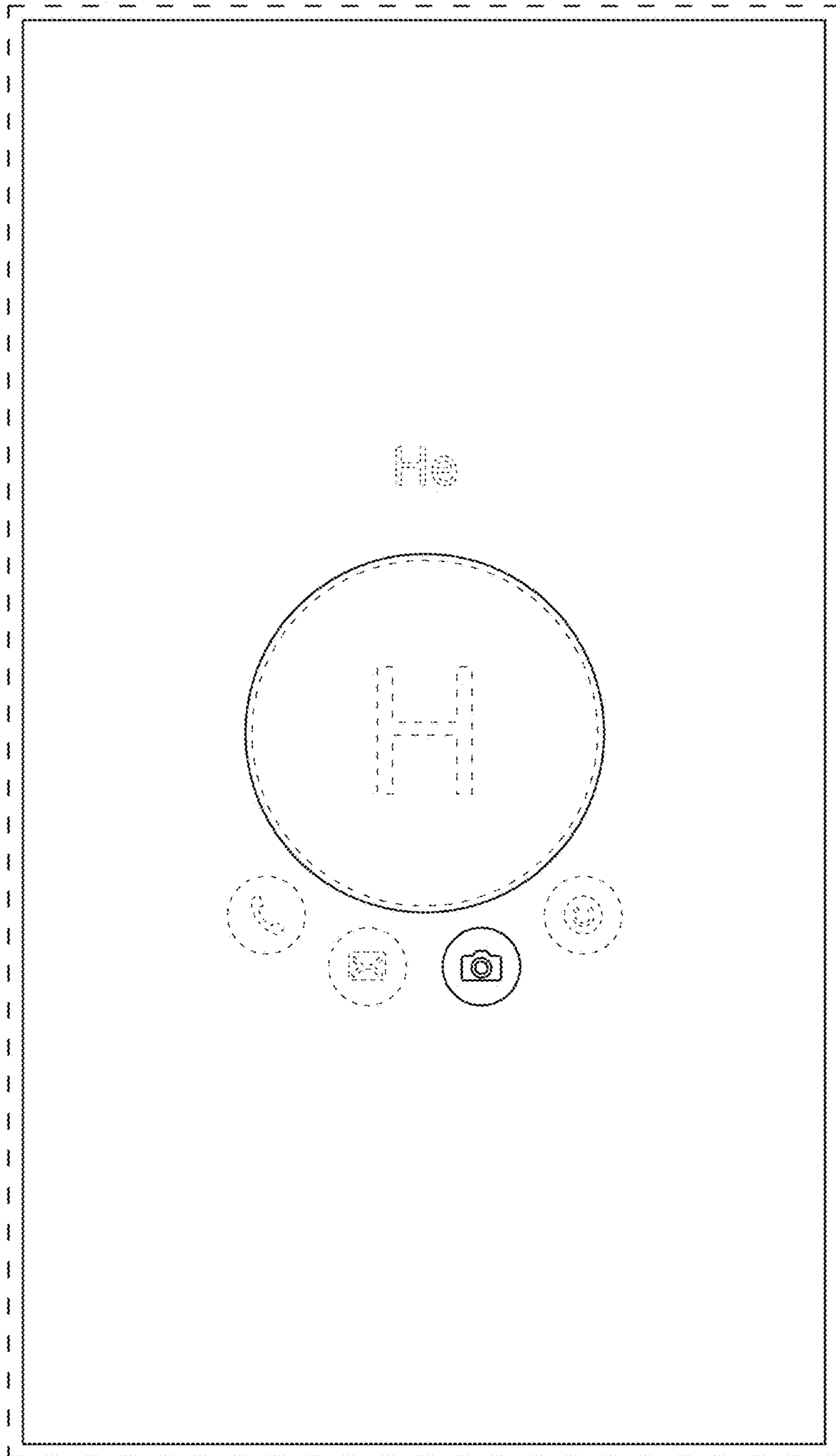


FIG. 2

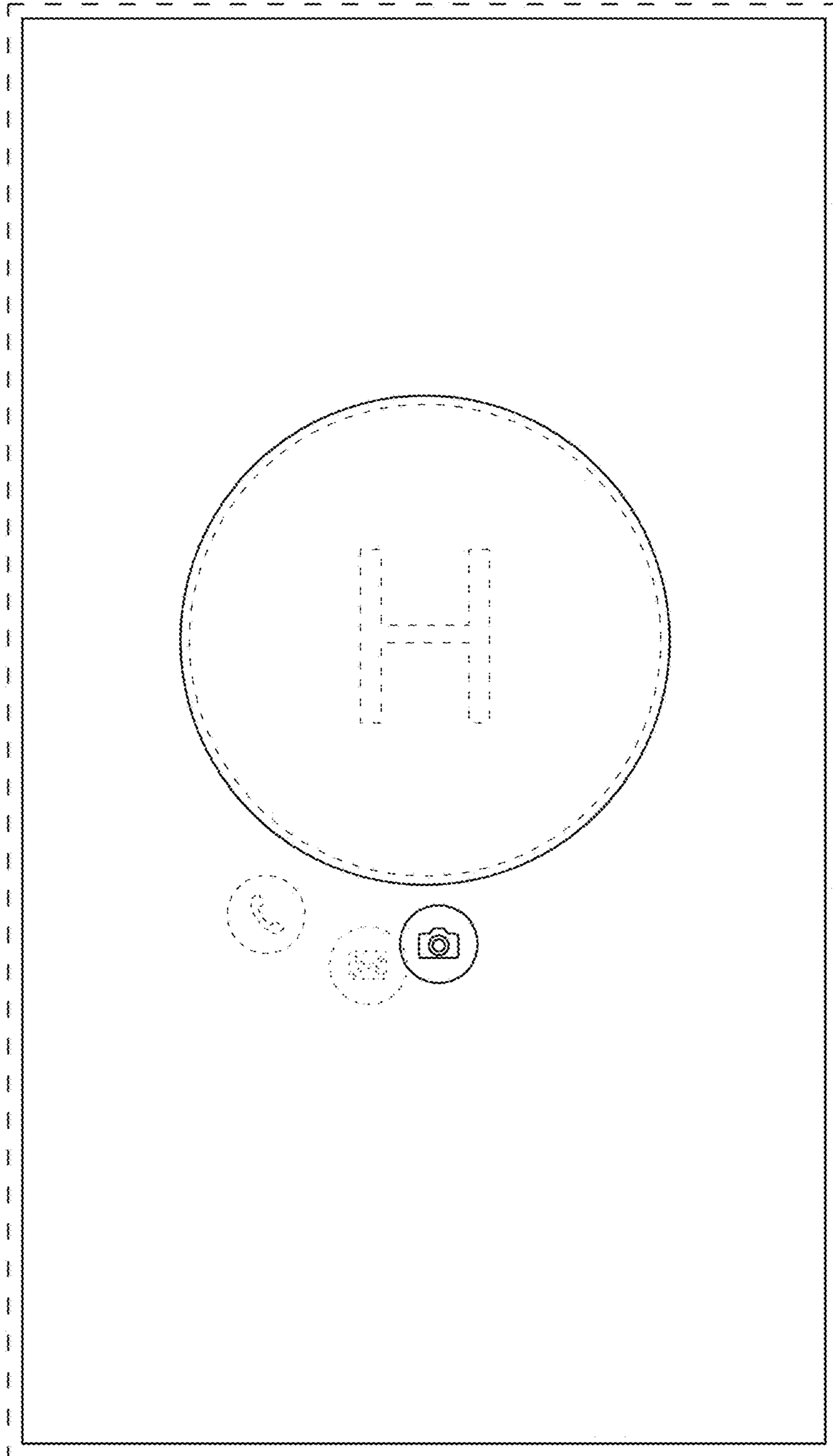


FIG. 3

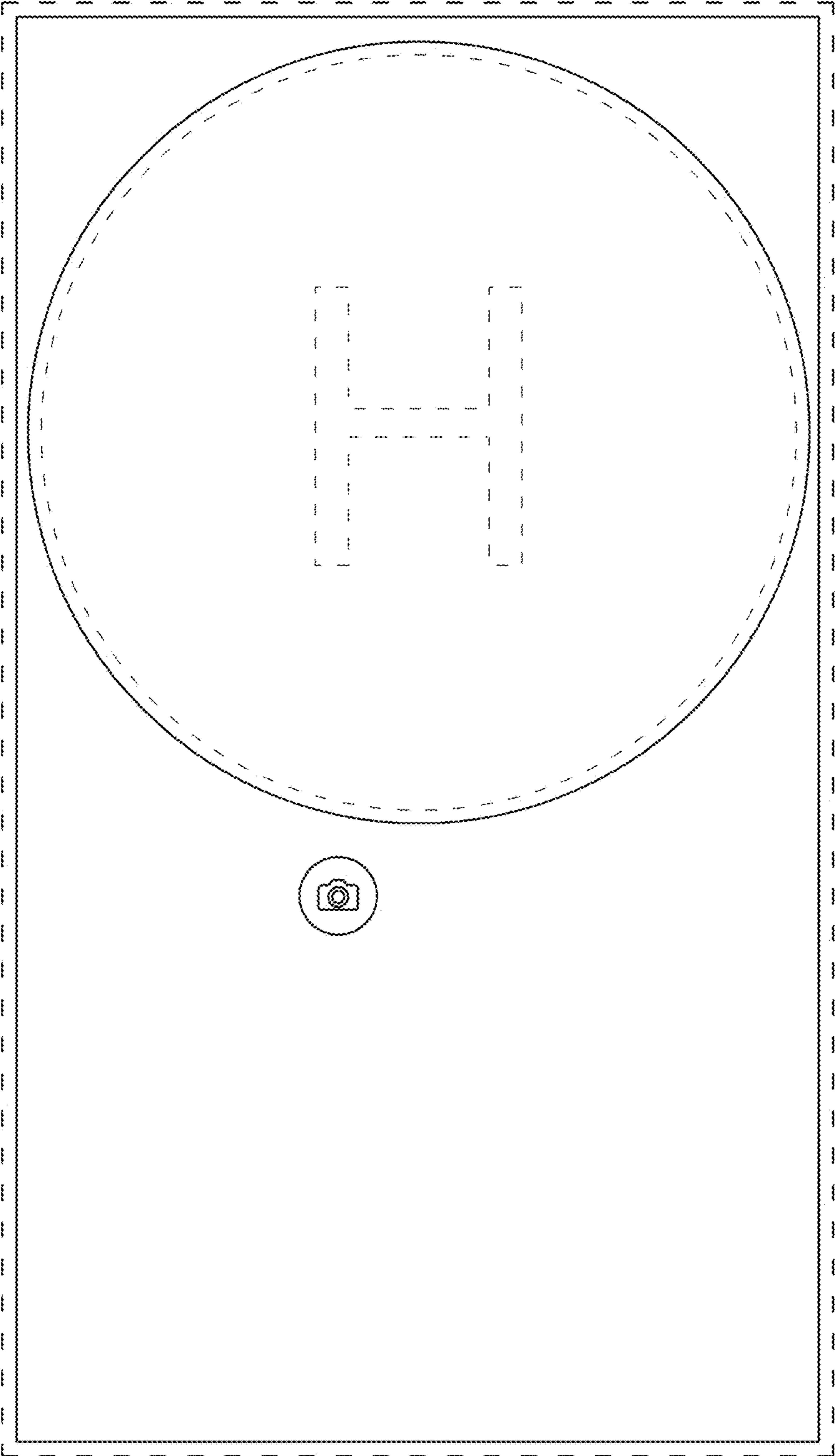


FIG. 4

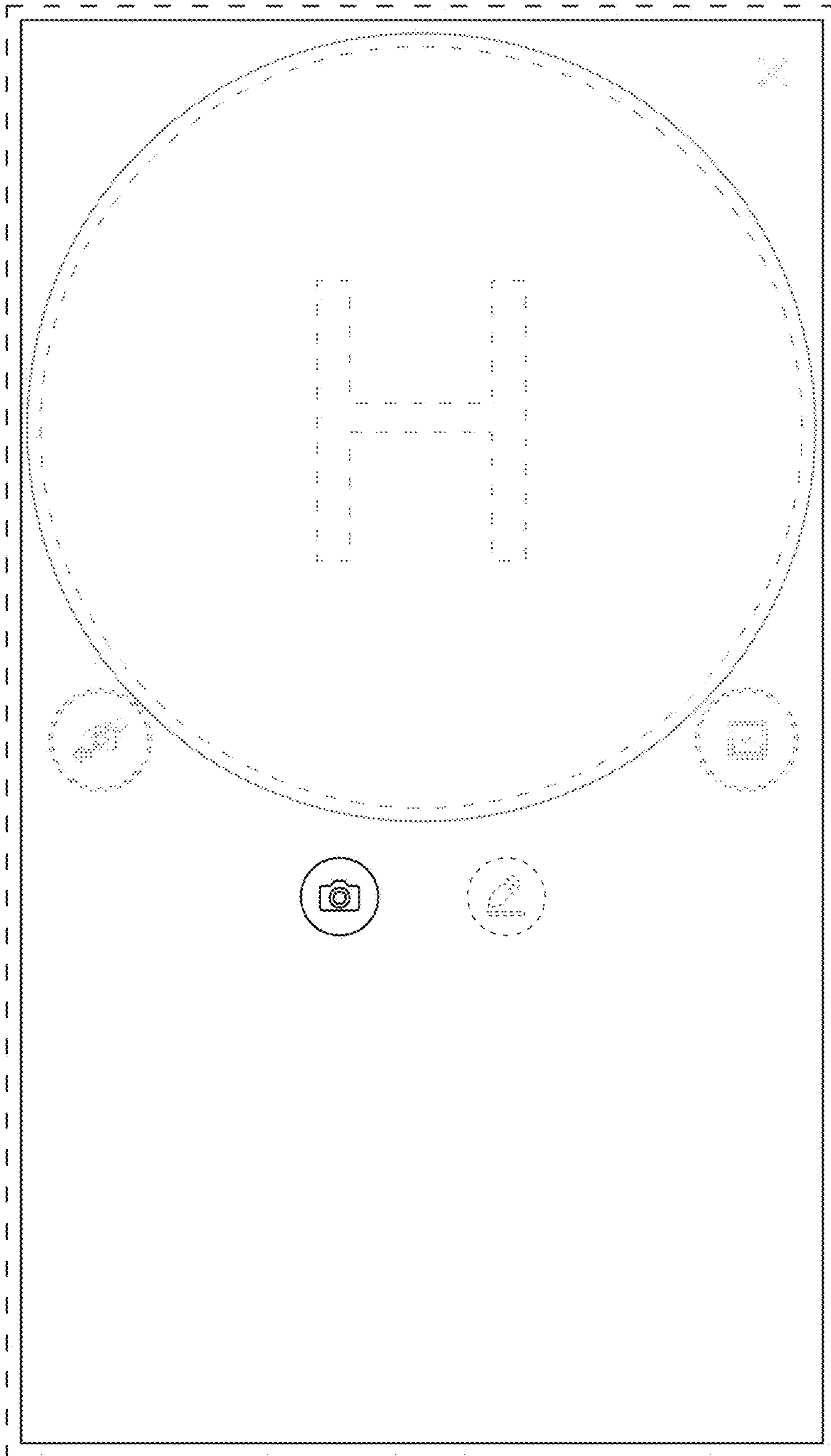


FIG. 5

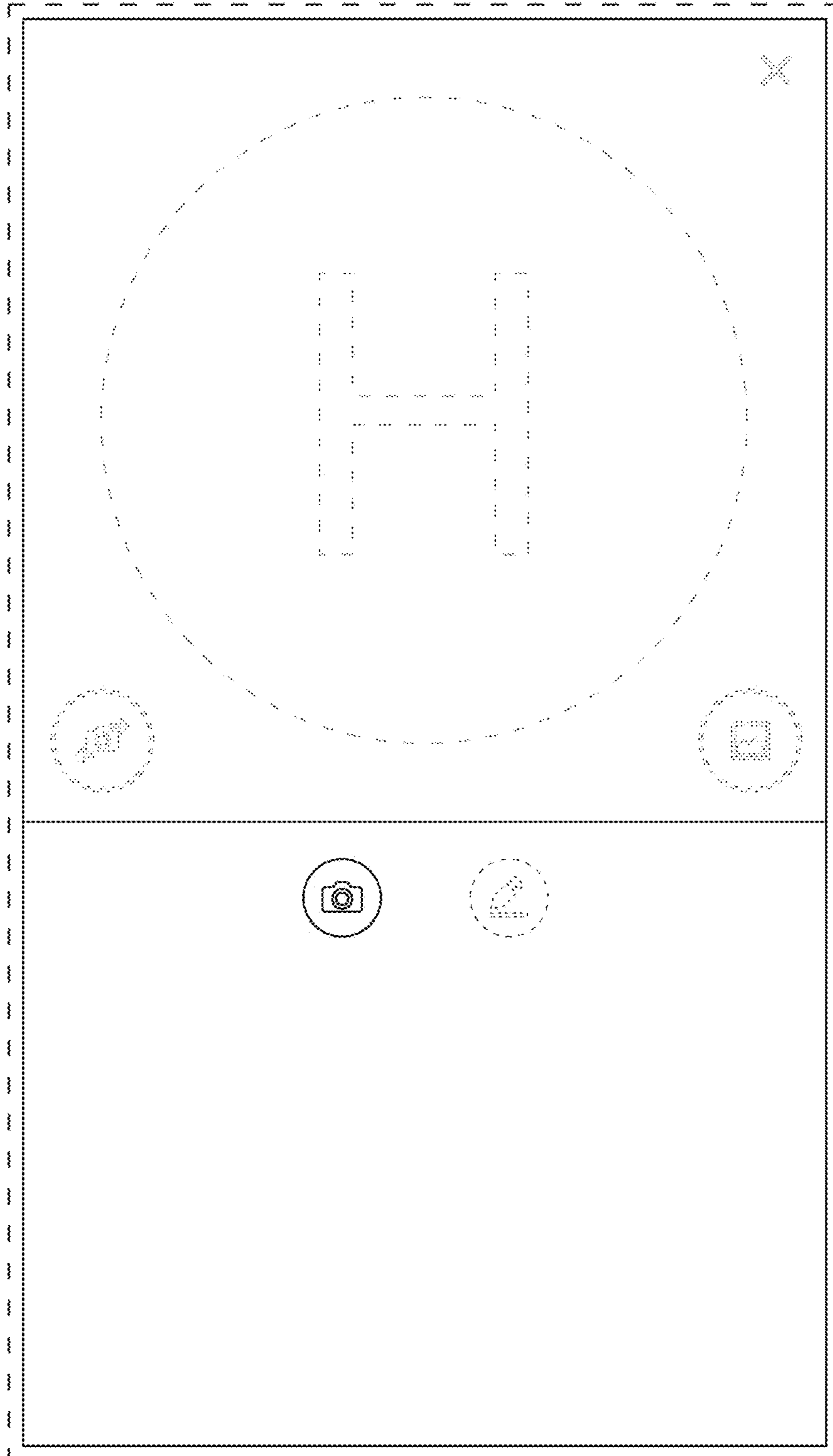


FIG. 6

