



US00D788794S

(12) **United States Design Patent** (10) **Patent No.:** **US D788,794 S**  
**Sabatelli et al.** (45) **Date of Patent:** **\*\* Jun. 6, 2017**

(54) **DISPLAY SCREEN OR PORTION THEREOF WITH ANIMATED GRAPHICAL USER INTERFACE**

- (71) Applicant: **Apple Inc.**, Cupertino, CA (US)
- (72) Inventors: **Alessandro Francesco Sabatelli**, San Francisco, CA (US); **Brian Andrew Schmitt**, San Francisco, CA (US)
- (73) Assignee: **Apple Inc.**, Cupertino, CA (US)
- (\*\*) Term: **15 Years**
- (21) Appl. No.: **29/574,745**
- (22) Filed: **Aug. 18, 2016**

**Related U.S. Application Data**

- (63) Continuation of application No. 29/540,522, filed on Sep. 25, 2015, now Pat. No. Des. 764,549, which is (Continued)
- (51) **LOC (10) Cl.** ..... **14-04**
- (52) **U.S. Cl.**  
USPC ..... **D14/485**  
(Continued)
- (58) **Field of Classification Search**  
USPC ..... D14/485-495; 715/700-867, 973-977  
(Continued)

(56) **References Cited**

**U.S. PATENT DOCUMENTS**

- D425,499 S \* 5/2000 Millington ..... D14/488
- D615,989 S 5/2010 Chaudhri  
(Continued)

*Primary Examiner* — Richard E Chilcot

(74) *Attorney, Agent, or Firm* — Sterne, Kessler, Goldstein & Fox P.L.L.C.

(57) **CLAIM**

The ornamental design for a display screen or portion thereof with animated graphical user interface, as shown and described.

**DESCRIPTION**

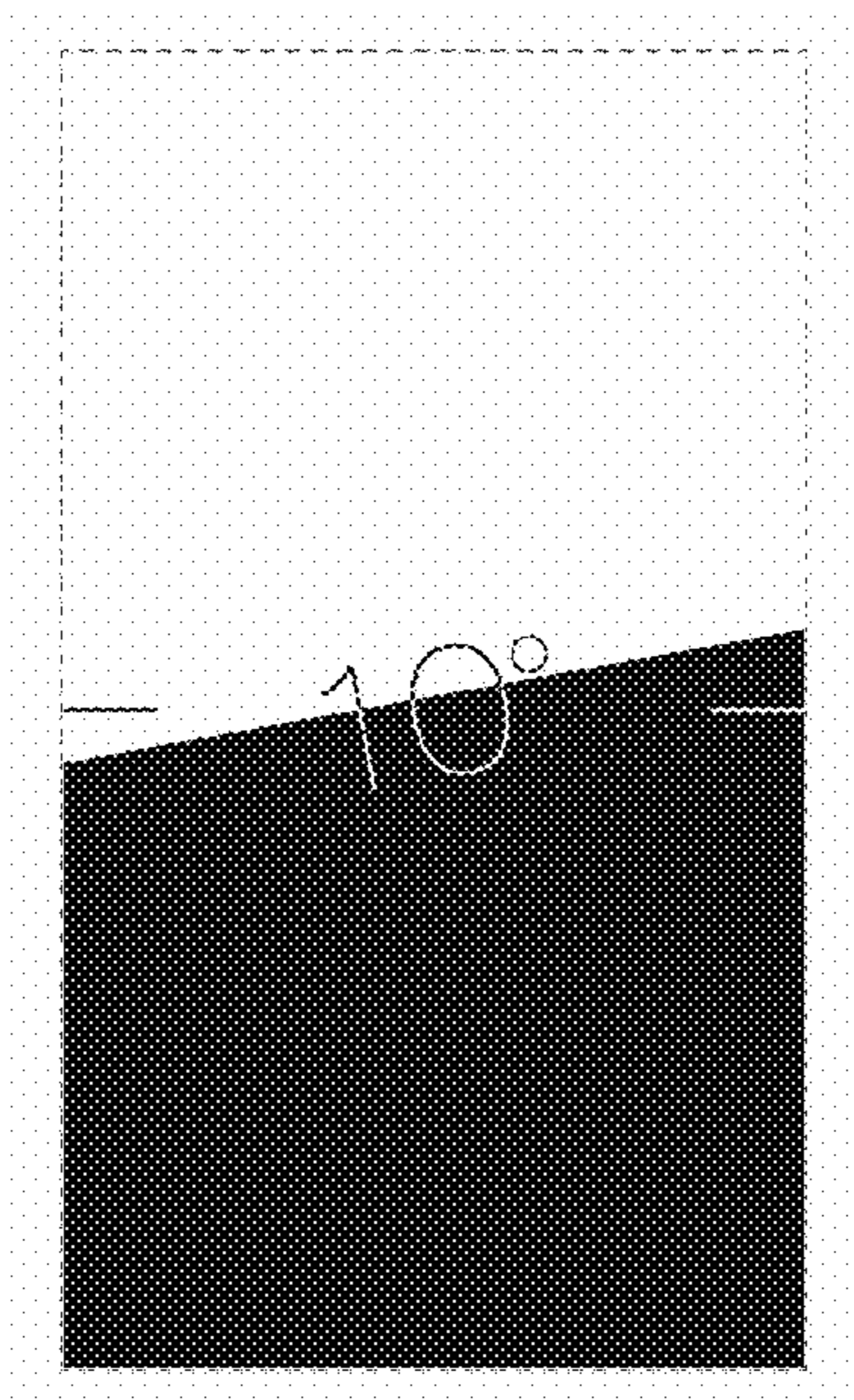
The file of this patent contains at least one drawing/photograph executed in color. Copies of this patent with color drawing(s)/photograph(s) will be provided by the Office upon request and payment of the necessary fee.

FIG. 1 is a front view of a display screen or portion thereof with animated graphical user interface showing a first image in the sequence showing our new of the claimed design; FIG. 2 is a second image thereof; and FIG. 3 is a third image thereof; FIG. 4 is another embodiment of a front view of a display screen or portion thereof with animated graphical user interface showing a first image of the claimed design; FIG. 5 is a second image thereof; and FIG. 6 is a third image thereof; FIG. 7 is another embodiment of a front view of a display screen or portion thereof with animated graphical user interface showing a first image of the claimed design; FIG. 8 is a second image thereof; and FIG. 9 is a third image thereof; FIG. 10 is another embodiment of a front view of a display screen or portion thereof with animated graphical user interface showing a first image of the claimed design; FIG. 11 is a second image thereof; and FIG. 12 is a third image thereof.

The subject matter in this patent includes a process or period in which an image changes into another image. This process or period forms no part of the claimed design.

The broken lines in the figures show a display screen or portion thereof, and form no part of the claimed design.

**1 Claim, 8 Drawing Sheets**  
**(8 of 8 Drawing Sheet(s) Filed in Color)**



**Related U.S. Application Data**

a continuation of application No. 29/457,320, filed on Jun. 9, 2013, now Pat. No. Des. 755,240.

- (52) **U.S. Cl.**  
CPC ..... *G06F 3/0617* (2013.01)
- (58) **Field of Classification Search**  
CPC ..... G06F 3/0481–3/0486  
See application file for complete search history.

(56) **References Cited**

U.S. PATENT DOCUMENTS

D625,733 S	10/2010	Anzures	
D750,130 S *	2/2016	Baumann .....	D14/491
D755,240 S *	5/2016	Cavander .....	G06F 3/04817 D14/494
D763,894 S *	8/2016	Lamparelli .....	D14/486
D764,516 S *	8/2016	Lamparelli .....	D14/486
D771,127 S *	11/2016	Akana .....	D14/489

\* cited by examiner

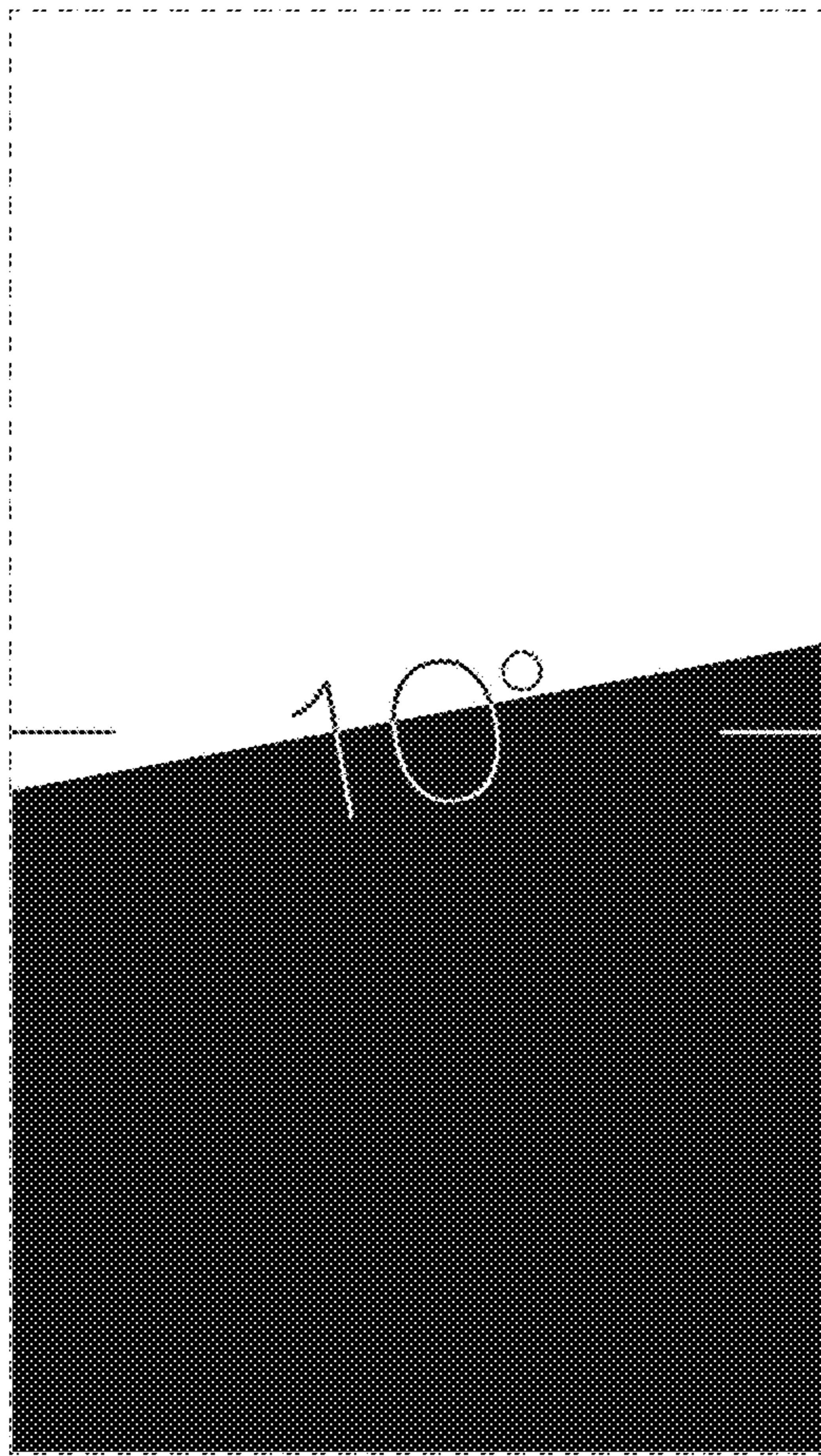


FIG. 1

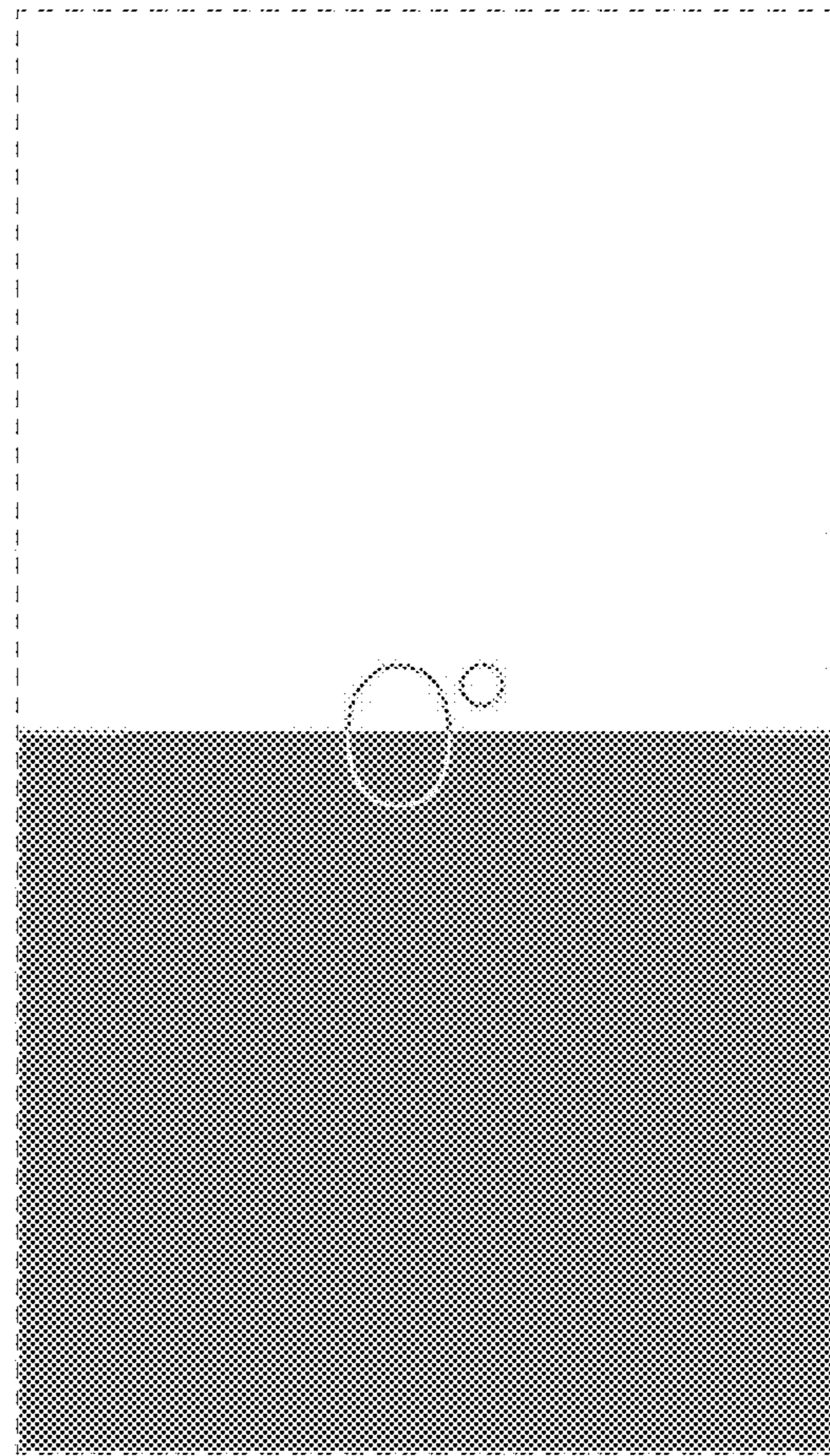


FIG. 2

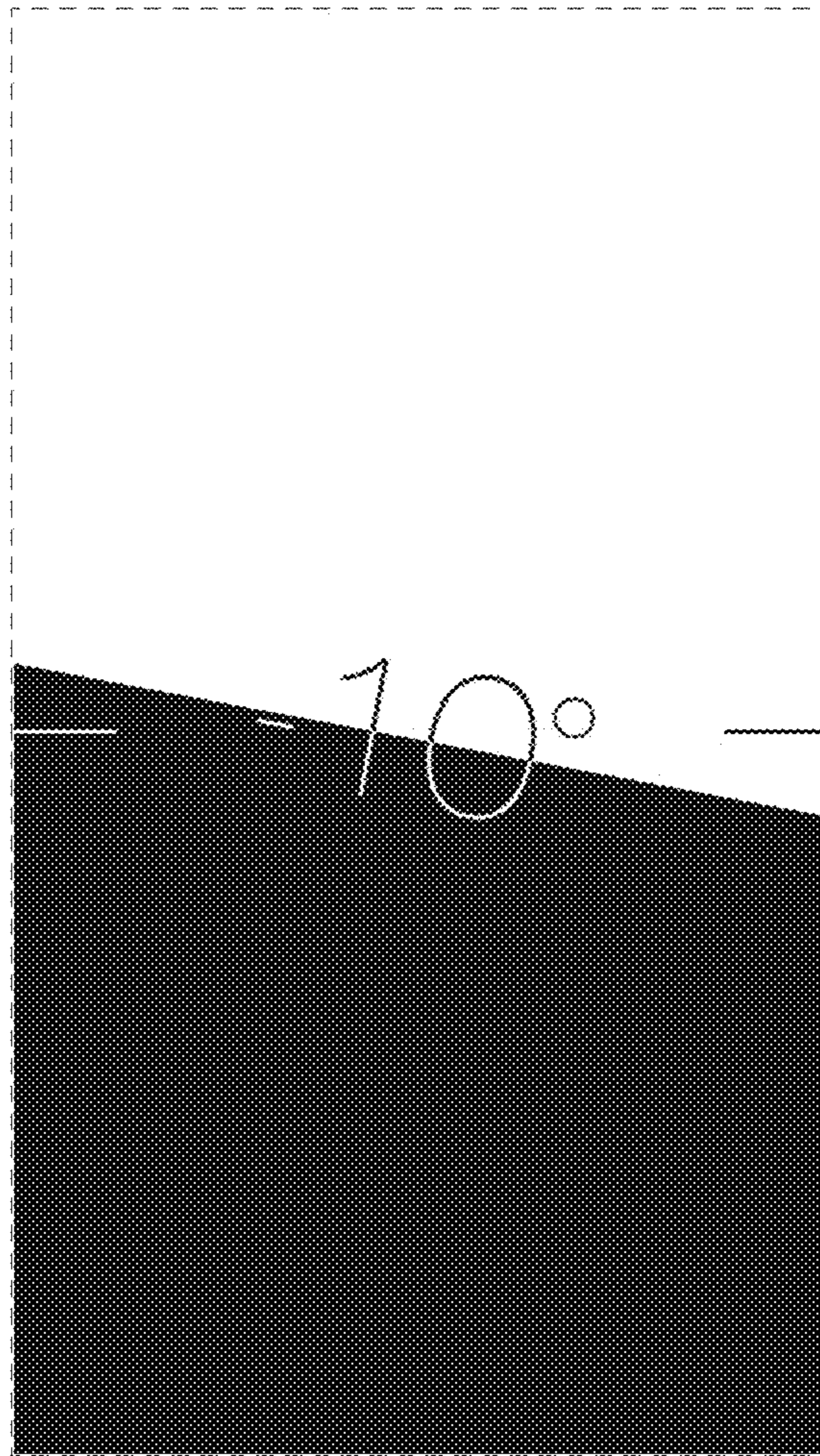


FIG. 3



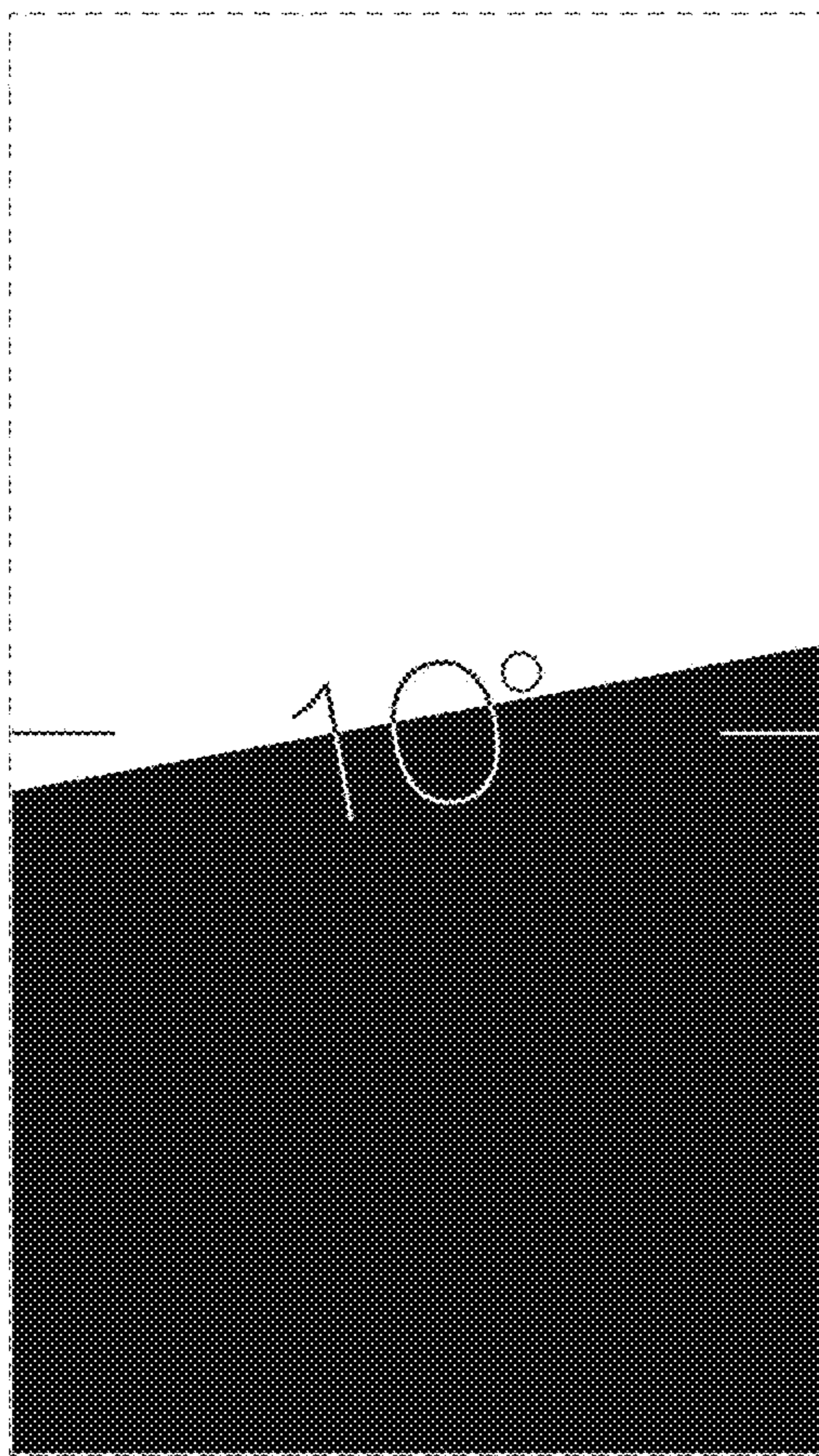


FIG. 4

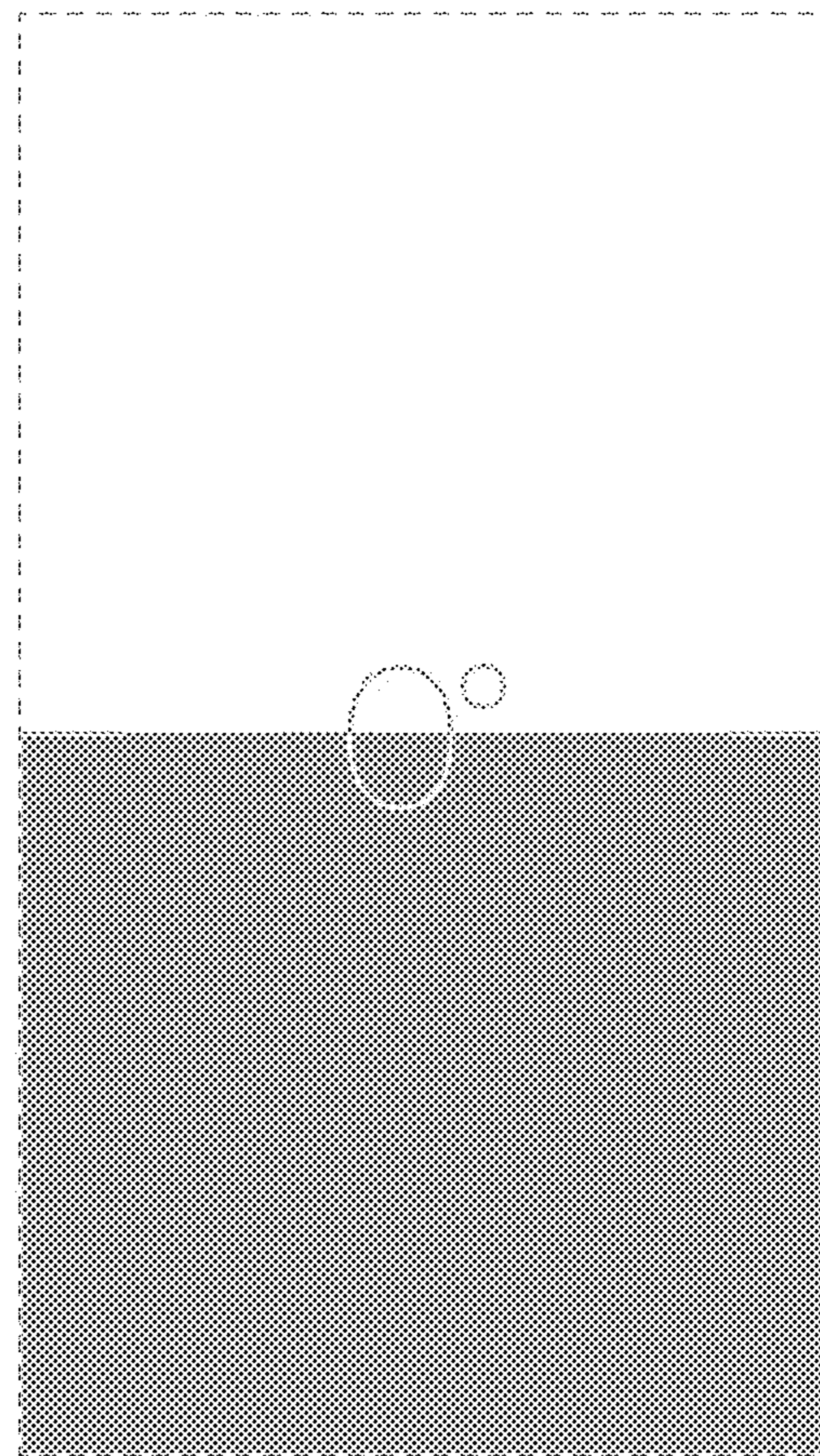


FIG. 5

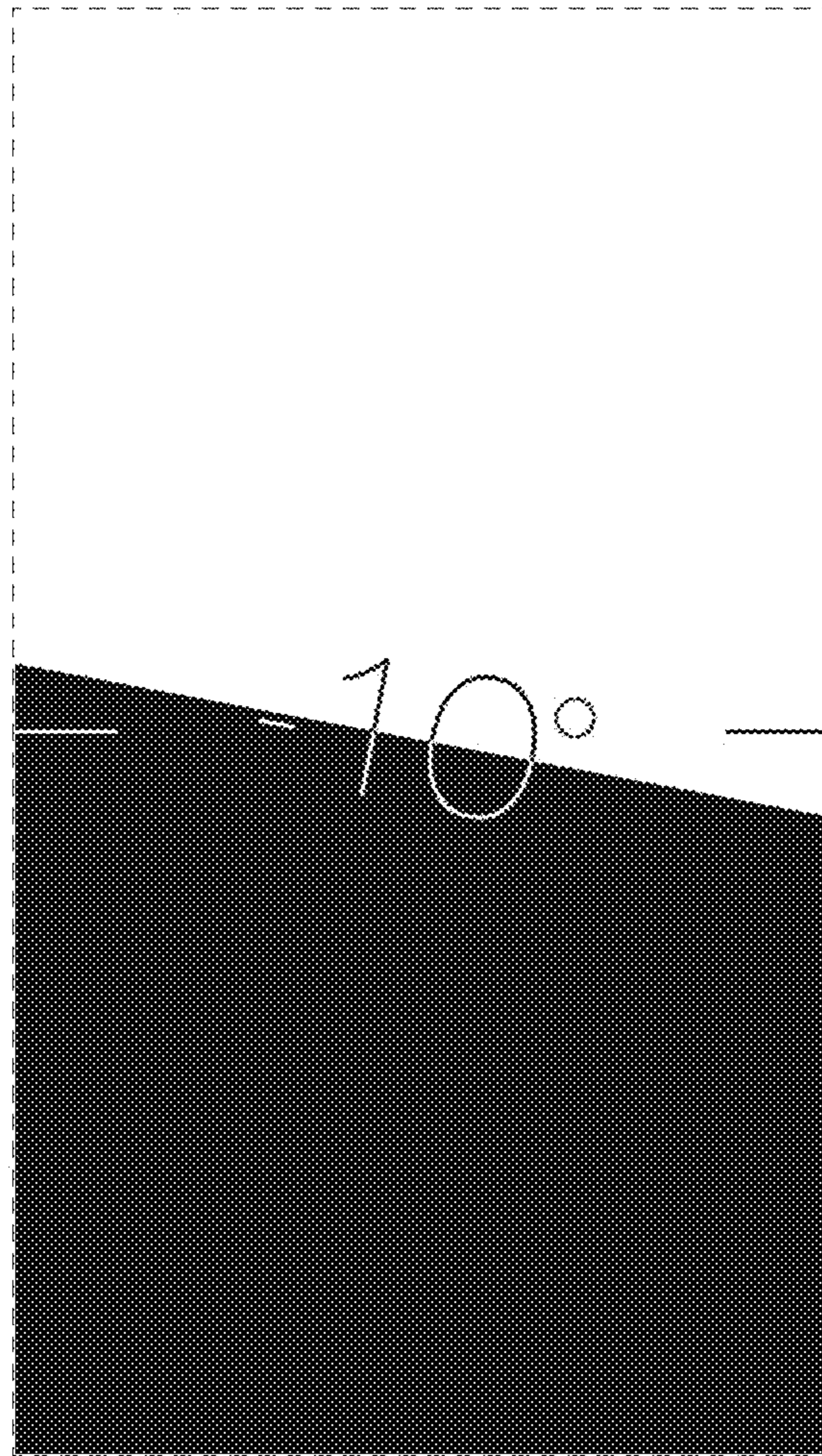


FIG. 6

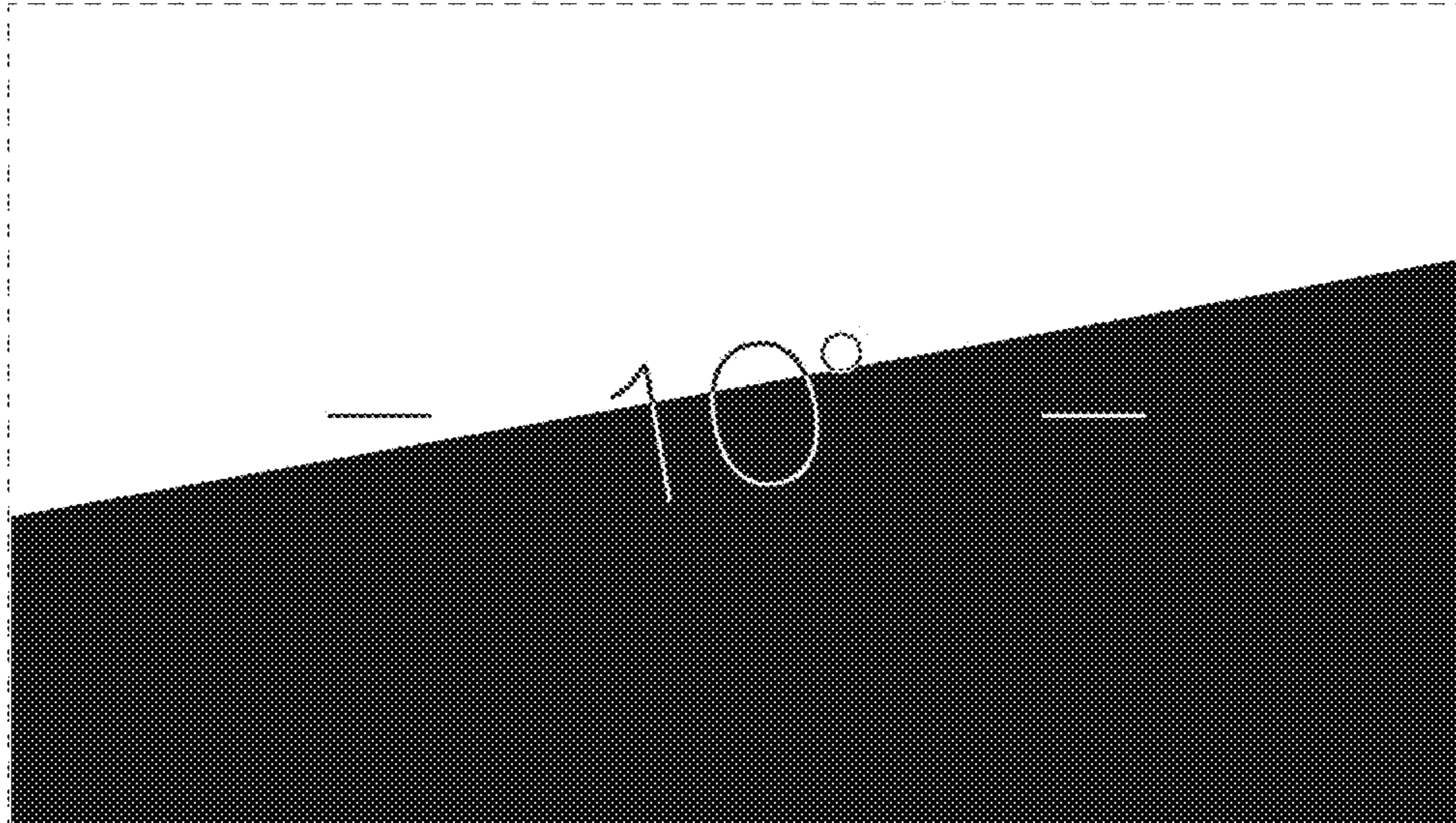


FIG. 7

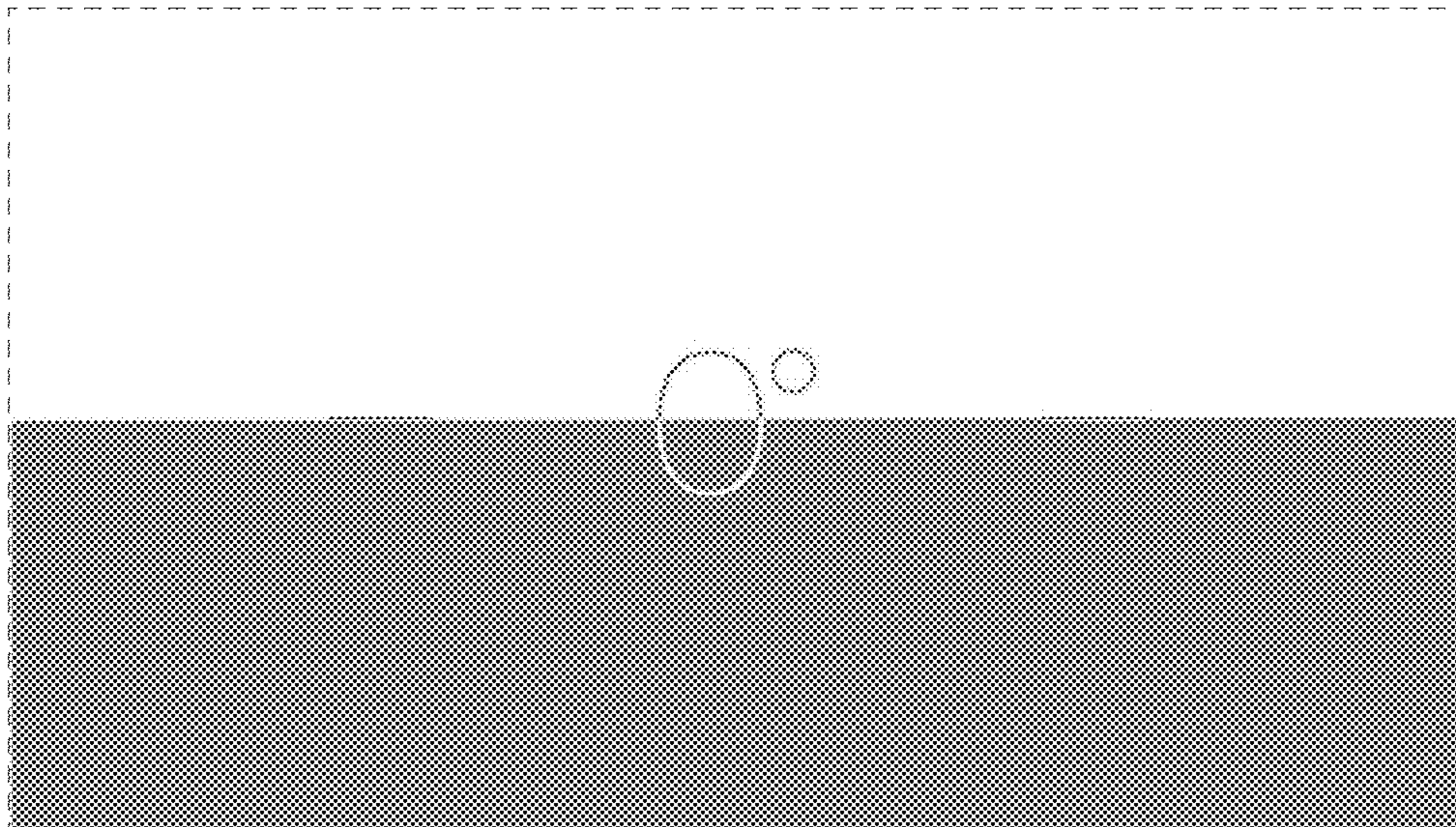


FIG. 8

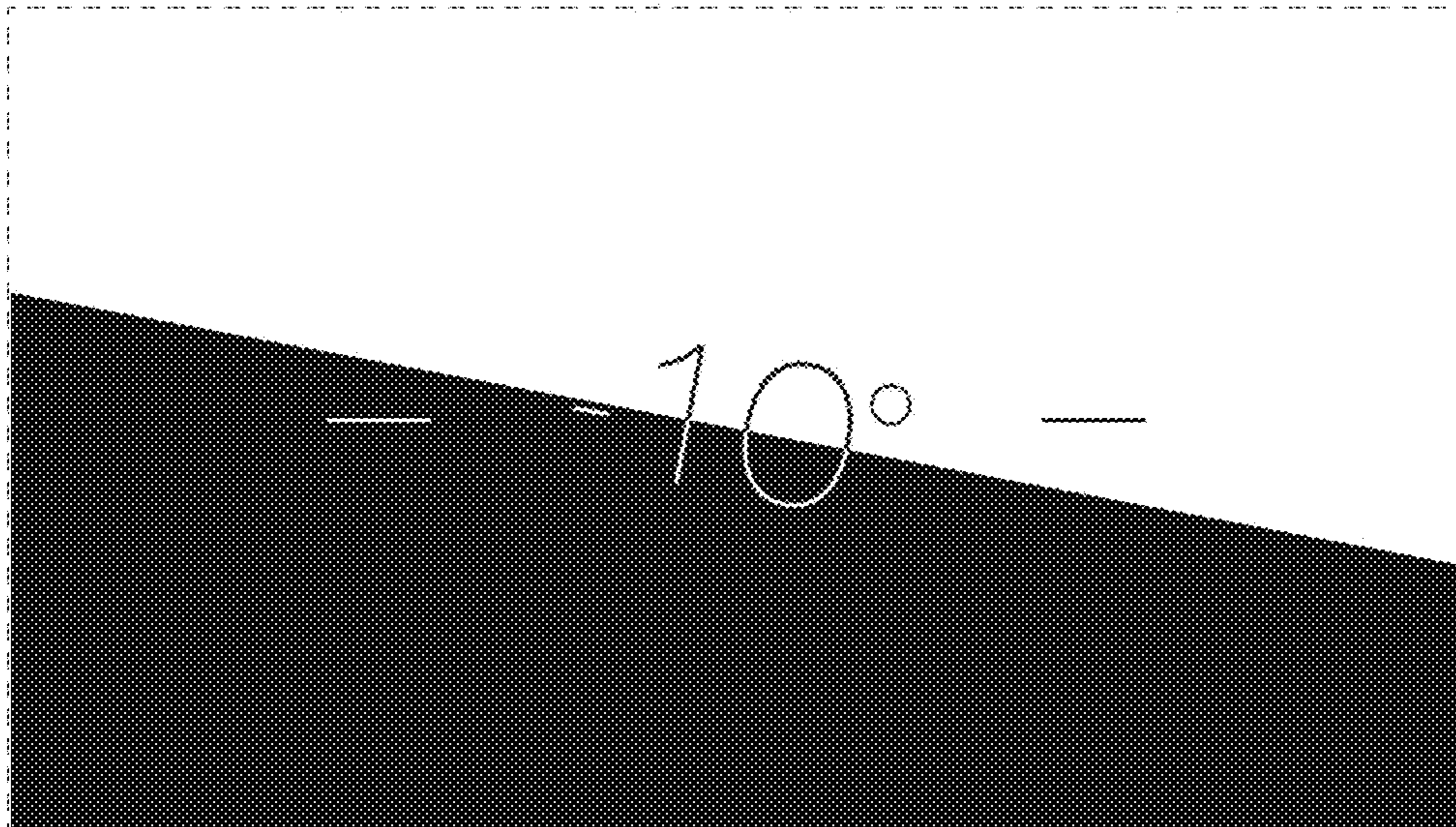


FIG. 9



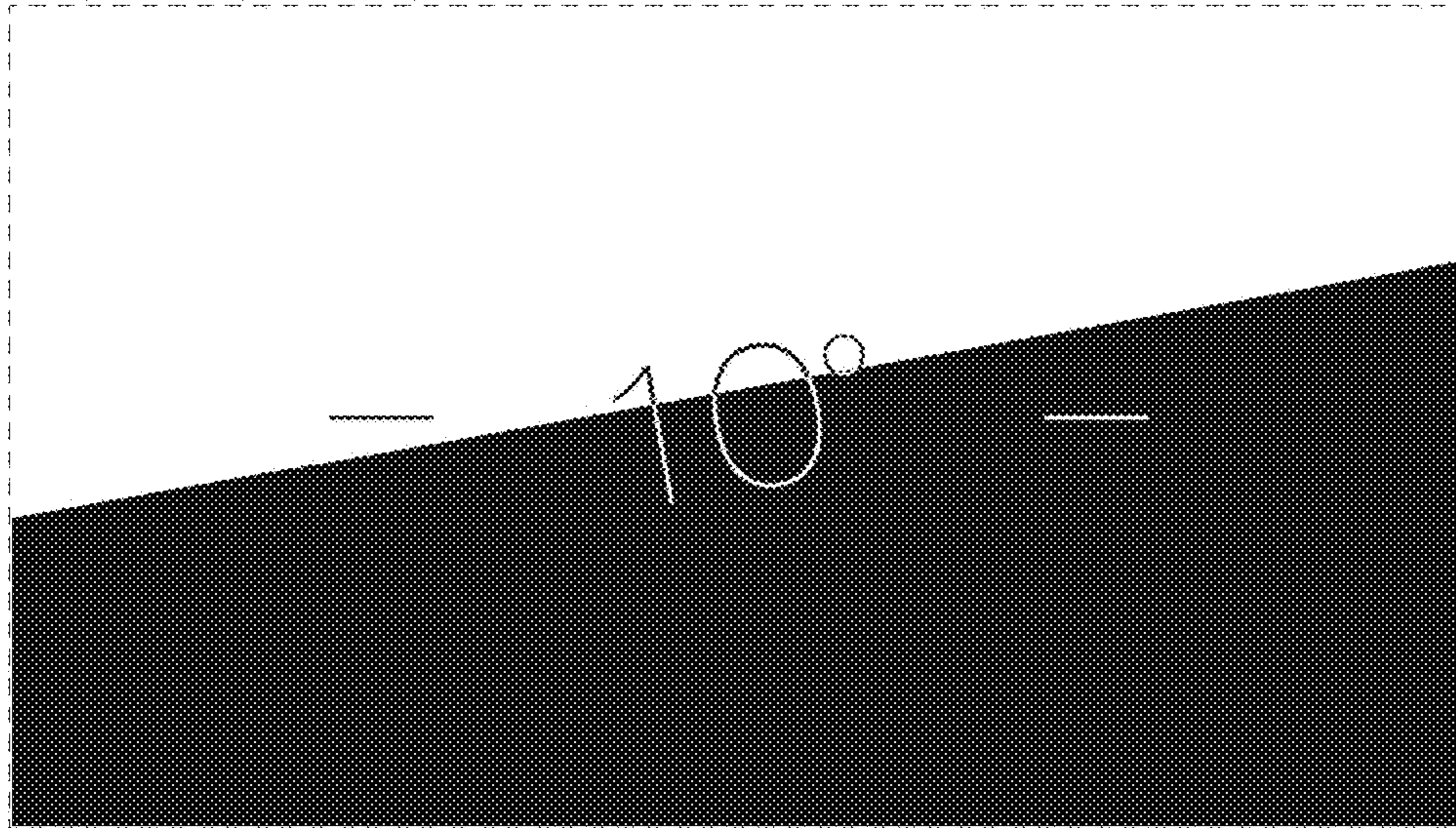


FIG. 10

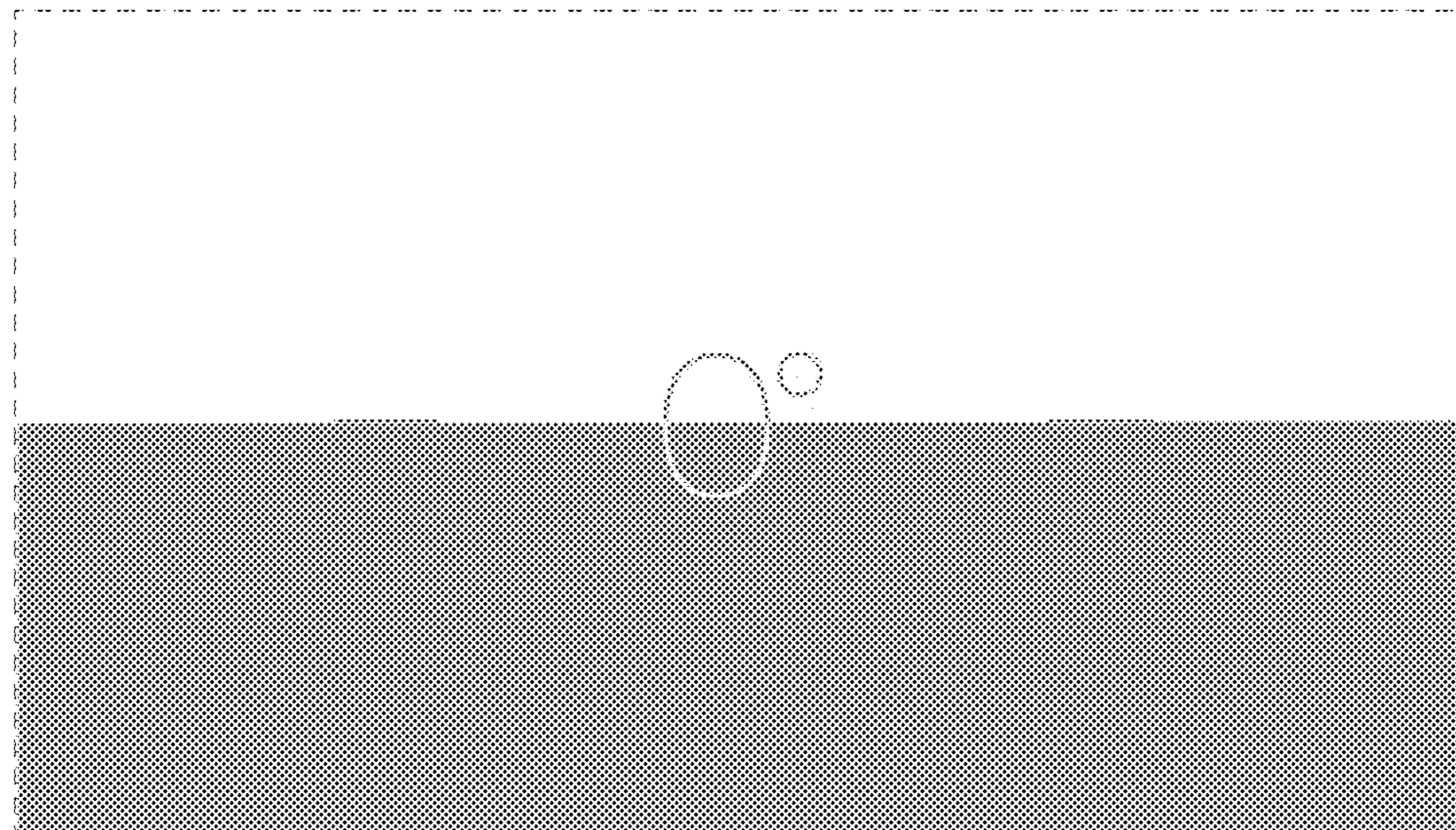


FIG. 11

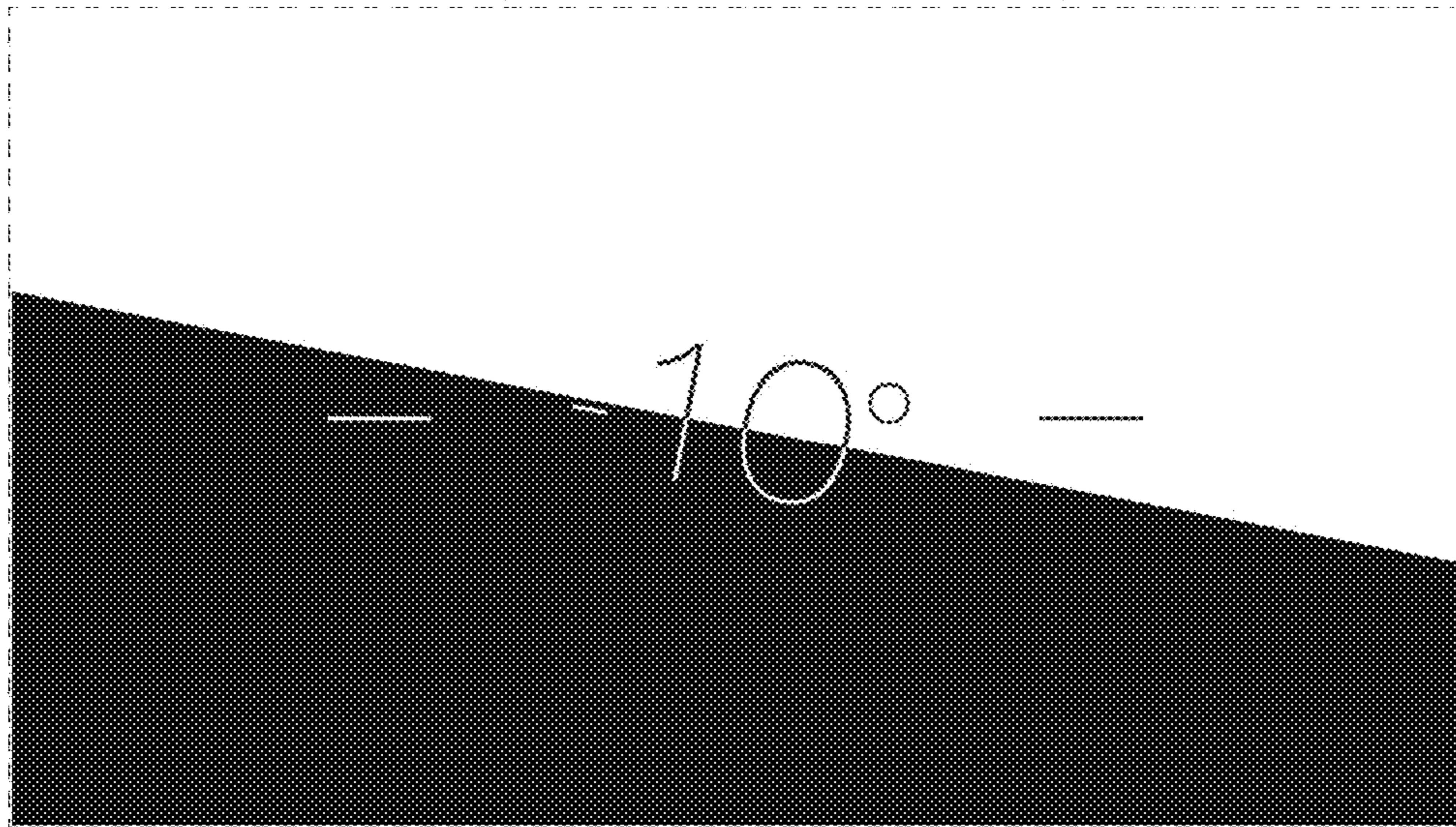


FIG. 12