



US00D788792S

(12) **United States Design Patent** (10) **Patent No.:** **US D788,792 S**  
**Alessandri et al.** (45) **Date of Patent:** **\*\* Jun. 6, 2017**

(54) **PORTION OF A DISPLAY SCREEN WITH A GRAPHICAL USER INTERFACE**

(71) Applicant: **TECHNOGYM S.p.A.**, Cesena (Forli'-Cesena) (IT)

(72) Inventors: **Nerio Alessandri**, Cesena (IT); **Federico Cortesi**, Coccolia (IT)

(73) Assignee: **TECHNOGYM S.p.A.**, Cesena (Forli'-Cesena) (IT)

(\*\*) Term: **15 Years**

(21) Appl. No.: **29/543,757**

(22) Filed: **Oct. 28, 2015**

(51) **LOC (10) Cl.** ..... **14-04**

(52) **U.S. Cl.**  
USPC ..... **D14/485**

(58) **Field of Classification Search**  
USPC ..... D14/485-495  
CPC ... G06F 3/0481; G06F 3/04817; G06T 13/80; G06T 15/02; H04N 1/00424  
See application file for complete search history.

(56) **References Cited**

**U.S. PATENT DOCUMENTS**

D550,696 S *	9/2007	Kortum .....	D14/491
D552,121 S *	10/2007	Carl .....	D14/488
D553,143 S *	10/2007	Blencowe .....	D14/486
D555,164 S *	11/2007	Sergio .....	D14/486
D604,327 S *	11/2009	LaManna .....	D14/492
D616,462 S *	5/2010	Loken .....	D14/492
D625,733 S *	10/2010	Anzures .....	D14/486
D629,410 S *	12/2010	Ray .....	D14/485
D637,196 S *	5/2011	Ray .....	D14/486
D644,652 S *	9/2011	van der Spek .....	D14/486
D644,658 S *	9/2011	Lemay .....	D14/492
D646,696 S *	10/2011	Loken .....	D14/492
D710,367 S *	8/2014	Quattrocchi .....	D14/485

D713,411 S *	9/2014	Gall .....	D14/485
D713,412 S *	9/2014	Gall .....	D14/485
D714,813 S *	10/2014	Oda .....	D14/485
D716,325 S *	10/2014	Brudnicki .....	D14/486
D725,133 S *	3/2015	Smirin .....	D14/486
D725,663 S *	3/2015	Yoneda .....	D14/486
D726,747 S *	4/2015	Yoneda .....	D14/486
D731,534 S *	6/2015	Jeon .....	D14/488
D733,720 S *	7/2015	Mueller .....	D14/485
D735,740 S *	8/2015	Yoneda .....	D14/486
D736,227 S *	8/2015	Yoneda .....	D14/486
D737,288 S *	8/2015	Oda .....	D14/485

(Continued)

*Primary Examiner* — Mary Ann Calabrese

*Assistant Examiner* — Sloan Rozin

(74) *Attorney, Agent, or Firm* — Thomas | Horstemeyer, LLP

(57) **CLAIM**

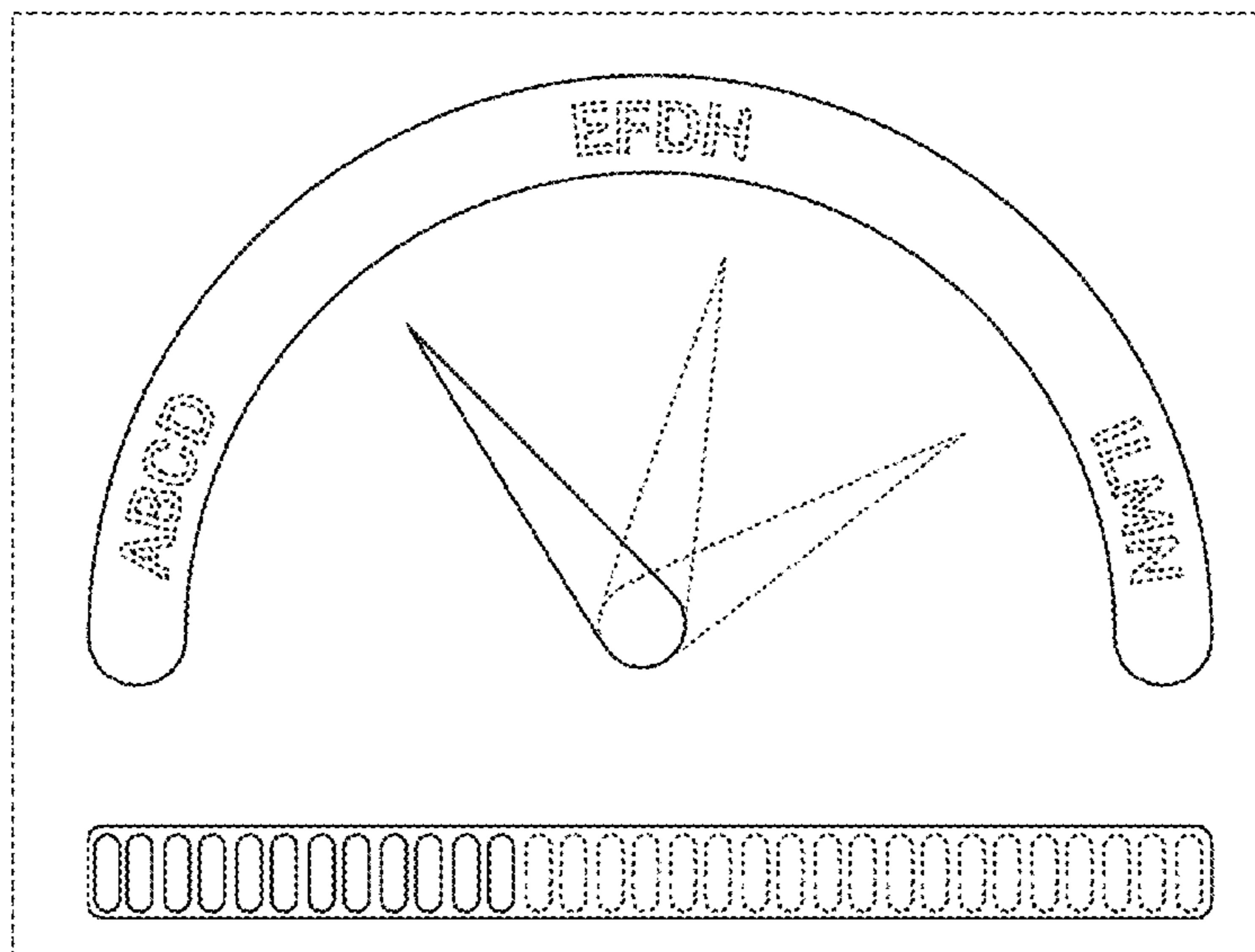
The ornamental design for a portion of a display screen with a graphical user interface, as shown and described.

**DESCRIPTION**

FIG. 1 is a front view of a portion of a display screen with graphical user interface showing our new design; FIG. 2 is a front view of a portion of the display screen showing a second embodiment of the graphical user interface of FIG. 1; FIG. 3 is a front view of a portion of the display screen showing a third embodiment of the graphical user interface of FIG. 1; and, FIG. 4 is an embodiment of a front view of a portion of a display screen showing a fourth embodiment of the graphical user interface of FIG. 1.

The broken line showing of the display screen is for the purpose of illustrating environment and forms no part of the claimed design. The broken line showing of elements on the display screen illustrate portions of the article and form no part of the claimed design.

**1 Claim, 4 Drawing Sheets**



(56)

References Cited

U.S. PATENT DOCUMENTS

D747,325	S *	1/2016	Yoo .....	D14/485
D747,738	S *	1/2016	Park .....	D14/492
D748,141	S *	1/2016	Park .....	D14/492
D748,144	S *	1/2016	Kwon .....	D14/492
D749,106	S *	2/2016	Lisseman .....	D14/486
D749,107	S *	2/2016	Amiya .....	D14/486
D758,410	S *	6/2016	Woo .....	D14/487
D762,225	S *	7/2016	Cao .....	D14/485
D762,665	S *	8/2016	Lee .....	D14/485
D764,491	S *	8/2016	Green .....	D14/485
D764,516	S *	8/2016	Lamparelli .....	D14/486
D766,302	S *	9/2016	Phelan .....	D14/486
D766,305	S *	9/2016	Mochizuki .....	D14/487
D768,167	S *	10/2016	Jones .....	D14/486
2004/0032420	A1 *	2/2004	Allen .....	G06Q 40/00 715/700
2006/0074586	A1 *	4/2006	Kautz .....	G01K 7/42 702/130
2006/0289465	A1 *	12/2006	Balk .....	F24C 7/082 219/506
2007/0252684	A1 *	11/2007	Fournier .....	G01D 11/28 340/441
2008/0086703	A1 *	4/2008	Flynt .....	G06F 3/0482 715/853
2009/0121853	A1 *	5/2009	Eich .....	B60K 37/02 340/438

\* cited by examiner

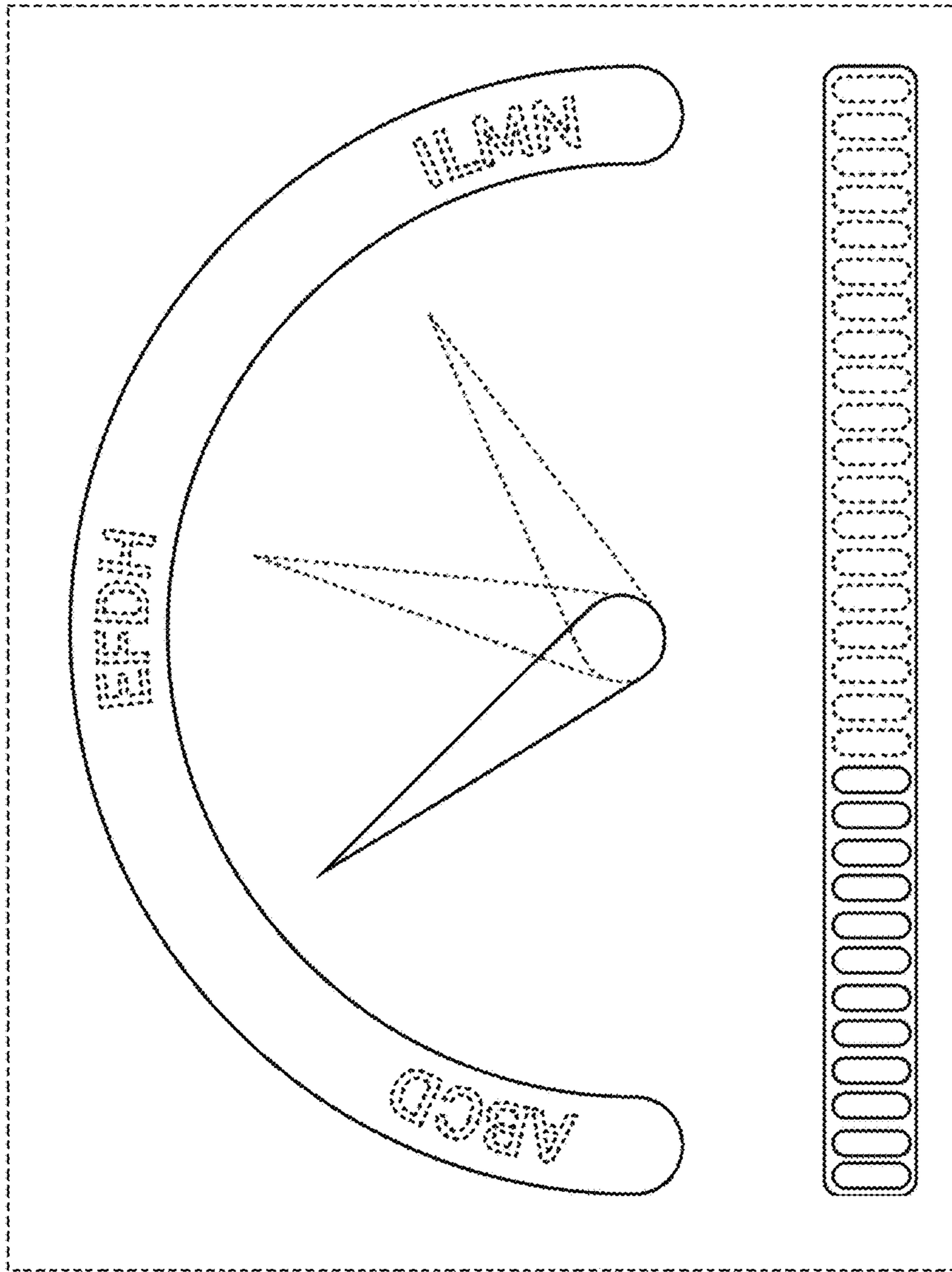


FIG. 1

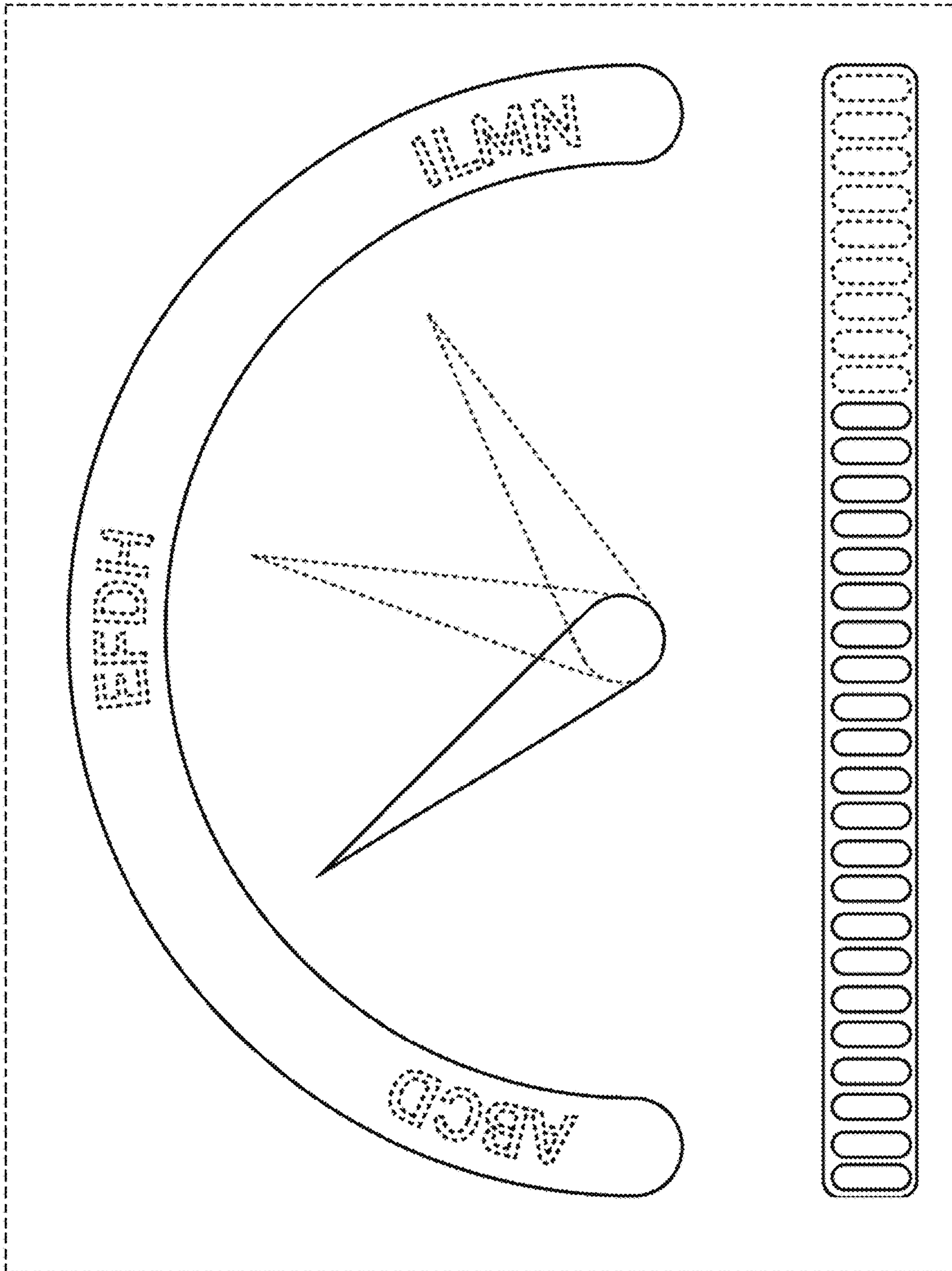


FIG. 2

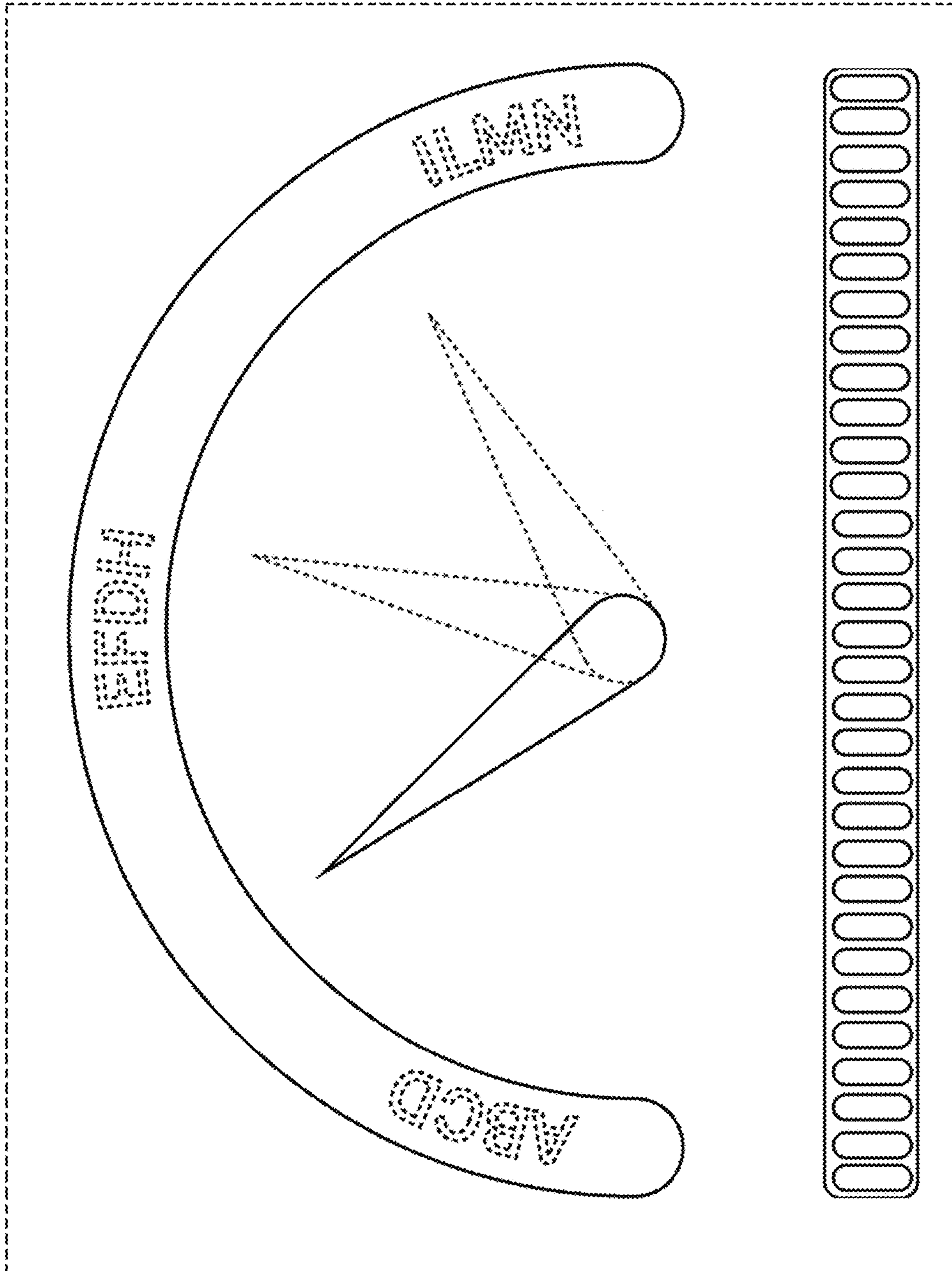


FIG. 3

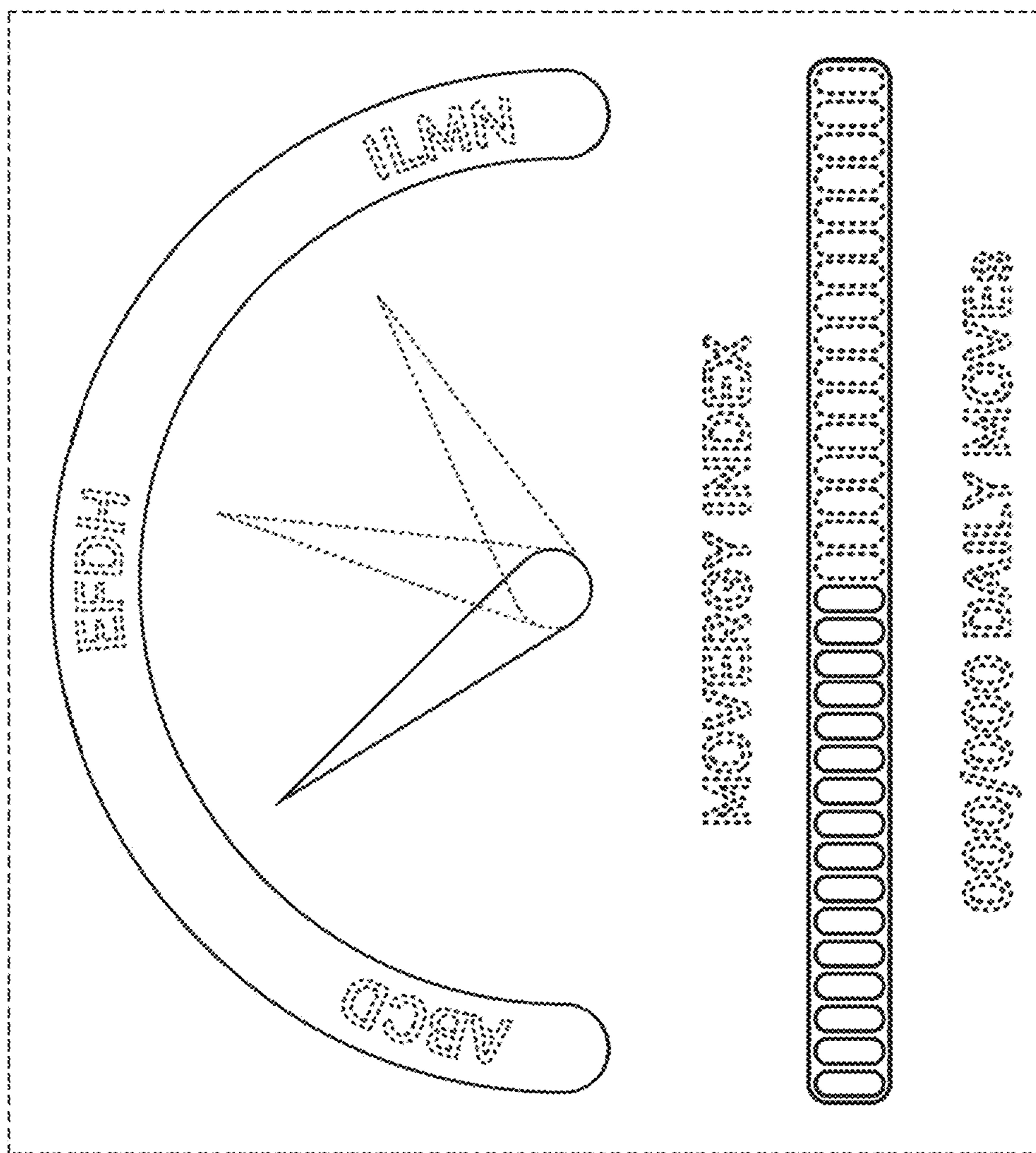


FIG. 4