



US00D788790S

(12) **United States Design Patent** (10) **Patent No.:** **US D788,790 S**
Omata (45) **Date of Patent:** **** Jun. 6, 2017**

(54) **DIGITAL CAMERA WITH DISPLAY
SCREENS HAVING GRAPHICAL USER
INTERFACES**

(71) Applicant: **FUJIFILM Corporation**, Tokyo (JP)

(72) Inventor: **Takeharu Omata**, Tokyo (JP)

(73) Assignee: **FUJIFILM Corporation**, Tokyo (JP)

(**) Term: **14 Years**

(21) Appl. No.: **29/517,914**

(22) Filed: **Feb. 18, 2015**

(30) **Foreign Application Priority Data**

Aug. 19, 2014 (JP) 2014-017960

(51) **LOC (10) Cl.** **14-04**

(52) **U.S. Cl.**
USPC **D14/485**

(58) **Field of Classification Search**
USPC D14/485-495; D16/200, 219, 220, 228,
D16/238

CPC G06F 3/04817; G06F 3/04897
See application file for complete search history.

(56) **References Cited**

U.S. PATENT DOCUMENTS

- 5,726,672 A * 3/1998 Hernandez G06F 3/04897
345/22
- D395,295 S * 6/1998 Wanishi D14/489
- 5,903,255 A * 5/1999 Busch G06T 11/001
345/594
- 7,180,524 B1 * 2/2007 Axelrod G01J 3/522
345/593
- D575,297 S * 8/2008 Glezer D14/486
- D689,904 S * 9/2013 Aoshima D14/489
- D712,430 S * 9/2014 Jang D14/489
- D713,852 S * 9/2014 Glezer D14/486
- D714,319 S * 9/2014 Pereira D14/485

(Continued)

Primary Examiner — Richelle G Shelton

(74) *Attorney, Agent, or Firm* — Sughrue Mion, PLLC

(57) **CLAIM**

The ornamental design for a digital camera with display screens having graphical user interfaces, as shown and described.

DESCRIPTION

The file of this patent contains at least one drawing/photograph executed in color. Copies of this patent with color drawing(s)/photograph(s) will be provided by the Office upon request and payment of the necessary fee.

FIG. 1 is a top, rear and left side perspective view of a digital camera with display screens having graphical user interfaces showing my new design;

FIG. 2 is a front elevational view thereof;

FIG. 3 is a rear elevational view thereof;

FIG. 4 is a top plan view thereof;

FIG. 5 is a bottom plan view thereof;

FIG. 6 is a left side elevational view thereof;

FIG. 7 is a right side elevational view thereof;

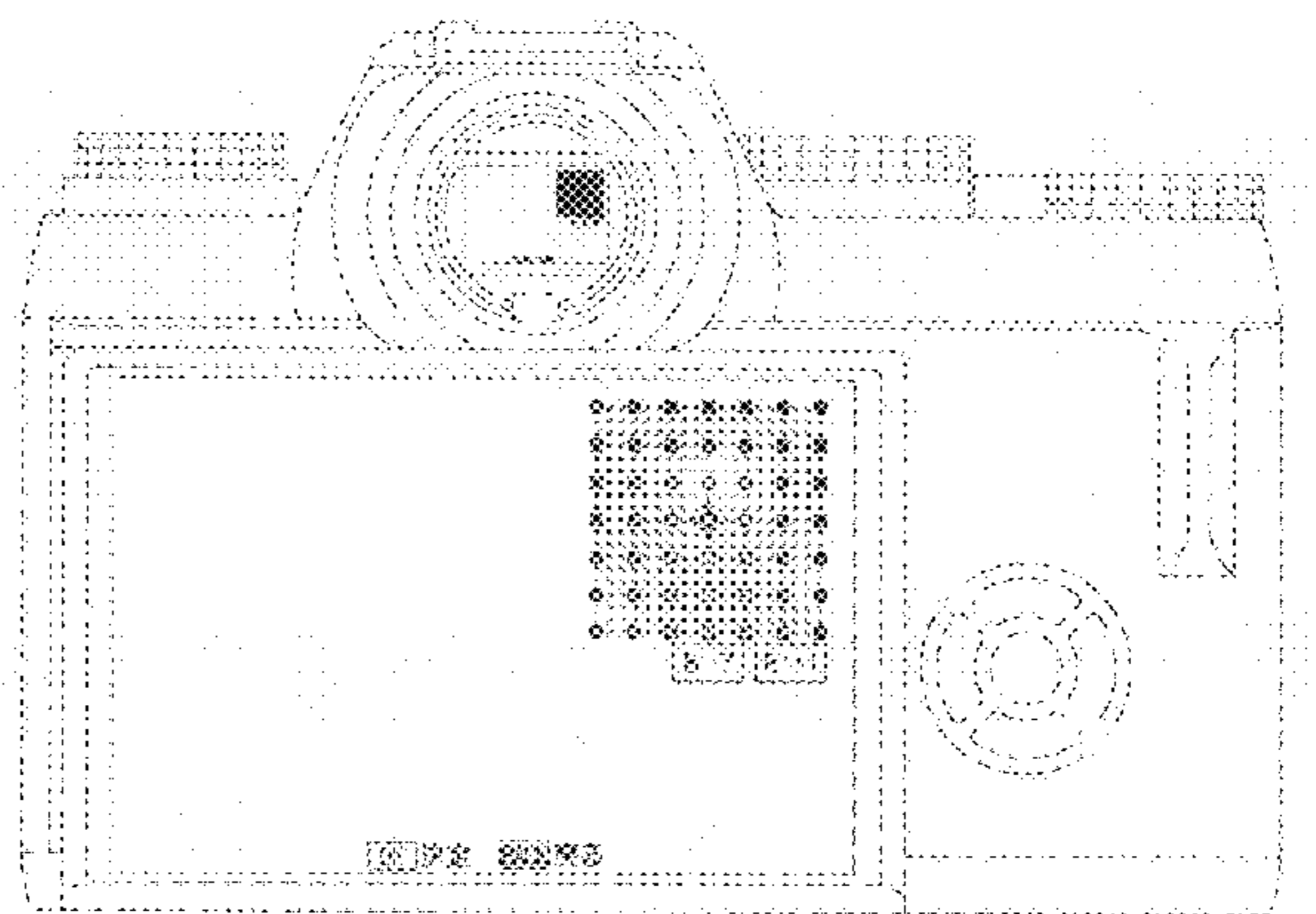
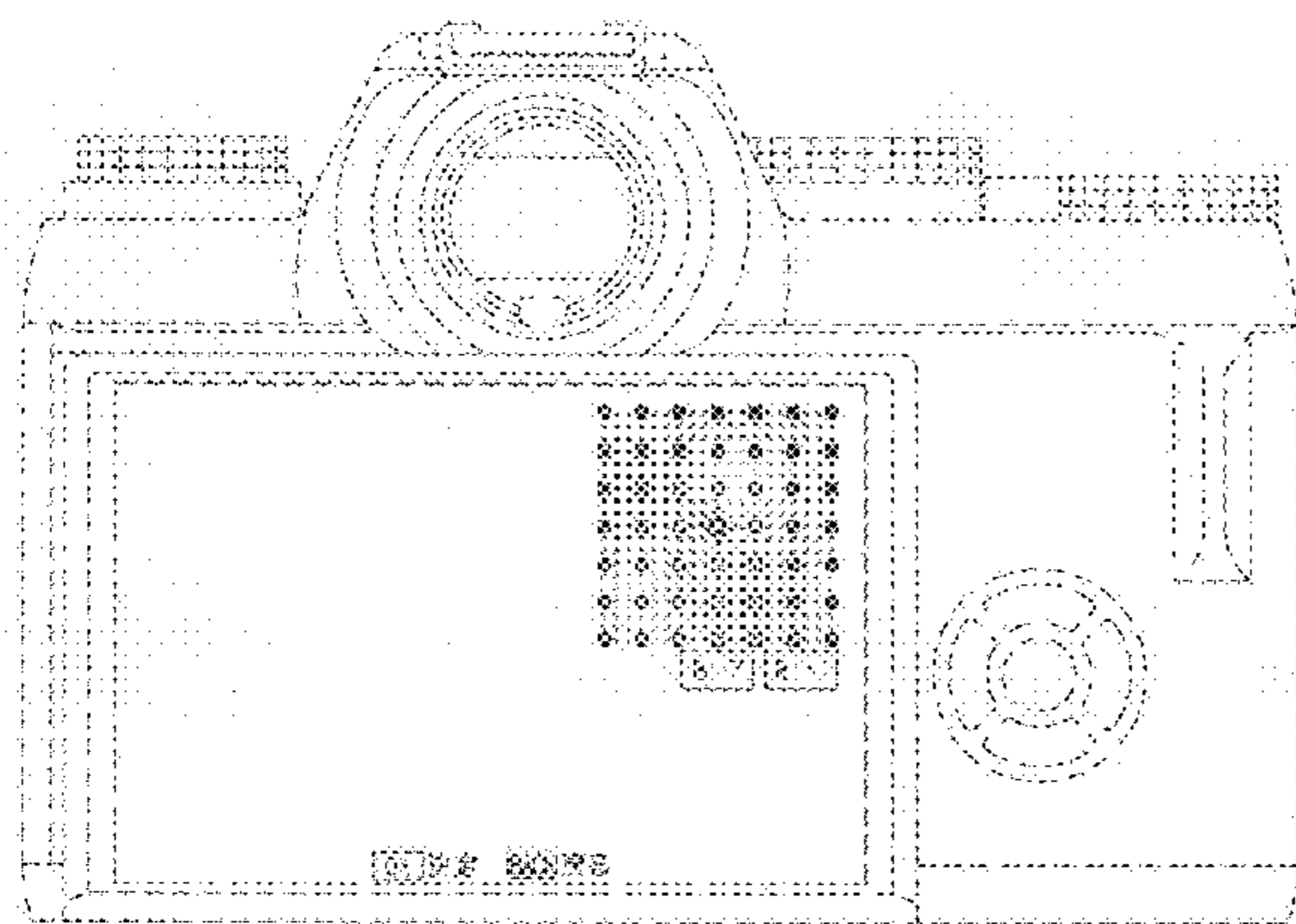
FIG. 8 is an annotated, enlarged detail view of the camera body display screen thereof, shown separately for clarity of illustration;

FIG. 9 is an enlarged detail view of the area defined by lines IX-IX of FIG. 8; and,

FIG. 10 is a rear elevational view of a second embodiment of the digital camera with display screens having graphical user interfaces, in which the graphical user interface described in FIG. 8 is displayed on the camera body display screen and on the viewfinder display screen.

The broken line showing of the digital camera, display screens and remaining areas of the graphical user interfaces forms no part of the claimed design.

1 Claim, 10 Drawing Sheets
(5 of 10 Drawing Sheet(s) Filed in Color)



(56)

References Cited

U.S. PATENT DOCUMENTS

D715,834	S *	10/2014	Siddons	D14/489
D749,085	S *	2/2016	Furue	D14/485
2007/0075971	A1 *	4/2007	Chun	G06F 3/038
					345/158
2015/0052481	A1 *	2/2015	Ronkainen	G06F 3/0416
					715/815
2015/0121185	A1 *	4/2015	Holt	G06F 3/04817
					715/212
2015/0135119	A1 *	5/2015	Cappione, III	G06F 3/04817
					715/771
2015/0169180	A1 *	6/2015	Lin	G06F 3/017
					715/765
2015/0193120	A1 *	7/2015	Leventhal	G06F 3/04817
					715/765

* cited by examiner

FIG. 1

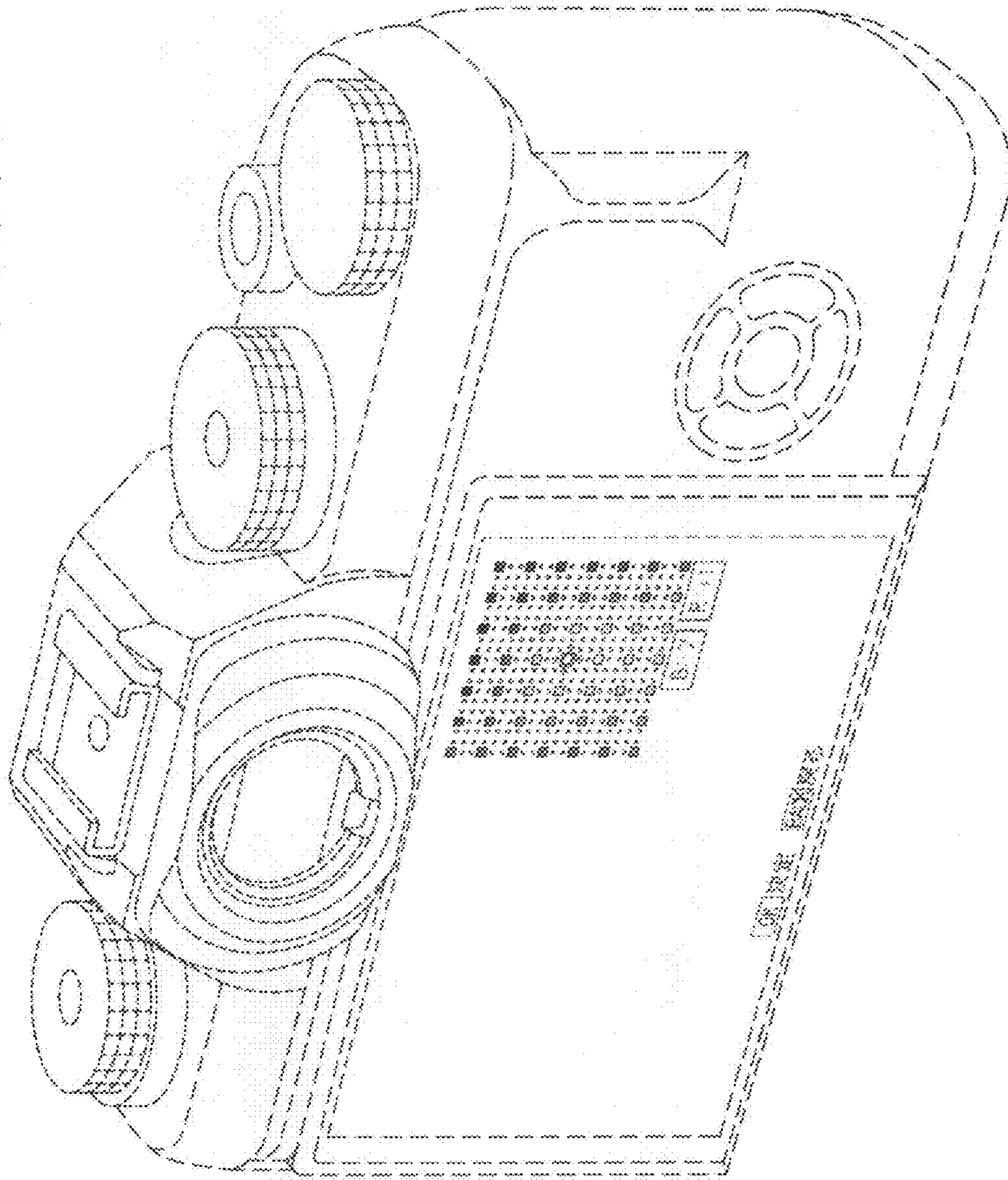


FIG. 2

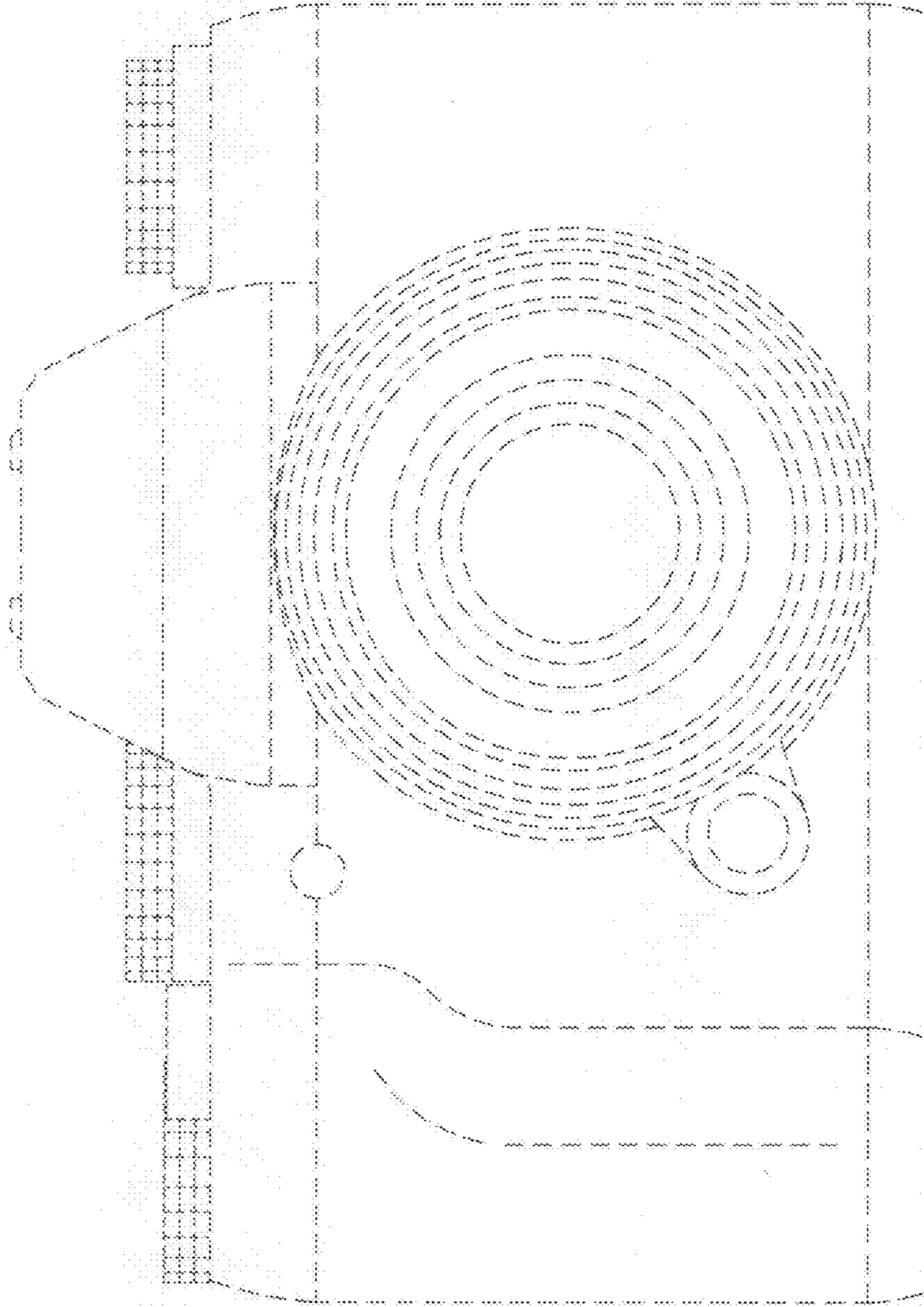


FIG. 3

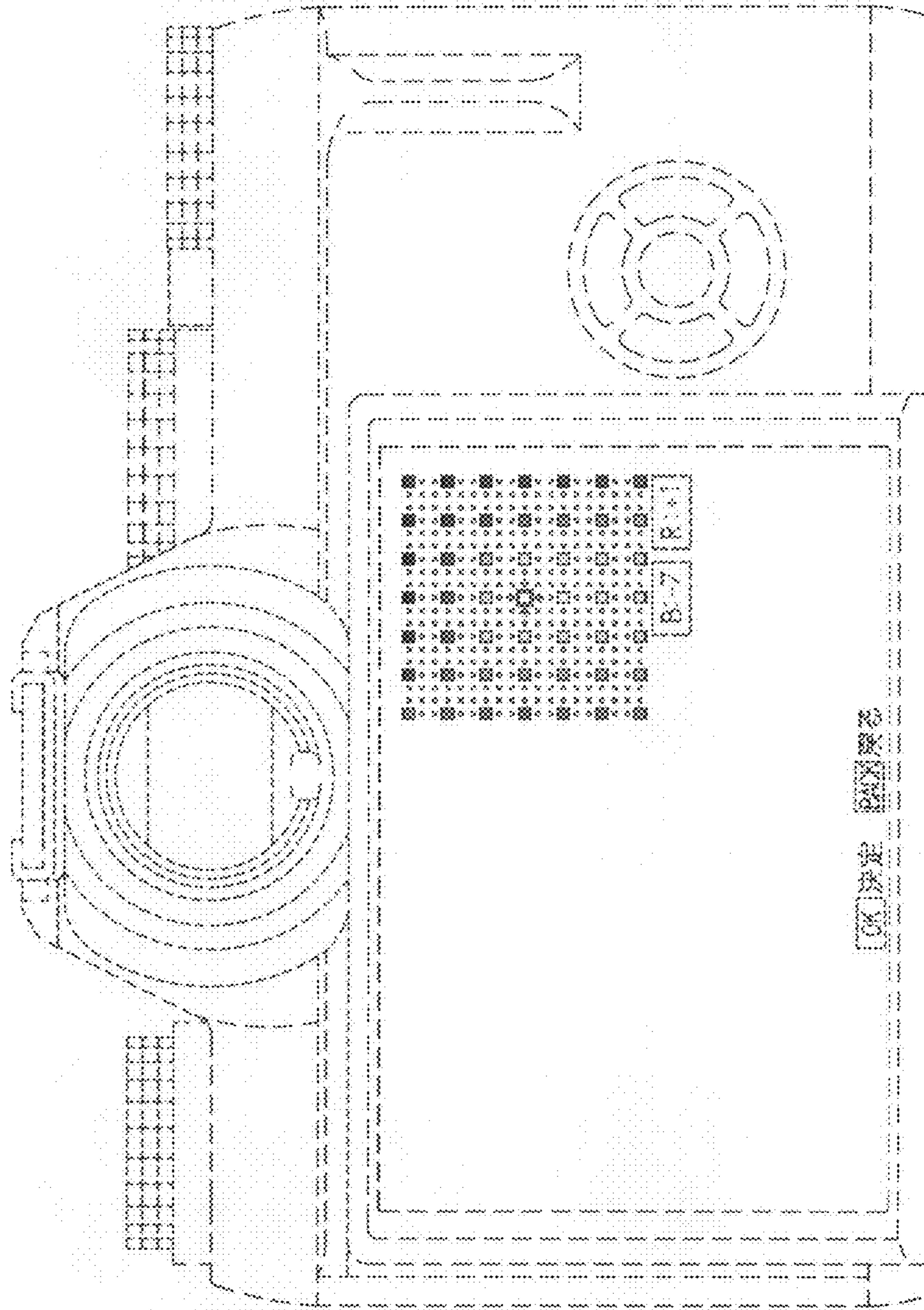


FIG. 4

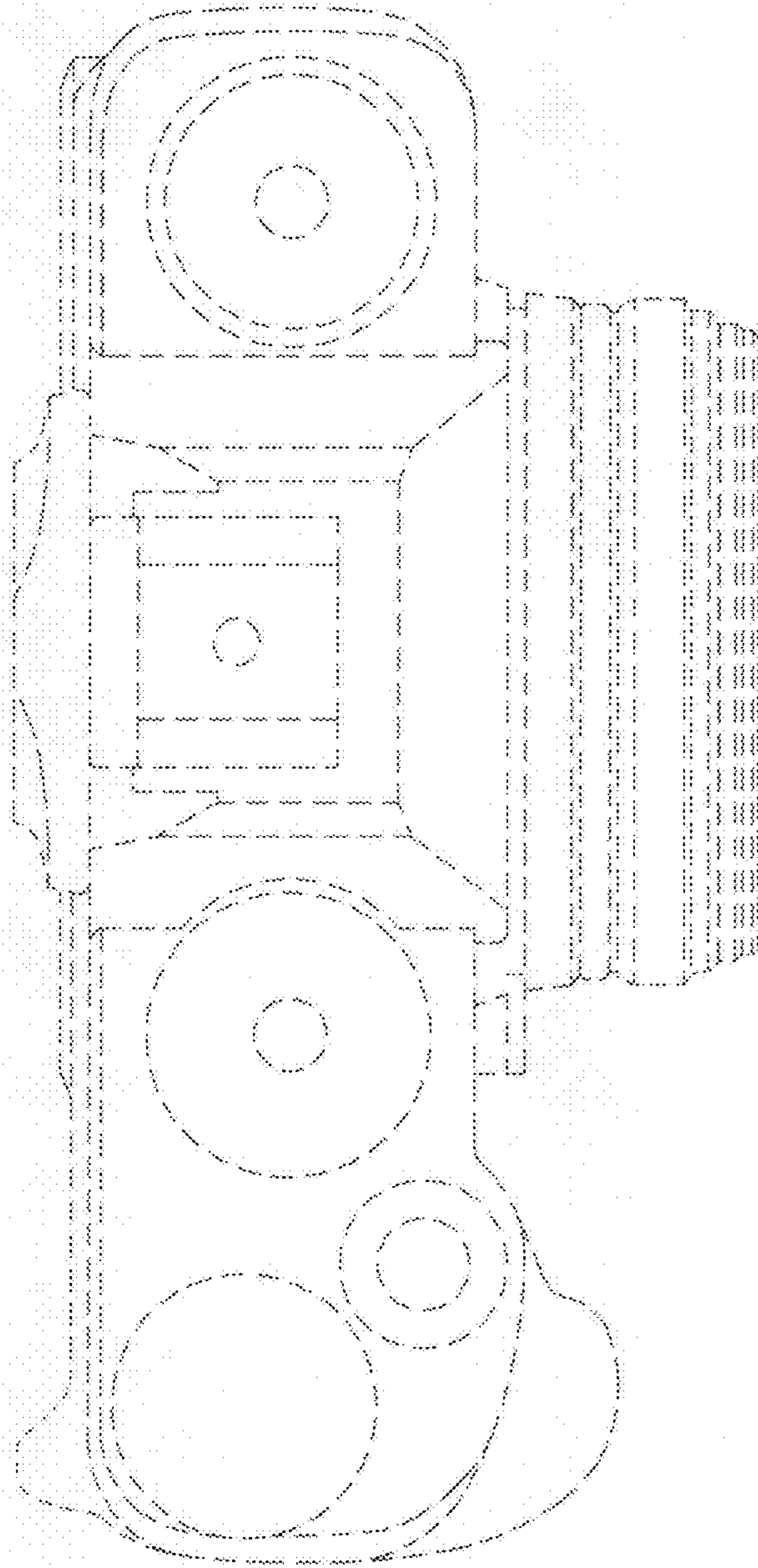


FIG. 5

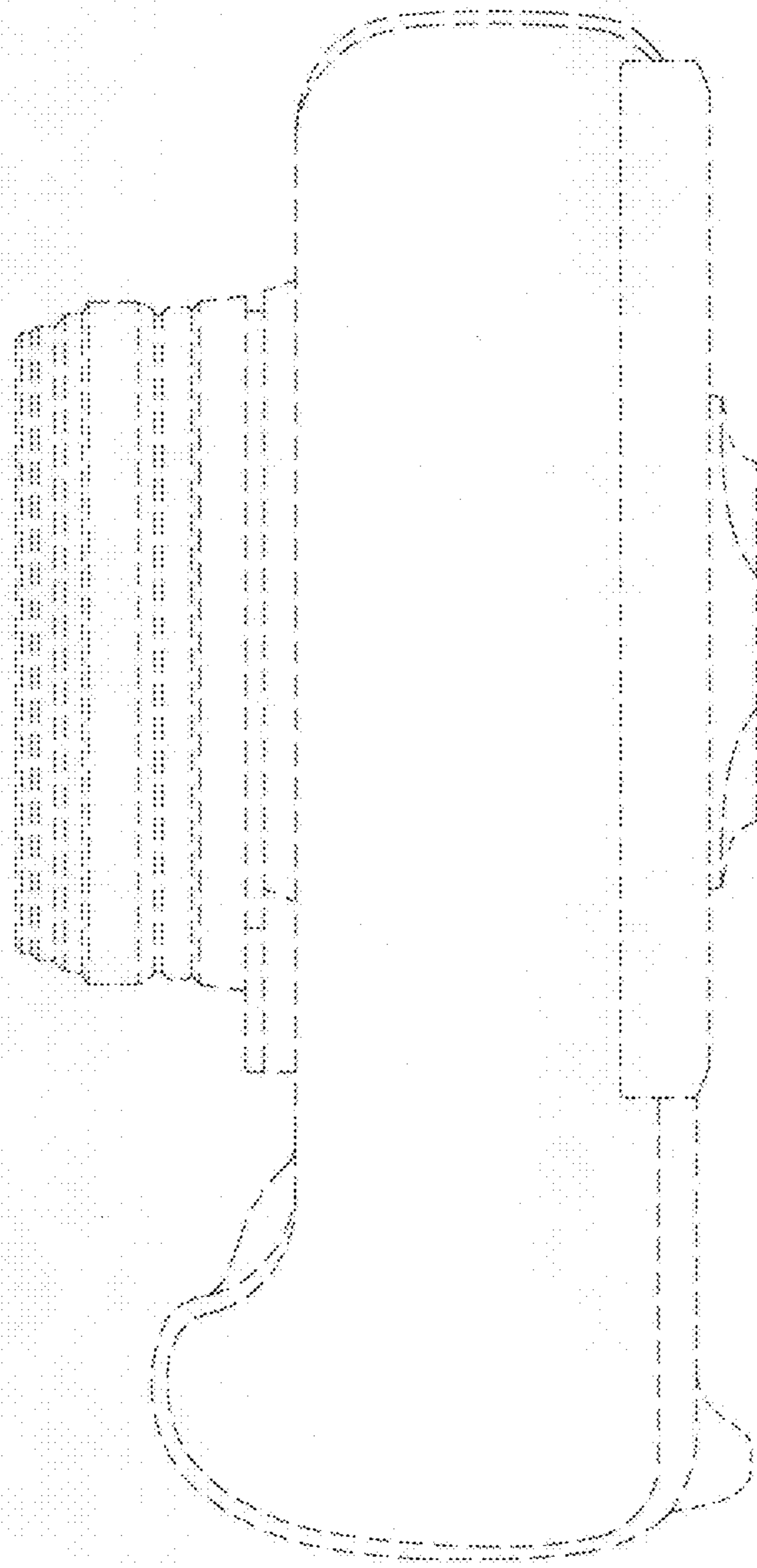


FIG. 6

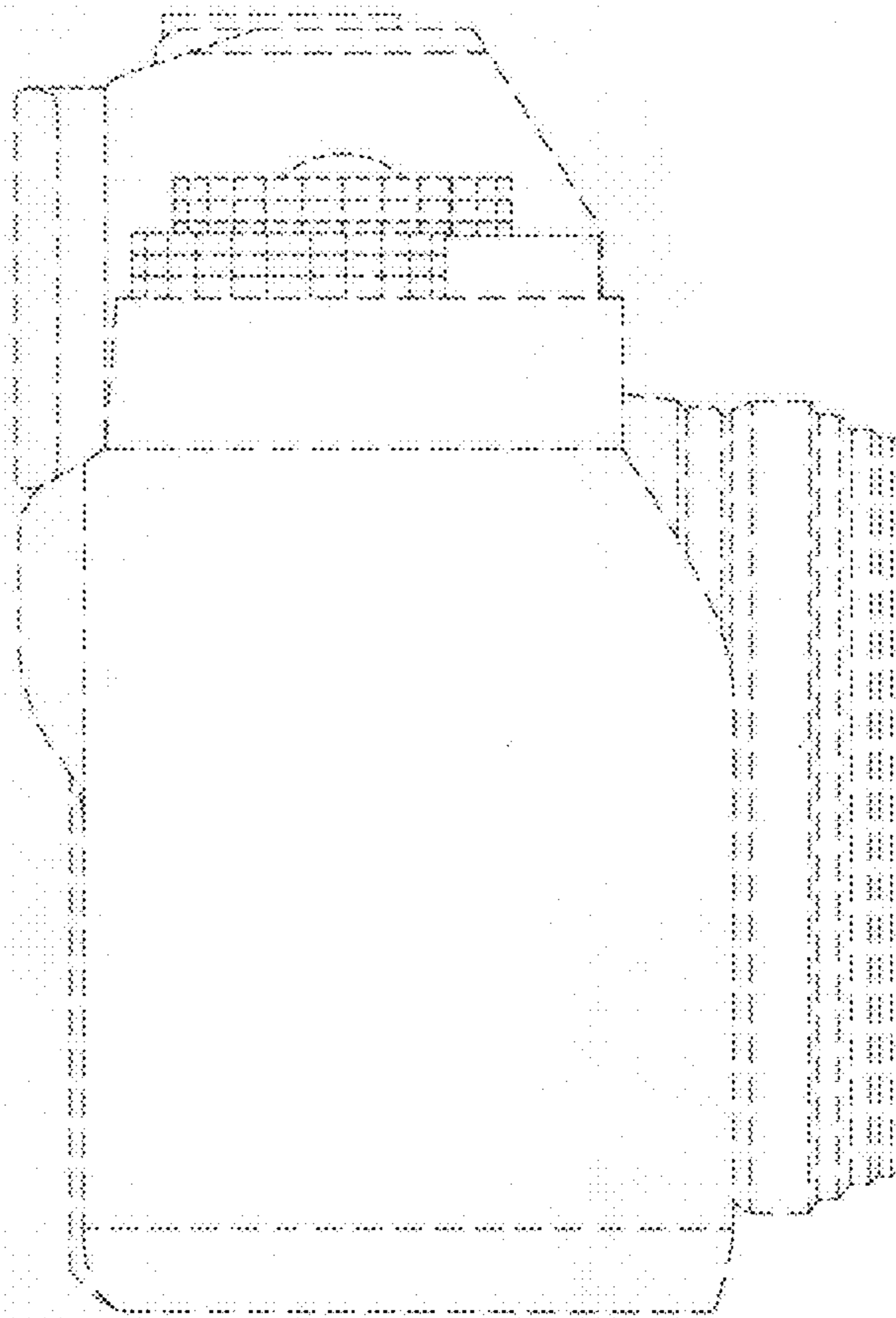


FIG. 7

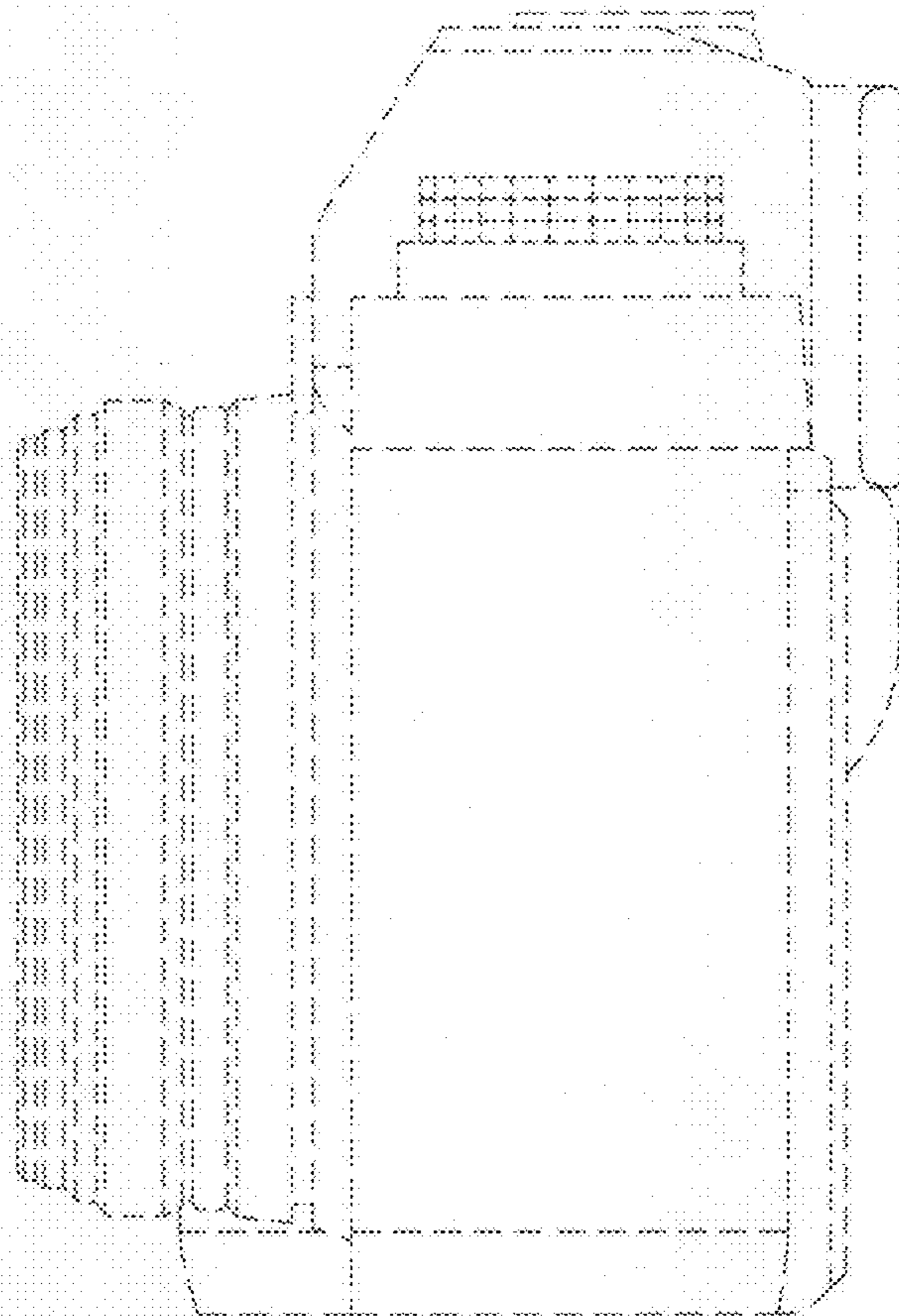


FIG. 8

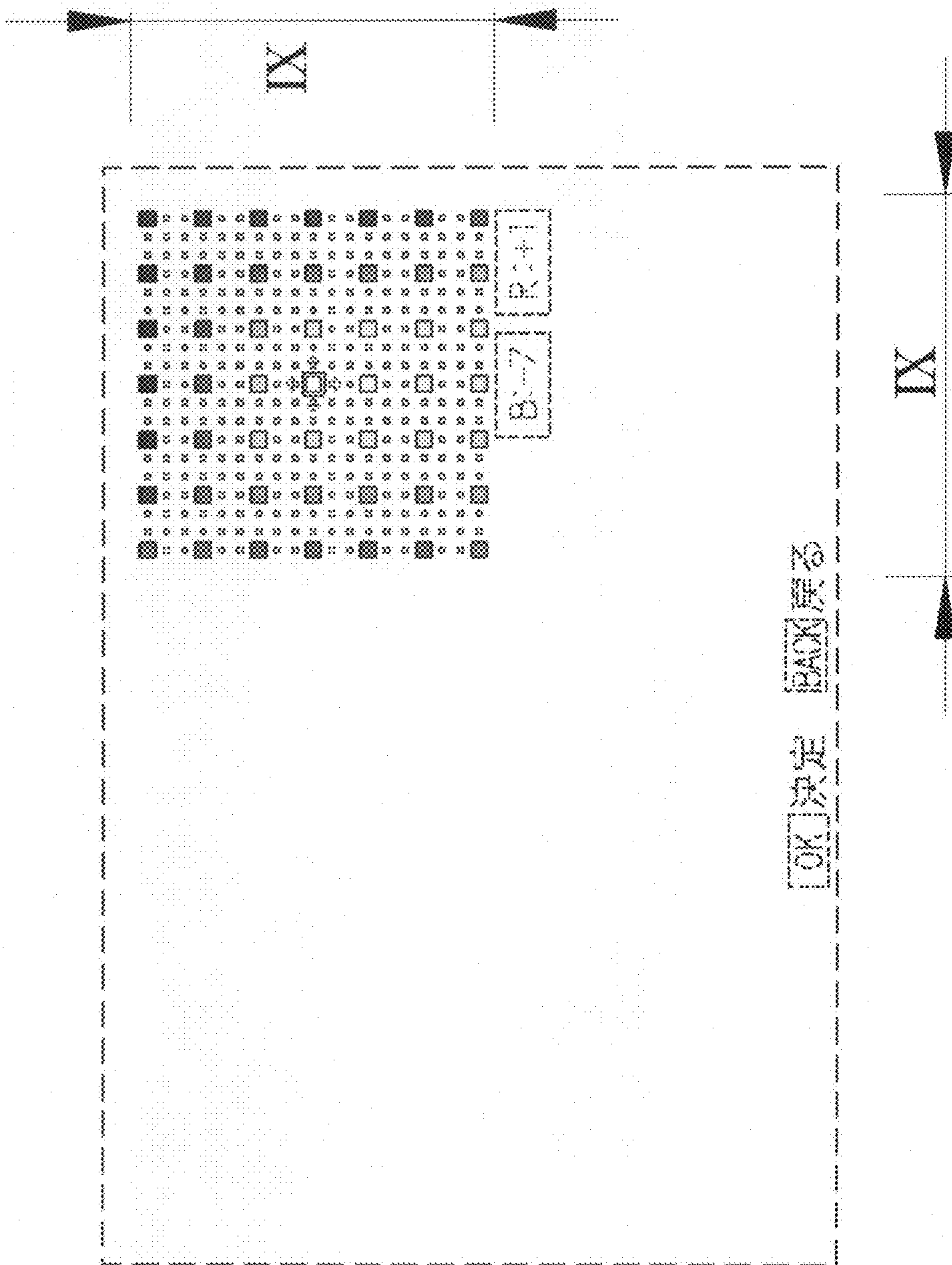


FIG. 9

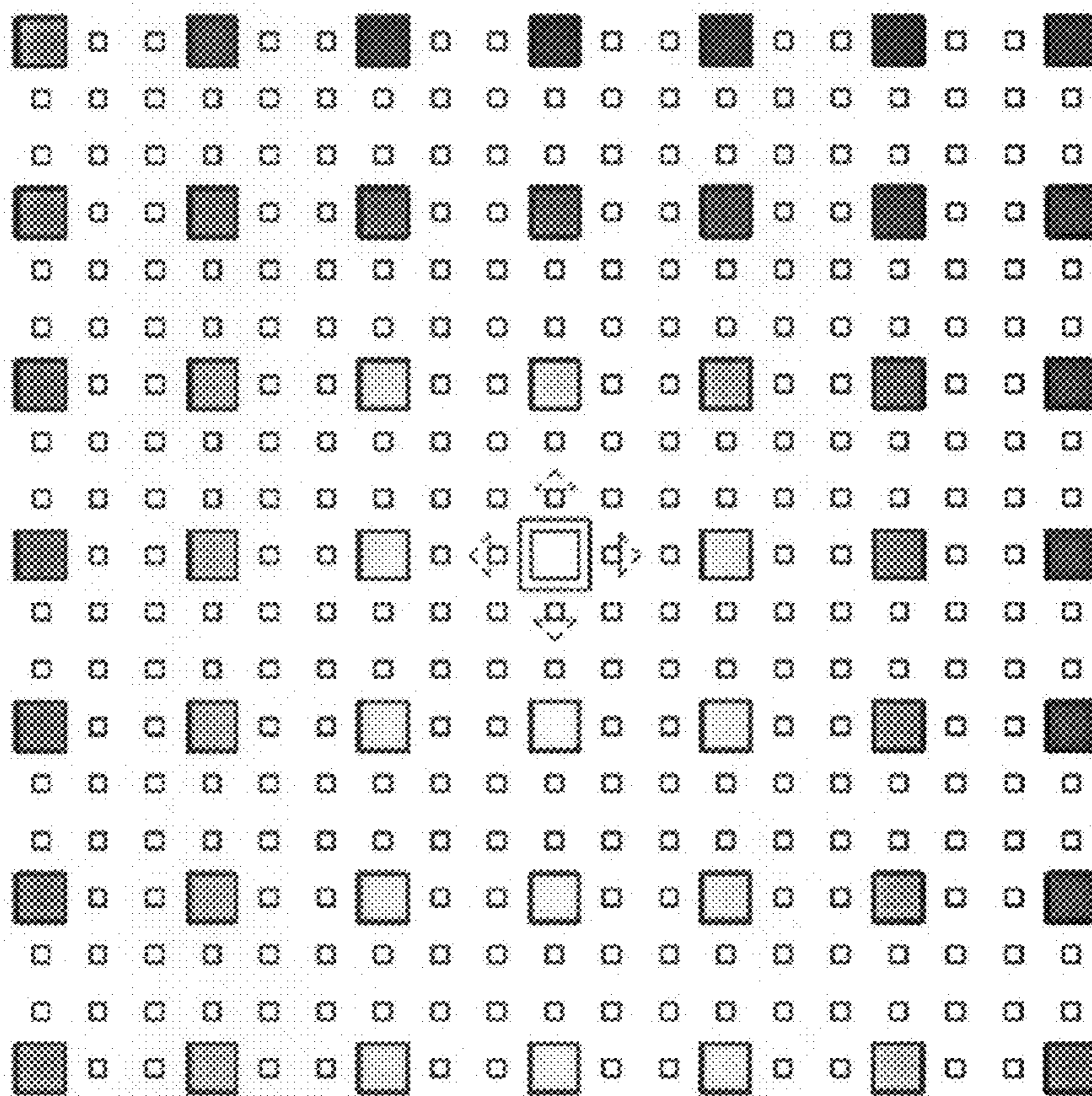


FIG. 10

