



US00D788783S

(12) **United States Design Patent**
Kulkarni et al.

(10) **Patent No.:** **US D788,783 S**
(45) **Date of Patent:** **** Jun. 6, 2017**

(54) **DUAL ARM ARTICULATING MOUNT FOR AN ELECTRONIC DISPLAY**

FOREIGN PATENT DOCUMENTS

(71) Applicant: **Wirepath Home Systems, LLC**,
Charlotte, NC (US)

EP 1 312 852 5/2003
EP 1 471 300 10/2004

(Continued)

(72) Inventors: **Amit Kulkarni**, Redmond, WA (US);
Bryan Thomas Marcum, Georgetown, KY (US);
Kai-Sheng Cheng, Charlotte, NC (US);
Christopher Glenn Franck, Fort Mill, SC (US)

OTHER PUBLICATIONS

SunBrite TV®, Installation Instructions All—Weather Articulating Wall Mount, Apr. 2012, pp. 1-11.

(Continued)

(73) Assignee: **Wirepath Home Systems, LLC**,
Charlotte, NC (US)

Primary Examiner — Garth Rademaker

Assistant Examiner — Katie Stofko Mroczka

(74) *Attorney, Agent, or Firm* — Myers Bigel, P.A.

(**) Term: **15 Years**

(57) **CLAIM**

(21) Appl. No.: **29/549,013**

The ornamental design for a dual arm articulating mount for an electronic display, as shown and described.

(22) Filed: **Dec. 18, 2015**

DESCRIPTION

Related U.S. Application Data

(63) Continuation of application No. 29/477,250, filed on Dec. 20, 2013, now Pat. No. Des. 747,724.

(51) **LOC (10) Cl.** **08-07**

(52) **U.S. Cl.**

USPC **D14/452**

(58) **Field of Classification Search**

USPC D14/371–382, 125–129, 336, 337,
D14/447–452, 492, 335, 239, 457,

(Continued)

FIG. 1 is a front perspective view illustrating a dual arm articulating mount for an electronic display, with a connected display plate illustrated in broken lines;

FIG. 2 is a front perspective view illustrating the dual arm articulating mount for an electronic display, with the display plate omitted;

FIG. 3 is a front view thereof;

FIG. 4 is a side view thereof;

FIG. 5 is an opposing side view thereof;

FIG. 6 is a top view thereof; and,

FIG. 7 is a bottom view thereof.

The broken lines in FIG. 1 illustrating the connected display plate represent environment that forms no part of the claimed design, while the remaining broken lines in FIGS. 1-7 illustrate portions of the dual arm articulating mount for an electronic display that form no part of the claimed design.

(56) **References Cited**

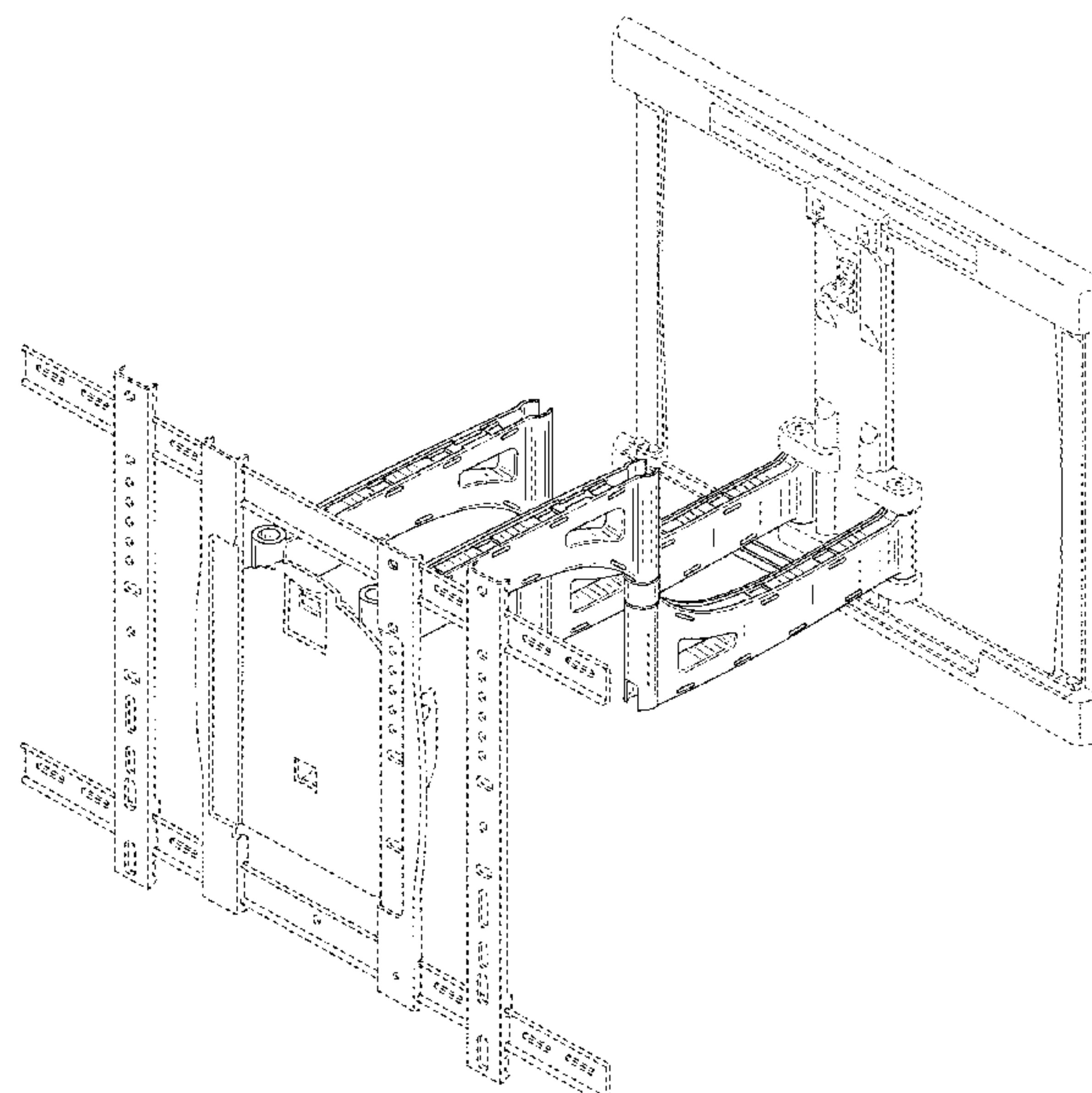
U.S. PATENT DOCUMENTS

4,783,036 A 11/1988 Vossoughi

4,928,914 A 5/1990 Snodell

(Continued)

1 Claim, 7 Drawing Sheets



(58) **Field of Classification Search**

USPC D14/439-441, 432, 251-253; D8/349,
 D8/354, 363, 373, 376, 380; D21/333;
 D12/415; D3/218; 348/180, 184, 325,
 348/739, 825
 CPC G06F 3/0412; G06F 3/016; G06F 3/0488;
 G06F 3/011; G06F 3/038; G06F 3/03543;
 G06F 3/0338; G06F 3/0202; G06F
 3/0219; G06F 3/0213; G06F 1/1616;
 G06F 3/023; G06F 3/04883; G02F
 1/13338; G02F 1/1313; G02F 1/1333;
 G02F 1/135; G02F 1/132; G02F
 1/133308; G02F 1/134309; G02F
 1/13718; G09G 3/3648; G06K 15/1252;
 B41J 2/465; G03F 7/70291; G02B
 27/0172; G02B 5/30; G02B 2027/0118;
 G02B 27/0101; F16M 13/02; F16M
 13/00; F16M 11/10; F16M 11/04; F16M
 2200/08; F16M 11/2021; A47B 21/0314;
 A47B 88/044; A47B 2021/0335; H02G
 3/126; F16B 47/00; F16B 47/006; A47G
 1/17; A47K 2201/00

See application file for complete search history.

(56) **References Cited**

U.S. PATENT DOCUMENTS

5,934,636 A 8/1999 Cyrell
 6,102,350 A 8/2000 Cyrell
 6,286,794 B1 9/2001 Harbin
 6,402,109 B1 6/2002 Dittmer
 D488,708 S 4/2004 Lam et al.
 D489,599 S 5/2004 Lam et al.
 6,758,454 B2 7/2004 Smed
 D497,537 S 10/2004 O'Keene et al.
 6,905,101 B1 6/2005 Dittmer
 D530,595 S 10/2006 Lam et al.
 D539,128 S 3/2007 Ly Hau et al.
 D540,330 S 4/2007 Eyman et al.
 D540,332 S 4/2007 Dittmer et al.
 D543,210 S 5/2007 Stenhouse et al.
 D543,547 S 5/2007 Muday et al.
 D543,548 S 5/2007 Muday et al.
 7,246,780 B2 7/2007 Oddsen, Jr.
 D553,125 S 10/2007 Ly Hau et al.
 D553,135 S 10/2007 Muday et al.
 D558,560 S 1/2008 Ciungan
 D558,561 S 1/2008 Ciungan
 D558,562 S 1/2008 Ciungan et al.
 D558,563 S 1/2008 Ciungan
 D558,564 S 1/2008 Ciungan
 D559,087 S 1/2008 Ciungan
 D559,088 S 1/2008 Ciungan
 D560,221 S 1/2008 Hoglan et al.
 D560,222 S 1/2008 Anderson et al.
 D560,672 S 1/2008 Muday et al.
 D560,673 S 1/2008 Muday et al.
 D562,113 S 2/2008 Ciungan et al.
 7,331,550 B2 2/2008 Gillespie et al.
 D570,355 S 6/2008 Muday et al.
 D570,852 S 6/2008 Muday et al.
 D580,743 S 11/2008 Short
 D581,915 S 12/2008 Sculler et al.
 D585,449 S 1/2009 Anderson et al.
 7,472,458 B2 1/2009 Oddsen, Jr.
 D587,258 S 2/2009 Vaglica et al.
 7,487,943 B1 2/2009 Gillespie
 D587,716 S 3/2009 Hau et al.
 7,513,469 B1 4/2009 Ciungan
 7,513,474 B2 4/2009 Anderson et al.
 D593,080 S 5/2009 Russell et al.
 D593,104 S 5/2009 Gillespie
 D595,277 S 6/2009 Bremmon et al.

D595,299 S 6/2009 Bures
 D595,702 S 7/2009 Bremmon et al.
 D595,723 S 7/2009 Bures et al.
 D596,189 S 7/2009 Bures et al.
 D602,923 S 10/2009 Skull
 D603,852 S 11/2009 Le
 D605,185 S 12/2009 Russell et al.
 7,641,163 B2 1/2010 O'Keene
 D610,437 S 2/2010 Bremmon et al.
 D611,479 S 3/2010 Hau et al.
 D611,480 S 3/2010 Hau et al.
 D612,182 S 3/2010 Bremmon et al.
 D613,277 S 4/2010 Skull
 7,738,245 B1 6/2010 Stifal
 7,753,332 B2 7/2010 O'Keene
 D620,943 S 8/2010 Grey et al.
 D621,390 S 8/2010 Skull et al.
 D621,820 S * 8/2010 Liang D14/239
 D623,177 S 9/2010 Molter et al.
 D623,634 S 9/2010 Molter et al.
 D623,635 S 9/2010 Molter et al.
 D623,654 S 9/2010 Hau et al.
 D624,061 S 9/2010 Smith et al.
 7,793,903 B2 9/2010 Dittmer et al.
 D625,300 S 10/2010 Stifal et al.
 D627,579 S 11/2010 Gillespie
 D627,767 S 11/2010 Molter et al.
 D627,787 S 11/2010 Grey et al.
 7,823,849 B2 11/2010 Dittmer et al.
 7,832,700 B2 11/2010 Ciungan
 D628,459 S 12/2010 Minkley et al.
 D630,197 S 1/2011 Molter et al.
 D630,623 S 1/2011 Molter et al.
 D631,038 S 1/2011 Molter et al.
 7,866,618 B2 1/2011 Grabania et al.
 7,866,621 B1 1/2011 Walters
 7,866,622 B2 1/2011 Dittmer
 D631,874 S 2/2011 Molter et al.
 D631,876 S 2/2011 Molter et al.
 D632,287 S 2/2011 Molter et al.
 7,891,620 B2 2/2011 Grabania et al.
 D633,484 S 3/2011 Molter et al.
 D634,311 S 3/2011 Stifal et al.
 D634,328 S 3/2011 Grey et al.
 D634,607 S 3/2011 Molter et al.
 D634,739 S 3/2011 Molter et al.
 D635,130 S 3/2011 Skull et al.
 D635,966 S 4/2011 Molter et al.
 D636,765 S 4/2011 Molter et al.
 D638,023 S 5/2011 Skull et al.
 D638,687 S 5/2011 Minkley et al.
 7,950,613 B2 5/2011 Anderson et al.
 D640,672 S 6/2011 Molter et al.
 D640,673 S 6/2011 Molter et al.
 D640,675 S 6/2011 Molter et al.
 7,954,780 B2 6/2011 Dittmer
 D641,369 S 7/2011 Skull et al.
 D641,721 S 7/2011 Moscovitch et al.
 7,975,976 B2 7/2011 Wohlford
 7,984,888 B2 7/2011 Park
 7,984,889 B2 7/2011 Whitley et al.
 D642,583 S 8/2011 Dittmer et al.
 D643,421 S 8/2011 Russell et al.
 D643,835 S 8/2011 Molter et al.
 D646,685 S 10/2011 Skull et al.
 D650,373 S 12/2011 Stemple
 D650,774 S 12/2011 Molter
 D652,030 S 1/2012 Dolack
 D652,423 S 1/2012 Sapper
 D654,065 S 2/2012 Stemple
 D656,138 S 3/2012 Wylie
 D656,493 S 3/2012 Dolack
 D659,689 S 5/2012 Molter
 D659,698 S 5/2012 Molter
 D659,699 S 5/2012 Conner
 D662,103 S 6/2012 Brandt
 D662,104 S 6/2012 Brandt
 D663,308 S 7/2012 Wylie
 D663,736 S 7/2012 Stanek et al.

(56)

References Cited

U.S. PATENT DOCUMENTS

D666,180 S	8/2012	Molter et al.	
D666,207 S	8/2012	Brandt	
8,245,990 B2	8/2012	Huang	
D667,391 S	9/2012	Dolack	
D674,783 S	1/2013	Dolack	
8,693,172 B2	4/2014	Russell et al.	
D747,724 S *	1/2016	Kulkarni	D14/452
2009/0084918 A1	4/2009	Pfister et al.	
2010/0001153 A1	1/2010	Stenhouse et al.	
2010/0091438 A1	4/2010	Dittmer	
2010/0208418 A1	8/2010	Russell et al.	
2010/0219315 A1	9/2010	Muday et al.	
2011/0002110 A1	1/2011	Skull	
2011/0019344 A1	1/2011	Russell et al.	
2011/0051435 A1	3/2011	Pfund et al.	
2011/0084187 A1	4/2011	Muday et al.	
2013/0187019 A1	7/2013	Dittmer et al.	

FOREIGN PATENT DOCUMENTS

GB	2 358 345	7/2001
WO	WO 2009/089169	7/1999
WO	WO 2009/012379	1/2009

OTHER PUBLICATIONS

DigiCom Digital Necessities®, Plasma/LCD Mount, available as of the filing date, 5 pages.

Digicom, Digicom PMA-771 Articulating Arms Dual Stud Wall Mount for 40 to 60 Screens, available as of the filing date, 3 pages.

Pyle® Home Multifunctional wall mount Installation Guide, www.pyleaudio.com, available as of the filing date, pp. 1-12.

CHIEF® iC Series, iCLPFA3 Installation Instructions, Apr. 2010, pp. 1-18.

* cited by examiner

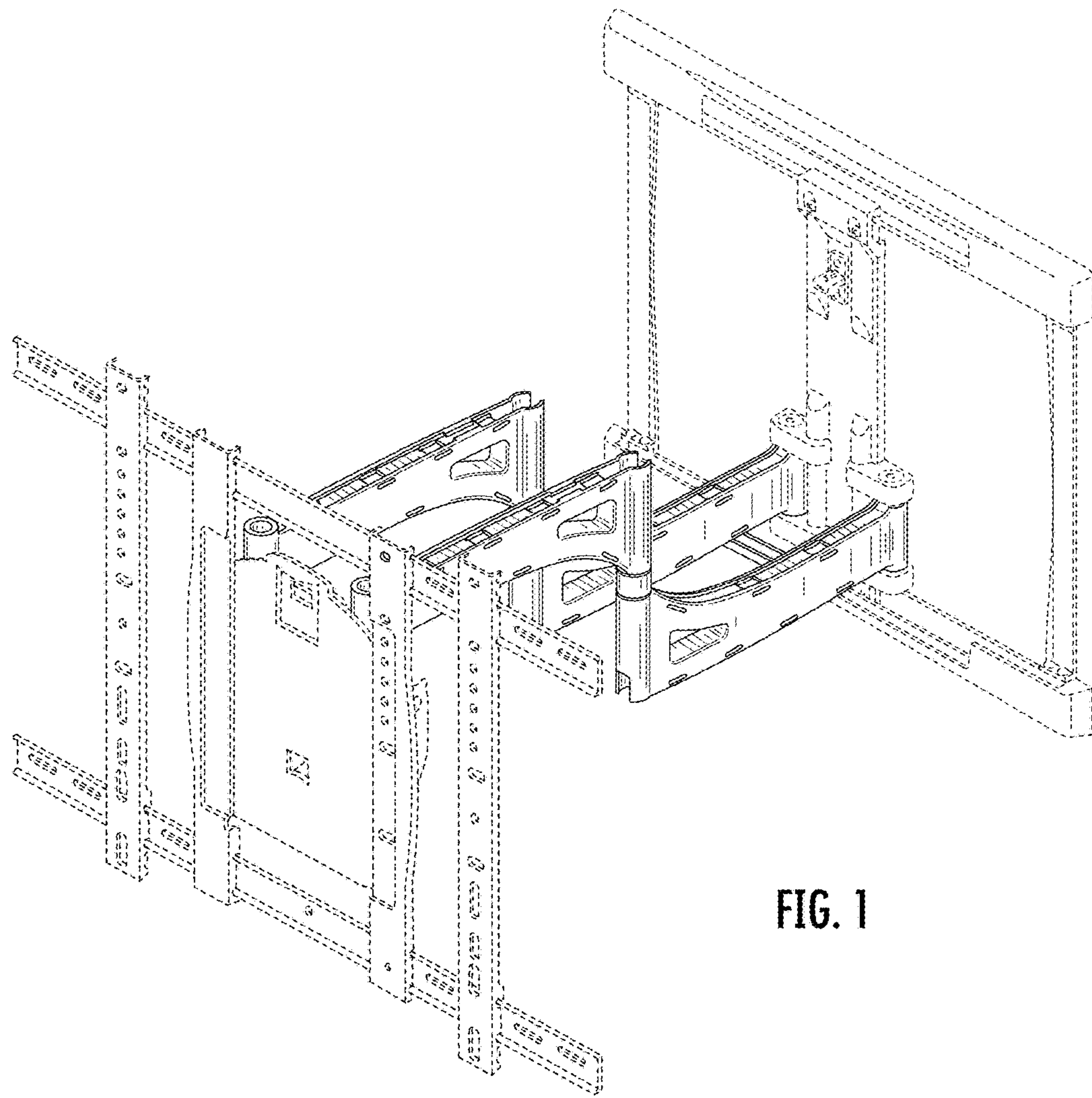


FIG. 1

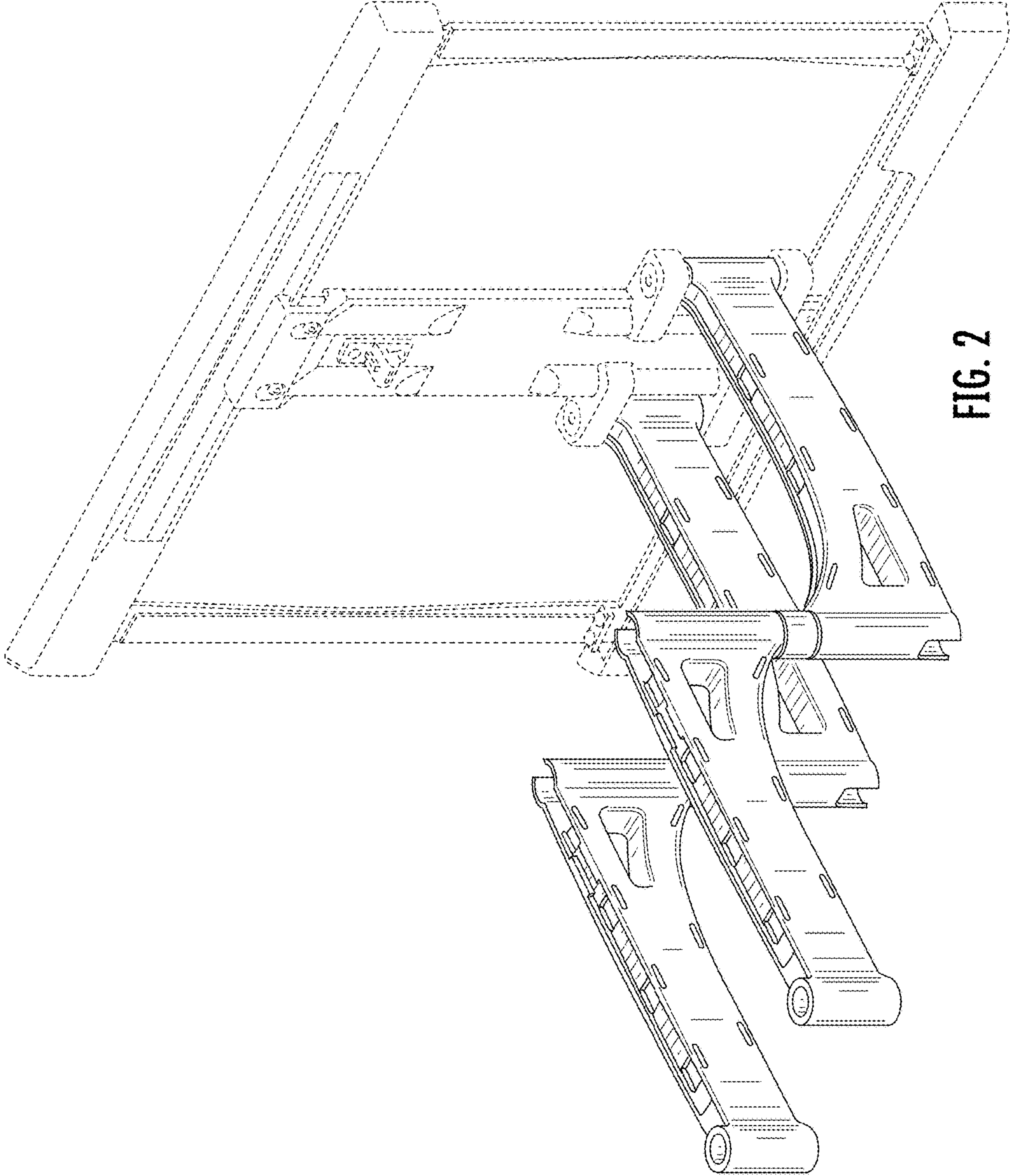


FIG. 2

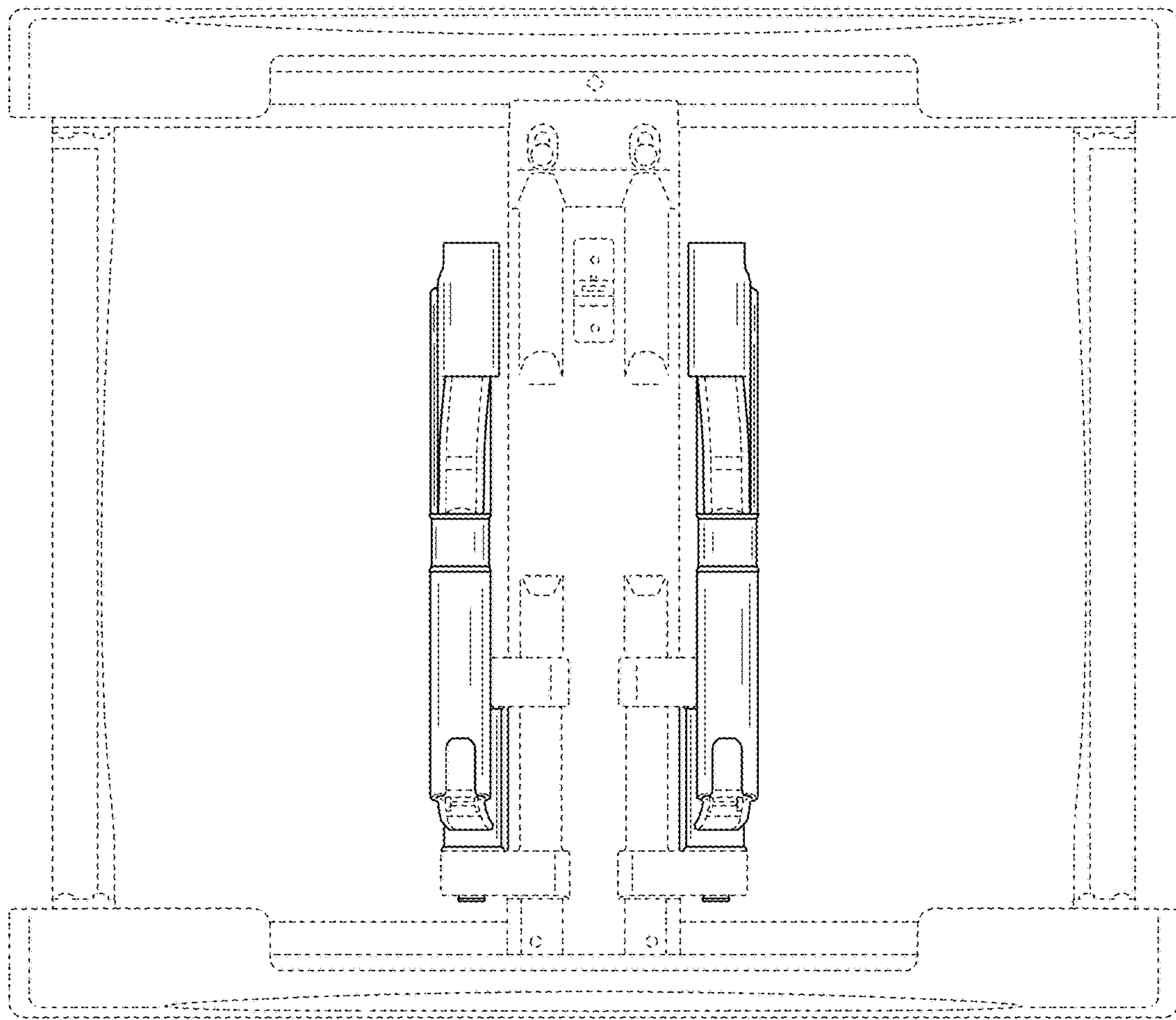


FIG. 3

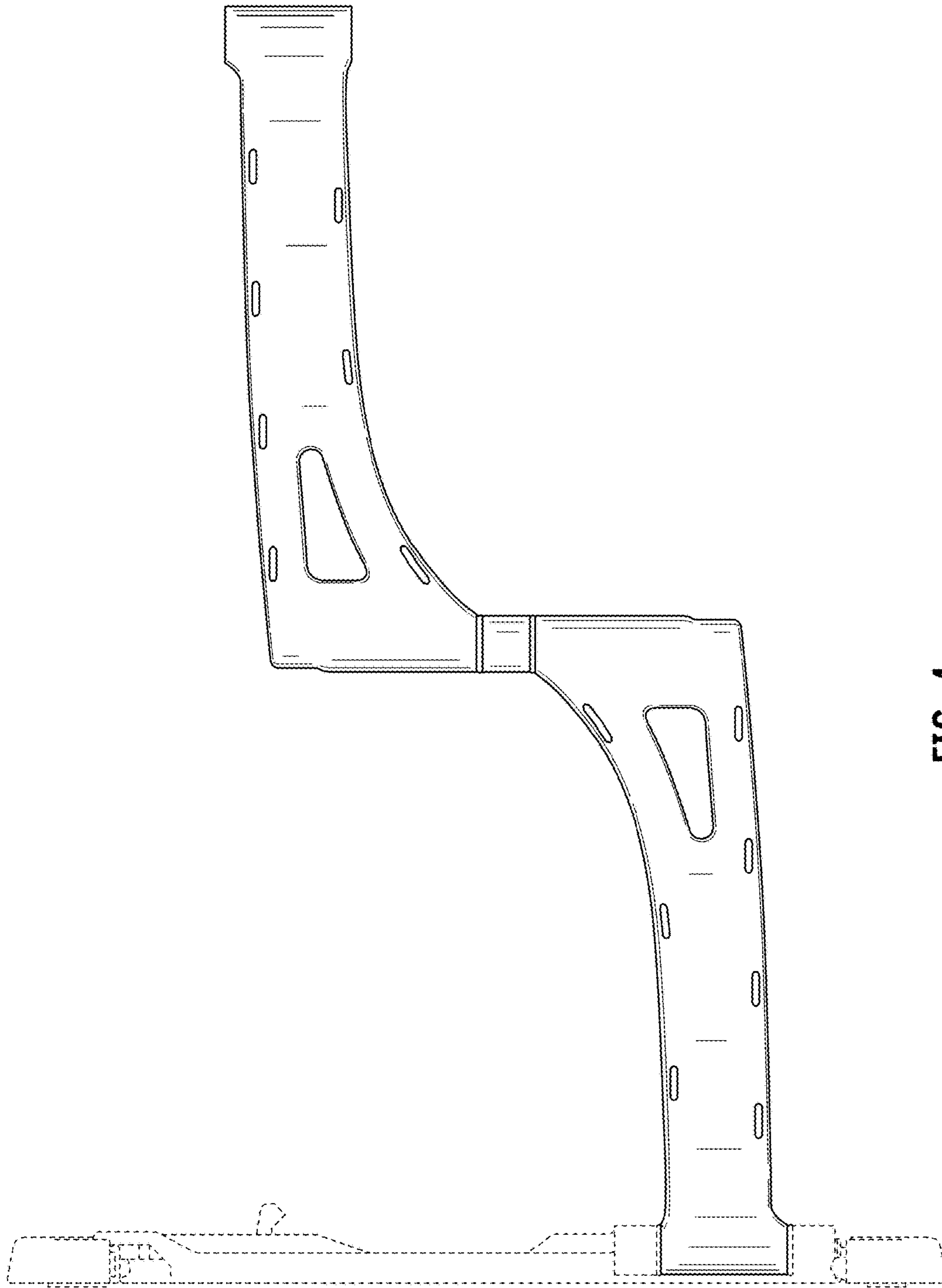


FIG. 4

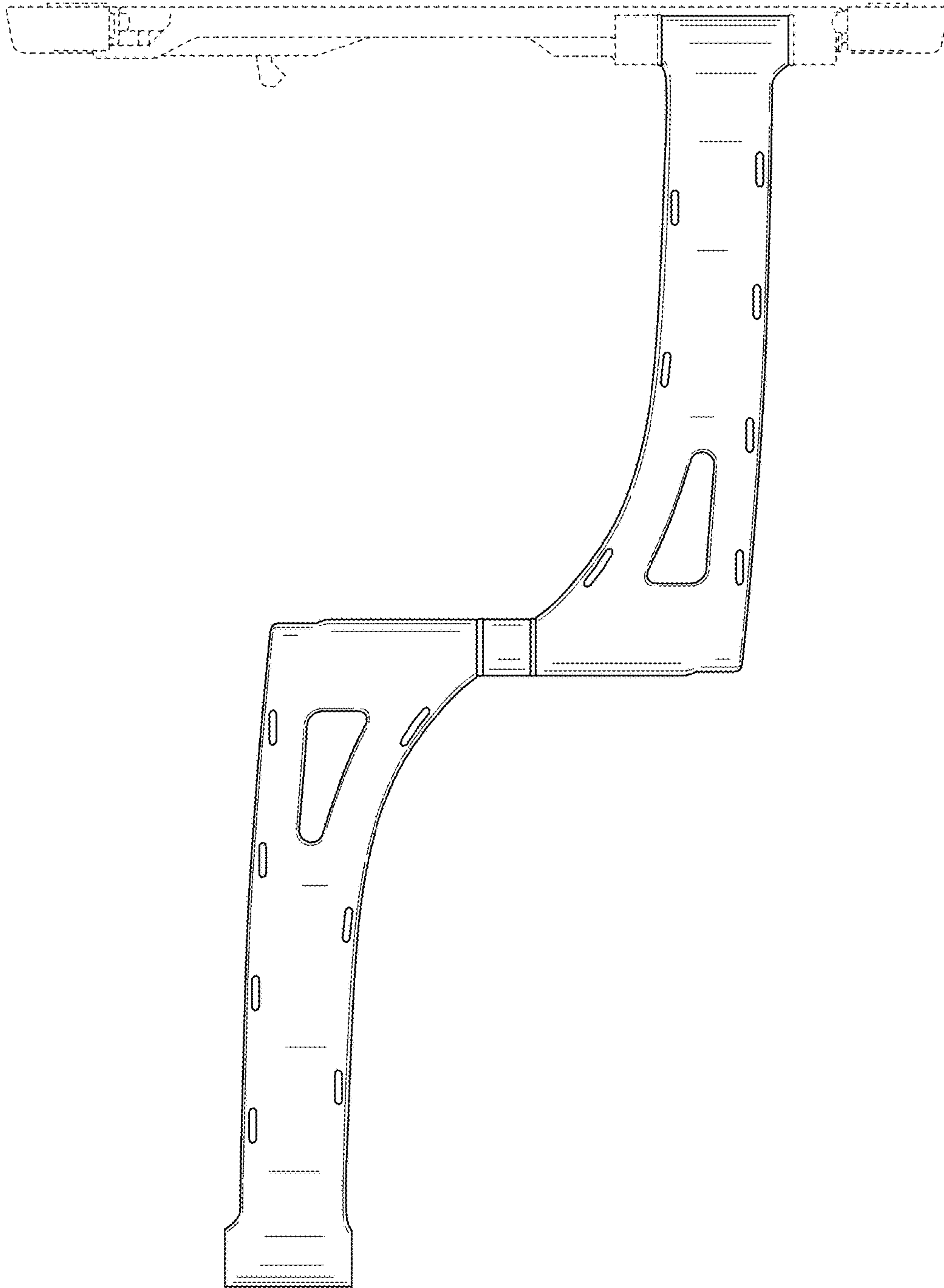


FIG. 5

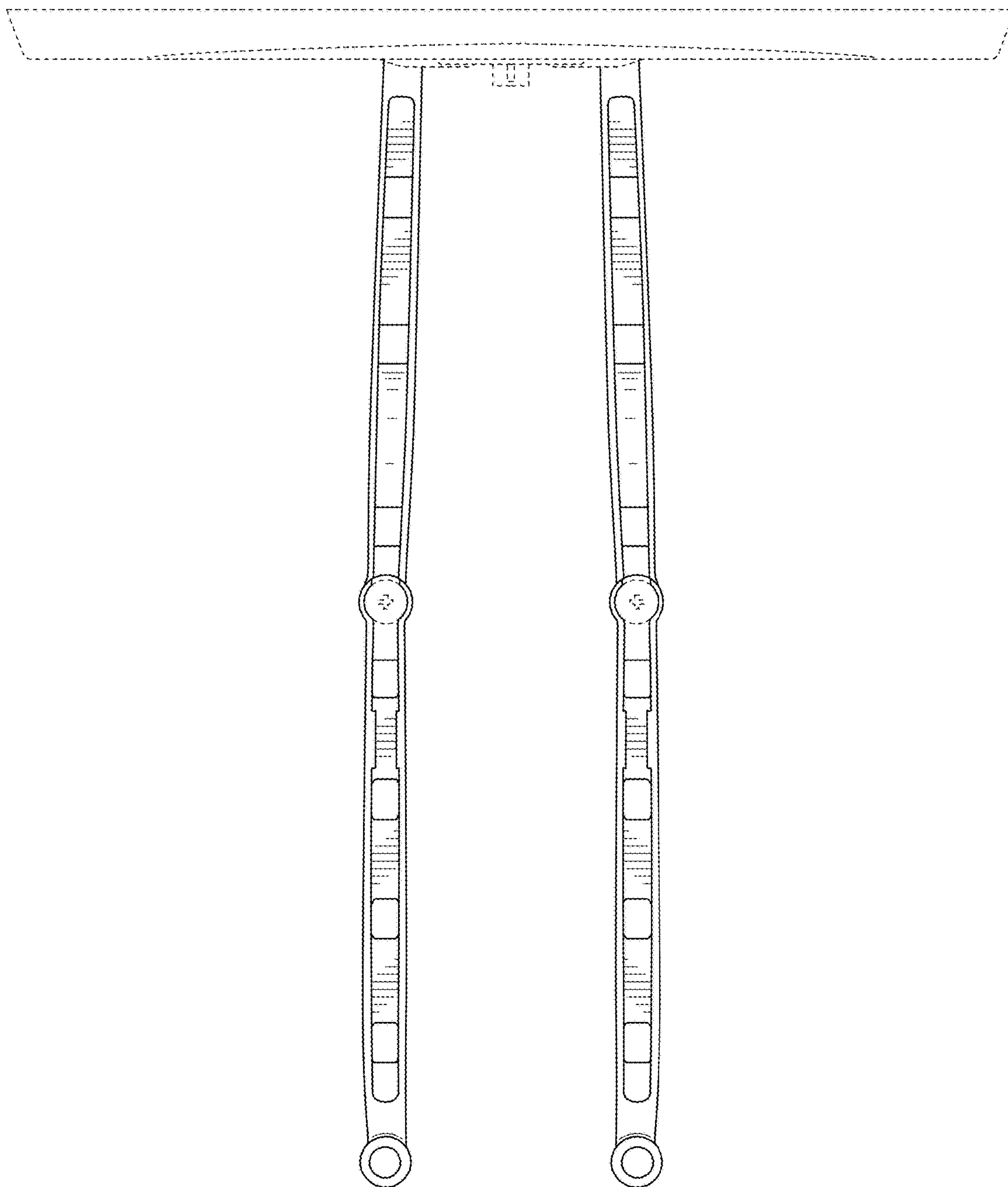


FIG. 6

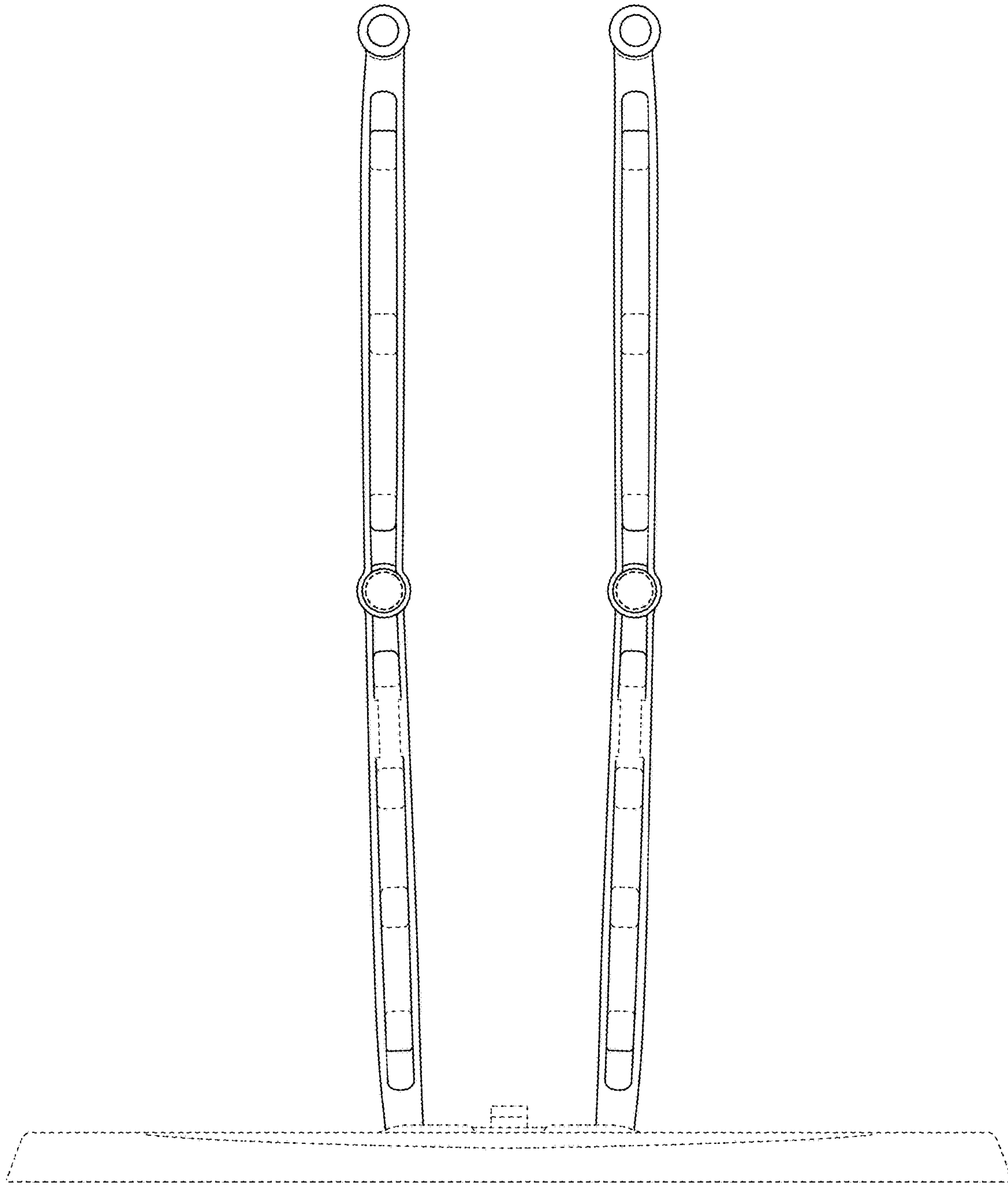


FIG. 7