



US00D788782S

(12) **United States Design Patent**
Lim et al.

(10) **Patent No.:** **US D788,782 S**
(45) **Date of Patent:** **** Jun. 6, 2017**

(54) **STAND FOR MONITOR**

A47B 88/044; A47B 2021/0335; H02G
3/126; F16B 47/00; F16B 47/006; A47G
1/17; A47K 2201/00

(71) Applicant: **LG ELECTRONICS INC.**, Seoul
(KR)

See application file for complete search history.

(72) Inventors: **Jaewon Lim**, Seoul (KR); **Seungmo
Kang**, Seoul (KR)

(56) **References Cited**

(73) Assignee: **LG ELECTRONICS INC.**, Seoul (KR)

U.S. PATENT DOCUMENTS

(**) Term: **15 Years**

D393,853 S * 4/1998 Maas D14/126
D543,208 S * 5/2007 Kita D14/451
D551,663 S * 9/2007 Kita D14/239

(21) Appl. No.: **29/551,966**

(Continued)

(22) Filed: **Jan. 19, 2016**

Primary Examiner — Garth Rademaker

Assistant Examiner — Katie Stofko Mroczka

(30) **Foreign Application Priority Data**

(74) *Attorney, Agent, or Firm* — Birch, Stewart, Kolasch
& Birch, LLP

Jul. 20, 2015 (KR) 30-2015-0036406

(57) **CLAIM**

(51) **LOC (10) Cl.** **08-07**

The ornamental design for a stand for monitor, as shown and
described.

(52) **U.S. Cl.**

USPC **D14/451**

DESCRIPTION

(58) **Field of Classification Search**

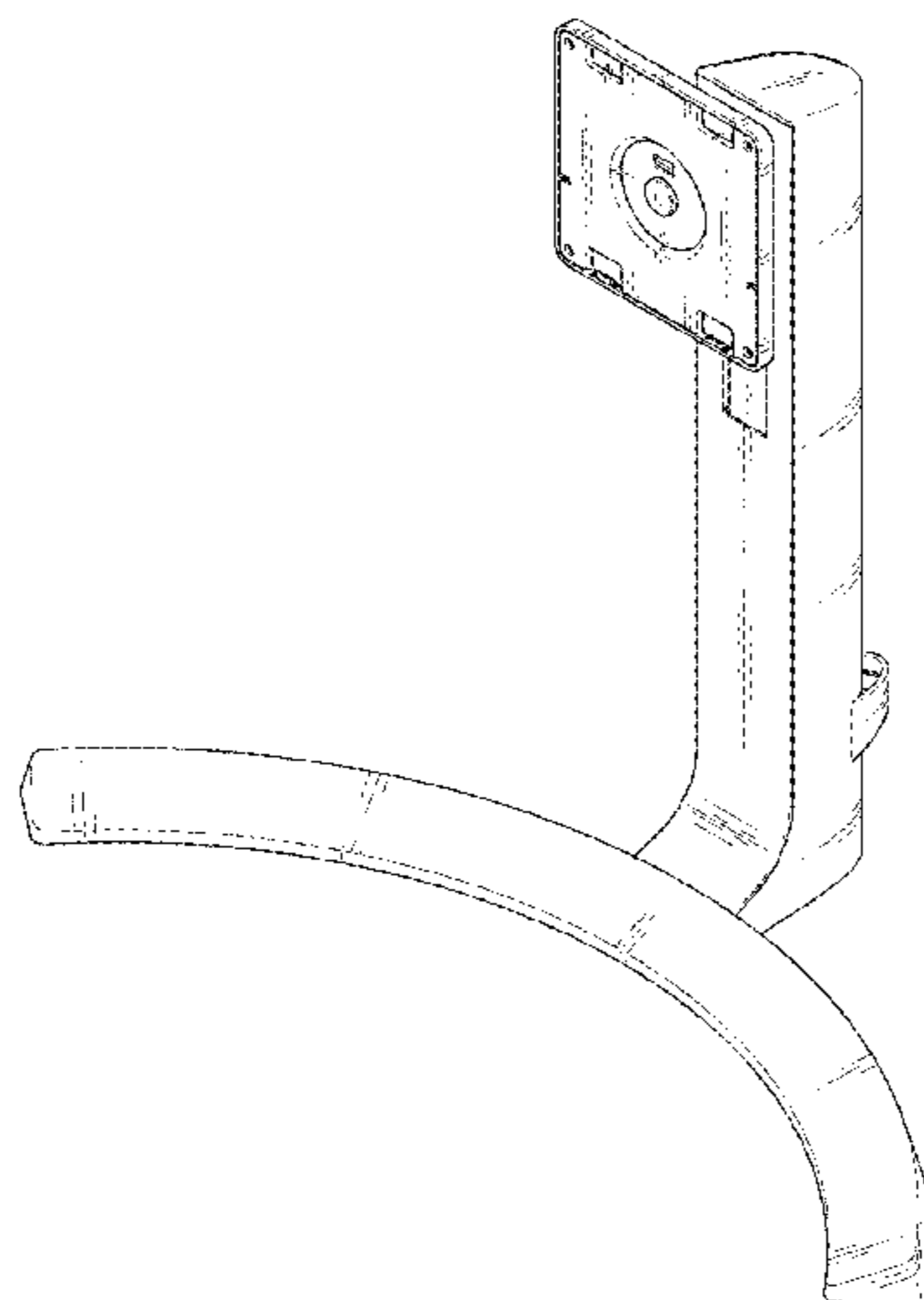
USPC D14/371–382, 125–129, 335–337,
D14/447–452, 492, 239, 457, 439–441,
D14/432, 251–253; D8/349, 354, 363,
D8/373, 376, 380; 348/180, 184, 325,
348/739, 825; D12/407, 415; D3/218;
341/12

FIG. 1 is a front, right side, perspective view of a stand for
monitor showing our new design;
FIG. 2 is a front view thereof;
FIG. 3 is a rear view thereof;
FIG. 4 is a left side view thereof;
FIG. 5 is a right side view thereof;
FIG. 6 is a top view thereof;
FIG. 7 is a bottom view thereof;
FIG. 8 is a right side view thereof, shown in an environment
of use; and,
FIG. 9 is a right side view thereof, shown in an environment
of use in which the height of the unclaimed monitor has been
adjusted.

CPC G06F 3/0412; G06F 3/016; G06F 3/0488;
G06F 3/011; G06F 3/038; G06F 3/03543;
G06F 3/0338; G06F 3/0202; G06F
3/0219; G06F 3/0213; G06F 1/1616;
G06F 3/023; G06F 3/04883; G02F
1/13338; G02F 1/1313; G02F 1/1333;
G02F 1/135; G02F 1/132; G02F
1/133308; G02F 1/134309; G02F
1/13718; G09G 3/3648; G06K 15/1252;
B41J 2/465; G03F 7/70291; G02B
27/0172; G02B 5/30; G02B 2027/0118;
G02B 27/0101; F16M 13/02; F16M
13/00; F16M 11/10; F16M 11/04; F16M
2200/08; F16M 11/2021; A47B 21/0314;

The broken lines in FIGS. 3 and 7 indicate unclaimed
portions of the stand for monitor, and form no part of the
claimed design. The broken lines in FIGS. 8 and 9 indicate
unclaimed environment that forms no part of the claimed
design.

1 Claim, 8 Drawing Sheets



(56)

References Cited

U.S. PATENT DOCUMENTS

7,392,965 B2 * 7/2008 Jung F16M 11/125
248/125.2
D652,045 S * 1/2012 Hong D14/447
D658,189 S * 4/2012 Zhao D14/447
D690,306 S * 9/2013 Malisse D14/447
8,537,122 B2 * 9/2013 Geiger G06F 1/1607
345/173
D694,208 S * 11/2013 Duys D14/126
D711,333 S * 8/2014 Kim D14/126
D714,775 S * 10/2014 Yoo D14/253
D725,616 S * 3/2015 Oh D14/126
D773,418 S * 12/2016 Won D14/126

* cited by examiner

FIG. 1

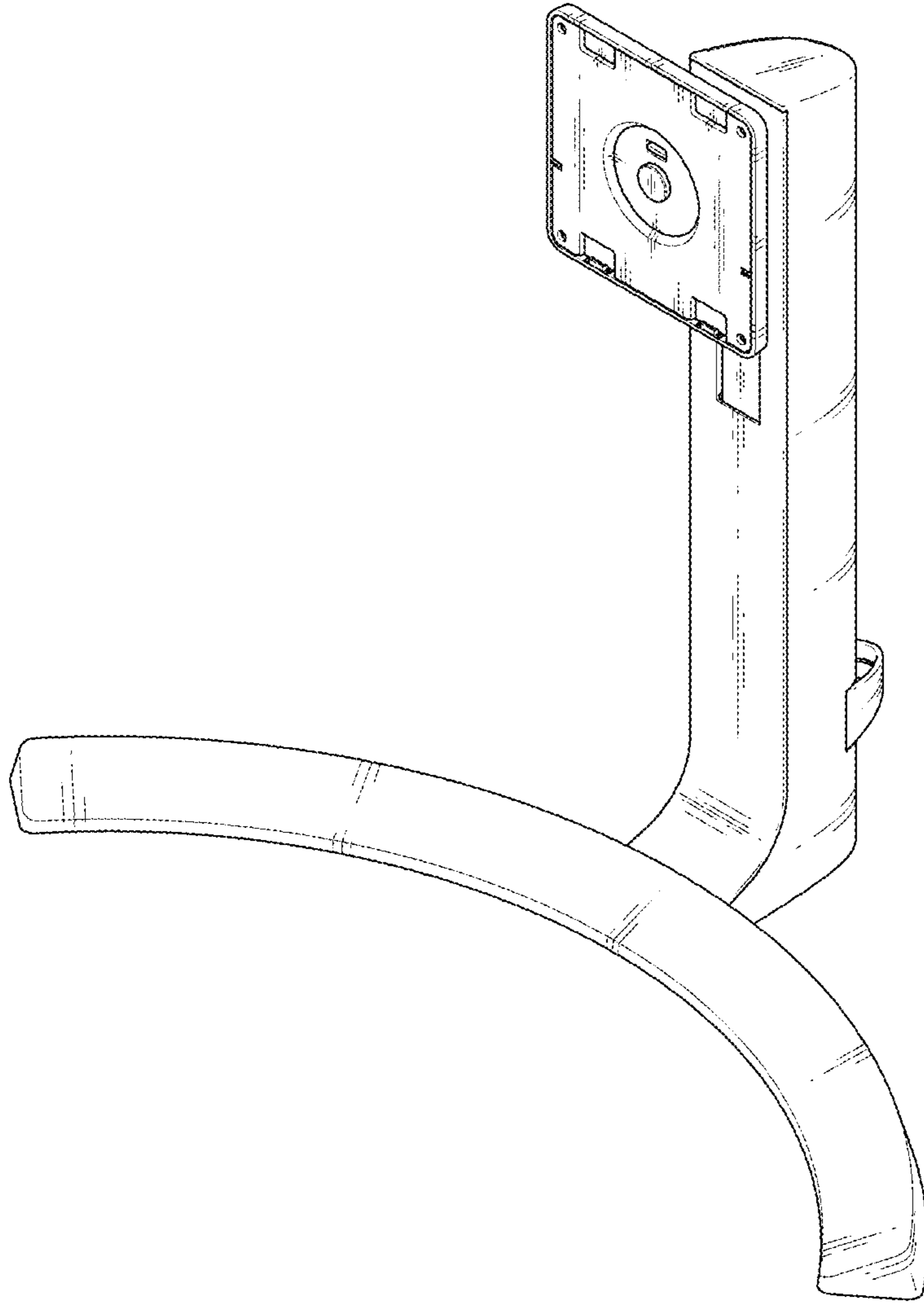


FIG. 2

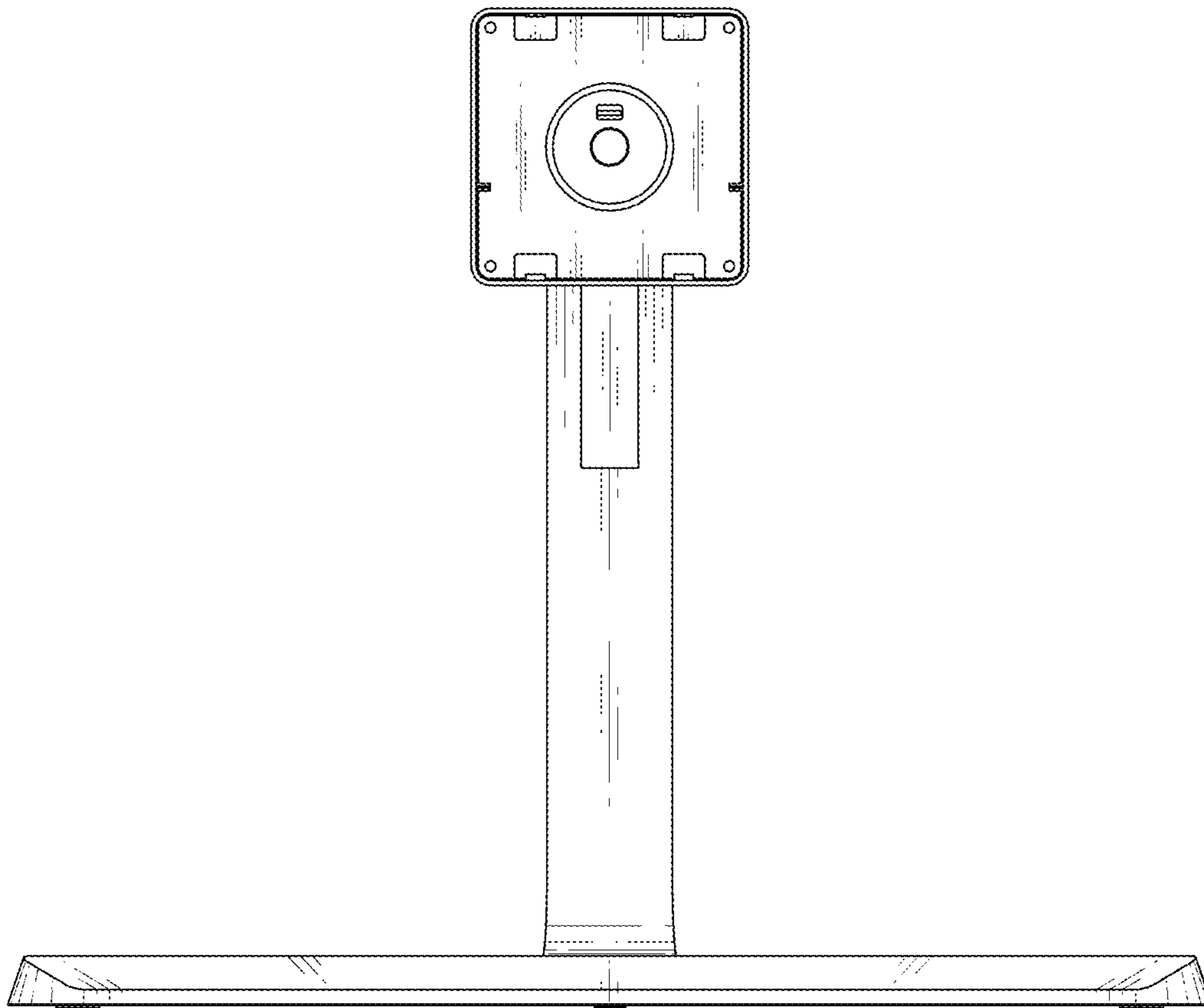


FIG. 3

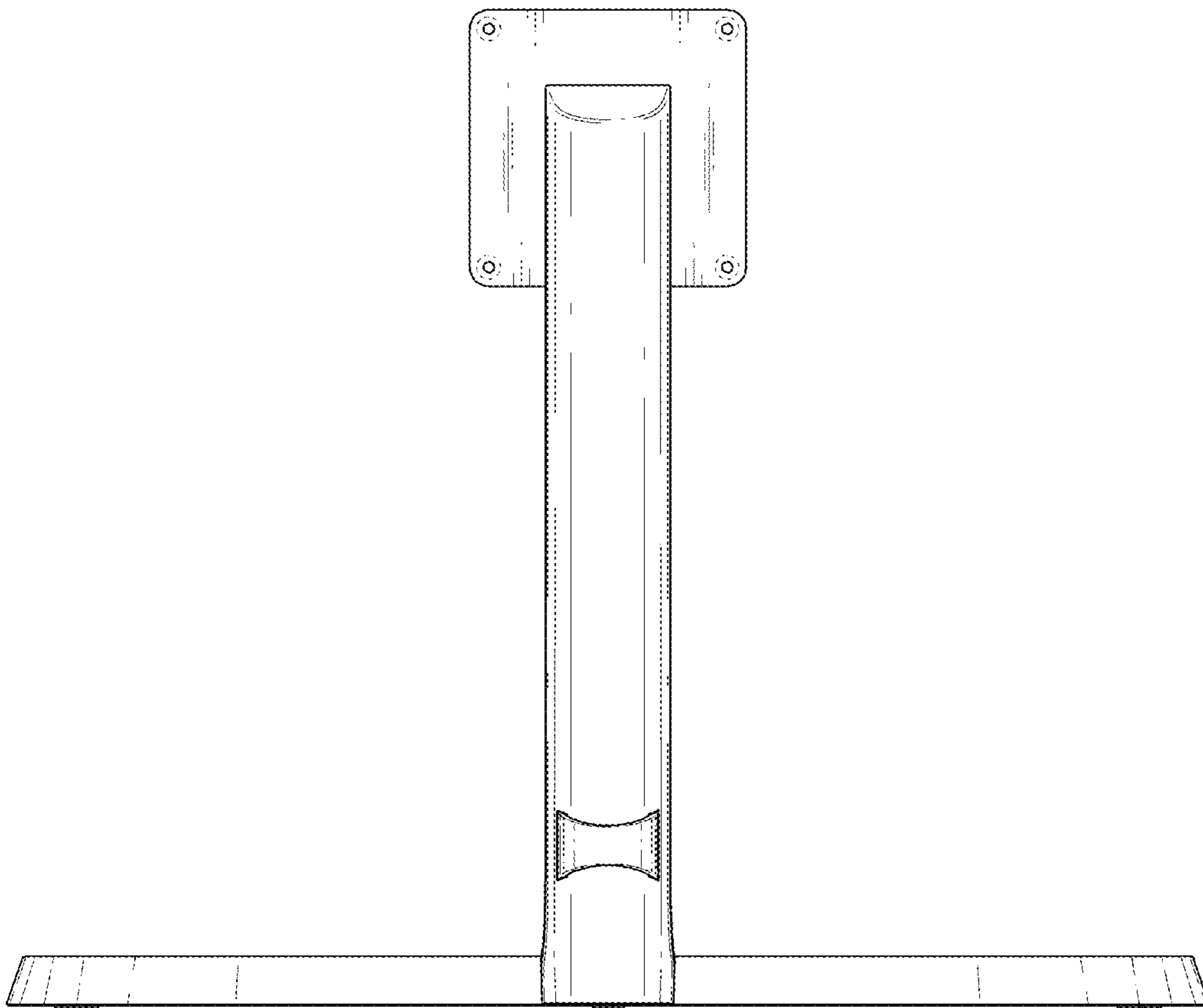


FIG. 4

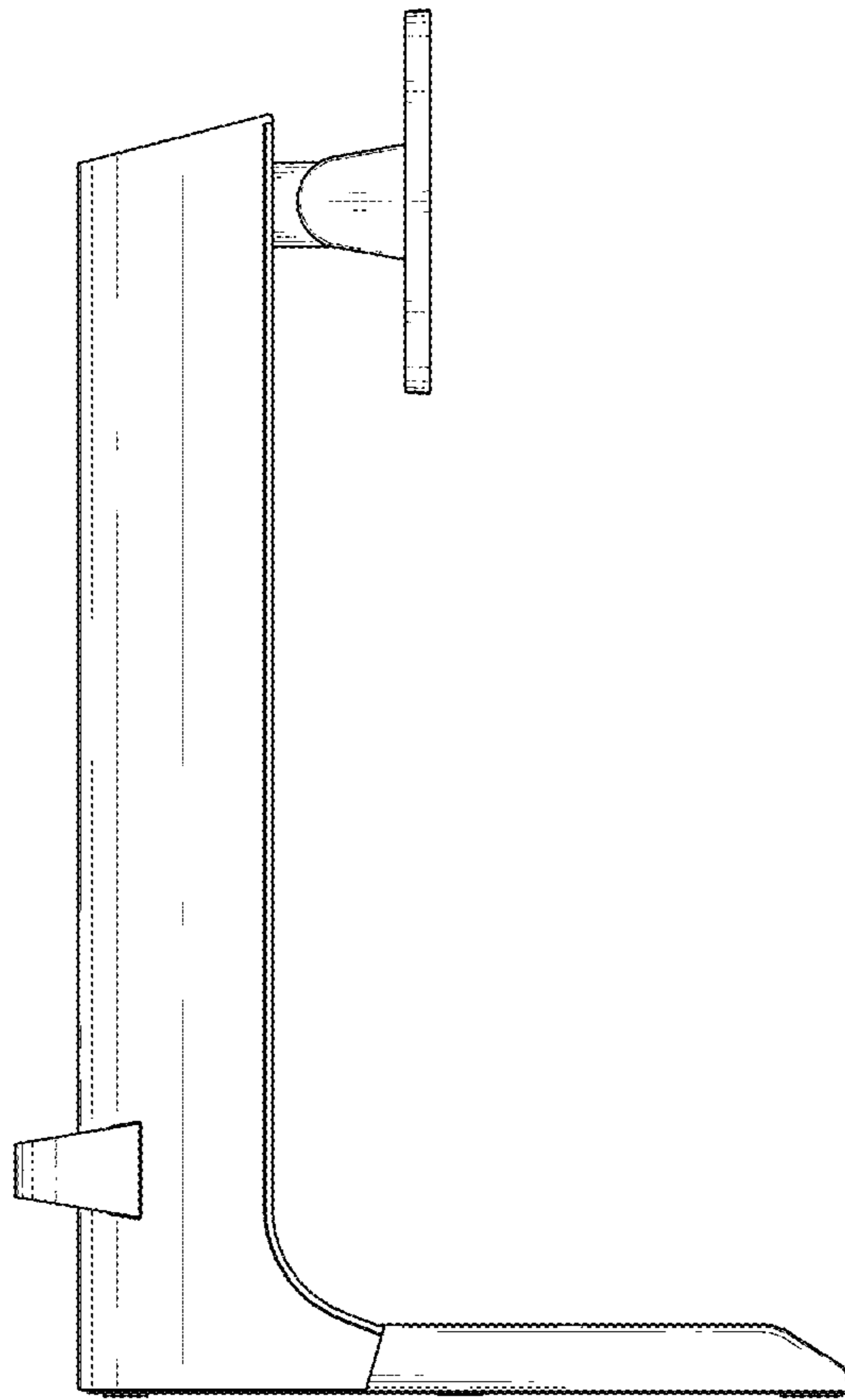


FIG. 5

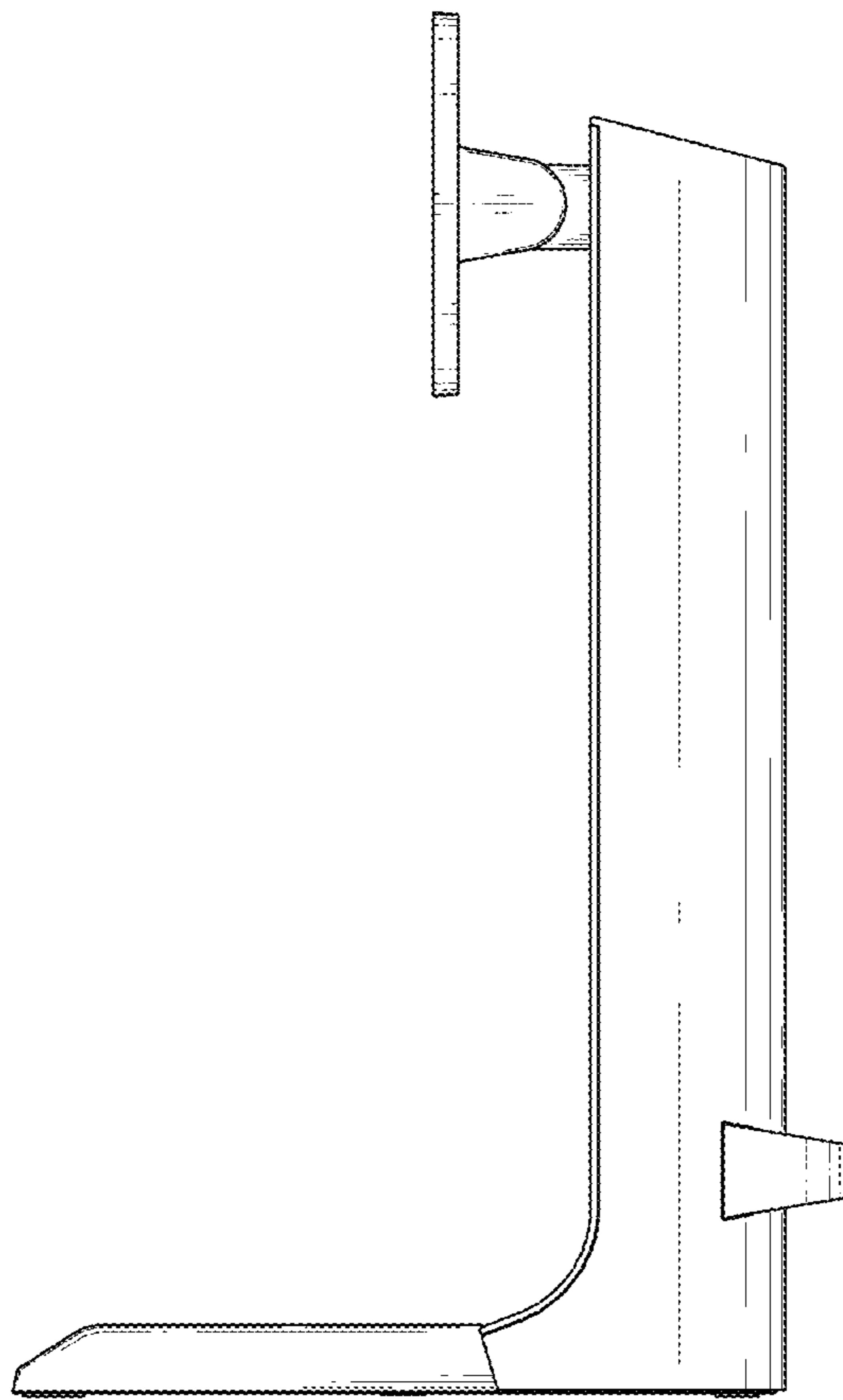


FIG. 6

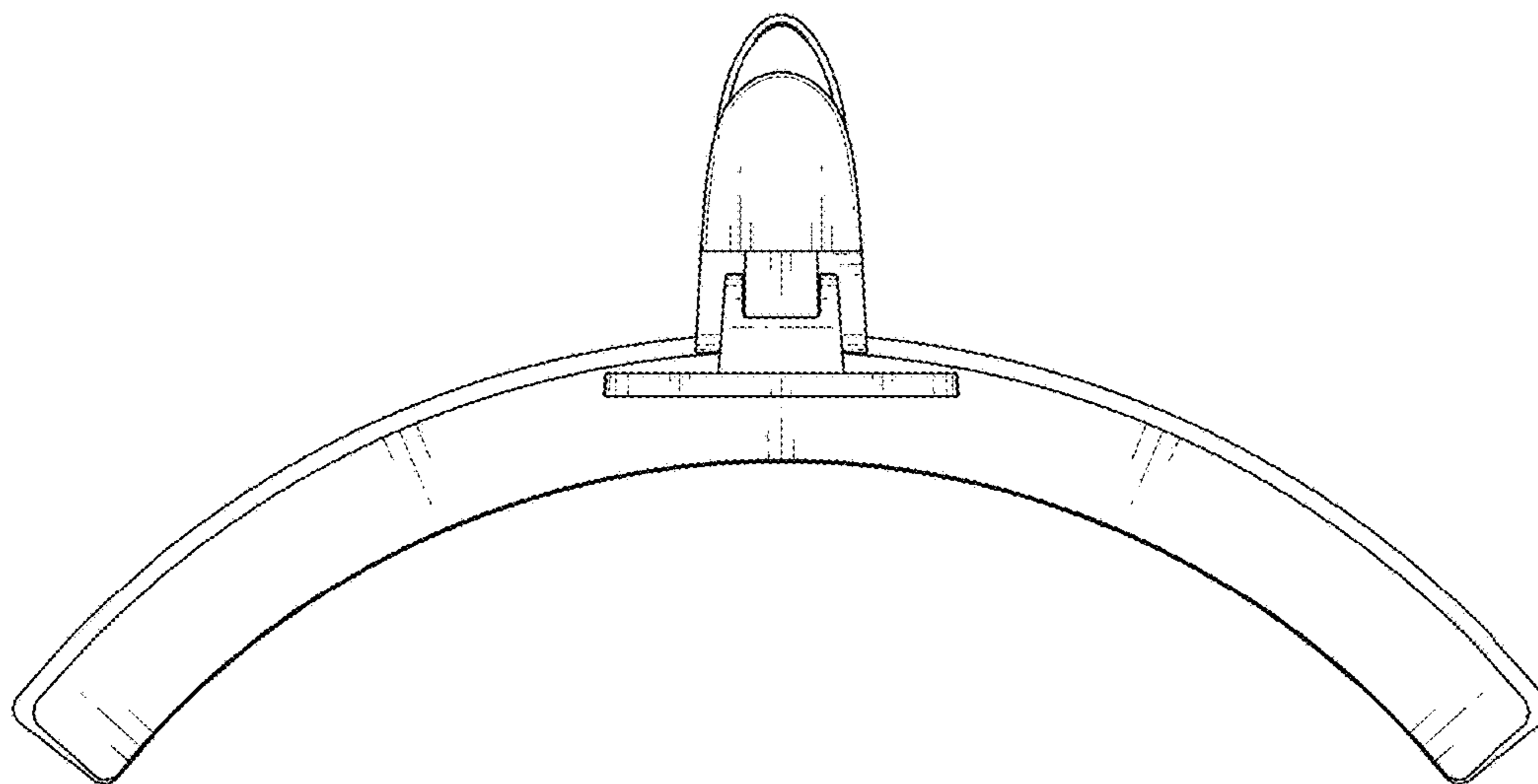


FIG. 7

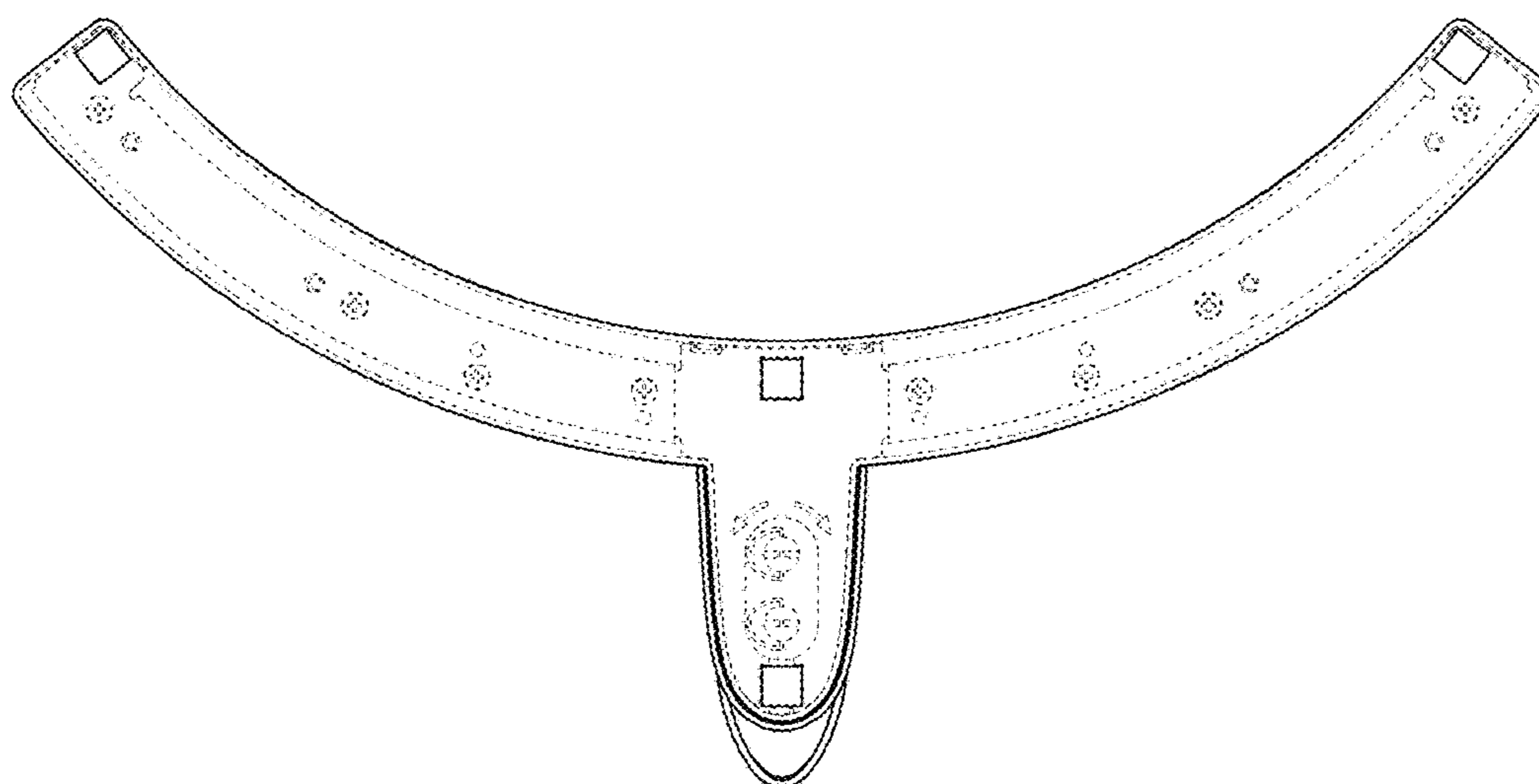


FIG. 8

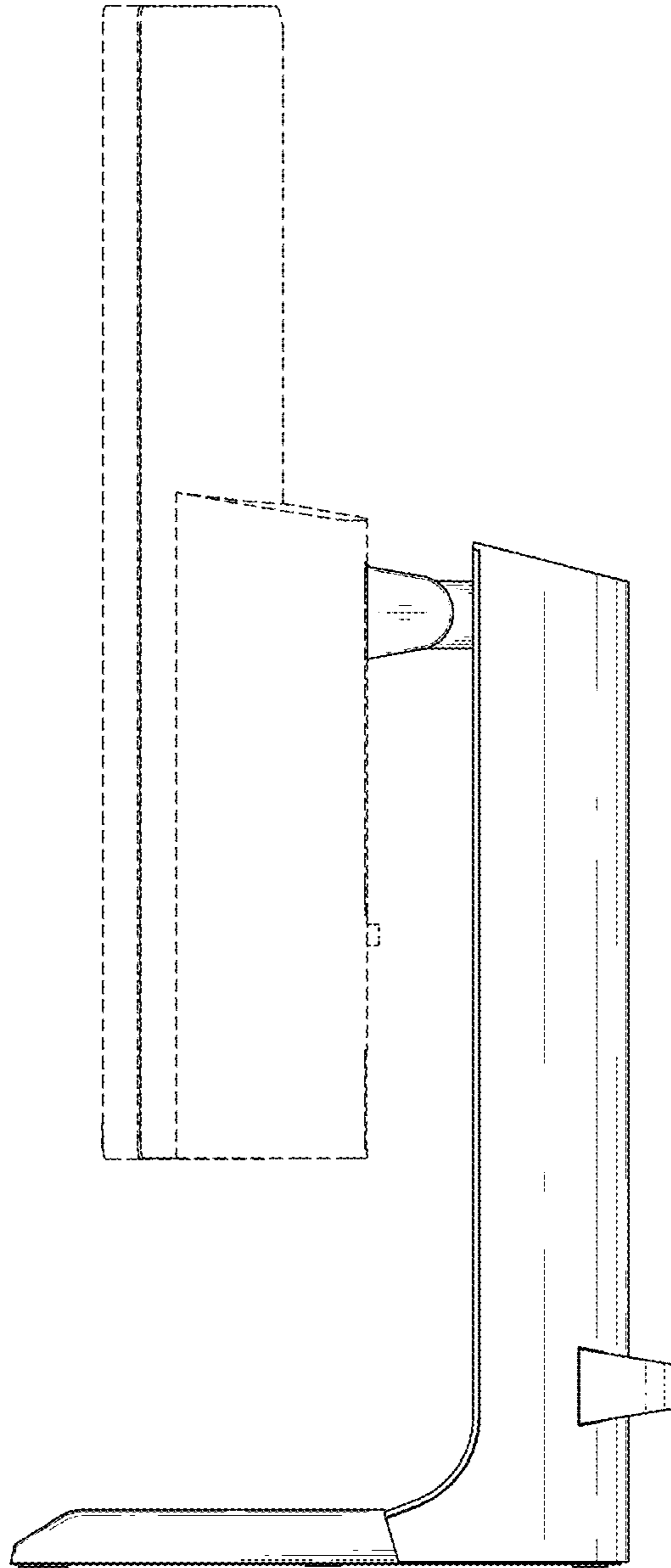


FIG. 9

