



US00D788781S

(12) **United States Design Patent**
Chen

(10) **Patent No.:** **US D788,781 S**

(45) **Date of Patent:** **** Jun. 6, 2017**

(54) **LAPTOP HOLDER**

(71) Applicant: **Shenzhen Shenghaina Technology Co., LTD.**, Shenzhen, Guangdong (CN)

(72) Inventor: **Xiaowei Chen**, Guangdong (CN)

(73) Assignee: **Shenzhen Shenghaina Technology Co., Ltd.**, Shenzhen (CN)

(**) Term: **15 Years**

(21) Appl. No.: **29/565,577**

(22) Filed: **May 23, 2016**

(51) **LOC (10) Cl.** **08-07**

(52) **U.S. Cl.**
USPC **D14/447**

(58) **Field of Classification Search**
USPC D14/447, 432, 434, 439, 440, 451, 452,
D14/457, 239; D12/415; D6/406.3,
D6/406.4, 406.5, 406.6; D8/363, 373,
D8/380

CPC A47B 21/04; A47B 2097/006; A47B
2097/005; A47B 2023/049; A45C
2011/002; A45C 2011/003; F16M
2200/00; F16M 13/00

See application file for complete search history.

(56) **References Cited**

U.S. PATENT DOCUMENTS

D344,076 S * 2/1994 Zahabi D14/447
D557,698 S * 12/2007 Lye D14/447

D559,850 S * 1/2008 Lye D14/447
D573,150 S * 7/2008 Sween D14/447
D591,303 S * 4/2009 Heggland D14/434
D645,865 S * 9/2011 Diehl D14/299
D677,260 S * 3/2013 Hong D14/447
D699,297 S * 2/2014 Bahsoun D14/447
D714,297 S * 9/2014 Poulsen D14/447
D722,064 S * 2/2015 Zwerner D14/447
D722,065 S * 2/2015 Zwerner D14/447
D756,367 S * 5/2016 Kim D14/447
D779,478 S * 2/2017 Justiss D14/253

* cited by examiner

Primary Examiner — Angela J Lee

(74) *Attorney, Agent, or Firm* — Rankin, Hill & Clark
LLP

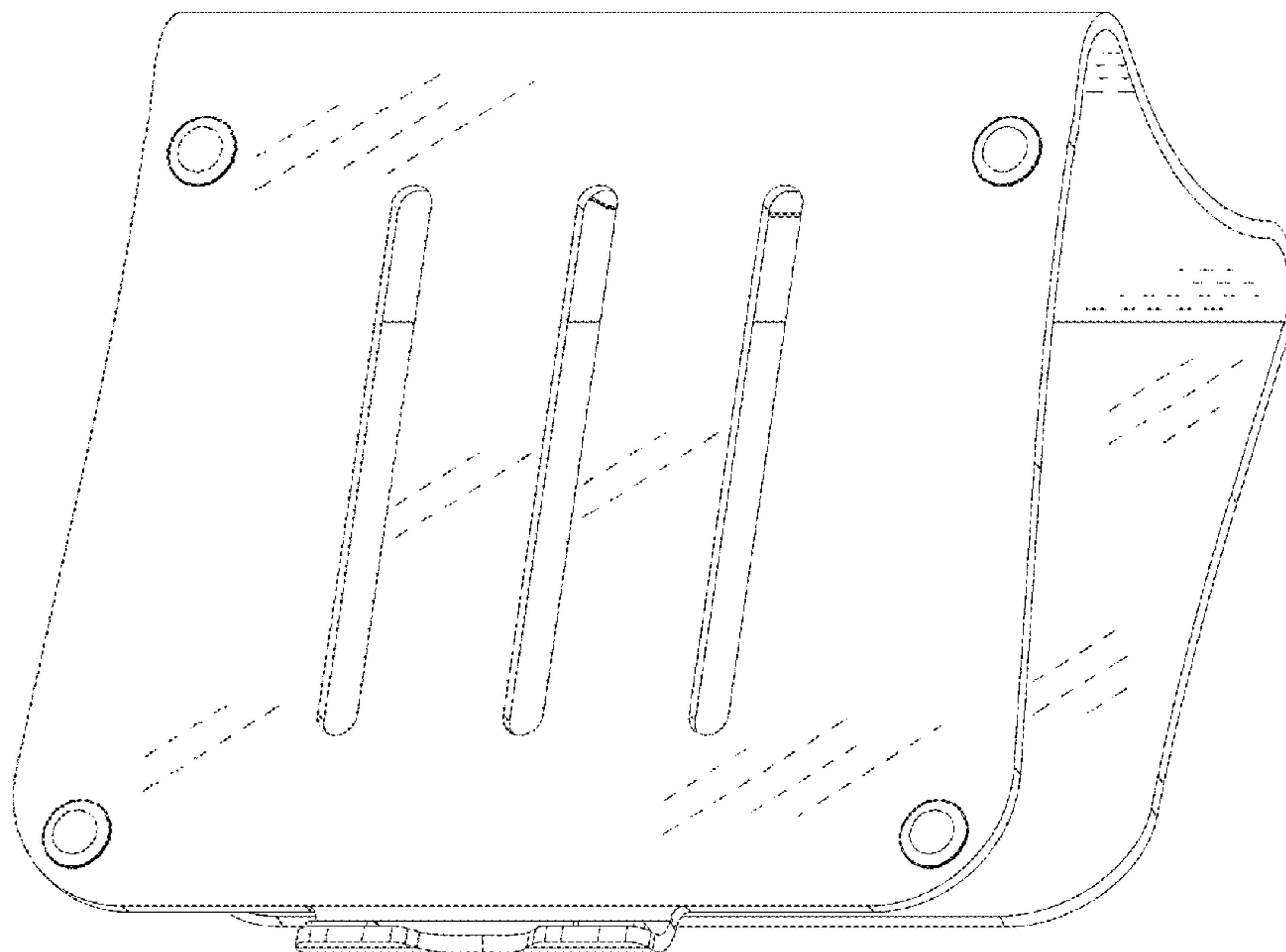
(57) **CLAIM**

The ornamental design for a laptop holder, as shown and described.

DESCRIPTION

FIG. 1 is a perspective view of a laptop holder;
FIG. 2 is a front view of the laptop holder;
FIG. 3 is a rear view of the laptop holder;
FIG. 4 is a left side view of the laptop holder;
FIG. 5 is a right side view of the laptop holder;
FIG. 6 is a top view of the laptop holder; and,
FIG. 7 is a bottom view of the laptop holder.

1 Claim, 7 Drawing Sheets



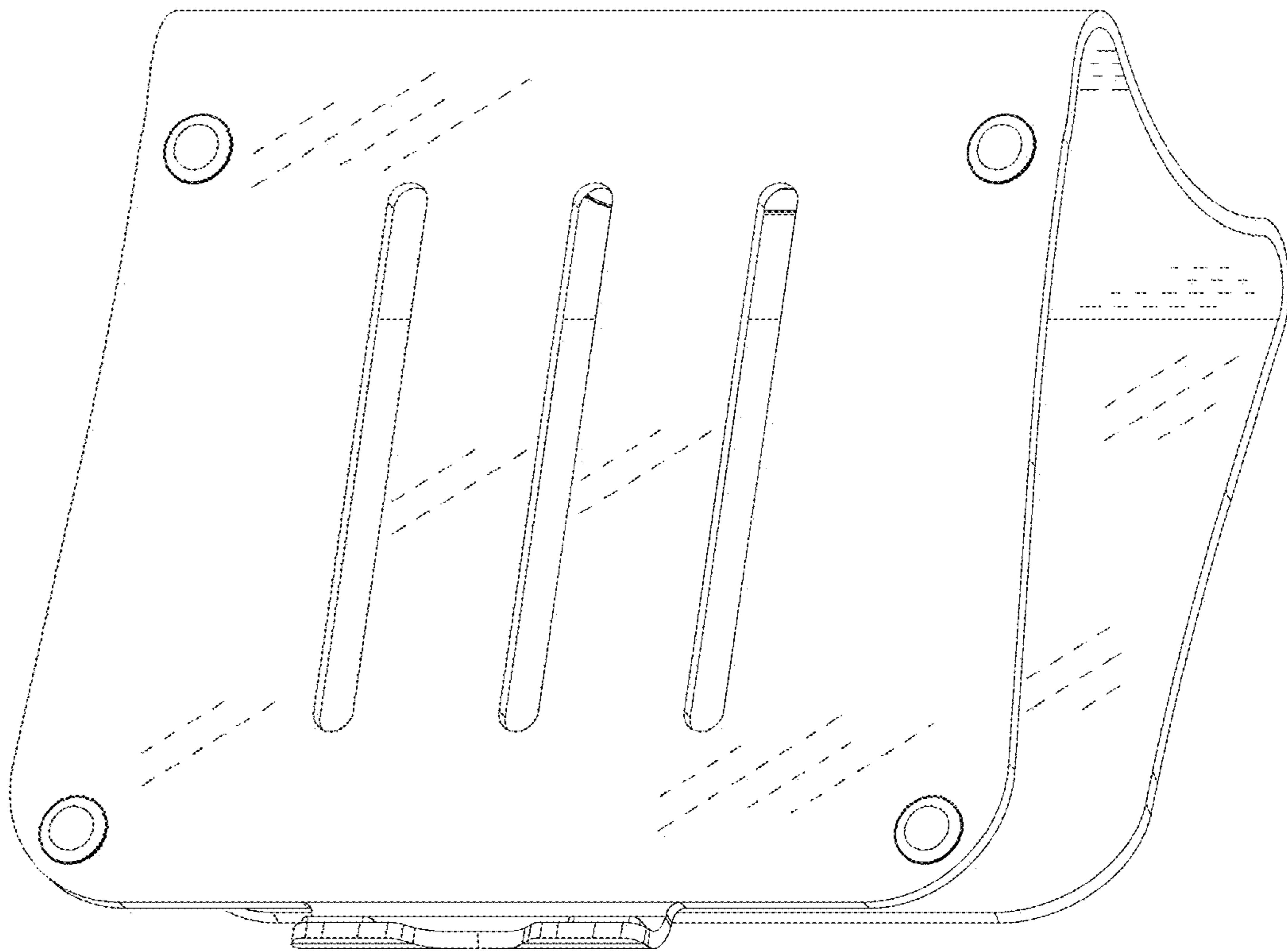


FIG.1

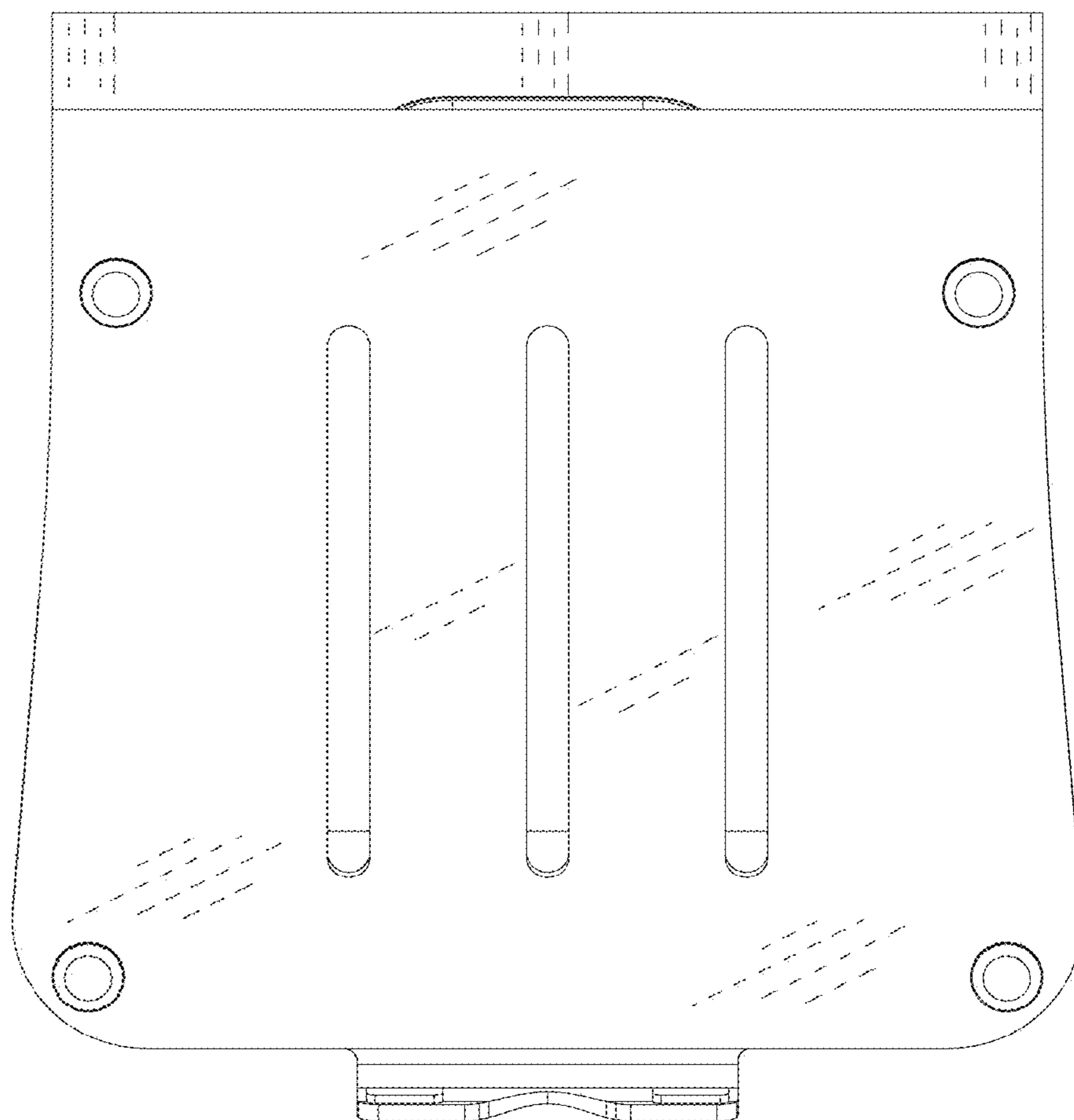


FIG.2

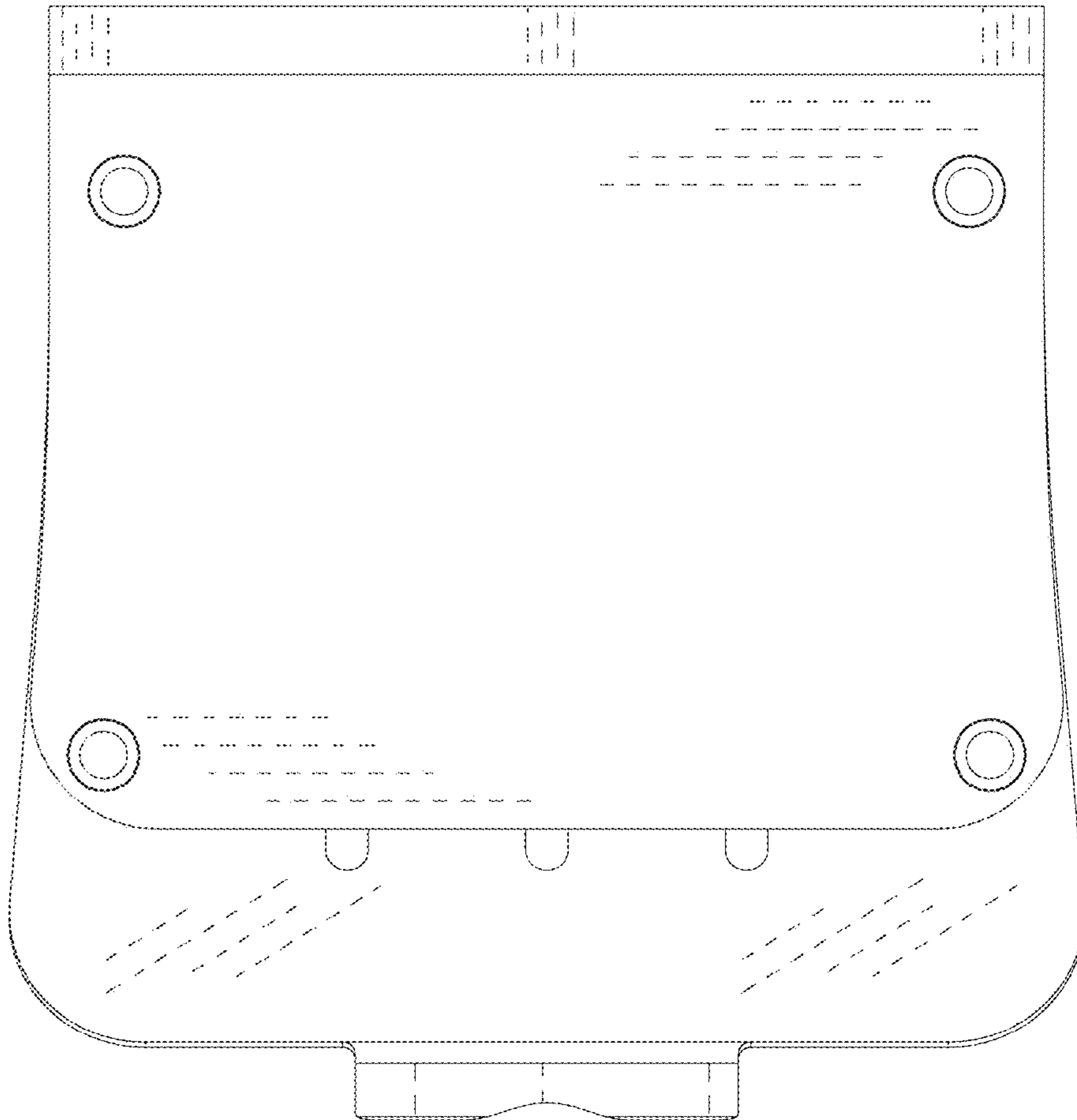


FIG.3

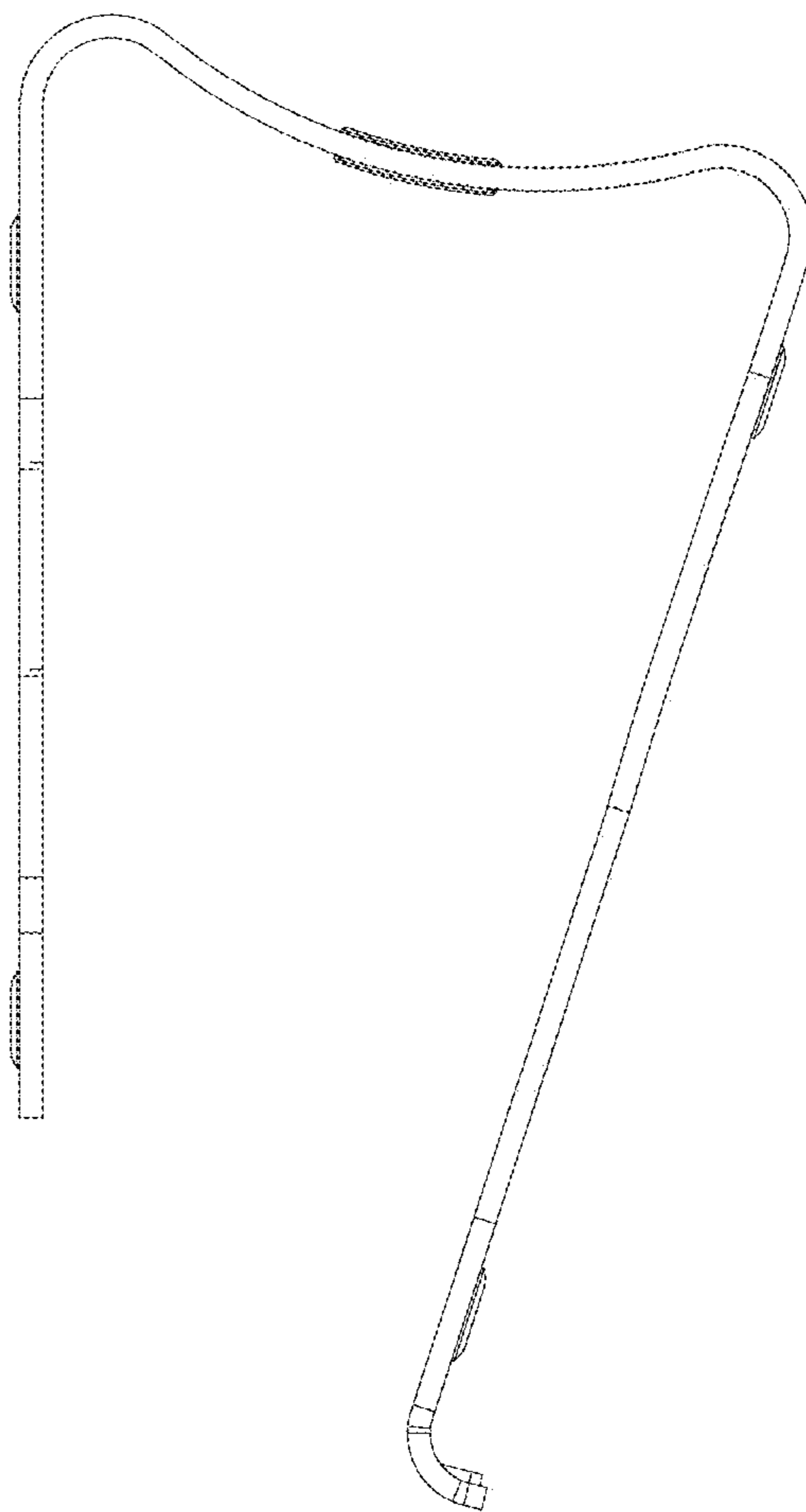


FIG.4

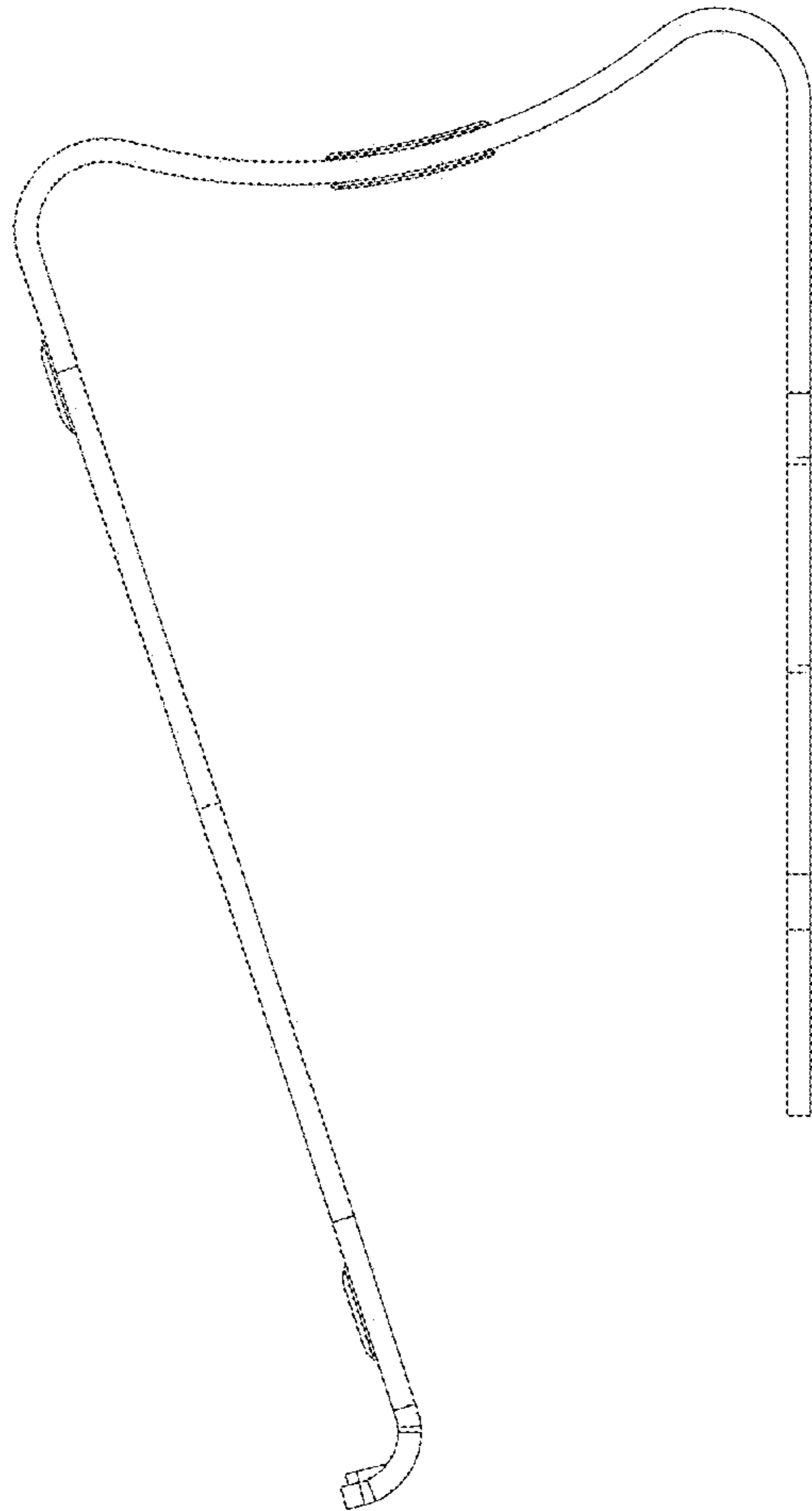


FIG.5

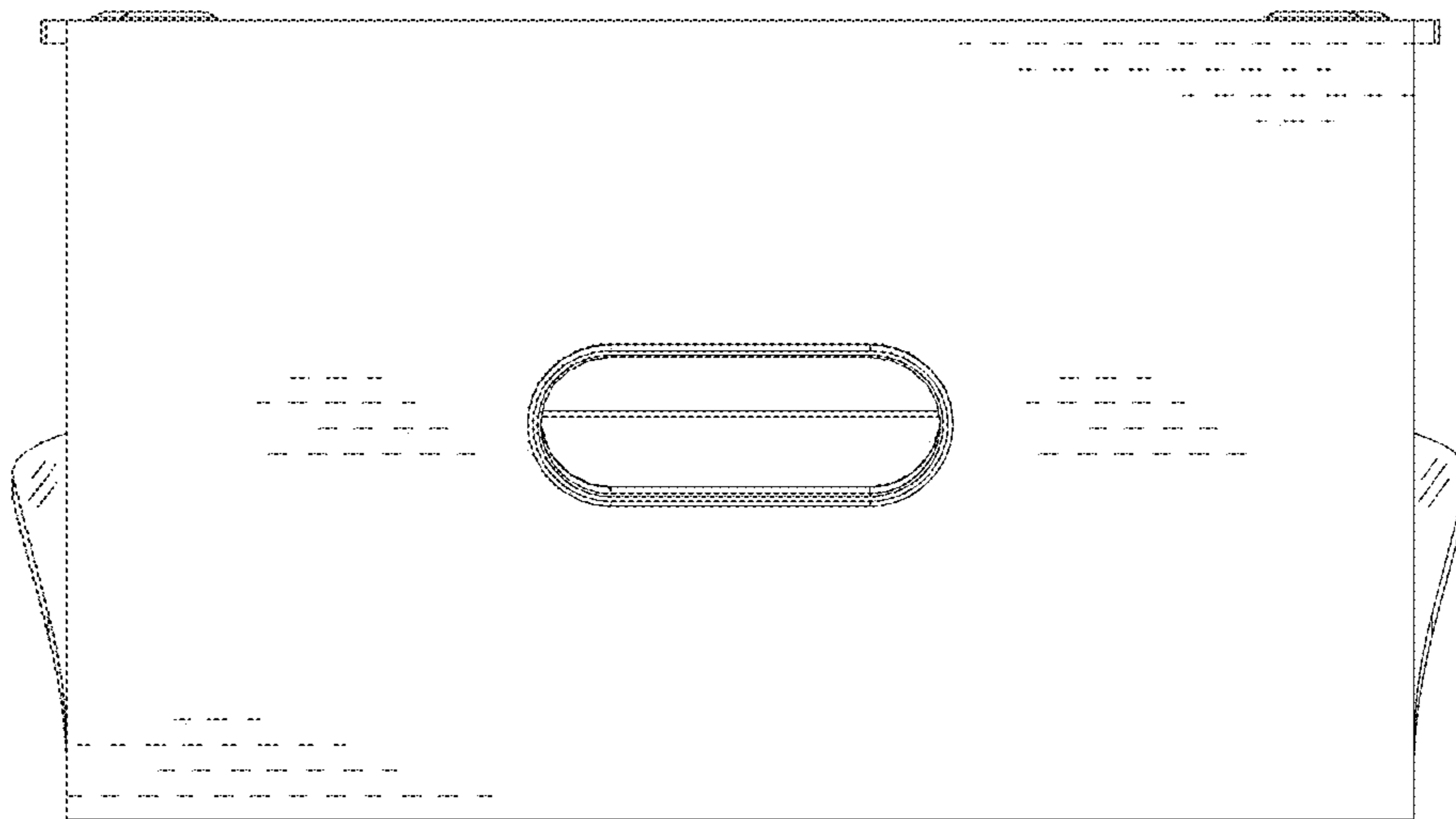


FIG.6

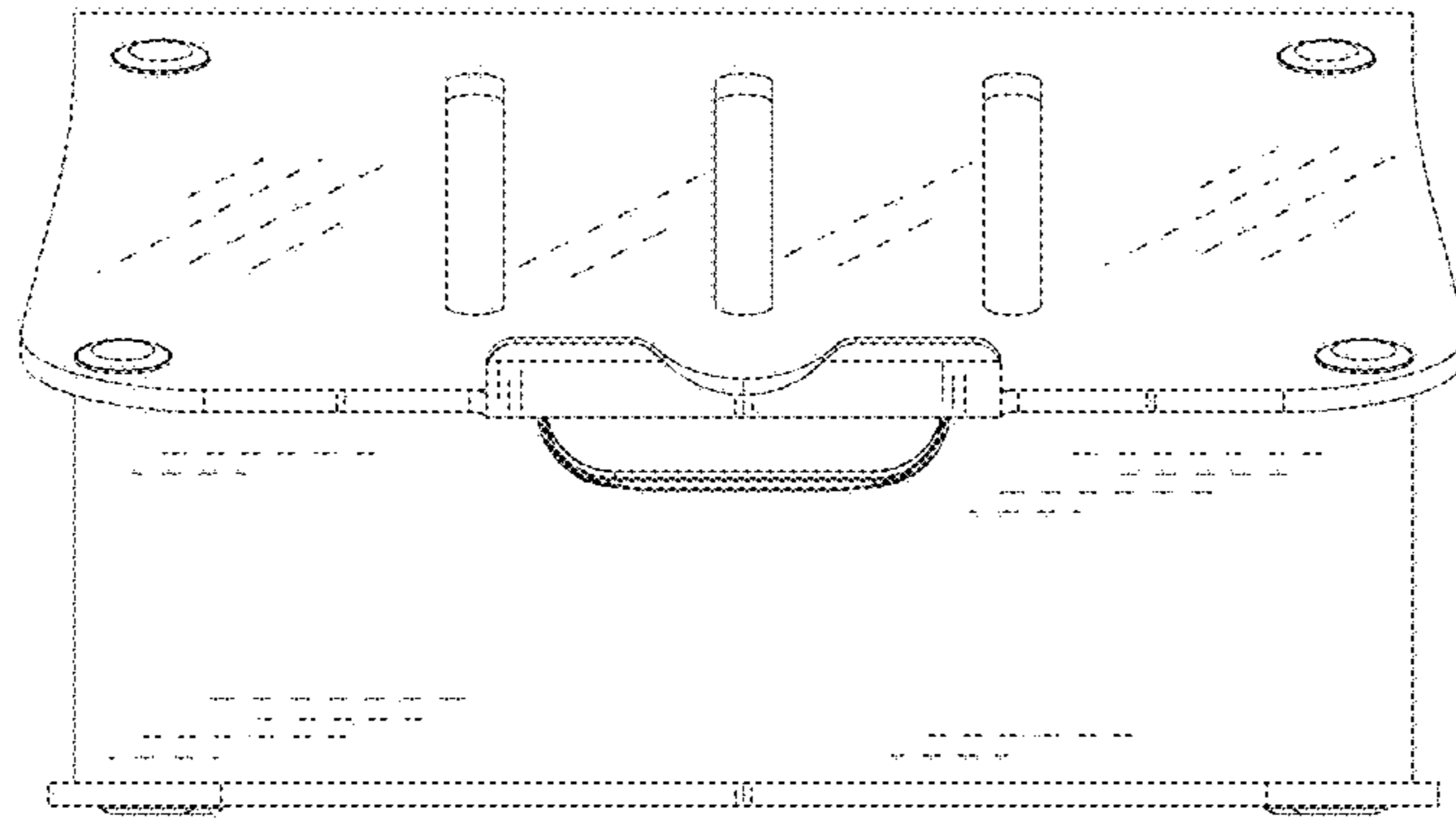


FIG.7