



US00D788780S

(12) **United States Design Patent**
Chen

(10) **Patent No.:** **US D788,780 S**

(45) **Date of Patent:** **** Jun. 6, 2017**

(54) **LAPTOP HOLDER**

(71) Applicant: **Shenzhen Shenghaina Technology Co., LTD.**, Shenzhen, Guangdong (CN)

(72) Inventor: **Xiaowei Chen**, Guangdong (CN)

(73) Assignee: **Shenzhen Shenghaina Technology Co., Ltd.**, Shenzhen (CN)

(**) Term: **15 Years**

(21) Appl. No.: **29/565,575**

(22) Filed: **May 23, 2016**

(51) **LOC (10) Cl.** **08-07**

(52) **U.S. Cl.**
USPC **D14/447**

(58) **Field of Classification Search**
CPC A47B 21/04; A47B 2097/006; A47B 2097/005; A47B 2023/049; A45C 2011/002; A45C 2011/003; F16M 2200/00; F16M 13/00

See application file for complete search history.

(56) **References Cited**

U.S. PATENT DOCUMENTS

D344,076 S *	2/1994	Zahabi	D14/447
D557,698 S *	12/2007	Lye	D14/447
D559,850 S *	1/2008	Lye	D14/447
D573,150 S *	7/2008	Sween	D14/447
D591,303 S *	4/2009	Heggland	D14/434

D645,865 S *	9/2011	Diehl	D14/299
D667,831 S *	9/2012	Stravitz	D14/447
D699,297 S *	2/2014	Bahsoun	D14/447
D714,297 S *	9/2014	Poulsen	D14/447
D730,914 S *	6/2015	Park	D14/447
D779,478 S *	2/2017	Justiss	D14/253
2004/0256535 A1 *	12/2004	Desch	A47B 23/042 248/460
2011/0084182 A1 *	4/2011	Suckle	A47B 23/042 248/160

* cited by examiner

Primary Examiner — Angela J Lee

(74) *Attorney, Agent, or Firm* — Rankin, Hill & Clark LLP

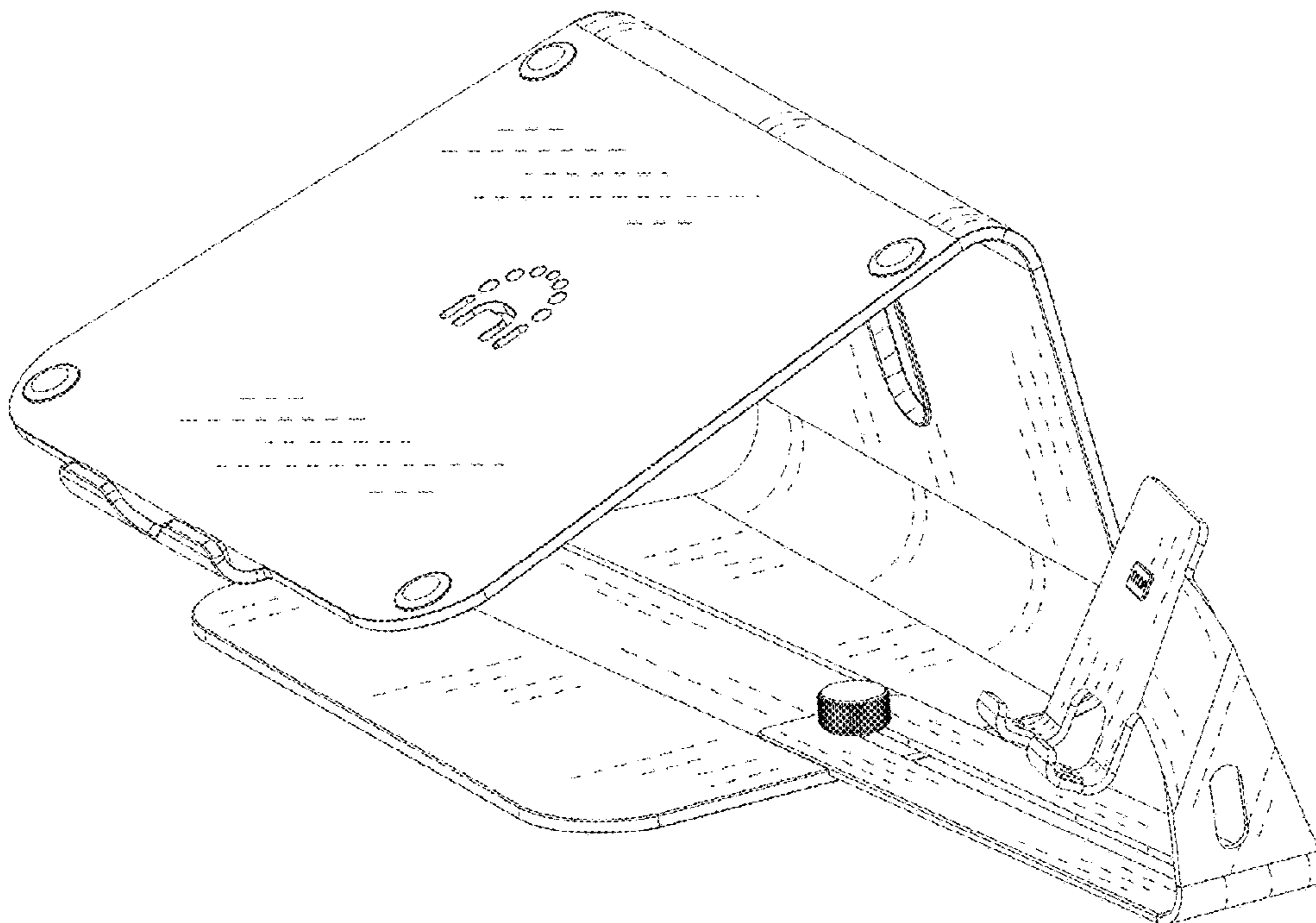
(57) **CLAIM**

The ornamental design for a laptop holder, as shown and described.

DESCRIPTION

FIG. 1 is a perspective view of a laptop holder; FIG. 2 is a perspective view of the laptop holder in a use state; FIG. 3 is a front view of the laptop holder; FIG. 4 is a rear view of the laptop holder; FIG. 5 is a left side view of the laptop holder; FIG. 6 is a right side view of the laptop holder; FIG. 7 is a top view of the laptop holder; and, FIG. 8 is a bottom view of the laptop holder.

1 Claim, 8 Drawing Sheets



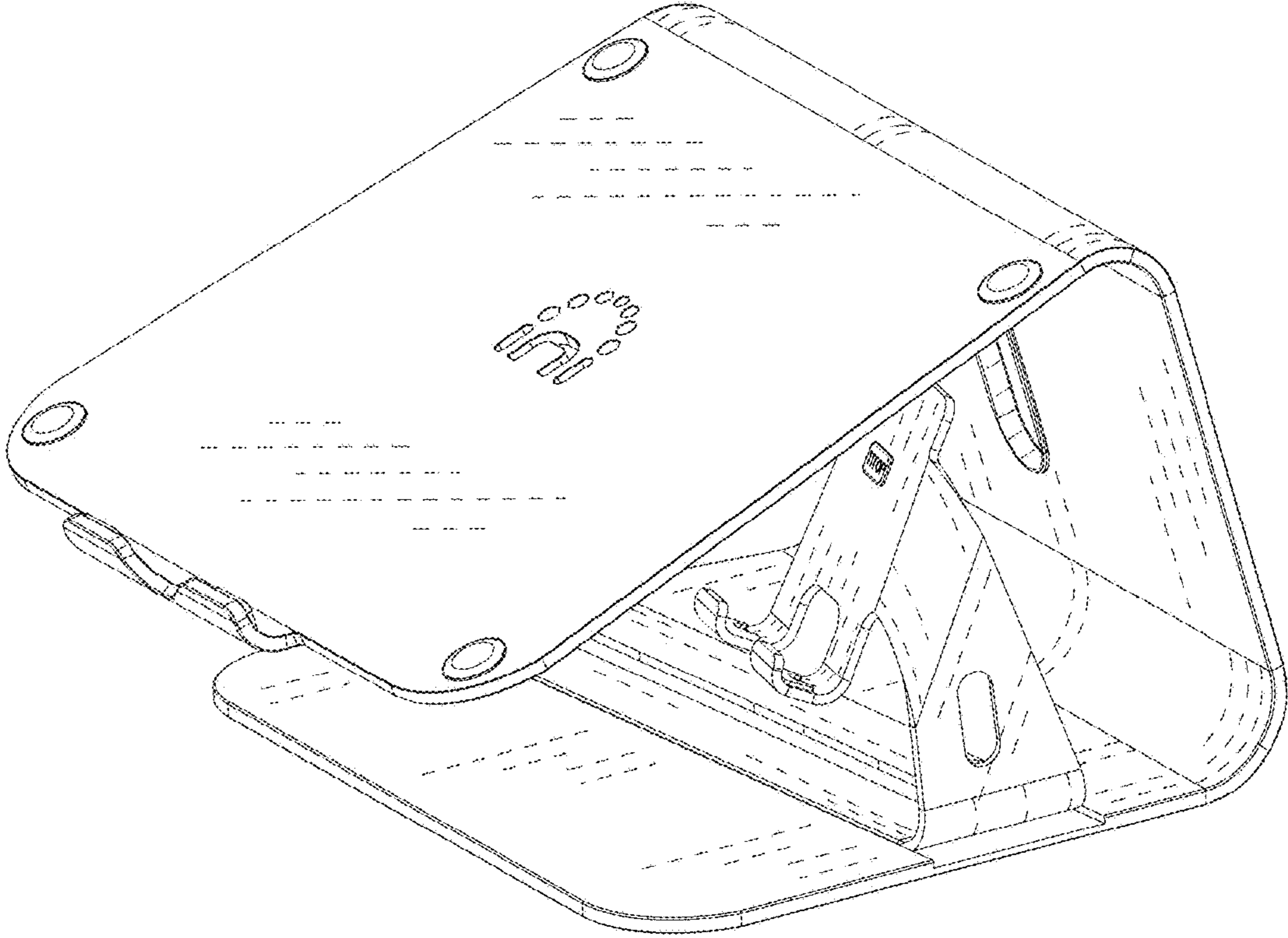


FIG.1

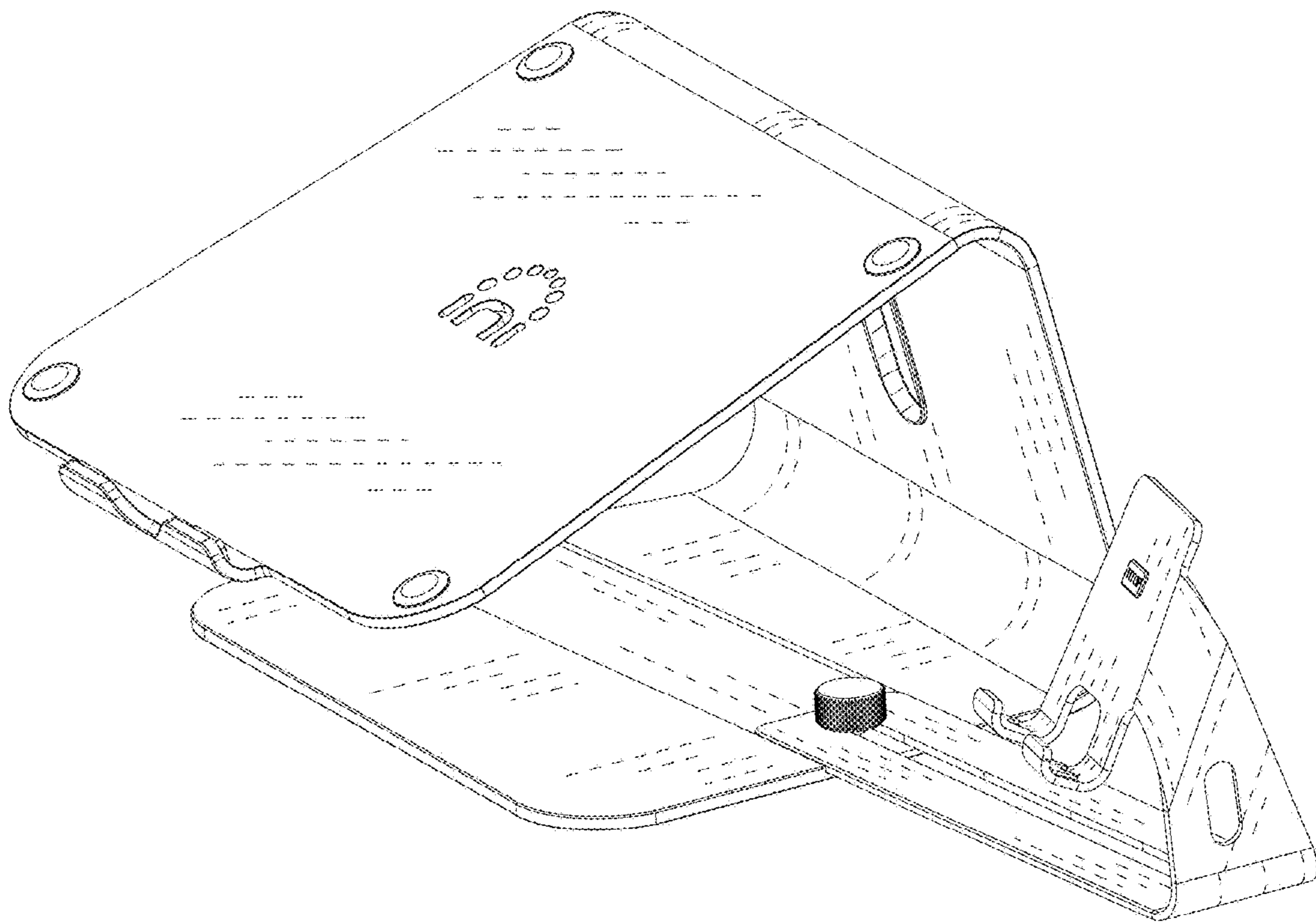


FIG.2

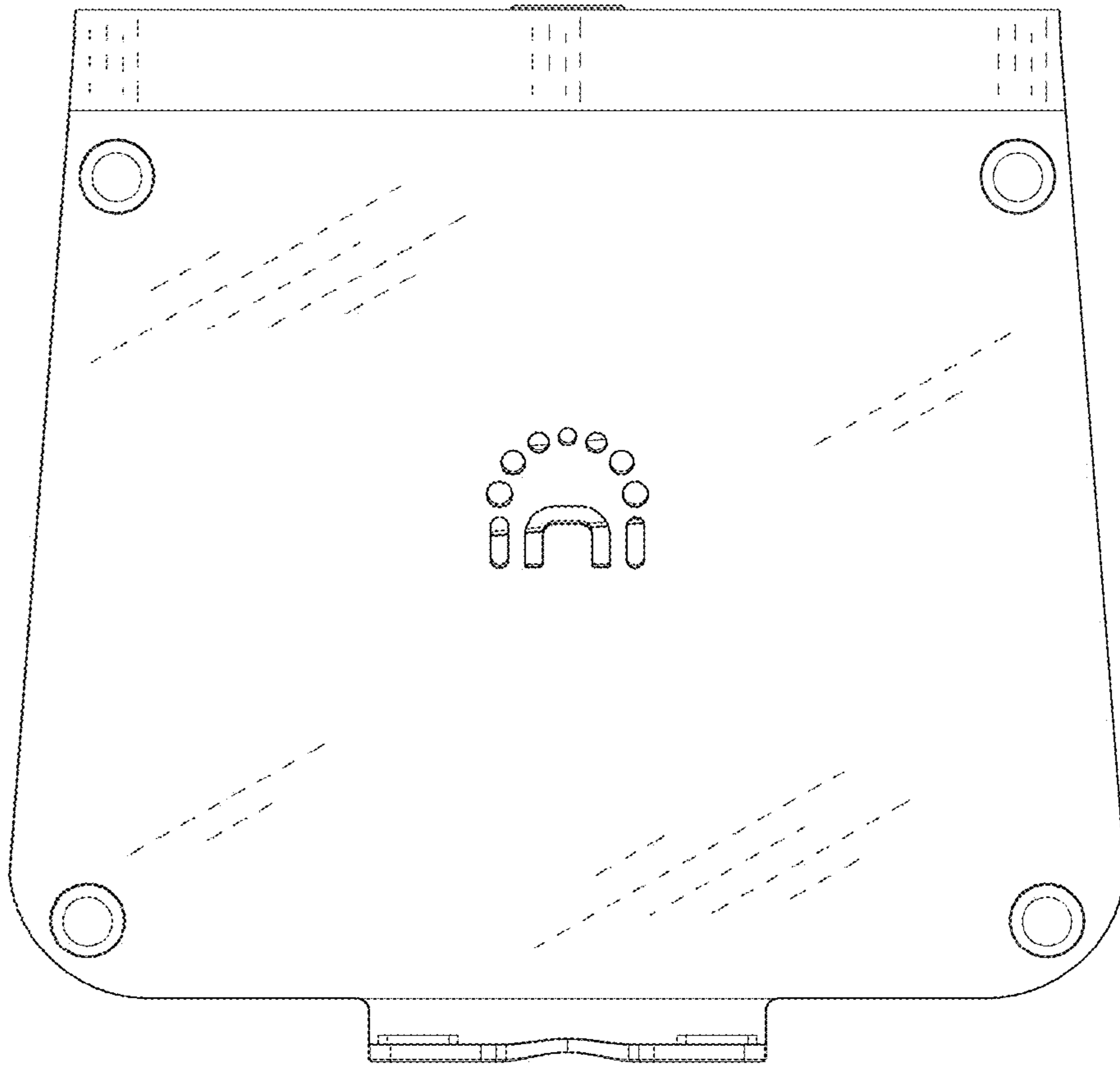


FIG.3

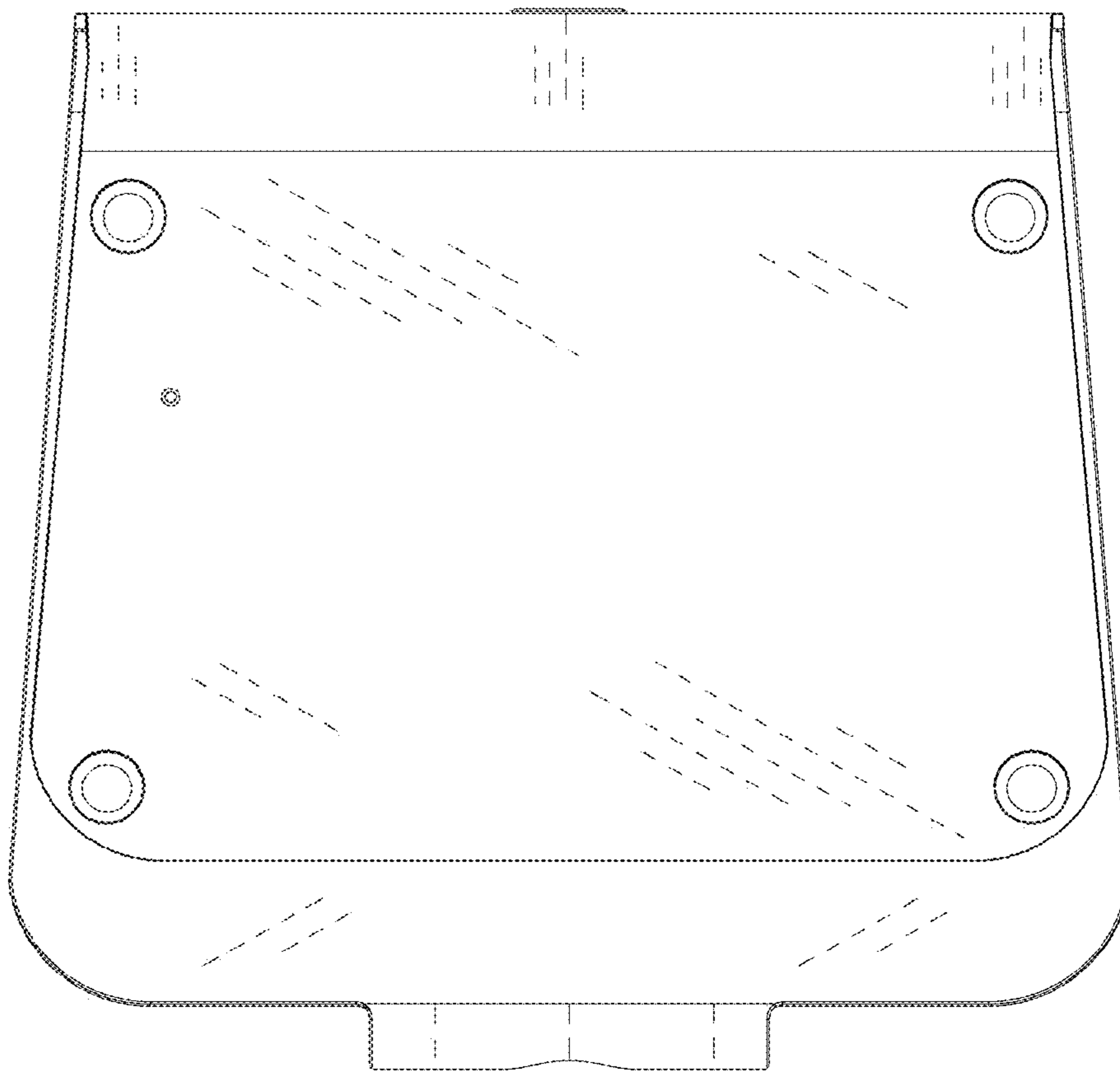


FIG.4

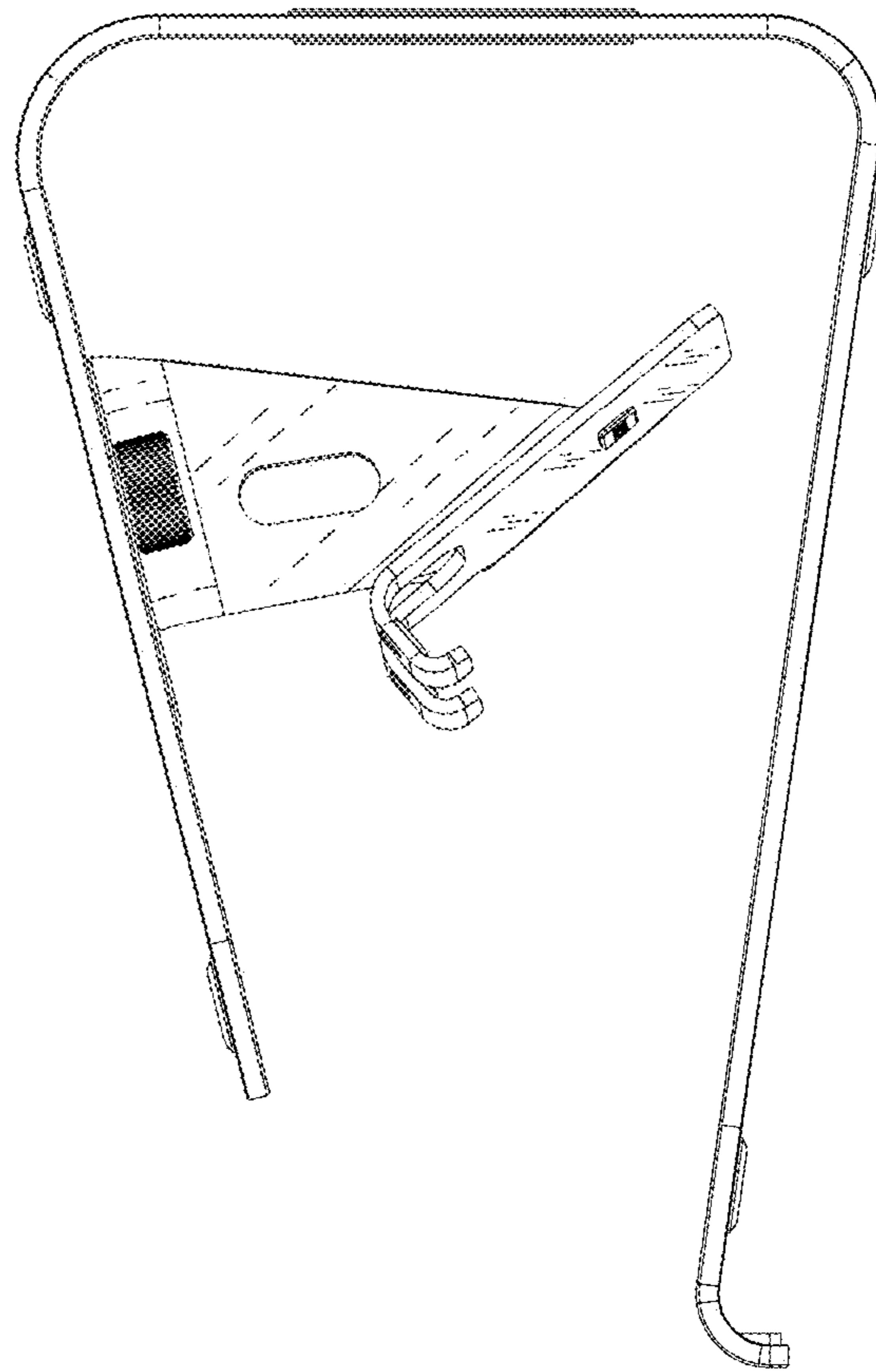


FIG.5

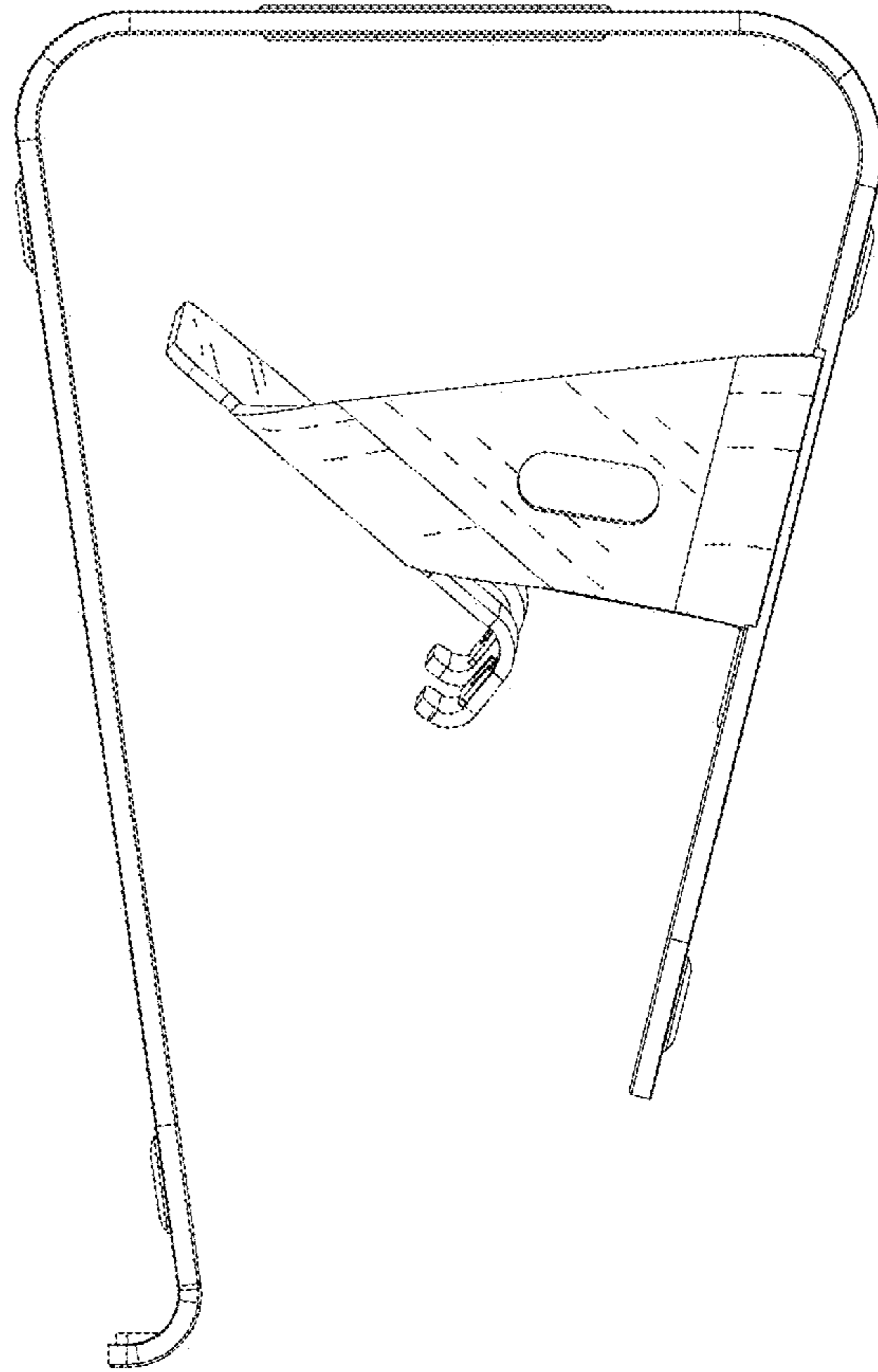


FIG.6

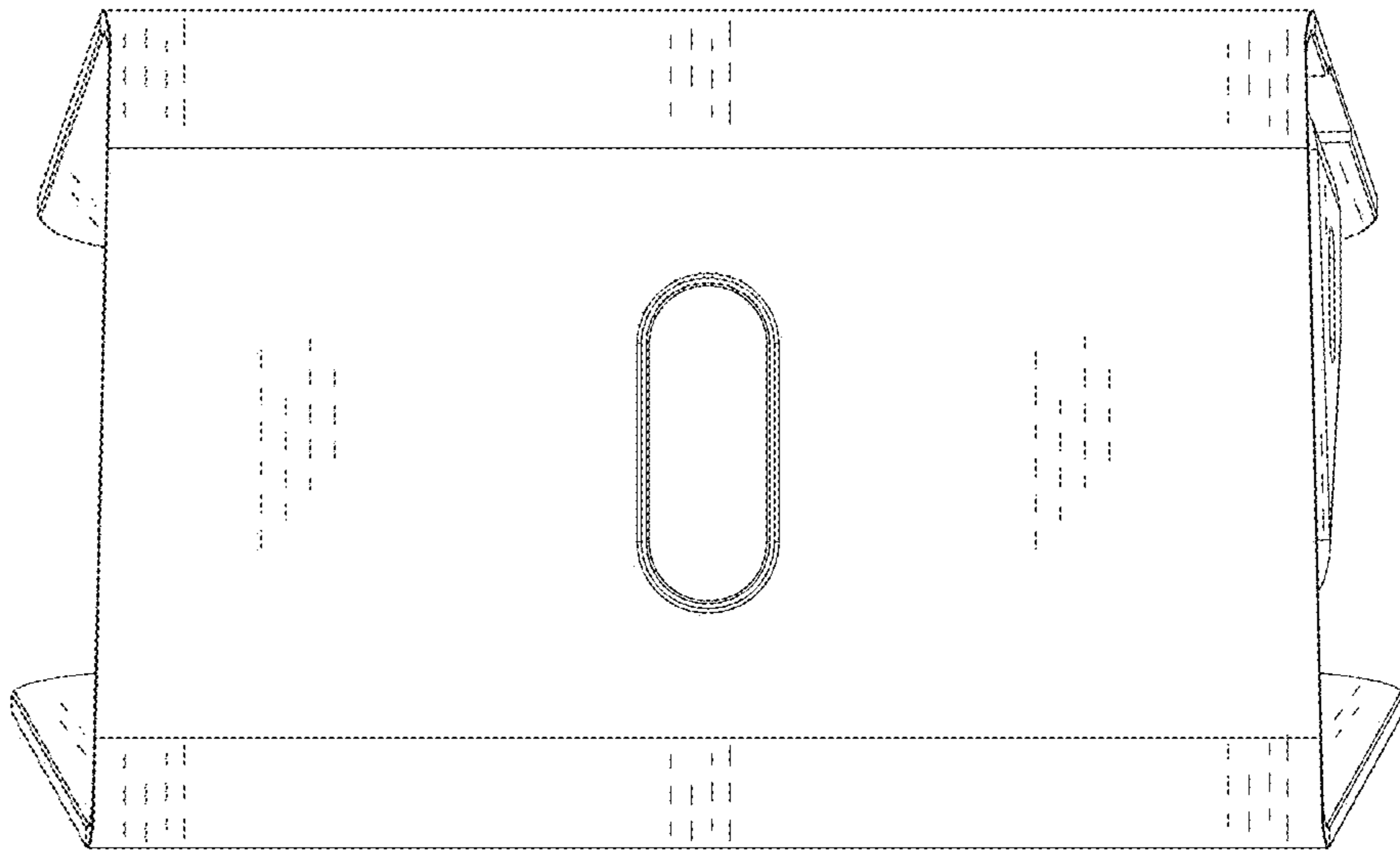


FIG.7

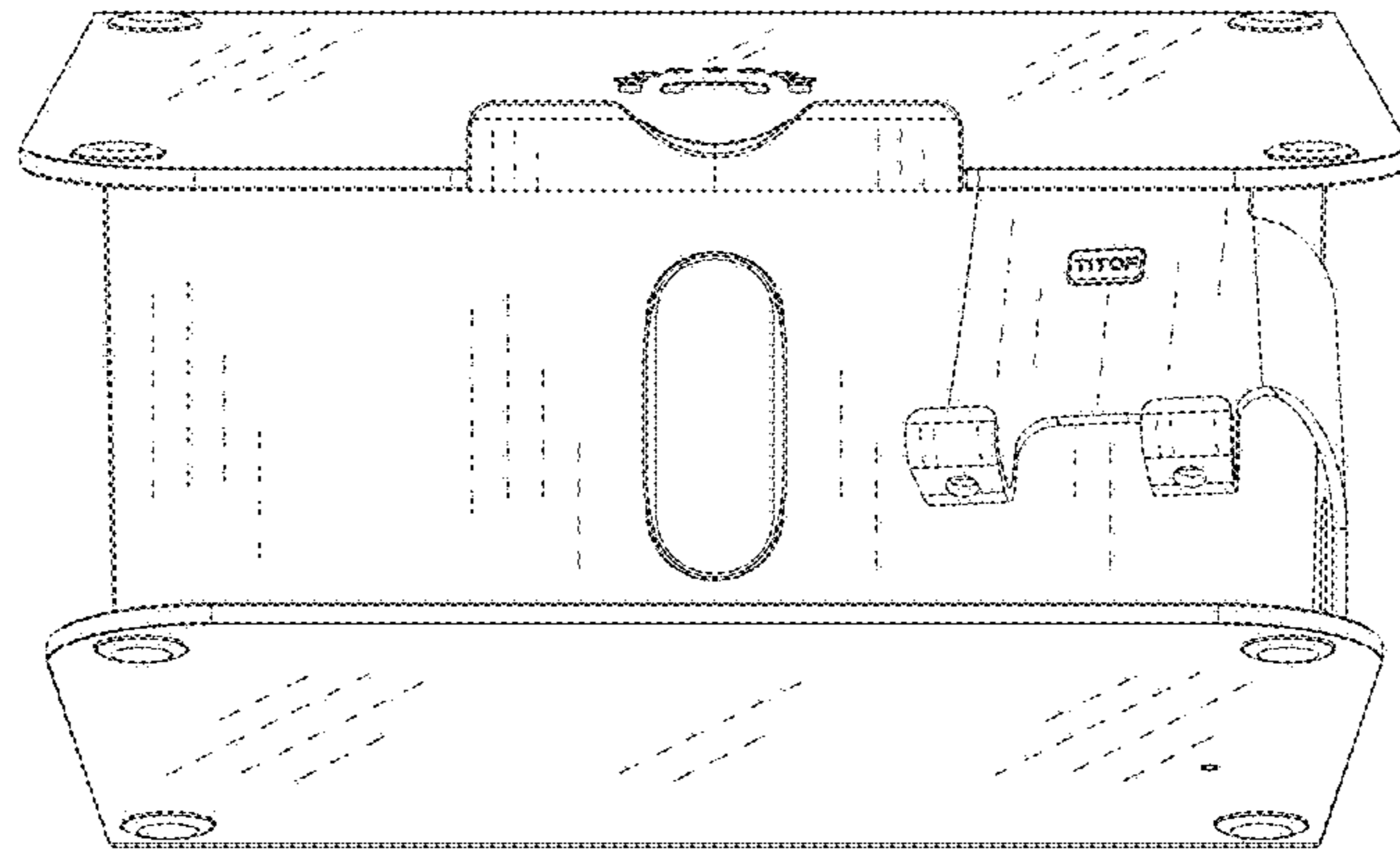


FIG.8