



US00D788779S

(12) **United States Design Patent** (10) **Patent No.:** **US D788,779 S**
Moreau et al. (45) **Date of Patent:** **** Jun. 6, 2017**

(54) **TABLET POUCH WITH TETHER**
(71) Applicant: **Ty-Flot, Inc.**, Manchester, NH (US)
(72) Inventors: **Darrell A. Moreau**, Manchester, NH (US); **Andre W. Moreau**, Bedford, NH (US); **Reginald Moreau**, Litchfield, NH (US)
(73) Assignee: **Ty-Flot, Inc.**, Manchester, NH (US)
(**) Term: **15 Years**
(21) Appl. No.: **29/537,063**
(22) Filed: **Aug. 21, 2015**
(51) **LOC (10) Cl.** **14-02**
(52) **U.S. Cl.**
USPC **D14/440**
(58) **Field of Classification Search**
USPC D14/440, 250, 447; D3/299; 206/45.23, 206/320, 45.2; 361/679.55; 294/25; 224/218; D9/414
CPC G06F 1/1628; G06F 1/1667; G06F 1/1626; A47B 23/044; H04B 1/3888; A45C 11/00; A45C 13/002
See application file for complete search history.

Primary Examiner — Cynthia Underwood
(74) *Attorney, Agent, or Firm* — Mesmer & Deleault PLLC

(57) **CLAIM**

We claim the ornamental design for a tablet pouch with tether, as shown and described.

DESCRIPTION

FIG. 1 is a front elevational view of a tablet pouch showing our new design in a closed position;
FIG. 2 is a rear elevational view thereof showing belt loops and attachment connectors;
FIG. 3 is a right side elevational view thereof;
FIG. 4 is a left side elevational view thereof;
FIG. 5 is a top end view thereof;
FIG. 6 is a bottom end view thereof;
FIG. 7 is right side elevational view of the tablet pouch shown in an open position;
FIG. 8 is a left side elevational view of the tablet pouch shown in the open position;
FIG. 9 is a perspective view looking towards the rear, inside portion of the tablet pouch in the open position and showing a tether pocket recessed into padding, stylus slots attached along the wall of the front inside portion, tablet retaining straps extending diagonally across corner regions of the rear inside portion, and a connector loop with connector attached near the top end of the front inside portion;
FIG. 10 is a perspective view looking towards the front, inside portion of the tablet pouch in the open position and showing the stylus slots, tether pocket, connector loop with connector, and retaining straps; and,
FIG. 11 is a left side and front perspective view showing the tablet pouch in the open position showing the tether pocket recessed into the padded area and a coiled connector strap attached to the connector loop; and where objects illustrated in broken lines are not part of the claimed design and are shown to illustrate exemplary components of the tablet pouch.

(56) **References Cited**

U.S. PATENT DOCUMENTS

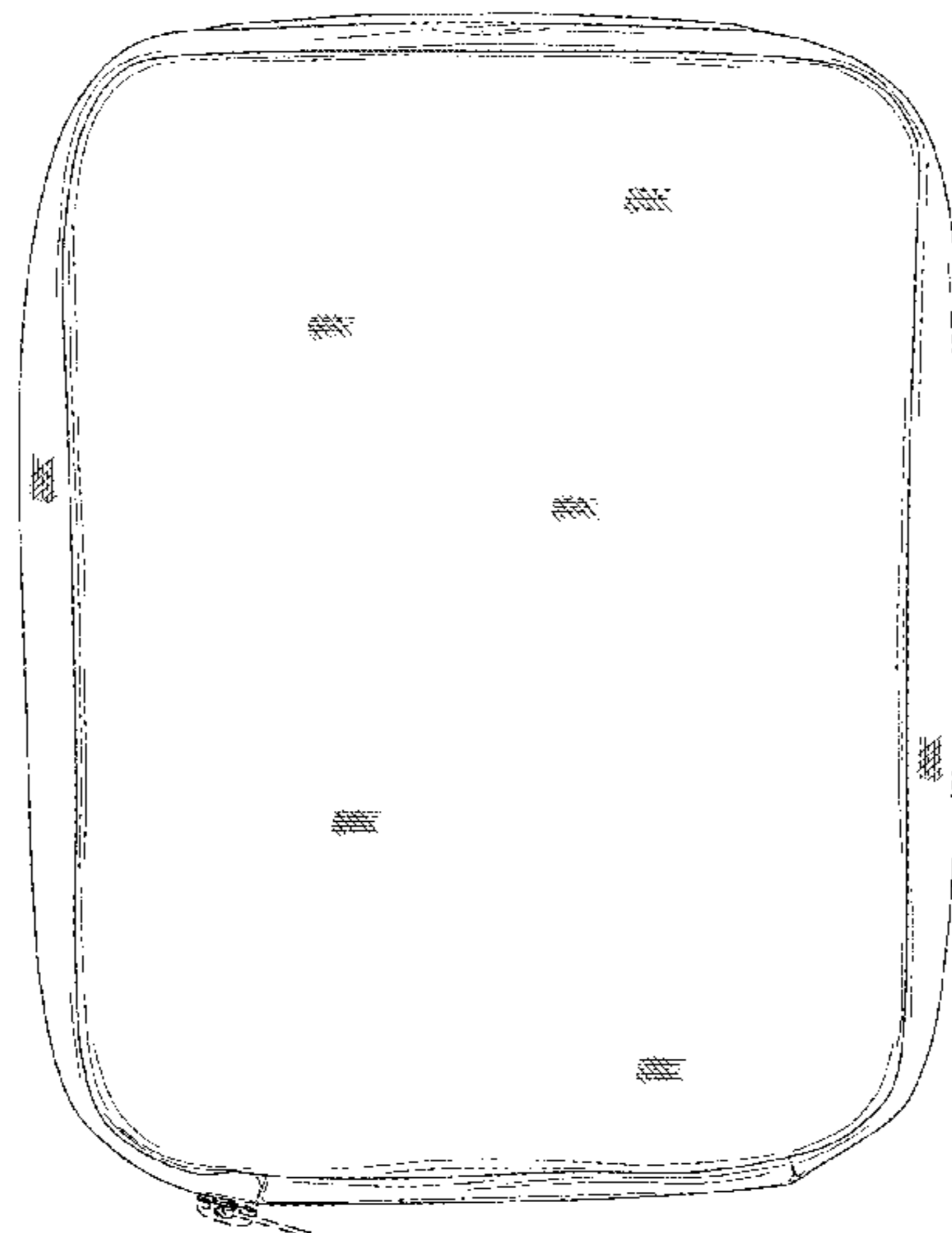
D588,353 S *	3/2009	Khubani	D3/201
D611,253 S *	3/2010	Lown	D3/301
D632,930 S *	2/2011	Chretien	D7/607
D645,251 S *	9/2011	Lee	D3/301
D672,353 S *	12/2012	Liu	D14/440
D676,448 S *	2/2013	Gorman	D14/440
D681,951 S *	5/2013	Phillips	D3/299
D696,864 S *	1/2014	Phillips	D3/299

(Continued)

OTHER PUBLICATIONS

T-Reign Outdoor, Pro Case product brochure.

1 Claim, 9 Drawing Sheets



(56)

References Cited

U.S. PATENT DOCUMENTS

D709,509 S * 7/2014 Kim D14/440
D715,052 S * 10/2014 Fair D3/301
D729,252 S * 5/2015 Smith D14/440
D729,811 S * 5/2015 Alis D14/440
D733,148 S * 6/2015 Flannigan D14/440
D743,170 S * 11/2015 Akana D3/299
D743,698 S * 11/2015 Della Vecchia D3/273
D749,322 S * 2/2016 Wright D3/300
2010/0071395 A1* 3/2010 Ledoux F25D 3/08
62/259.1
2010/0230301 A1* 9/2010 Fellig H04B 1/3888
206/232
2016/0095404 A1* 4/2016 Zech A45C 13/001
383/15
2016/0120280 A1* 5/2016 Dingler A45C 3/02
224/608

* cited by examiner

Fig. 1

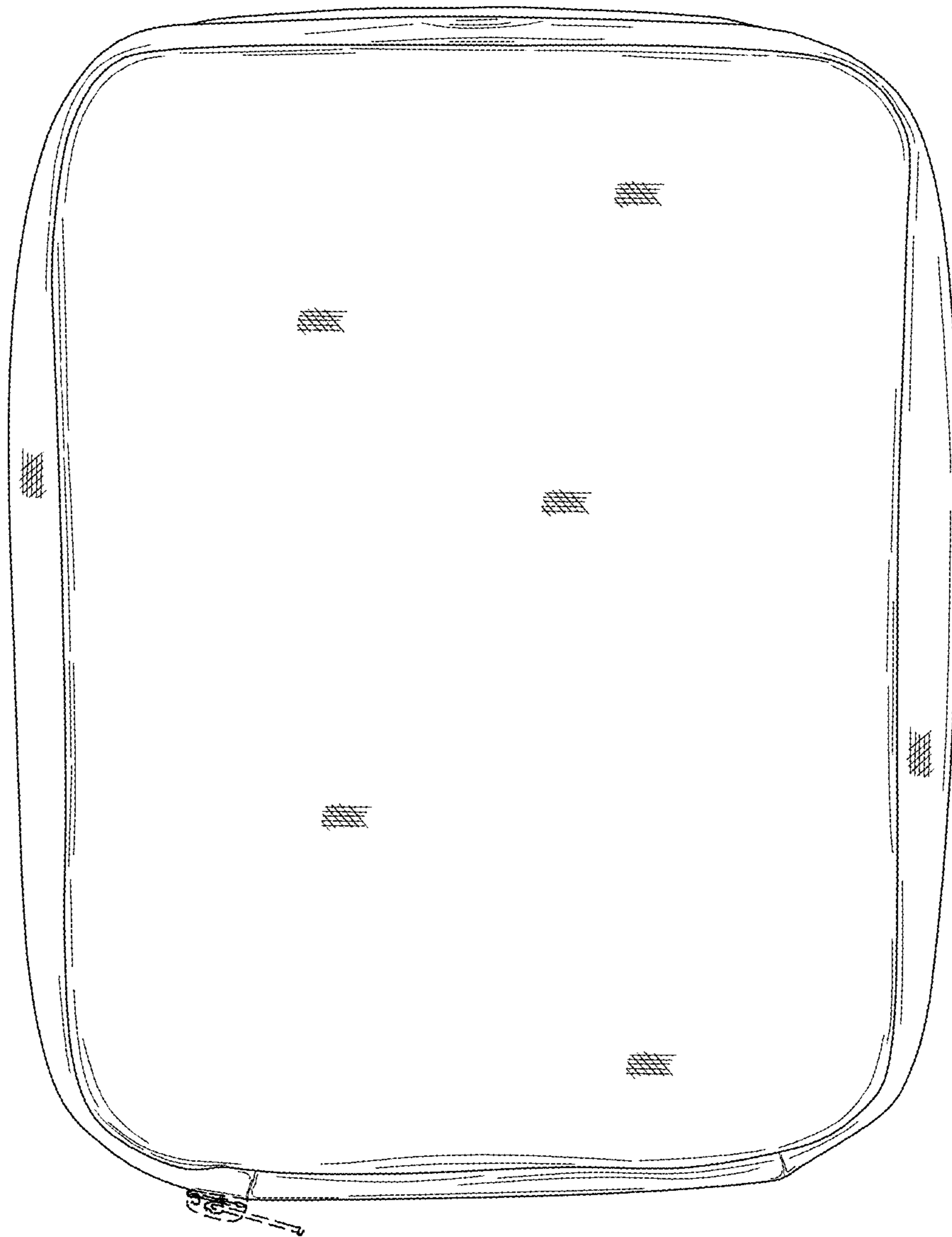


Fig. 2

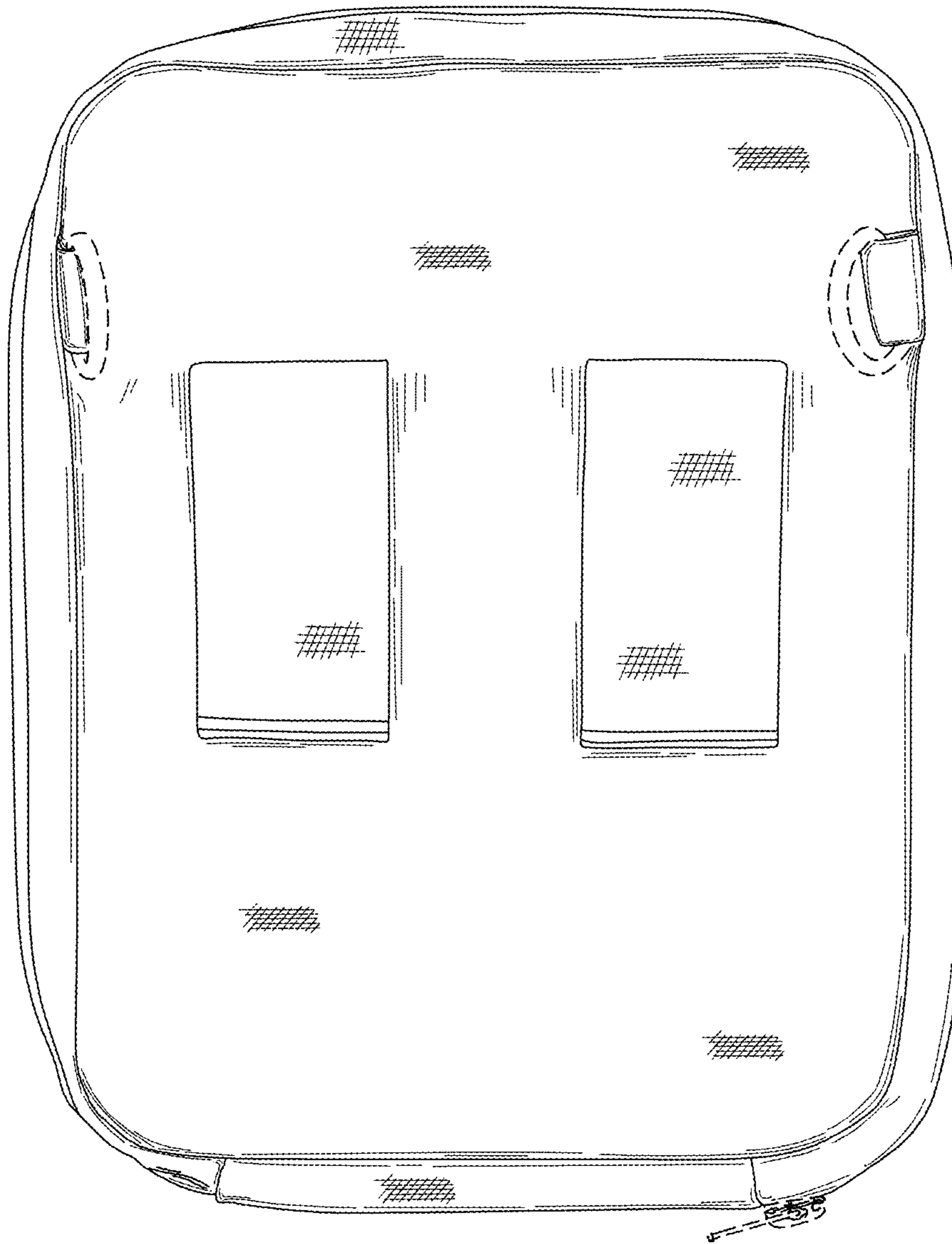


Fig. 3

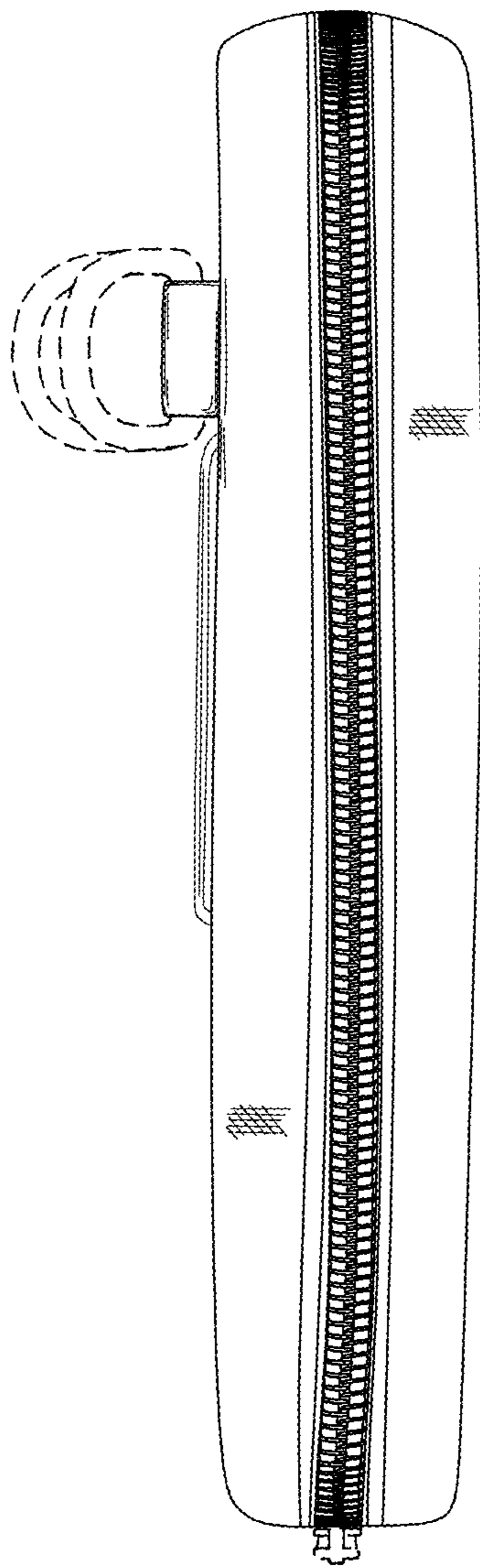


Fig. 4

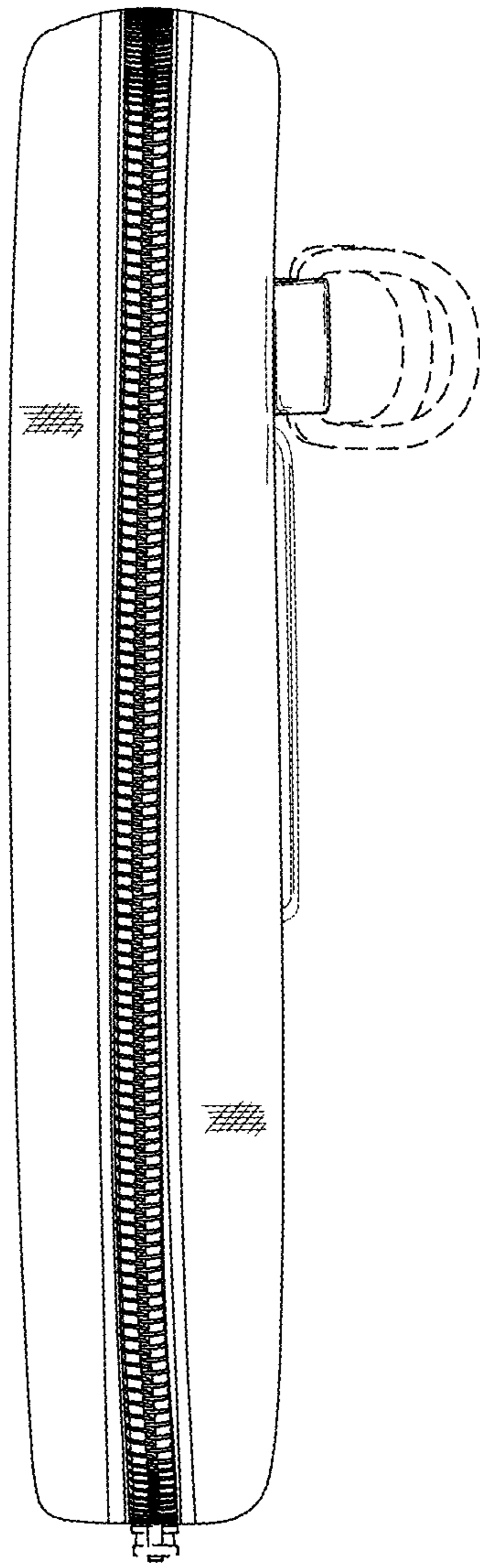


Fig. 5

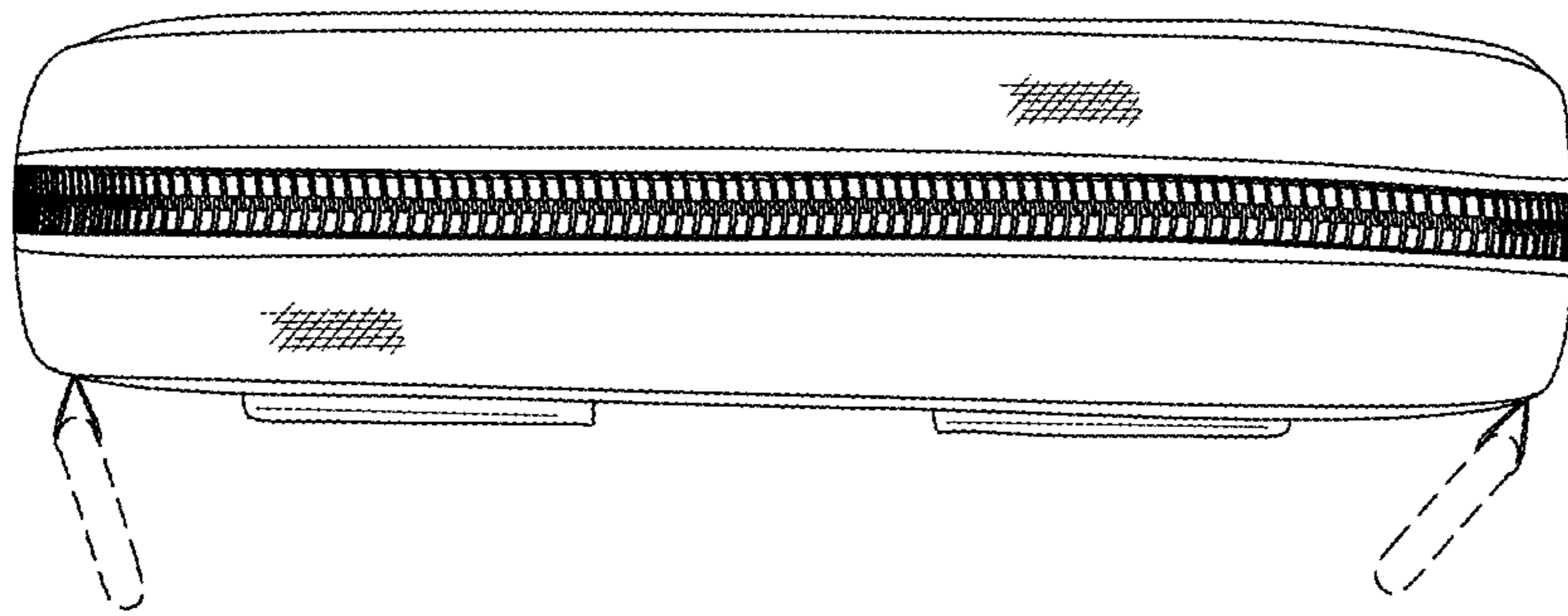


Fig. 6

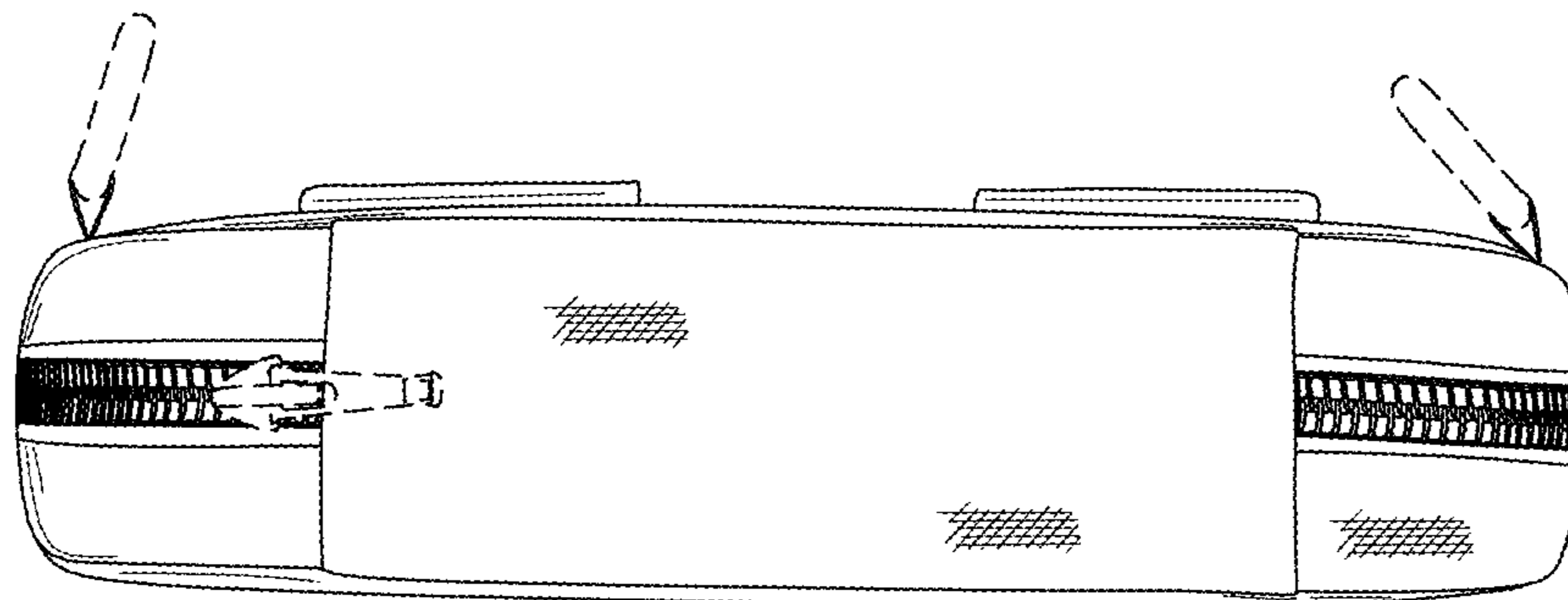


Fig. 7

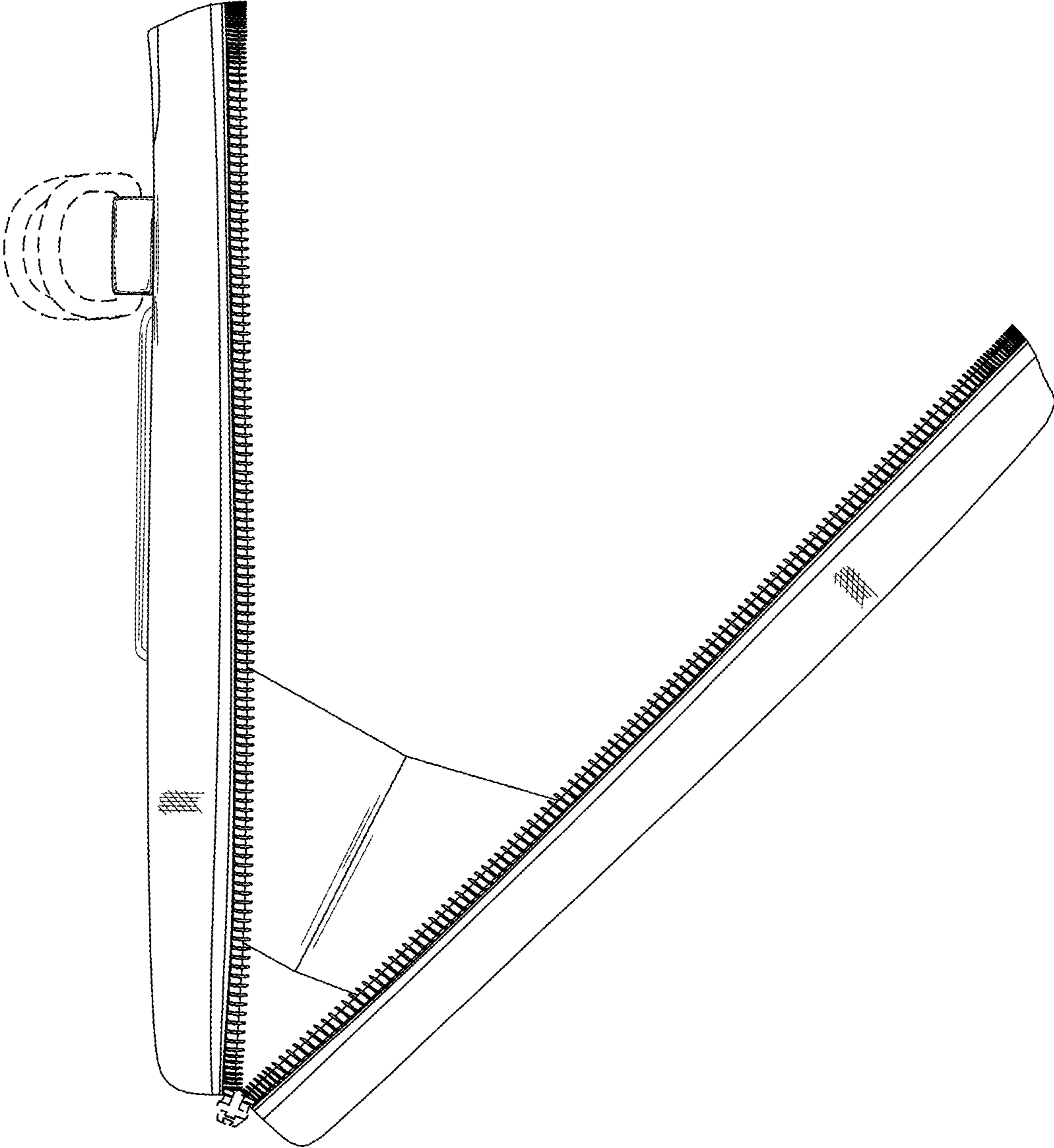


Fig. 8

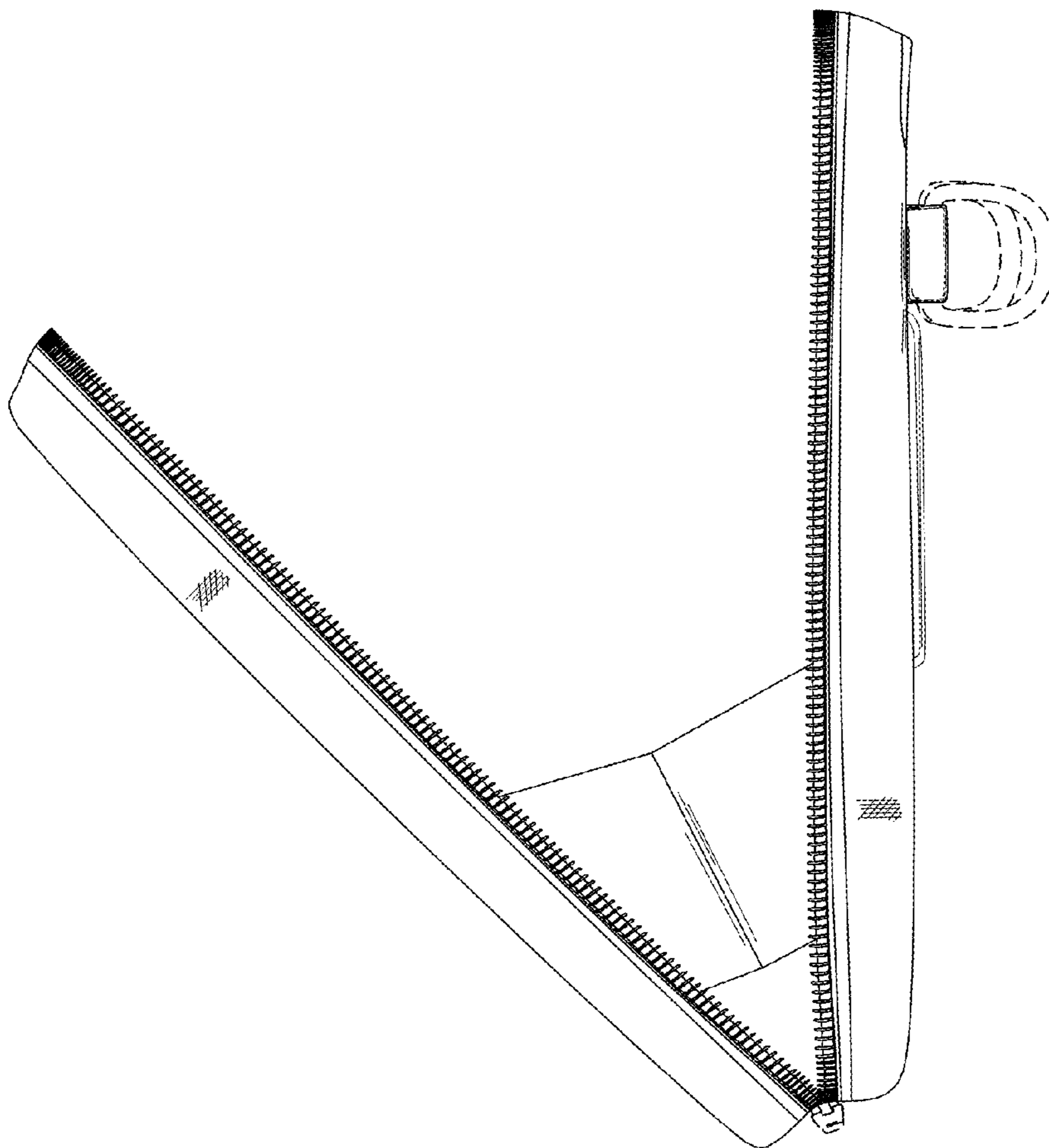


Fig. 9

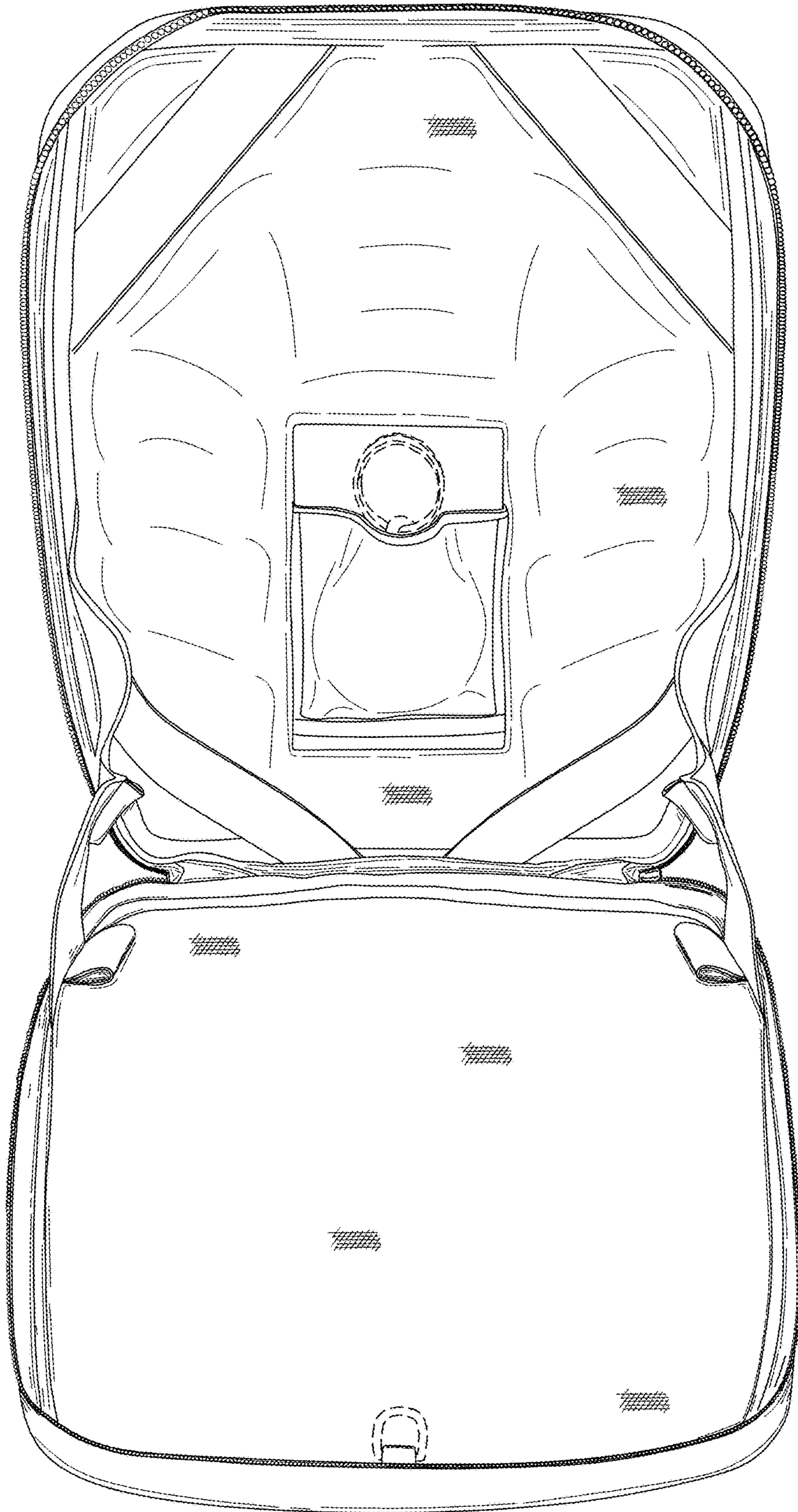


Fig. 10

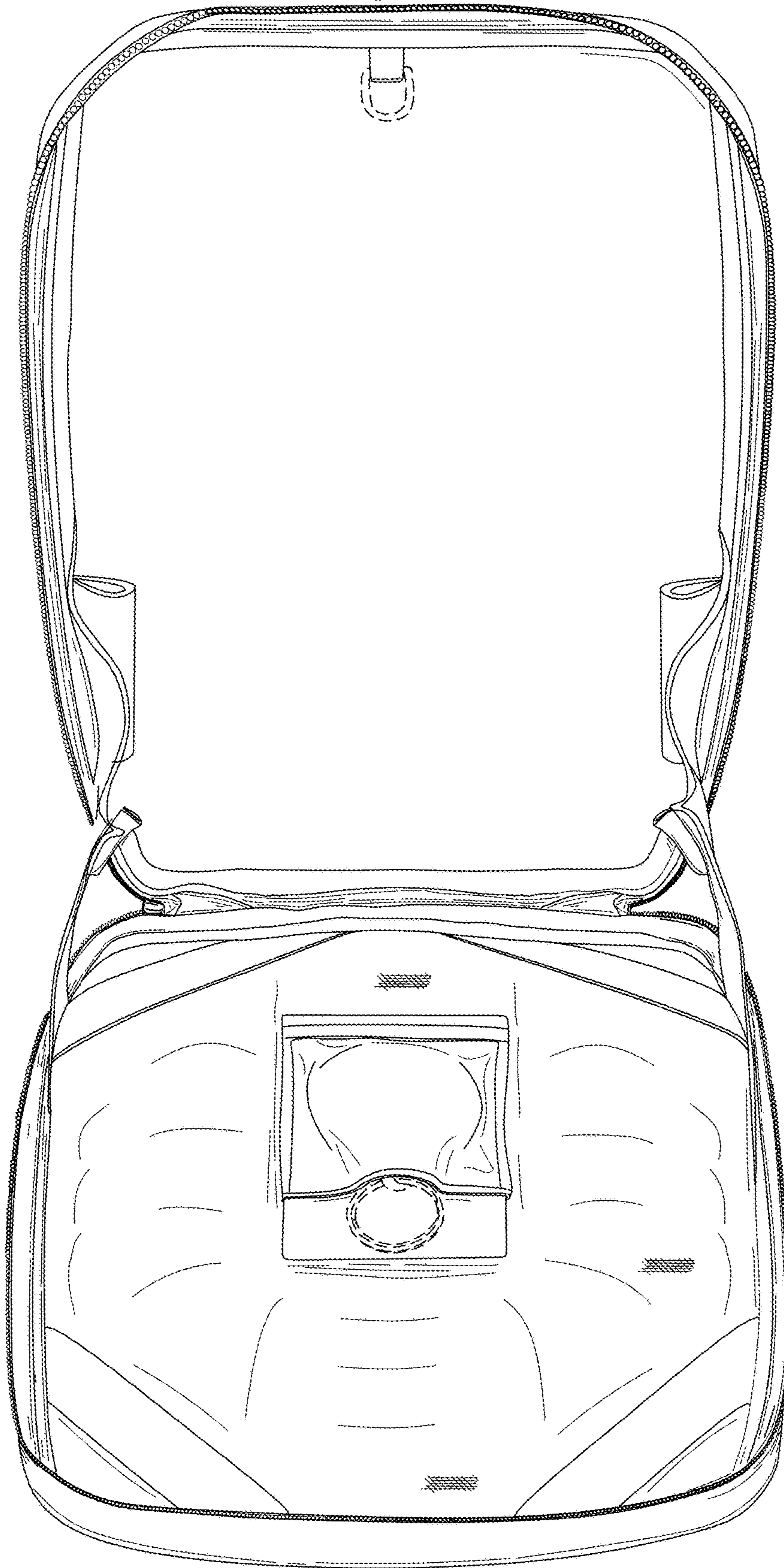


Fig. 11

