



US00D788777S

(12) **United States Design Patent**
Bargetzi

(10) **Patent No.:** **US D788,777 S**

(45) **Date of Patent:** **** Jun. 6, 2017**

- (54) **CABLE MANAGEMENT HUB**
- (71) Applicant: **Crestron Electronics, Inc.**, Rockleigh, NJ (US)
- (72) Inventor: **Fred Bargetzi**, Rockleigh, NJ (US)
- (73) Assignee: **Crestron Electronics Inc.**, Rockleigh, NJ (US)
- (**) Term: **14 Years**
- (21) Appl. No.: **29/493,732**
- (22) Filed: **Jun. 12, 2014**
- (51) **LOC (10) Cl.** **14-02**
- (52) **U.S. Cl.**
USPC **D14/433**
- (58) **Field of Classification Search**
USPC D14/356, 432-434, 453, 454, 511, 203.8, D14/209.1, 238.1, 240, 125, 435.1; 439/638, 928, 105, 502; 710/303, 304, 710/305; 361/679.41, 679.55, 679.56; D13/110, 133, 146, 108; 320/111
CPC G06K 19/005; G06K 19/07732; H05K 5/0278; G09F 23/10
See application file for complete search history.

- D534,495 S * 1/2007 Gershfeld D13/139.4
 - 7,163,409 B1 1/2007 Chen et al.
 - D553,306 S 10/2007 Hansen
 - D601,150 S * 9/2009 Romero D14/433
- (Continued)

OTHER PUBLICATIONS

Product Data Sheet for "Pixel" by Office Electrics, www.office-electrics.com, www.elsafe.com/au, Dec. 23, 2013.

Primary Examiner — Austin Murphy

(74) *Attorney, Agent, or Firm* — Crestron Electronics Inc.

(57) **CLAIM**

The ornamental design for a cable management hub, as shown and described.

DESCRIPTION

FIG. 1 is a top perspective view of a cable management hub for use on a table in a cable management system in a disassembled state in relationship to a table portion according to an embodiment.

FIG. 2 is a top perspective view of the cable management hub of FIG. 1 shown partially assembled.

FIG. 3 is a top view of the cable management hub.

FIG. 4 is a top view of the cable management hub with a table portion, absent a cover plate such that a plurality of cable connectors are visible within a hub well of the cable management hub.

FIG. 5 is a bottom view of the cable management hub.

FIG. 6 is a first side view of the cable management hub.

FIG. 7 is a second side view of the cable management hub.

FIG. 8 is a top perspective view of the cable management hub; and,

FIG. 9 is a bottom perspective view of the cable management hub.

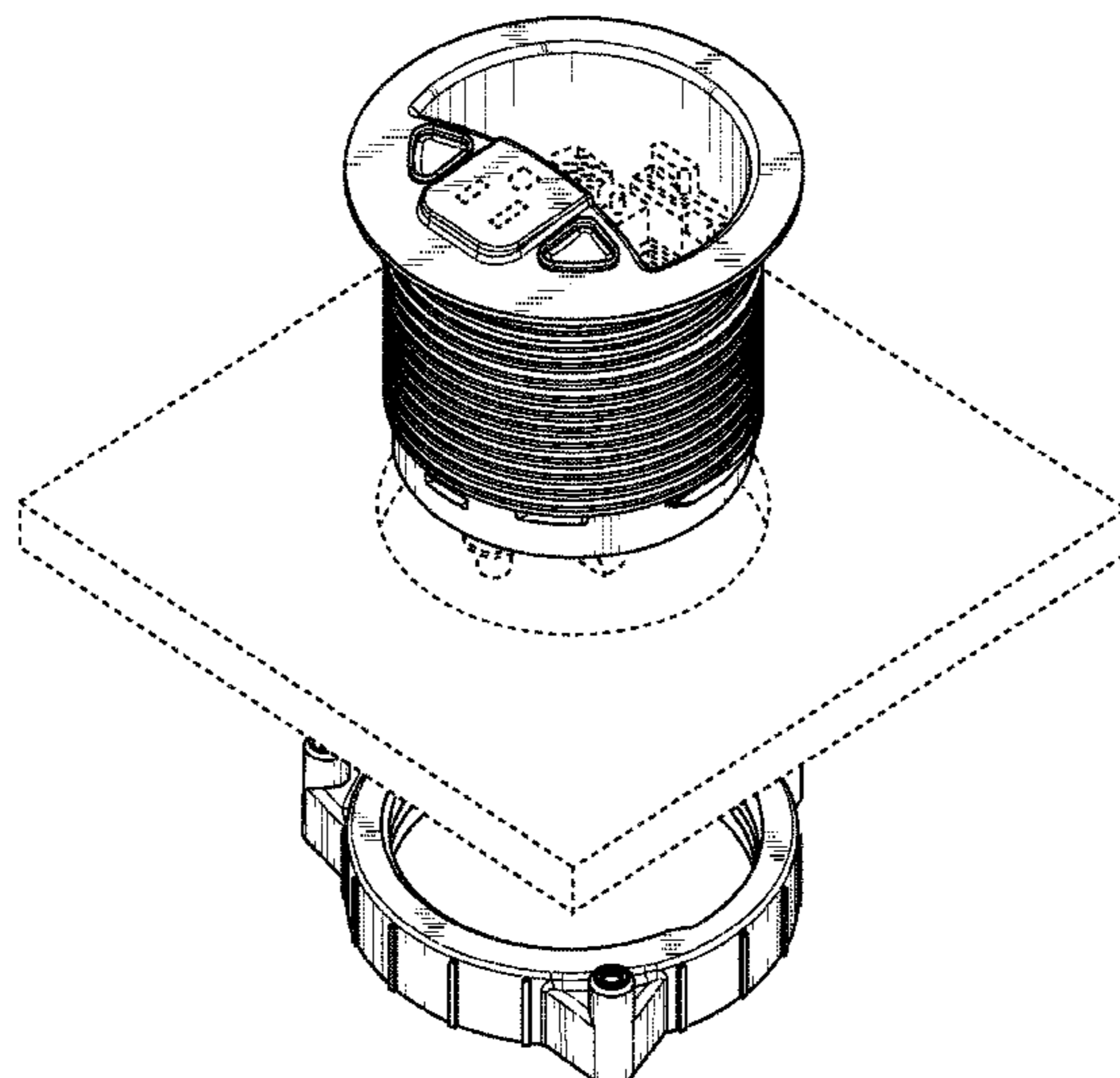
The portion of the tabletop shown in FIGS. 1 and 4 are for illustrative purposes only and form no part of the claimed design.

(56) **References Cited**

U.S. PATENT DOCUMENTS

- 3,646,244 A 2/1972 Cole
- 5,553,864 A 9/1996 Sitrick
- 5,925,849 A * 7/1999 Chen H02G 3/185
174/482
- 5,940,521 A 8/1999 East et al.
- D433,994 S * 11/2000 Jobs D13/110
- 6,296,522 B1 * 10/2001 Ho H01R 25/003
439/640
- D481,392 S * 10/2003 Dyer D14/433
- D484,097 S * 12/2003 Drane D13/139.4
- 7,053,296 B2 * 5/2006 Drane H02G 3/185
174/483

1 Claim, 9 Drawing Sheets



(56)

References Cited

U.S. PATENT DOCUMENTS

7,806,723 B2 10/2010 Chong et al.
7,822,065 B2 10/2010 Lu
D629,002 S * 12/2010 Bau D14/433
8,007,295 B2 8/2011 Lin
D647,853 S 11/2011 Kan
8,260,482 B1 9/2012 Szybalski et al.
8,475,186 B1 * 7/2013 Sikkema H01R 13/447
439/131
8,598,453 B2 * 12/2013 Hsiao H02G 3/185
174/481
D714,726 S * 10/2014 Byrne D13/137.1
8,963,023 B2 * 2/2015 Phillips H02G 3/123
16/365
9,024,211 B2 * 5/2015 Stathis H02G 3/0406
16/2.1
9,124,056 B1 * 9/2015 Lewis, Jr. H01R 39/64
D741,266 S * 10/2015 Byrne D13/138.2
9,257,776 B2 * 2/2016 Kramer A47B 97/00
2002/0074460 A1 6/2002 Behar
2003/0028884 A1 2/2003 Swart et al.
2012/0305868 A1 12/2012 Callahan et al.
2013/0174045 A1 7/2013 Sarukkai et al.
2013/0247096 A1 9/2013 Miller et al.
2013/0324244 A1 12/2013 Mikhailov et al.
2013/0327569 A1 12/2013 Stathis et al.
2014/0179428 A1 6/2014 Miura et al.
2015/0008805 A1 1/2015 Kramer

* cited by examiner

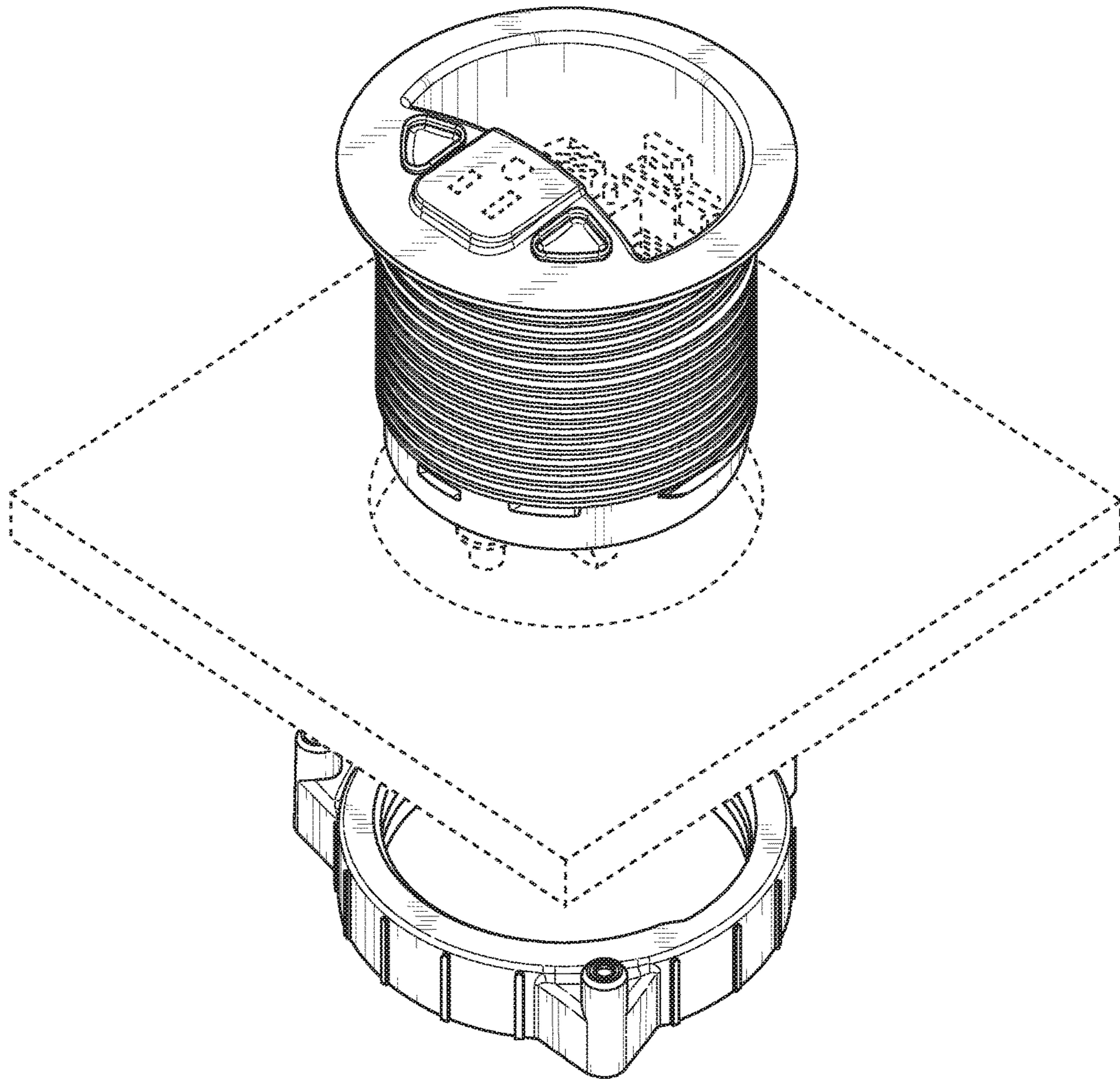


FIG. 1

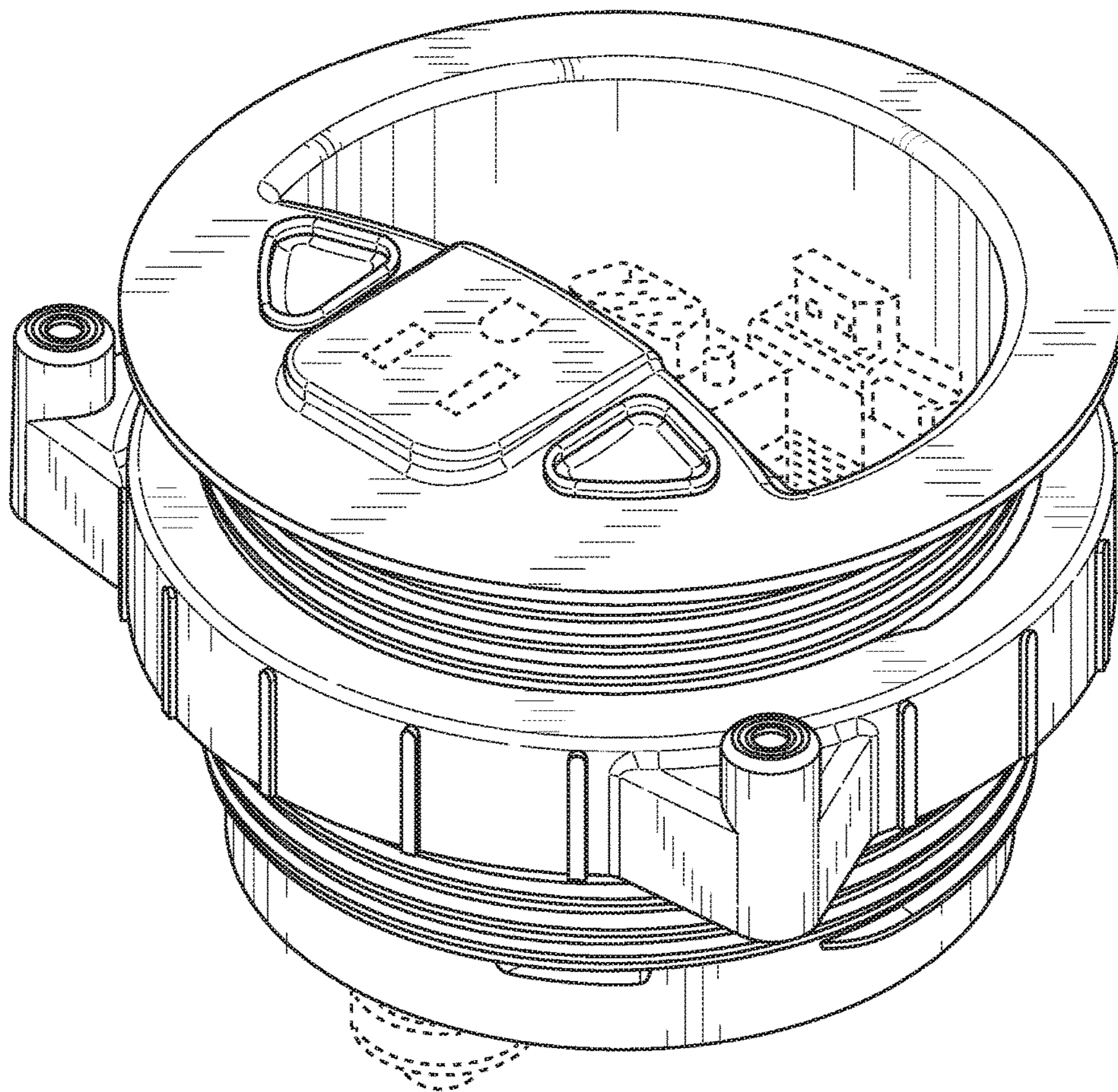


FIG. 2

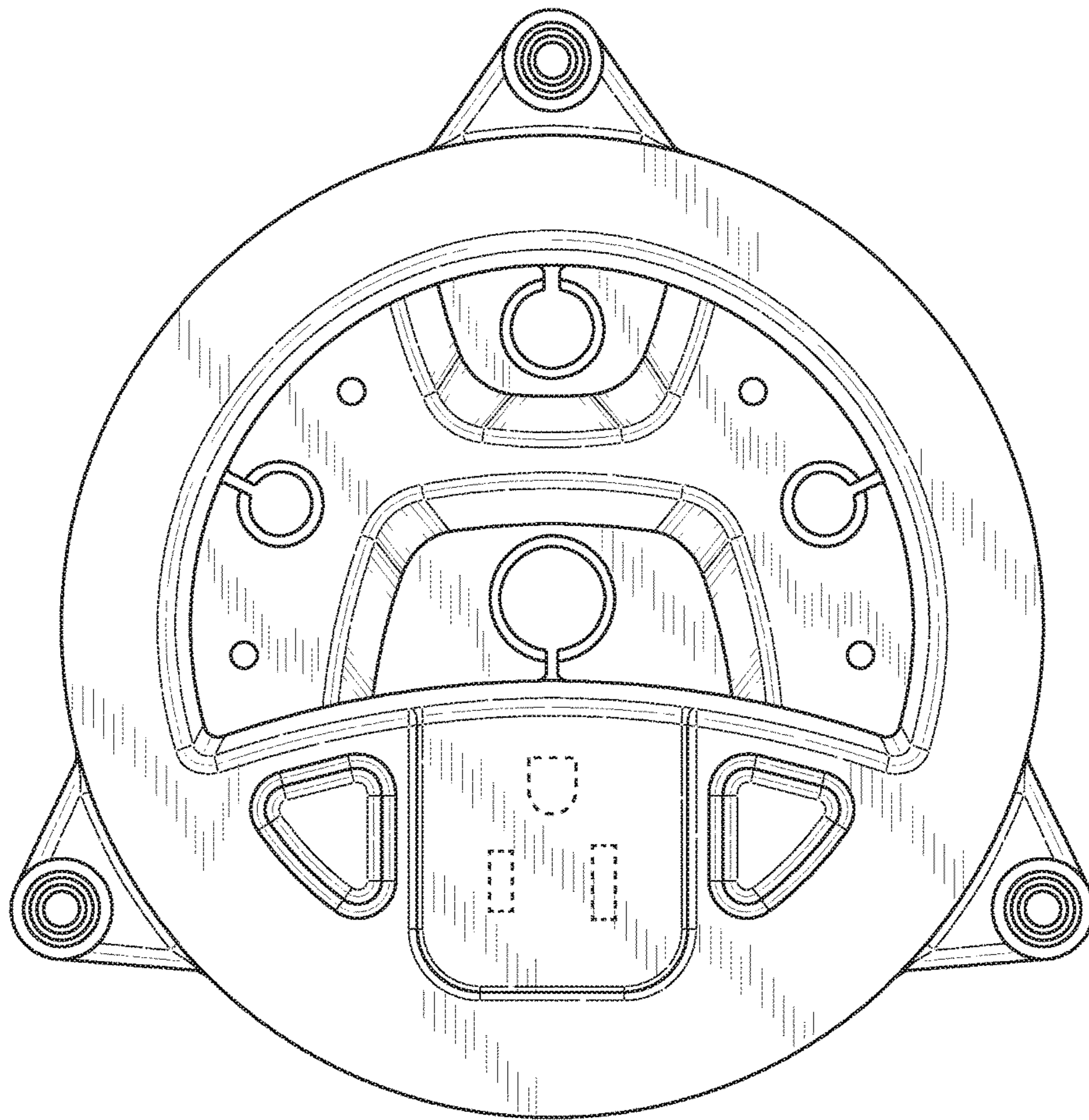


FIG. 3

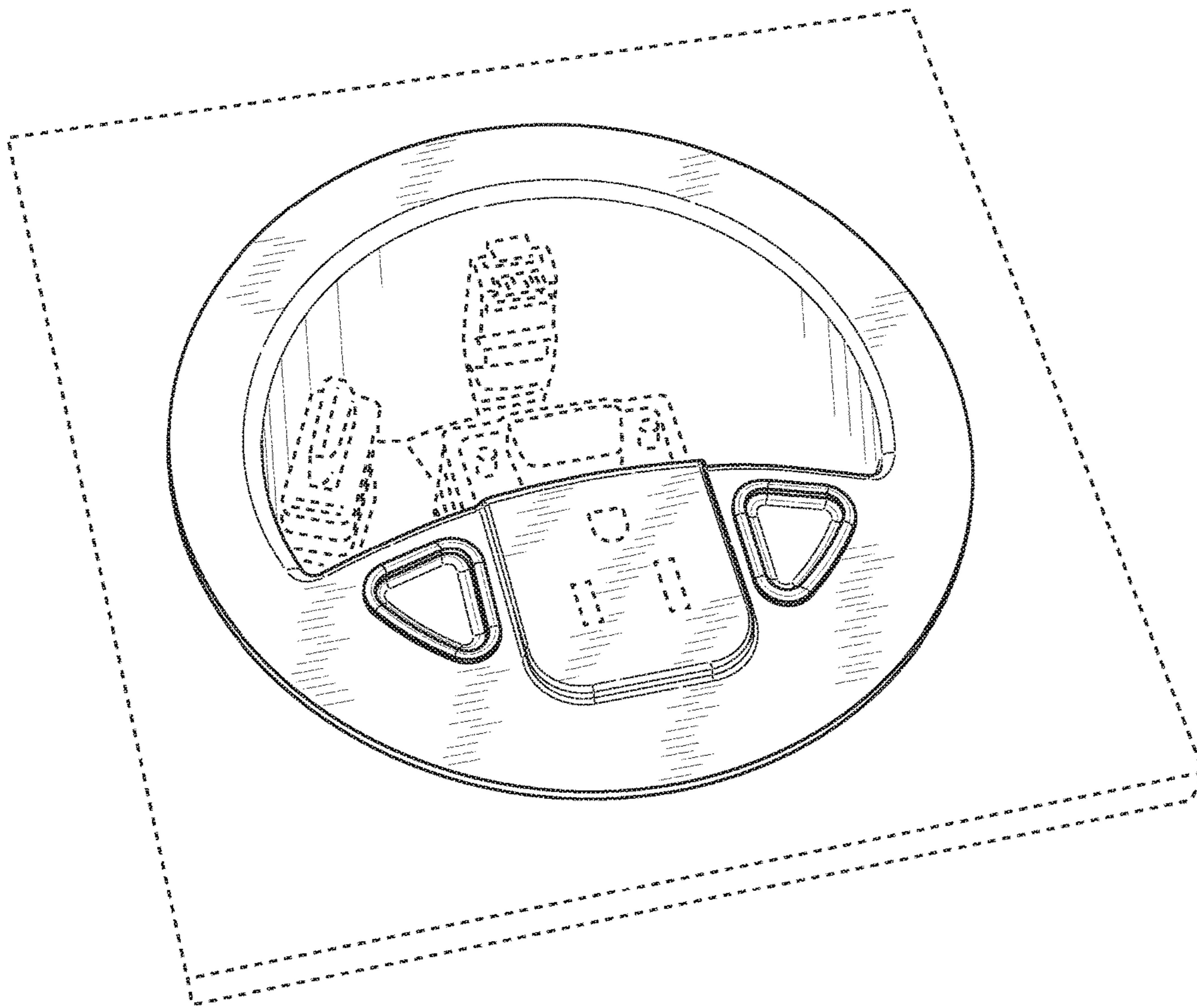


FIG. 4

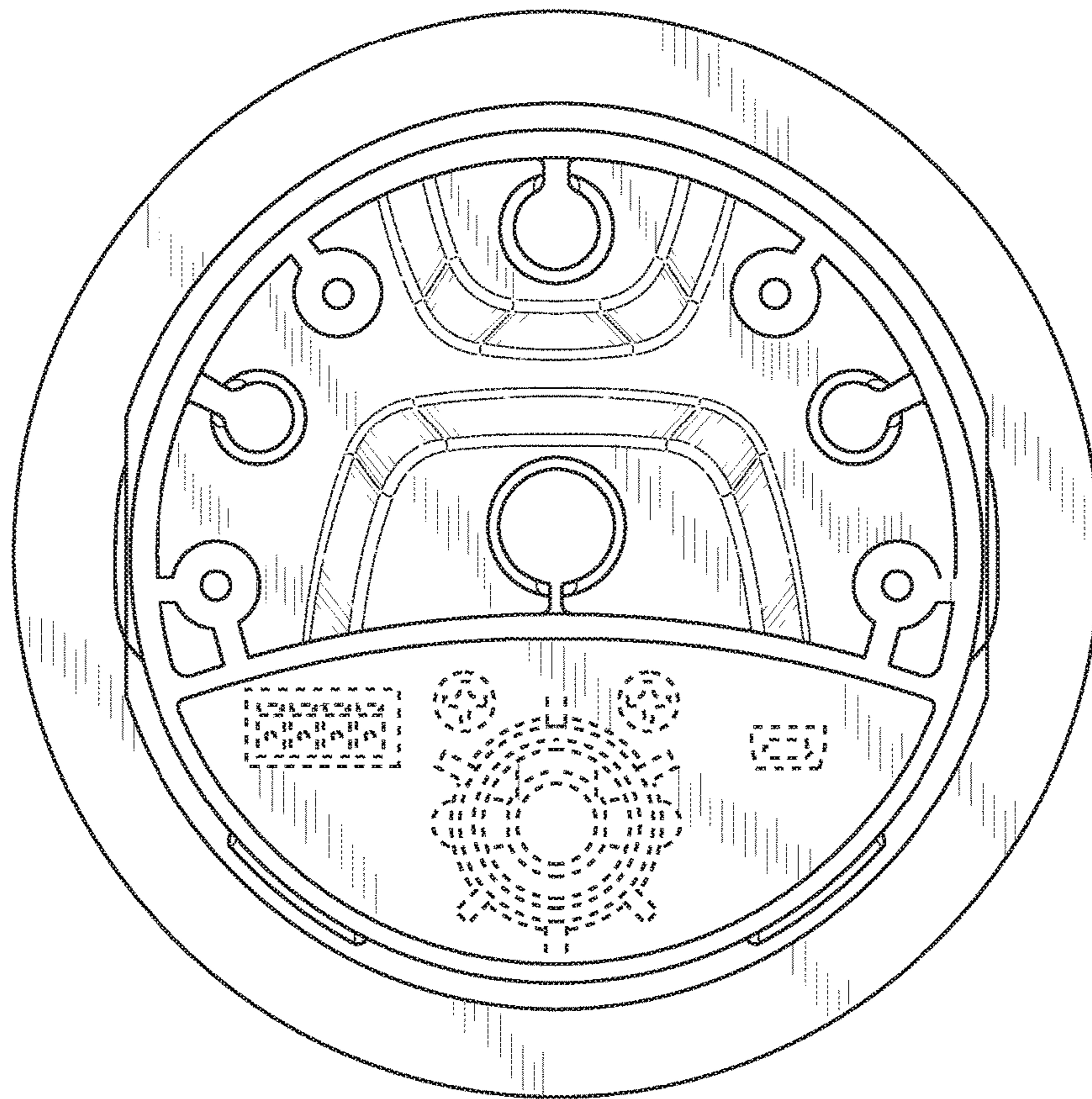


FIG. 5

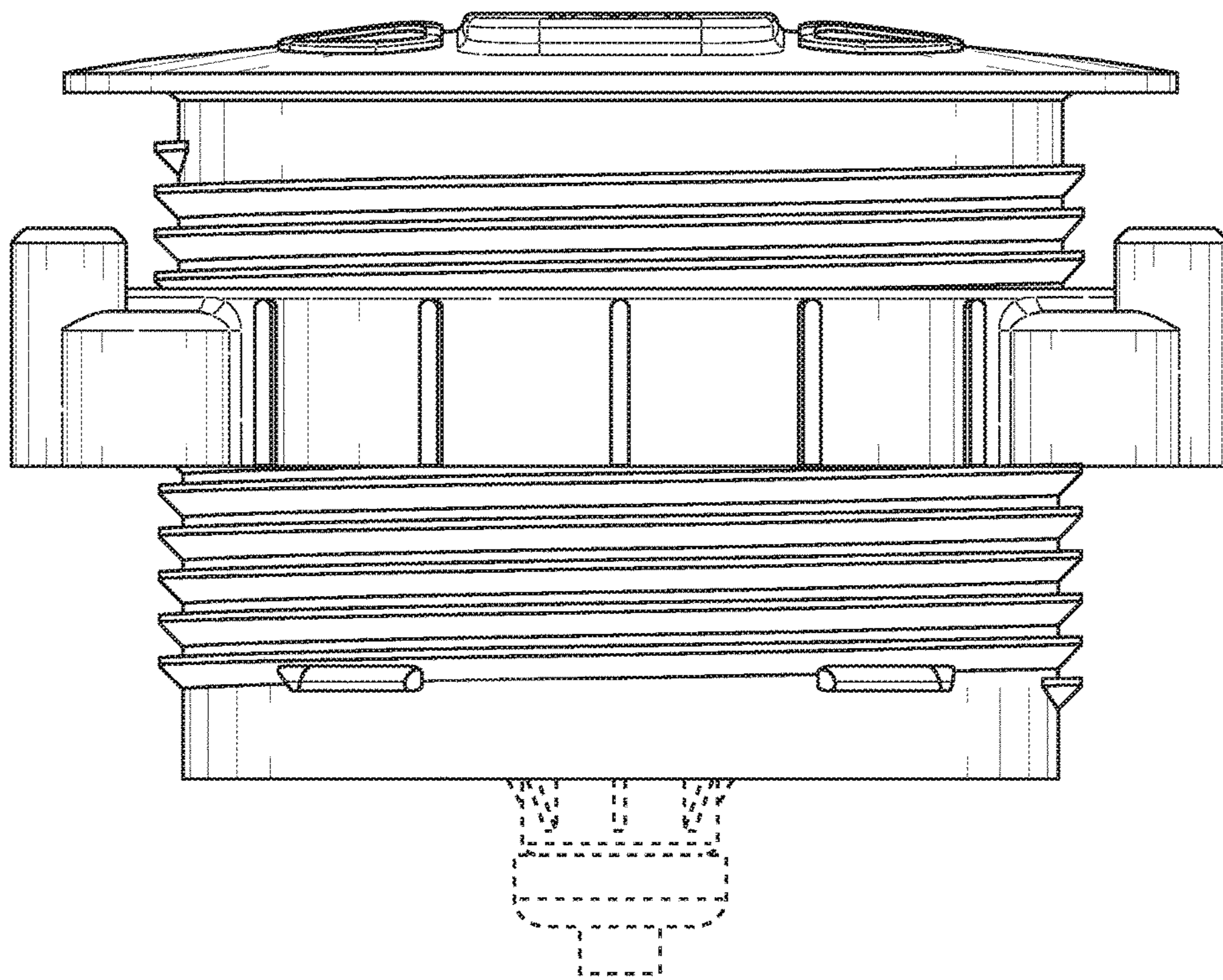


FIG. 6

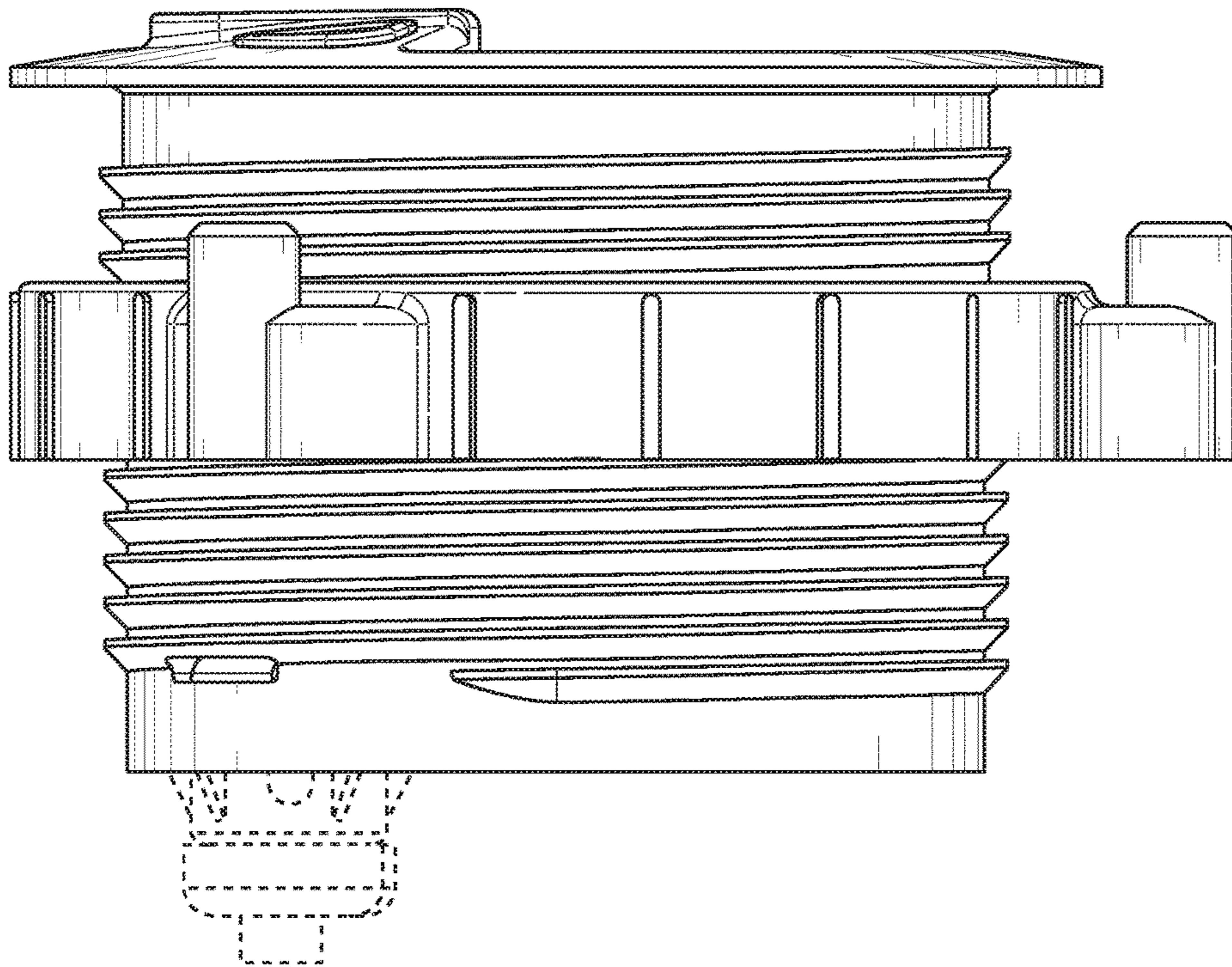


FIG. 7

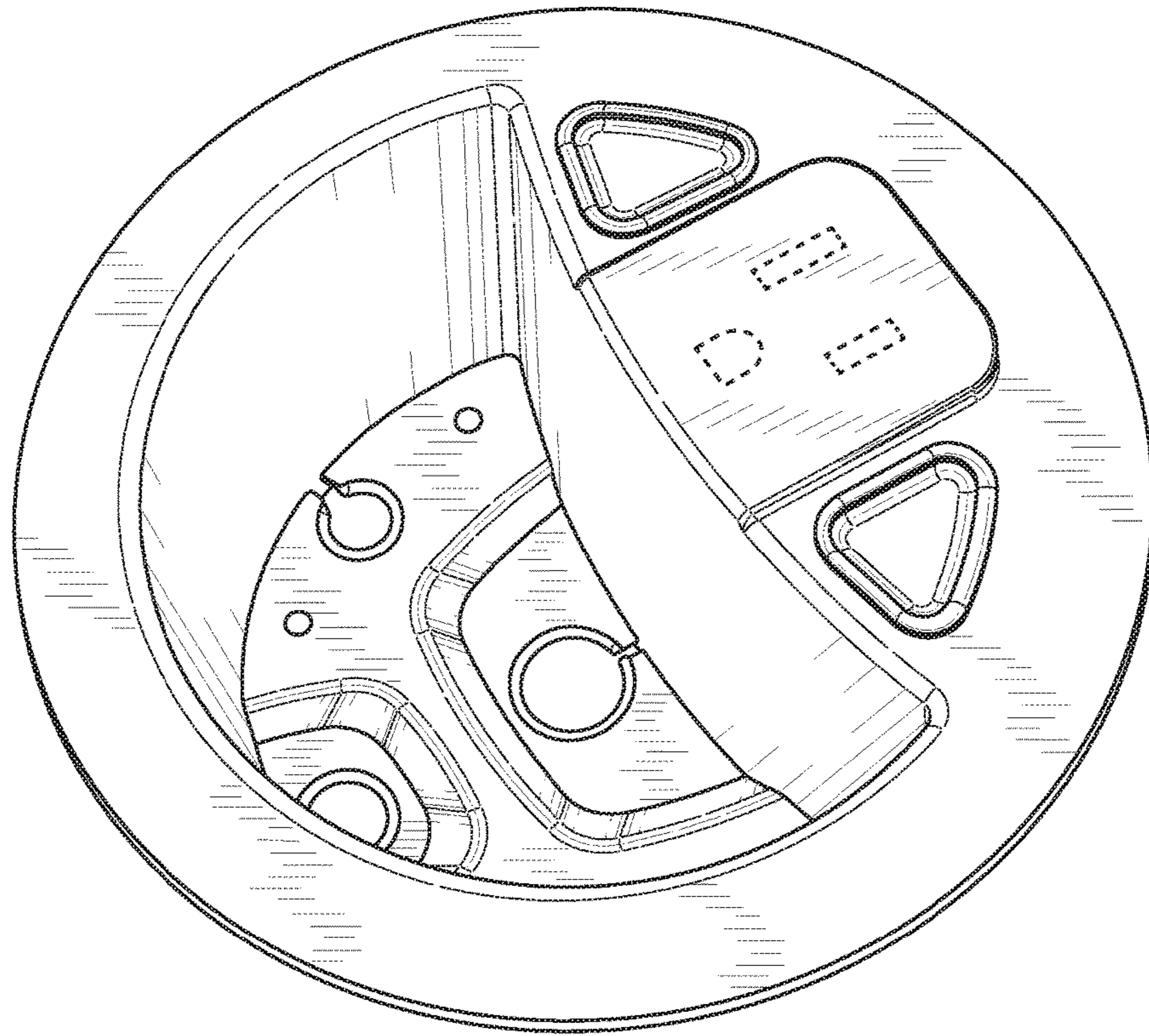


FIG. 8

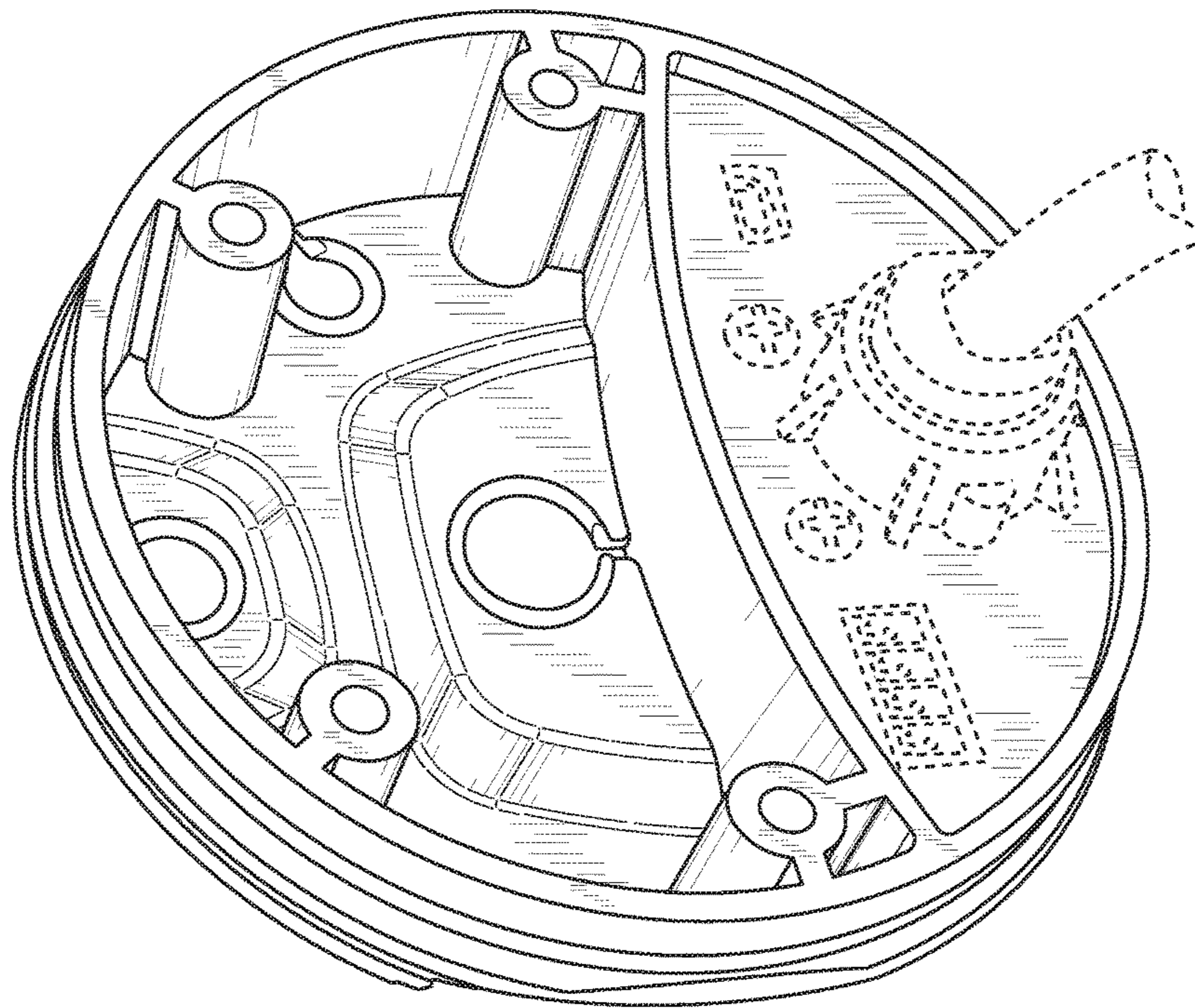


FIG. 9