



US00D788774S

(12) **United States Design Patent**
Seo et al.

(10) **Patent No.:** **US D788,774 S**
(45) **Date of Patent:** **** Jun. 6, 2017**

- (54) **TABLET COMPUTER**
- (71) Applicant: **LG ELECTRONICS INC.**, Seoul (KR)
- (72) Inventors: **Kiyeal Seo**, Seoul (KR); **Seunghoon Ryu**, Seoul (KR); **Joe Hyun**, Seoul (KR); **Junseop Lee**, Seoul (KR)
- (73) Assignee: **LG ELECTRONICS INC.**, Seoul (KR)
- (**) Term: **15 Years**
- (21) Appl. No.: **29/549,720**
- (22) Filed: **Dec. 28, 2015**
- (30) **Foreign Application Priority Data**
Jul. 7, 2015 (KR) 30-2015-0034238
- (51) **LOC (10) Cl.** **14-02**
- (52) **U.S. Cl.**
USPC **D14/345**
- (58) **Field of Classification Search**
USPC D14/138 AB, 138 AC, 138 AD, 341, D14/345-347, 315
CPC G06F 1/1613; G06F 1/1647; G06F 1/1641; G06F 3/04883; G06F 3/0486; G06F 3/04847; G06F 3/04845; G06F 3/04817; G06F 3/0484; H04M 1/0279; H04M 1/0281; H04M 1/0283
See application file for complete search history.

- (56) **References Cited**
U.S. PATENT DOCUMENTS
D585,444 S * 1/2009 Verschoor D14/345
D603,398 S * 11/2009 Watson D14/345
D709,493 S * 7/2014 Ahn D14/345
D746,285 S * 12/2015 Okabe D14/345
D749,573 S * 2/2016 Park D14/203.4

- D749,576 S * 2/2016 Park D14/203.4
- D754,657 S * 4/2016 Kim D14/345
- D767,526 S * 9/2016 Lee D14/138 AB
- D769,209 S * 10/2016 Byun D14/138 AB
- D770,446 S * 11/2016 Cho D14/341
- D772,225 S * 11/2016 Kim D14/341
- D778,866 S * 2/2017 Lee D14/138 AB
- D781,854 S * 3/2017 Park D14/203.4
- 2015/0055287 A1 * 2/2015 Seo G06F 1/1652
361/679.27
- 2016/0132074 A1 * 5/2016 Kim G06F 1/1652
715/769

(Continued)

Primary Examiner — Barbara Fox
(74) *Attorney, Agent, or Firm* — Birch, Stewart, Kolasch & Birch, LLP

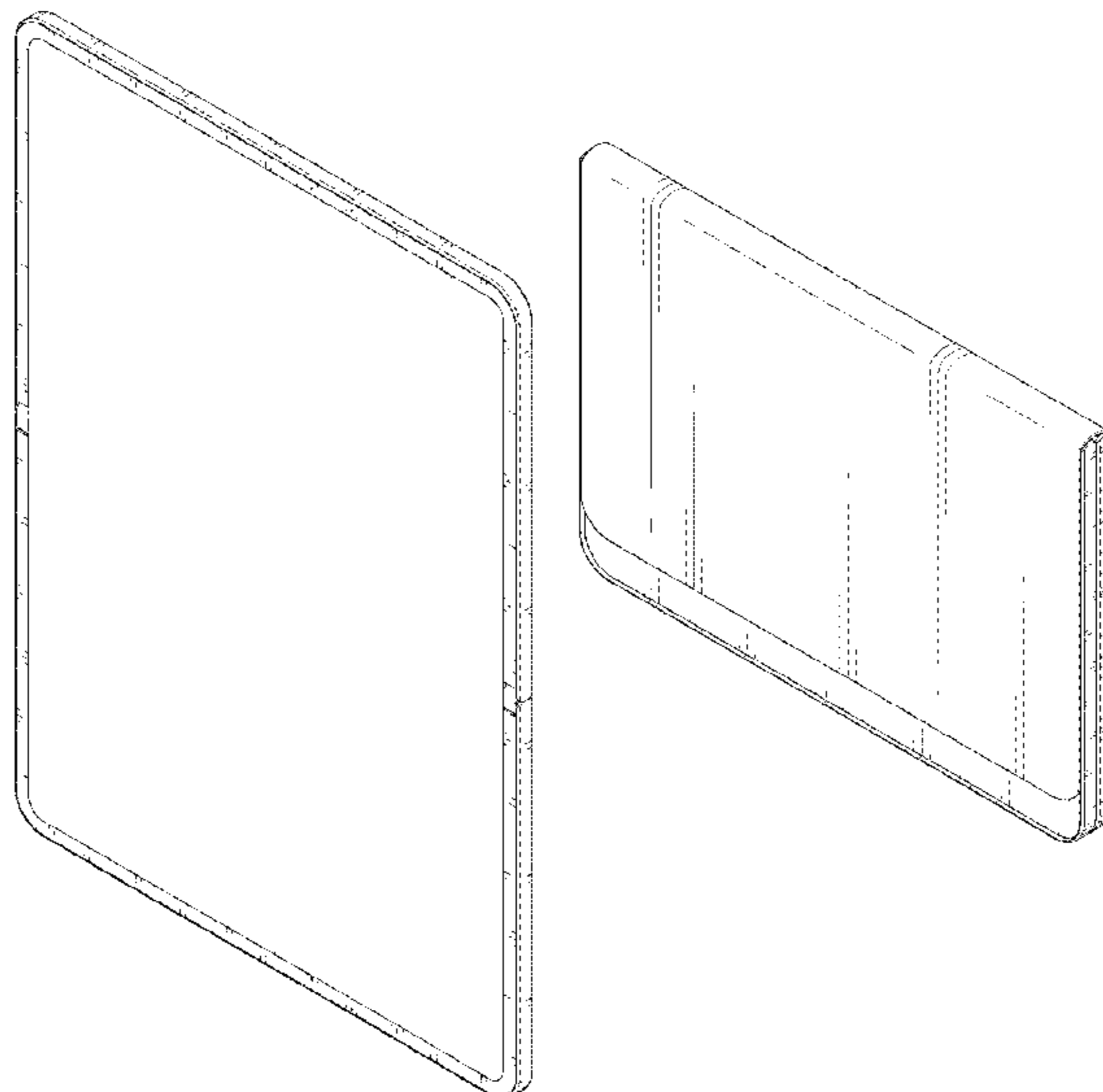
(57) **CLAIM**

The ornamental design for a tablet computer, as shown and described.

DESCRIPTION

FIG. 1 is a front, right side, perspective view of a tablet computer showing our new design;
FIG. 2 is a front view thereof;
FIG. 3 is a rear view thereof;
FIG. 4 is a left side view thereof;
FIG. 5 is a right side view thereof;
FIG. 6 is a top view thereof;
FIG. 7 is a bottom view thereof;
FIG. 8 is a front, right side, perspective view of the tablet computer shown in FIGS. 1-7, shown in a folded configuration;
FIG. 9 is a front view thereof;
FIG. 10 is a rear view thereof;
FIG. 11 is a left side view thereof;
FIG. 12 is a right side view thereof;
FIG. 13 is a top view thereof; and,
FIG. 14 is a bottom view thereof.

1 Claim, 9 Drawing Sheets



(56)

References Cited

U.S. PATENT DOCUMENTS

2016/0195901 A1* 7/2016 Kauhaniemi G06F 1/1681
361/679.27
2016/0205792 A1* 7/2016 Ahn H05K 5/0017
40/779

* cited by examiner

FIG. 1

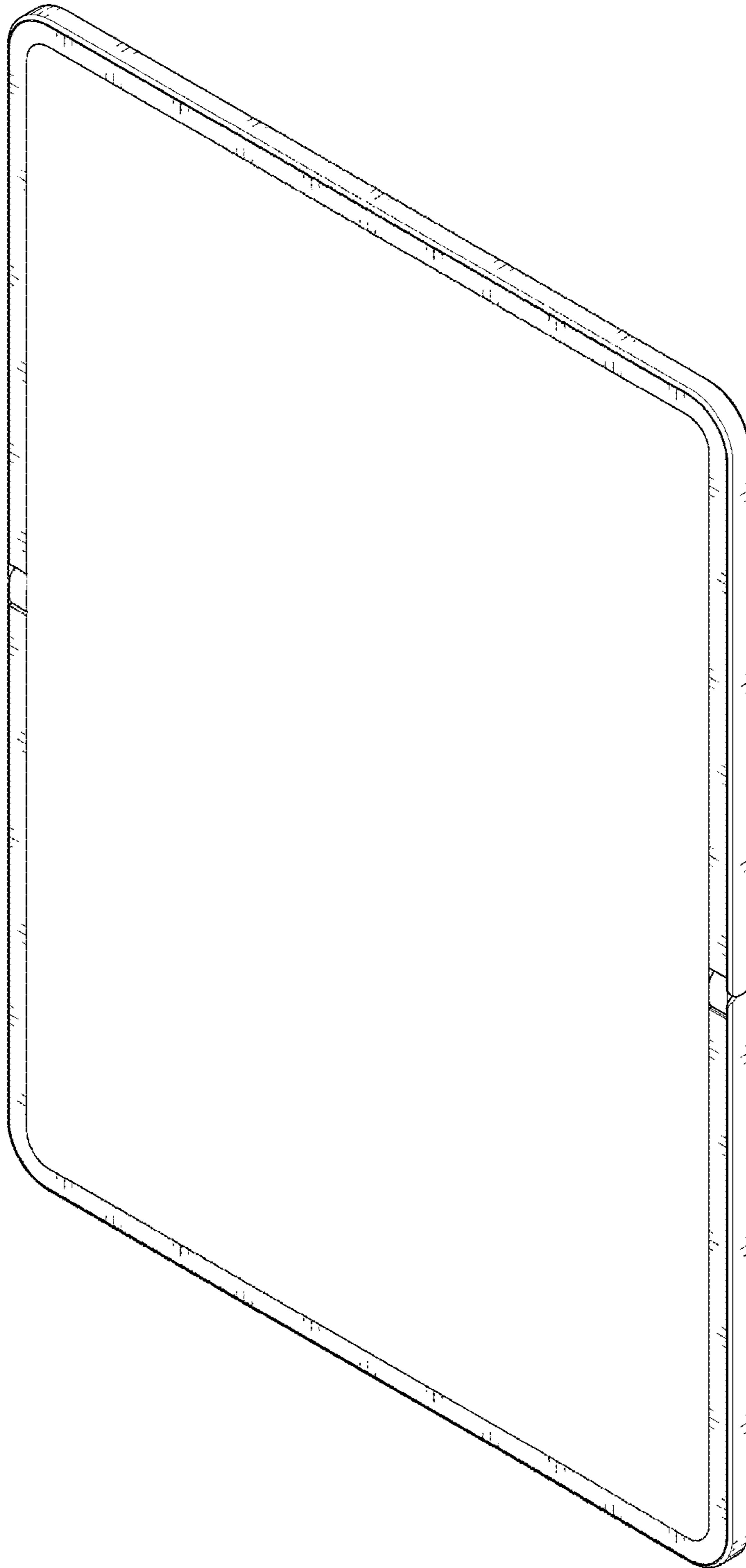


FIG. 2

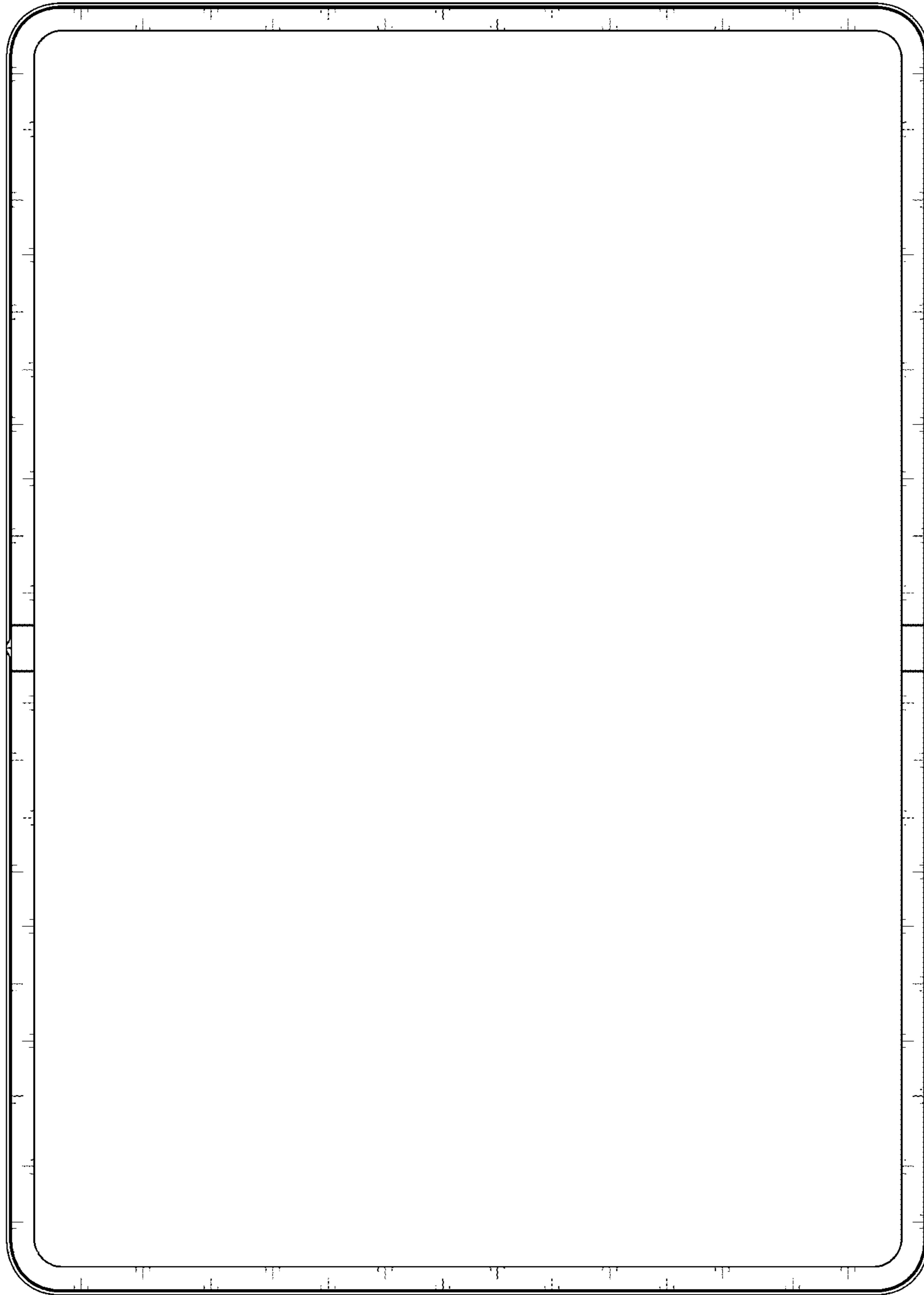


FIG. 3

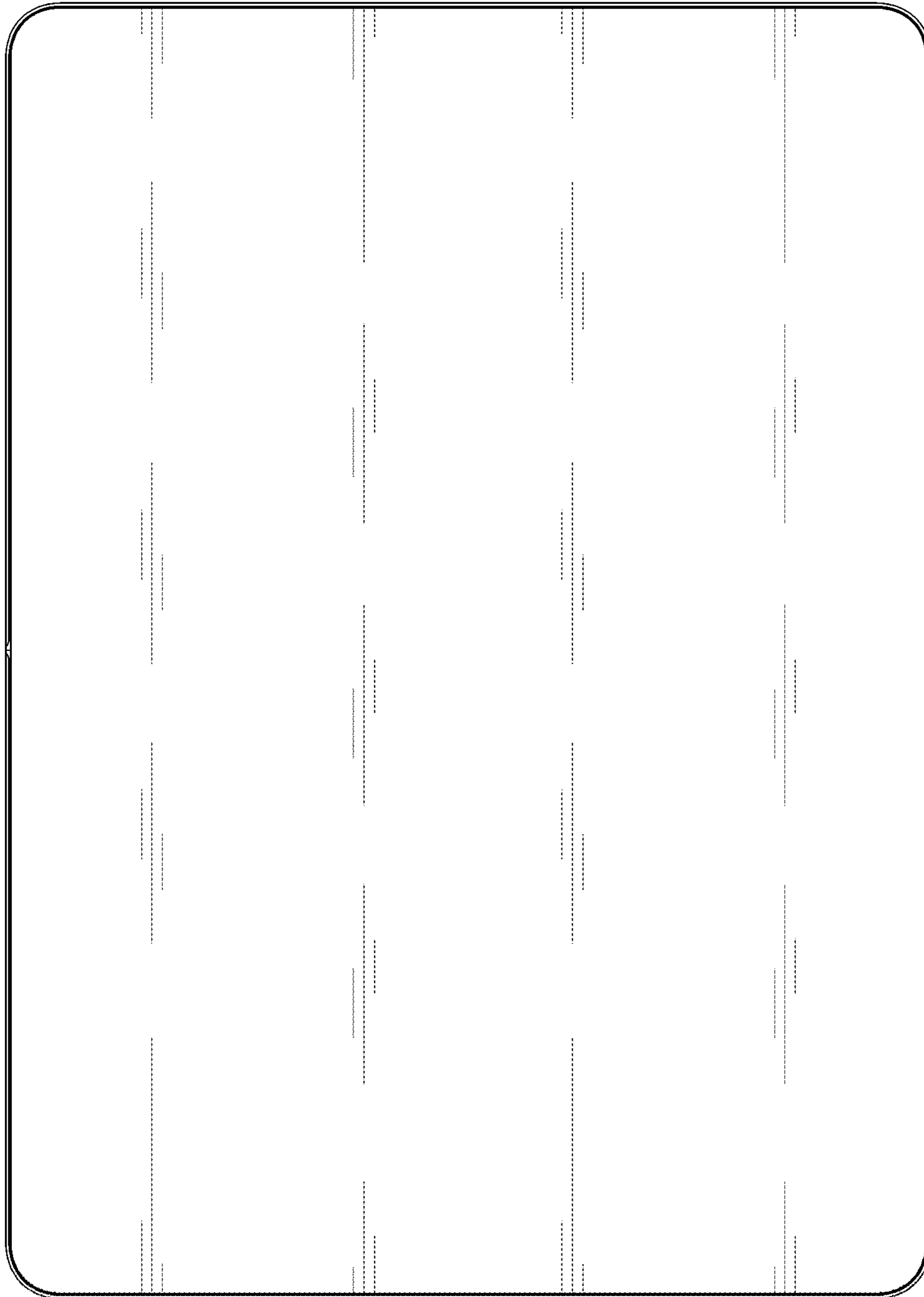


FIG. 4



FIG. 5



FIG. 6



FIG. 7

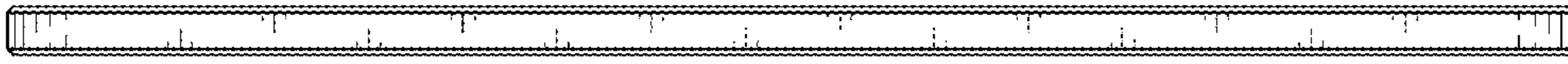


FIG. 8

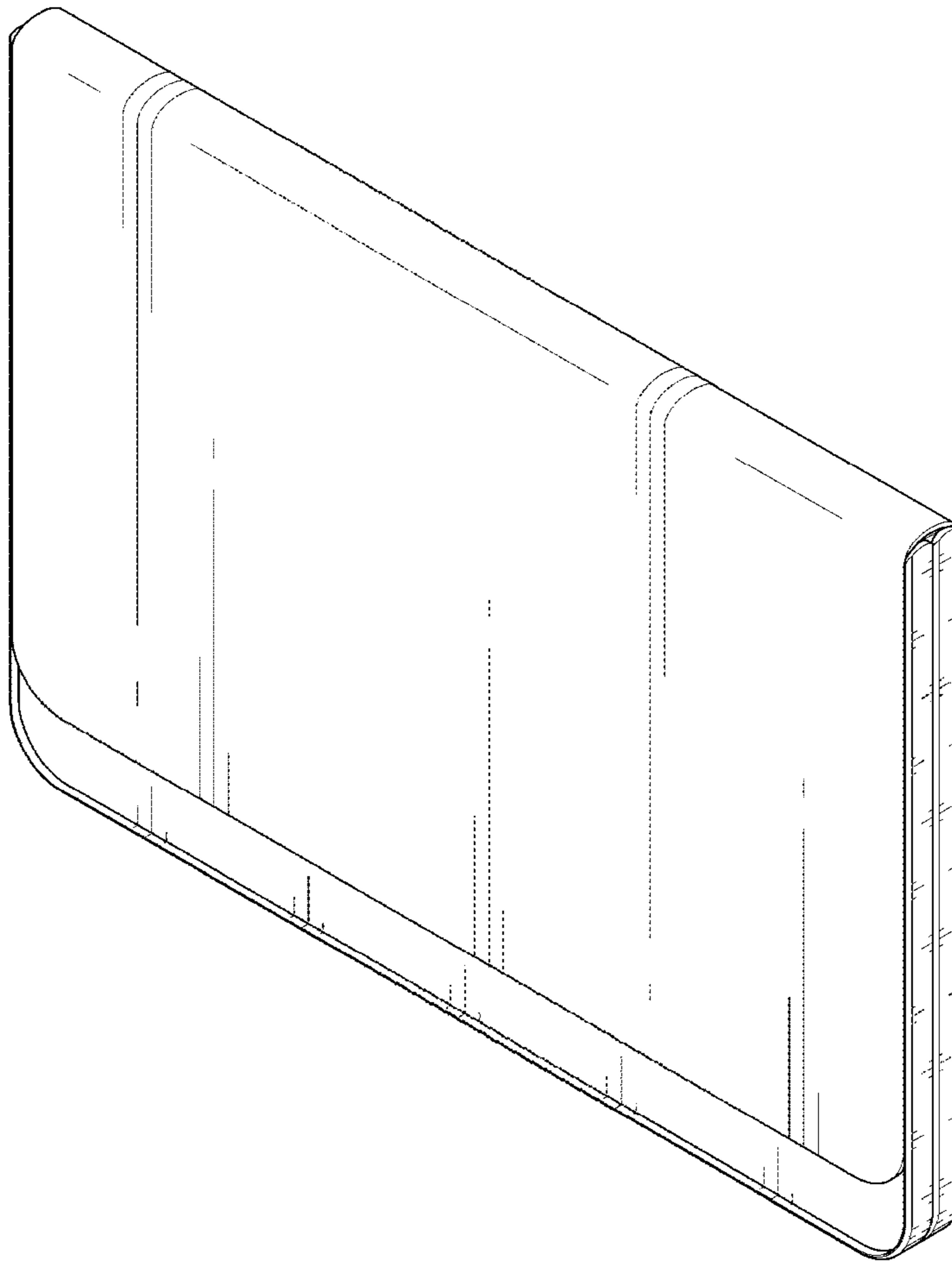


FIG. 9

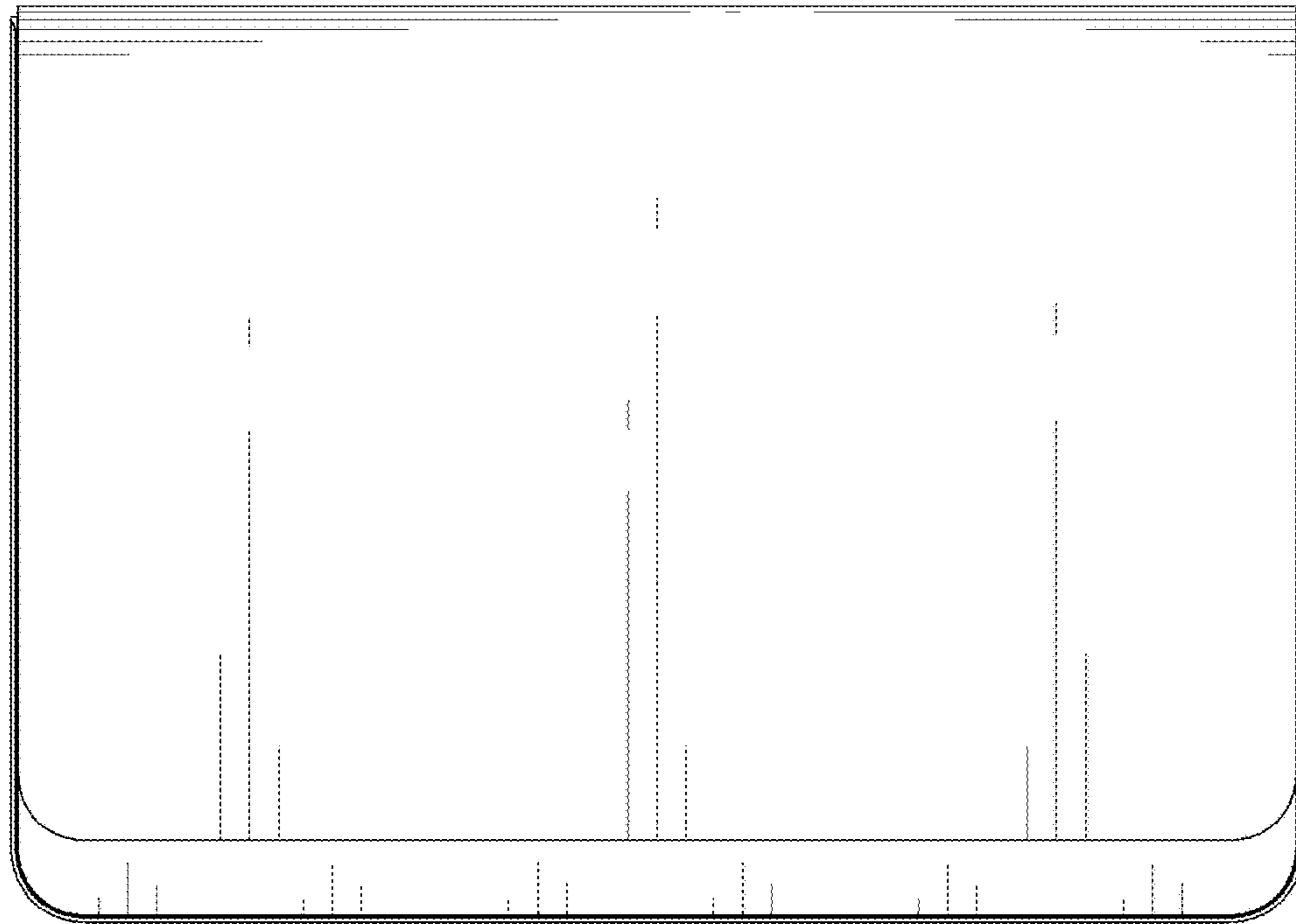


FIG. 10

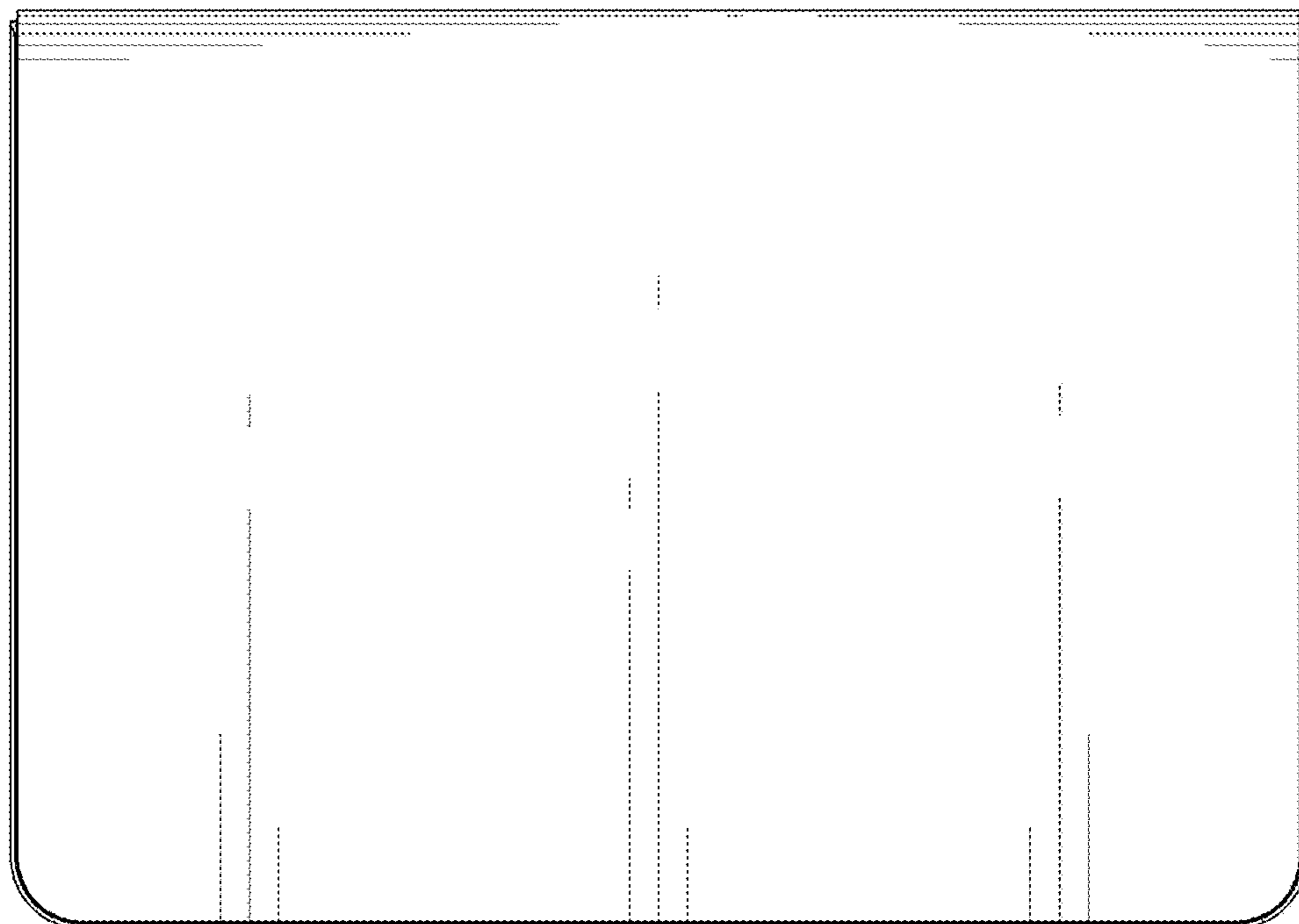


FIG. 11

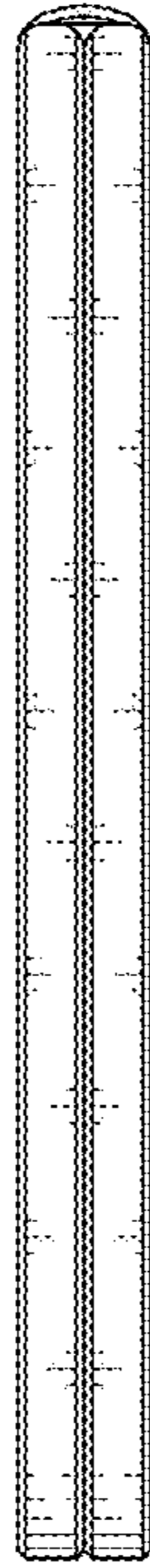


FIG. 12



FIG. 13



FIG. 14

