



US00D788772S

(12) **United States Design Patent**
Kim et al.

(10) **Patent No.:** **US D788,772 S**
(45) **Date of Patent:** **** Jun. 6, 2017**

(54) **ELECTRONIC DEVICE**

FOREIGN PATENT DOCUMENTS

(71) Applicant: **Samsung Electronics Co., Ltd.**,
Suwon-si (KR)

EM 001266308-0001 8/2011
EM 002268995-0001 7/2013

(Continued)

(72) Inventors: **Sung-Kwon Kim**, Seoul (KR);
Kwan-Eui Hong, Yongin-si (KR);
Sang-Min Hyun, Seoul (KR)

Primary Examiner — Garth Rademaker

Assistant Examiner — Katie Stofko Mroczka

(73) Assignee: **SAMSUNG ELECTRONICS CO., LTD.**,
Suwon-si (KR)

(74) *Attorney, Agent, or Firm* — McAndrews Held &
Malloy, Ltd.

(**) Term: **15 Years**

(21) Appl. No.: **29/541,260**

(57) **CLAIM**

(22) Filed: **Oct. 1, 2015**

The ornamental design for an electronic device, as shown
and described.

(30) **Foreign Application Priority Data**

Apr. 15, 2015 (KR) 30-2015-0019142

(51) **LOC (10) Cl.** **14-02**

(52) **U.S. Cl.**
USPC **D14/341**

(58) **Field of Classification Search**

USPC D14/341-347, 137, 138 R, 138 AA,
D14/138 C, 138 G, 496, 203.1, 203.3,
D14/203.4, 203.7, 129, 130, 147, 218,
D14/248, 389, 388, 426, 420, 440;
D10/65, 104.1; D18/6, 7; D21/324, 329,
D21/330; 455/556.1, 556.2, 566, 575.1,
455/90.3; 379/433.04, 433.01, 433.06,
379/916; 345/173, 901, 905;
361/679.26, 670.3, 679.55, 679.56
CPC H04M 1/00; H04M 11/066; H04M 1/2478;
H04M 1/72519; H04M 2201/38; H04M
2250/22; G06F 15/00

See application file for complete search history.

DESCRIPTION

FIG. 1 is a front perspective view of our new design for an
electronic device in a first folded position;
FIG. 2 is a front view thereof;
FIG. 3 is a rear view thereof;
FIG. 4 is a left-side elevation view thereof;
FIG. 5 is a right-side elevation view thereof;
FIG. 6 is a top plan view thereof;
FIG. 7 is a bottom plan view thereof; and
FIG. 8 is a rear perspective view of the electronic device in
an unfolded position;
FIG. 9 is a top plan view of the electronic device in a second
folded position;
FIG. 10 is a top plan view of the electronic device in a third
folded position; and,
FIG. 11 is a top plan view of the electronic device in a fourth
folded position.

The evenly-spaced dashed broken lines in the drawings
illustrate portions of the electronic device that form no part
of the claimed design. The dot-dash broken lines in the
drawings illustrate a boundary line that forms no part of the
claimed design.

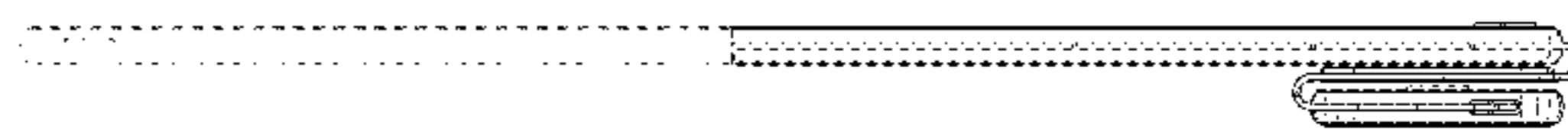
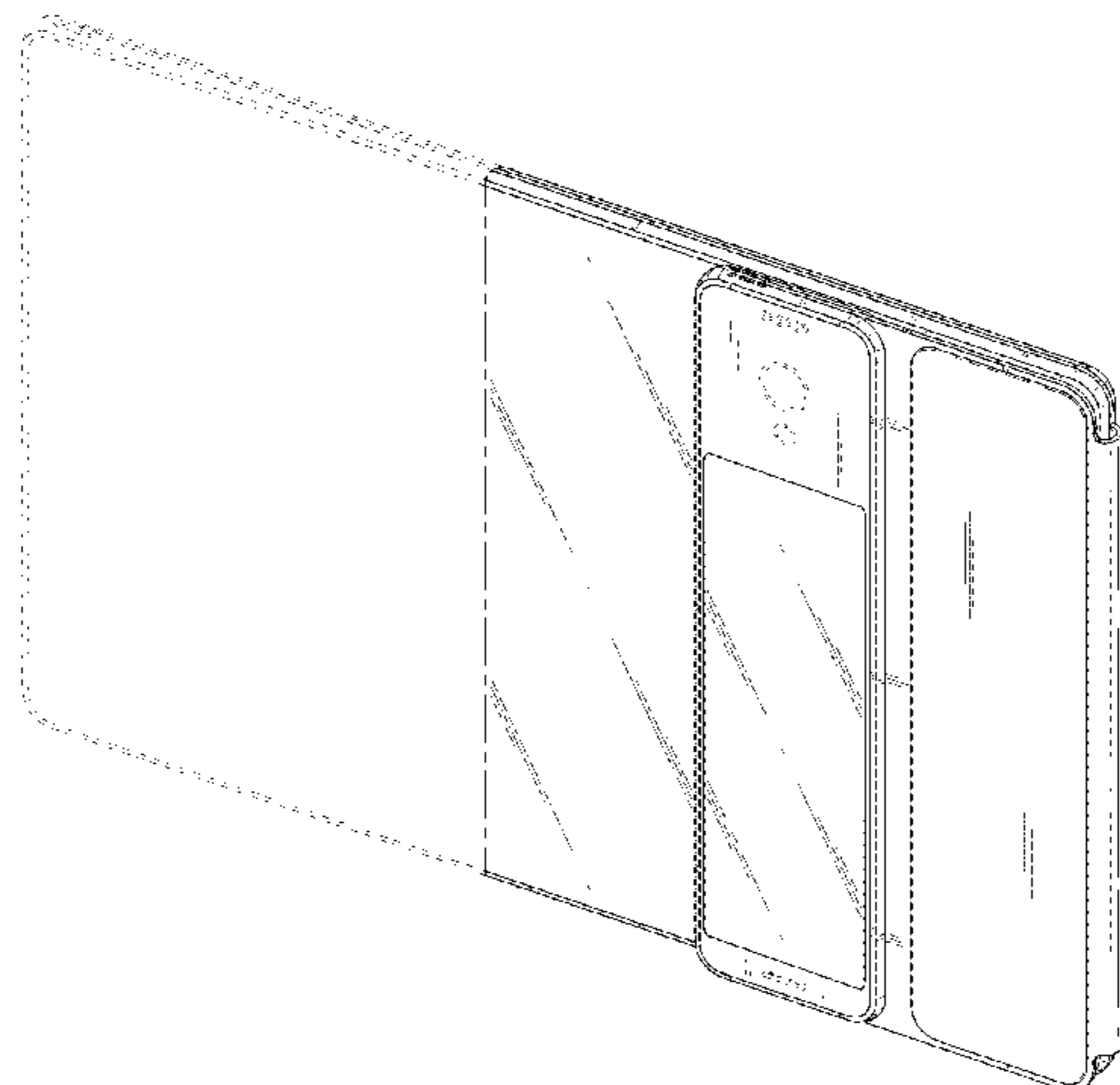
(56) **References Cited**

U.S. PATENT DOCUMENTS

D356,120 S * 3/1995 Allen D21/335
D543,183 S * 5/2007 Cho D14/138 AA

(Continued)

1 Claim, 7 Drawing Sheets



(56)

References Cited

U.S. PATENT DOCUMENTS

D658,186	S	*	4/2012	Akana	D14/440
D713,848	S	*	9/2014	Akana	D14/440
D726,731	S	*	4/2015	Kim	D14/440
D749,571	S	*	2/2016	Park	D14/203.4
D749,573	S	*	2/2016	Park	D14/203.4
D750,632	S	*	3/2016	Diebel	D14/440
D755,766	S	*	5/2016	Kim	D14/250
D756,341	S	*	5/2016	Kim	D14/250
D761,267	S	*	7/2016	Chen	D14/345
D763,839	S	*	8/2016	Shin	D14/250
D765,086	S	*	8/2016	Lee	D14/440
D765,630	S	*	9/2016	Harata	D14/250
2013/0233762	A1	*	9/2013	Balaji	B65D 25/00 206/736

FOREIGN PATENT DOCUMENTS

JP	1165404	2/2003
KR	300510567	11/2008

* cited by examiner

FIG. 1

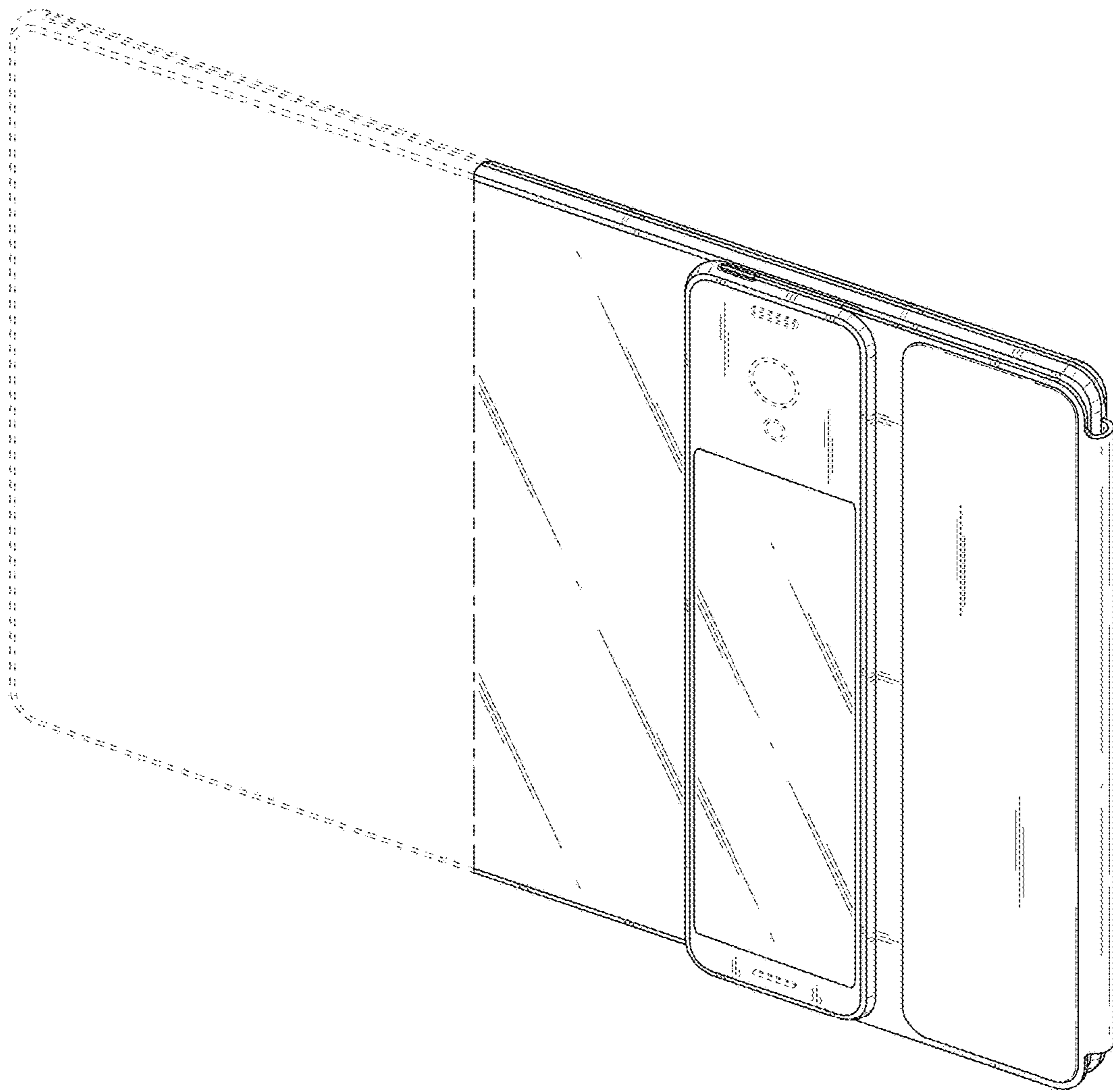


FIG. 2

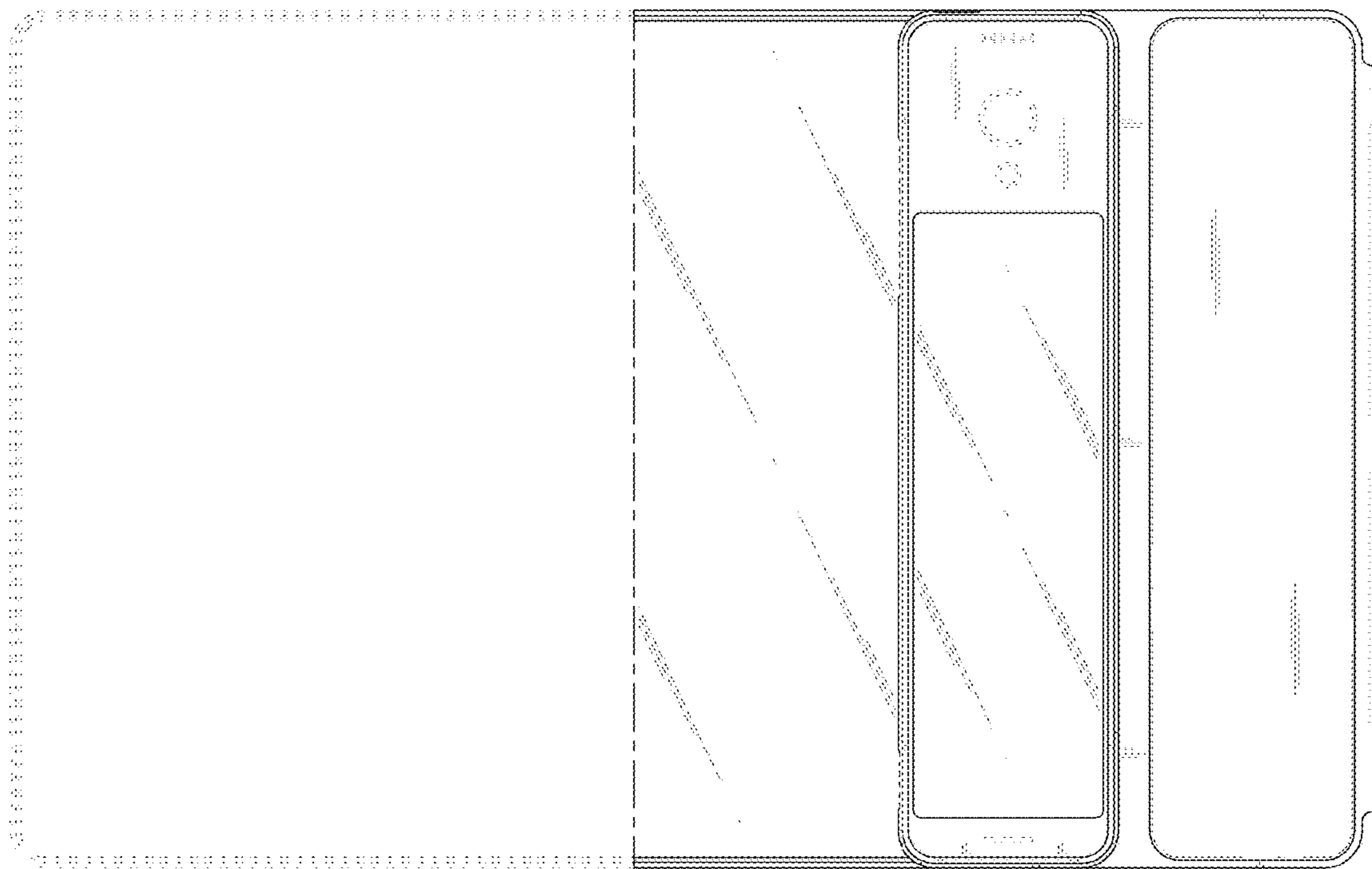


FIG. 3

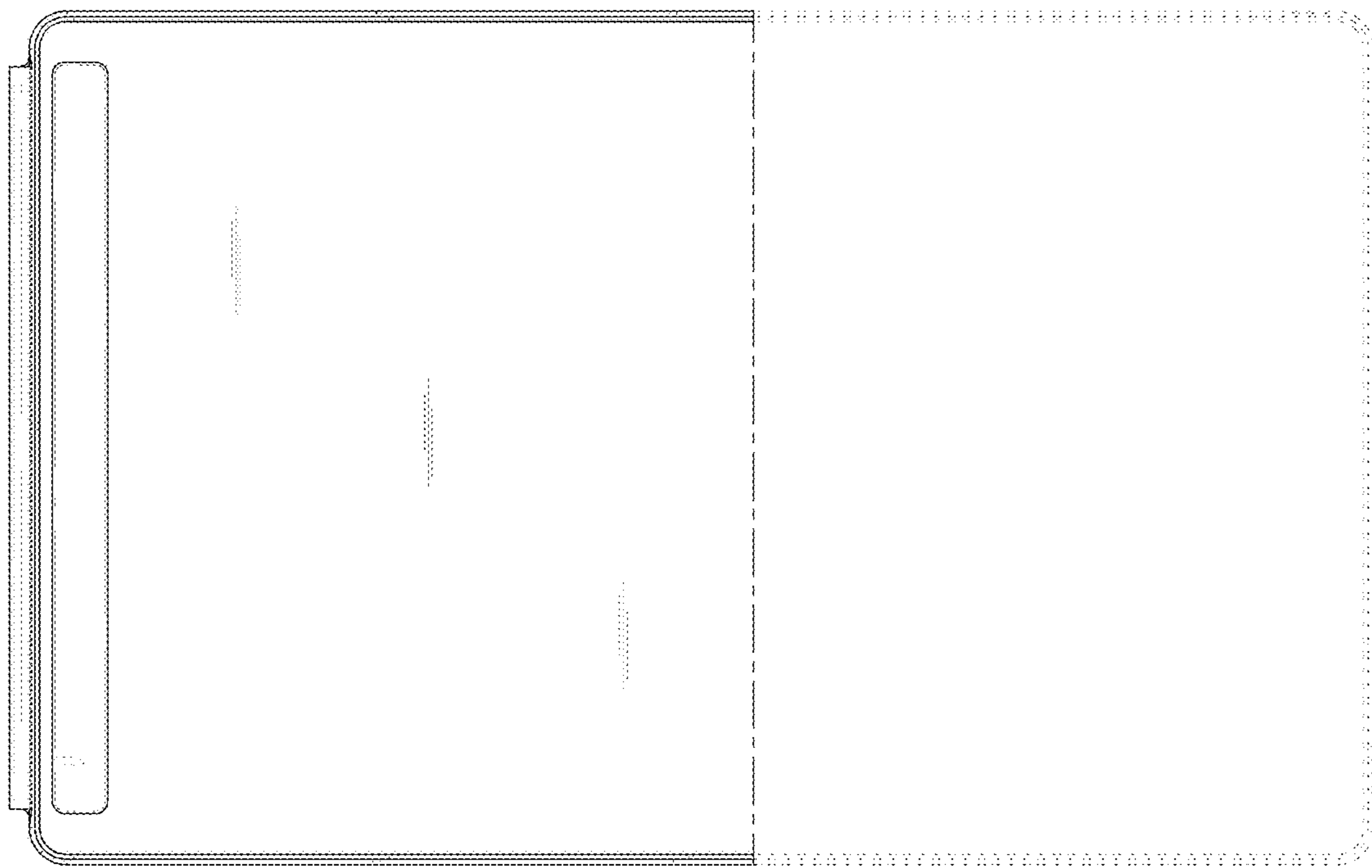


FIG. 4



FIG. 5

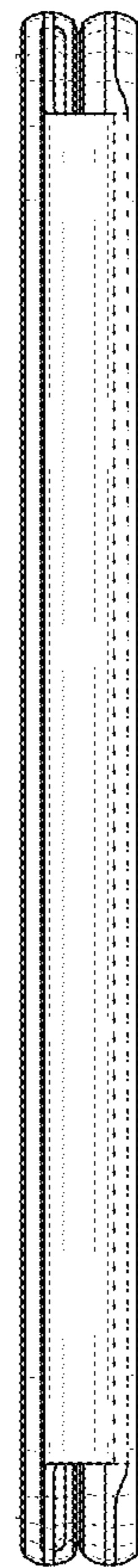


FIG. 6

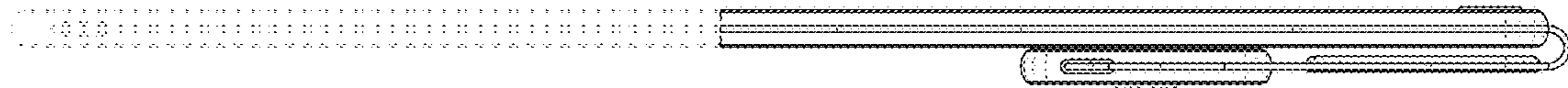


FIG. 7



FIG. 8

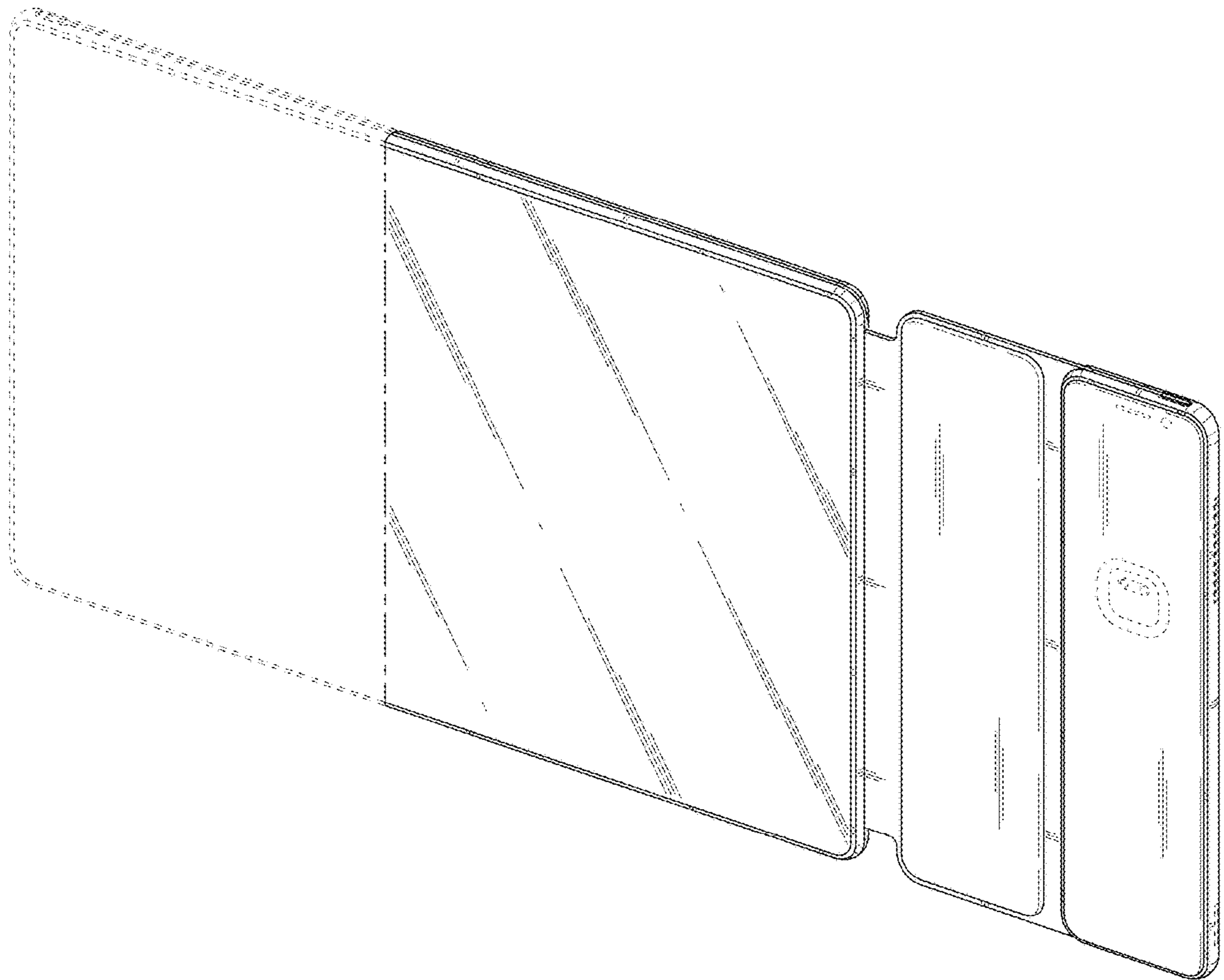


FIG. 9



FIG. 10

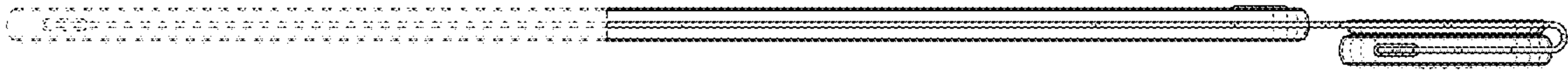


FIG. 11

