



US00D788768S

(12) **United States Design Patent**
Hsieh et al.

(10) **Patent No.:** **US D788,768 S**
(45) **Date of Patent:** **** Jun. 6, 2017**

(54) **NOTEBOOK COMPUTER**

H03K 17/94; G09G 5/00; F16M 11/10;
H05K 5/00; H04M 1/0237

(71) Applicant: **Acer Incorporated**, New Taipei (TW)

See application file for complete search history.

(72) Inventors: **Chien-Yu Hsieh**, New Taipei (TW);
Hsueh-Chih Peng, New Taipei (TW);
Chun-Chieh Chiu, New Taipei (TW);
Ju-Hsien Weng, New Taipei (TW);
Tzu-Hsiang Chang, New Taipei (TW);
Te-Ho Chen, New Taipei (TW);
Hsing-Yi Kao, New Taipei (TW);
Wei-Yi Li, New Taipei (TW)

(56) **References Cited**

U.S. PATENT DOCUMENTS

6,067,224 A *	5/2000	Nobuchi	G06F 1/1688
			361/679.21
D698,349 S *	1/2014	Sun	D14/315
D722,602 S *	2/2015	Schoenith	D14/440
2010/0246106 A1 *	9/2010	Chiu	G06F 1/1688
			361/679.01

(73) Assignee: **Acer Incorporated**, New Taipei (TW)

* cited by examiner

(**) Term: **15 Years**

Primary Examiner — Freda S Nunn

(21) Appl. No.: **29/551,207**

(74) *Attorney, Agent, or Firm* — Jianq Chyun IP Office

(22) Filed: **Jan. 11, 2016**

(57) **CLAIM**

The ornamental design for a notebook computer, as shown and described.

(30) **Foreign Application Priority Data**

Jul. 13, 2015 (TW) 104303728

DESCRIPTION

(51) **LOC (10) Cl.** **14-02**

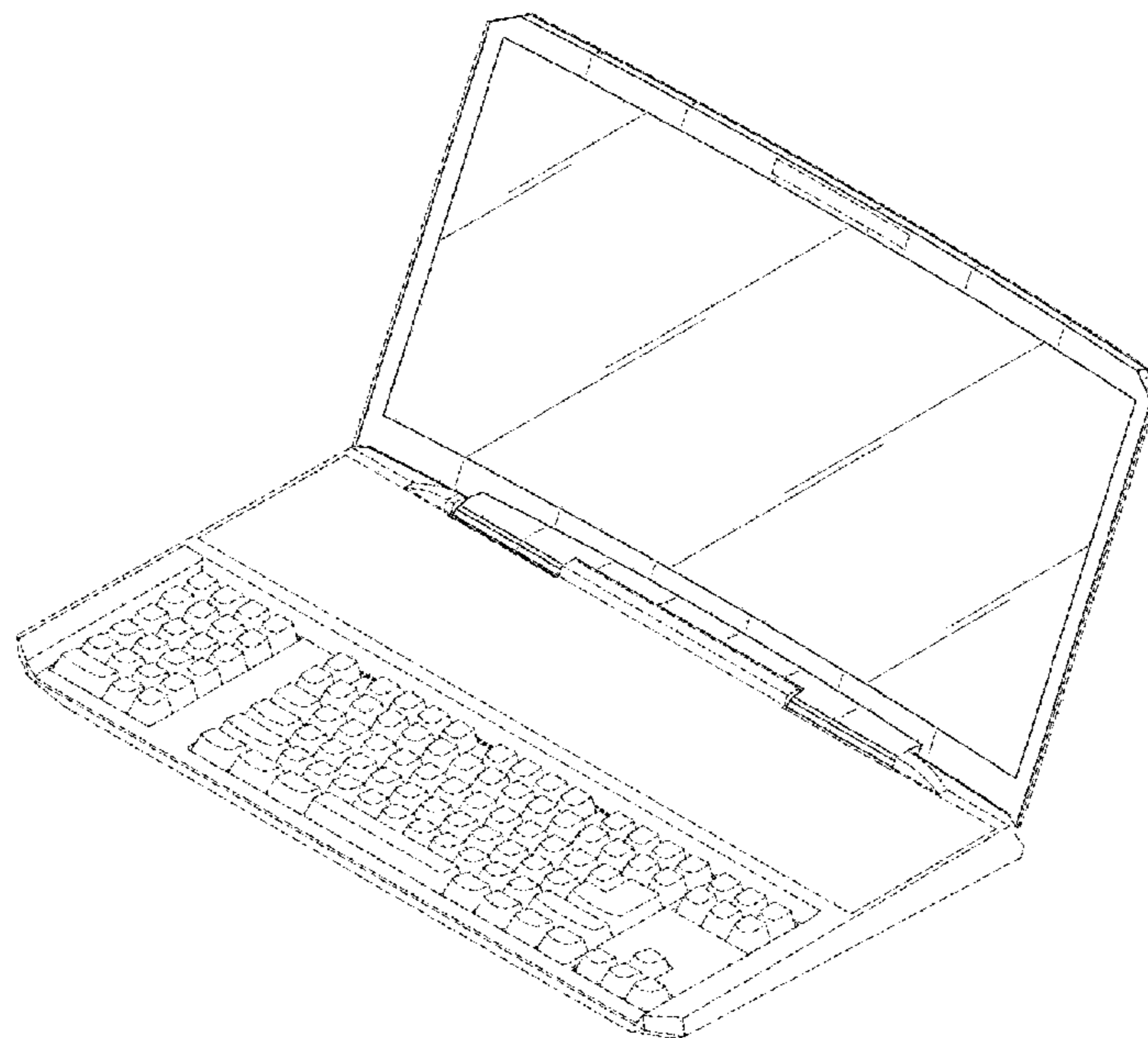
(52) **U.S. Cl.**
USPC **D14/315**

(58) **Field of Classification Search**
USPC D14/315-327; D18/1, 2, 7, 11;
235/145 A, 145 R; 341/22, 23; 345/104,
345/156, 168, 169, 173; 361/679.08,
361/679.09, 679.11, 679.26, 679.27
CPC G06F 1/16; G06F 1/1616; G06F 1/1626;
G06F 1/1632; G06F 1/1613; G06F
1/1601; G06F 1/1618; G06F 1/162; G06F
1/166; G06F 1/1654; G06F 1/1681; G06F
1/1637; G06F 1/1688; G06F 1/1656;
H01R 35/02; H03M 11/00; G09B 13/04;

FIG. 1 is a perspective view of a notebook computer showing our new design;
FIG. 2 is a front view thereof;
FIG. 3 is a rear view thereof;
FIG. 4 is a left side view thereof;
FIG. 5 is a right side view thereof;
FIG. 6 is a top view thereof; and,
FIG. 7 is a bottom view thereof.

The broken line showing of portions of the notebook computer is for the purpose of illustrating unclaimed portions of the notebook computer and forms no part of the claimed design.

1 Claim, 7 Drawing Sheets



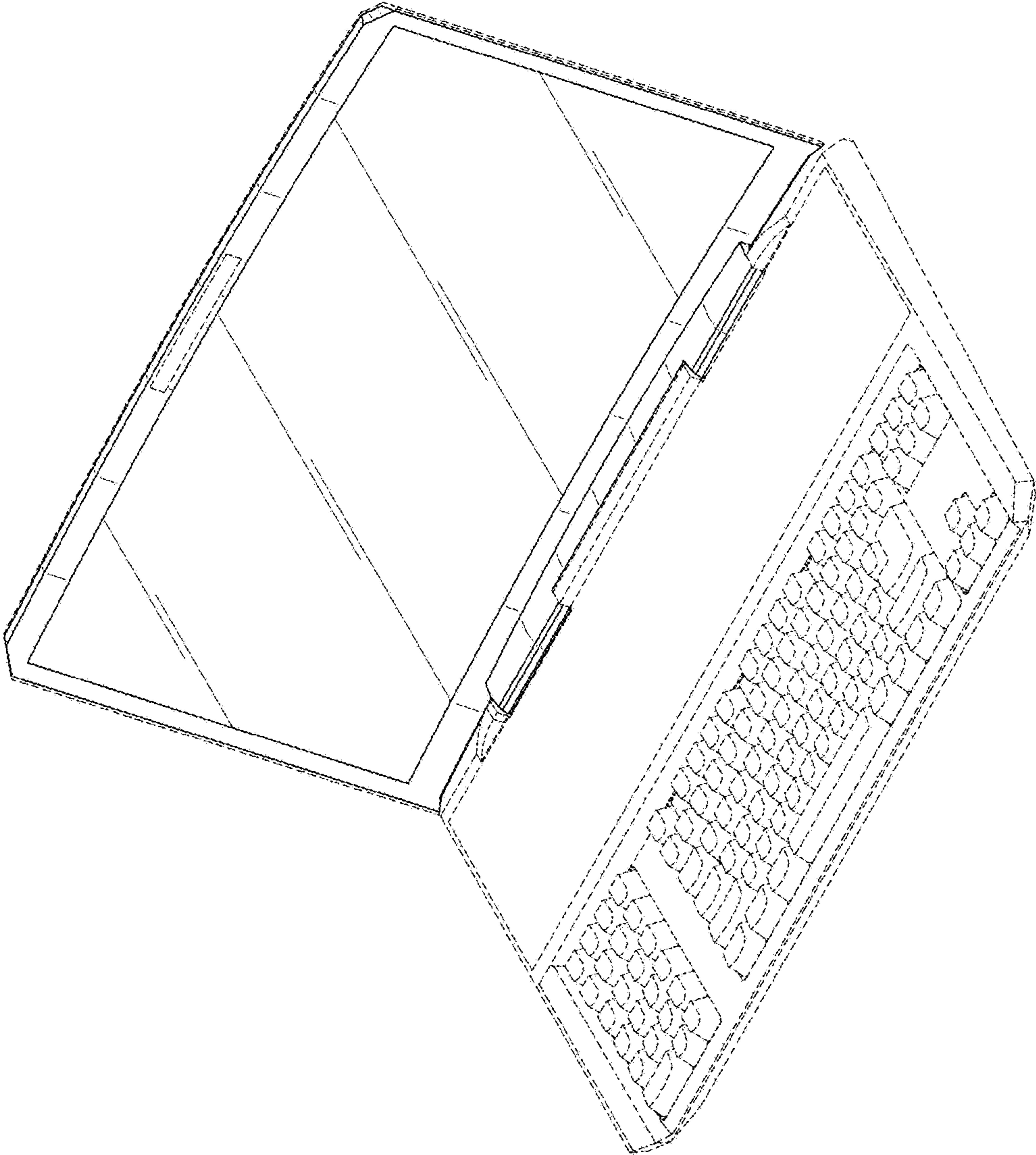


FIG. 1

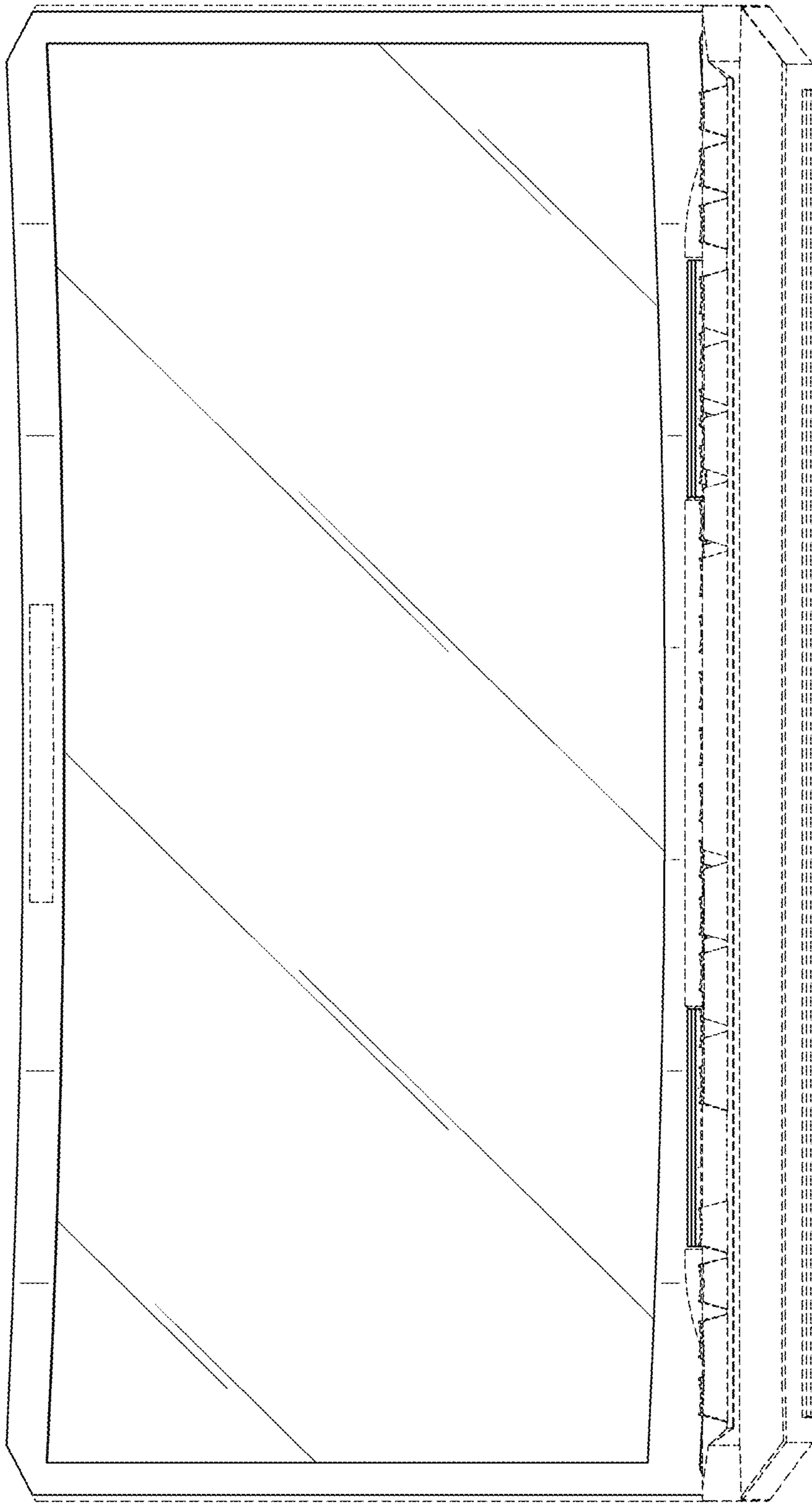


FIG. 2

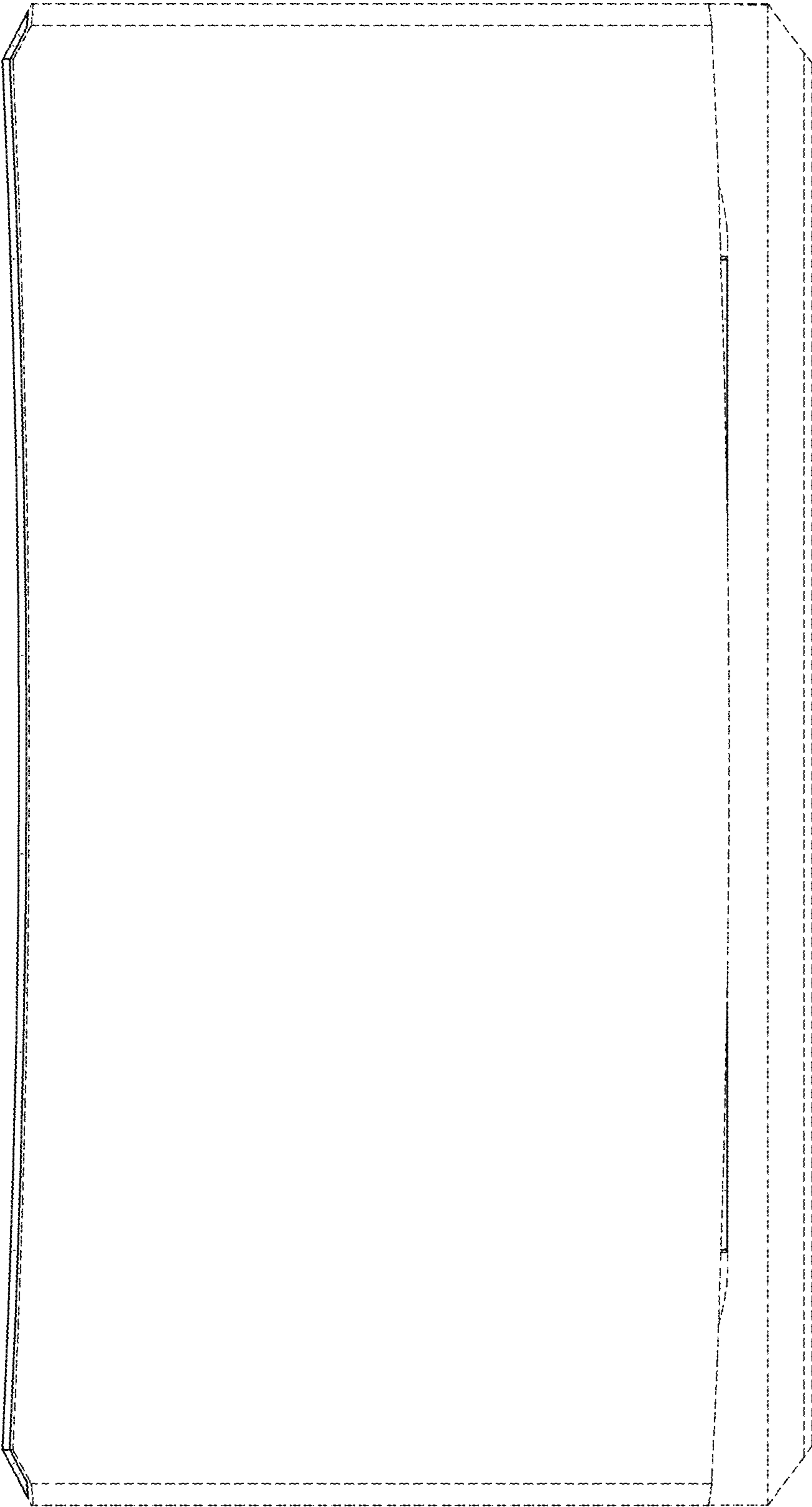


FIG. 3

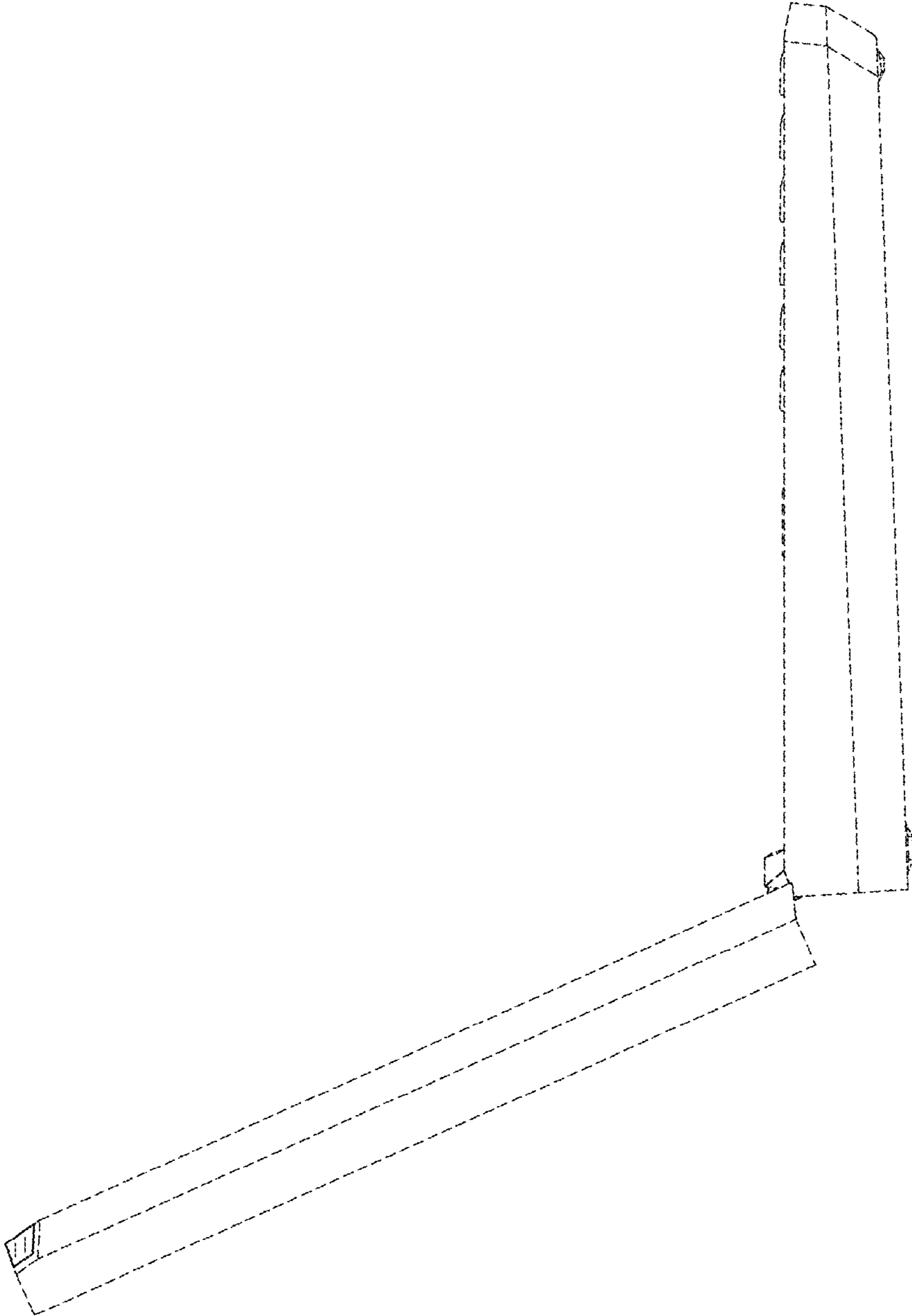


FIG. 4

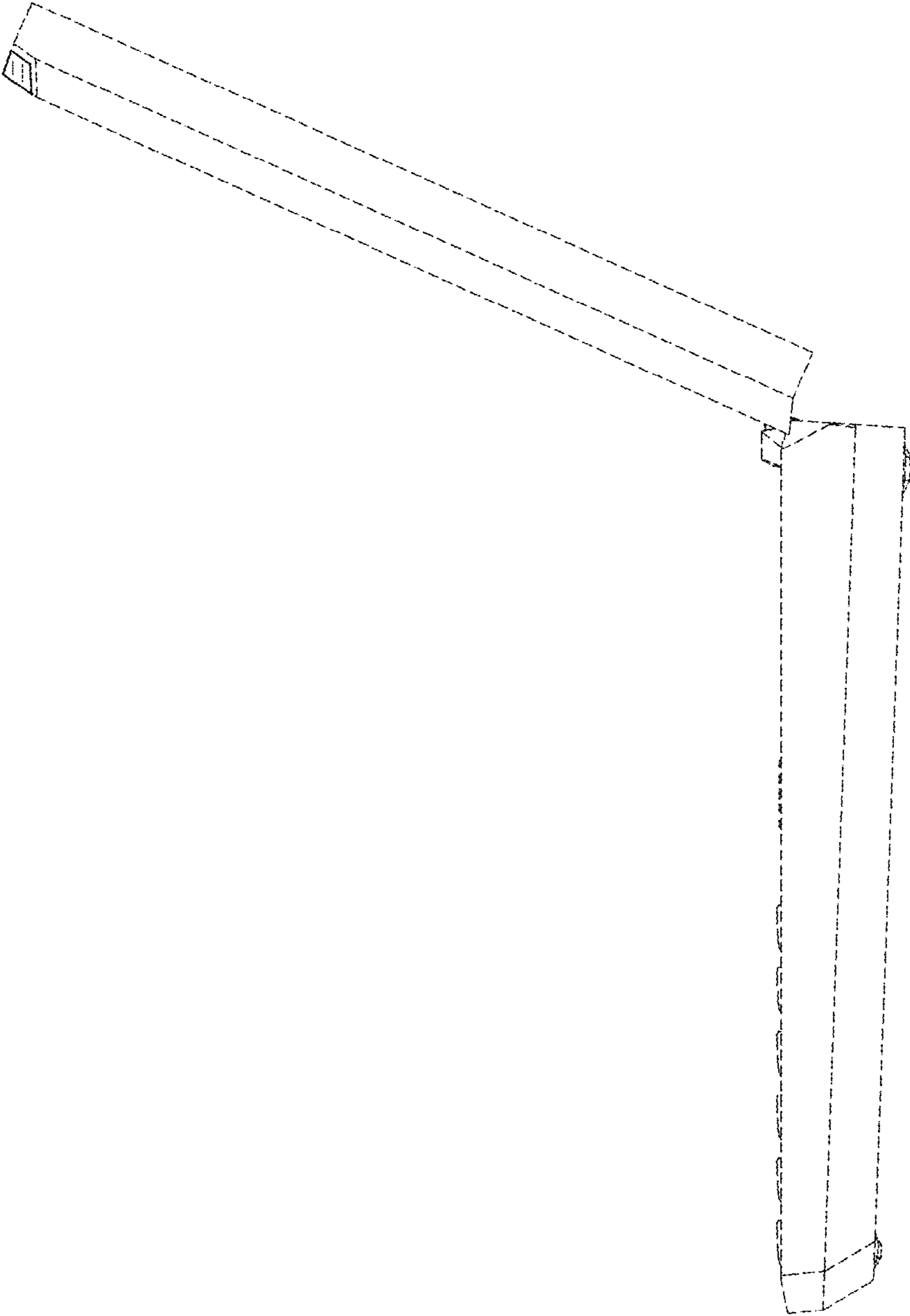


FIG. 5

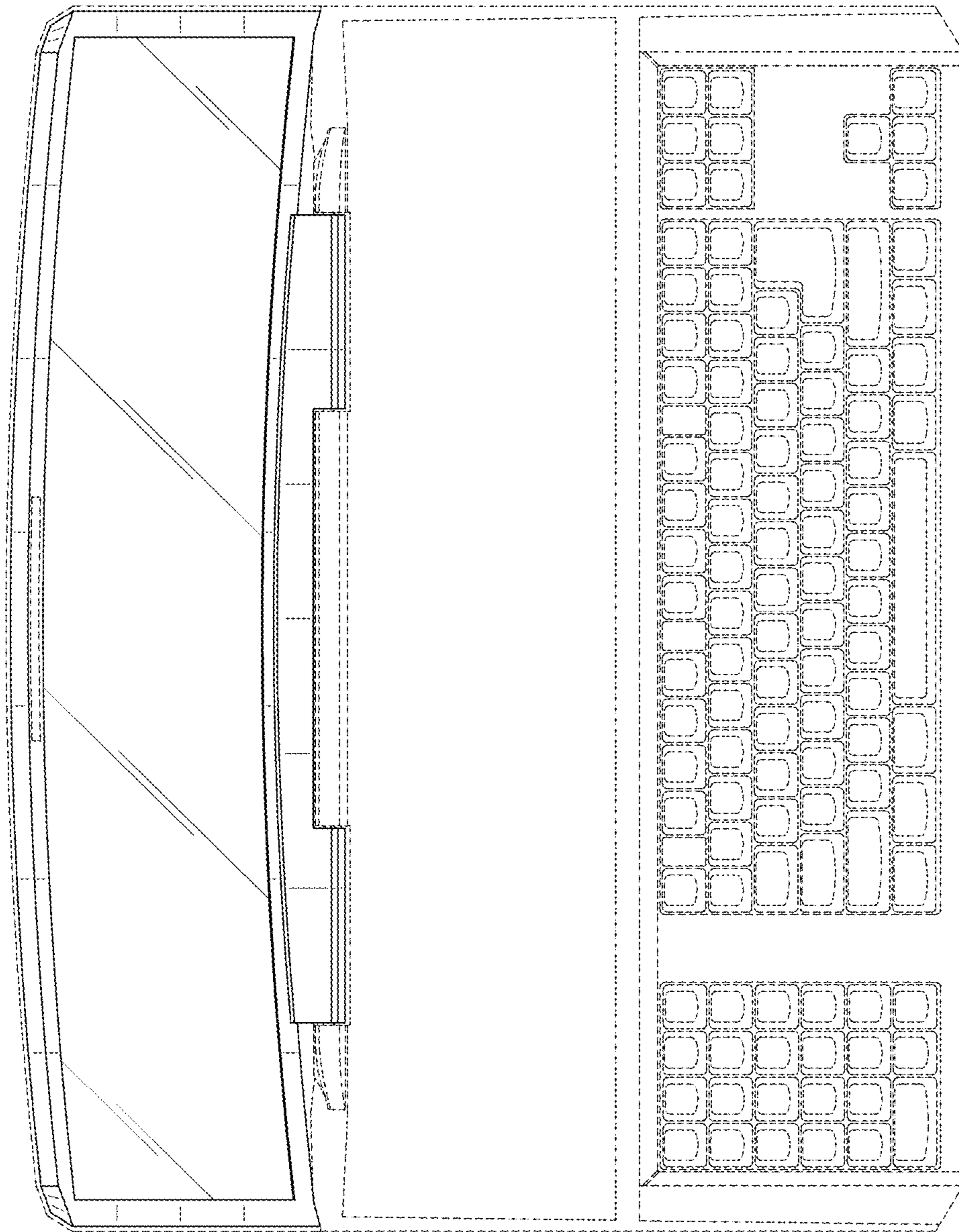


FIG. 6

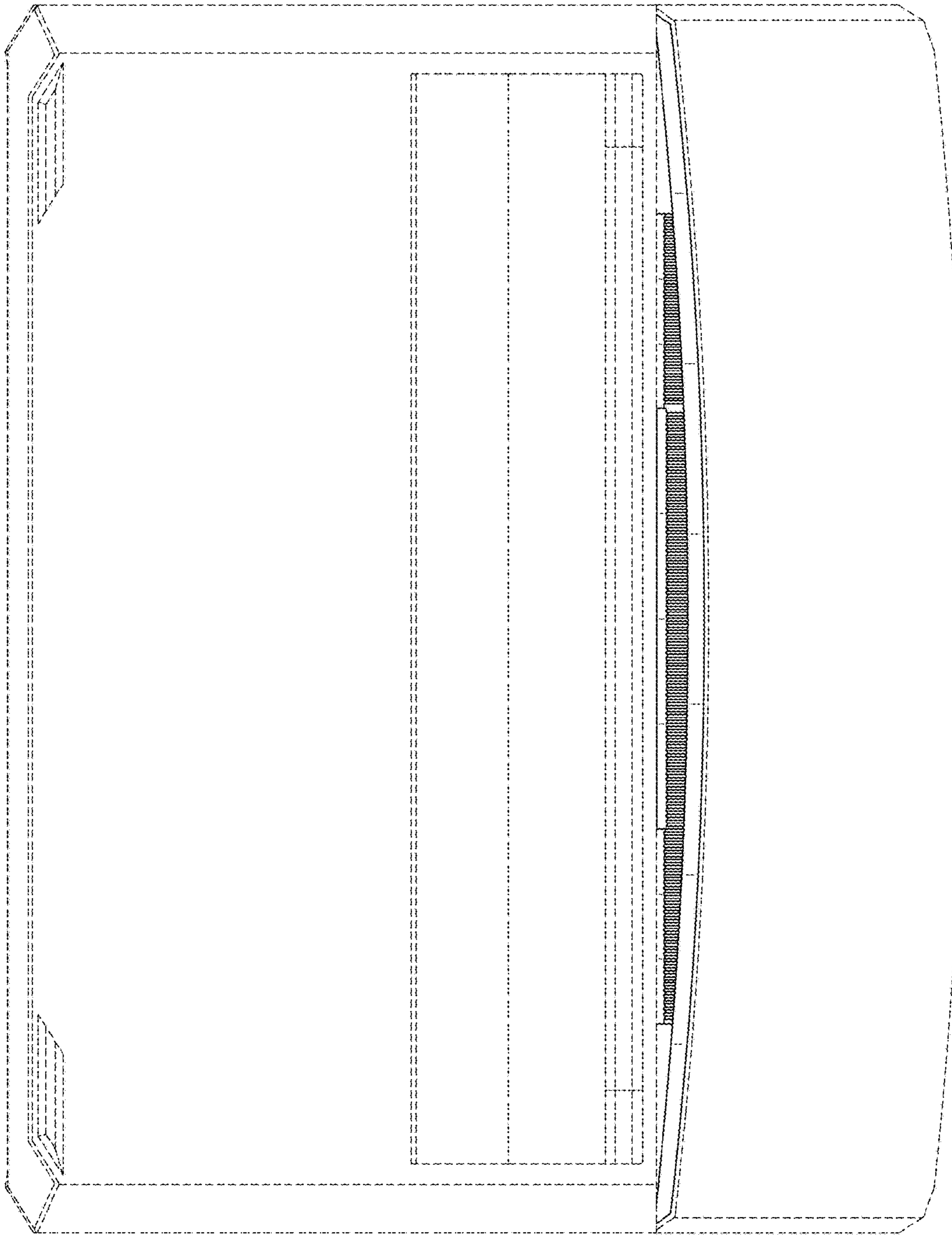


FIG. 7