



US00D788766S

(12) **United States Design Patent** (10) **Patent No.:** **US D788,766 S**
Quilling (45) **Date of Patent:** **** Jun. 6, 2017**

(54) **AUTO STEREO MOUNTING DEVICE**
 (71) Applicant: **Metra Electronics Corporation**, Holly Hill, FL (US)
 (72) Inventor: **R. Spencer Quilling**, Holly Hill, FL (US)
 (73) Assignee: **Metra Electronics Corporation**, Holly Hill, FL (US)

D602,013 S * 10/2009 Quilling, II D14/258
 D602,930 S * 10/2009 Quilling, II D14/258
 D610,580 S * 2/2010 Fiore, IV D14/258
 D611,939 S * 3/2010 Quilling, II D14/258
 D639,287 S * 6/2011 Quilling, II D14/258
 D639,291 S * 6/2011 Quilling, II D14/258
 D639,793 S * 6/2011 Quilling, II D14/258
 D725,096 S * 3/2015 Quilling, II D14/258
 D726,176 S * 4/2015 Quilling, II D14/258
 D727,888 S * 4/2015 Fiore, IV D14/258
 D728,555 S * 5/2015 Fiore, IV D14/258

(**) Term: **15 Years**

* cited by examiner

(21) Appl. No.: **29/569,180**

Primary Examiner — Sandra Morris

(22) Filed: **Jun. 24, 2016**

(74) *Attorney, Agent, or Firm* — J. Wiley Horton

(51) **LOC (10) Cl.** **14-03**

(52) **U.S. Cl.**
USPC **D14/258**

(57) **CLAIM**

The ornamental design for an “auto stereo mounting device,” as shown and described.

(58) **Field of Classification Search**
 USPC D12/192, 195, 415, 420; D14/496,
 D14/498–506, 154, 157, 168–171,
 D14/188–198, 257–258; 248/27.1, 27.3,
 248/558; 455/347, 350
 CPC B60R 11/02; B60K 37/04; B60K 37/06;
 H04B 1/08; H04B 1/082
 See application file for complete search history.

DESCRIPTION

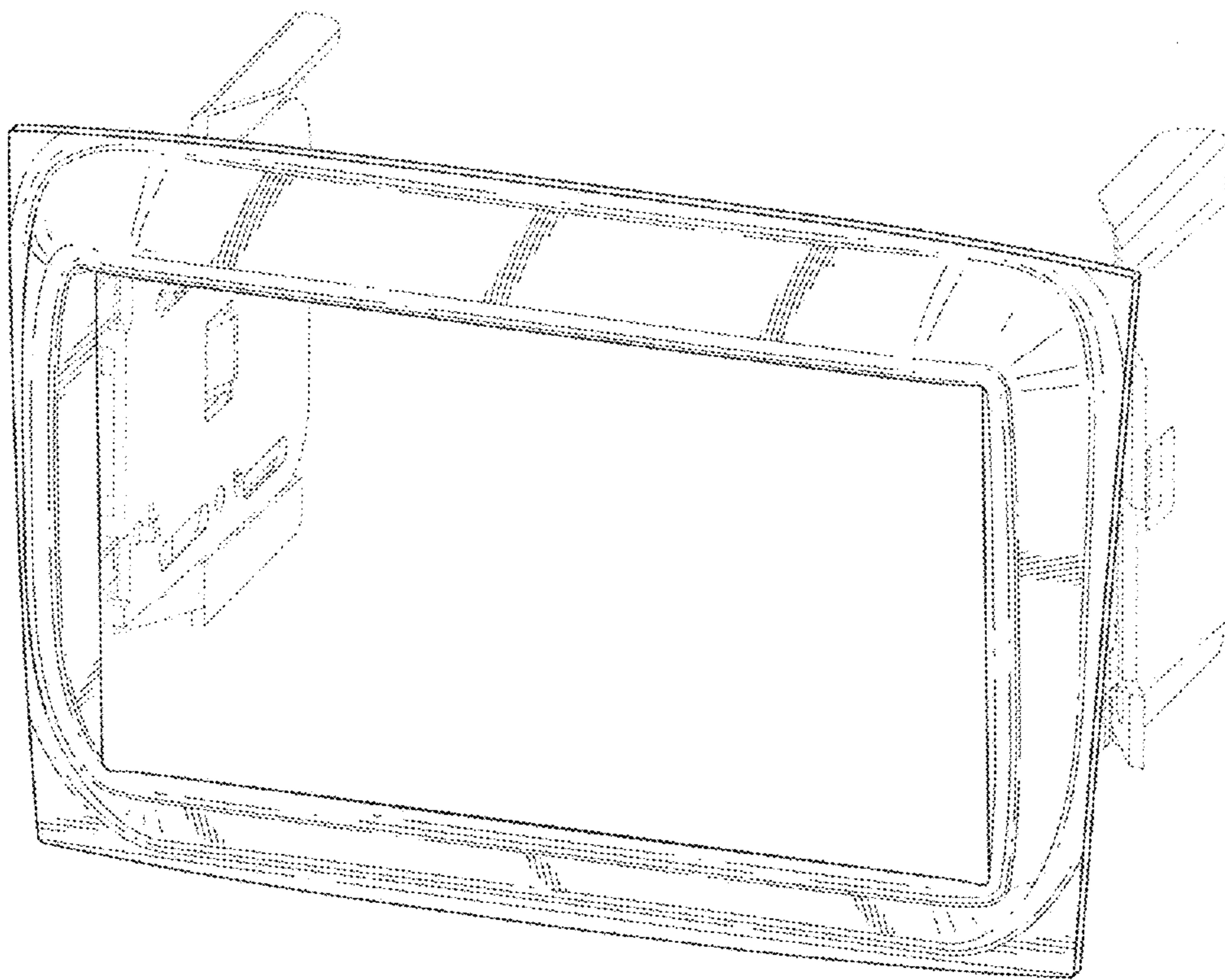
FIG. 1 is a perspective view of an auto stereo mounting device, showing my design;
 FIG. 2 is a front elevation view of FIG. 1;
 FIG. 3 is a rear elevation view of FIG. 1;
 FIG. 4 is a right side elevation view of FIG. 1;
 FIG. 5 is a left side elevation view of FIG. 1;
 FIG. 6 is a top plan view of FIG. 1; and,
 FIG. 7 is a bottom plan view of FIG. 1.
 The broken lines shown in all views illustrate mounting features which form no part of the claimed design.

(56) **References Cited**

U.S. PATENT DOCUMENTS

D545,661 S * 7/2007 Quilling, II D14/258
 D581,408 S * 11/2008 Fiore, IV D14/258

1 Claim, 7 Drawing Sheets



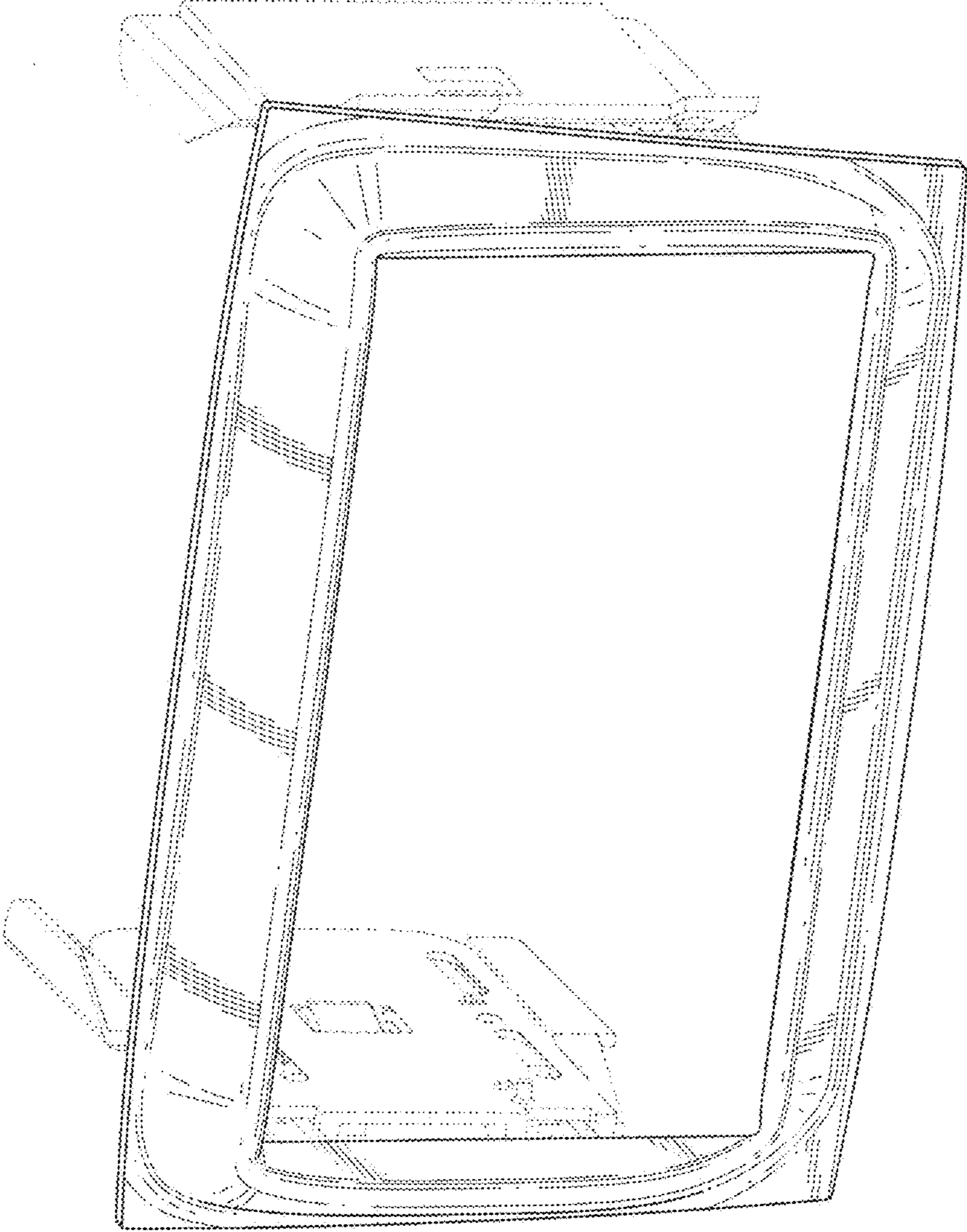


FIG. 1

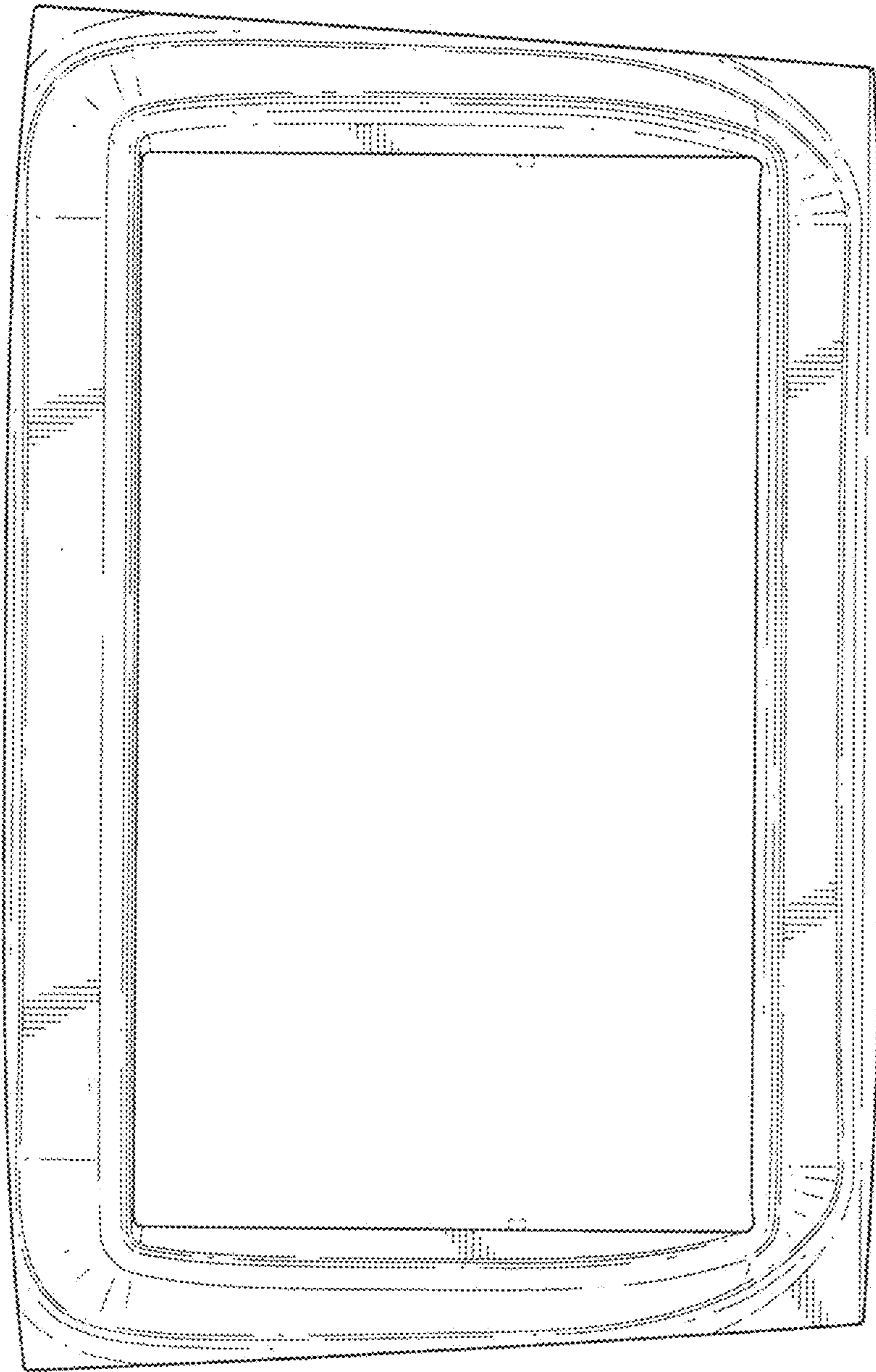


FIG. 2

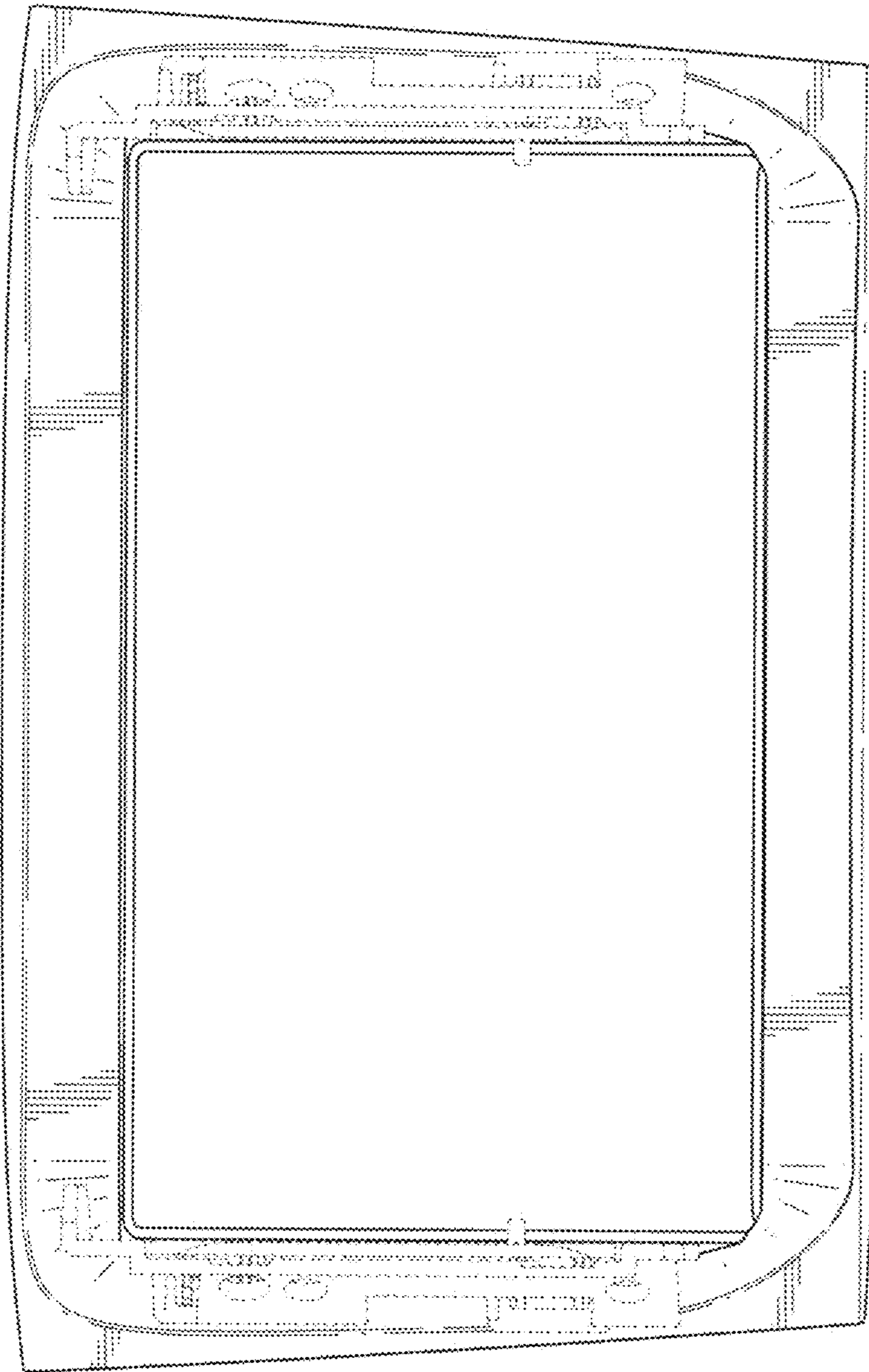


FIG. 3

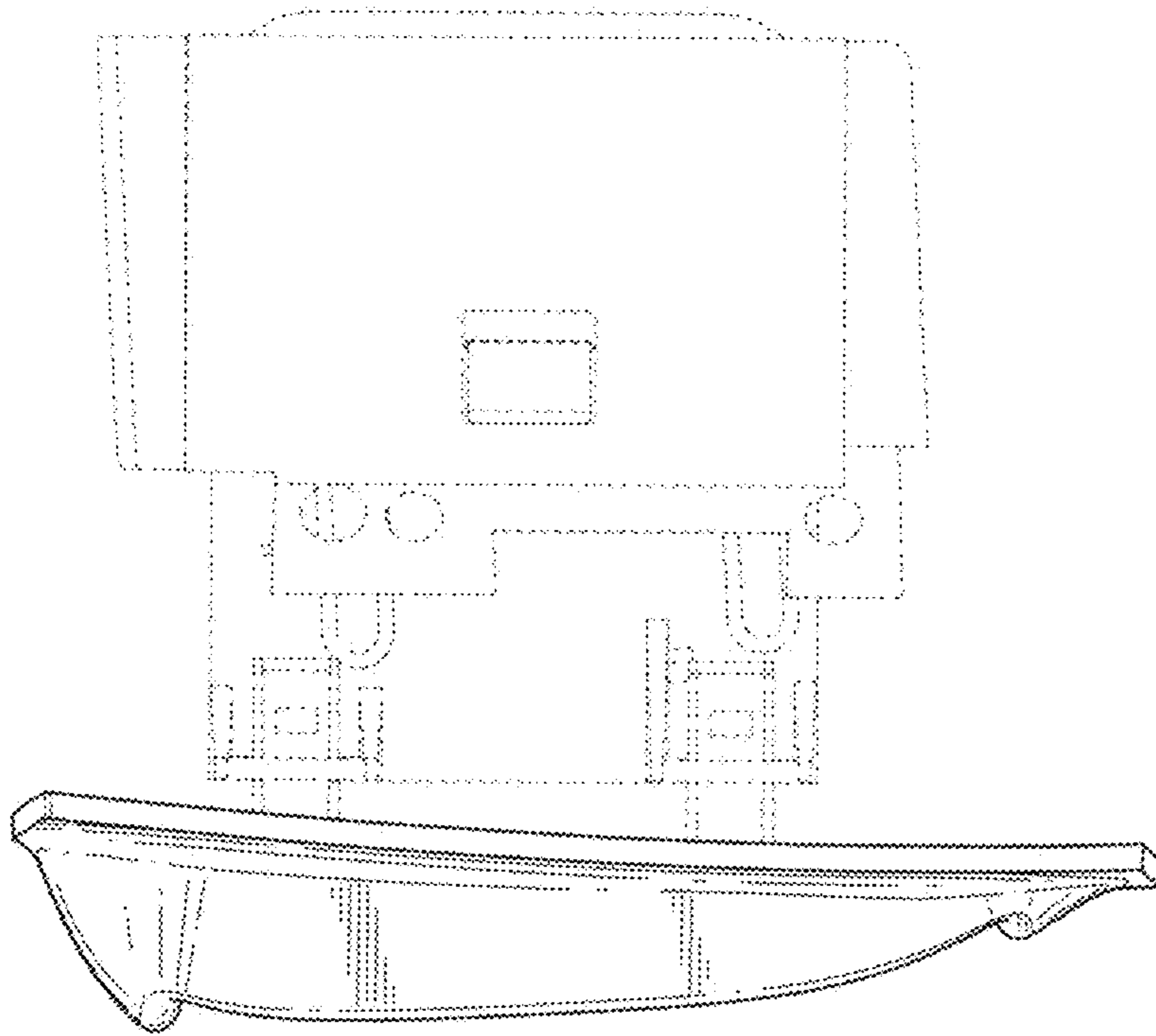


FIG. 4

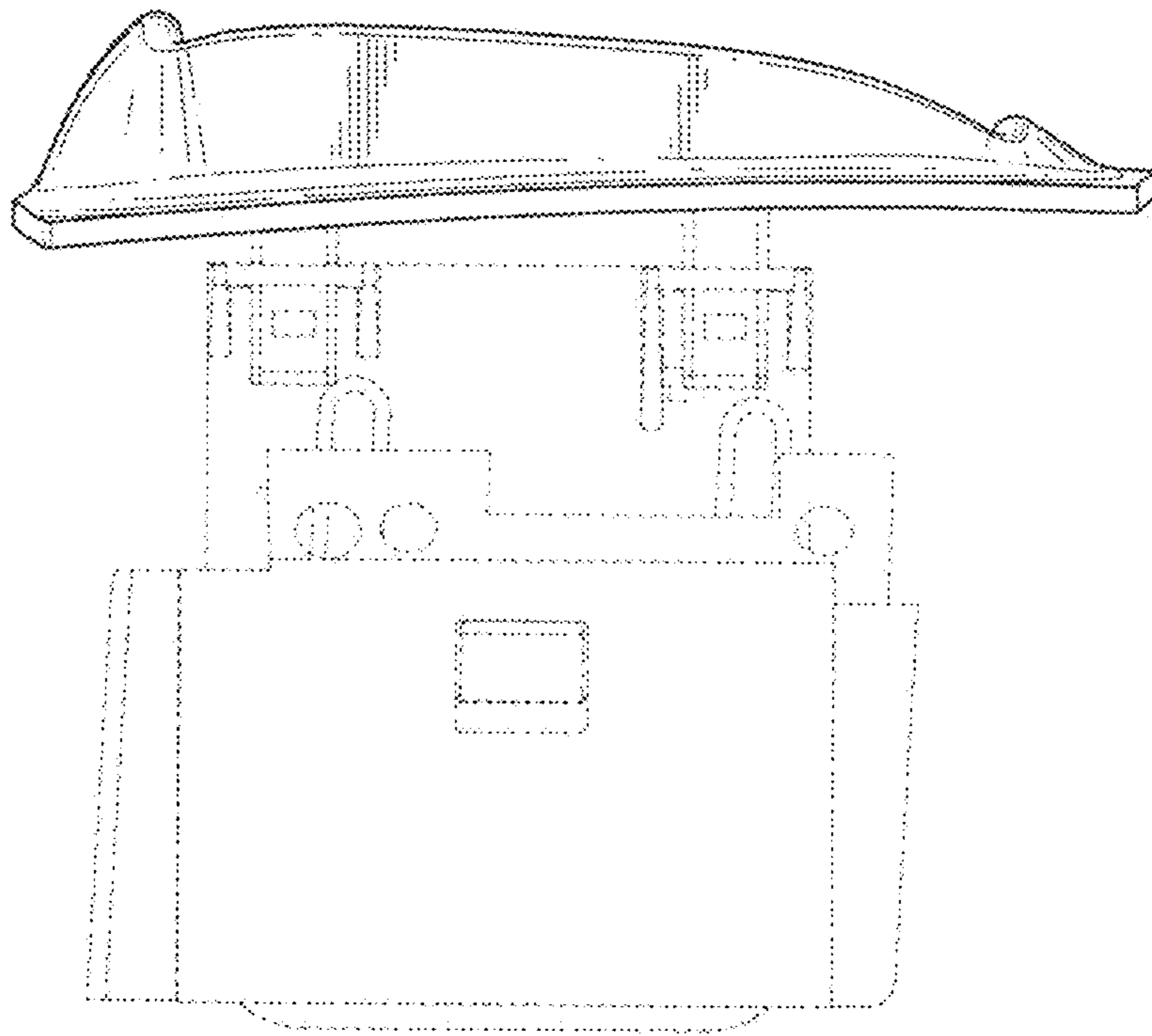


FIG. 5

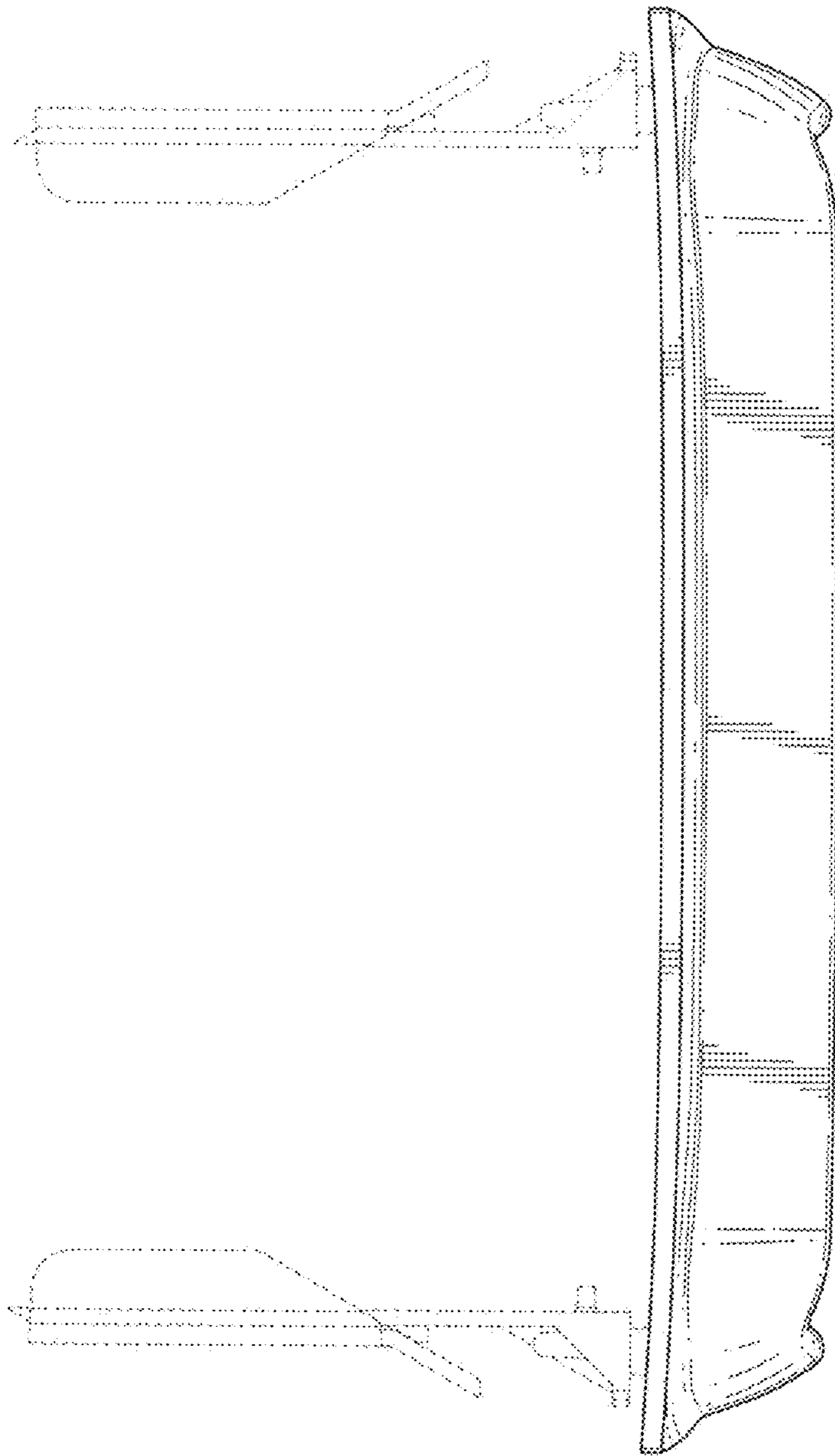


FIG. 6

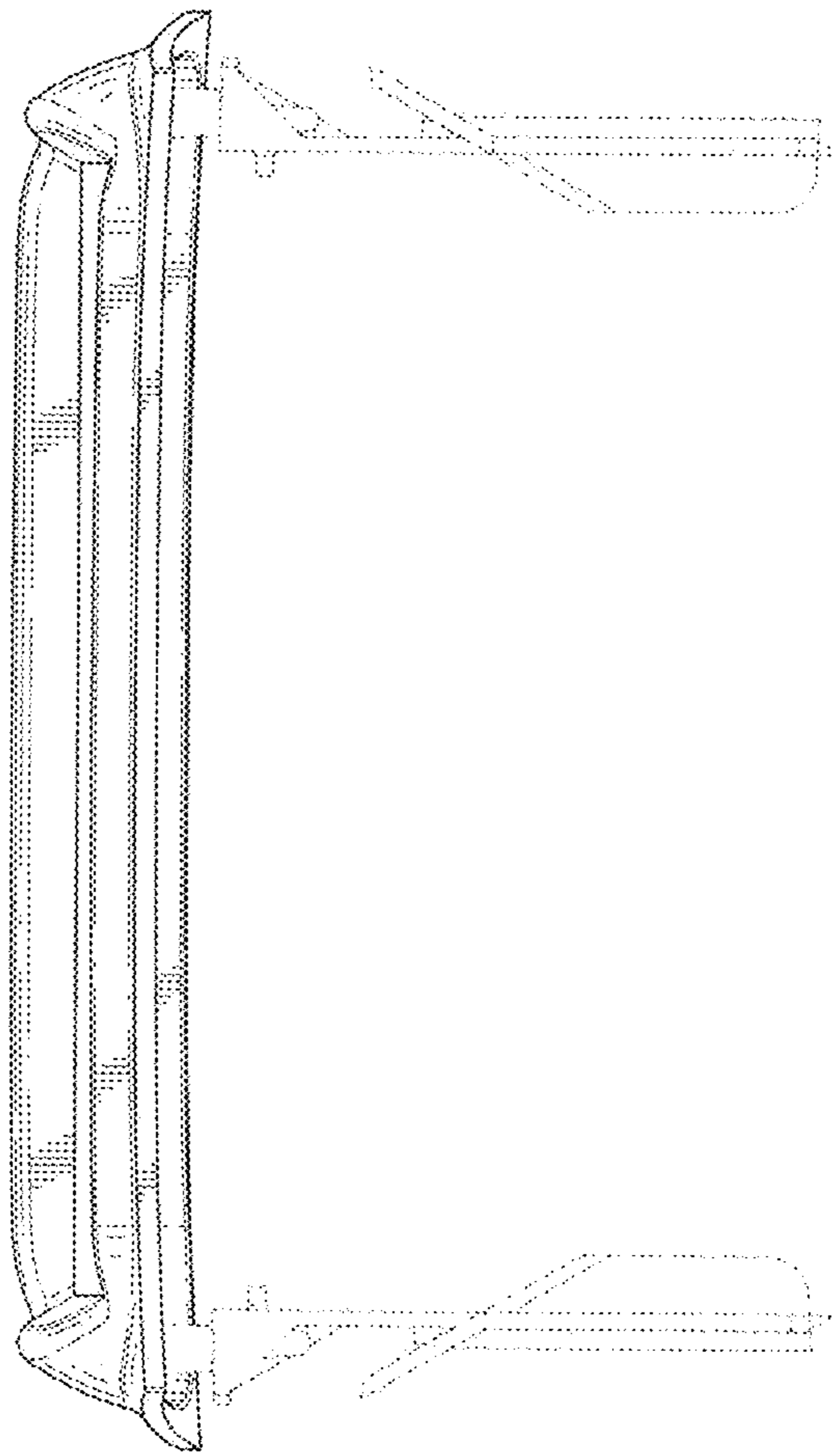


FIG. 7