



US00D788762S

(12) **United States Design Patent**
Kim et al.

(10) **Patent No.:** **US D788,762 S**
(45) **Date of Patent:** **** Jun. 6, 2017**

(54) **STAND FOR WRIST-WORN ELECTRONIC DEVICE**

(71) Applicants: **Dae-Young Kim**, Seoul (KR); **Bum Joon Lee**, Seoul (KR)

(72) Inventors: **Dae-Young Kim**, Seoul (KR); **Bum Joon Lee**, Seoul (KR)

(73) Assignee: **SPIGEN KOREA CO., LTD.**, Geumcheon-Gu, Seoul (KR)

(**) Term: **14 Years**

(21) Appl. No.: **29/523,594**

(22) Filed: **Apr. 10, 2015**

(51) **LOC (10) Cl.** **14-03**

(52) **U.S. Cl.**

USPC **D14/253**; D23/250; D23/251

(58) **Field of Classification Search**

USPC D3/218; D6/406.3, 406.4, 406.5, 406.6; D14/250-251, 253, 432, 434, 439-440, D14/447, 451-452, 457; D26/93

(Continued)

(56) **References Cited**

U.S. PATENT DOCUMENTS

D234,851 S * 4/1975 Tyson et al. D14/149
D308,730 S * 6/1990 Nakagawa D26/107

(Continued)

OTHER PUBLICATIONS

Alibaba | Products | Consumer Electronics | Mobile Phone & Accessories | Mobile Phone Holders (370228), posted on Jun. 15, 2016, © 1999-2016 Alibaba [online], [site visited Sep. 14, 2016]. Available from Internet, <URL: https://www.alibaba.com/product-detail/new-arrival-nano-micro-suction-mobile_60253706490.html>.*

(Continued)

Primary Examiner — Philip S Hyder
Assistant Examiner — Cary M Robinson

(74) *Attorney, Agent, or Firm* — East West Law Group; Heedong Chae

(57) **CLAIM**

The ornamental design for a stand for wrist-worn electronic device, as shown and described.

DESCRIPTION

FIG. 1 is a front perspective view of a stand, having a supporting member and an electronic device holder, for wrist-worn electronic device showing my new design;

FIG. 2 is a rear perspective view thereof;

FIG. 3 is a front elevational view thereof;

FIG. 4 is a rear elevational view thereof;

FIG. 5 is a left side elevational view thereof; and

FIG. 6 is a right side elevational view thereof;

FIG. 7 is a top plan view thereof;

FIG. 8 is a bottom plan view thereof;

FIG. 9 is a front perspective view of the supporting member;

FIG. 10 is a rear perspective view of the supporting member;

FIG. 11 is a front perspective view of the electronic device holder;

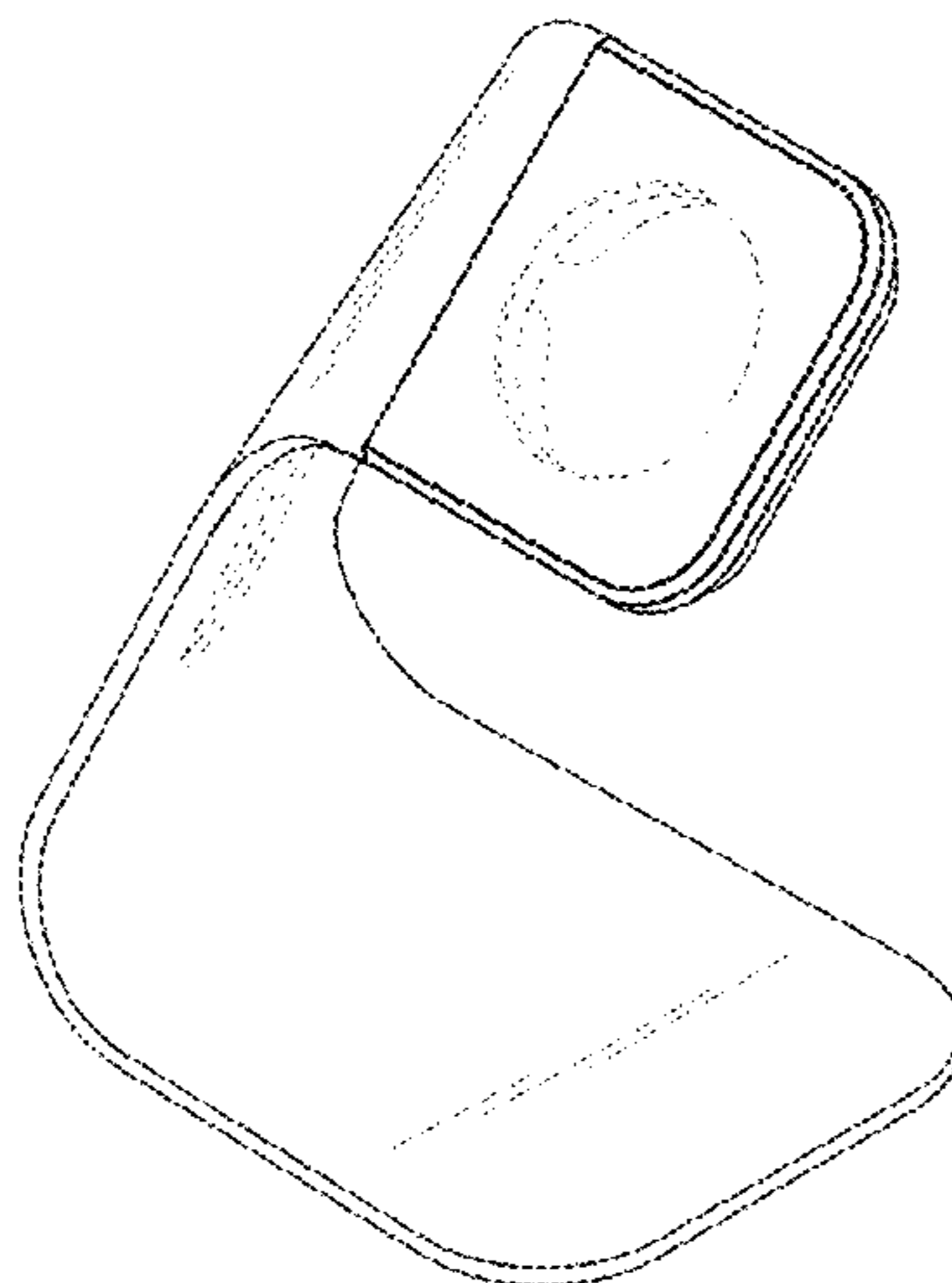
FIG. 12 is a rear perspective view of the electronic device holder;

FIG. 13 is a front perspective view of the stand for wrist-worn electronic device in which the supporting member and the electronic device holder are shown separated for clarity of disclosure; and,

FIG. 14 is a rear perspective view of the stand for wrist-worn electronic device in which the supporting member and the electronic device holder are shown separated for clarity of disclosure.

The broken line showing of the holes and the mounting skewers in each of the Figures illustrate a boundary of the claim and form no part of the claimed design.

1 Claim, 14 Drawing Sheets



(58) **Field of Classification Search**

CPC A45C 2011/003; A45C 2011/002; A45C
13/002; A47B 2021/0307; A47B
2023/005; A47B 2023/049; A47B
2097/005; A47B 2097/006; A47B 21/04;
A47B 23/00; A47B 23/043; F16M
2200/00; H04B 1/3888; H04M 1/04;
H04M 1/185

See application file for complete search history.

(56) **References Cited**

U.S. PATENT DOCUMENTS

D536,124 S *	1/2007	Liao	D26/106
D580,578 S *	11/2008	Chien	D26/63
D636,928 S *	4/2011	Lin	D26/138
D673,321 S *	12/2012	Karkkainen	D26/93
D717,289 S *	11/2014	Takabatake	D14/252
D753,642 S *	4/2016	Imuro	D14/253
2008/0234856 A1 *	9/2008	Saez	F16M 13/00 700/182

OTHER PUBLICATIONS

China Prices, posted on Nov. 23, 2015, [no copyright date posted] [online], [site visited Sep. 14, 2016]. Available from Internet, <URL: <http://chinaprices.net/?search=samsung+smart+watch>>.*
eBay | Wooden Charging Dock Stand Holder Desktop for Smartwatch/Smartphone/Tablet Light, last updated on Mar. 22, 2016, © 1995-2016 eBay, Inc. [online], [site visited Sep. 14, 2016]. Available from Internet, <URL <http://www.ebay.co.uk/itm/Wooden-Charging-Dock-Stand-Holder-Desktop-for-Smartwatch-Smartphone-Tablet-Light-/291612064661>>.*
Szbros | Product | Cell Phone Accessories | SZBRO Smart Watch Charging Stand Dock Platform Holder Compatible for Apple Watch [38mm][42mm] Both Models (Green), posted on Apr. 24, 2015, © 2016 www.szbros.com [online], [site visited Sep. 14, 2016]. Available from Internet, <URL: <http://www.ebay.co.uk/itm/Wooden-Charging-Dock-Stand-Holder-Desktop-for-Smartwatch->>.*

* cited by examiner

FIG. 1

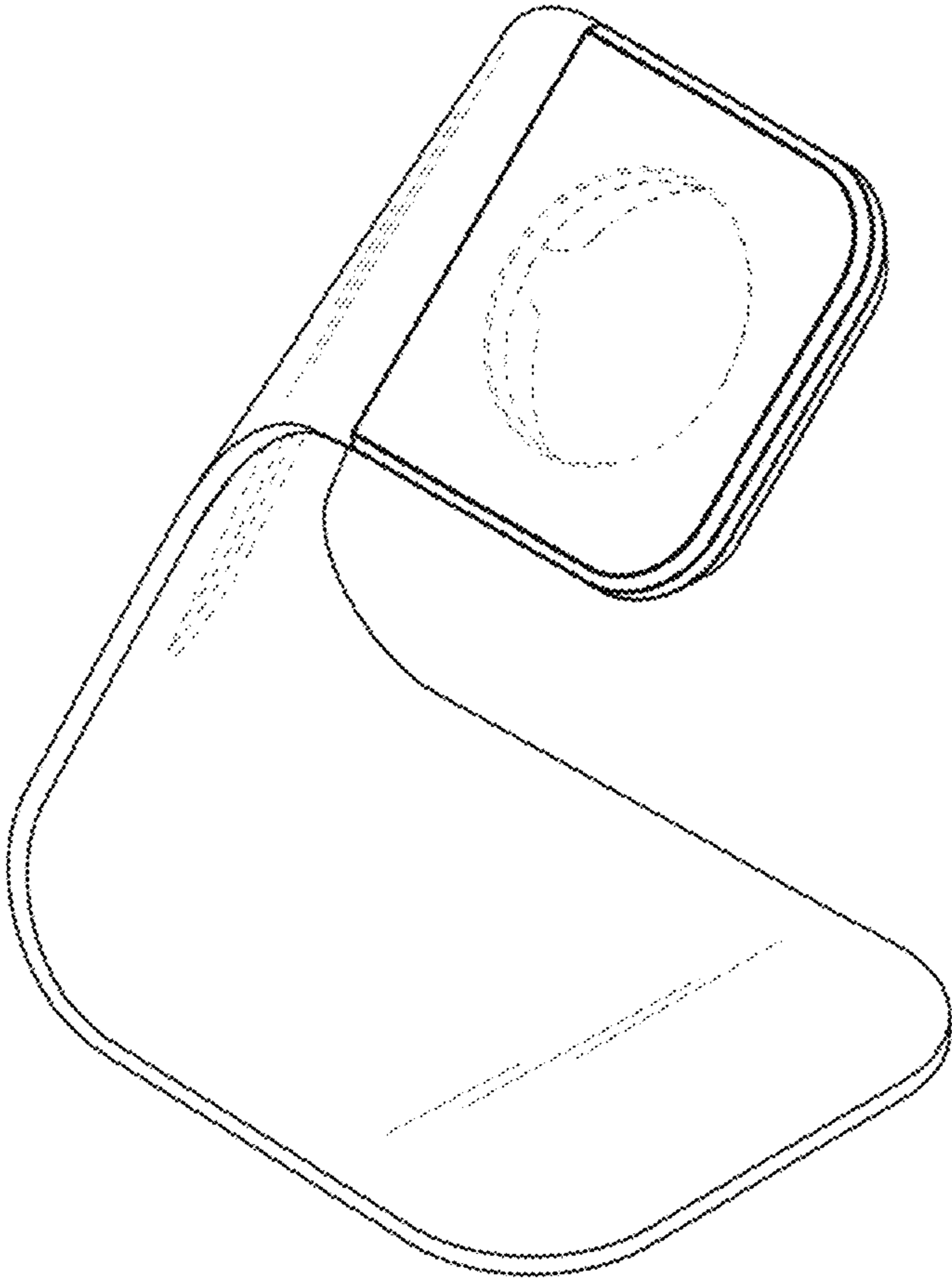


FIG. 2

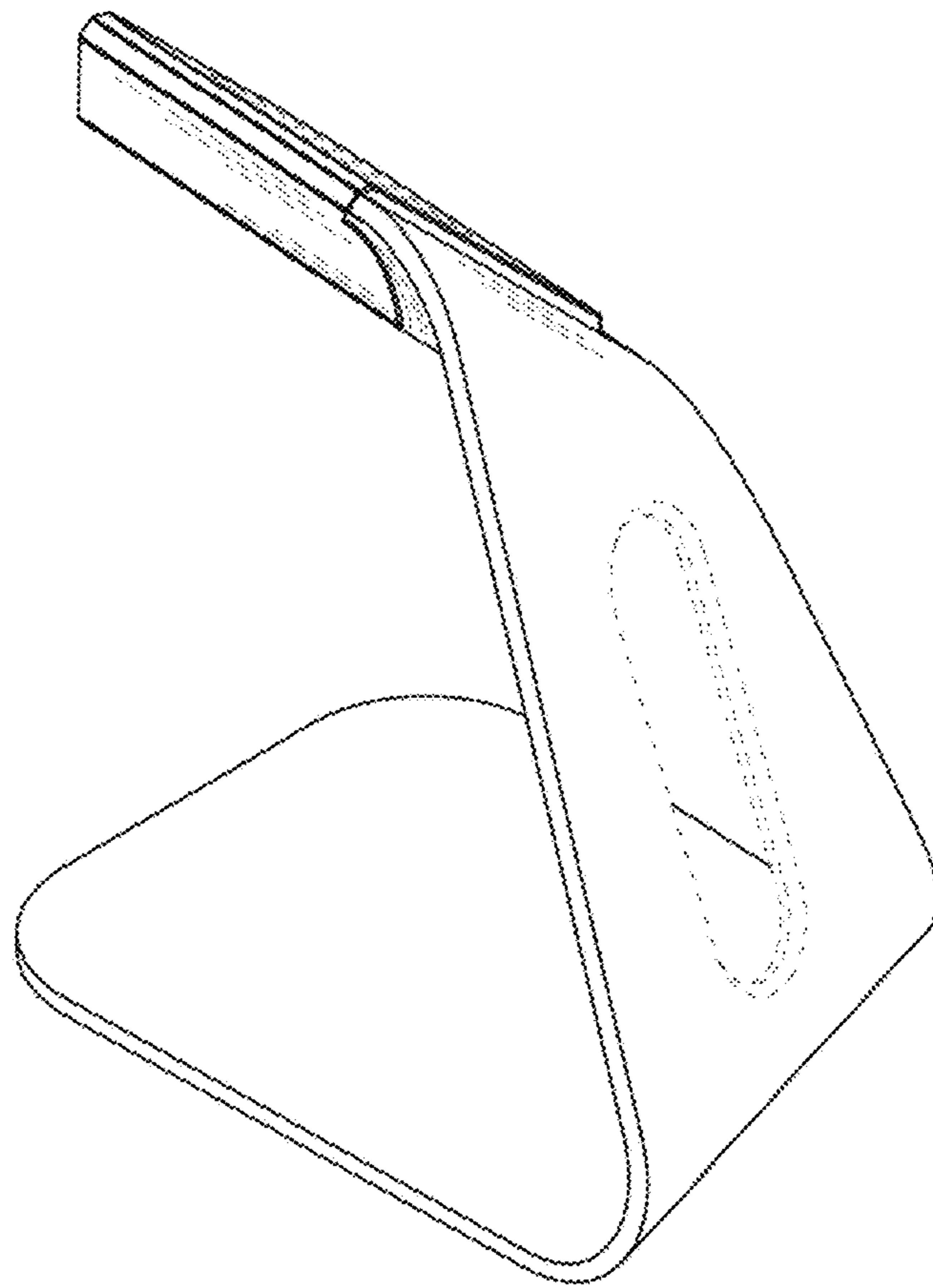


FIG. 3

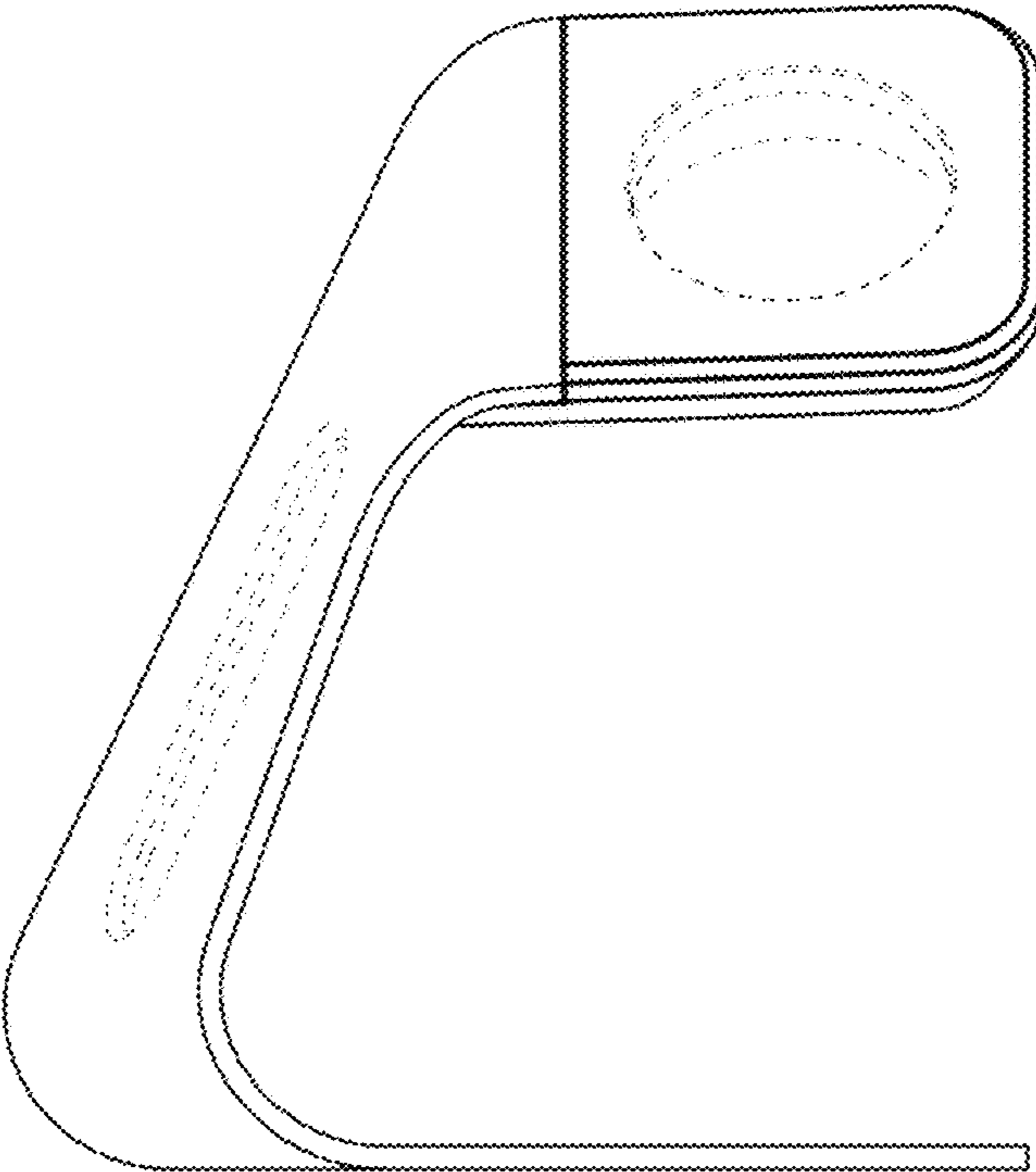


FIG. 4

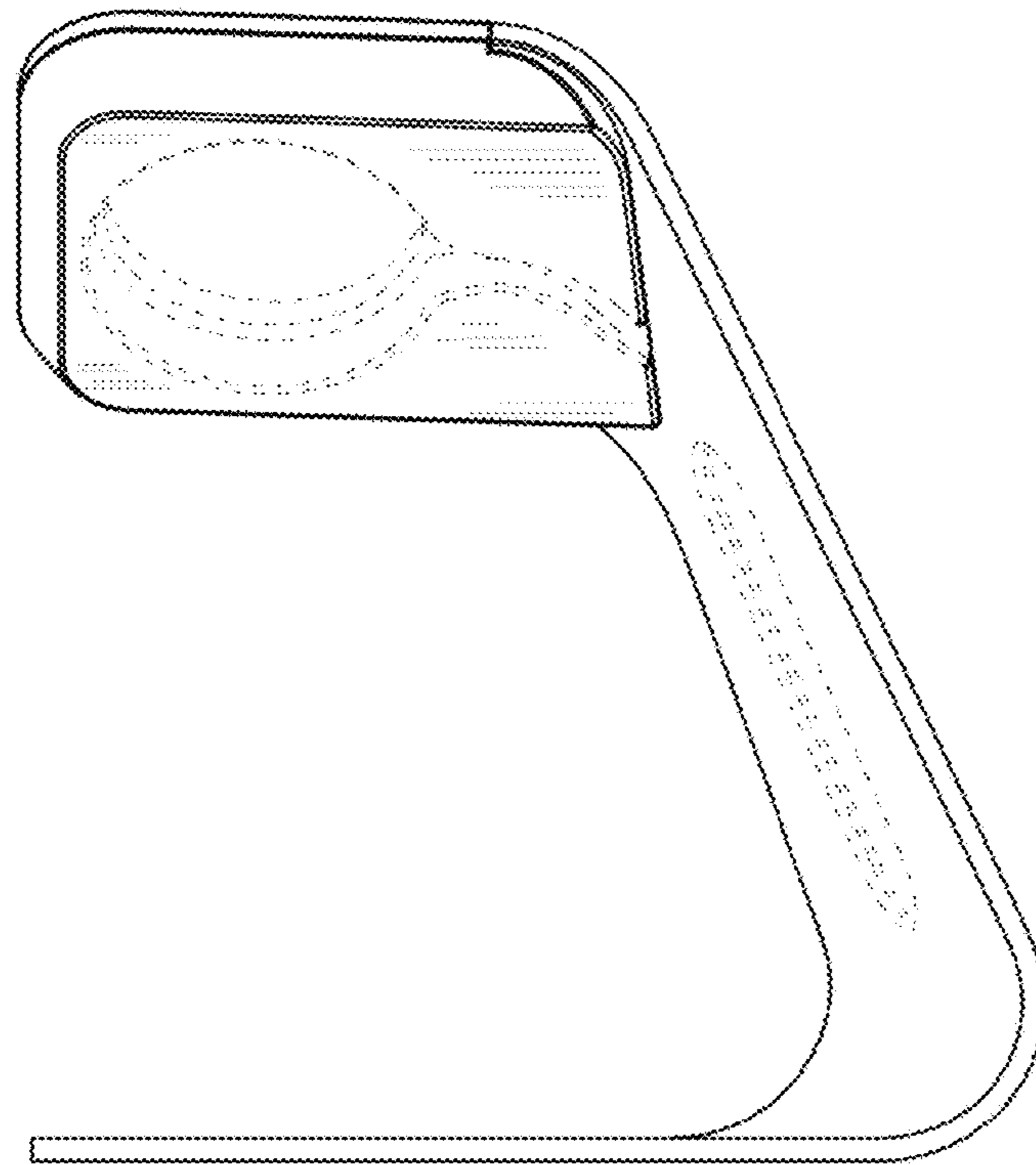


FIG. 5

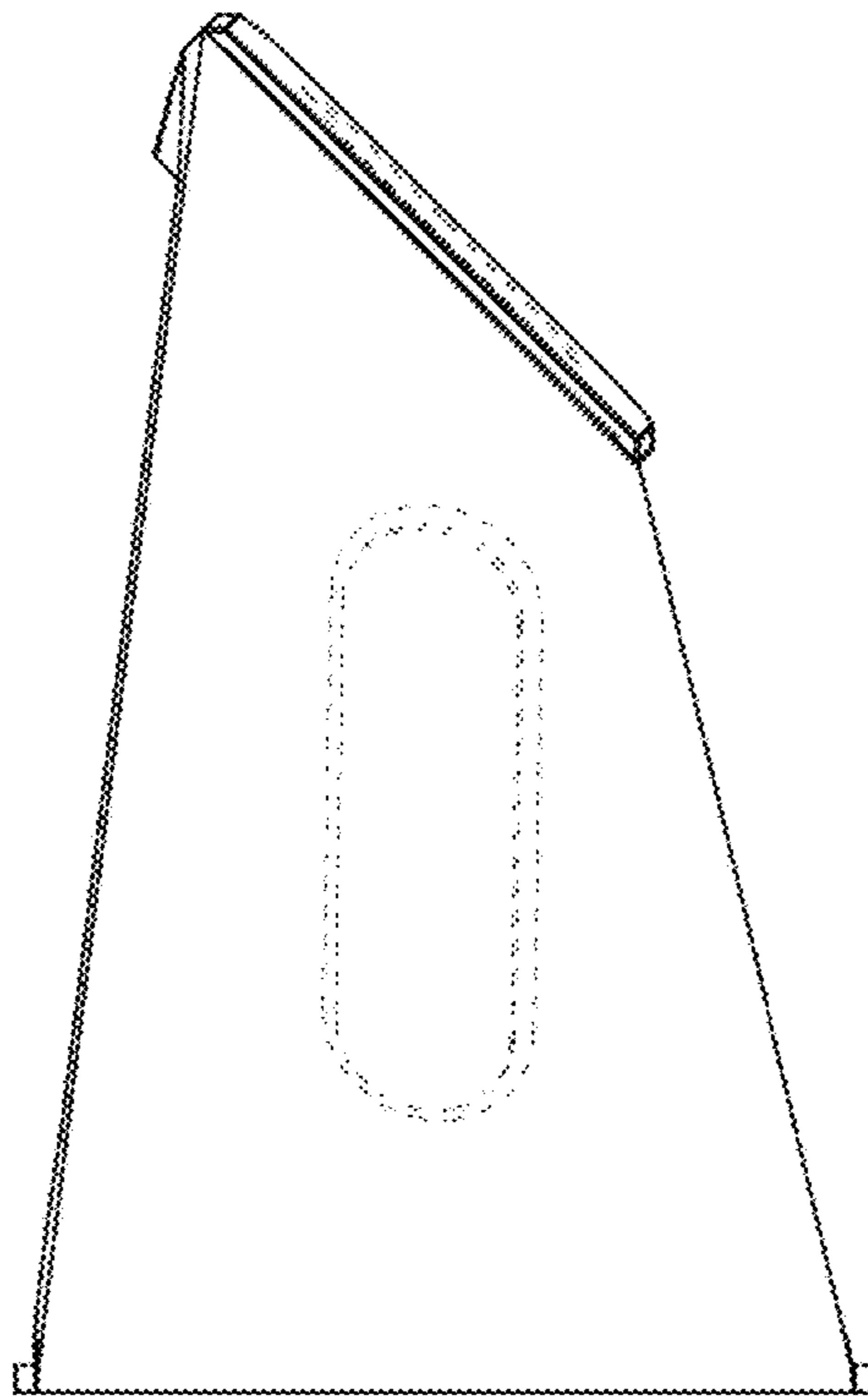


FIG. 6

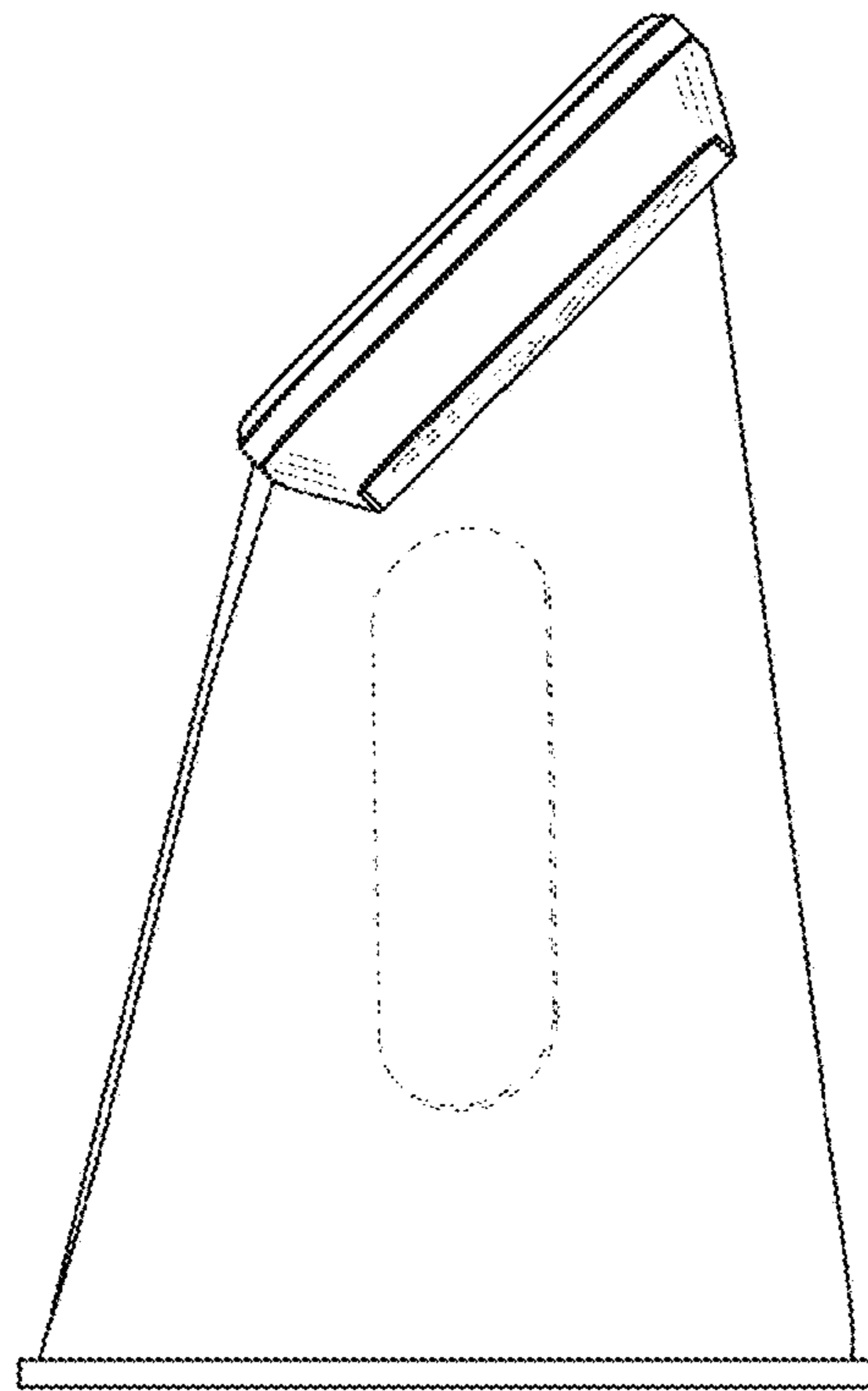


FIG. 7

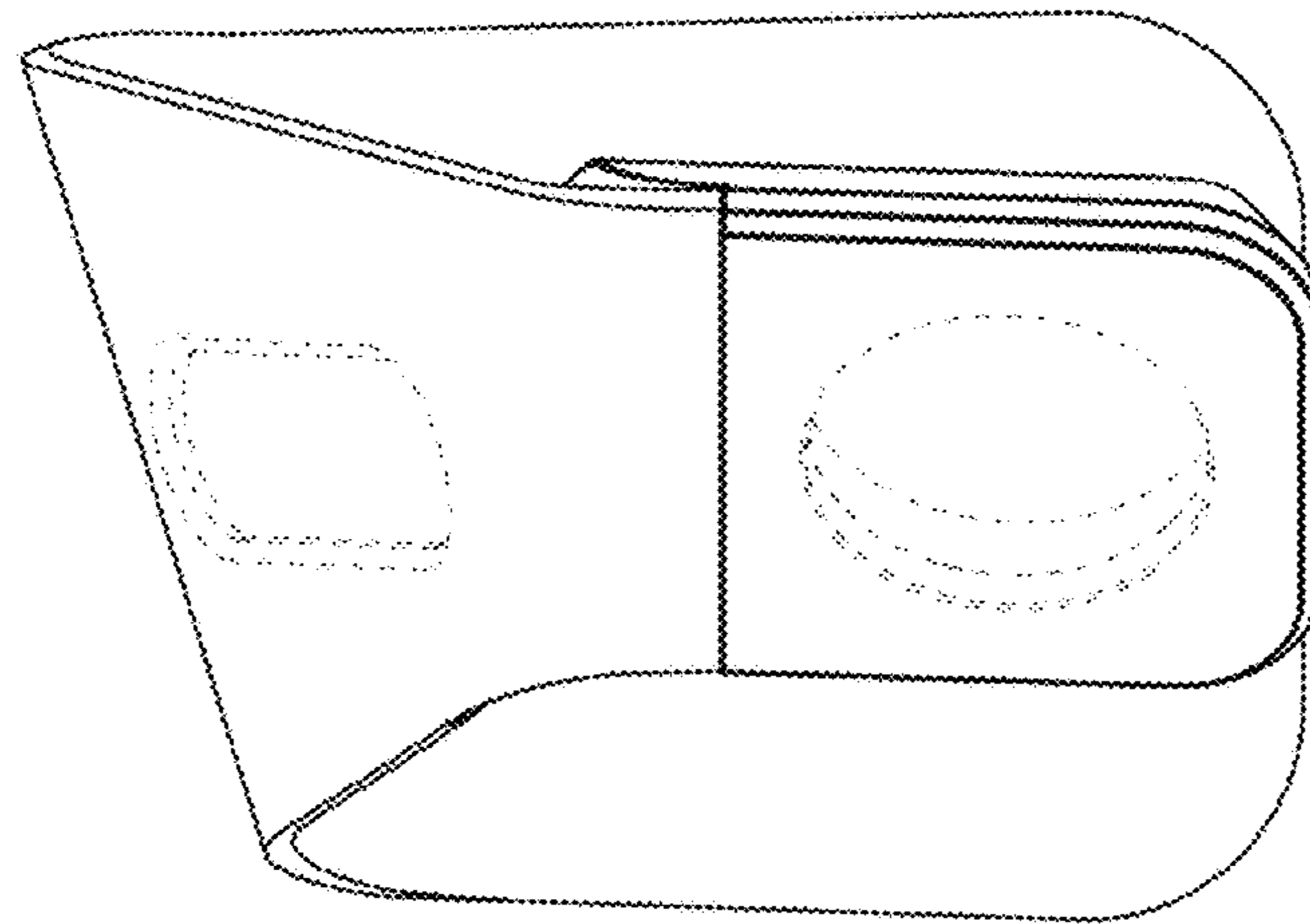


FIG. 8

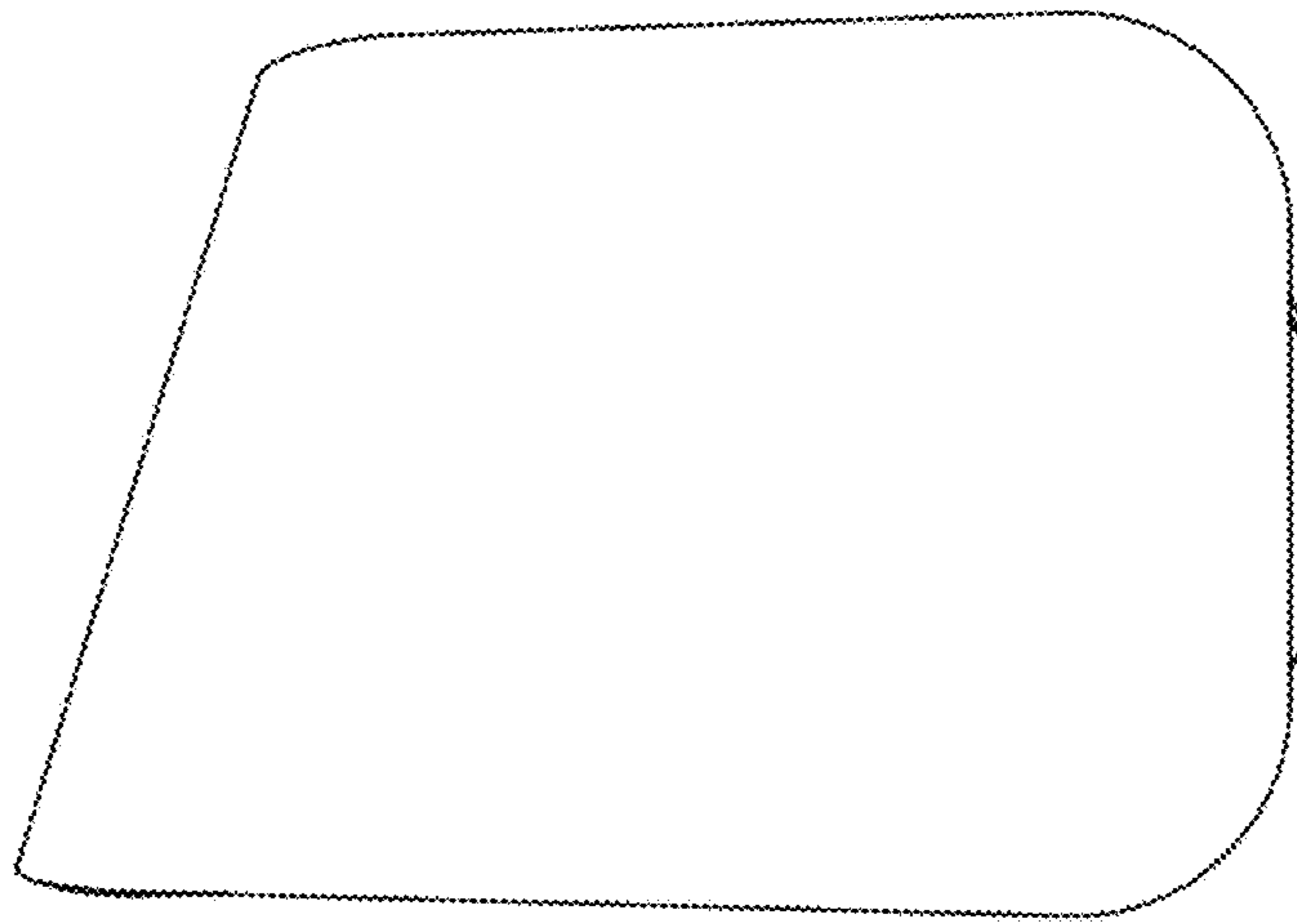


FIG. 9

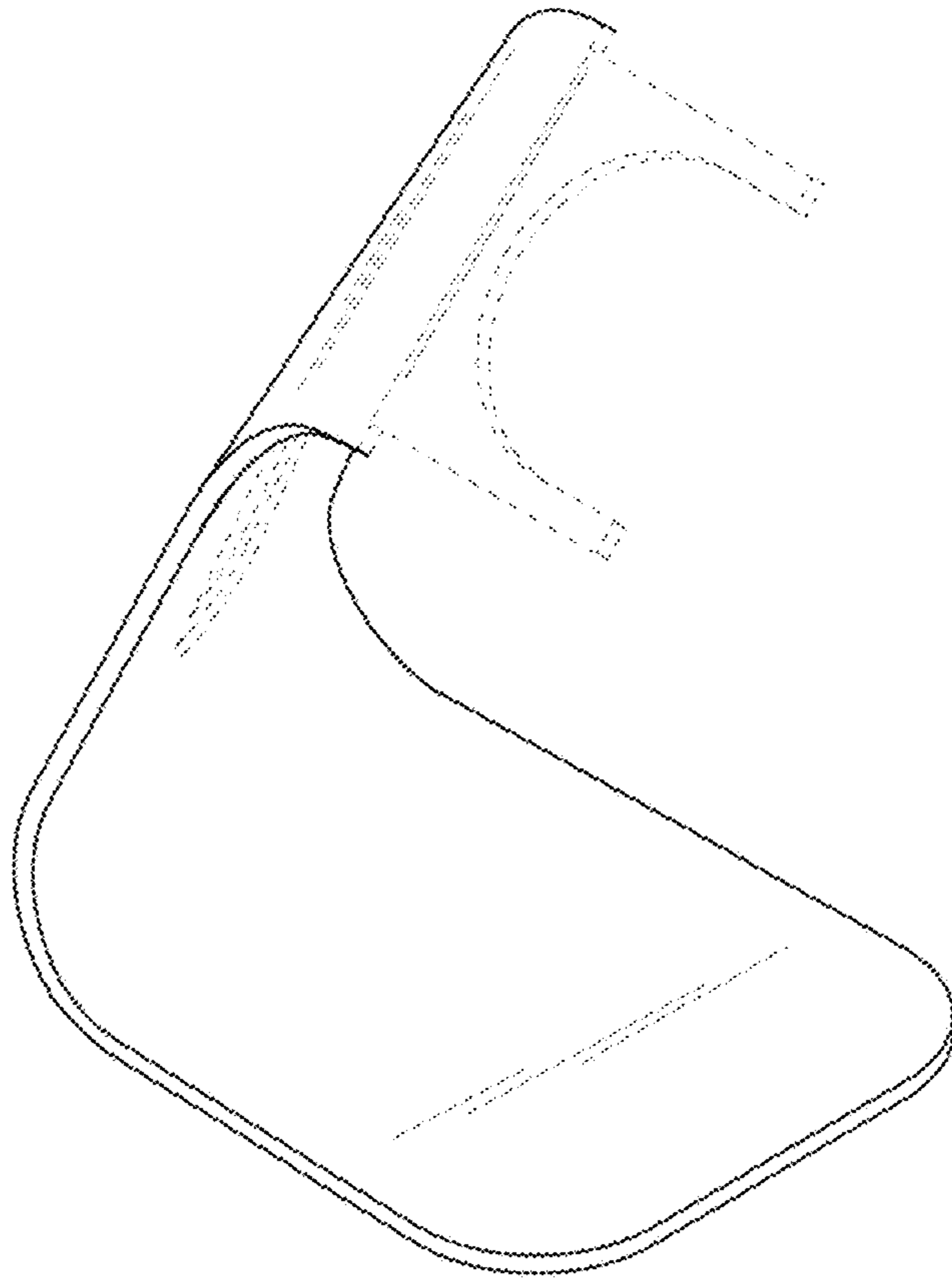


FIG. 10

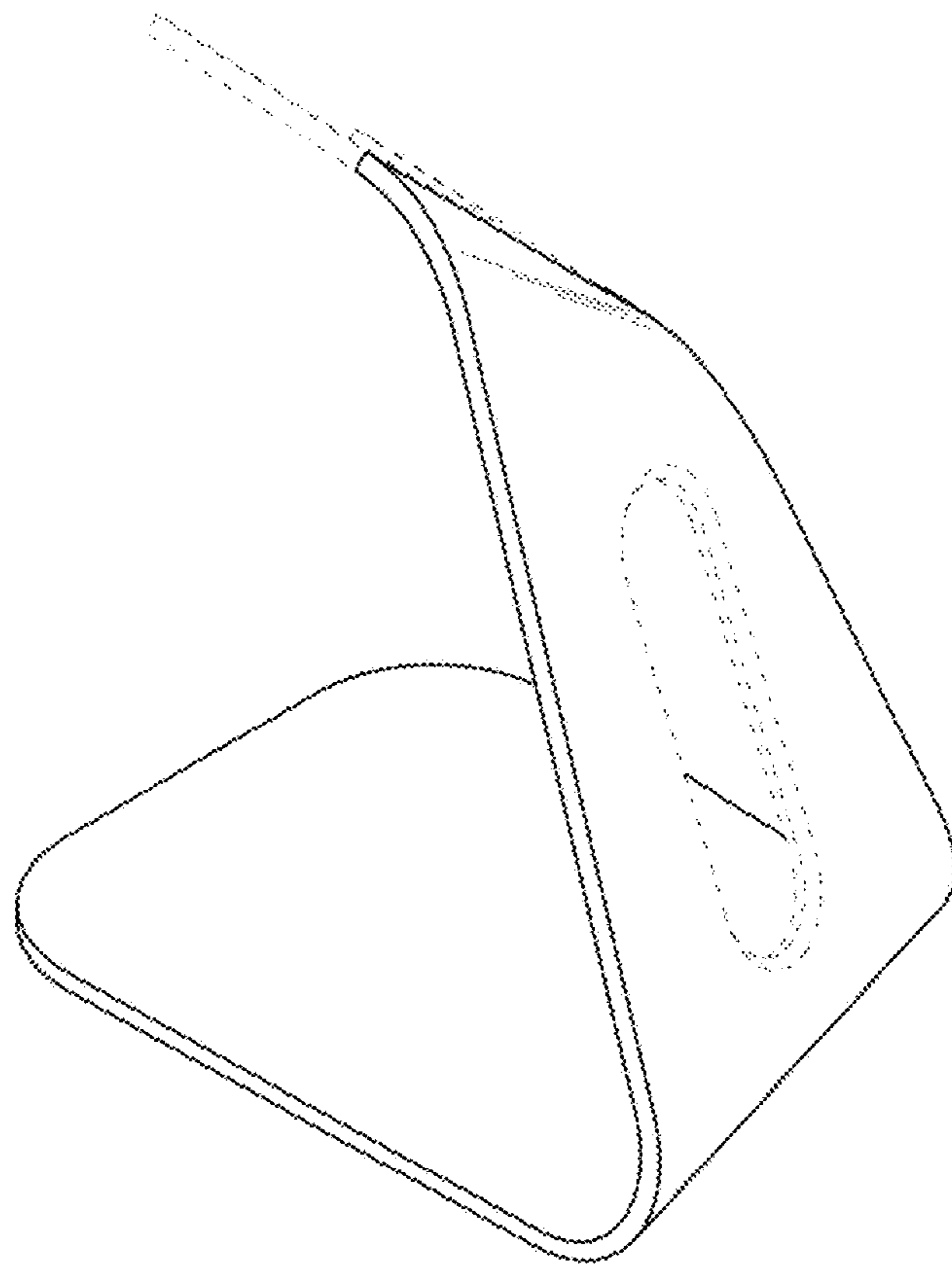


FIG. 11

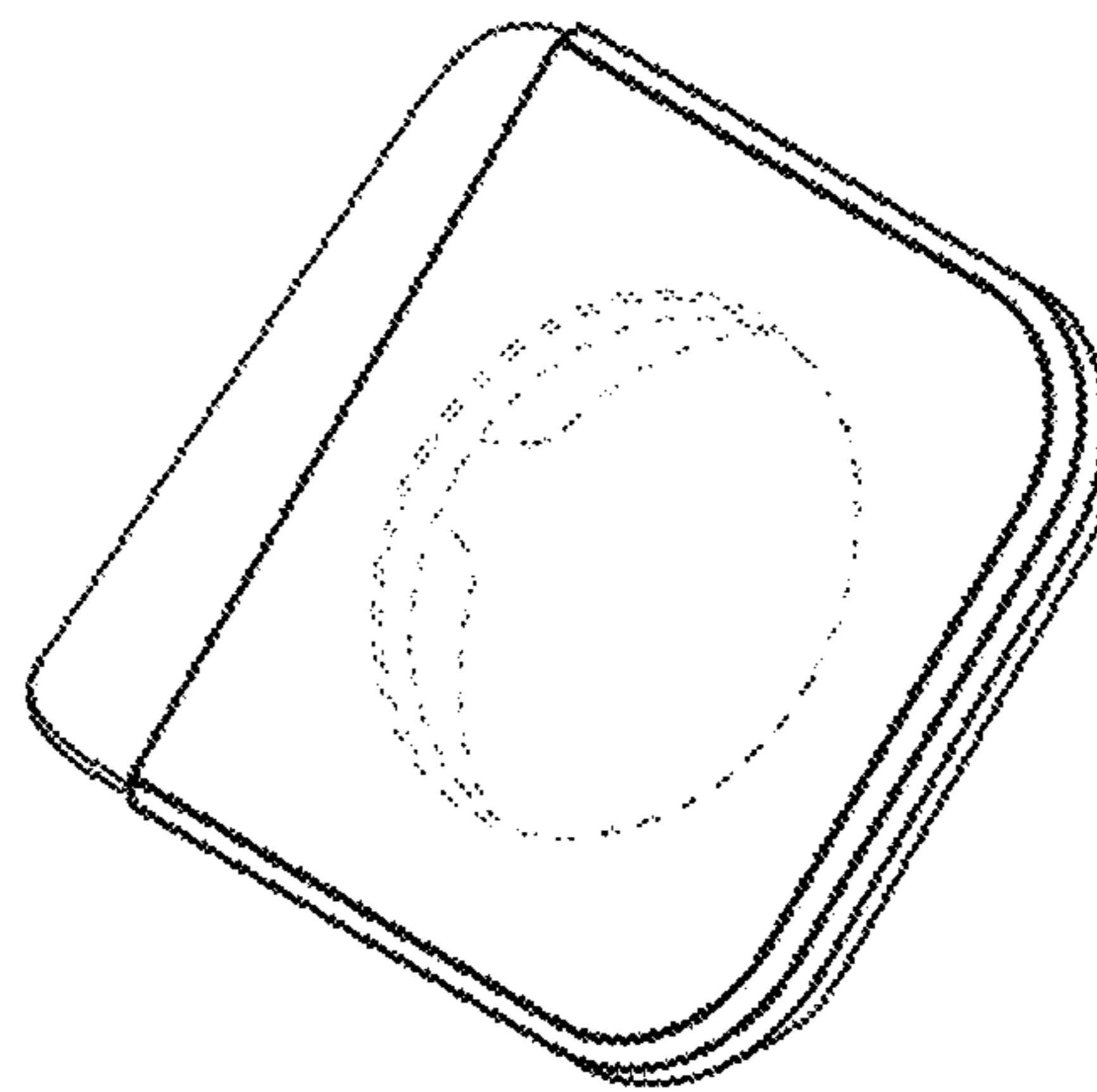


FIG. 12

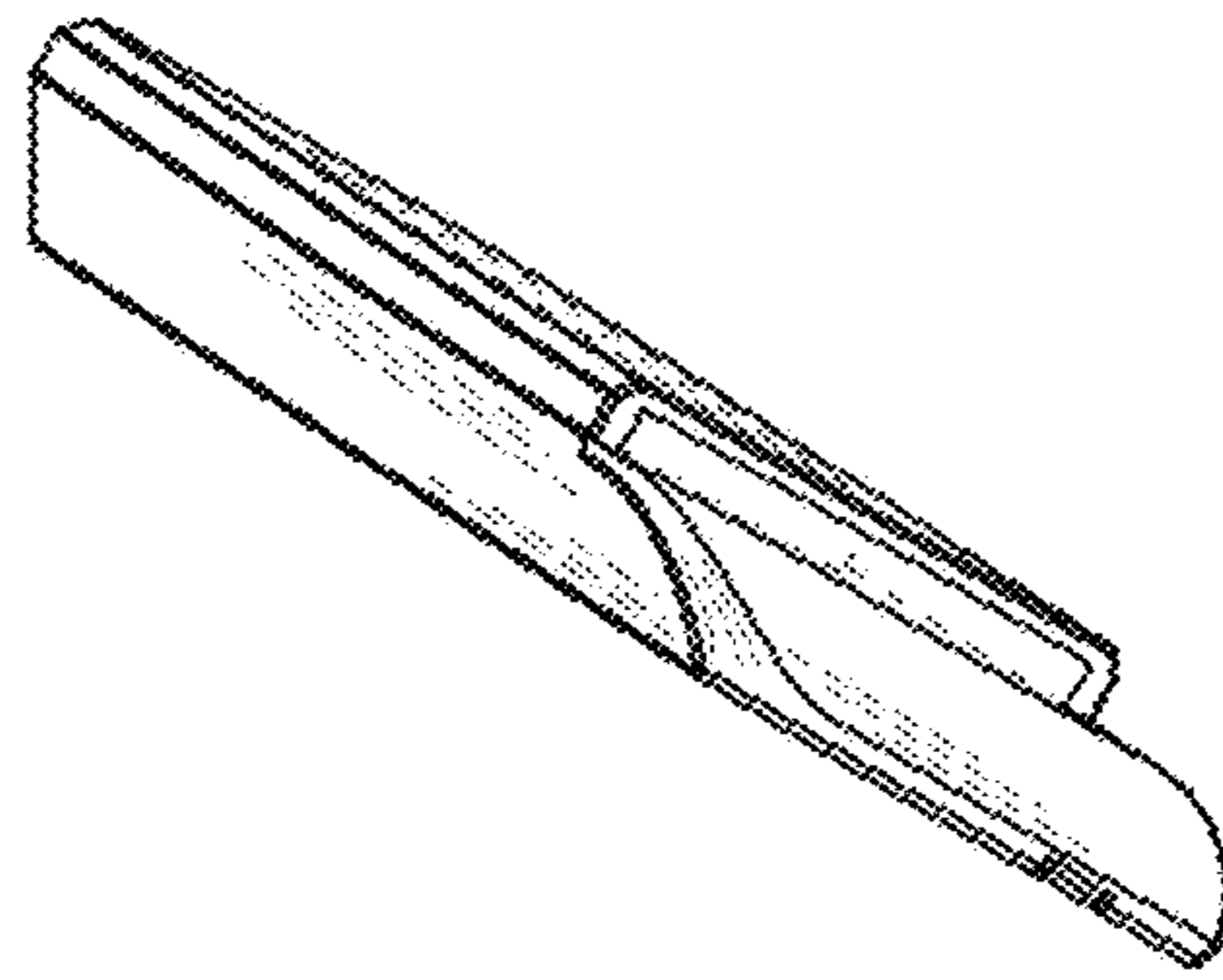


FIG. 13

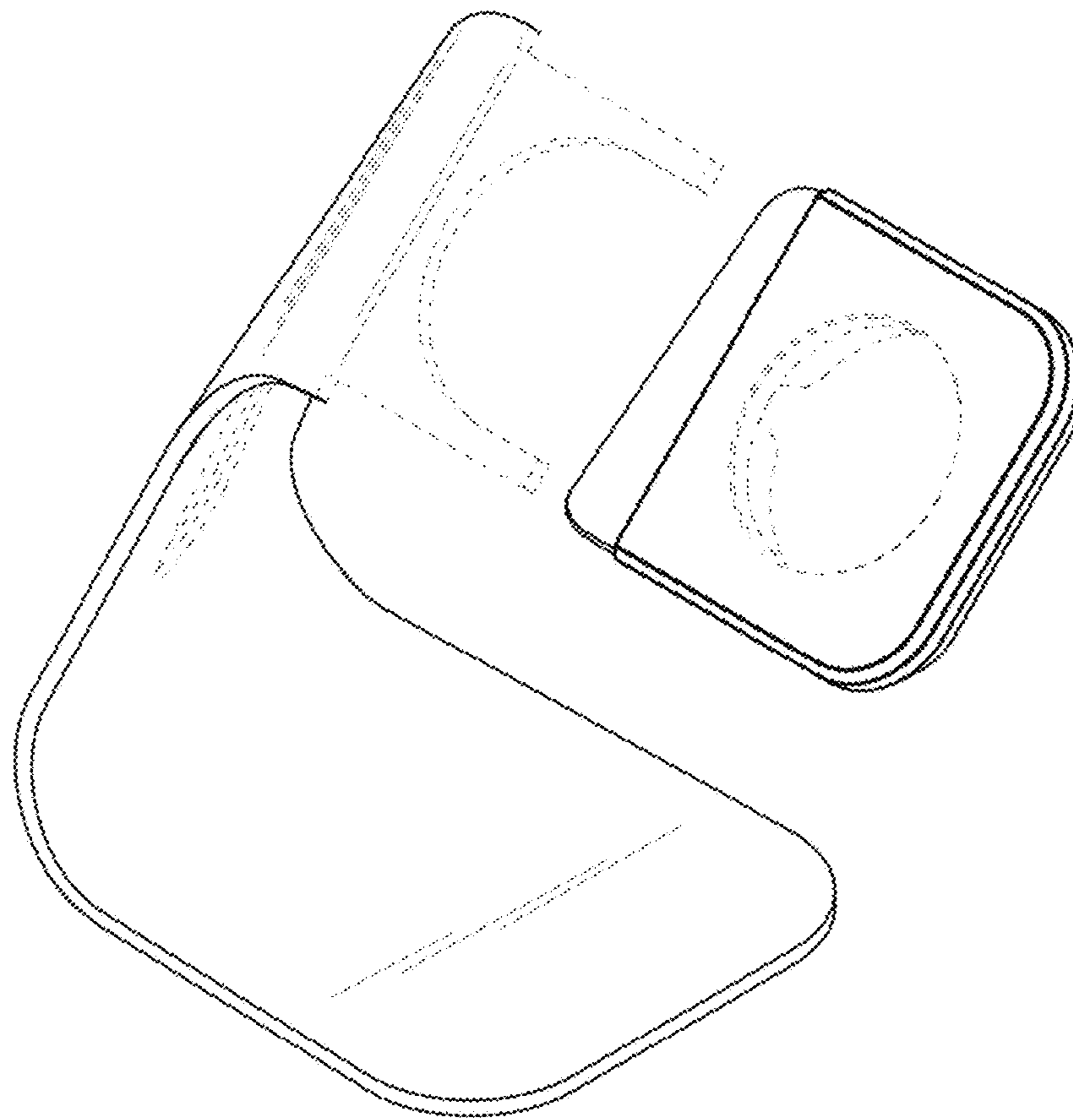


FIG. 14

