



US00D788761S

(12) **United States Design Patent** (10) **Patent No.:** **US D788,761 S**
Tompkin (45) **Date of Patent:** **** Jun. 6, 2017**

- (54) **PHONE DOCKING STATION**
- (71) Applicant: **MerchSource, LLC**, Irvine, CA (US)
- (72) Inventor: **Crispian Tompkin**, El Segundo, CA (US)
- (73) Assignee: **MerchSource, LLC**, Irvine, CA (US)
- (**) Term: **14 Years**
- (21) Appl. No.: **29/510,799**
- (22) Filed: **Dec. 3, 2014**
- (51) **LOC (10) Cl.** **14-03**
- (52) **U.S. Cl.**
USPC **D14/253**
- (58) **Field of Classification Search**
USPC D14/253, 251, 240, 217, 496, 440, 423,
D14/447, 439, 432, 300, 144; D8/381,
D8/323
CPC H04M 1/00; H04M 1/04; H04M 1/06;
H04M 1/11
See application file for complete search history.

(56) **References Cited**

U.S. PATENT DOCUMENTS

D608,336	S *	1/2010	Quiros	D14/149
D620,464	S *	7/2010	Quiros	D14/130
D671,935	S	12/2012	Mao		
D712,369	S *	9/2014	Yoshida	D14/142
D717,762	S *	11/2014	Jeon	D14/130
D738,845	S *	9/2015	Kwak	D14/151
9,258,398	B2 *	2/2016	Tamatsu	H04M 1/72527
2012/0155325	A1	6/2012	Eichen et al.		
2012/0155454	A1	6/2012	Eichen et al.		
2012/0157068	A1	6/2012	Eichen et al.		

OTHER PUBLICATIONS

Native Union; http://www.amazon.com/Native-Union-MM03I-BLK-ST-Blackberry-Smartphones/dp/B0079XKIVC/ref=sr_1_

3?s=wireless&ie=UTF8&qid=1354648908&sr=1-3
&keywords=iphone+dock+with+handset; printed from the Internet on Mar. 3, 2015; 6pp.
Native Union; http://www.amazon.com/Native-Union-Moshi-03i-Dock-white/dp/B008EREMFA/ref=sr_1_cc_1?s=aps&ie=UTF8&qid=1354649231&sr=1-1-catcorr
&keywords=iphone+dock+with+handset+native+union+moshi; printed from the Internet on Mar. 3, 2015; 3pp.
Pyle; <http://www.pyleaudio.com/sku/PITLBT30/Bluetooth-Wireless-Charging--Retro-Phone-Handset-with-iPod-Docking-Station-and-iTunes-Sync-For-iPhone-iPad-Andorid-and-Blackberry>; printed from the Internet on Mar. 3, 2015; 3pp.
iCreations; http://www.sophiesystems.com/creation-bluetooth-phone-bundle-with-with-dock.aspx?gclid=CJqQ-ICKjcQCFQWUfgodoB8A_g; printed from the Internet on Mar. 3, 2015; 2pp.

(Continued)

Primary Examiner — Cynthia Underwood
(74) *Attorney, Agent, or Firm* — Avyno Law P.C.

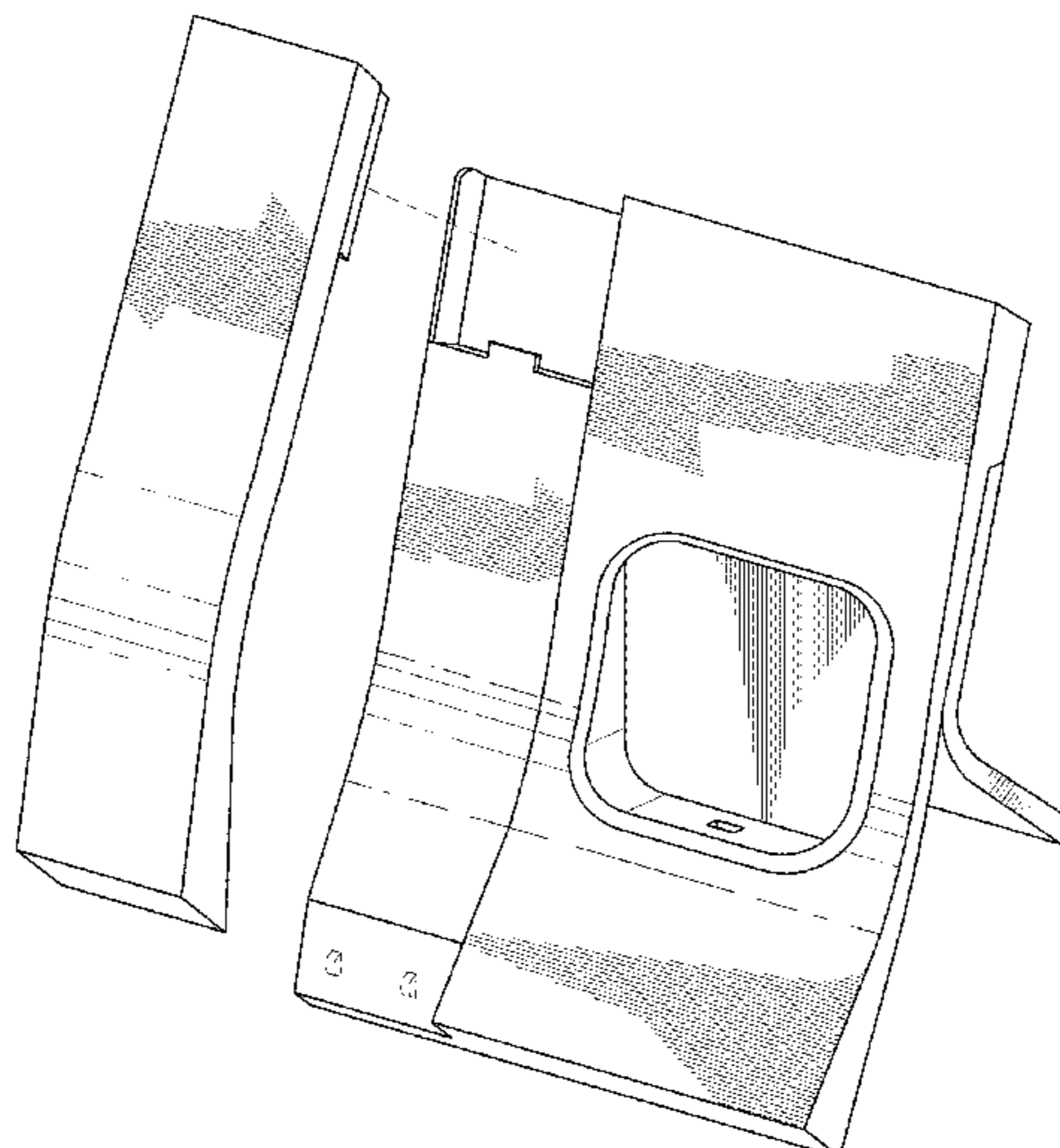
(57) **CLAIM**

I claim the ornamental design for a phone docking station, as shown and described.

DESCRIPTION

FIG. 1 is a perspective view of a phone docking station.
FIG. 2 is a front elevation view of the phone docking station of FIG. 1.
FIG. 3 is rear view of the phone docking station of FIG. 1.
FIG. 4 is a side view of the right side of the phone docking station of FIG. 1.
FIG. 5 is a side view of the left side of the phone docking station of FIG. 1.
FIG. 6 is a top view of the phone docking station of FIG. 1.
FIG. 7 is a bottom view of the phone docking station of FIG. 1; and,
FIG. 8 is an alternate perspective view of a phone docking station of FIG. 1 showing the handset apart from the docking station.
The broken lines shown depict environmental subject matter and form no part of the claimed design.

1 Claim, 8 Drawing Sheets



(56)

References Cited

OTHER PUBLICATIONS

Good Call; <http://www.amazon.com/Good-Call-Bluetooth-Wireless-Handset/dp/B008QZTOLM>; printed from the Internet on Mar. 3, 2015; 5pp.

Hype; http://www.drugstore.com/products/prod.asp?pid=459064&catid=283116&aid=338666&aparam=goobase_filler; printed from the Internet on Mar. 3, 2015; 6pp.

I Retrofone; http://www.amazon.com/Retrofone-Charger-IPhone-Bluetooth-Black/dp/B0068QHHWO/ref=pd_sim_sbs_misc_1; printed from the Internet on Mar. 3, 2015; 6pp.

* cited by examiner

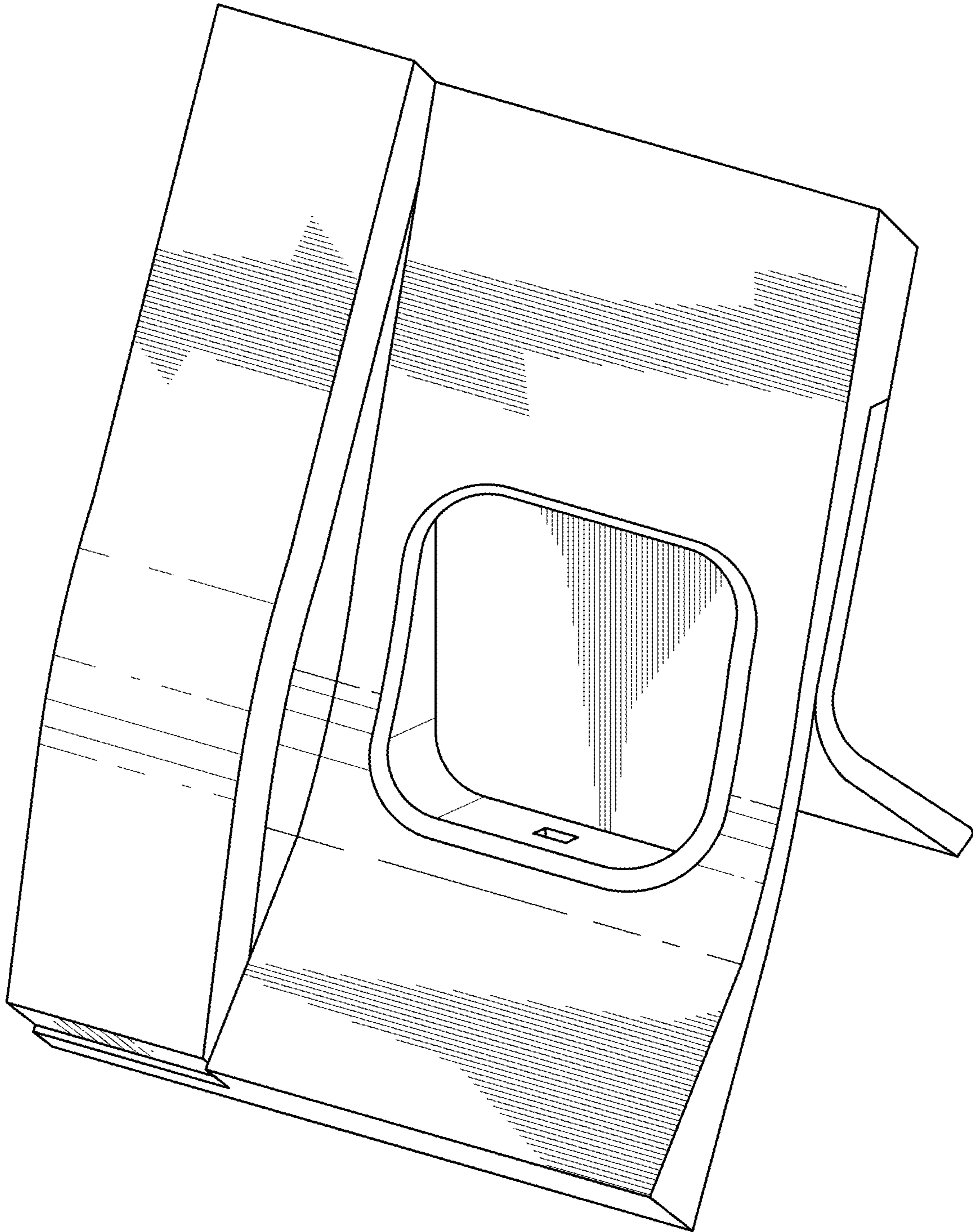


FIG. 1

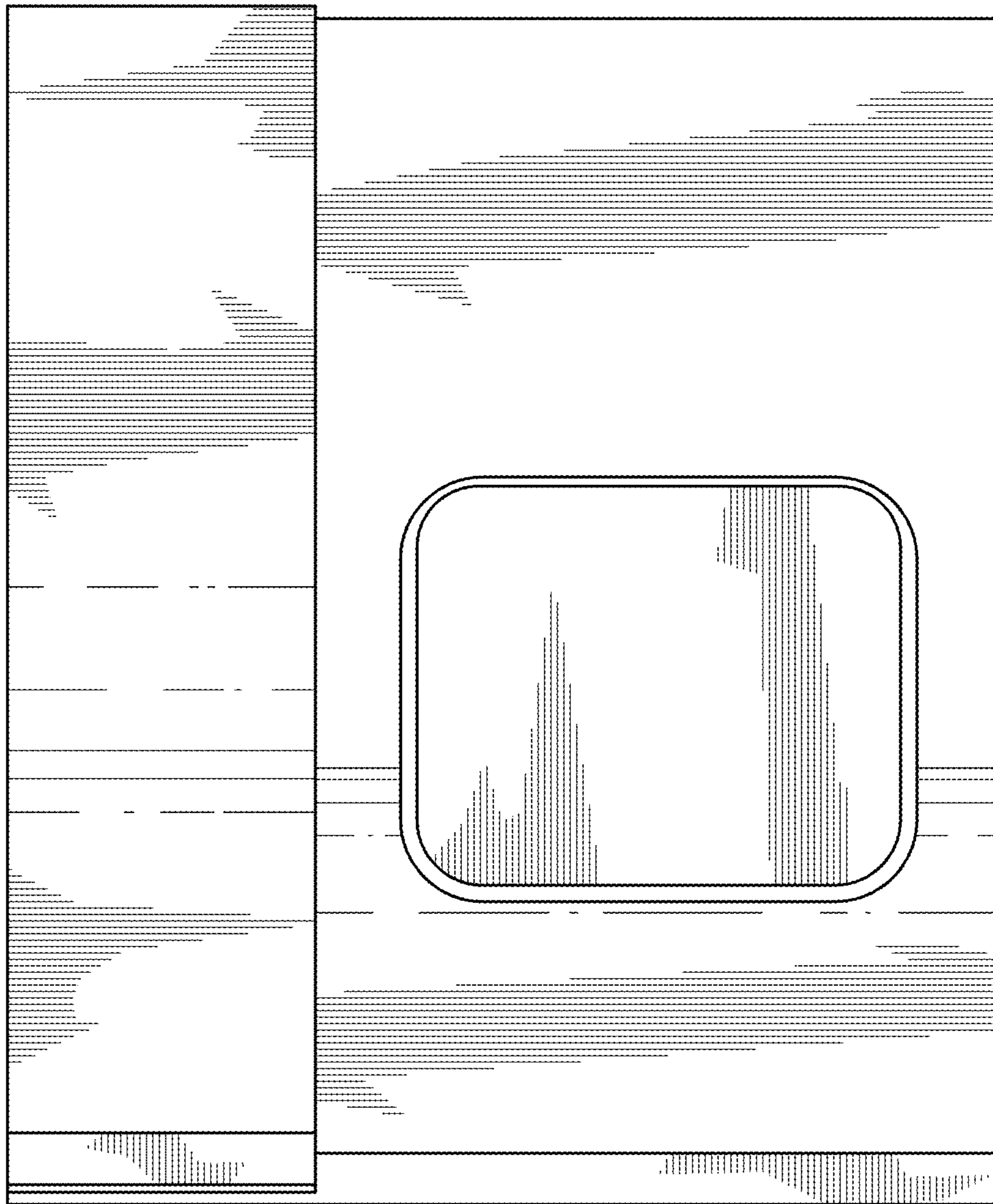


FIG. 2

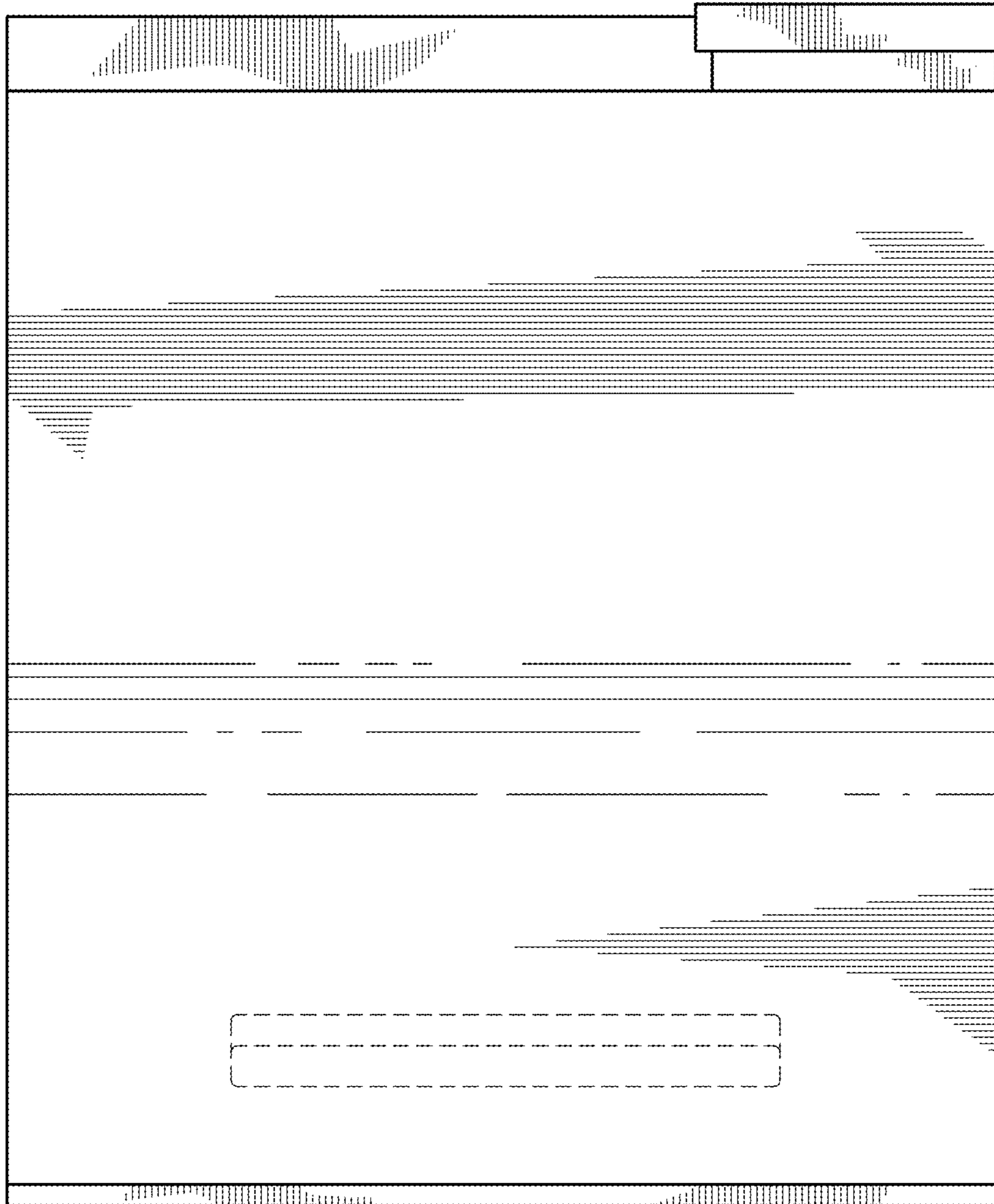


FIG. 3

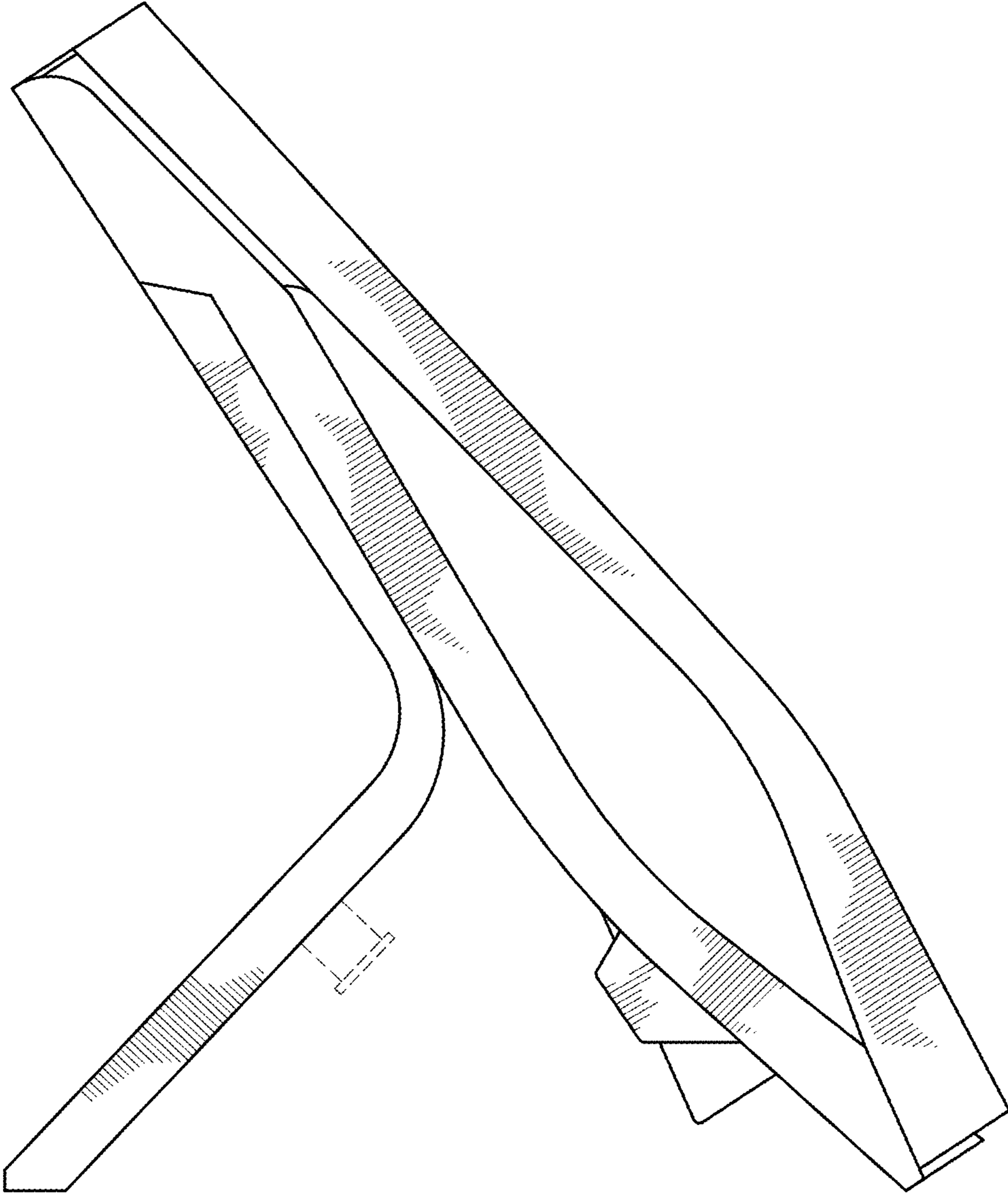


FIG. 4

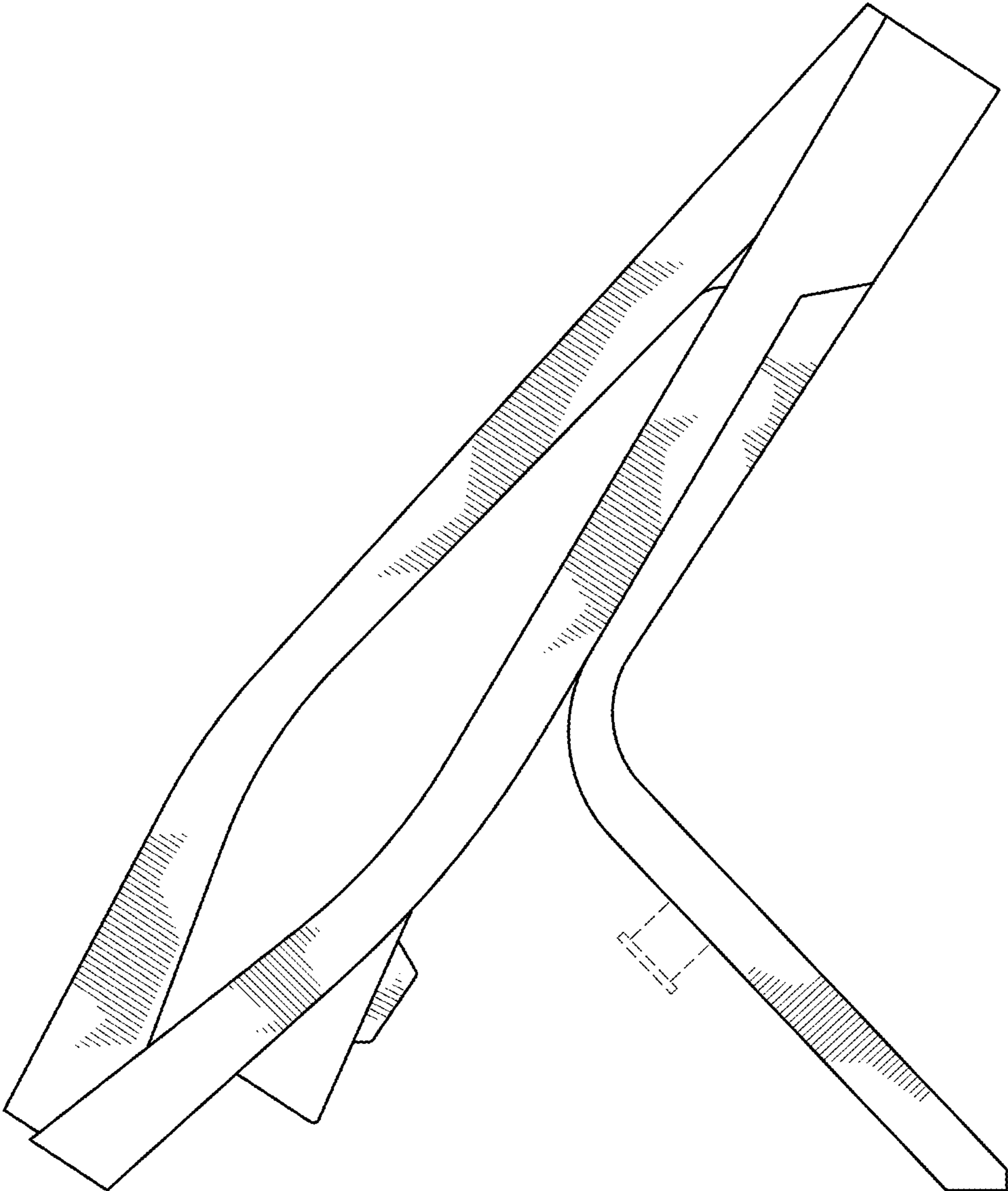


FIG. 5

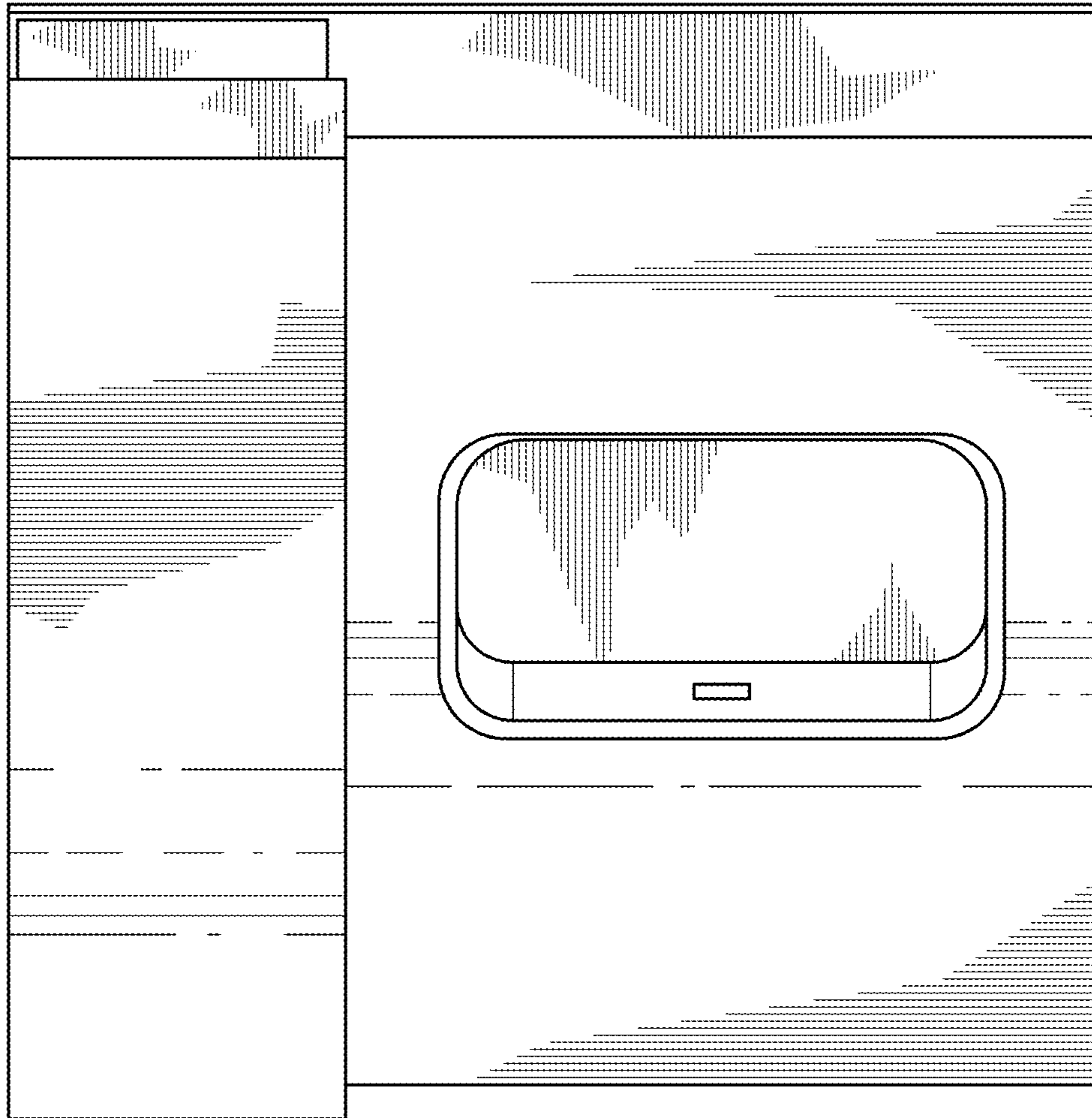


FIG. 6

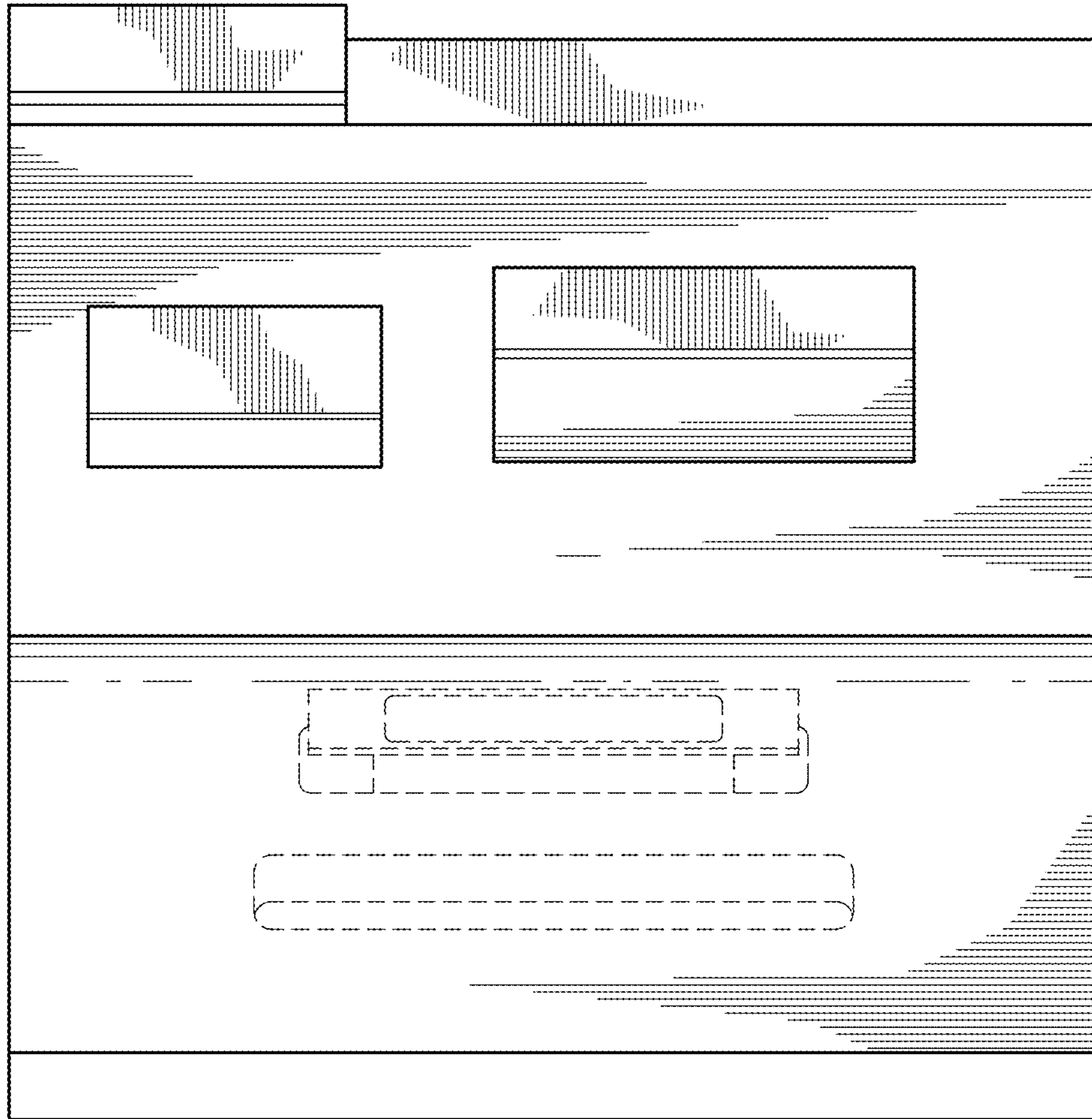


FIG. 7

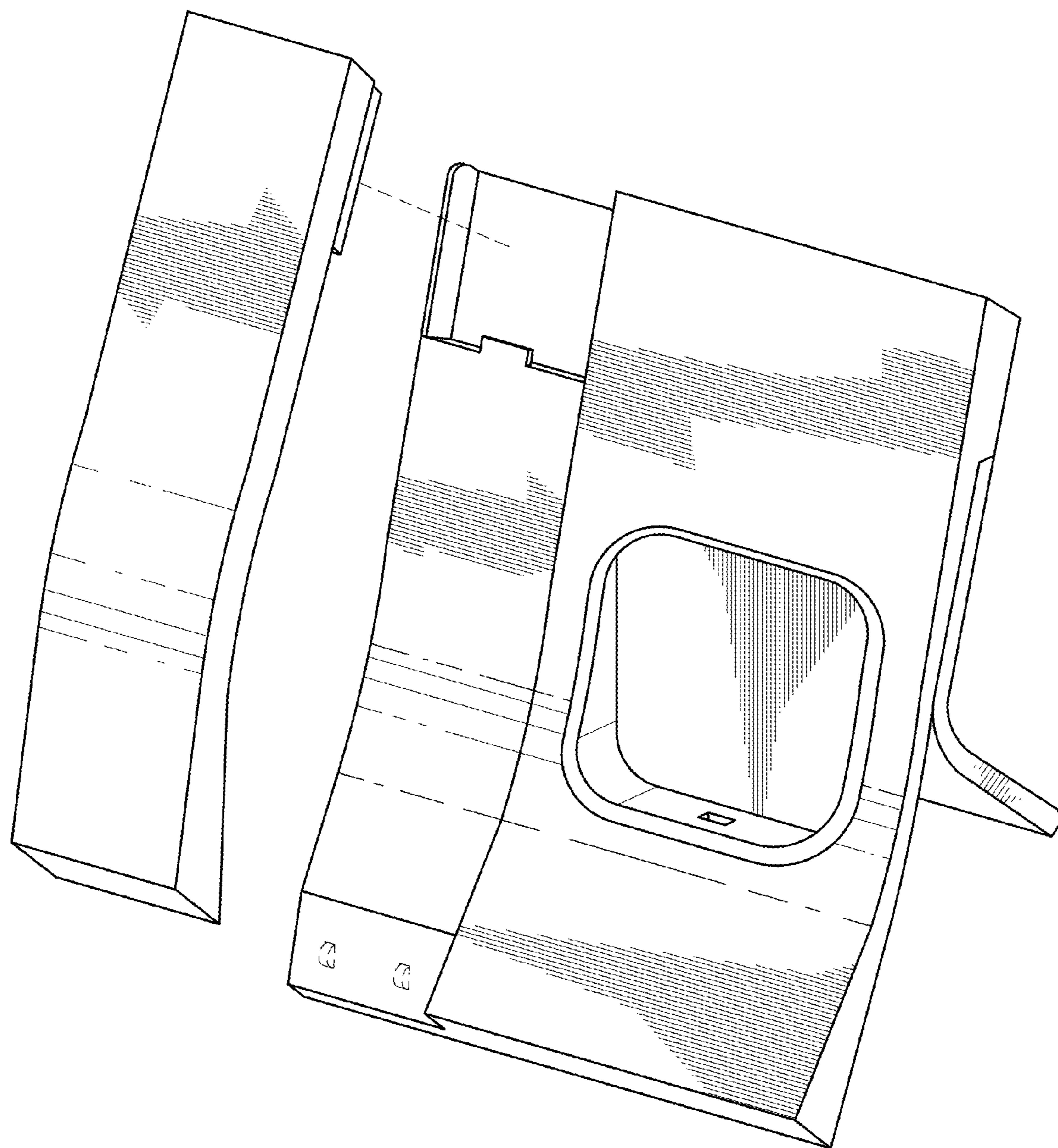


FIG. 8