



US00D788758S

(12) **United States Design Patent**
Liu

(10) **Patent No.:** **US D788,758 S**

(45) **Date of Patent:** **** Jun. 6, 2017**

(54) **COVER HAVING CLEAR BACK**

(71) Applicant: **GoDirectInc.com, Inc.**, Chino, CA
(US)

(72) Inventor: **Warren Liu**, Chino, CA (US)

(73) Assignee: **GoDirectInc.com, Inc.**, Chino, CA
(US)

(**) Term: **15 Years**

(21) Appl. No.: **29/530,557**

(22) Filed: **Jun. 17, 2015**

(51) **LOC (10) Cl.** **14-03**

(52) **U.S. Cl.**
USPC **D14/250**

(58) **Field of Classification Search**

USPC D14/250, 341-347, 130, 138 C, 138 G,
D14/138 R, 138 AA, 147, 203.1, 203.3,
D14/203.7, 204.4, 218, 248
CPC A45C 1/06; A45C 11/00; A45C 2011/002;
A45F 2200/0525; A45F 2200/0516; A45F
5/02; G06F 1/165; G06F 1/1613; G06F
1/1624; G06F 1/1626; G06F 3/0485;
G06F 3/0488; G06F 1/1632; G06F
1/1607; G06F 1/1628; H04B 1/3888;
H04B 1/00; H04B 1/3883; H04M 1/0202;
H04M 1/0283; H04M 1/185; H04M 1/00;
H04M 1/0214; H04M 1/035; H04M 1/04;
H01M 10/46; H01M 2/1022; H05K
5/0217; H05K 5/03; H05K 7/00; H05K
5/0086; B29C 45/1676; H02J 7/00; H04Q
7/32; B65D 85/00; B65D 19/00; G03B
17/02

See application file for complete search history.

(56) **References Cited**

U.S. PATENT DOCUMENTS

D355,165 S * 2/1995 Sakaguchi D14/345
6,471,056 B1 * 10/2002 Tzeng A45C 11/00
150/154

D624,064 S * 9/2010 Esposito D14/250
D644,218 S * 8/2011 Akana D14/250
D669,054 S * 10/2012 Han D14/138 G
D669,458 S * 10/2012 Wilson D14/250
D671,109 S * 11/2012 Rothbaum D14/250
D677,249 S * 3/2013 Li D14/250
D687,802 S * 8/2013 Jeong D14/138 G
D696,234 S * 12/2013 Wright D14/250
D740,798 S * 10/2015 Poon D14/250
2009/0111543 A1 * 4/2009 Tai H04M 1/0283
455/575.8
2010/0203931 A1 * 8/2010 Hynecsek A45C 11/00
455/575.8

* cited by examiner

Primary Examiner — Freda S Nunn

(74) *Attorney, Agent, or Firm* — Amin, Turocy & Watson,
LLP

(57) **CLAIM**

The ornamental design for cover having clear back, as
shown and described.

DESCRIPTION

FIG. 1 is a rear perspective view of a cover having clear back
showing my new design.

FIG. 2 is a front perspective view thereof.

FIG. 3 is a front view thereof.

FIG. 4 is a rear view thereof.

FIG. 5 is a bottom plan view thereof.

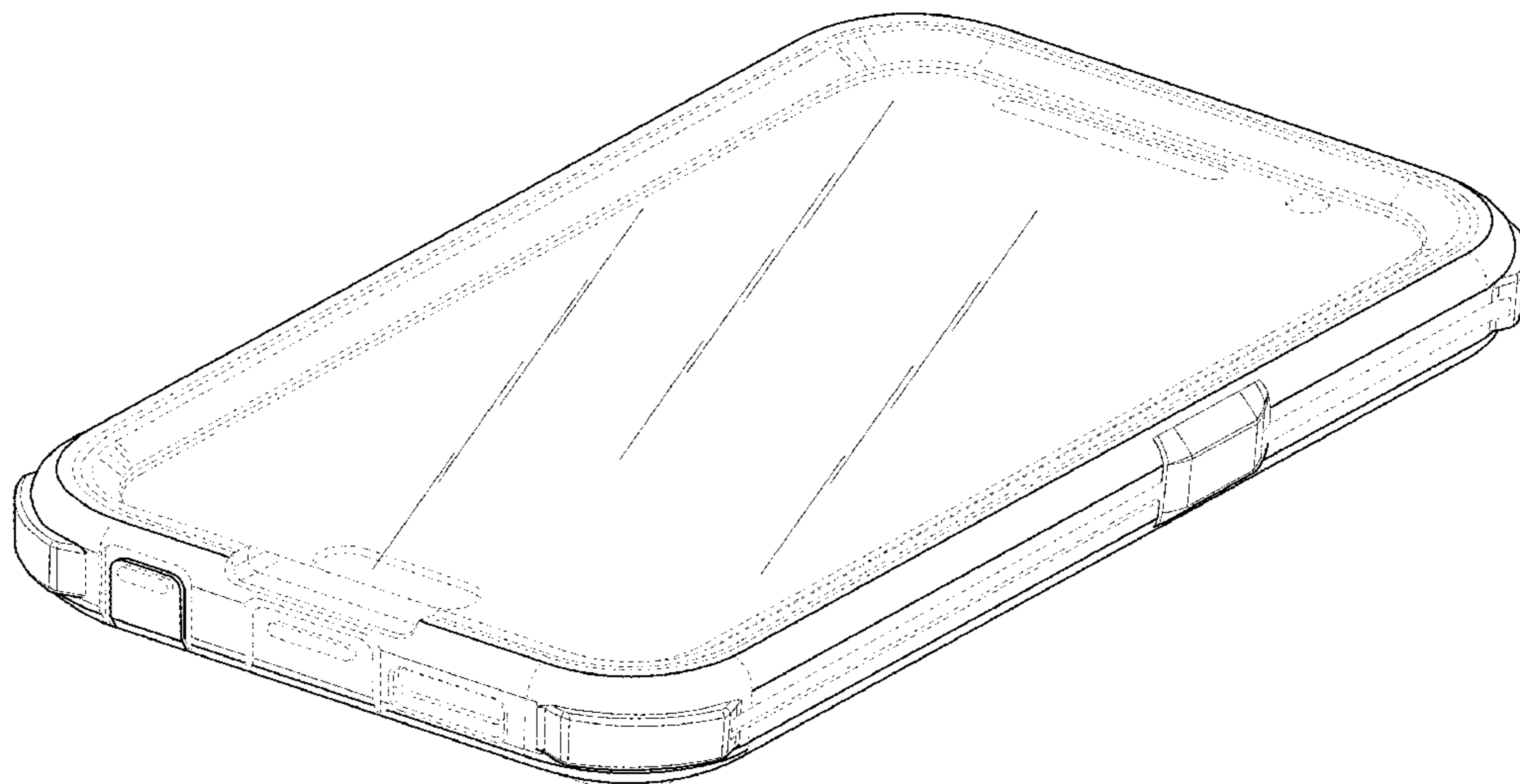
FIG. 6 is a top plan view thereof.

FIG. 7 is a left side view thereof; and,

FIG. 8 is a right side view thereof.

Broken lines shown in the drawings represent environment
only and form no part of the claimed design.

1 Claim, 8 Drawing Sheets



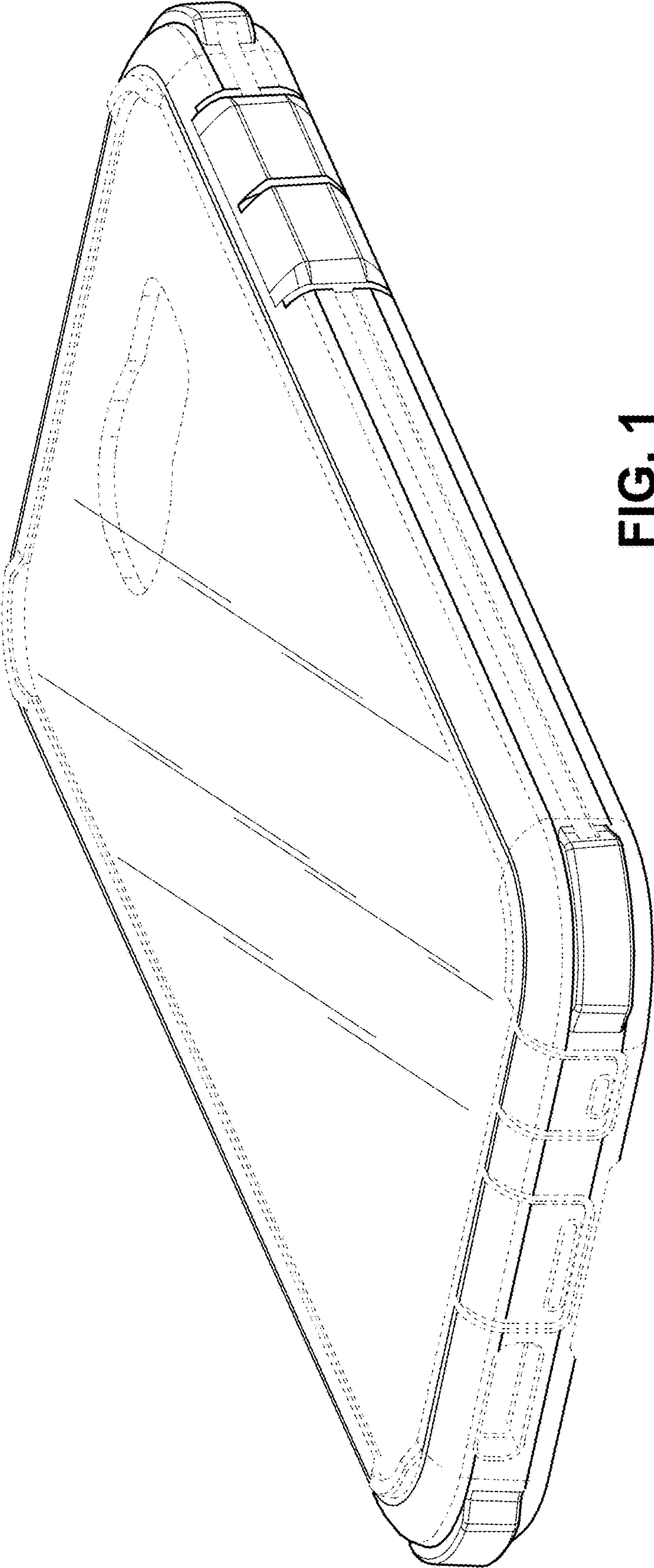


FIG. 1

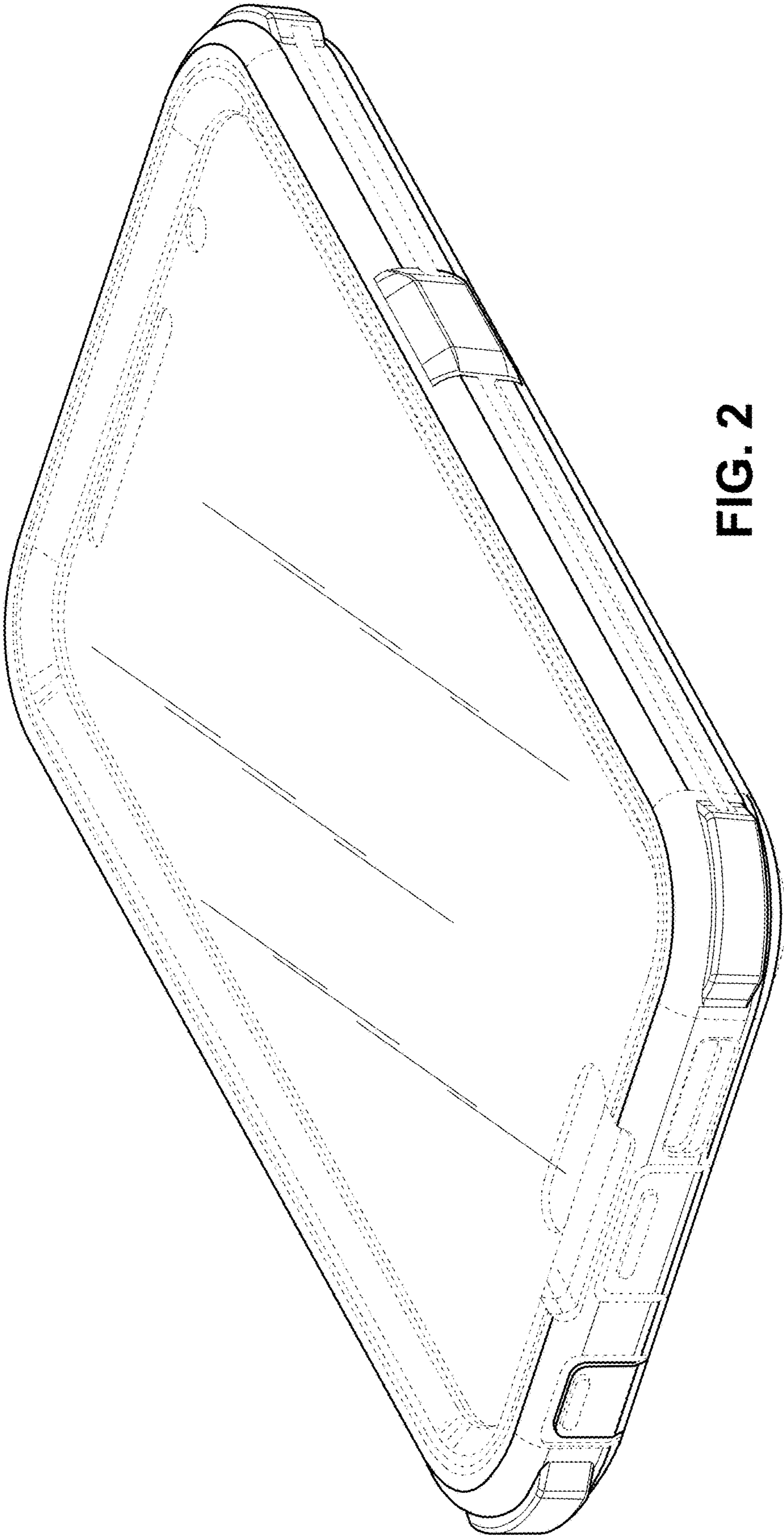


FIG. 2

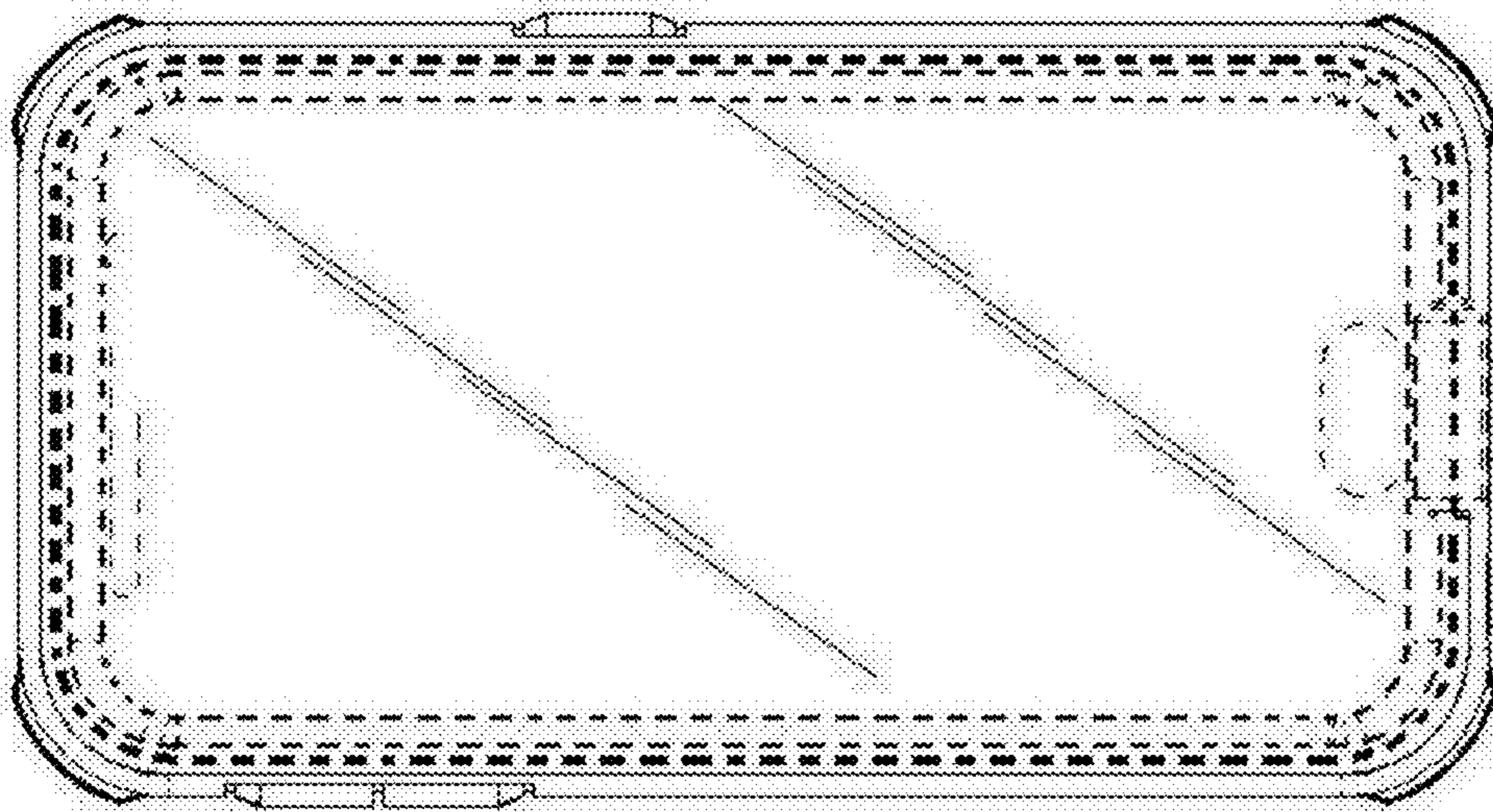


FIG. 3

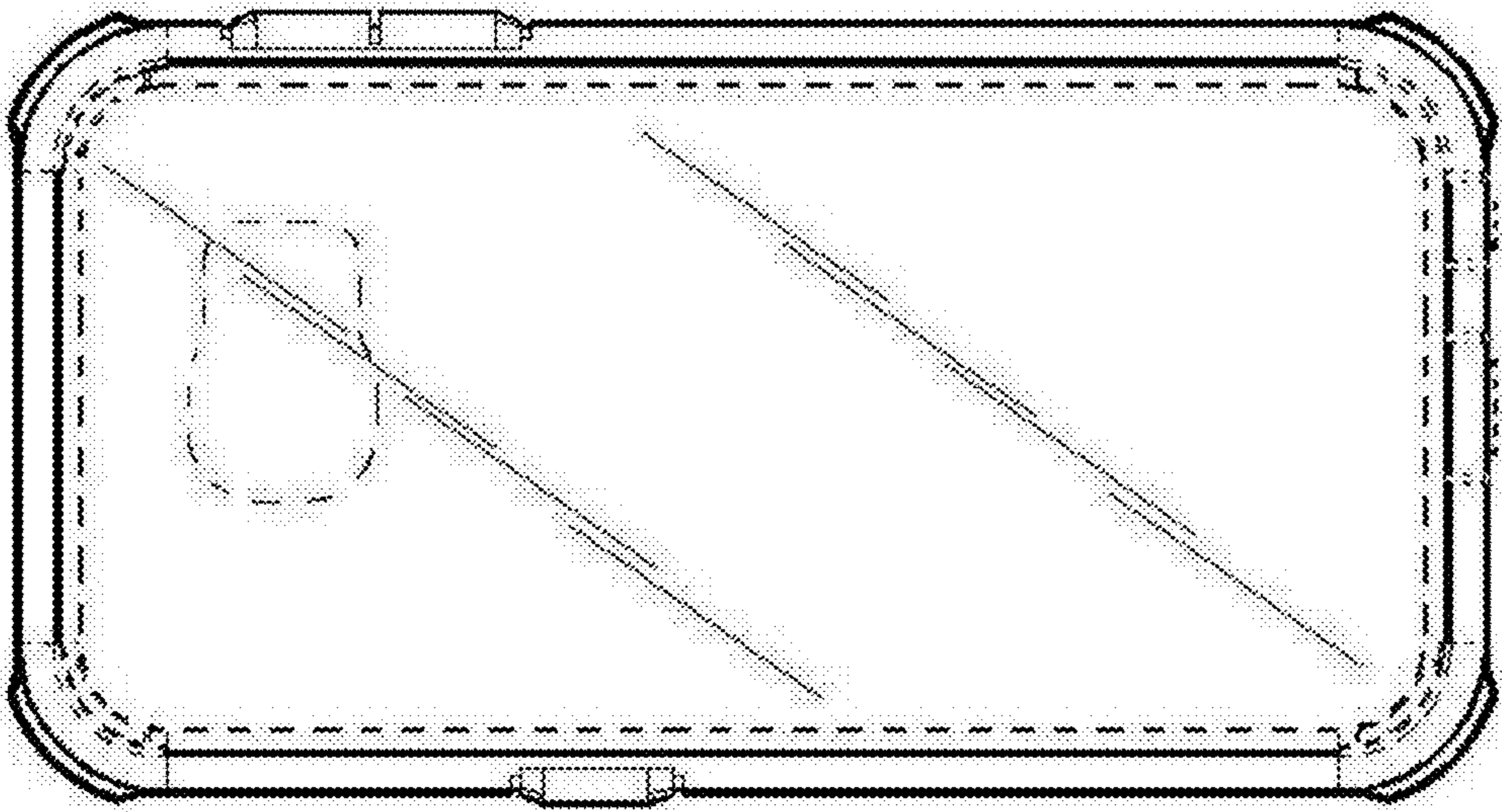


FIG. 4

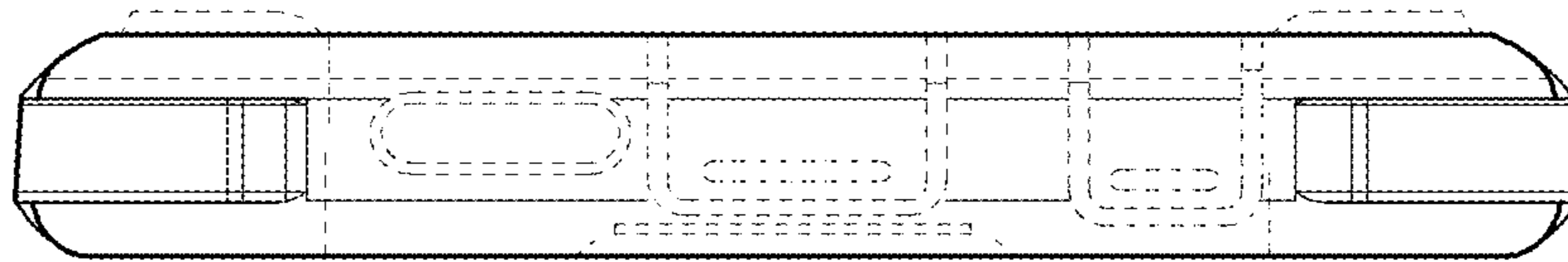


FIG. 5

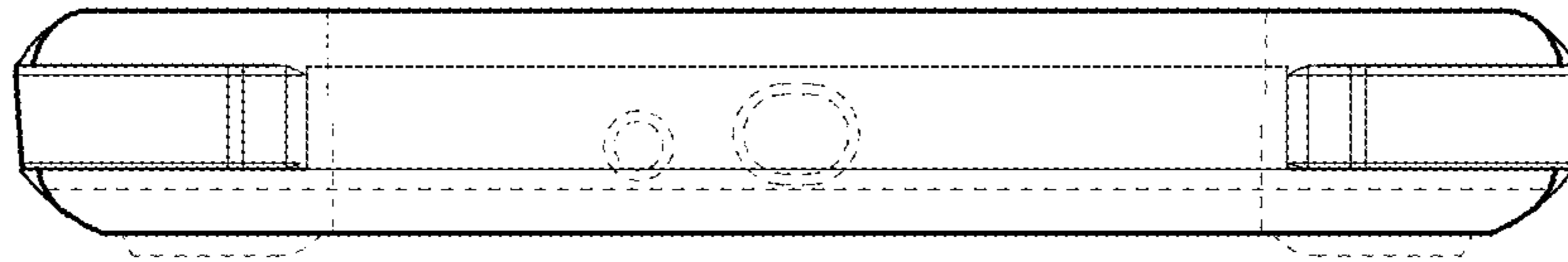


FIG. 6

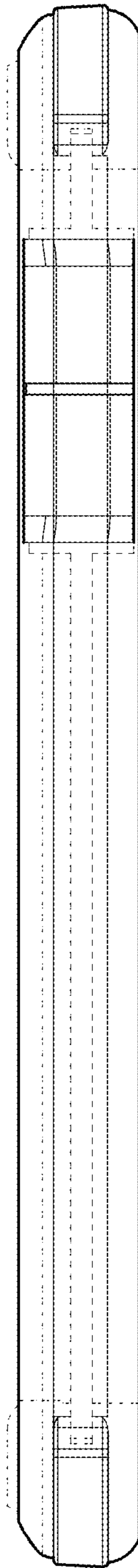


FIG. 7

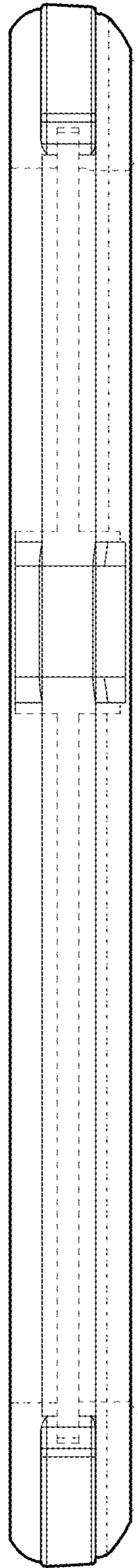


FIG. 8