



US00D788754S

(12) **United States Design Patent**
Kim

(10) **Patent No.:** **US D788,754 S**
(45) **Date of Patent:** **** Jun. 6, 2017**

- (54) **ELECTRONIC DEVICE**
- (71) Applicant: **Samsung Electronics Co., Ltd.**,
Suwon-si (KR)
- (72) Inventor: **Sung-Kwon Kim**, Seoul (KR)
- (73) Assignee: **SAMSUNG ELECTRONICS CO., LTD.**, Suwon-si (KR)
- (**) Term: **15 Years**
- (21) Appl. No.: **29/544,521**
- (22) Filed: **Nov. 4, 2015**
- (30) **Foreign Application Priority Data**
May 8, 2015 (KR) 30-2015-0023637
- (51) **LOC (10) Cl.** **14-03**
- (52) **U.S. Cl.**
USPC **D14/248**
- (58) **Field of Classification Search**
USPC D14/138 G, 138 AD, 138 C, 138 AC,
D14/138 R, 138 AA, 203.7, 203.3, 203.1,
D14/248, 250, 341, 496, 204, 209, 209.1,
D14/210, 211, 212, 123, 215, 216, 219,
D14/221, 137; D16/200, 217; D10/123,
D10/124, 125; D23/213
CPC G06F 1/1626; G06F 1/1652; H04M 1/027;
H04M 1/0202; H04M 1/0279; H04M
1/0235; H04M 1/0237; H04M 1/0239;
H04M 1/0266; H04M 1/0268; H04M
1/029; H05K 5/0217
See application file for complete search history.

(56) **References Cited**

U.S. PATENT DOCUMENTS

- 705,076 A * 7/1902 Hall H05B 3/0004
204/294
- D40,662 S * 4/1910 Williams D10/125
- 2,552,236 A * 5/1951 Trane F24F 13/062
416/236 R

- D197,716 S * 3/1964 Boldt et al. D14/216
 - D232,440 S * 8/1974 Yanagawa D14/216
 - 3,844,105 A * 10/1974 Kashio G04G 9/06
368/82
 - D251,664 S * 4/1979 Dusanek 381/191
 - D299,316 S * 1/1989 Vickery D10/126
- (Continued)

OTHER PUBLICATIONS

Microsoft Lumia 950 pictures, official photos, Nov. 2015, [online], [site visited Jan. 18, 2017]. Retrieved from <url:http://www.gsmarena.com/microsoft_lumia_950-pictures-7262.php>.*

Primary Examiner — Jeffrey D Asch
Assistant Examiner — Tracey J Bell
(74) *Attorney, Agent, or Firm* — McAndrews Held & Malloy, Ltd.

(57) **CLAIM**

The ornamental design for an electronic device, as shown and described.

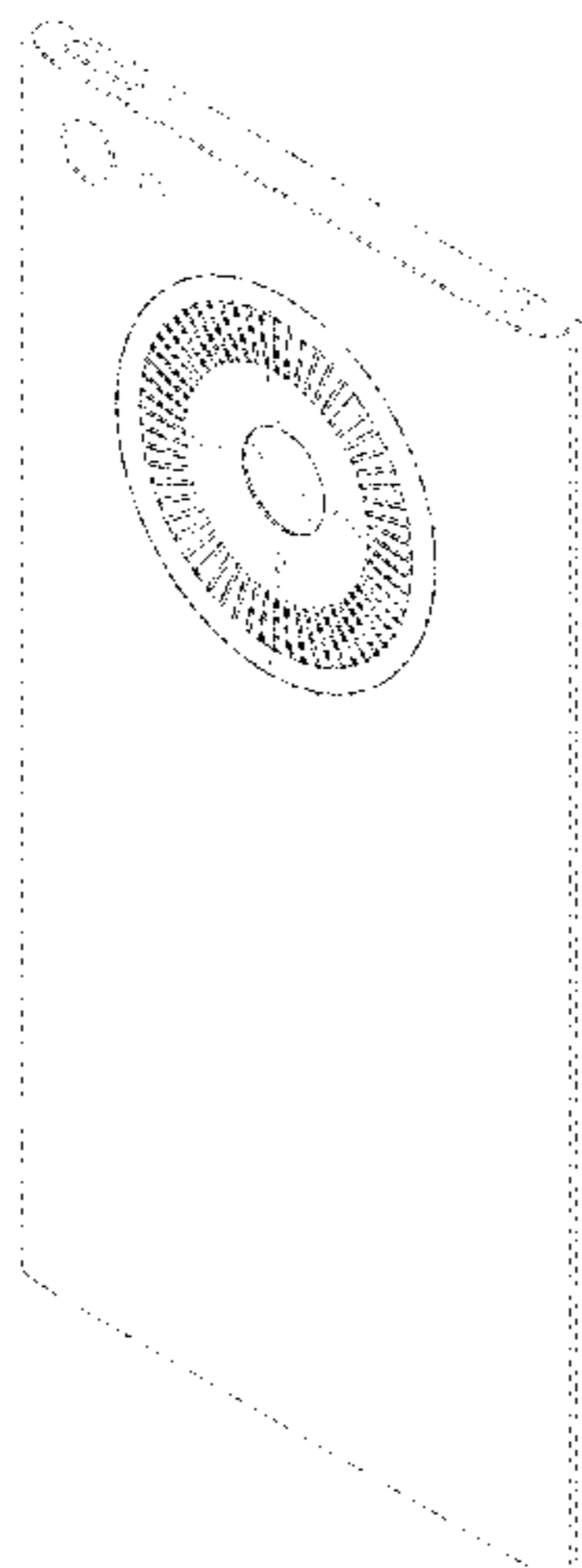
DESCRIPTION

FIG. 1 is a rear perspective view of my new design for an electronic device;
 FIG. 2 is a rear elevation view thereof;
 FIG. 3 is a front elevation view thereof;
 FIG. 4 is a right-side elevation view thereof;
 FIG. 5 is a left-side elevation view thereof;
 FIG. 6 is a top plan view thereof;
 FIG. 7 is a bottom plan view thereof; and,
 FIG. 8 is an enlarged rear perspective view of a portion of FIG. 1.

The even length dashed broken lines in the figures illustrate portions of the electronic device that form no part of the claimed design.

The uneven length dot-dash broken lines in the figures represent an unclaimed boundary line and form no part of the claimed design.

1 Claim, 6 Drawing Sheets



(56)

References Cited

U.S. PATENT DOCUMENTS

D322,415 S * 12/1991 Ritchie D10/126
D524,277 S * 7/2006 Surtouc D14/138 AA
D540,770 S * 4/2007 Park D14/138 AB
D545,713 S * 7/2007 Waldman D10/125
D548,210 S * 8/2007 Lewis D14/138 AB
D576,990 S * 9/2008 Han D14/138 AA
D589,924 S * 4/2009 Jung D14/138 AD
D593,059 S * 5/2009 Kim D14/138 G
D636,751 S * 4/2011 Lee D14/138 AD
D697,887 S * 1/2014 Yin D14/138 G
D735,703 S * 8/2015 Reivo D14/248
D749,433 S * 2/2016 Duval D10/125
2012/0154887 A1 * 6/2012 Kim G02B 1/116
359/230
2015/0185771 A1 * 7/2015 Clark H02K 7/1861
320/137

* cited by examiner

FIG. 1

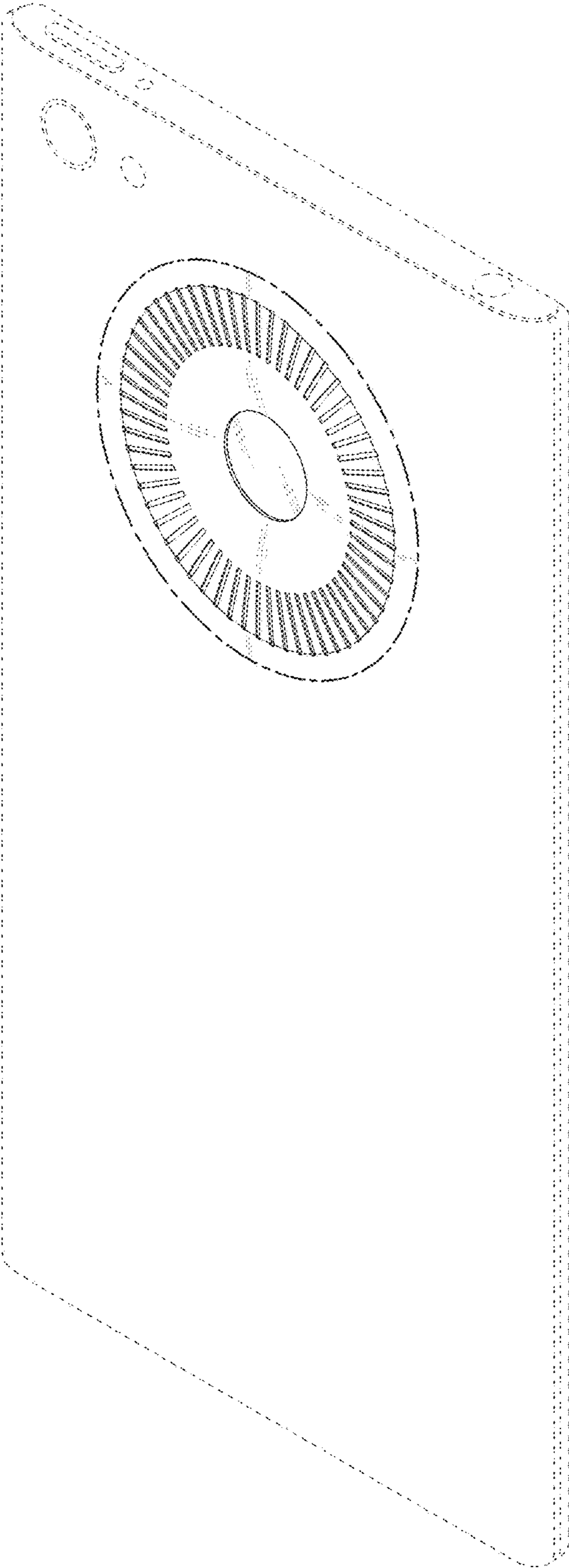


FIG. 2

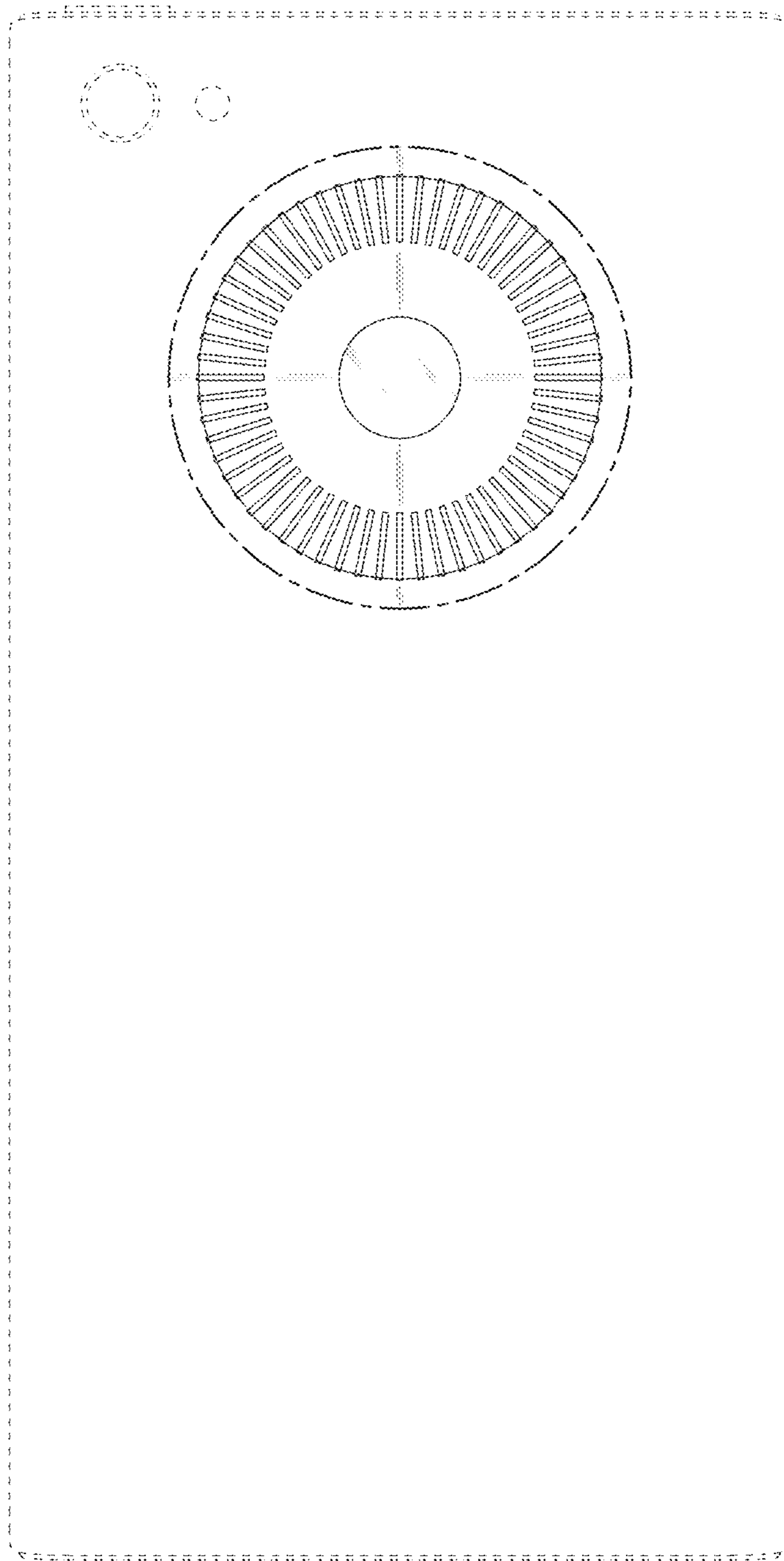


FIG. 3



FIG. 4

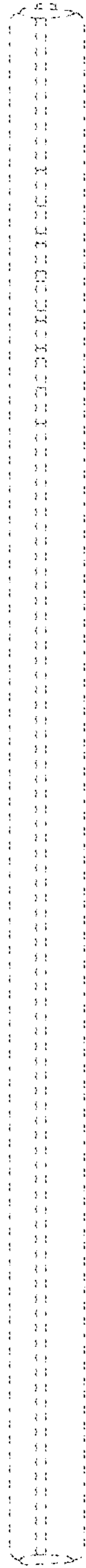


FIG. 5

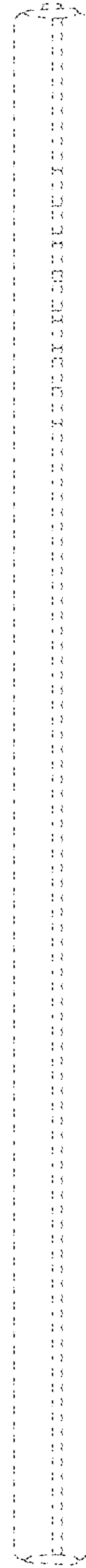


FIG. 6

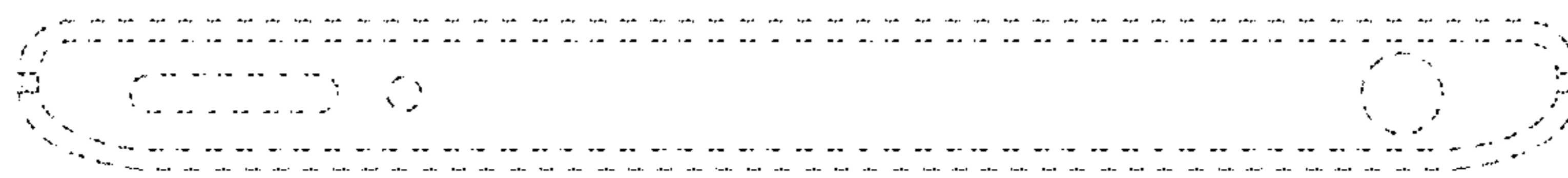


FIG. 7

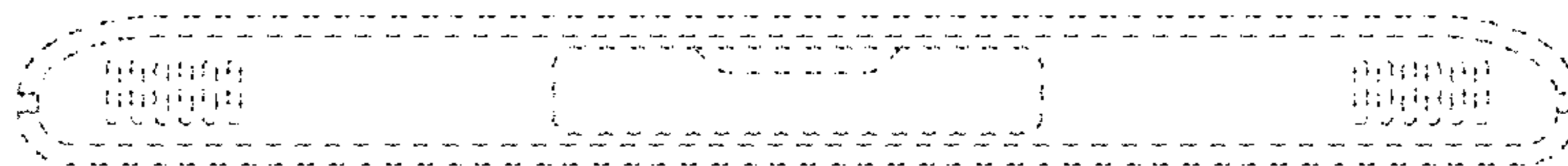


FIG. 8

