



US00D788750S

(12) **United States Design Patent**
Choi et al.

(10) **Patent No.:** **US D788,750 S**
(45) **Date of Patent:** **** Jun. 6, 2017**

(54) **STAND FOR TELEVISION RECEIVER**

(71) Applicant: **Samsung Electronics Co., Ltd.**,
Suwon-si, Gyeonggi-do (KR)

(72) Inventors: **Su-An Choi**, Seoul (KR); **Sang-Yong Park**,
Bucheon-si (KR)

(73) Assignee: **SAMSUNG ELECTRONICS CO., LTD.**,
Gyeonggi-Do (KR)

(**) Term: **15 Years**

(21) Appl. No.: **29/564,528**

(22) Filed: **May 13, 2016**

(30) **Foreign Application Priority Data**

Nov. 16, 2015 (KR) 30-2015-0057637

(51) **LOC (10) Cl.** **14-03**

(52) **U.S. Cl.**
USPC **D14/239**

(58) **Field of Classification Search**

USPC D14/125-134, 239, 371, 136, 374-377,
D14/440, 450, 448, 336, 342, 159;
312/7.2; 348/836, 838, 180, 184, 325,
348/739; 248/917-924, 465; 345/104,
345/133, 156, 168, 87, 173; D21/329,
D21/515, 577, 622, 333, 433, 448, 452,
D21/450, 331, 505; D10/15, 26;
446/484, 175, 356; D6/477, 479, 300;
D24/185; D34/14

CPC ... G06F 1/1601; G06F 1/1643; H05K 5/0004;
H05K 5/0017; H05K 5/02; H05K 5/0217

See application file for complete search history.

(56) **References Cited**

U.S. PATENT DOCUMENTS

D662,906 S * 7/2012 Chiu D14/126
D665,760 S 8/2012 Chiu

D680,508 S * 4/2013 Kim D14/126
D683,337 S * 5/2013 Kim D14/239
D699,699 S * 2/2014 Park D14/126
D708,596 S * 7/2014 Park D14/126
D709,470 S * 7/2014 Ryu D14/126
D714,757 S * 10/2014 Lee D14/209.1
D716,245 S * 10/2014 Kim D14/126
D721,713 S * 1/2015 Ko D14/451
D723,528 S * 3/2015 Choi D14/239
D726,666 S * 4/2015 Hwangbo D14/126
D727,879 S * 4/2015 Lee D14/239
D731,994 S * 6/2015 Won D14/126

(Continued)

FOREIGN PATENT DOCUMENTS

EM 002189035001 2/2013
KR 300644309 S 6/2012

(Continued)

Primary Examiner — Randall Gholson

(74) *Attorney, Agent, or Firm* — Cantor Colburn LLP

(57) **CLAIM**

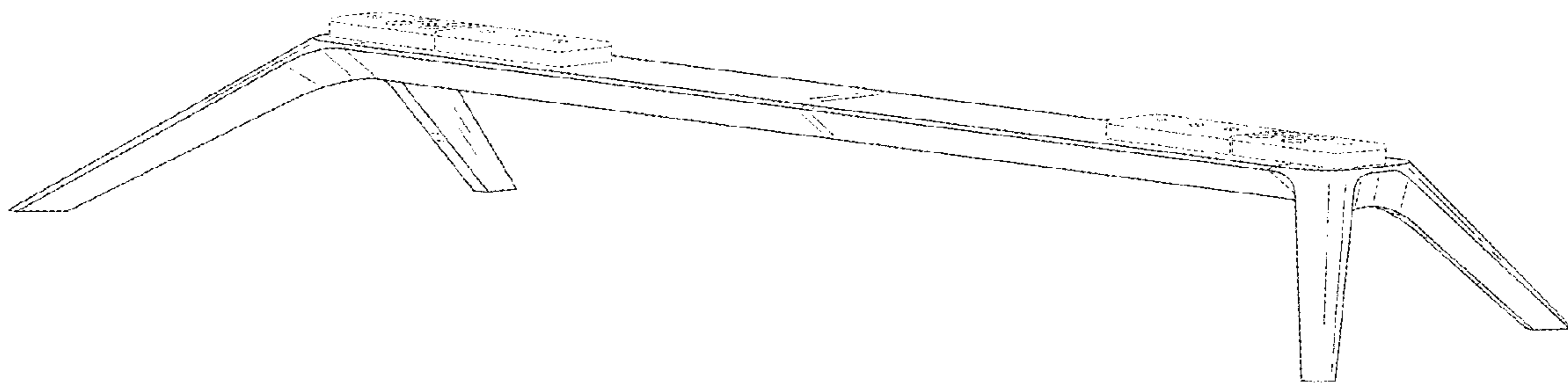
The ornamental design for an stand for television receiver,
as shown and described.

DESCRIPTION

FIG. 1 is a perspective view of an stand for television
receiver showing our new design;
FIG. 2 is a front thereof;
FIG. 3 is a rear view thereof;
FIG. 4 is a left-side view thereof;
FIG. 5 is a right-side view thereof;
FIG. 6 is a top plan view thereof;
FIG. 7 is a bottom plan view thereof;
FIG. 8 is a bottom perspective view thereof; and,
FIG. 9 is another perspective as shown in a television
environment.

The broken lines illustrating portions of the stand for tele-
vision receiver form no part of the claimed design.

1 Claim, 6 Drawing Sheets



(56)

References Cited

U.S. PATENT DOCUMENTS

D740,245 S * 10/2015 Kim D14/126
D741,273 S * 10/2015 Huh D14/126
D742,364 S * 11/2015 Reinhertz D14/239
D743,385 S * 11/2015 Ann D14/239
D744,444 S * 12/2015 Kim D14/126
D744,970 S * 12/2015 Kim D14/126
D746,825 S * 1/2016 Kang D14/451
D748,596 S * 2/2016 McManigal D14/126
D749,532 S * 2/2016 McManigal D14/126
D751,519 S * 3/2016 Ma D14/126
D752,533 S * 3/2016 Yamaguchi D14/126

FOREIGN PATENT DOCUMENTS

KR 300659441 S 9/2012
KR 300761137 S 9/2014

* cited by examiner

FIG. 1

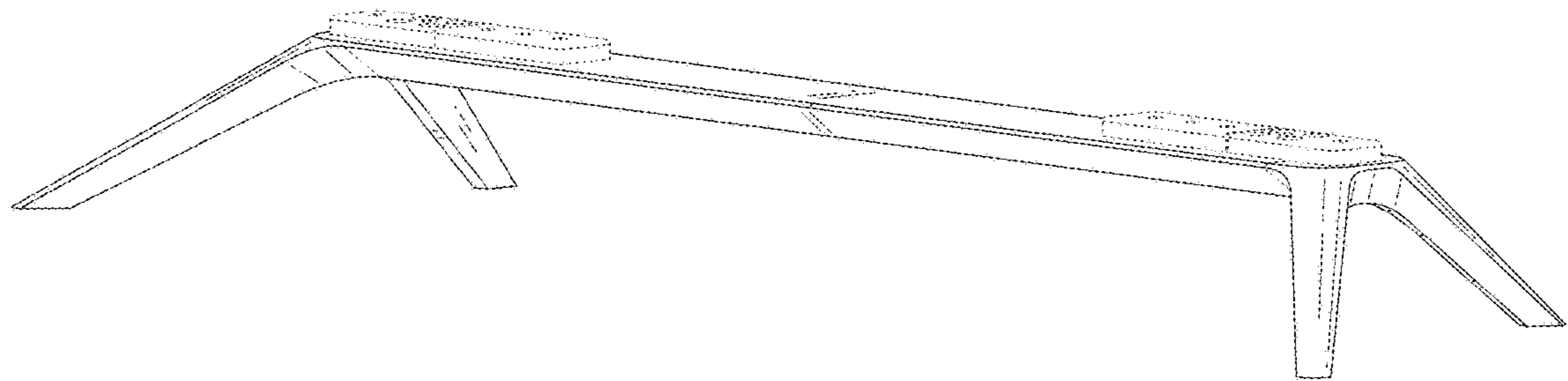


FIG. 2

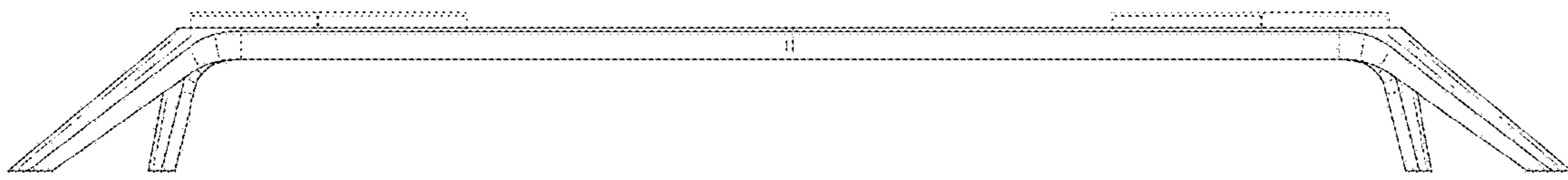


FIG. 3

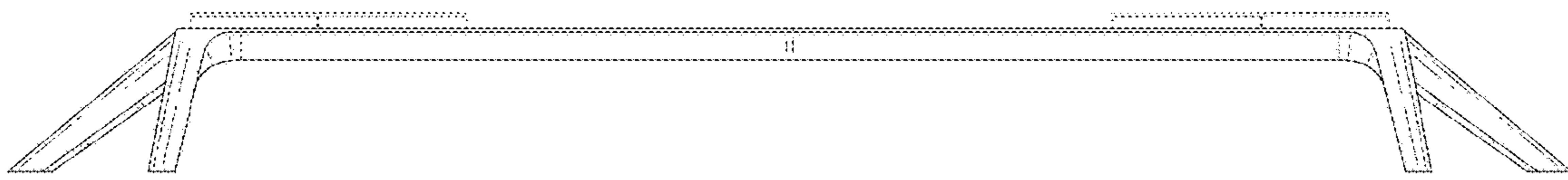


FIG. 4

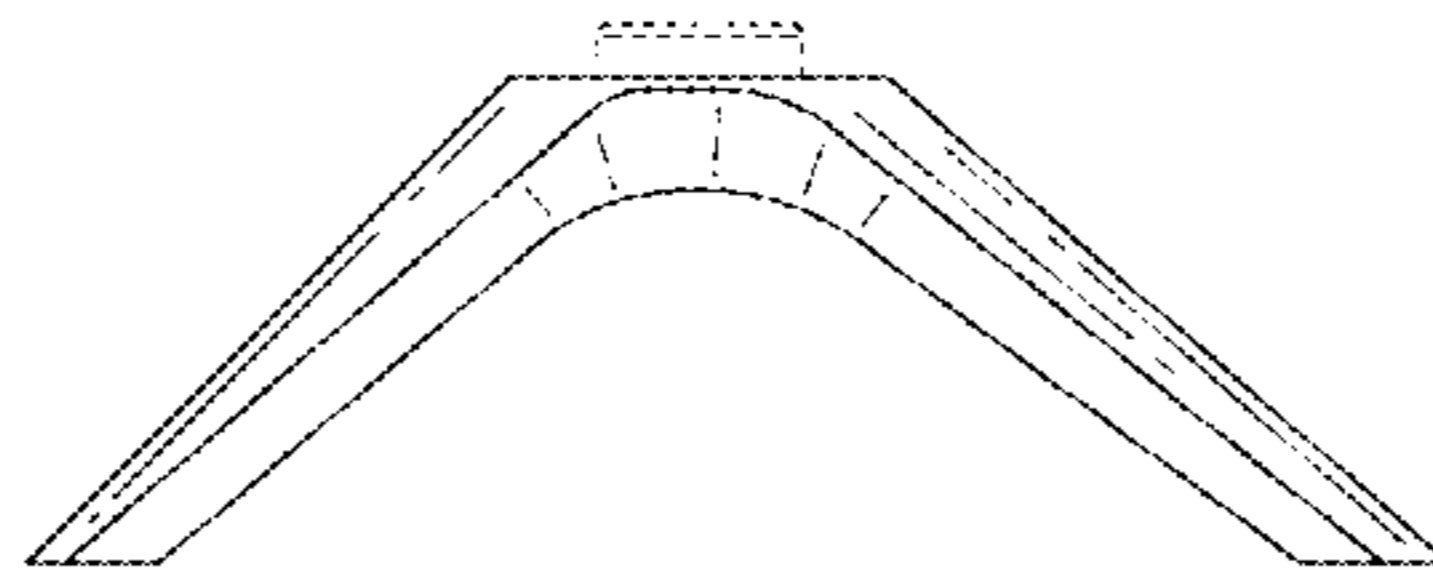


FIG. 5

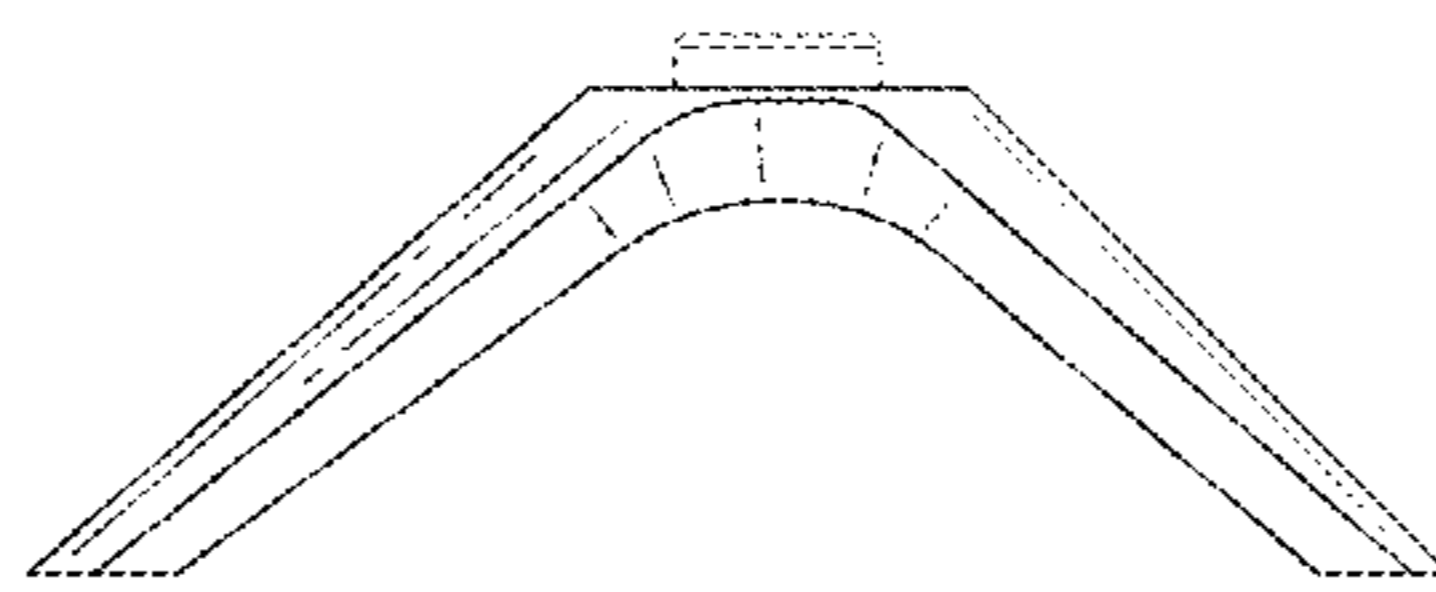


FIG. 6

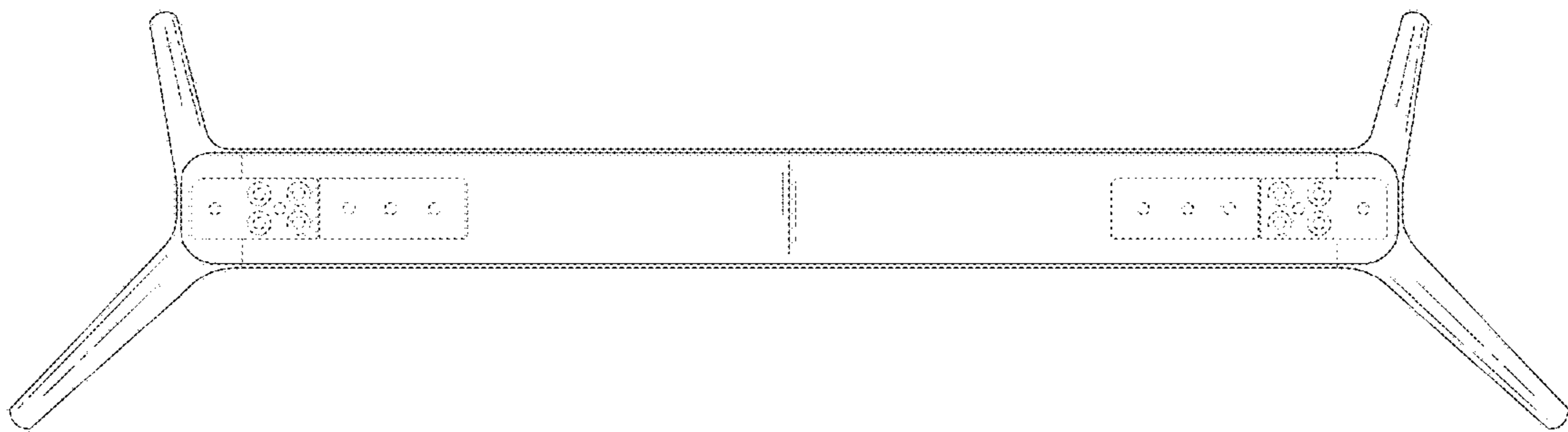


FIG. 7

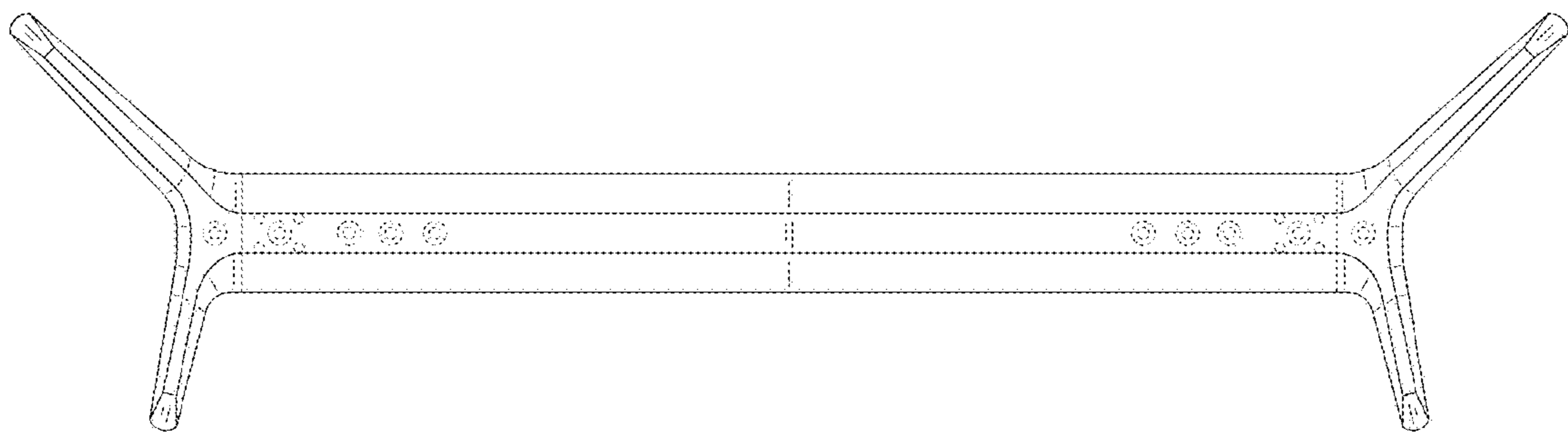


FIG. 8

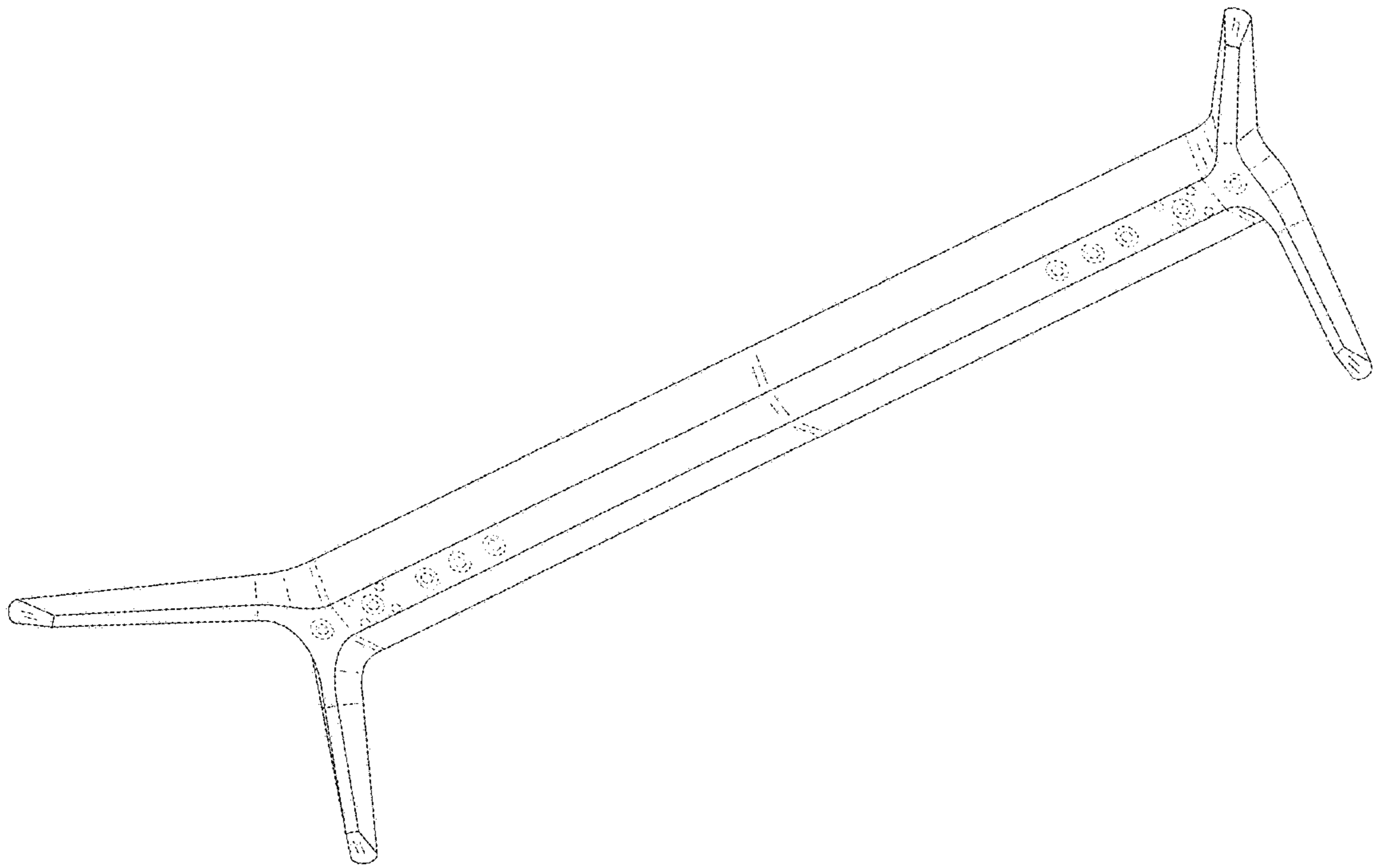


FIG. 9

