



US00D788748S

(12) **United States Design Patent**
Woo

(10) **Patent No.:** **US D788,748 S**
(45) **Date of Patent:** **** Jun. 6, 2017**

(54) **TELEVISION**

(71) Applicant: **Samsung Electronics Co., Ltd.**,
Suwon-si, Gyeonggi-do (KR)

(72) Inventor: **Byung Min Woo**, Bucheon-si (KR)

(73) Assignee: **SAMSUNG ELECTRONICS CO., LTD.**,
Gyeonggi-do (KR)

(**) Term: **15 Years**

(21) Appl. No.: **29/560,494**

(22) Filed: **Apr. 7, 2016**

(51) **LOC (10) Cl.** **14-03**

(52) **U.S. Cl.**
USPC **D14/239**

(58) **Field of Classification Search**
USPC D14/125-134, 239, 371, 136, 374-377,
D14/440, 450, 448, 336, 342, 159;
312/7.2; 348/836, 838, 180, 184, 325,
348/739; 248/917-924, 465; 345/104,
345/133, 156, 168, 87, 173; D21/329,
D21/515, 577, 622, 333, 433, 448, 452,
D21/450, 331, 505; D10/15, 26;
446/484, 175, 356; D6/477, 479, 300;
D24/185; D34/14
CPC ... G06F 1/1601; G06F 1/1643; H05K 5/0004;
H05K 5/0017; H05K 5/02; H05K 5/0217
See application file for complete search history.

(56) **References Cited**

U.S. PATENT DOCUMENTS

D662,906 S * 7/2012 Chiu D14/126
D680,508 S * 4/2013 Kim D14/126
D683,337 S * 5/2013 Kim D14/239
D699,699 S * 2/2014 Park D14/126
D708,596 S * 7/2014 Park D14/126
D709,470 S * 7/2014 Ryu D14/126
D714,757 S * 10/2014 Lee D14/209.1

D716,245 S * 10/2014 Kim D14/126
D721,713 S * 1/2015 Ko D14/451
D723,528 S * 3/2015 Choi D14/239
D726,666 S * 4/2015 Hwangbo D14/126
D727,879 S * 4/2015 Lee D14/239
D731,994 S * 6/2015 Won D14/126
D740,245 S * 10/2015 Kim D14/126
D741,273 S * 10/2015 Huh D14/126
D742,364 S * 11/2015 Reinhertz D14/239
D743,385 S * 11/2015 Ann D14/239
D744,444 S * 12/2015 Kim D14/126
D744,970 S * 12/2015 Kim D14/126
D746,825 S * 1/2016 Kang D14/451
D748,596 S * 2/2016 McManigal D14/126

(Continued)

FOREIGN PATENT DOCUMENTS

JP 200595326 A 4/2005
JP 2007159798 A 6/2007

(Continued)

Primary Examiner — Randall Gholson
(74) *Attorney, Agent, or Firm* — Cantor Colburn LLP

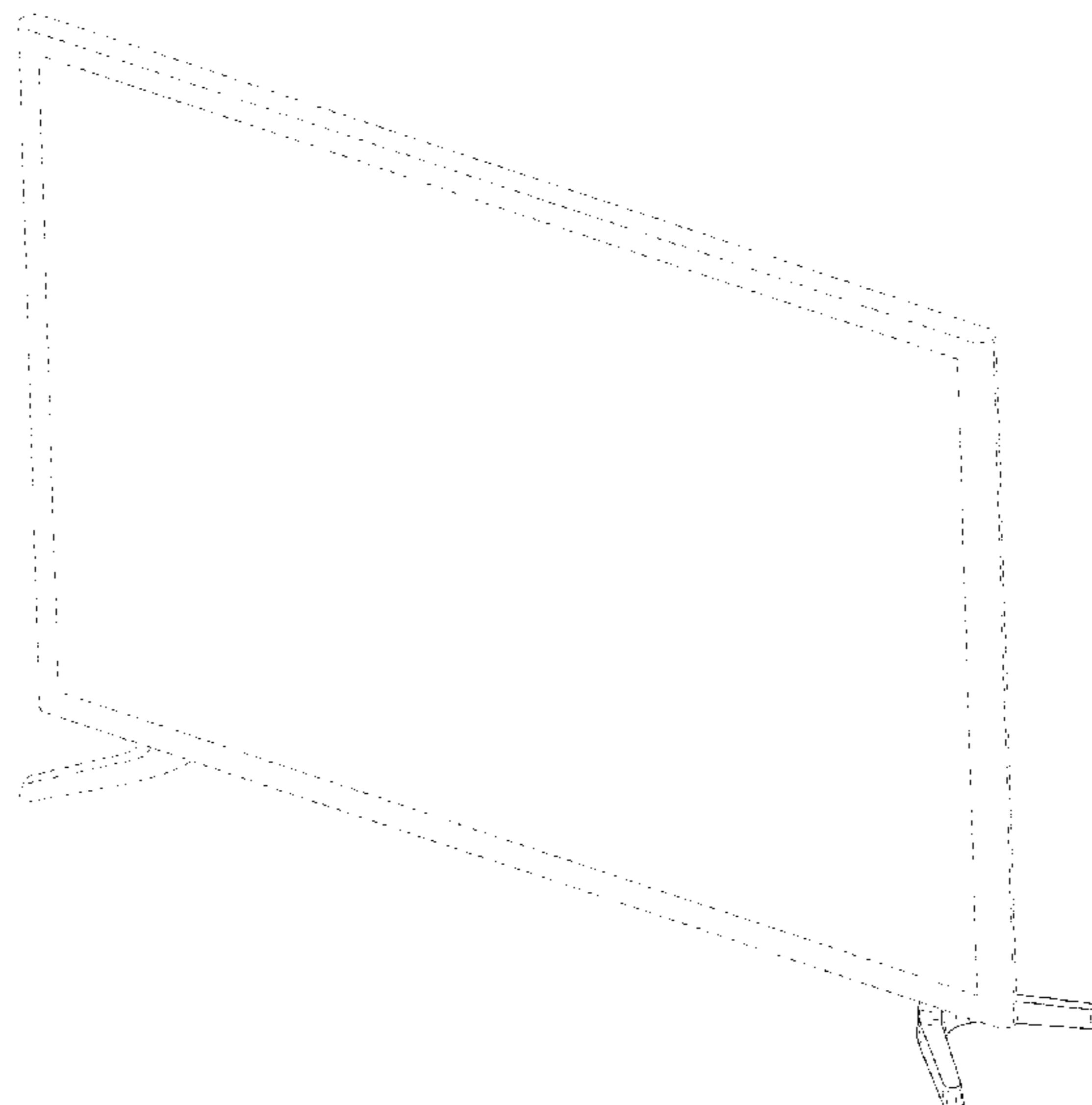
(57) **CLAIM**

The ornamental design for a television, as shown and described.

DESCRIPTION

FIG. 1 is the front perspective view of a television showing my new design;
FIG. 2 is the front view thereof;
FIG. 3 is the rear view thereof;
FIG. 4 is the left-side view thereof;
FIG. 5 is the right-side view thereof;
FIG. 6 is the top view thereof;
FIG. 7 is the bottom view thereof; and,
FIG. 8 is the rear perspective view thereof.
The broken lines in the drawing show unclaimed environment only and form no part of the claimed design.

1 Claim, 8 Drawing Sheets



(56)

References Cited

U.S. PATENT DOCUMENTS

D749,532 S * 2/2016 McManigal D14/126
D751,519 S * 3/2016 Ma D14/126
D752,533 S * 3/2016 Yamaguchi D14/126
2007/0086651 A1 4/2007 Stephan et al.
2011/0202480 A1 8/2011 Maes et al.

FOREIGN PATENT DOCUMENTS

KR 1020100091038 A 8/2010
KR 1020110083615 A 7/2011

* cited by examiner

FIG. 1

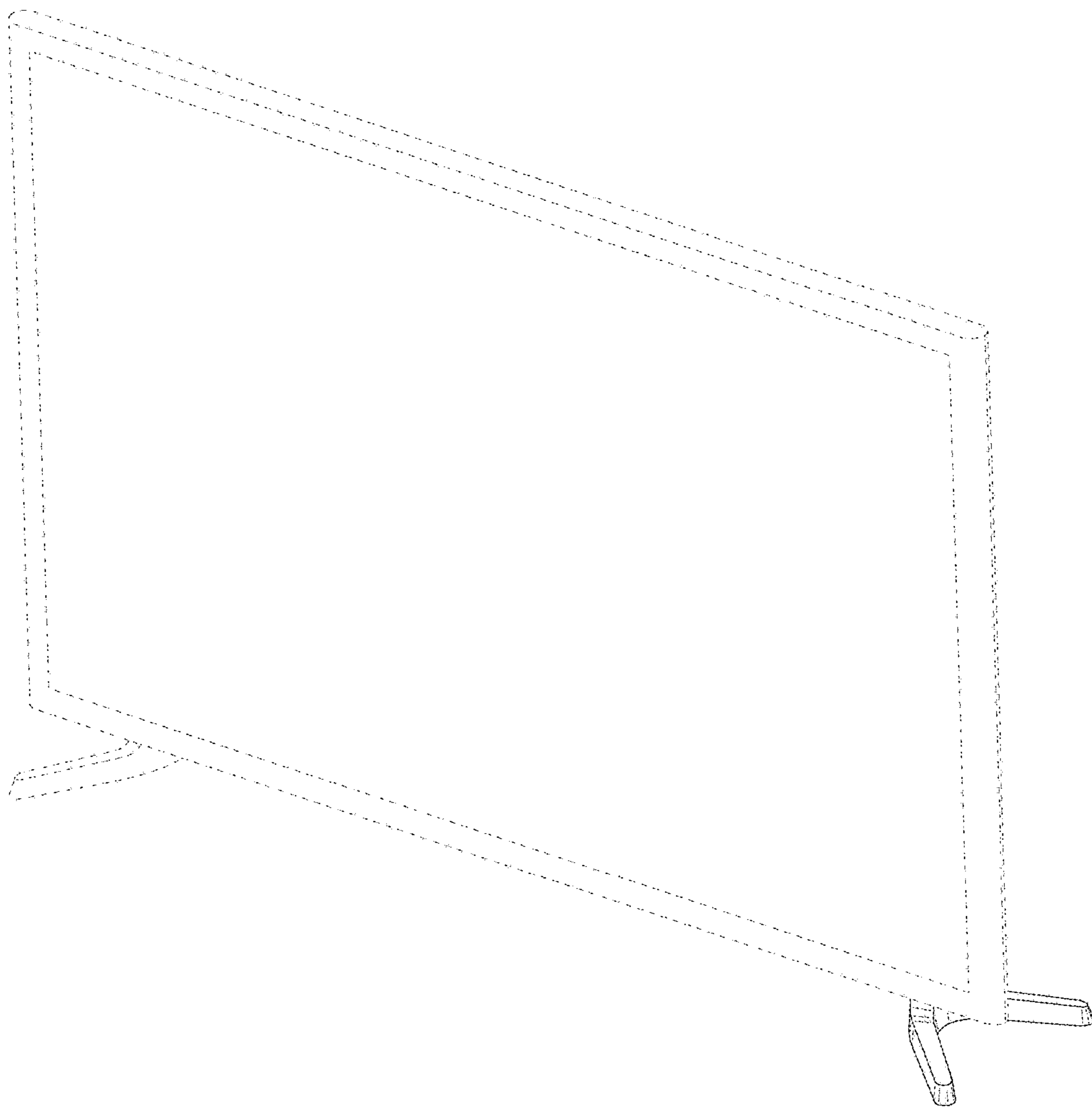


FIG. 2



FIG. 3

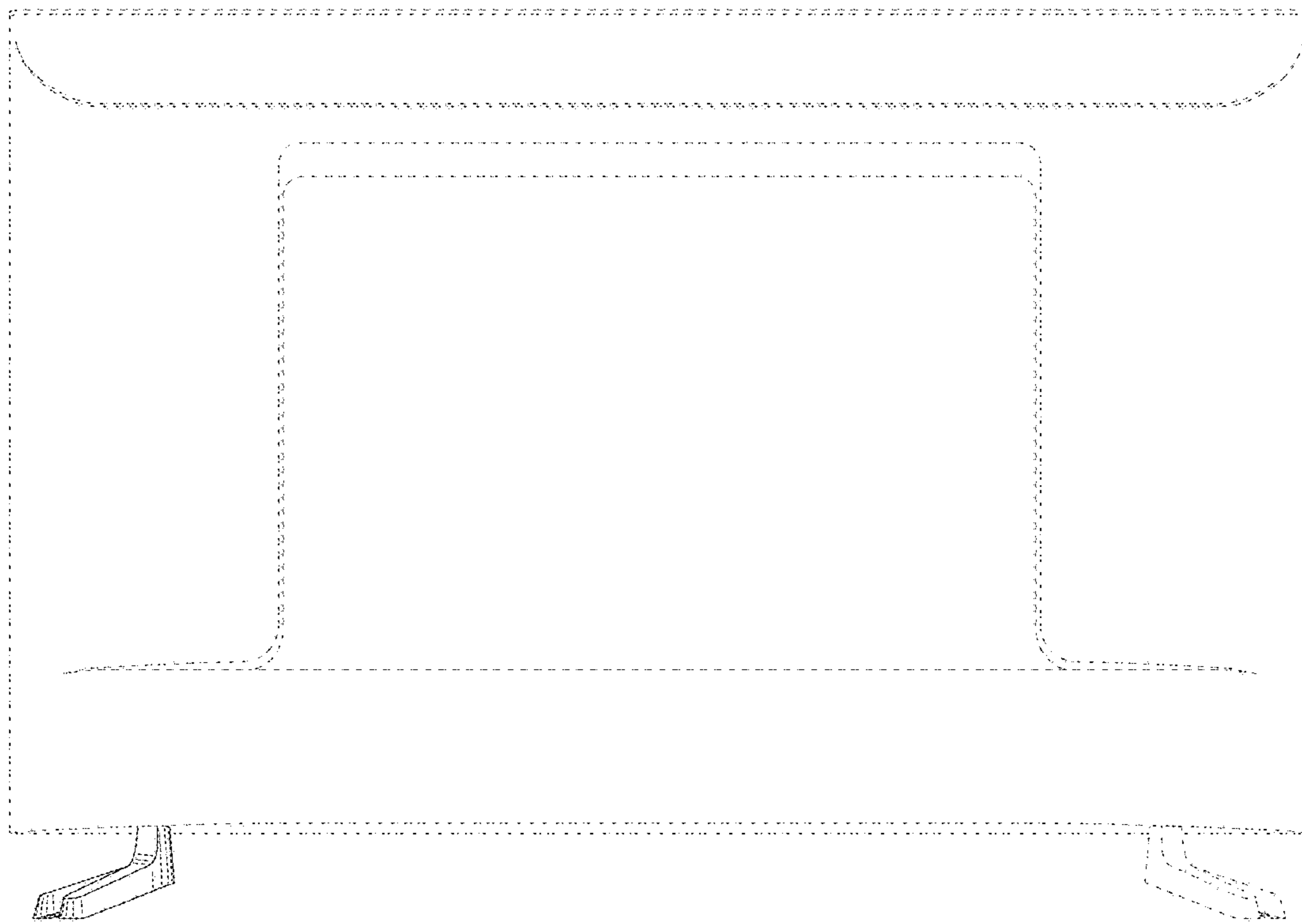


FIG. 4

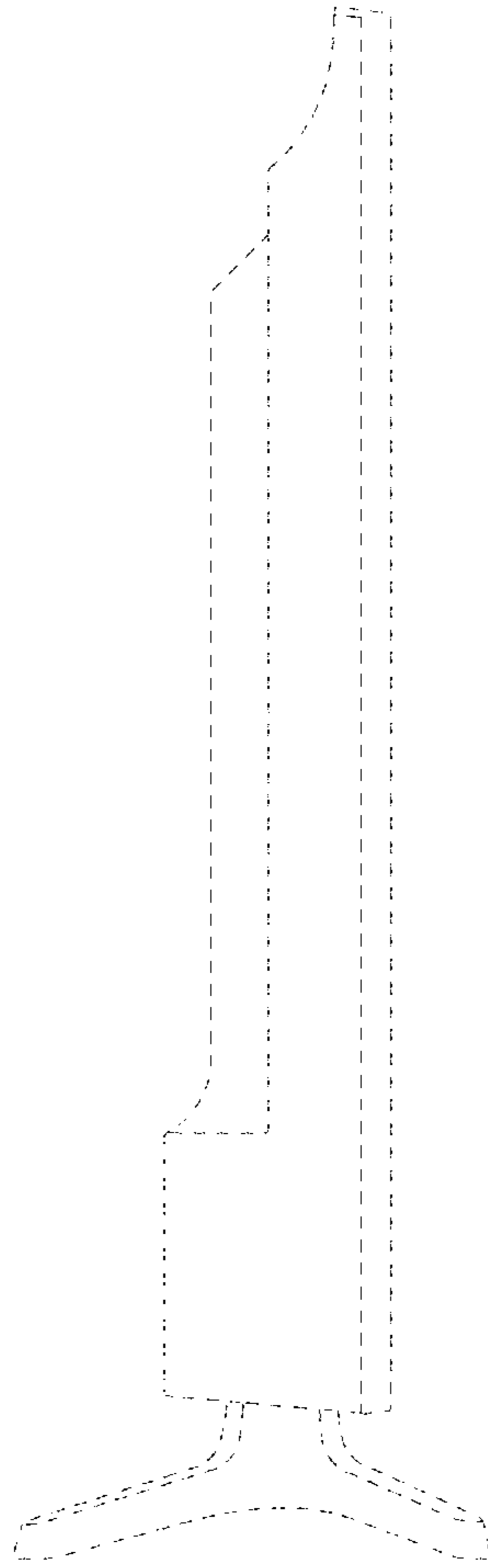


FIG. 5

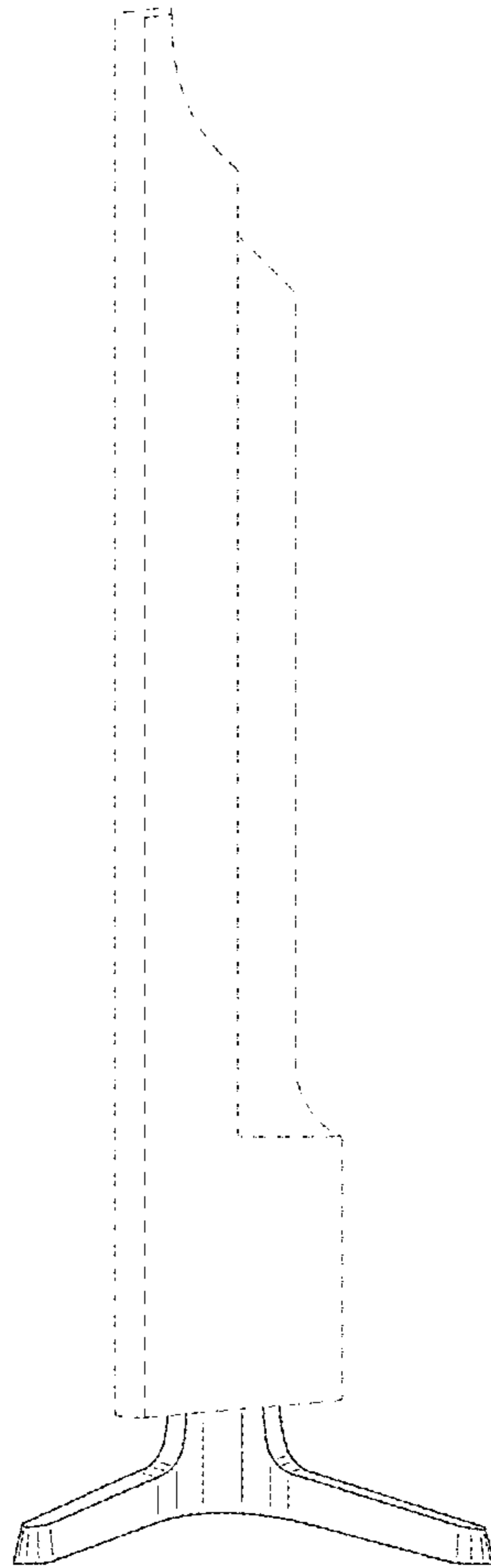


FIG. 6



FIG. 7

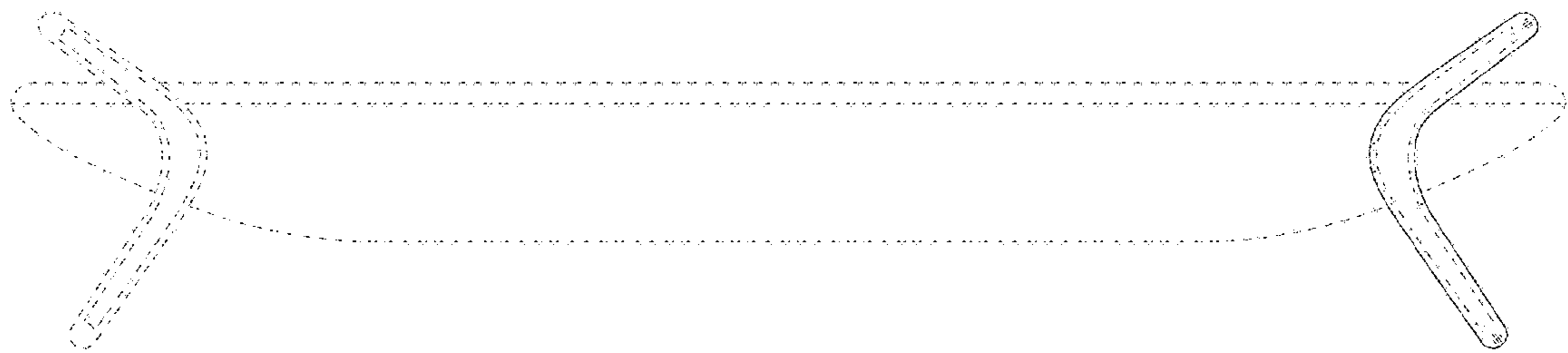


FIG. 8

