



US00D788747S

(12) **United States Design Patent**
Kemp et al.

(10) **Patent No.:** **US D788,747 S**
(45) **Date of Patent:** **** Jun. 6, 2017**

(54) **AUDIO VIDEO DISPLAY STAND**

DESCRIPTION

- (71) Applicant: **INNOVANT, INC.**, New Canaan, CT (US)
- (72) Inventors: **John Kemp**, Fort Lee, NJ (US); **Bruce Wells**, Jersey City, NJ (US)
- (73) Assignee: **Innovant, Inc.**, New Canaan, CT (US)
- (**) Term: **14 Years**
- (21) Appl. No.: **29/518,254**
- (22) Filed: **Feb. 20, 2015**
- (51) **LOC (10) Cl.** **14-03**
- (52) **U.S. Cl.**
USPC **D14/239**
- (58) **Field of Classification Search**
USPC D14/239, 211, 238, 251, 253, 371–382,
D14/125–129, 336, 337, 447, 448, 451,
D14/452, 492, 450; 341/12; 345/104,
345/156, 168, 173; 348/180, 184, 325,
348/739; 349/1, 2, 11, 62;
361/679.05–679.07, 679.21; D6/300,
D6/310–313, 308, 708
CPC H03M 2201/4135; G06F 3/0412; G02F
1/13338; H04N 17/00; H04N 17/004;
H04N 17/04
See application file for complete search history.

(56) **References Cited**

U.S. PATENT DOCUMENTS

- D507,776 S * 7/2005 Mah D12/308
- D508,801 S * 8/2005 Holst D6/675.1
- D539,565 S * 4/2007 Sexton, III D6/675.3

(Continued)

Primary Examiner — Randall Gholson

(74) *Attorney, Agent, or Firm* — Weitzman Law Offices, LLC; Kenneth Weitzman

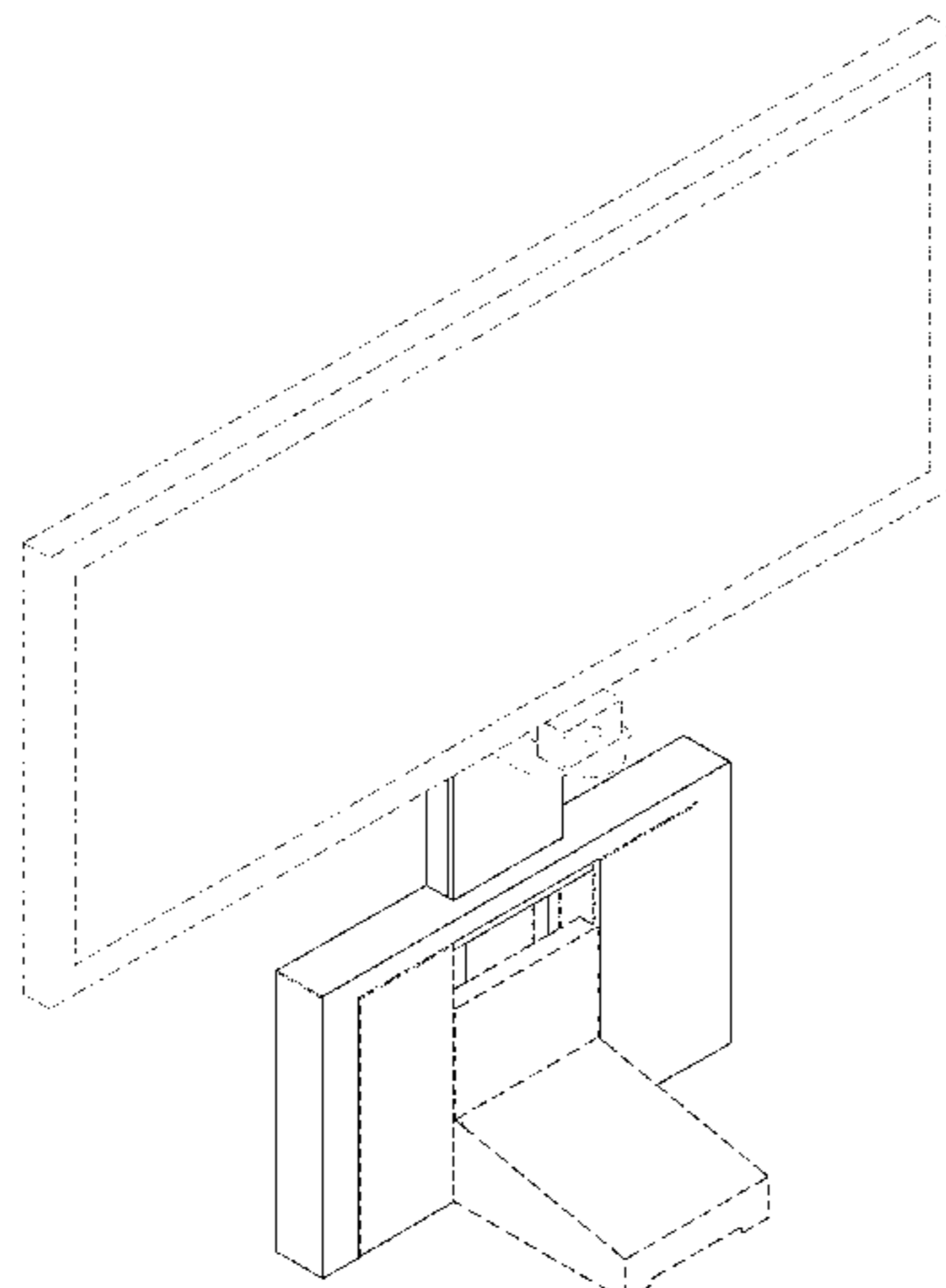
(57) **CLAIM**

The ornamental design for an audio video display stand, as shown and described.

FIG. 1 is a perspective view of a new ornamental audio video display stand shown in an environment of use;
 FIG. 2 is a perspective view of the audio video display stand shown in FIG. 1;
 FIG. 3 is a front view of the audio video display stand shown in FIG. 1;
 FIG. 4 is a top view of the audio video display stand shown in FIG. 1;
 FIG. 5 is a right side view of the audio video display stand shown in FIG. 1, the left side view being a mirror image of the right side view;
 FIG. 6 is a rear view of the audio video display stand shown in FIG. 1;
 FIG. 7 is a bottom view of the audio video display stand shown in FIG. 1;
 FIG. 8 is a perspective view of the audio video display of FIG. 1 shown in another environment of use;
 FIG. 9 is a perspective view of the audio video display stand shown in FIG. 8;
 FIG. 10 is a front view of the audio video display stand shown in FIG. 8;
 FIG. 11 is a top view of the audio video display stand shown in FIG. 8;
 FIG. 12 is a right side view of the audio video display stand shown in FIG. 8, the left side view being a mirror image of the right side view;
 FIG. 13 is a rear view of the audio video display stand shown in FIG. 8; and,
 FIG. 14 is a bottom view of the audio video display stand shown in FIG. 8.

The broken lines illustrating the video display, mounting brackets, camera, microphone, foot cover, feet, and all other broken lines in the drawings are for the purpose of illustrating environmental structure, are for illustrative purposes only, and form no part of the claimed design.

1 Claim, 14 Drawing Sheets



(56)

References Cited

U.S. PATENT DOCUMENTS

D564,261 S * 3/2008 Sculler D6/678.1
7,530,538 B2 * 5/2009 Whalen A47B 81/061
108/50.01
D604,962 S * 12/2009 Daud D6/675.1
8,079,311 B2 * 12/2011 Whalen F16M 11/00
108/42
8,561,551 B2 * 10/2013 Whalen A47B 81/00
108/42
D715,276 S * 10/2014 Davis D14/239

* cited by examiner

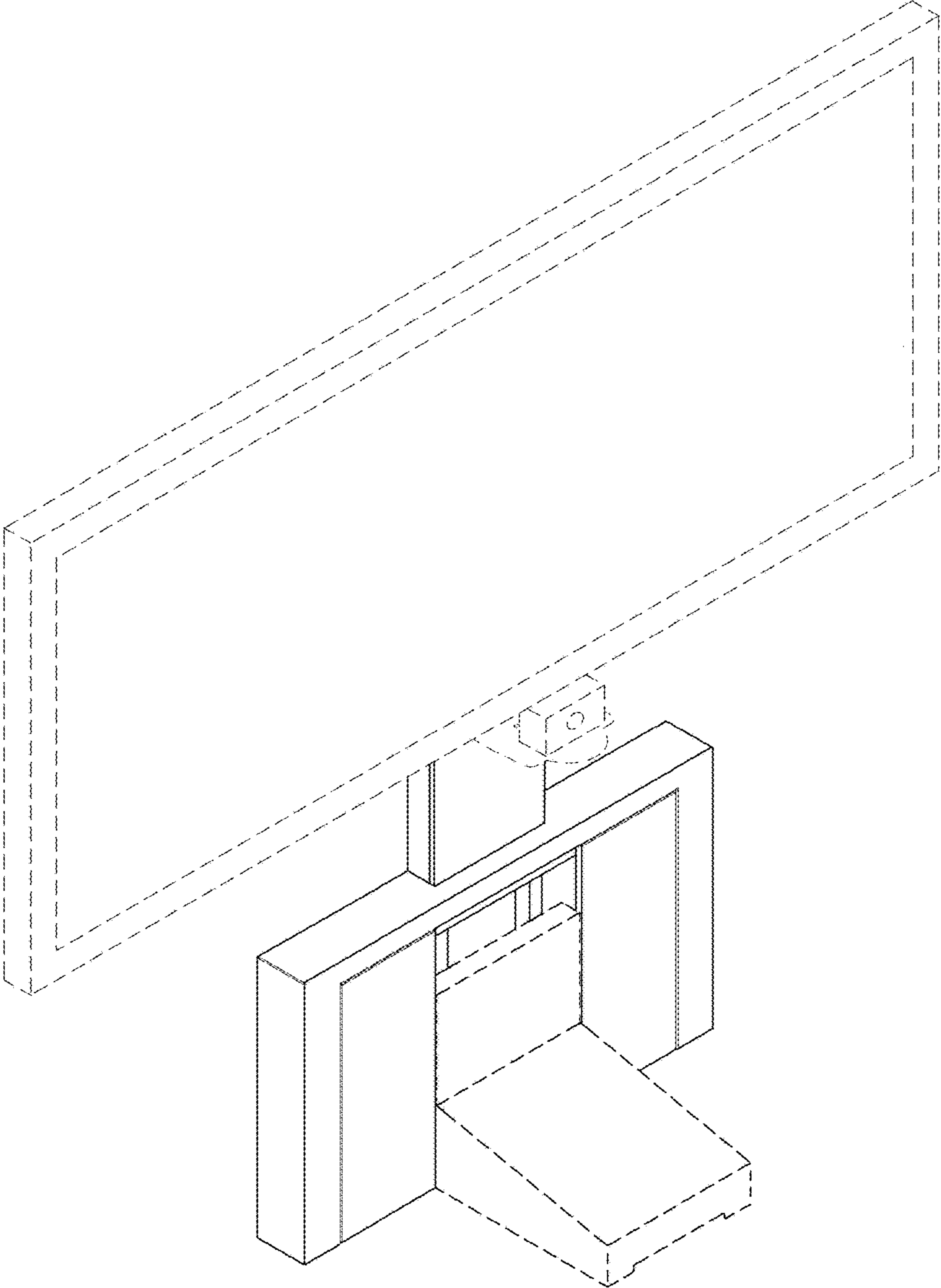


FIG. 1

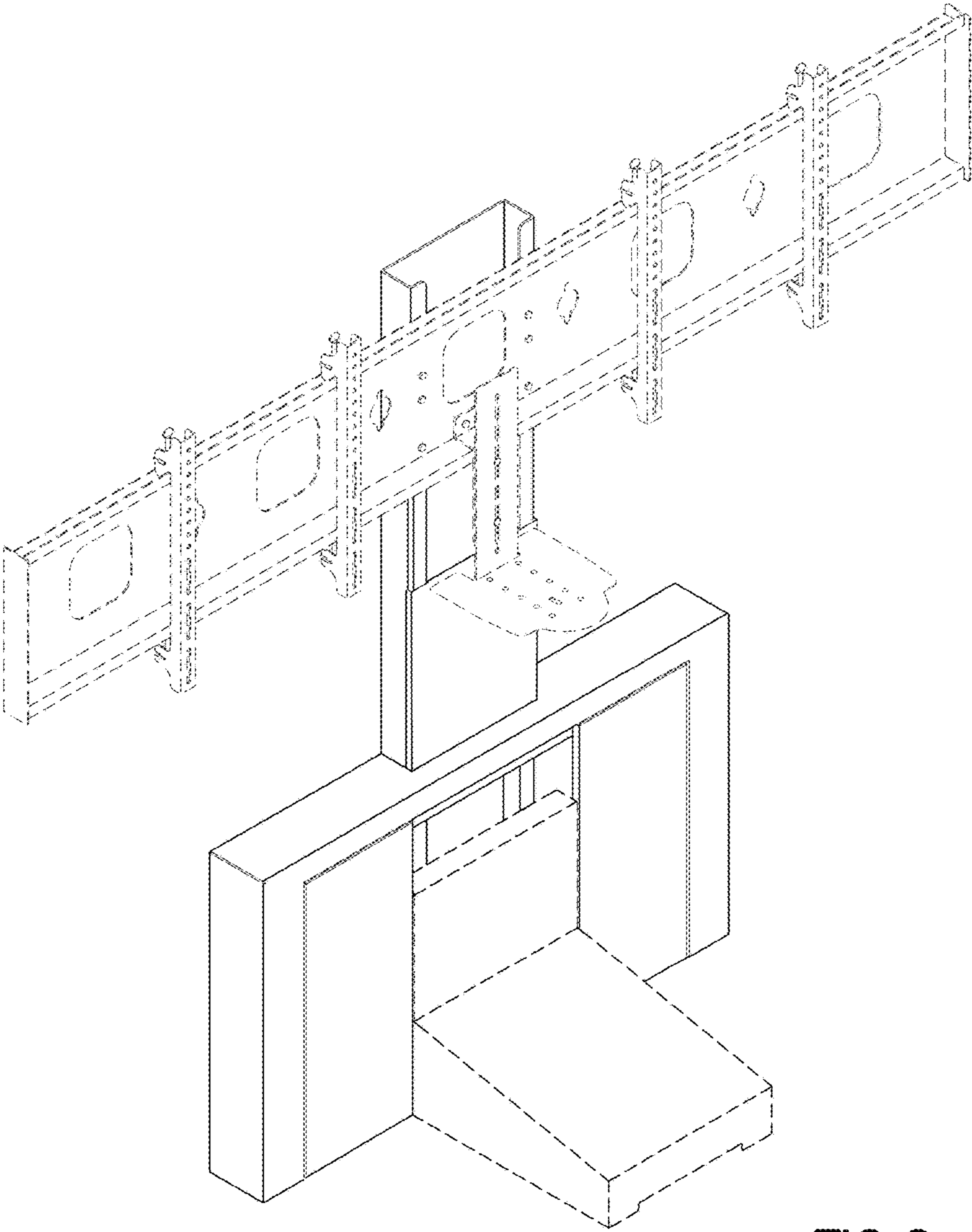


FIG.2

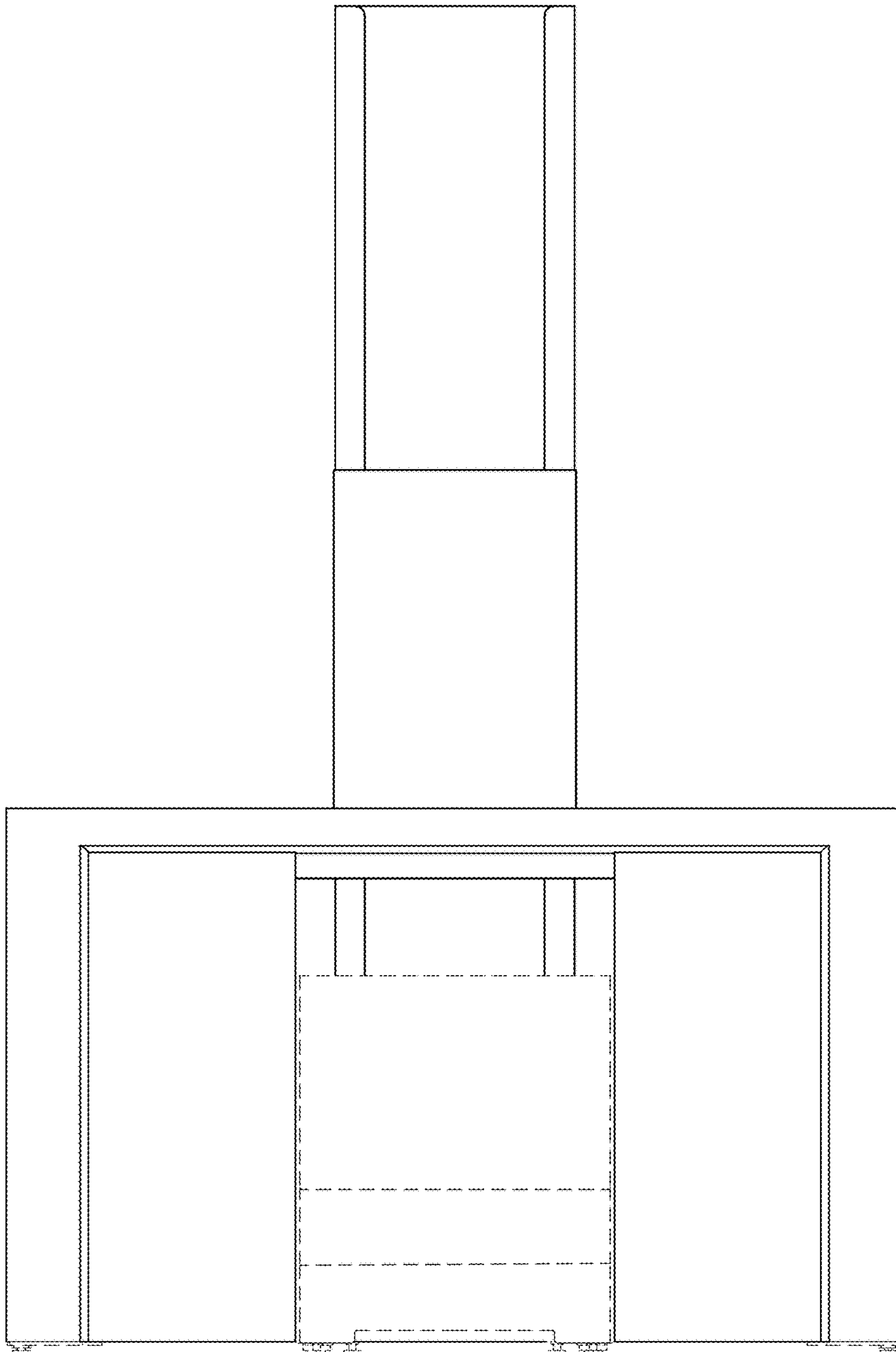


FIG.3

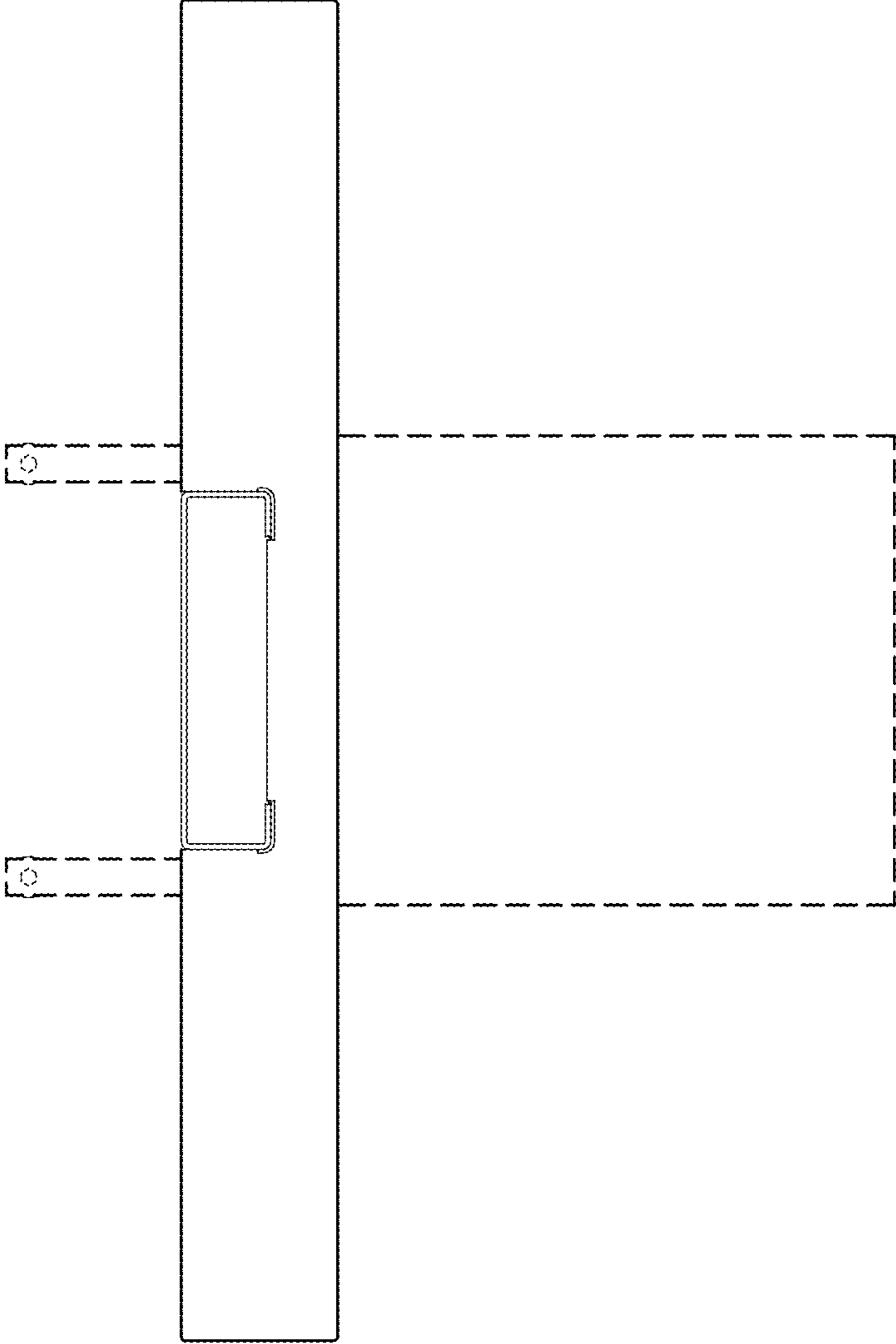


FIG.4

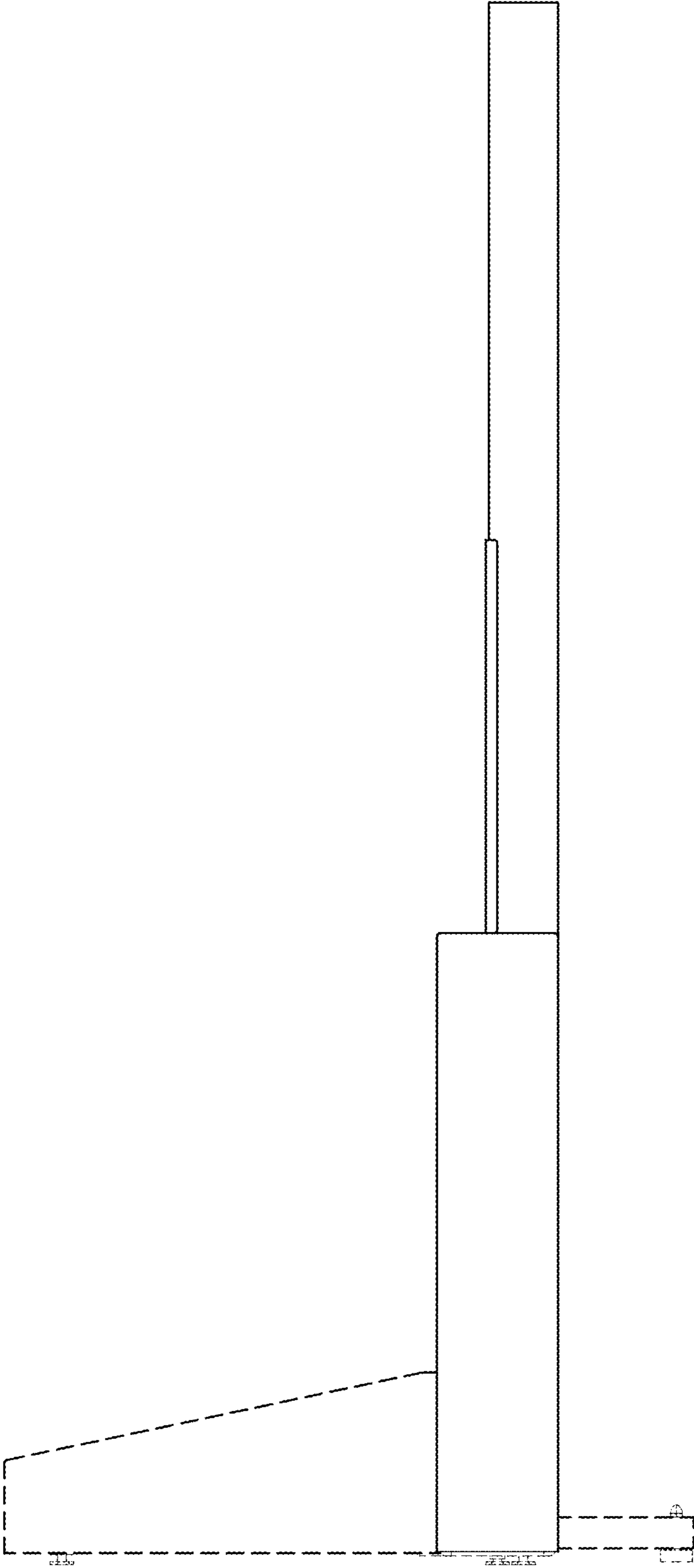


FIG.5

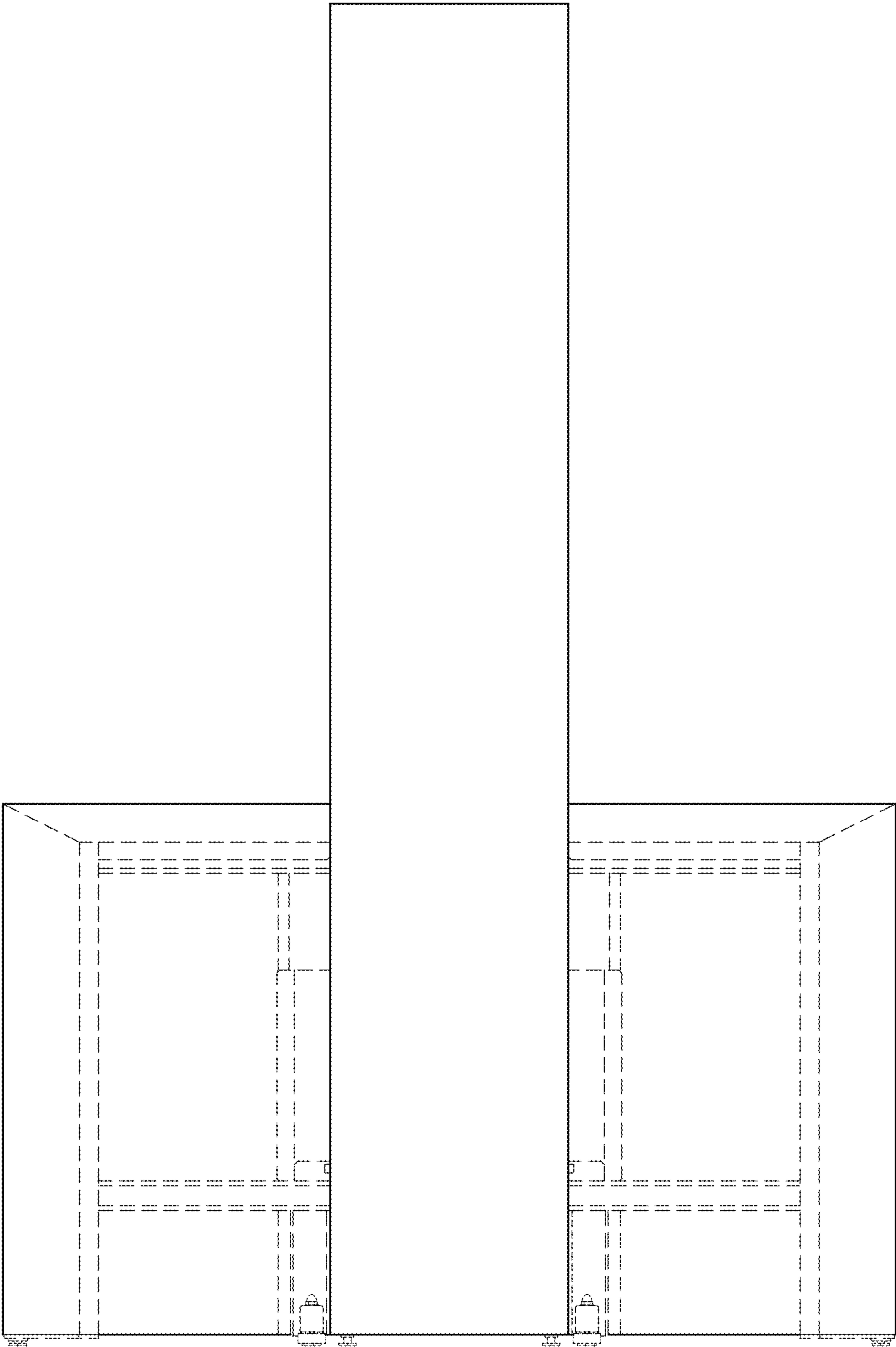


FIG.6

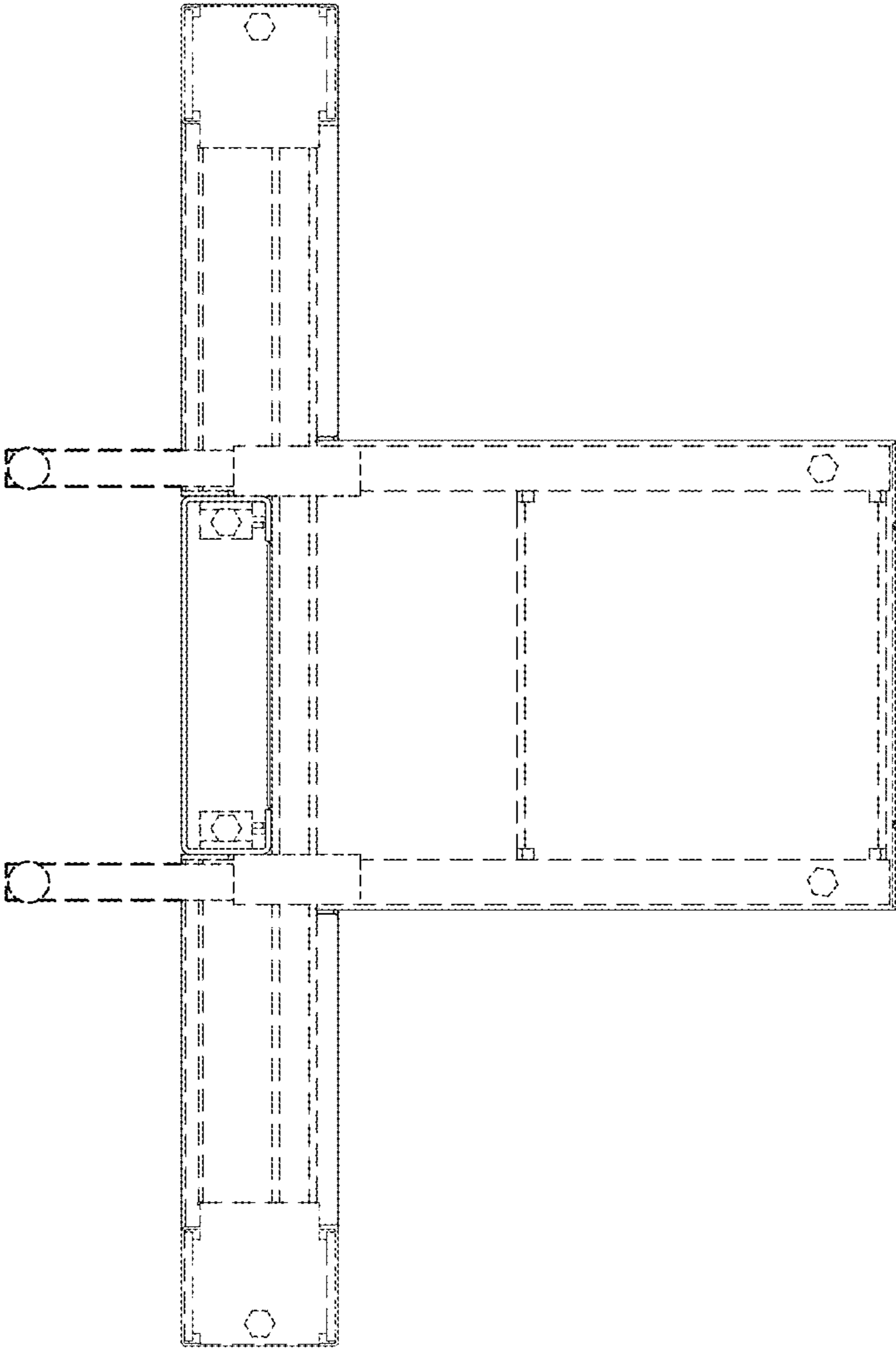


FIG. 7

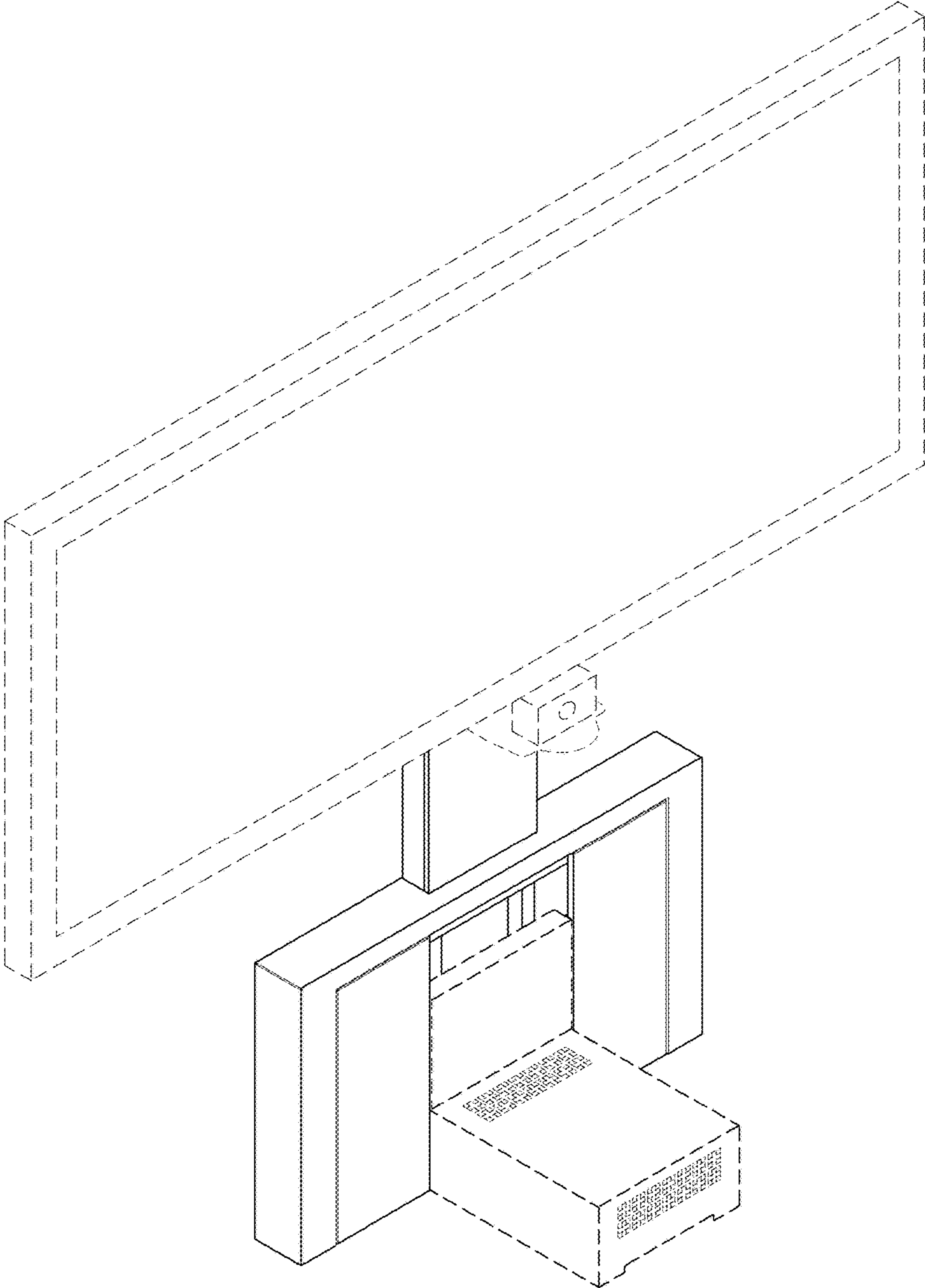


FIG.8

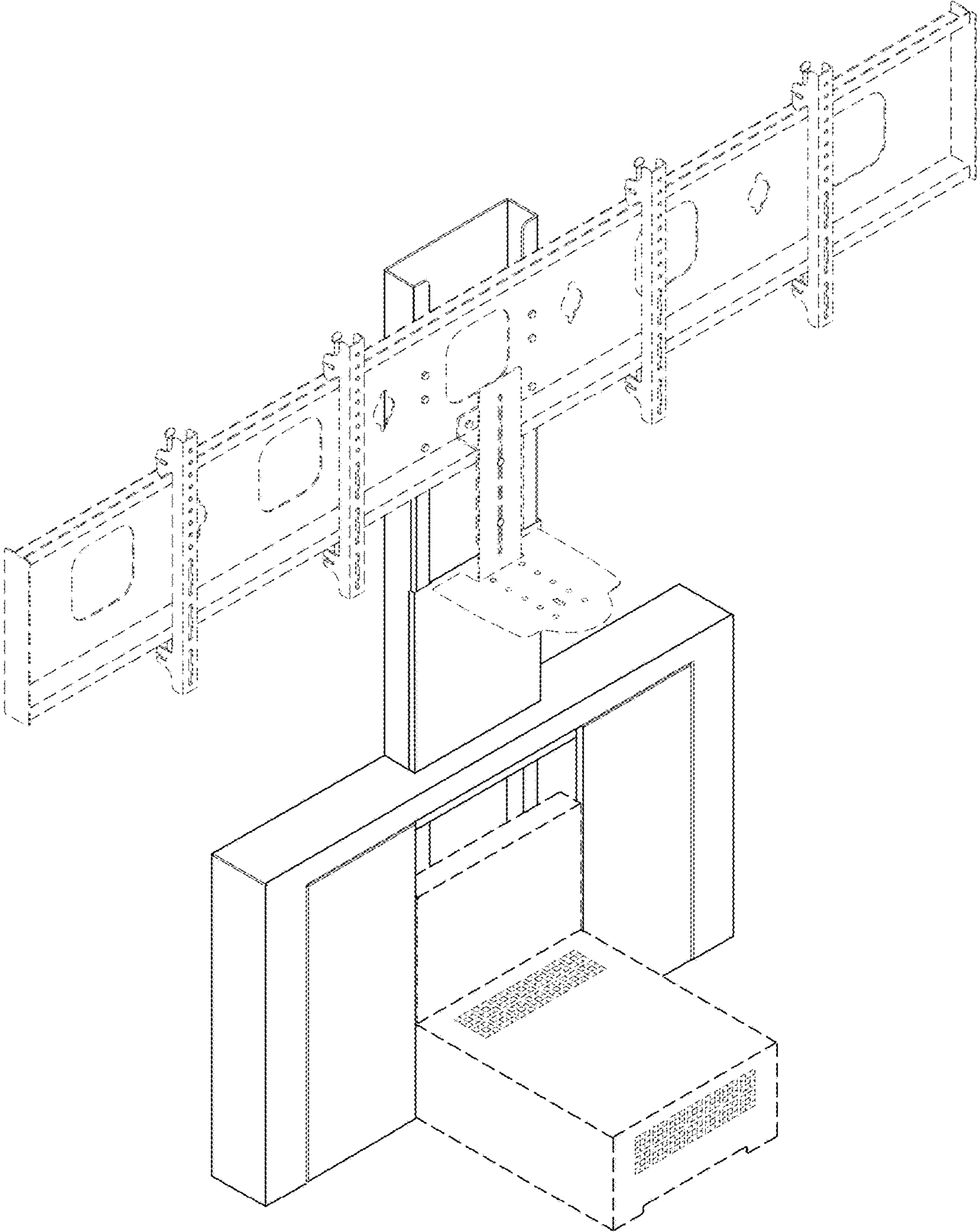


FIG.9

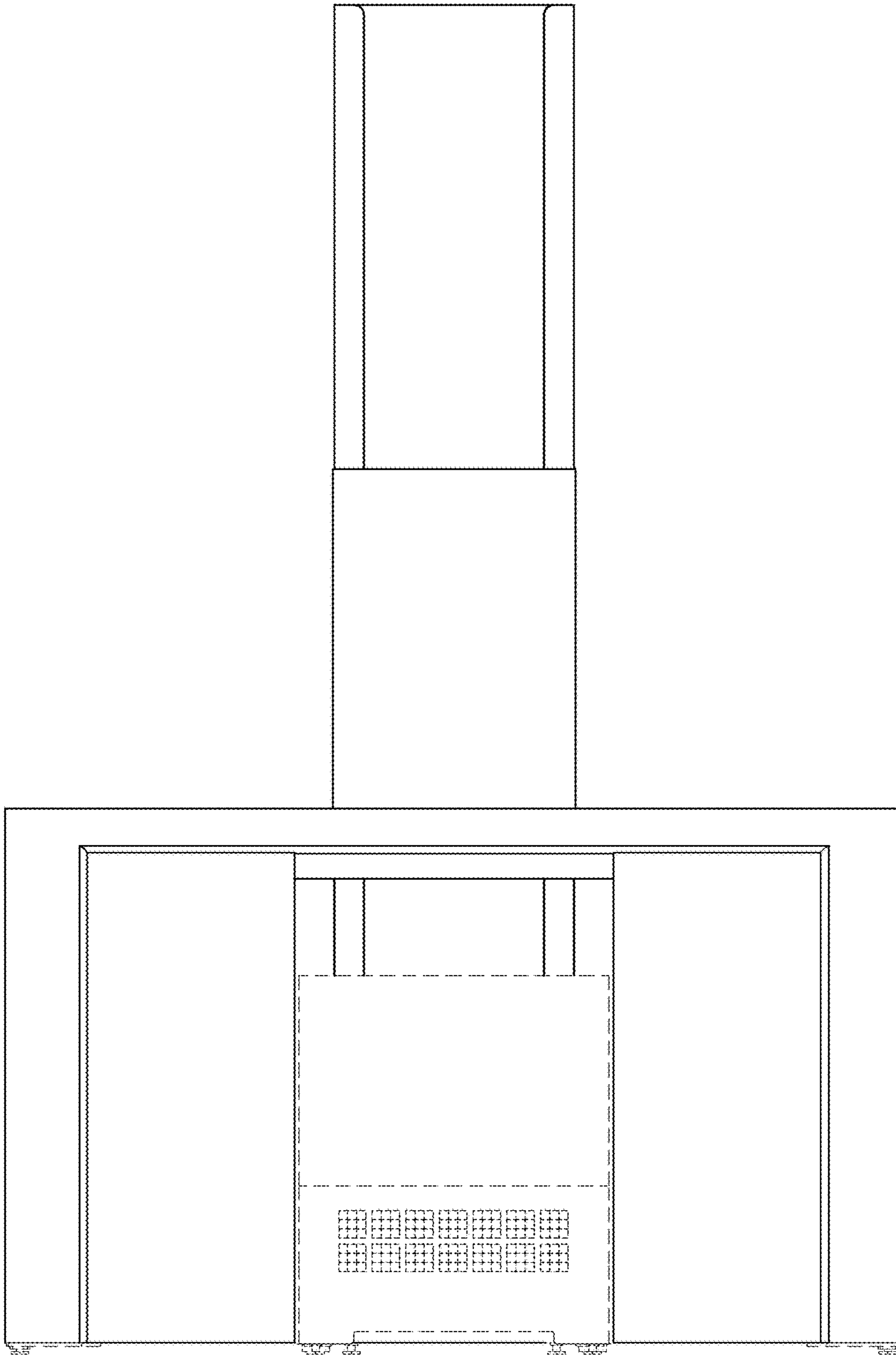


FIG. 10

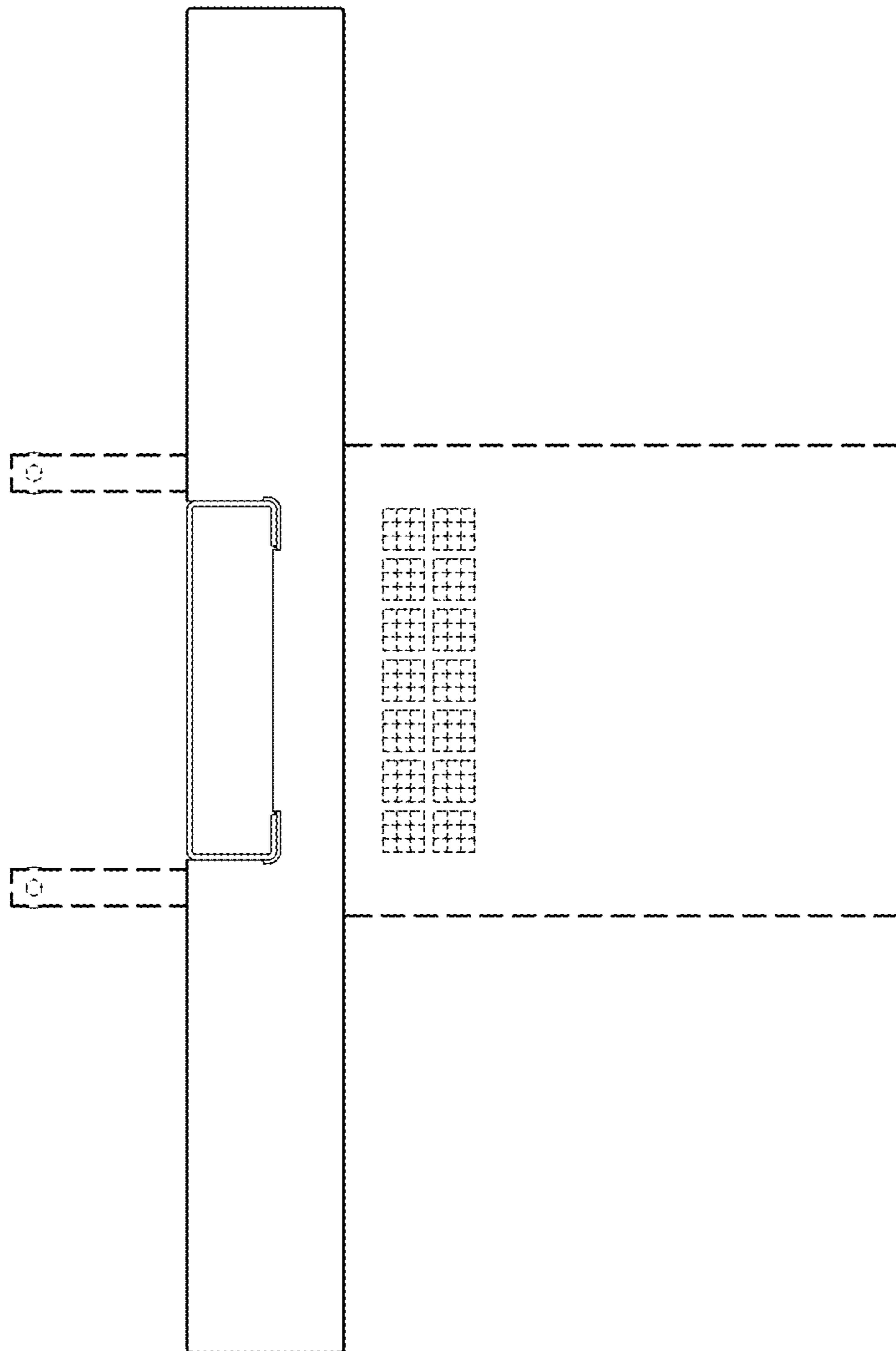


FIG.11

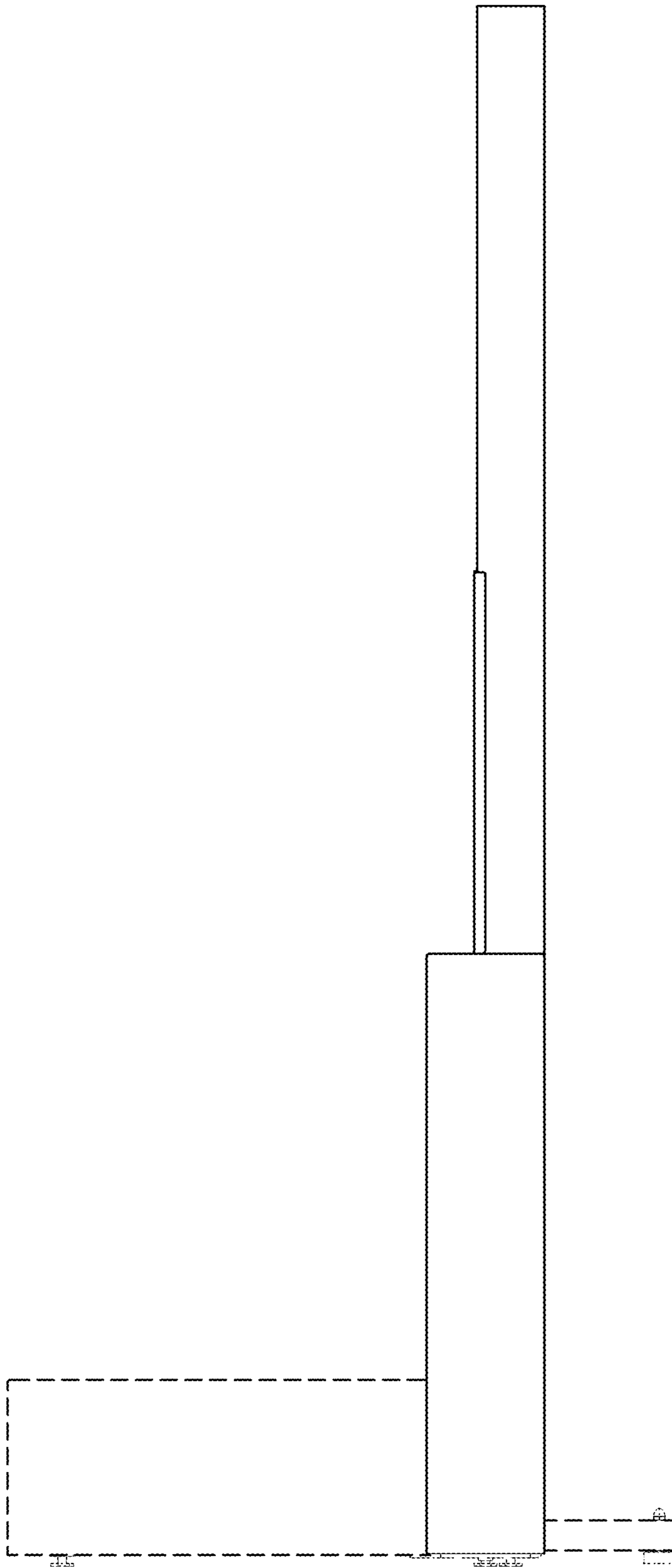


FIG. 12

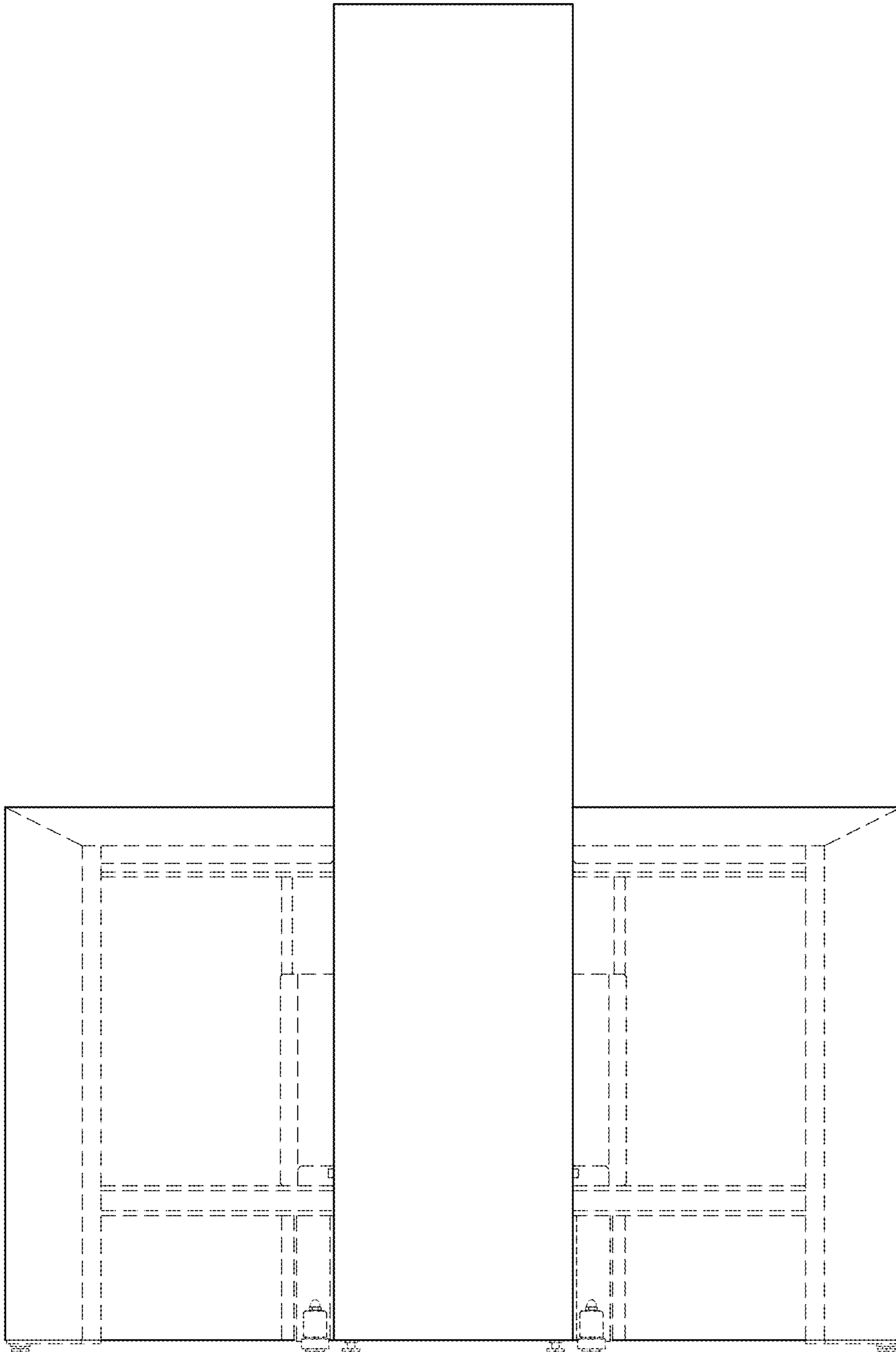


FIG. 13

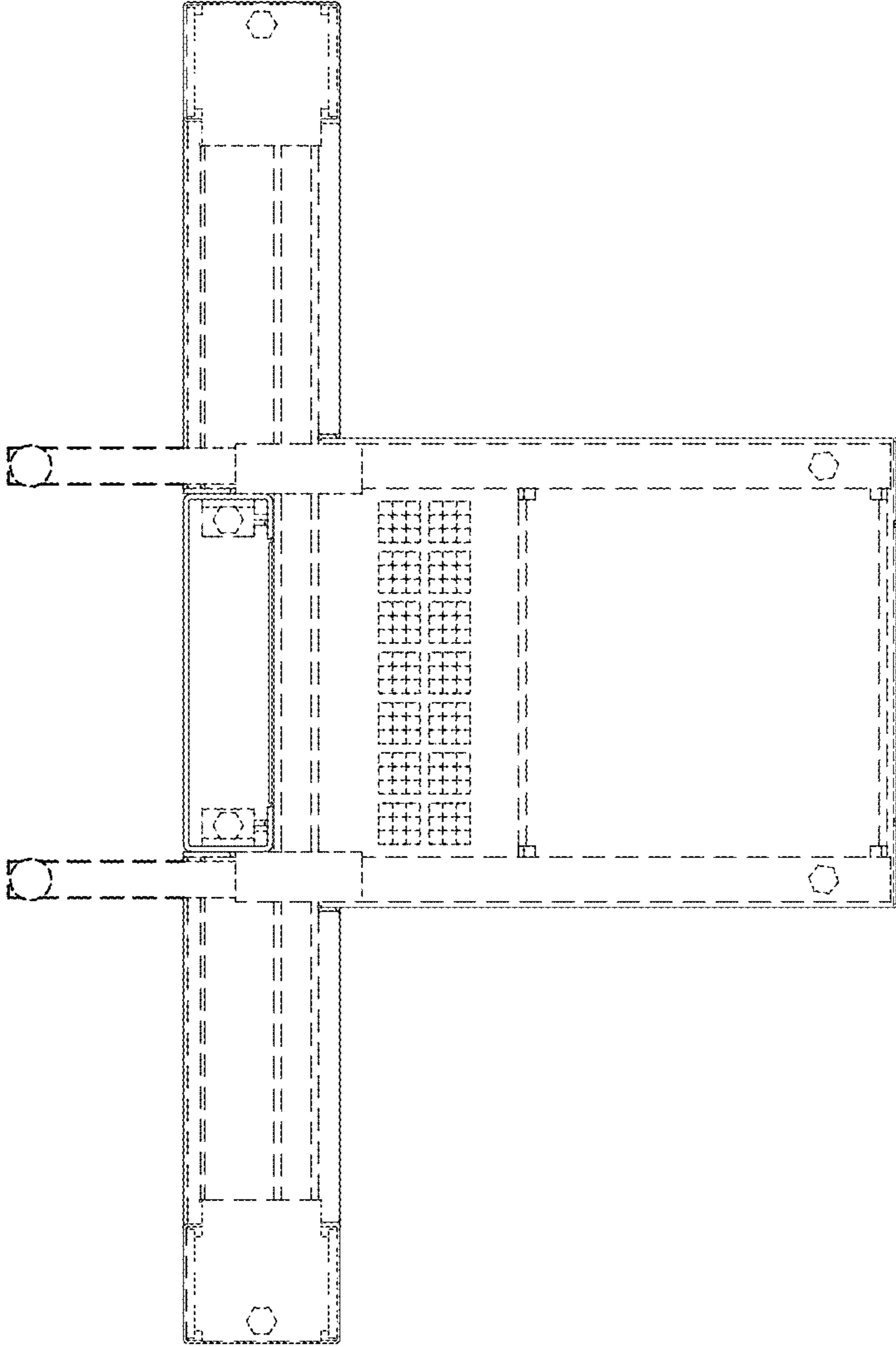


FIG. 14