



US00D788745S

(12) **United States Design Patent**  
**Forster**

(10) **Patent No.:** **US D788,745 S**

(45) **Date of Patent:** **\*\* Jun. 6, 2017**

- (54) **TAG**
- (71) Applicant: **Avery Dennison Retail Information Services LLC**, Mentor, OH (US)
- (72) Inventor: **Ian J. Forster**, Essex (GB)
- (73) Assignee: **AVERY DENNISON RETAIL INFORMATION SERVICES, LLC**, Westborough, MA (US)
- (\*\*) Term: **15 Years**
- (21) Appl. No.: **29/539,461**
- (22) Filed: **Sep. 15, 2015**
- (51) **LOC (10) Cl.** ..... **14-03**
- (52) **U.S. Cl.**  
USPC ..... **D14/230**
- (58) **Field of Classification Search**  
USPC ..... D14/230, 231, 232, 233, 234, 235, 236, D14/237, 238, 138, 299, 358; D12/42, D12/43  
CPC ..... H01Q 7/00; H01Q 13/10; H01Q 9/285; H01Q 19/30; H01Q 19/12; H01Q 1/38; H01Q 1/36; H01Q 1/42; H01Q 1/242; H01Q 1/243; H01Q 1/2266  
See application file for complete search history.

D650,370	S	*	12/2011	Huang	.....	D14/230
D682,813	S	*	5/2013	Huang	.....	D14/230
D694,738	S	*	12/2013	Yang	.....	D14/230
D774,024	S	*	12/2016	Lee	.....	D14/230
2004/0183728	A1	*	9/2004	Zinanti	.....	H01Q 1/085 343/700 MS
2004/0222936	A1	*	11/2004	Hung	.....	H01Q 1/38 343/795
2004/0257291	A1	*	12/2004	Man	.....	H01Q 1/243 343/795
2009/0027275	A1	*	1/2009	Su	.....	H01Q 1/242 343/700 MS
2011/0012789	A1	*	1/2011	Yang	.....	H01Q 1/38 343/700 MS
2012/0229348	A1	*	9/2012	Chiang	.....	H01Q 1/2266 343/702
2012/0306704	A1	*	12/2012	Li	.....	H01Q 1/243 343/702

\* cited by examiner

*Primary Examiner* — Jennifer Rivard

*Assistant Examiner* — Jerry Hsu

(74) *Attorney, Agent, or Firm* — Avery Dennison Retail Information Services, LLC

(57) **CLAIM**

The ornamental design for a tag, as shown and described.

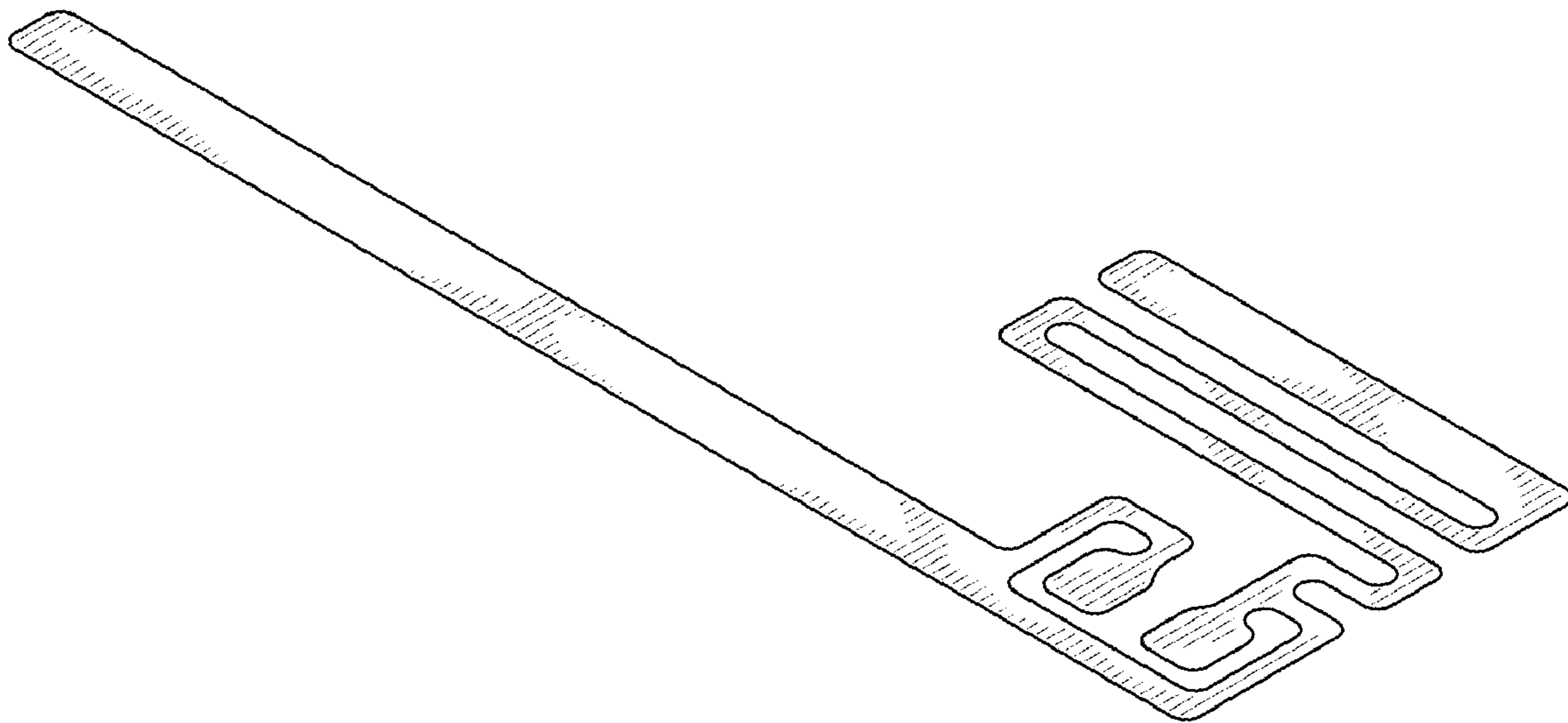
**DESCRIPTION**

FIG. 1 is an isometric view of the tag, showing the new design; and,

FIG. 2 is a top plan view of the tag.

**1 Claim, 2 Drawing Sheets**

- (56) **References Cited**  
U.S. PATENT DOCUMENTS  
7,405,704 B1 \* 7/2008 Lin ..... H01Q 1/2266  
343/700 MS  
D602,010 S \* 10/2009 Yakubo ..... D14/230



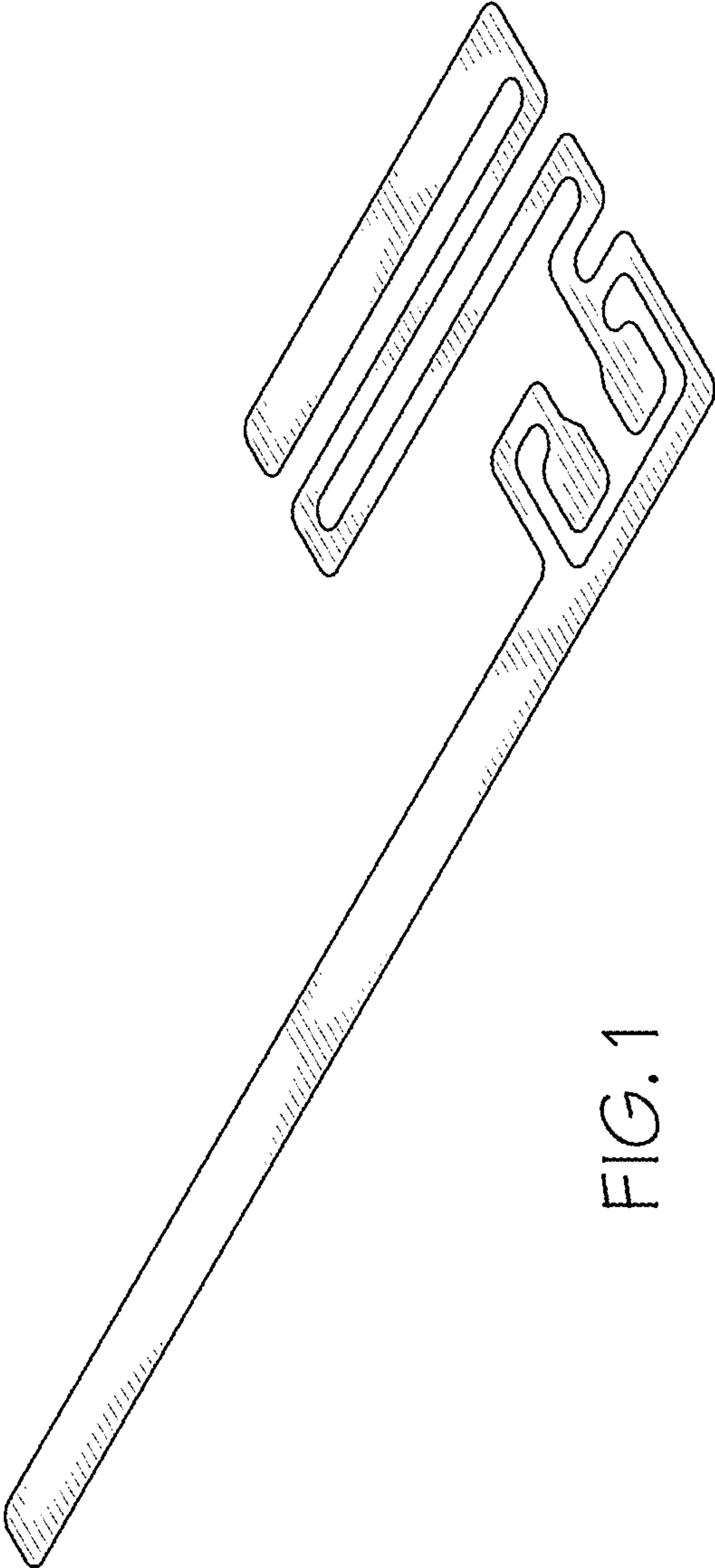


FIG. 1

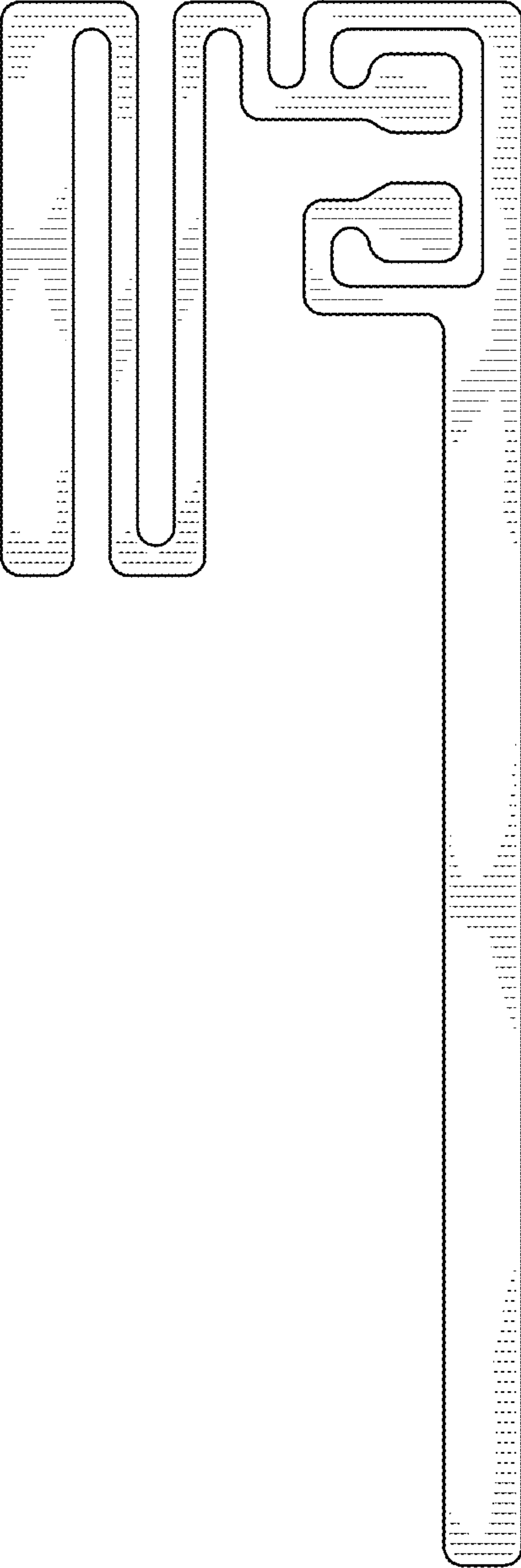


FIG. 2