



US00D788742S

(12) **United States Design Patent**  
**Vellozo Luz et al.**

(10) **Patent No.:** **US D788,742 S**  
(45) **Date of Patent:** **\*\* Jun. 6, 2017**

(54) **SLICE DRUM**

(71) Applicant: **RedDrummer LLC**, New York, NY (US)

(72) Inventors: **Andre Gustavo Vellozo Luz**, New York, NY (US); **Fernanda Souza Vaz De Oliveira**, Sao Paulo (BR)

(73) Assignee: **REDDRUMMER LLC**, New York, NY (US)

(\*\*) Term: **15 Years**

(21) Appl. No.: **29/567,763**

(22) Filed: **Jun. 13, 2016**

**Related U.S. Application Data**

(62) Division of application No. 29/486,338, filed on Mar. 28, 2014, now Pat. No. Des. 758,995.

(51) **LOC (10) Cl.** ..... **14-03**

(52) **U.S. Cl.**  
USPC ..... **D14/217**

(58) **Field of Classification Search**  
USPC ..... D14/128, 217, 239, 299; D16/221, 230, D16/235; D17/22, 99  
CPC ..... G03B 21/145; G03B 21/14; G03B 21/16; G03B 21/28; G03B 21/00; G03B 21/2033; G03B 21/2066; G03B 21/2073; G03B 21/142; G03B 21/20; G03B 21/30; G03B 29/00; G03B 21/008; G03B 21/2086; G03B 21/2093; G03B 21/26; G03B 33/12; G03B 35/16; G03B 35/26; G03B 15/02; G03B

(Continued)

(56) **References Cited**

**U.S. PATENT DOCUMENTS**

D597,589 S 8/2009 Onishi  
D607,921 S 1/2010 Onishi

(Continued)

*Primary Examiner* — Daniel Bui

*Assistant Examiner* — Khawaja Anwar

(74) *Attorney, Agent, or Firm* — Pepper Hamilton LLP

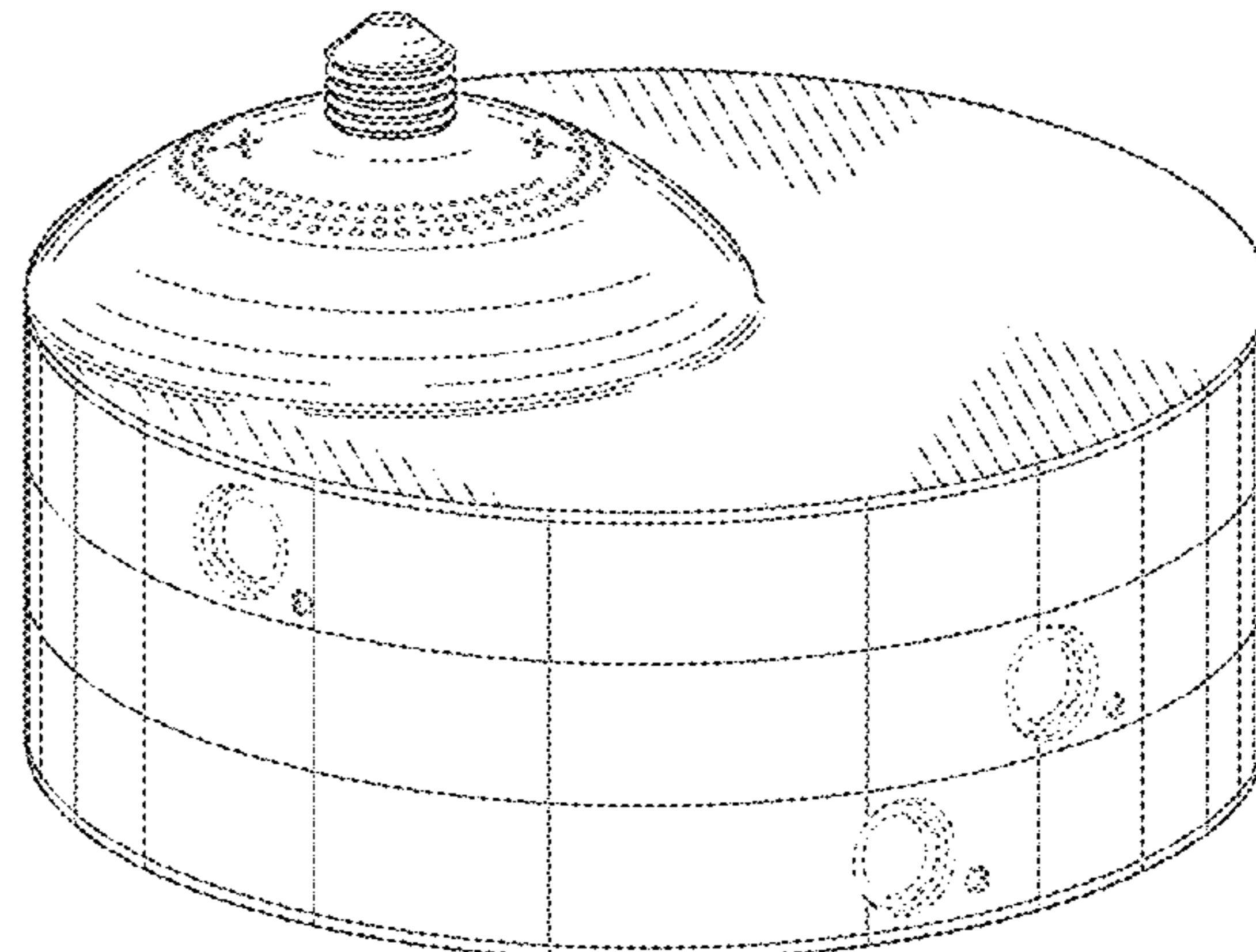
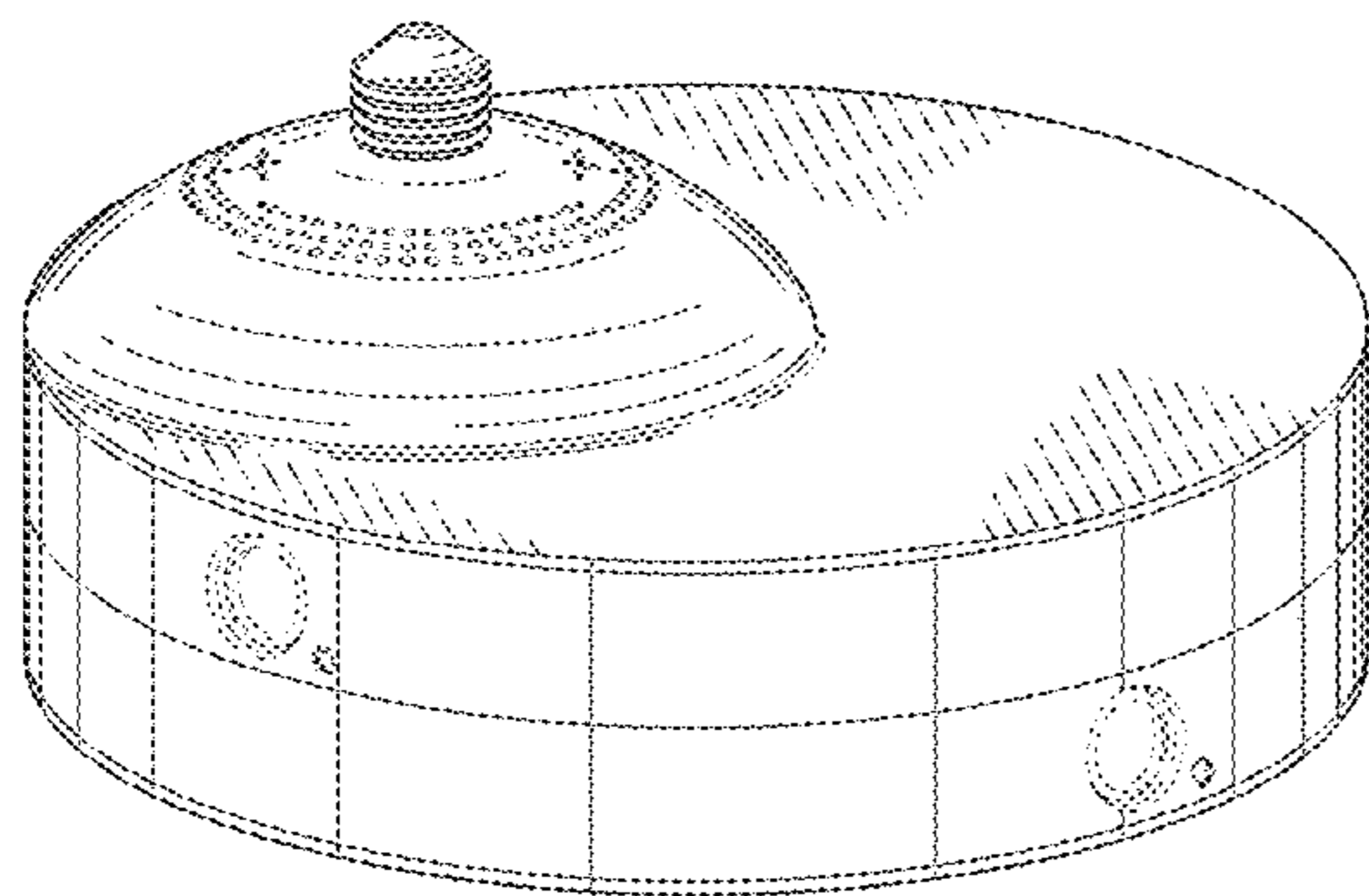
(57) **CLAIM**

The ornamental design for a slice drum, as shown and described.

**DESCRIPTION**

FIG. 1 is a top perspective view of a first embodiment of a slice drum showing our new design; FIG. 2 is a bottom perspective view thereof; FIG. 3 is a top plan view thereof; FIG. 4 is a bottom plan view thereof; FIG. 5 is a front elevation view thereof; FIG. 6 is a back elevation view thereof; FIG. 7 is a right side elevation view thereof; FIG. 8 is a left side elevation view thereof; FIG. 9 is a top perspective view of a second embodiment of a slice drum showing our new design; FIG. 10 is a bottom perspective view thereof; FIG. 11 is a top plan view thereof; FIG. 12 is a bottom plan view thereof; FIG. 13 is a front elevation view thereof; FIG. 14 is a back elevation view thereof; FIG. 15 is a right side elevation view thereof; FIG. 16 is a left side elevation view thereof; FIG. 17 is a top perspective view of a third embodiment of a slice drum showing our new design; FIG. 18 is a bottom perspective view thereof; FIG. 19 is a top plan view thereof; FIG. 20 is a bottom plan view thereof; FIG. 21 is a front elevation view thereof; FIG. 22 is a back elevation view thereof; FIG. 23 is a right side elevation view thereof; and, FIG. 24 is a left side elevation view thereof. The broken line in the figure drawings represents unclaimed environment only and forms no part of the claimed design.

**1 Claim, 19 Drawing Sheets**



(58) **Field of Classification Search**

CPC .... 17/54; G03B 21/005; G03B 21/006; G03B  
21/10; G03B 21/13; G03B 21/132; G03B  
21/202; G03B 21/2026; G03B 21/2046;  
G03B 21/206; G03B 21/43; G03B 21/53;  
H04N 9/31

See application file for complete search history.

(56) **References Cited**

U.S. PATENT DOCUMENTS

D692,943 S	*	11/2013	Tatsumi	.....	D17/22
D730,972 S		6/2015	Georges		
D742,430 S	*	11/2015	Moris	.....	D15/78
D758,995 S	*	6/2016	Vellozo Luz	.....	D14/217

\* cited by examiner

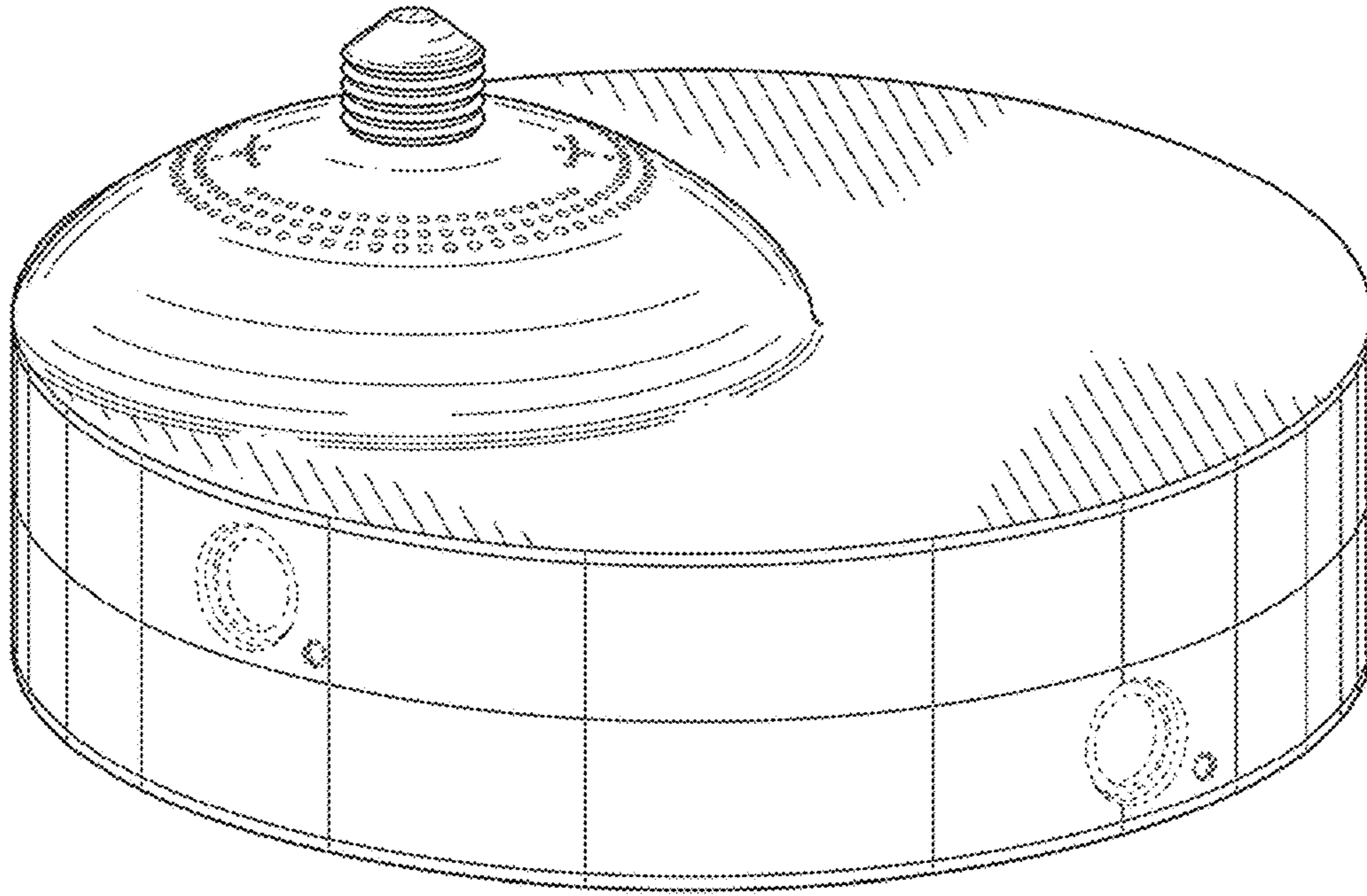


FIG. 1

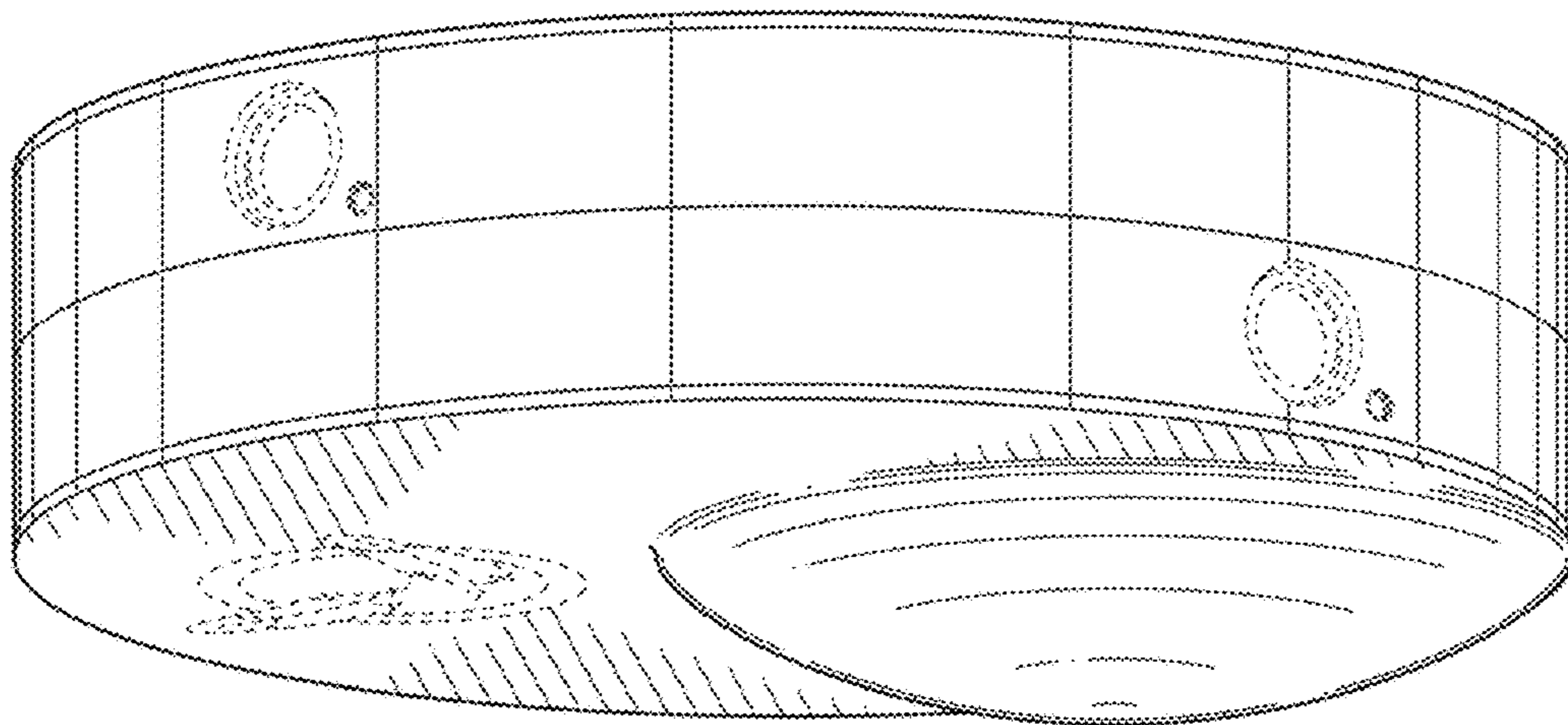


FIG. 2

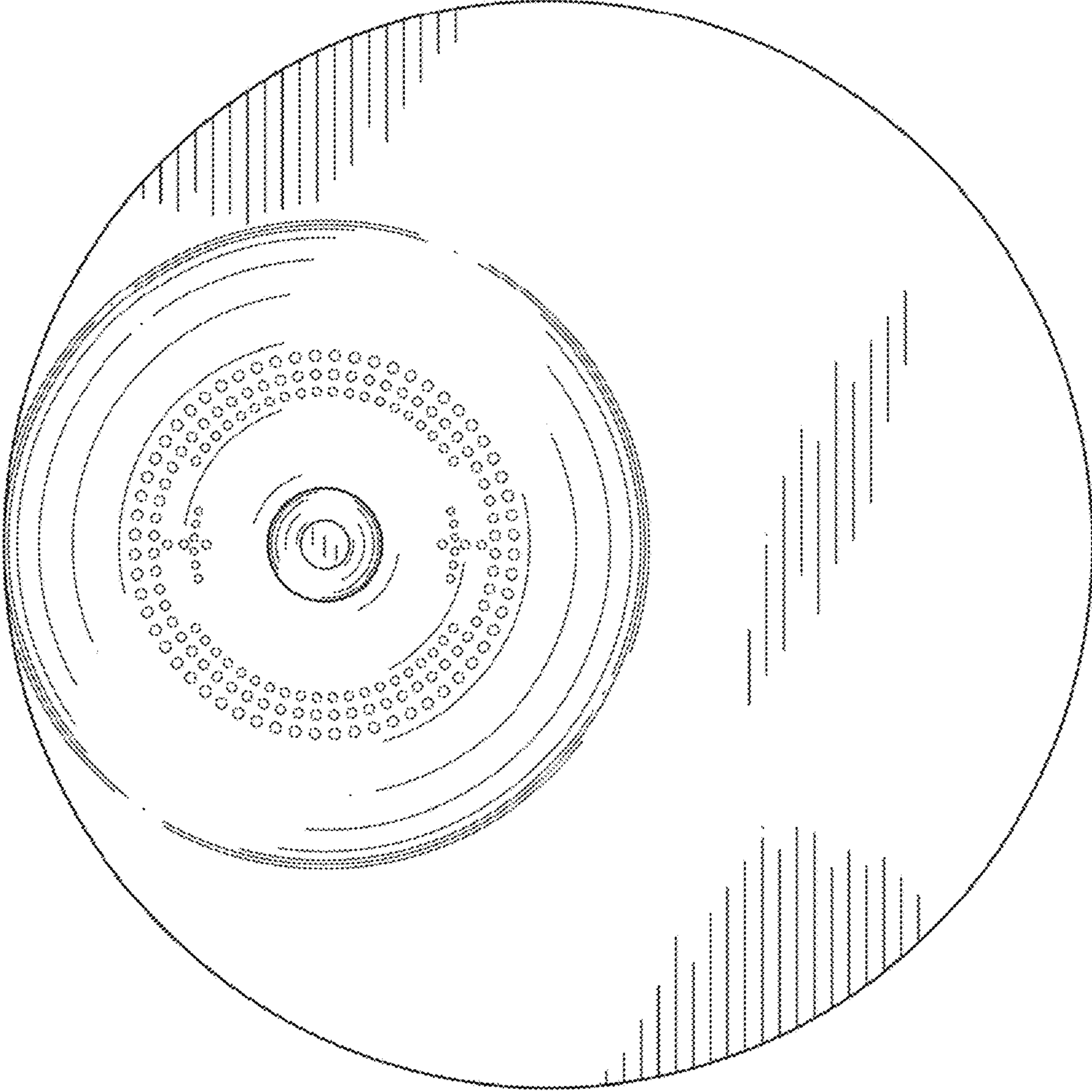


FIG. 3

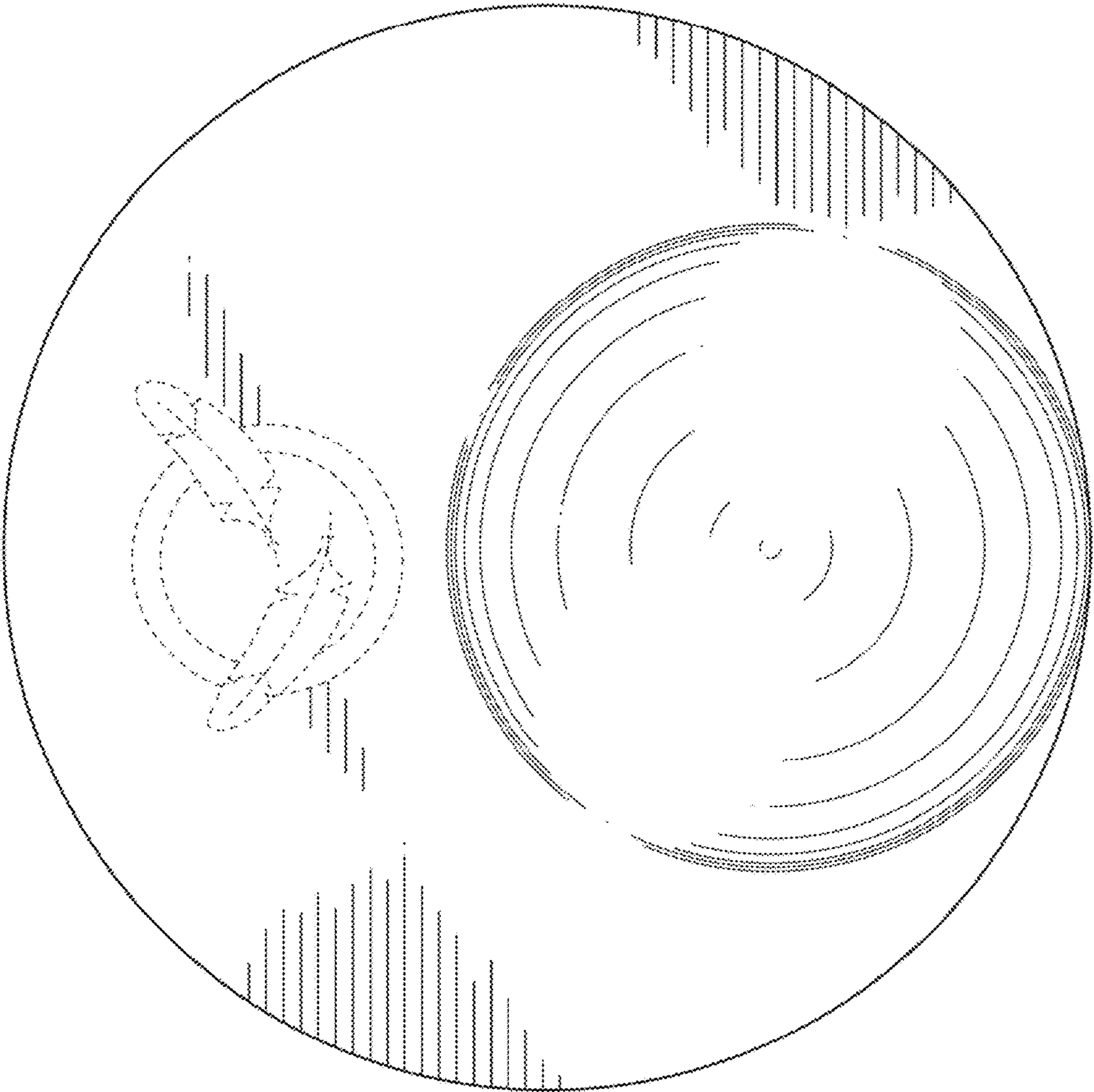


FIG. 4

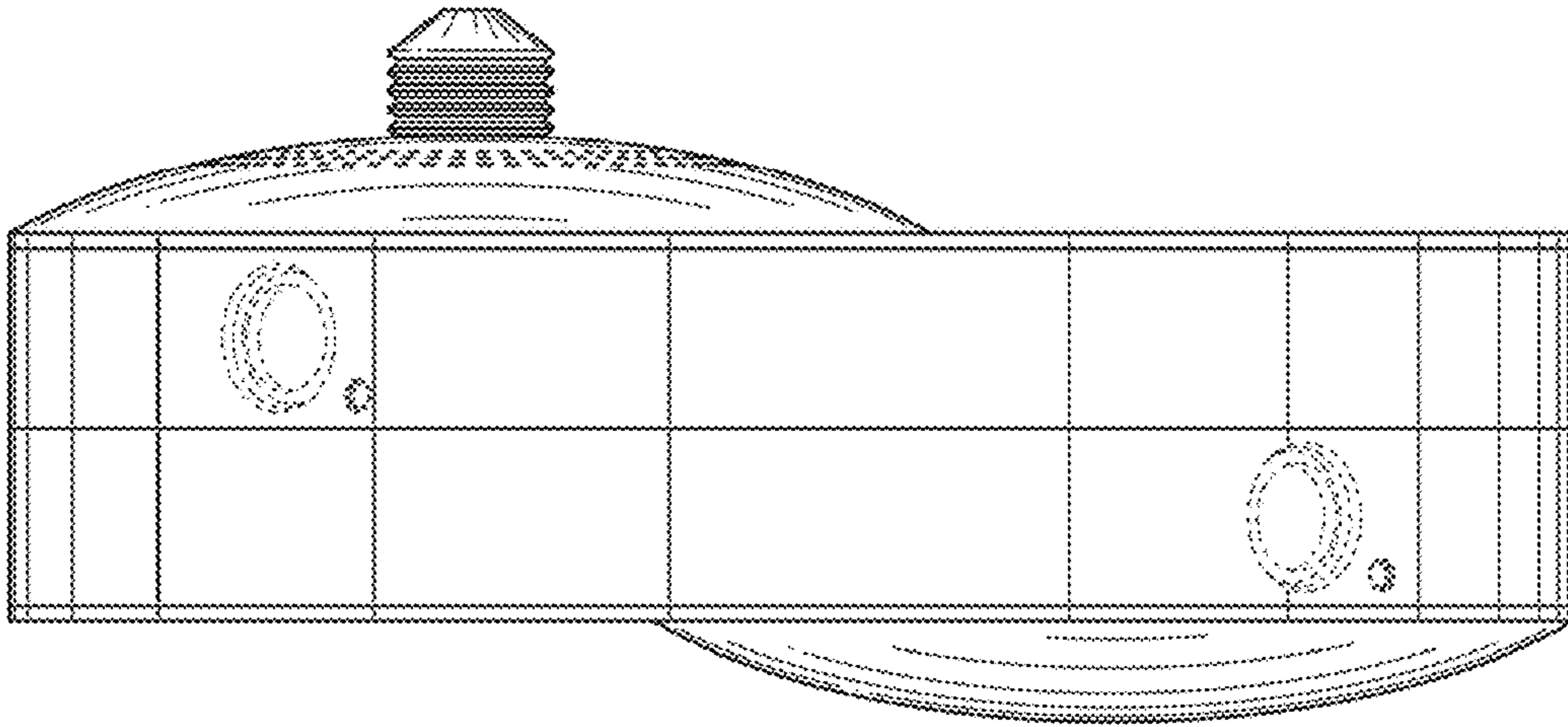


FIG. 5

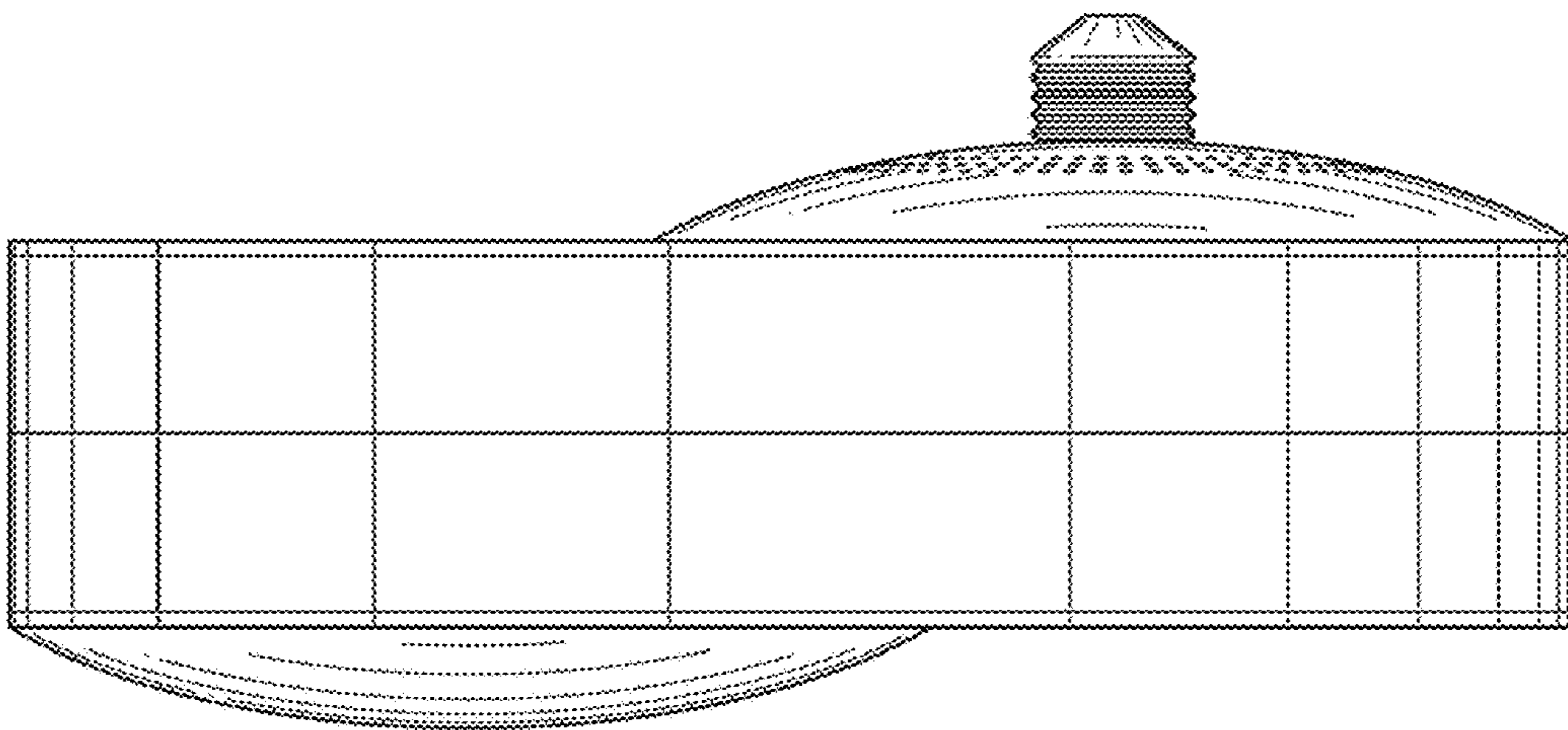


FIG. 6

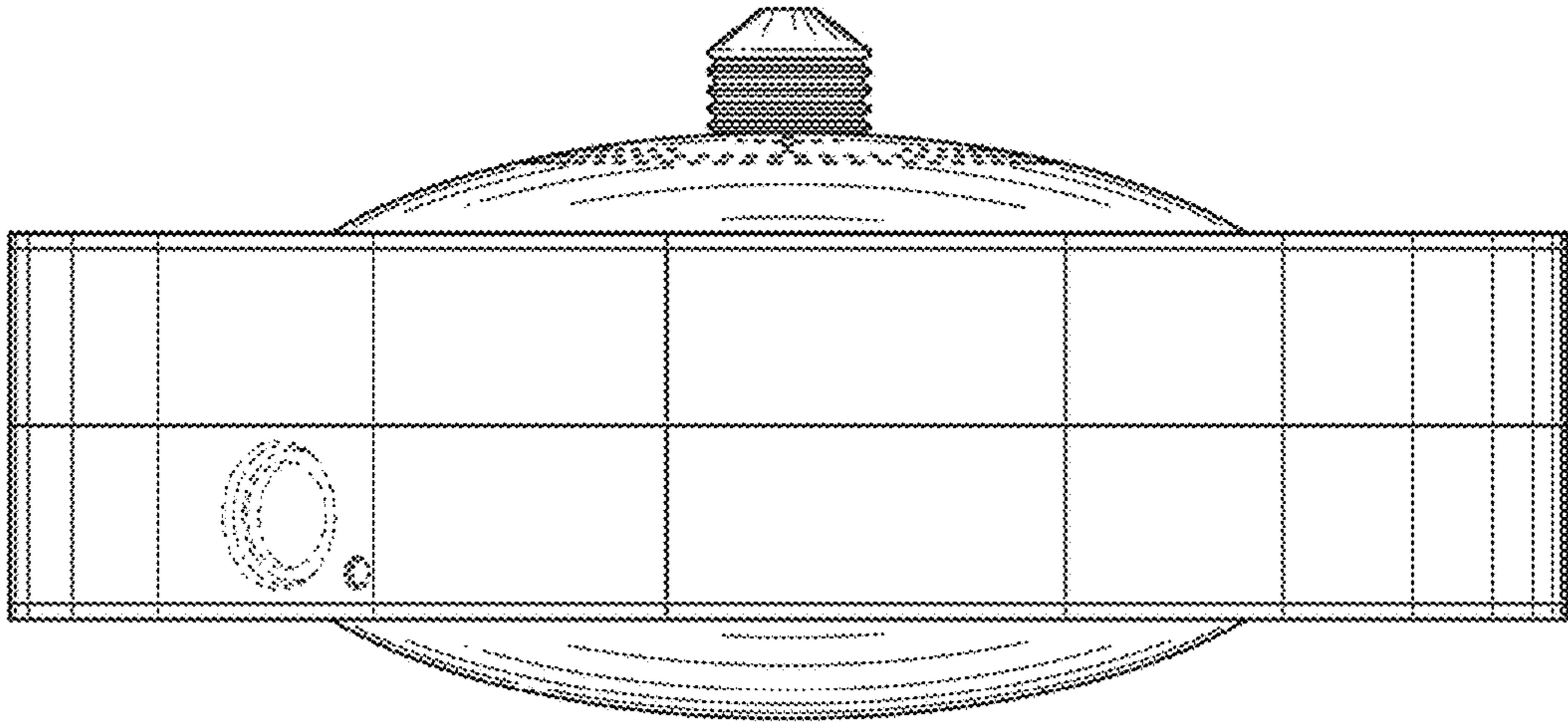


FIG. 7

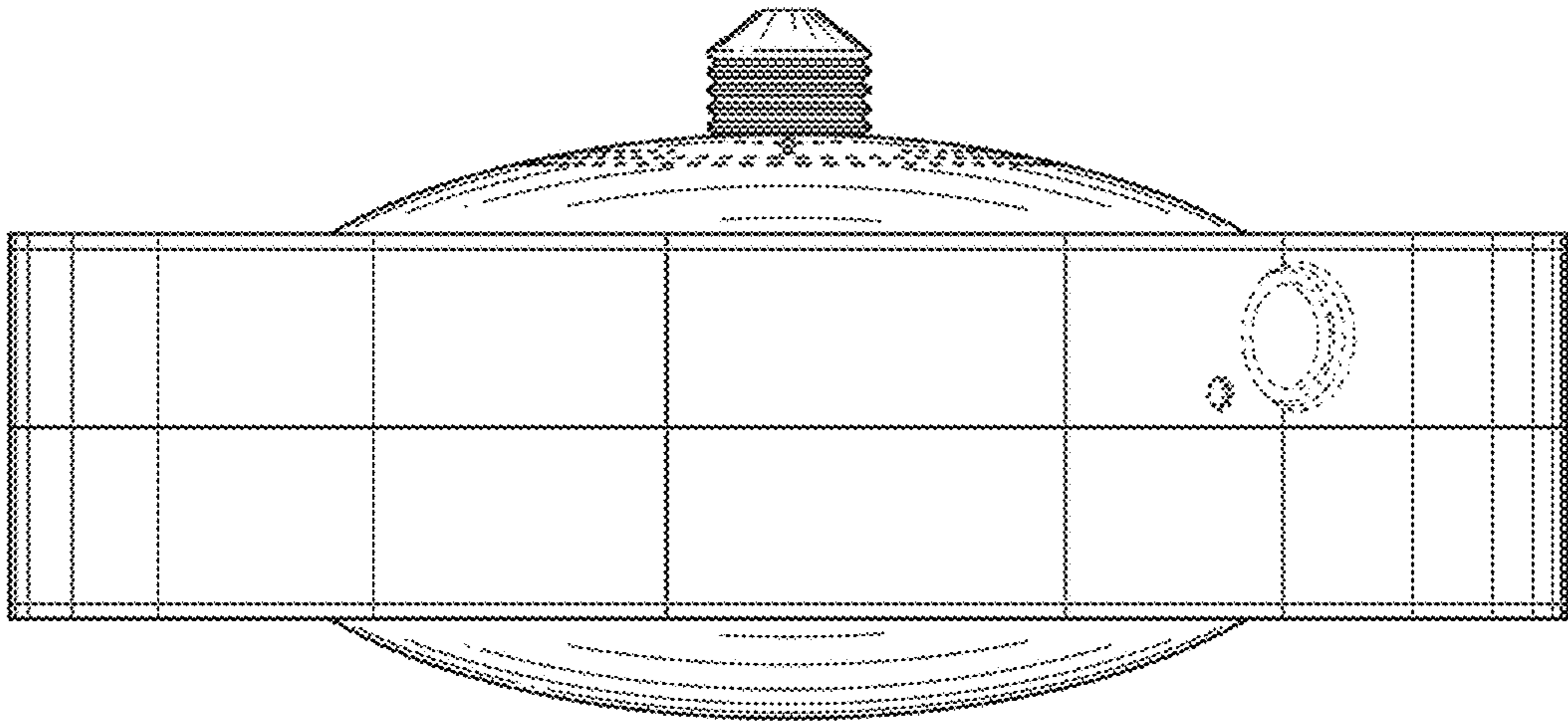


FIG. 8

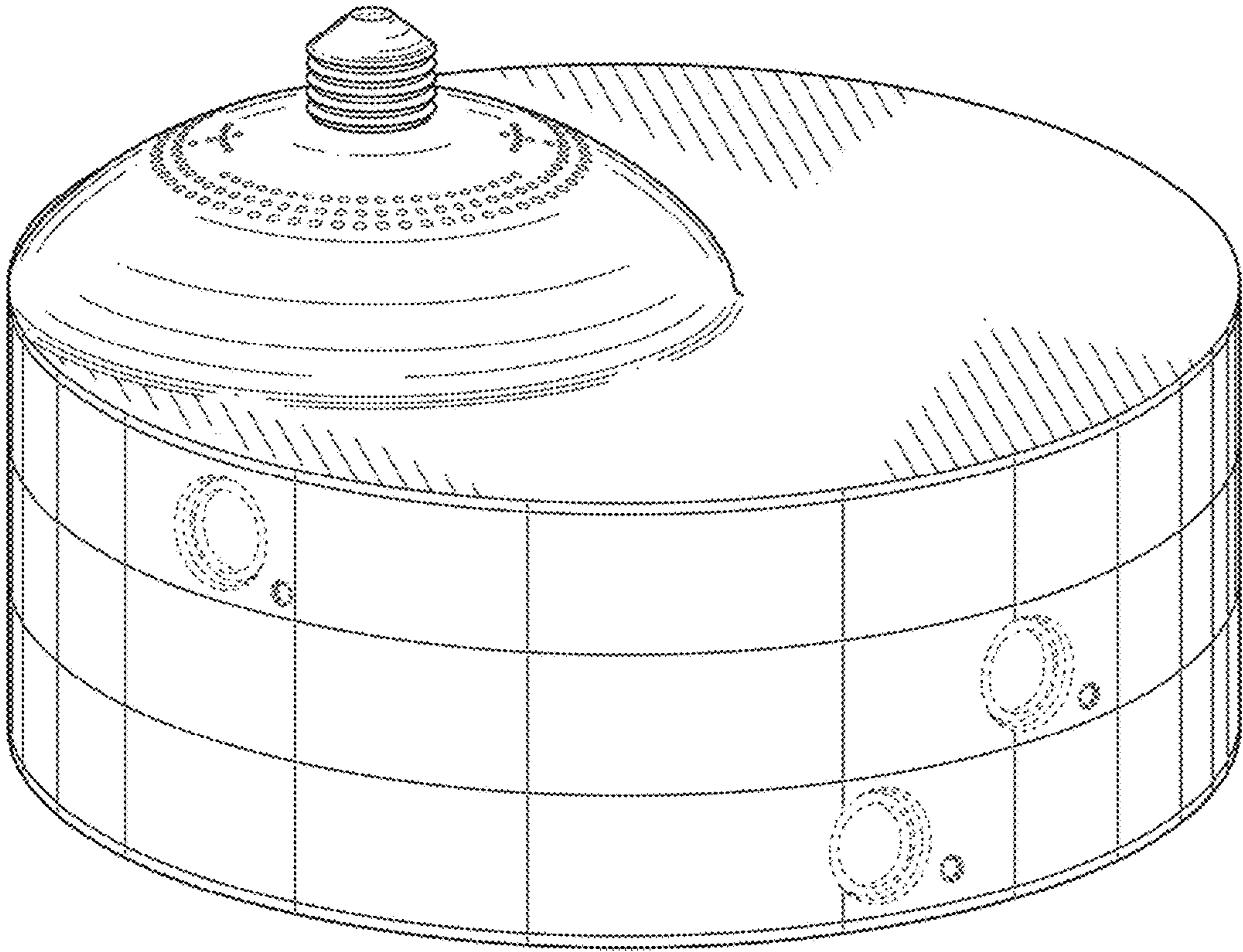


FIG. 9



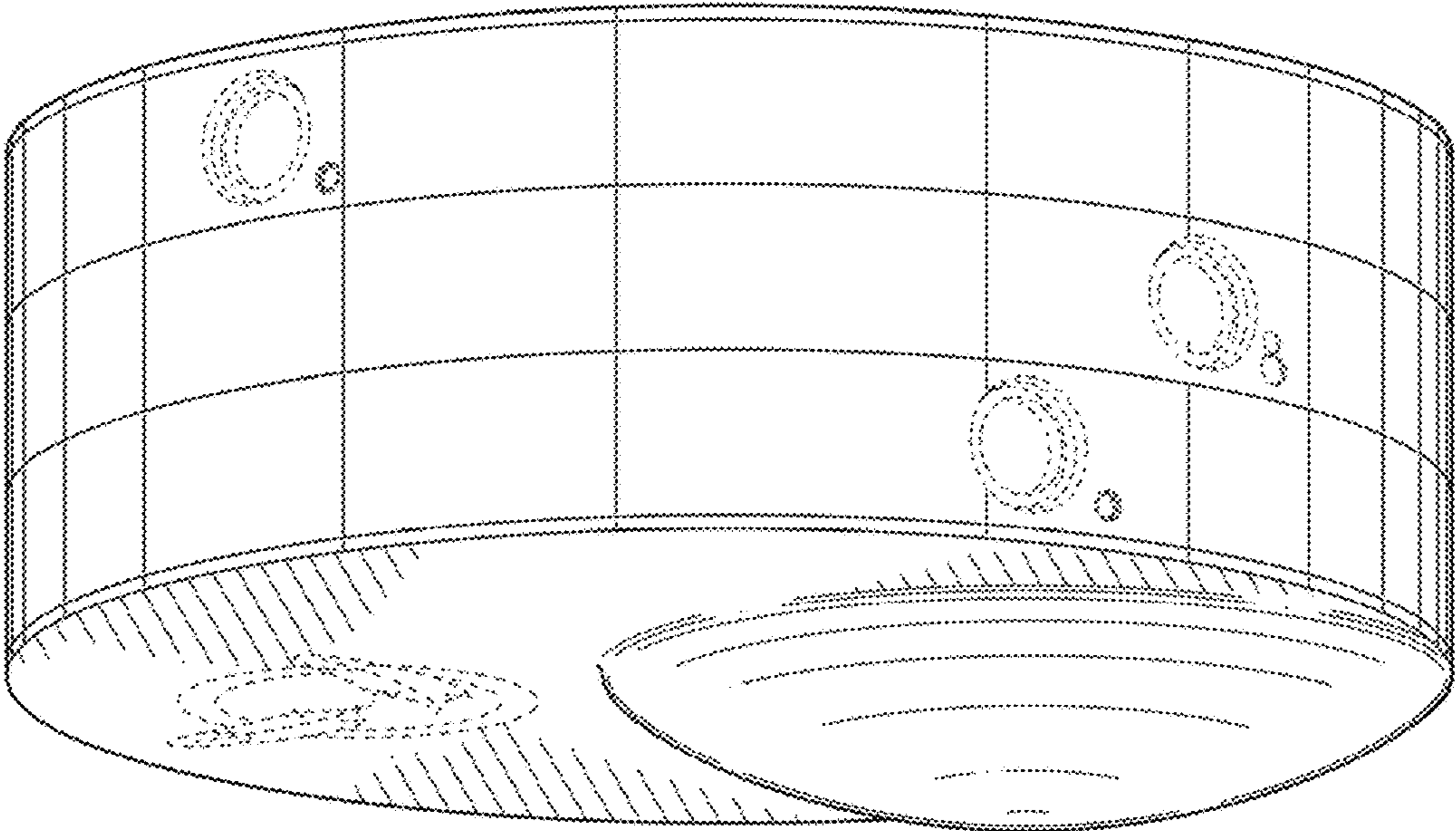


FIG. 10



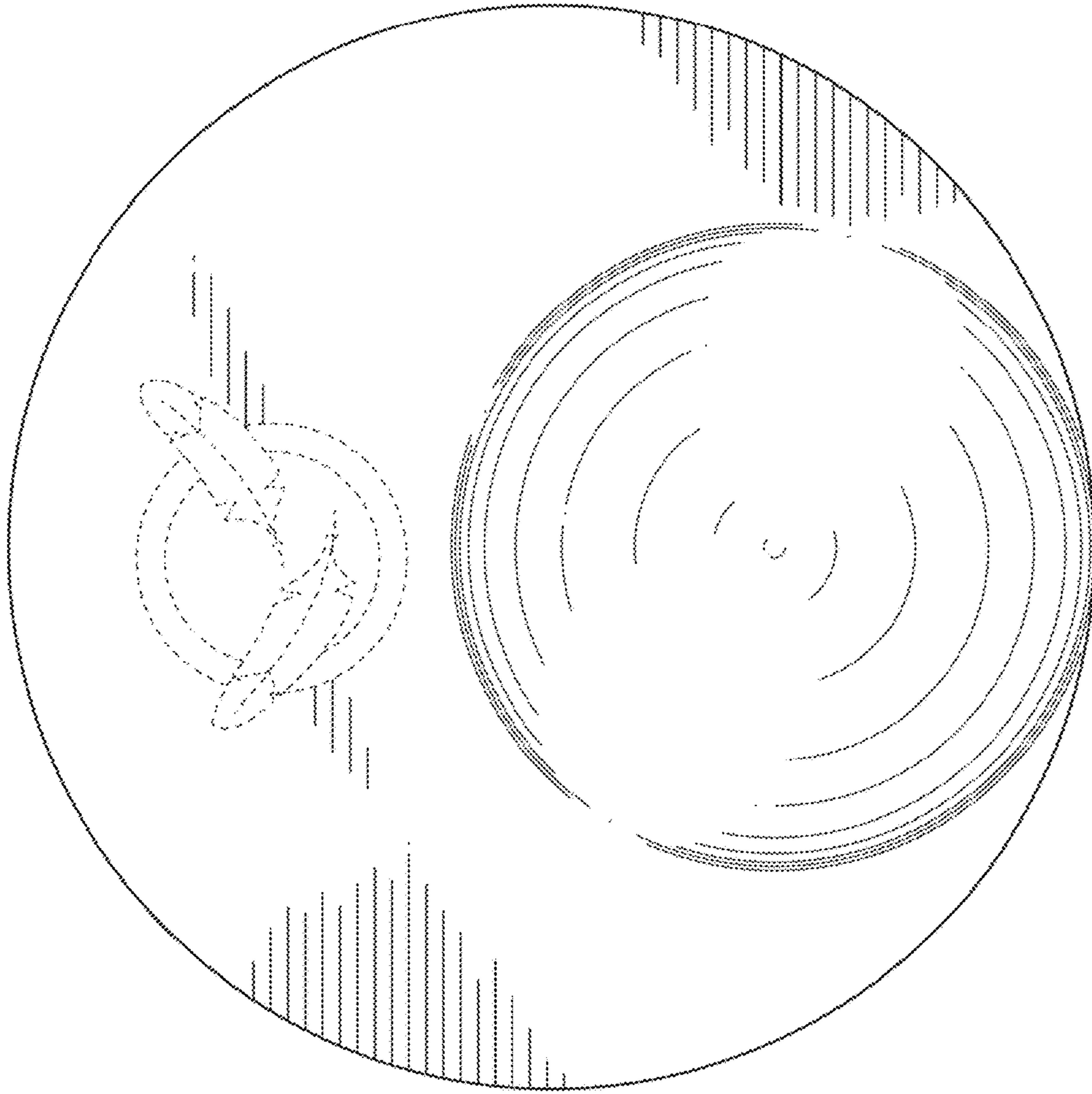


FIG. 12

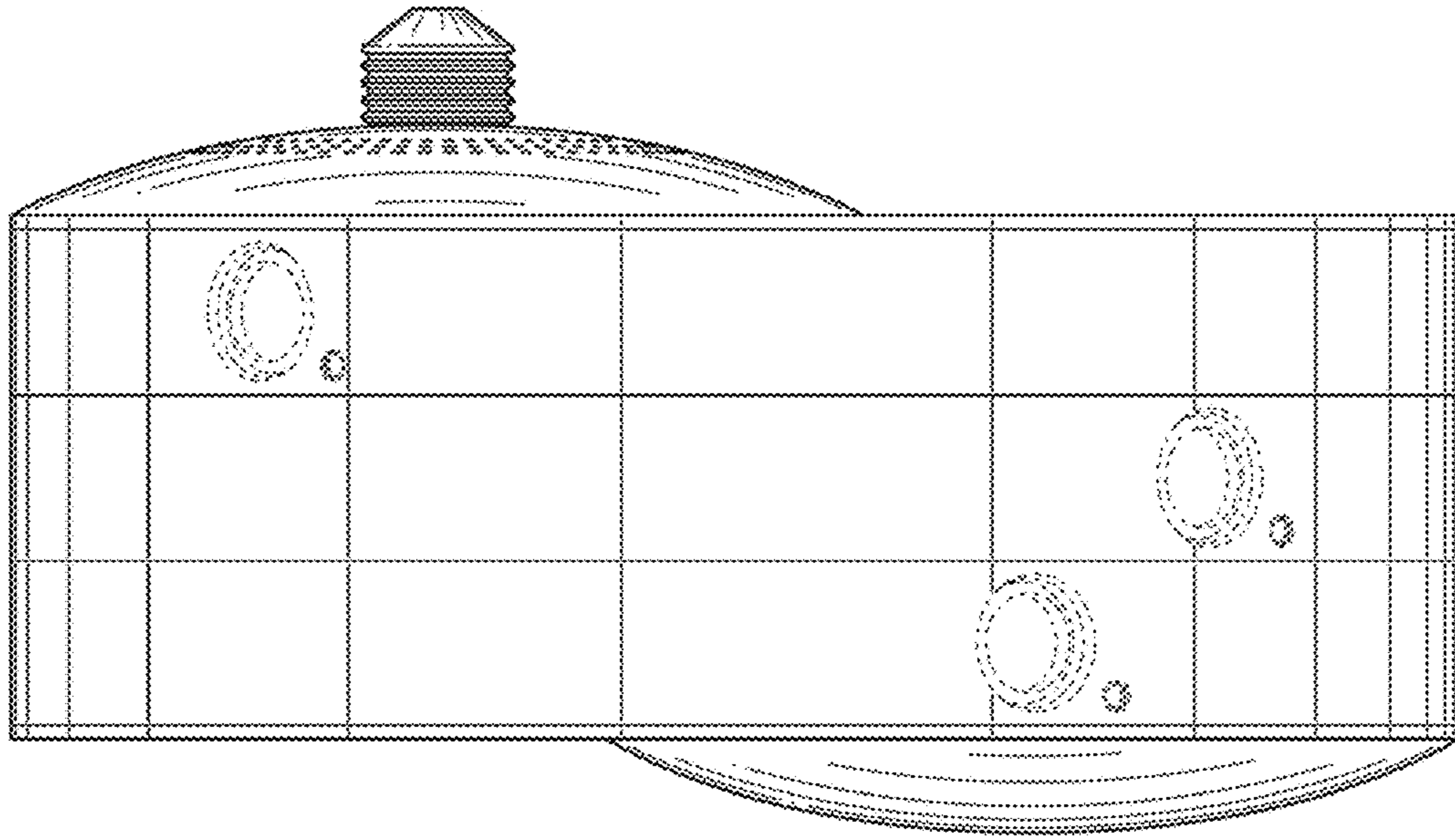


FIG. 13

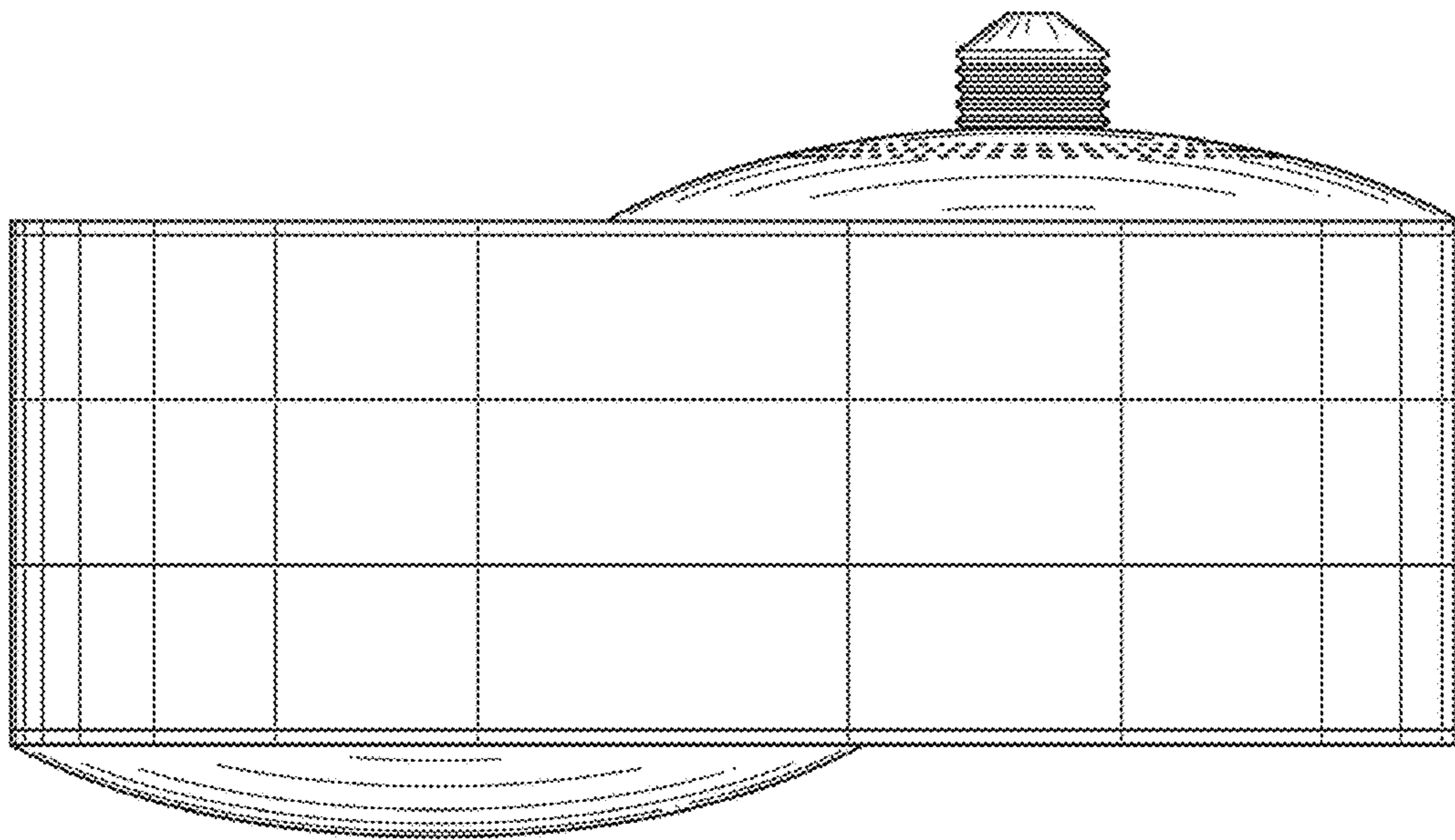


FIG. 14

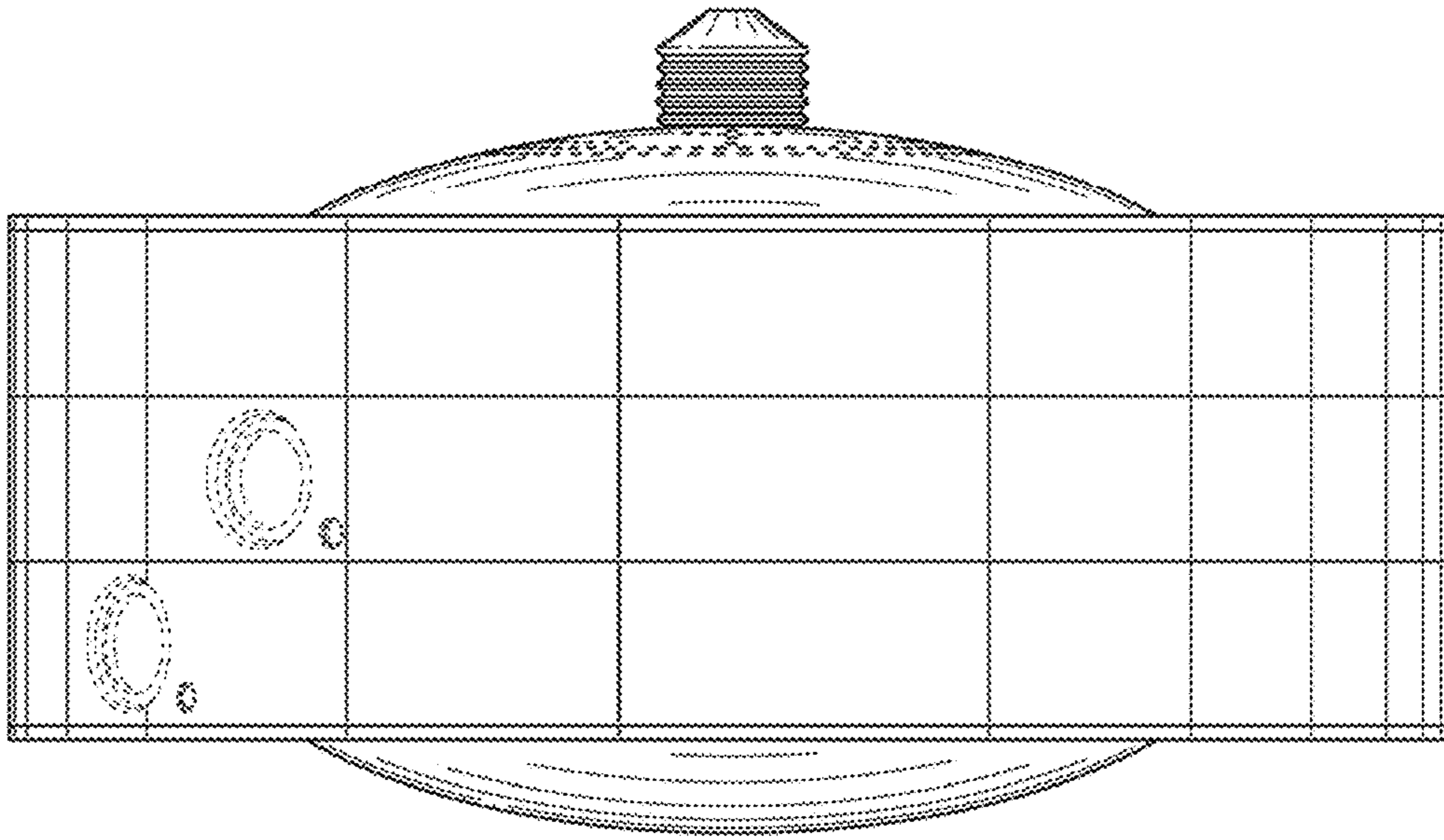


FIG. 15

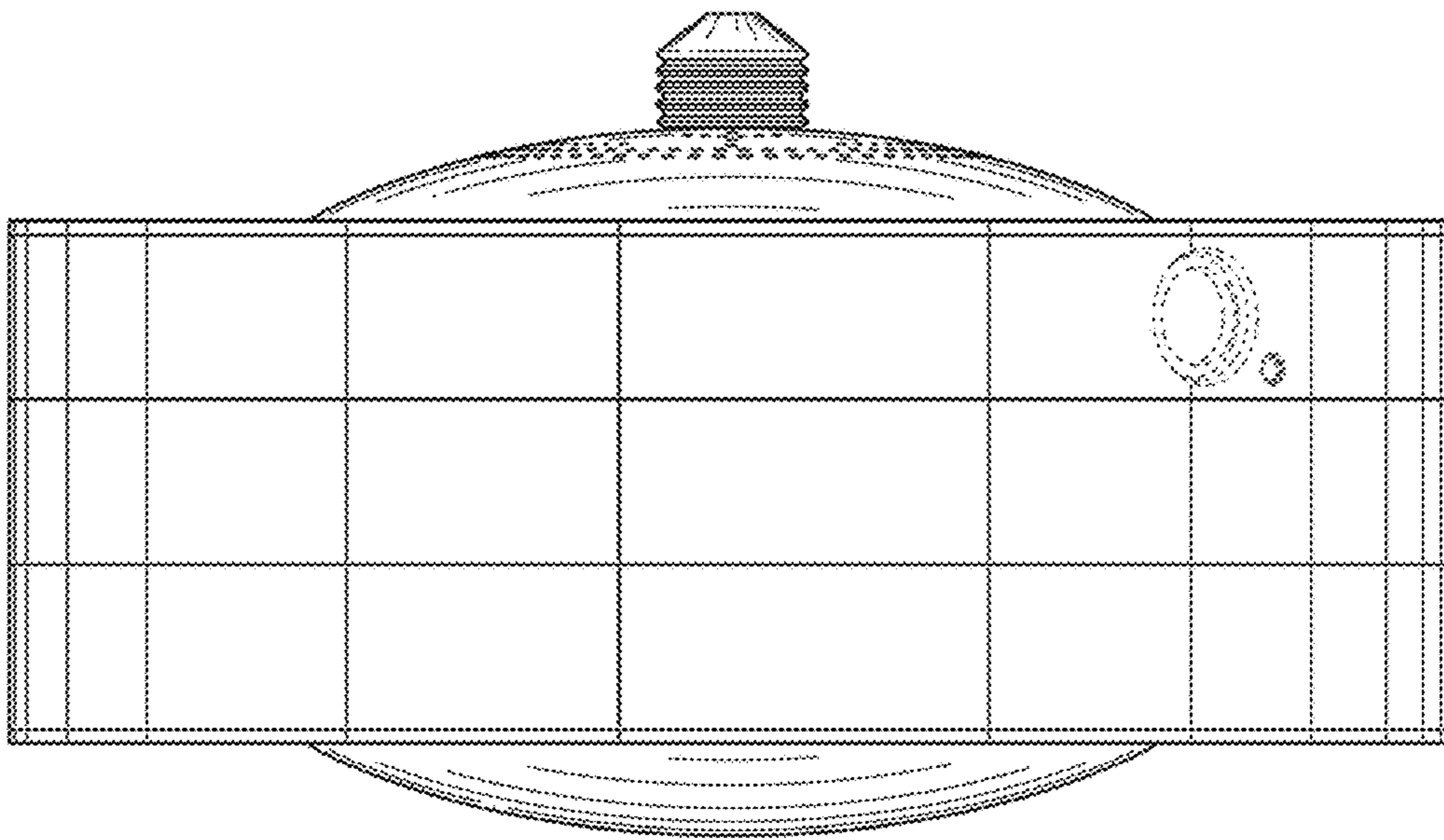


FIG. 16

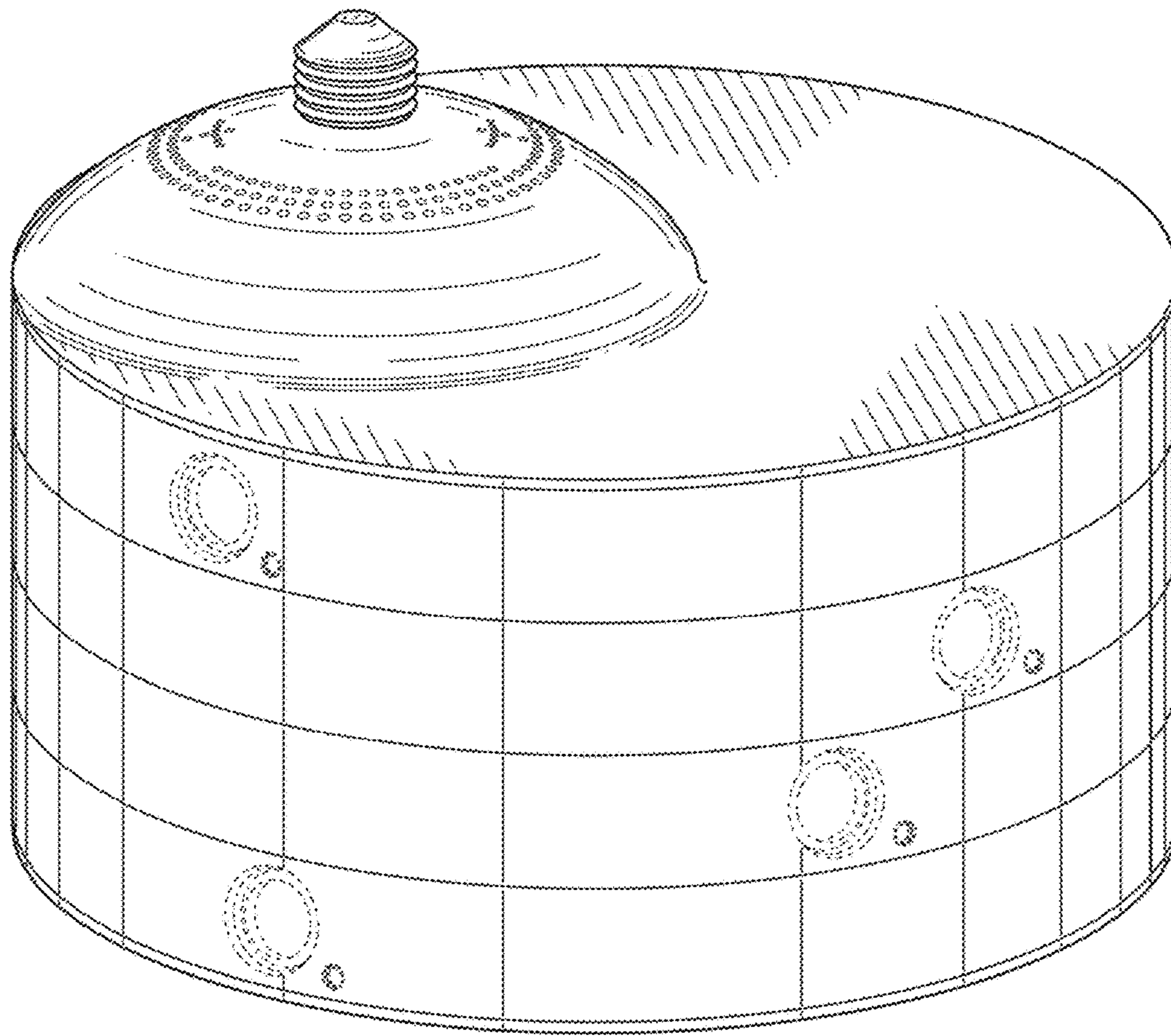


FIG. 17

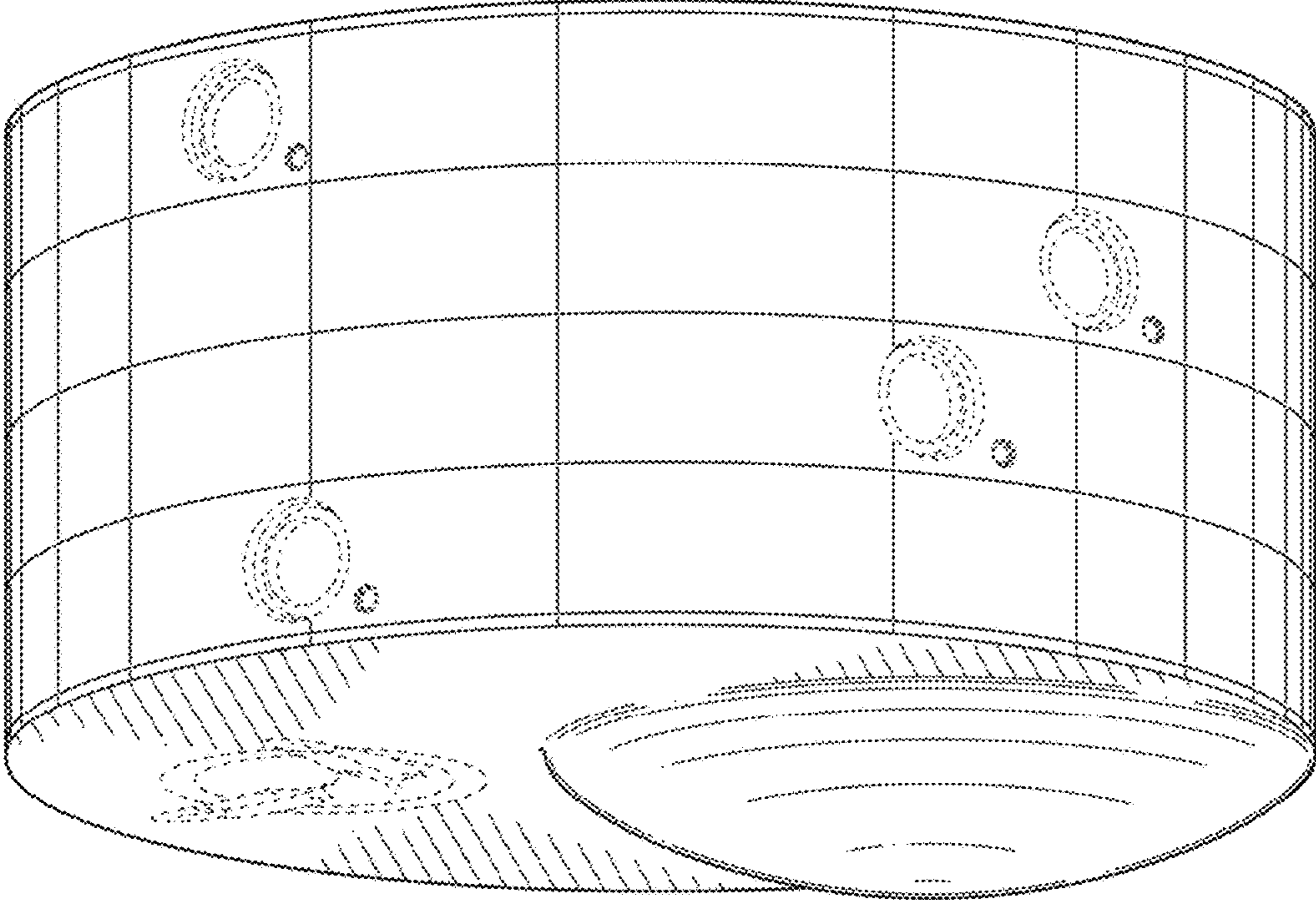


FIG. 18

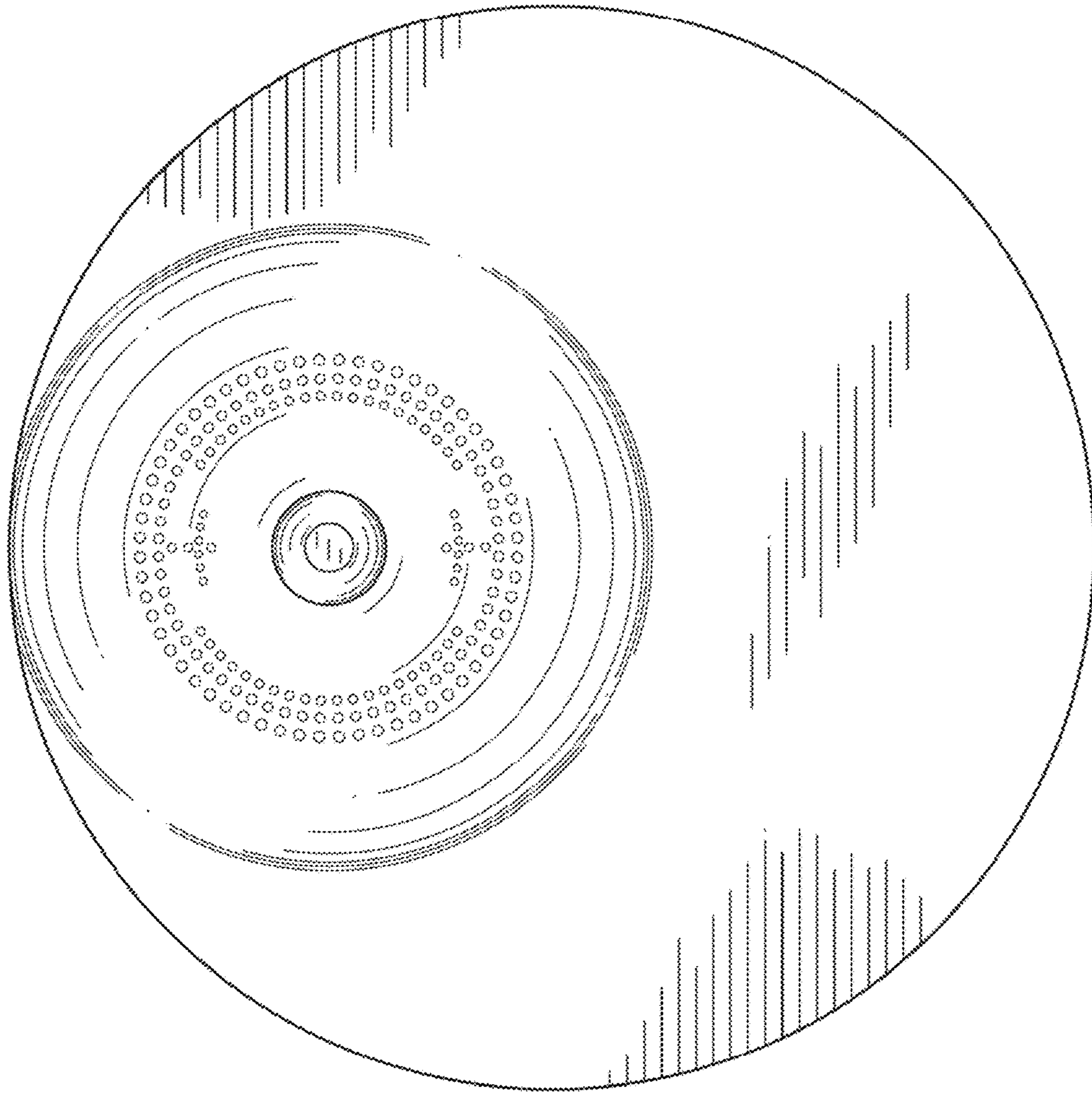


FIG. 19



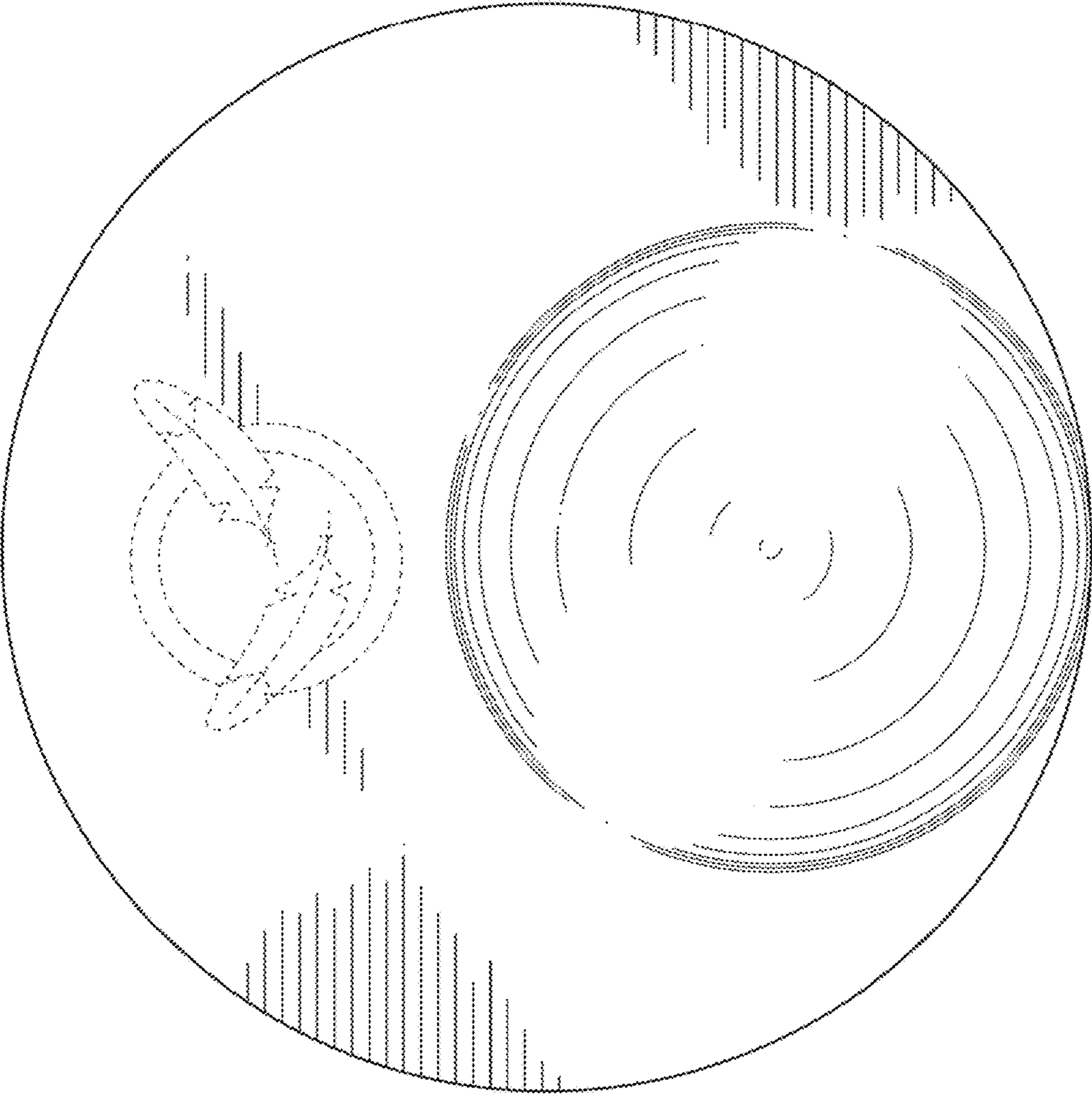


FIG. 20

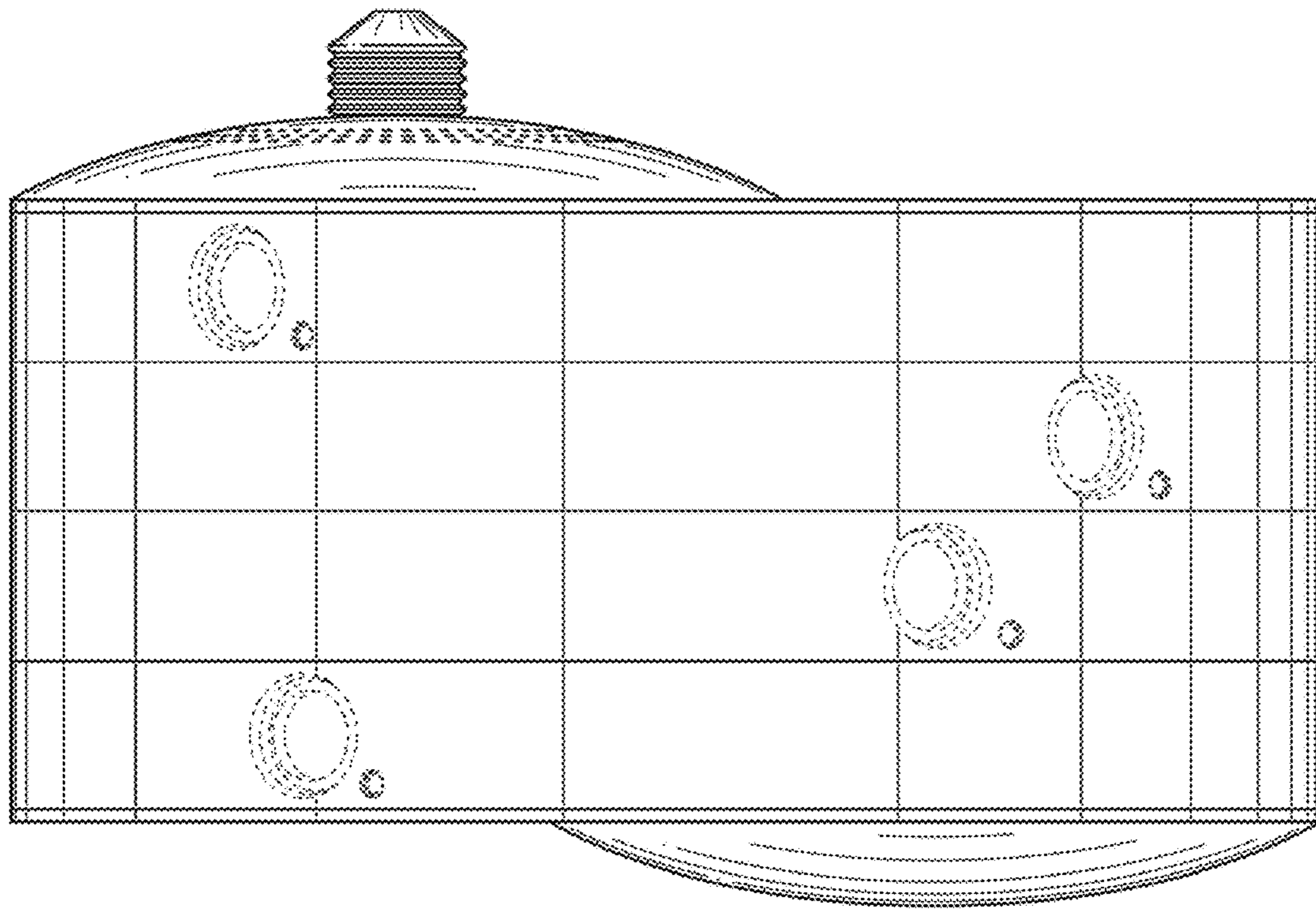


FIG. 21

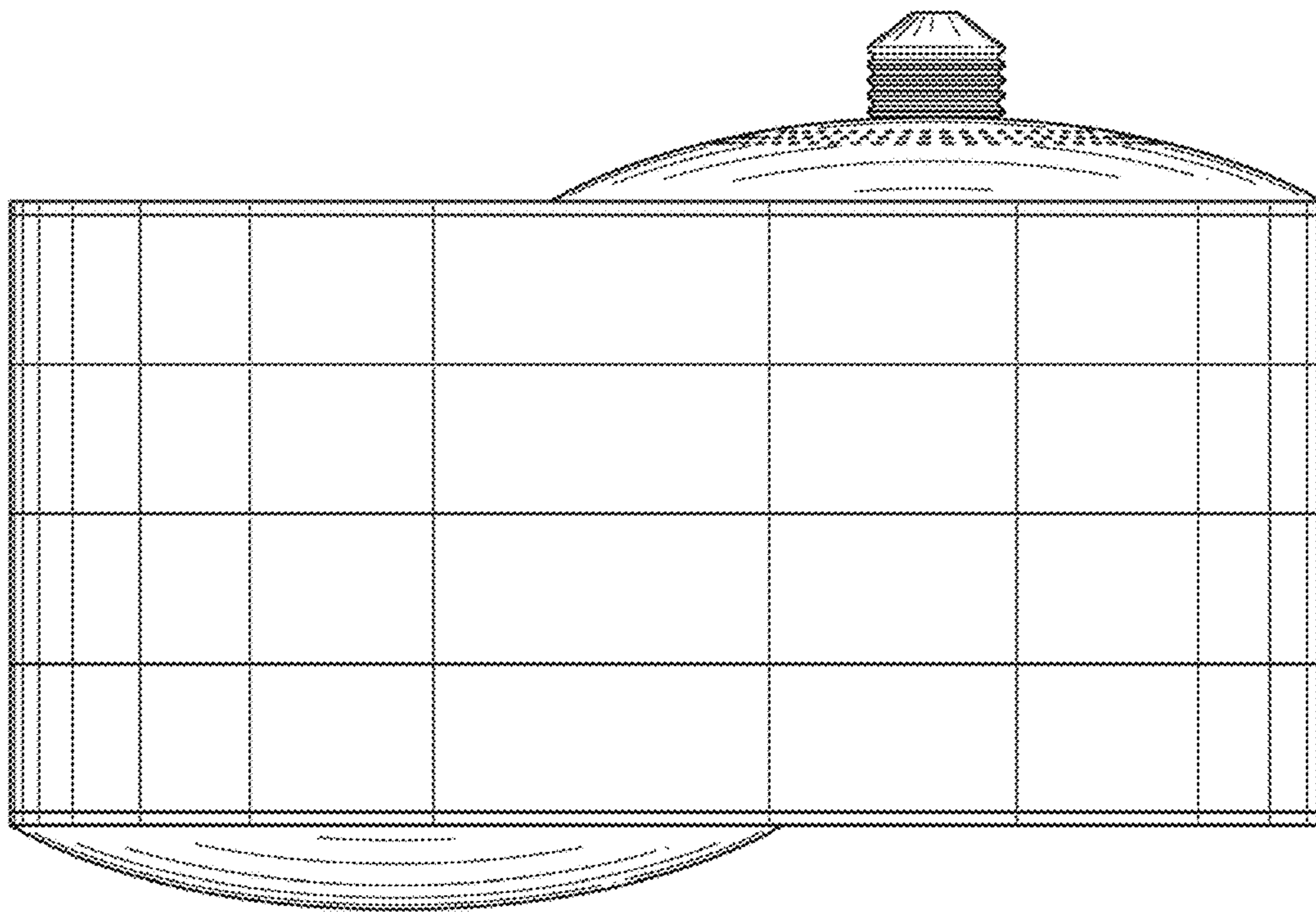


FIG. 22

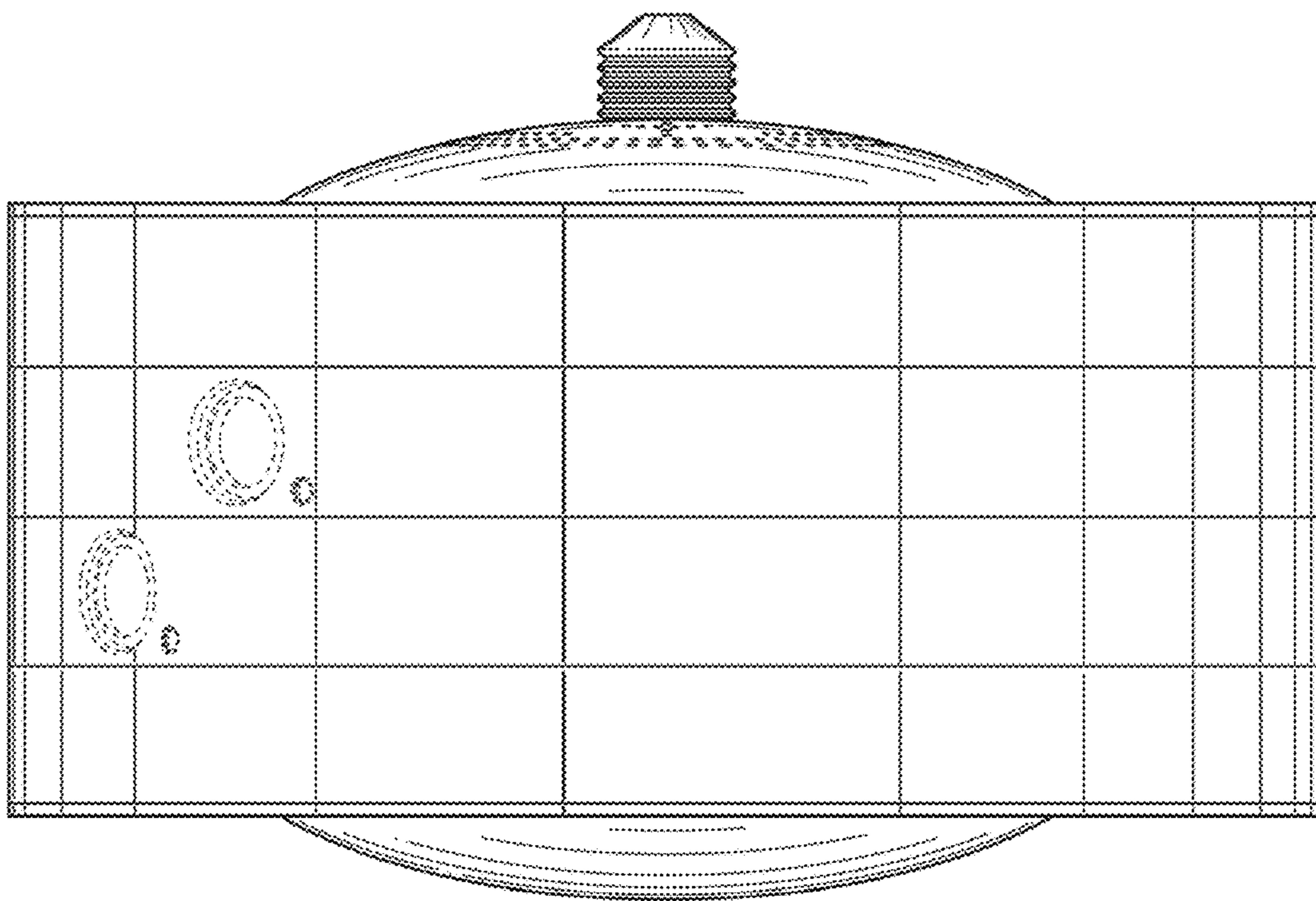


FIG. 23

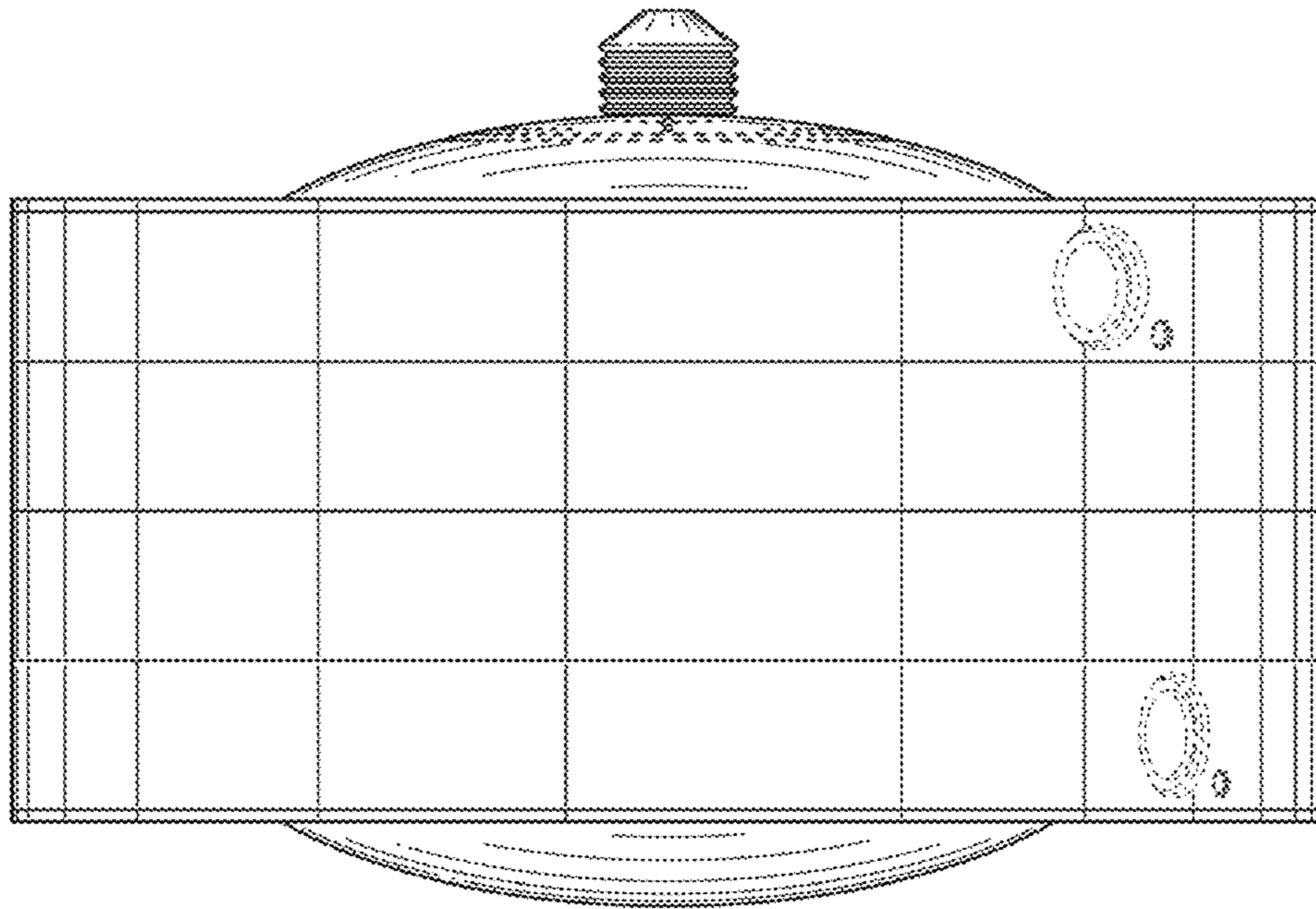


FIG. 24