



US00D788740S

(12) **United States Design Patent** (10) **Patent No.:** **US D788,740 S**  
**DeVesto** (45) **Date of Patent:** **\*\* Jun. 6, 2017**

(54) **AUDIO SYSTEM**

(71) Applicant: **Como Audio LLC**, Boston, MA (US)

(72) Inventor: **Thomas J. DeVesto**, Cotuit, MA (US)

(73) Assignee: **Como Audio LLC**, Boston, MA (US)

(\*\*) Term: **15 Years**

(21) Appl. No.: **29/563,245**

(22) Filed: **May 3, 2016**

(51) **LOC (10) Cl.** ..... **14-01**

(52) **U.S. Cl.**

USPC ..... **D14/172; D14/209.1; D14/188**

(58) **Field of Classification Search**

USPC .... **D14/204, 204.1, 210–216, 172, 188–198, D14/203.1–203.8, 496; 181/143, 144,**

(Continued)

(56) **References Cited**

**U.S. PATENT DOCUMENTS**

3,512,605 A \* 5/1970 McCorkle ..... B60N 2/4876  
181/141

4,388,492 A \* 6/1983 Sato ..... H04R 5/02  
381/304

(Continued)

*Primary Examiner* — Prabhakar Deshmukh

(74) *Attorney, Agent, or Firm* — Hamilton, Brook, Smith & Reynolds, P.C.

(57) **CLAIM**

The ornamental design for an audio system, as shown and described.

**DESCRIPTION**

FIG. 1 is a front, top and left side perspective view of an audio system showing my new design;

FIG. 2 is a front, top and right side perspective view thereof;

FIG. 3 is a rear, top and left side perspective view thereof;

FIG. 4 is a rear, top and right side perspective view thereof;

FIG. 5 is a front elevation view thereof;

FIG. 6 is a rear elevation view thereof;

FIG. 7 is a top plan view thereof;

FIG. 8 is a bottom plan view thereof;

FIG. 9 is a left side elevation view thereof;

FIG. 10 is a right side elevation view thereof;

FIG. 11 is a front, top and left side perspective view of the second embodiment thereof;

FIG. 12 is a front, top and right side perspective view of the second embodiment thereof;

FIG. 13 is a rear, top and left side perspective view of the second embodiment thereof;

FIG. 14 is a rear, top and right side perspective view of the second embodiment thereof;

FIG. 15 is a front elevation view of the second embodiment thereof;

FIG. 16 is a rear elevation view of the second embodiment thereof;

FIG. 17 is a top plan view of the second embodiment thereof;

FIG. 18 is a bottom plan view of the second embodiment thereof;

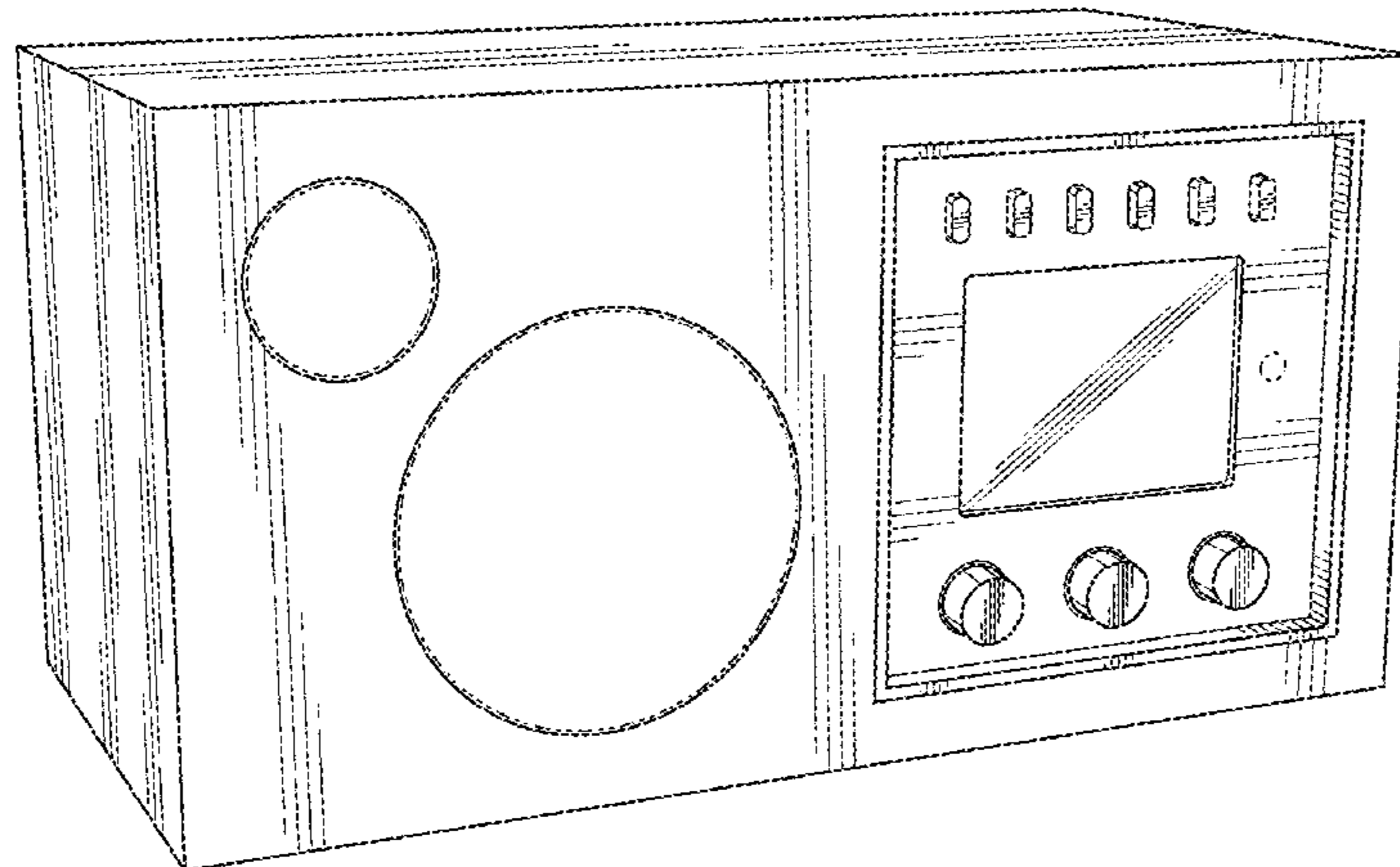
FIG. 19 is a left side elevation view of the second embodiment thereof; and,

FIG. 20 is a right side elevation view of the second embodiment thereof.

As an example of the nature and intended use of the article, the audio system may, for example, be used as a music system, an internet-connected audio system, a wirelessly-connected audio system, an audio system with television optical input, a radio receiver, a smart device-connected audio system, such as a tablet-device connected audio system or mobile-phone connected audio system, a soundbar for a television, and a soundbase for a television.

Portions of the drawings shown in broken lines represent environmental structure only and do not form a part of the claimed design. The broken line circles within the loudspeakers show that any ornamental appearance may be used for the loudspeaker surfaces, and do not form a part of the claimed design.

**1 Claim, 20 Drawing Sheets**



(58) **Field of Classification Search**

USPC ..... 181/147, 148, 150–153, 157, 198, 199;  
381/300–306, 332, 333, 336, 345,  
381/361–364; 369/6–12; 379/342–344;  
455/90.1, 90.3, 344–355  
CPC ..... H04B 1/06; H04B 1/08; H04B 1/086;  
H04M 1/04; H04M 1/21; H04W 4/02;  
H04W 4/06

See application file for complete search history.

(56) **References Cited**

U.S. PATENT DOCUMENTS

D347,765 S \* 6/1994 Unkefer ..... D14/168  
5,471,659 A \* 11/1995 Wong ..... H04B 1/086  
455/132  
5,546,468 A \* 8/1996 Beard ..... B60R 11/0217  
181/145  
5,883,859 A \* 3/1999 Bentley ..... G04G 21/00  
368/10  
D551,679 S \* 9/2007 Hayes ..... D14/188  
D563,390 S \* 3/2008 Vafiadis ..... D14/188  
D689,460 S \* 9/2013 Chen ..... D14/172  
D715,762 S \* 10/2014 Chong ..... D14/195  
D746,789 S \* 1/2016 DeVesto ..... D14/188  
D748,075 S \* 1/2016 McManigal ..... D14/214  
D749,541 S \* 2/2016 Wong ..... D14/170

\* cited by examiner

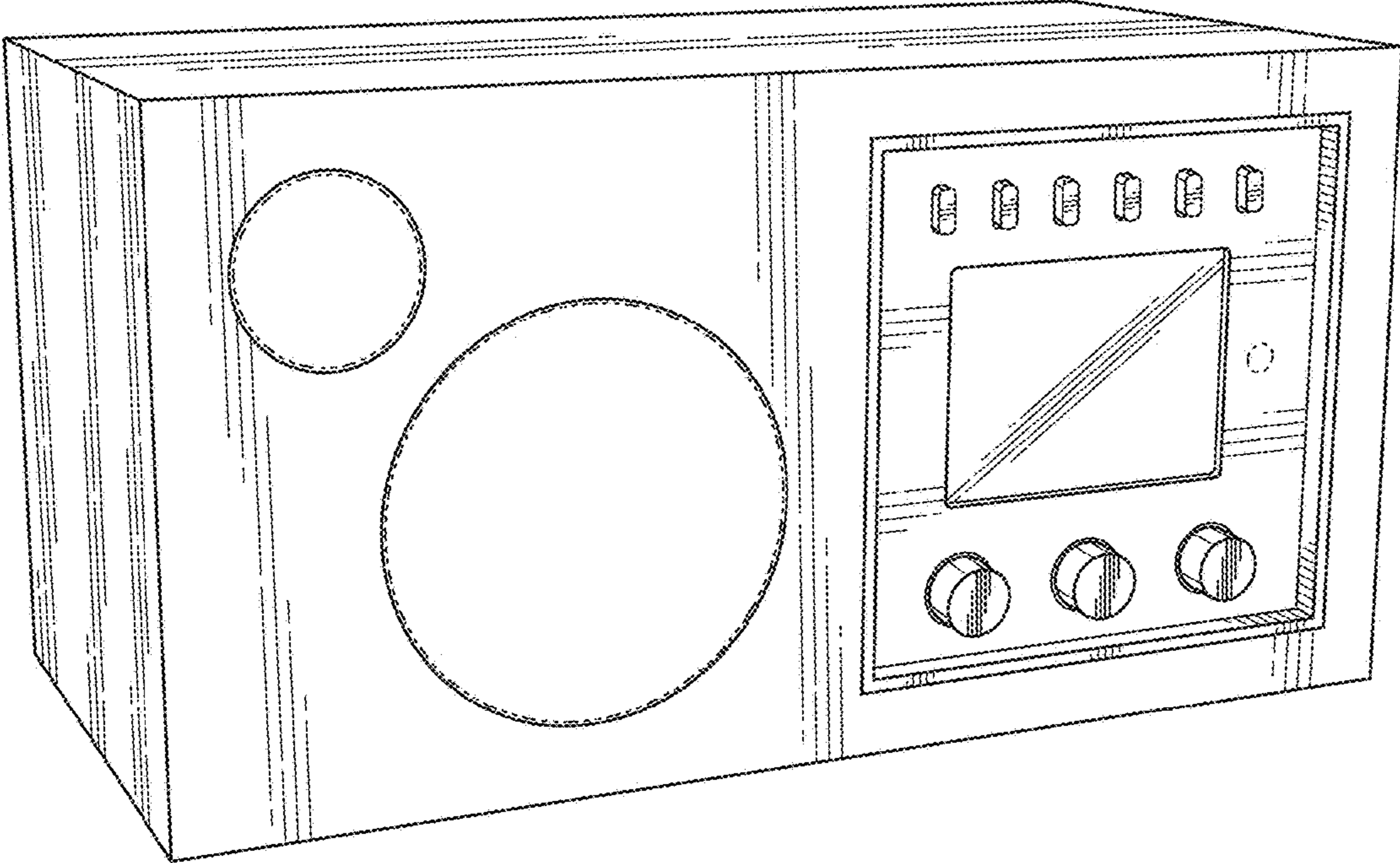


FIG. 1

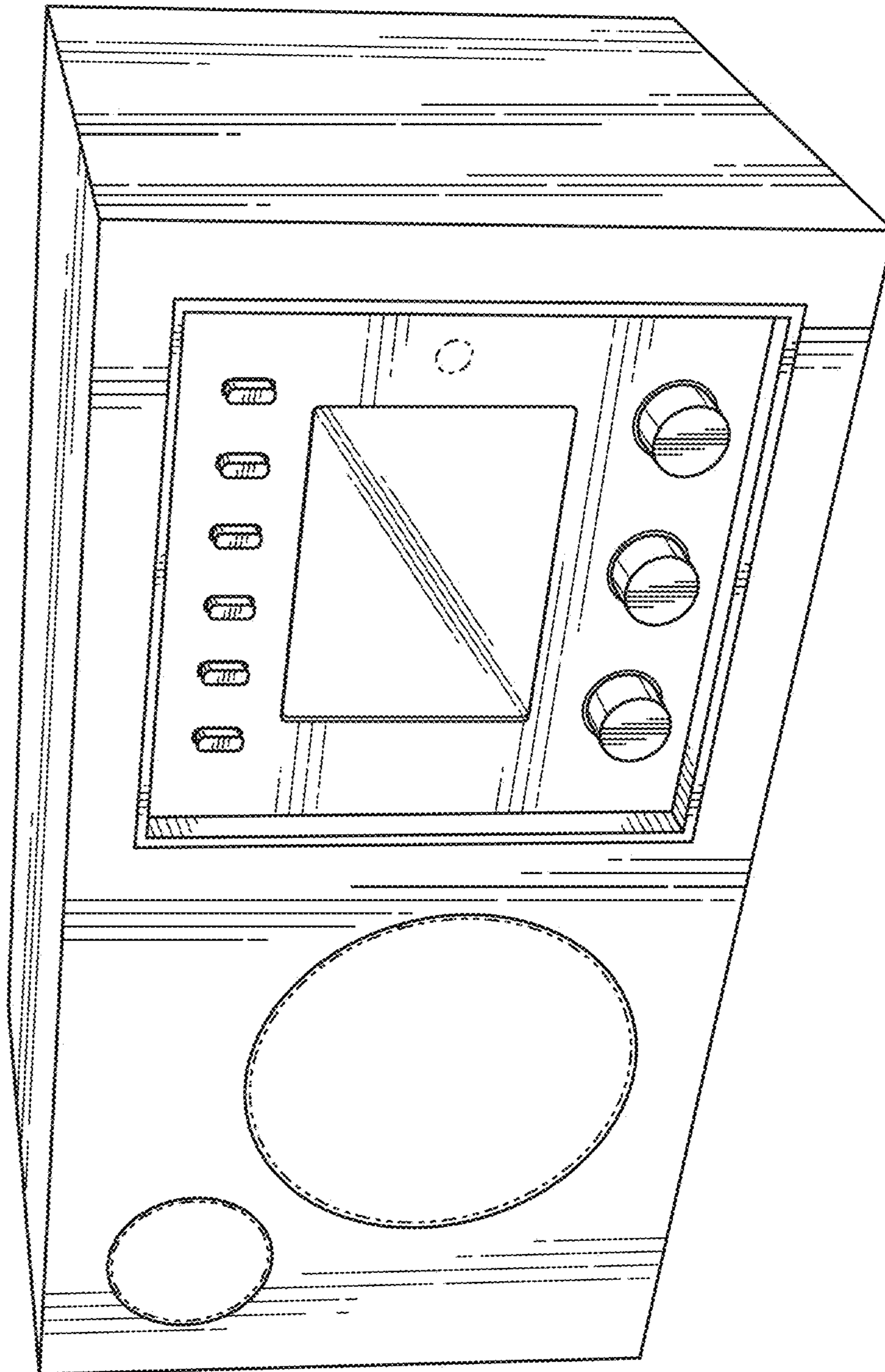


FIG. 2

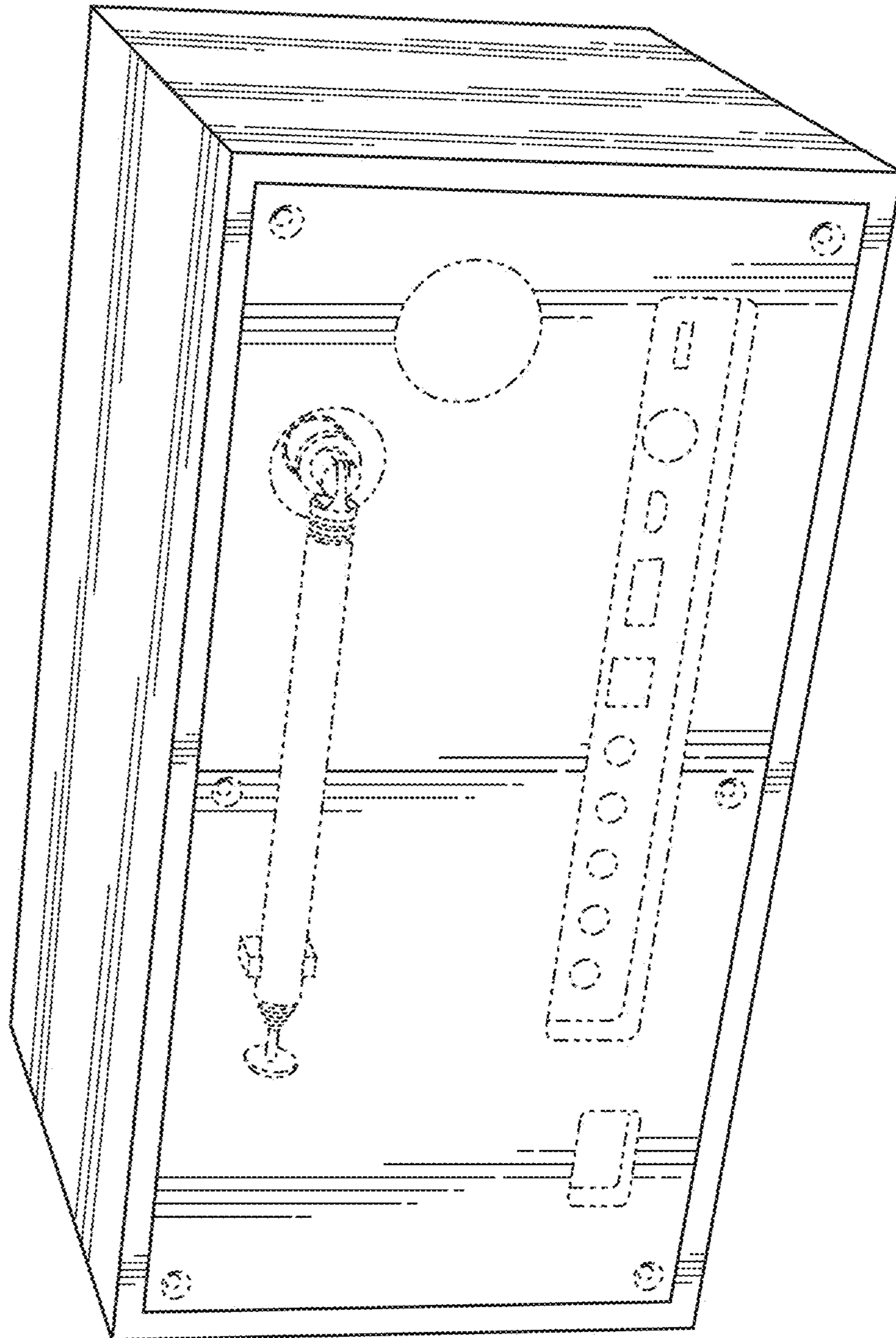


FIG. 3

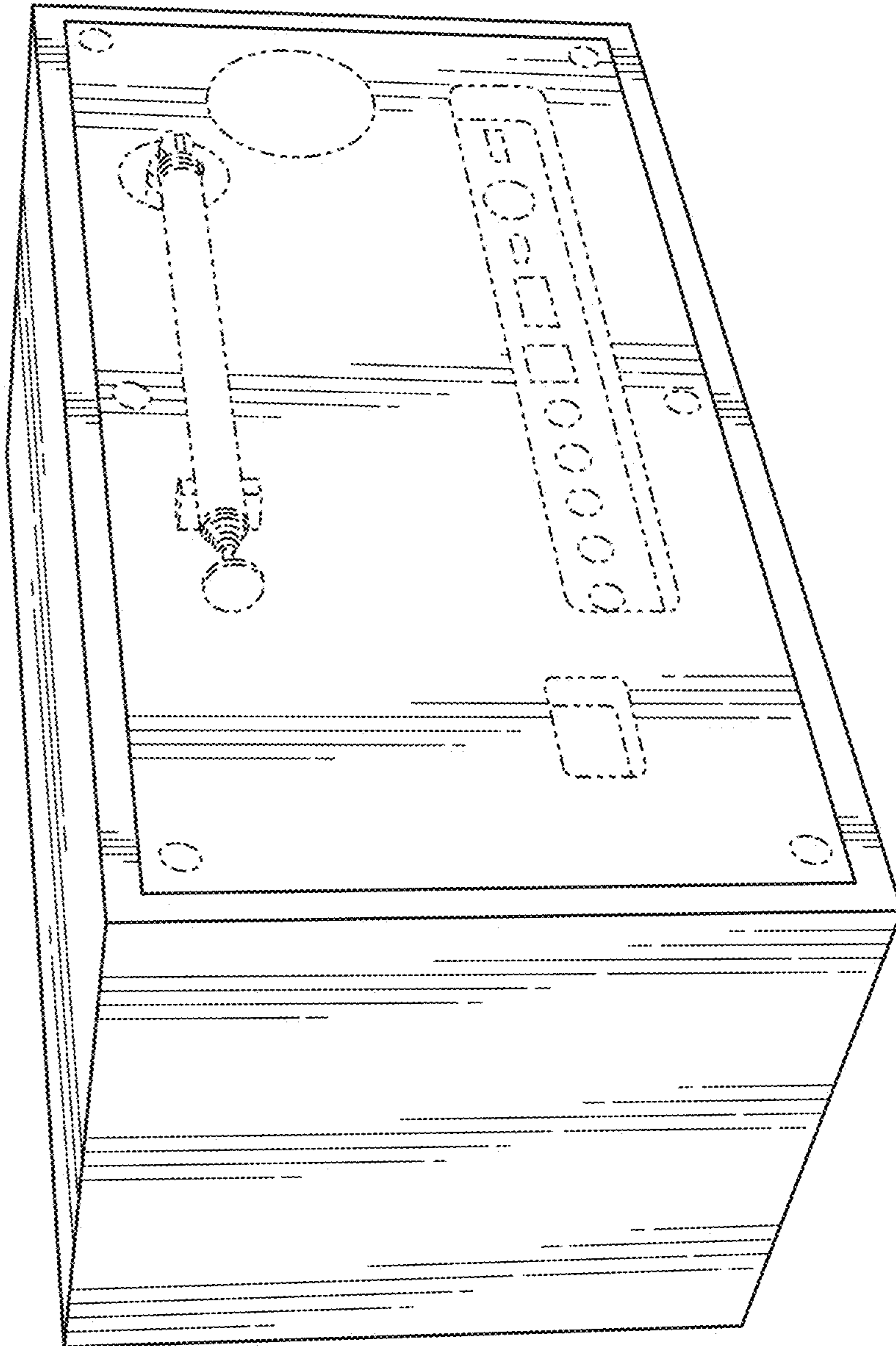


FIG. 4

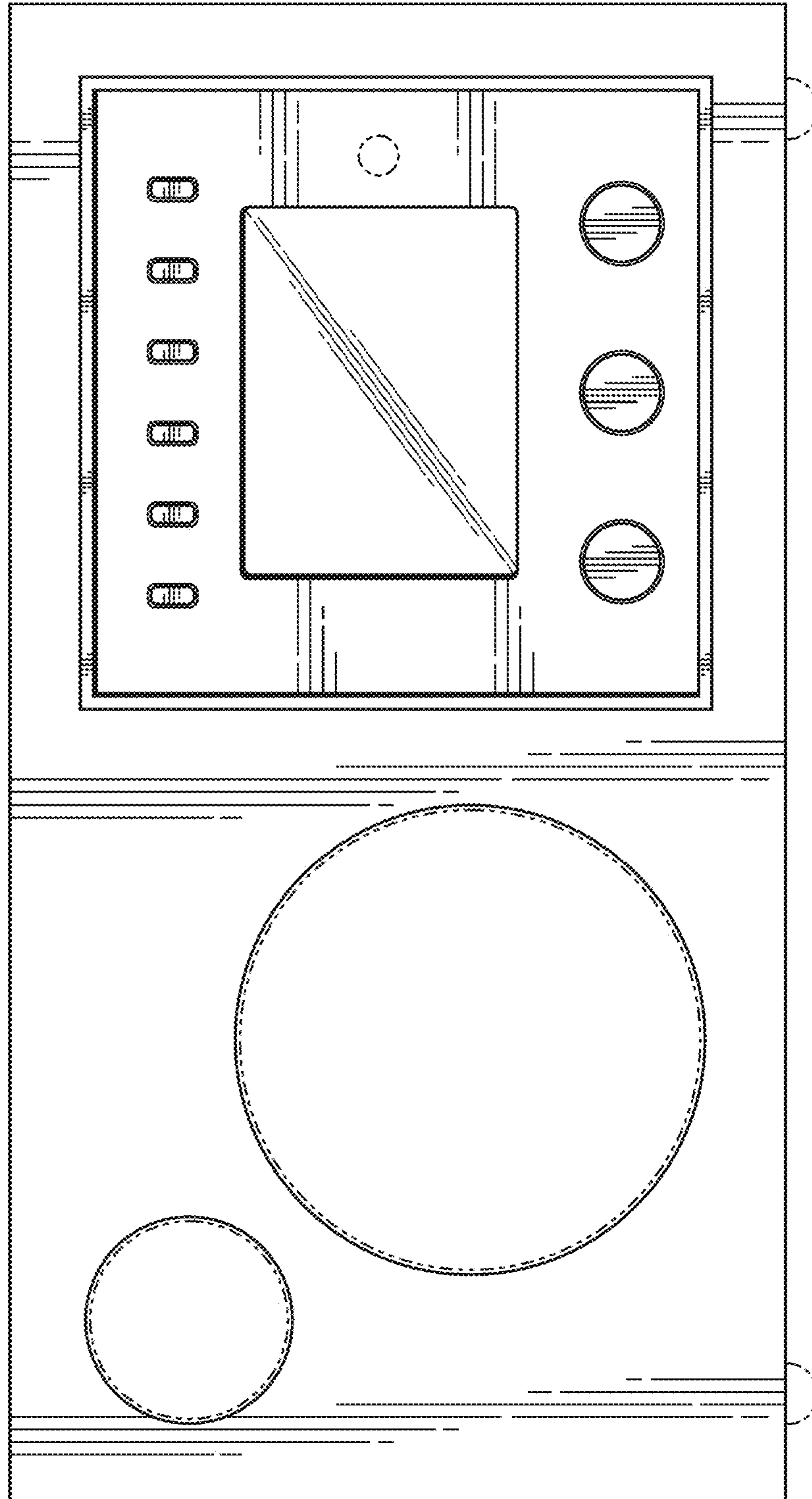


FIG. 5

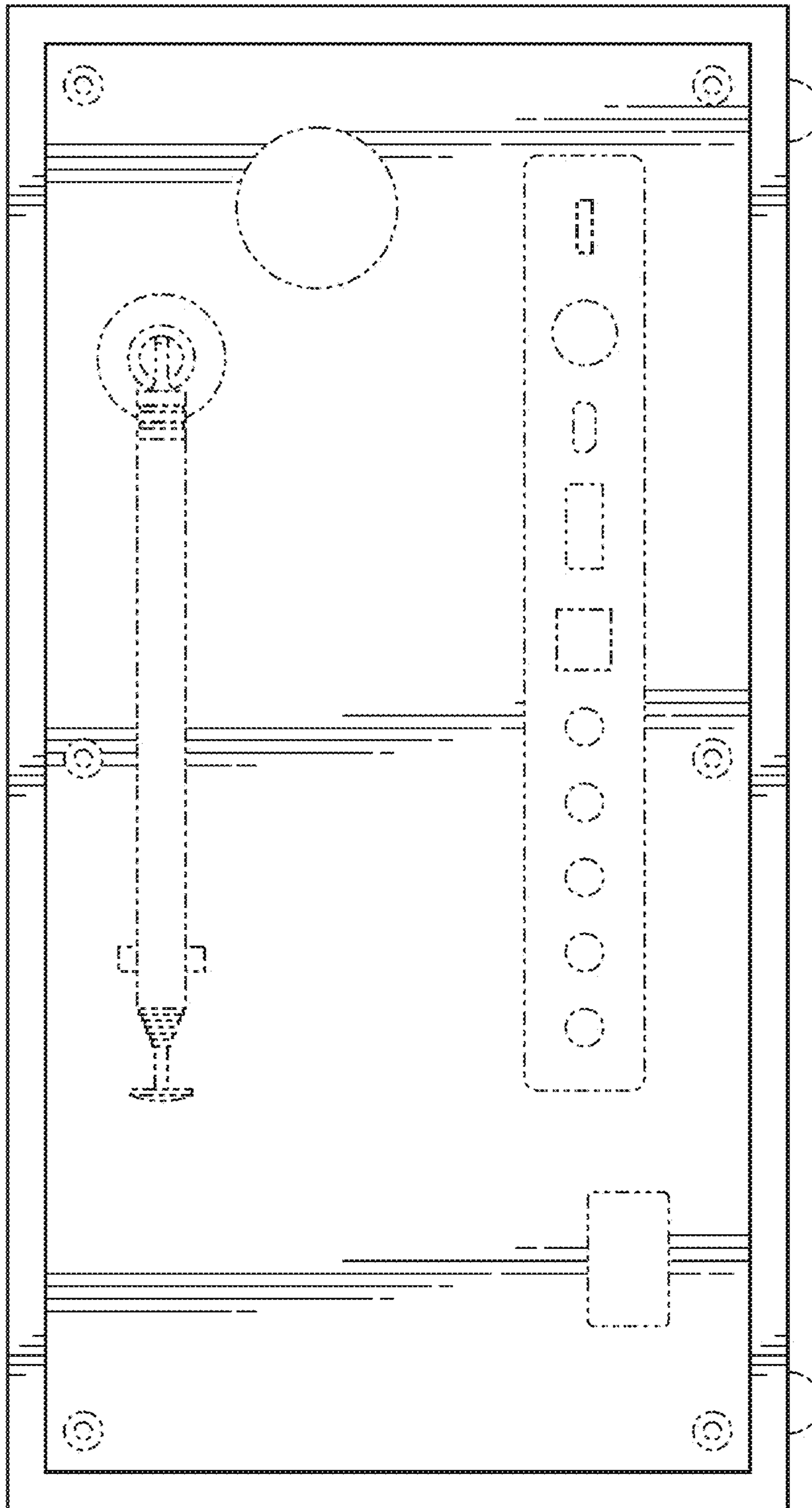


FIG. 6



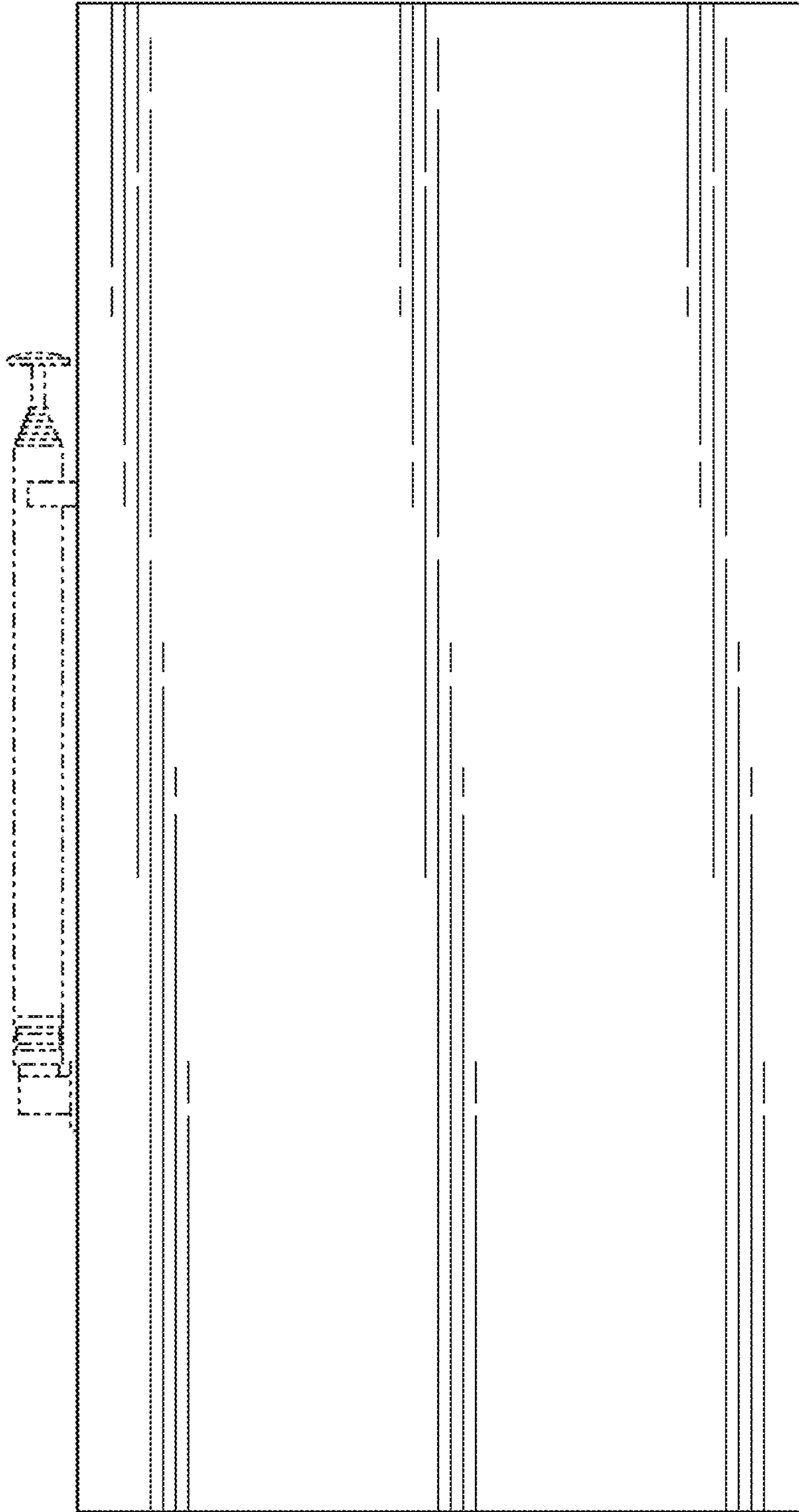


FIG. 7

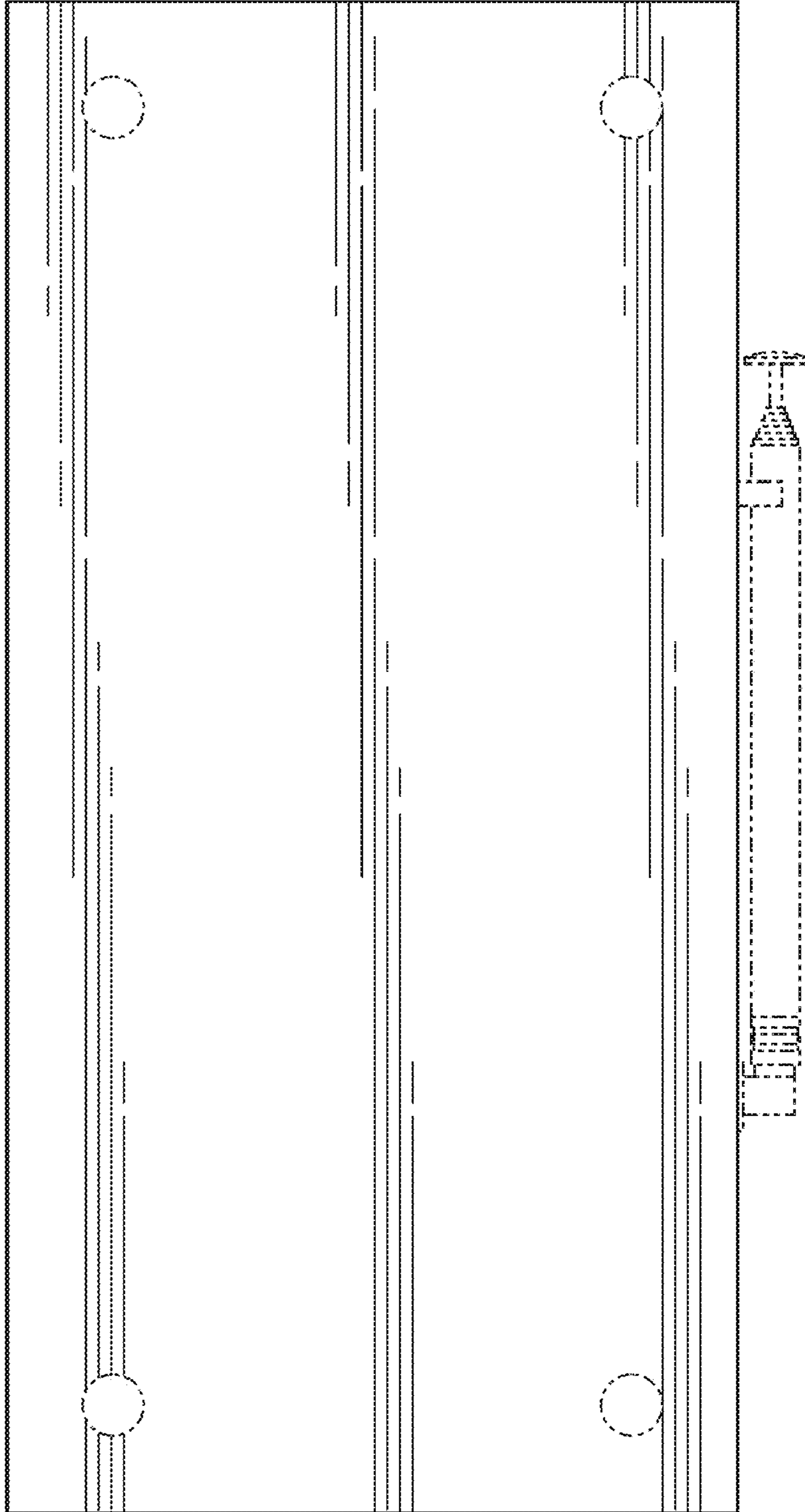


FIG. 8

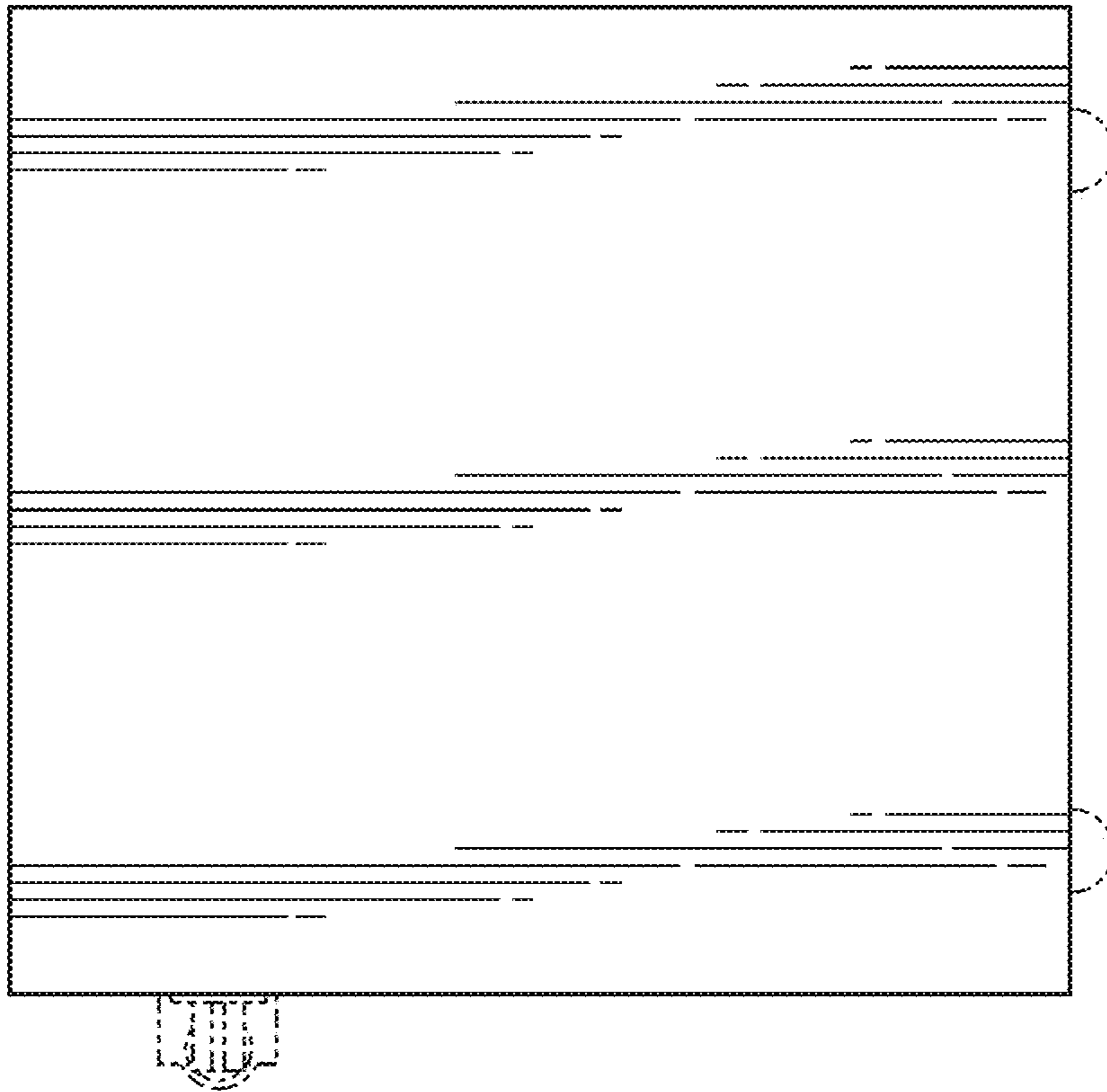


FIG. 9

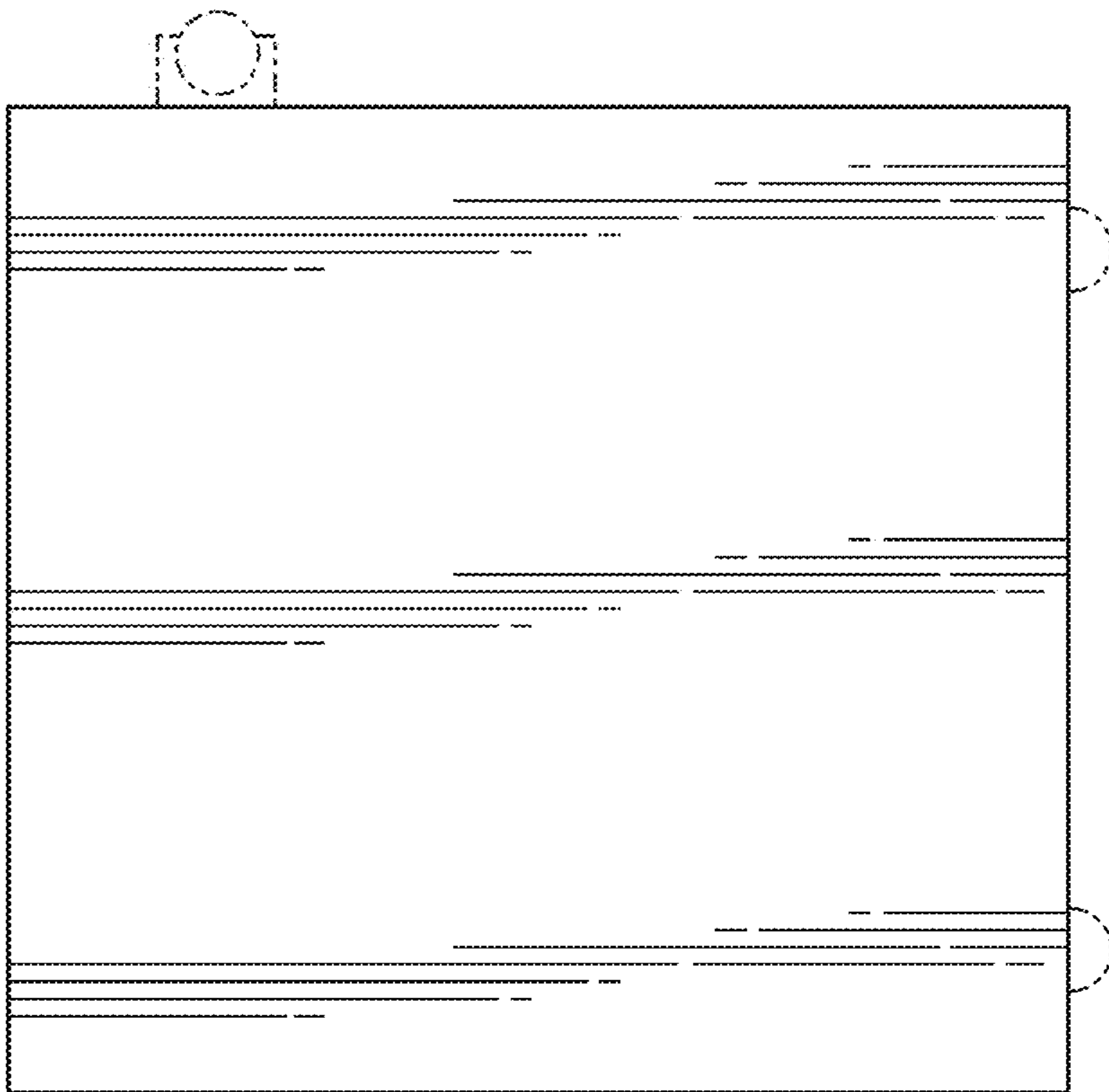


FIG. 10

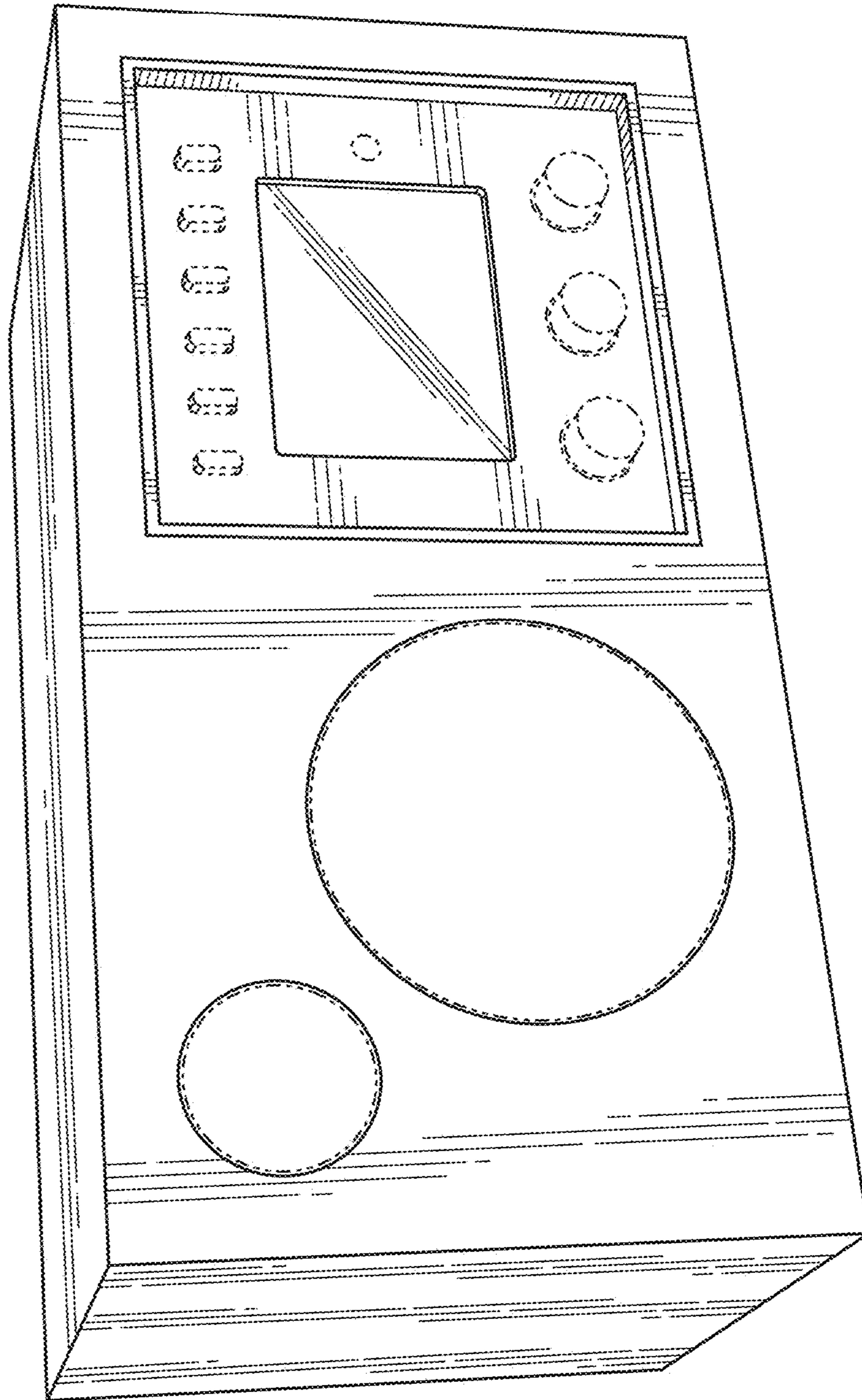


FIG. 11

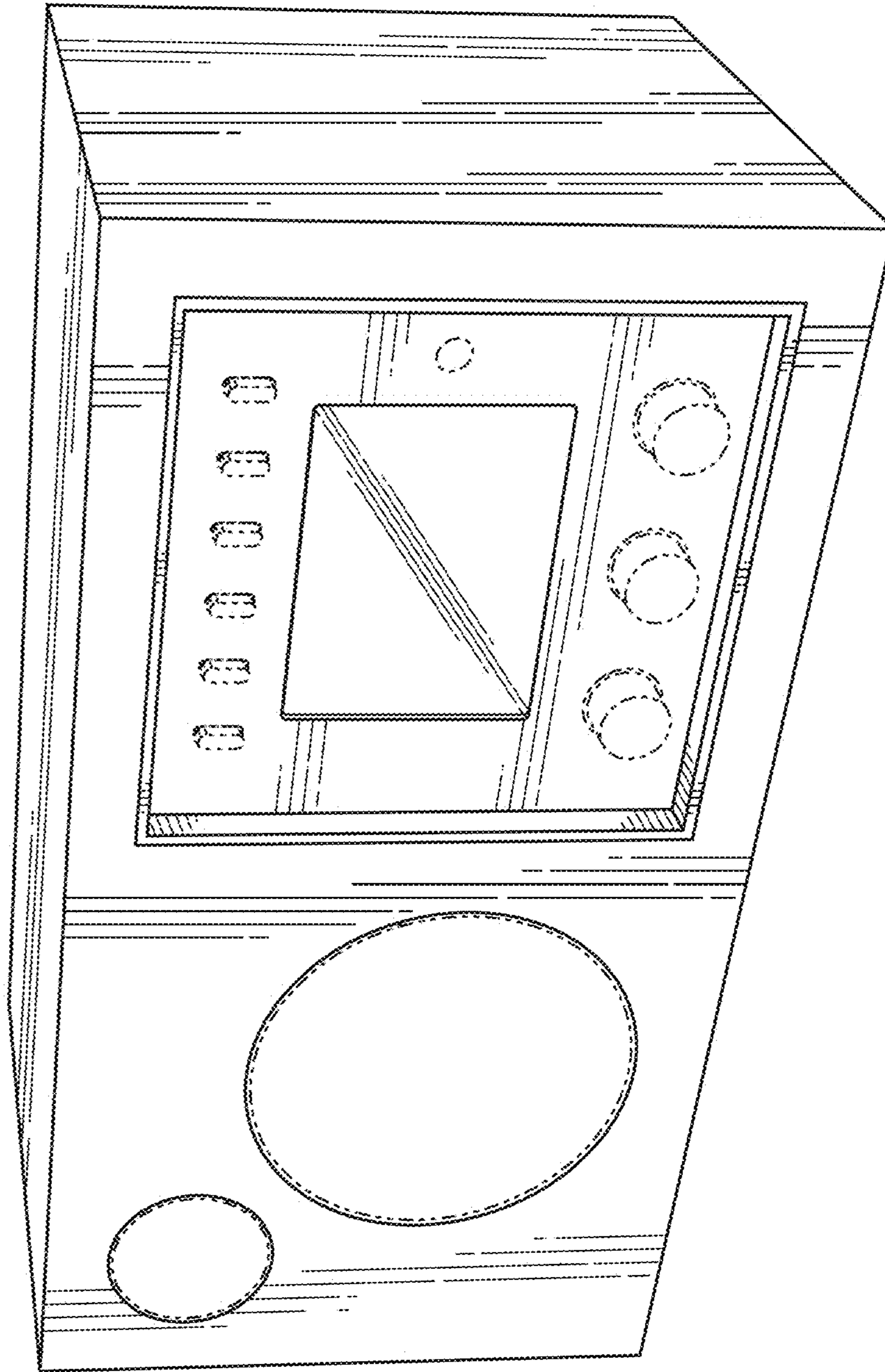


FIG. 12

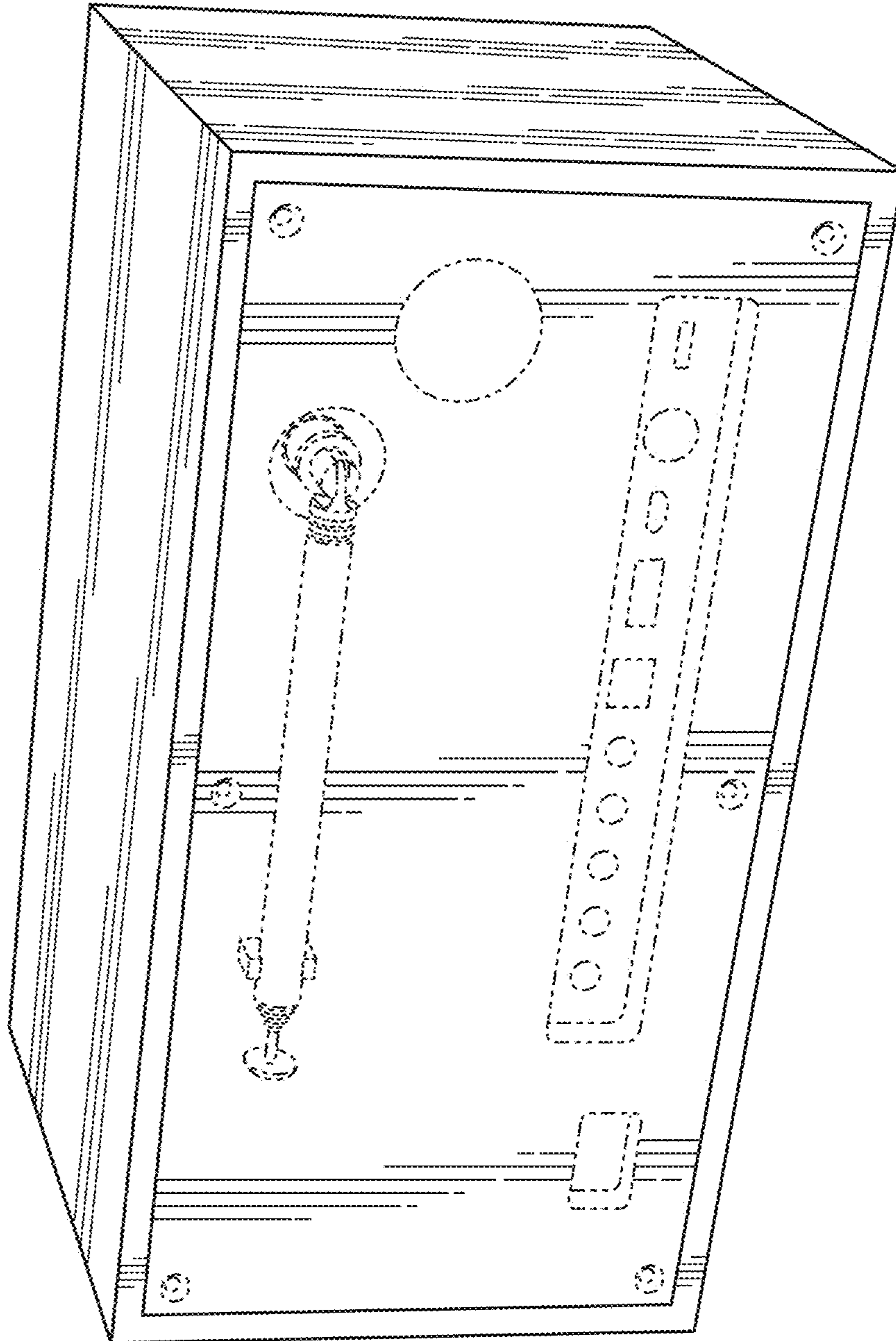


FIG. 13

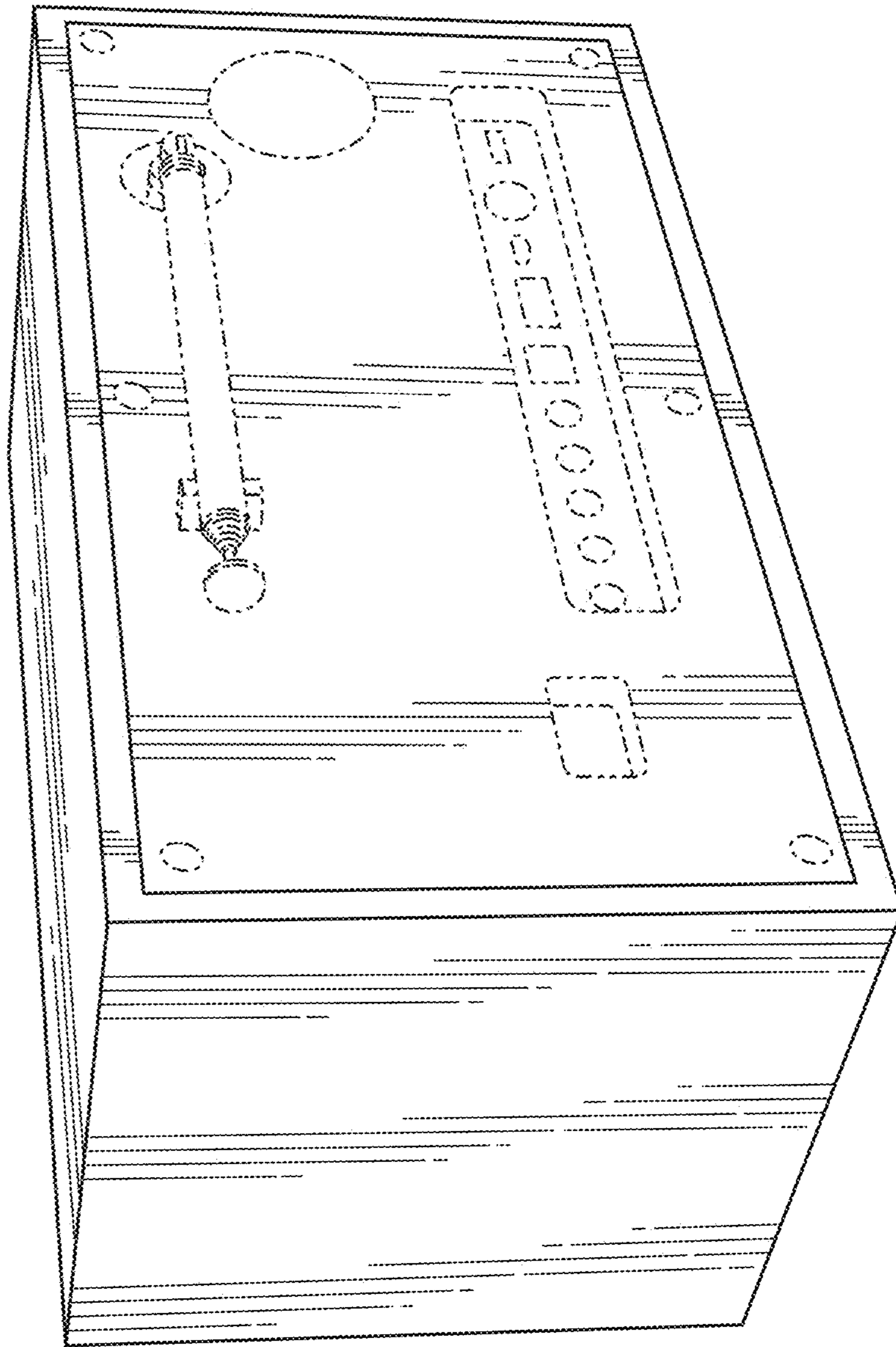


FIG. 14



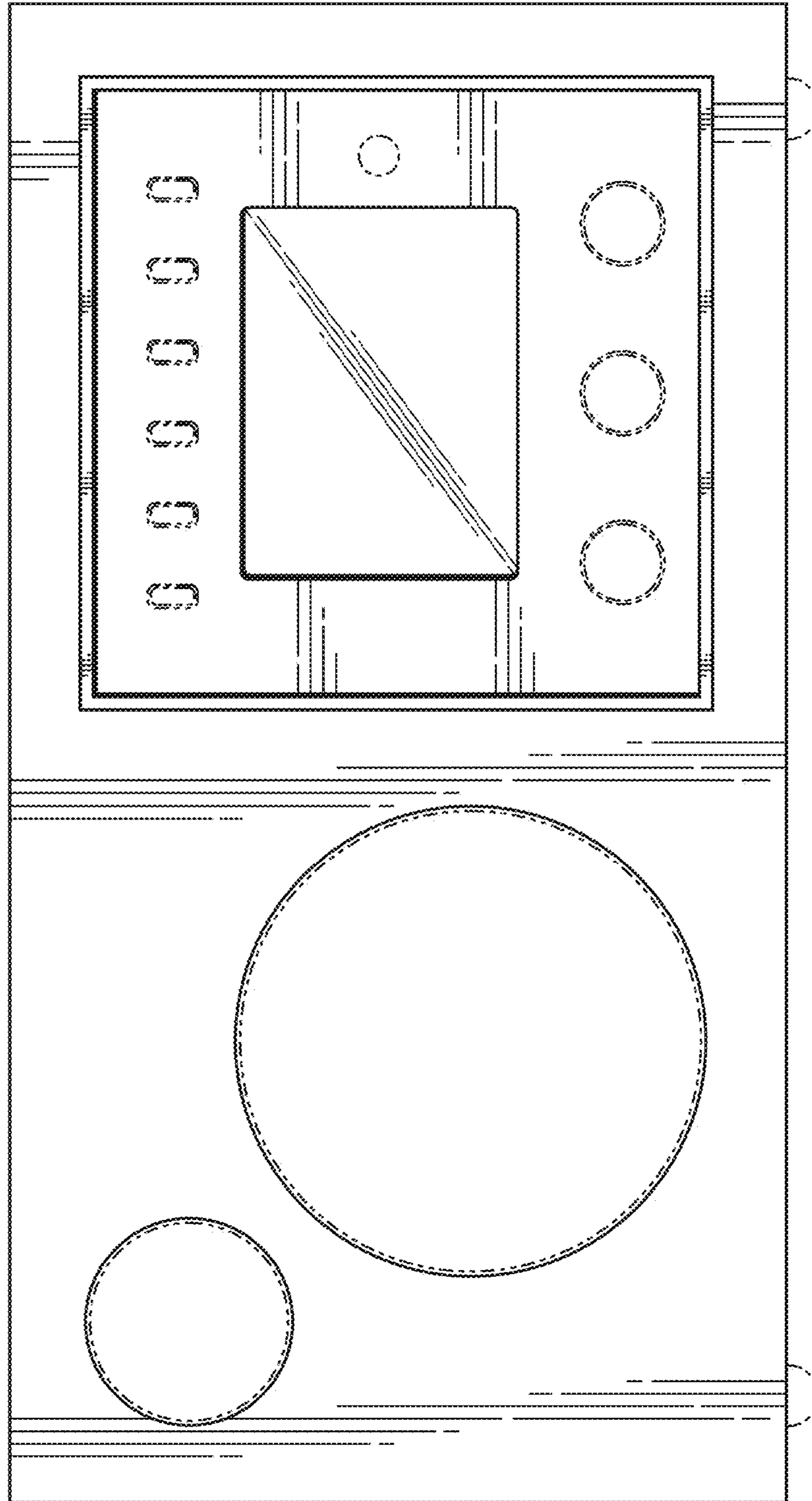


FIG. 15

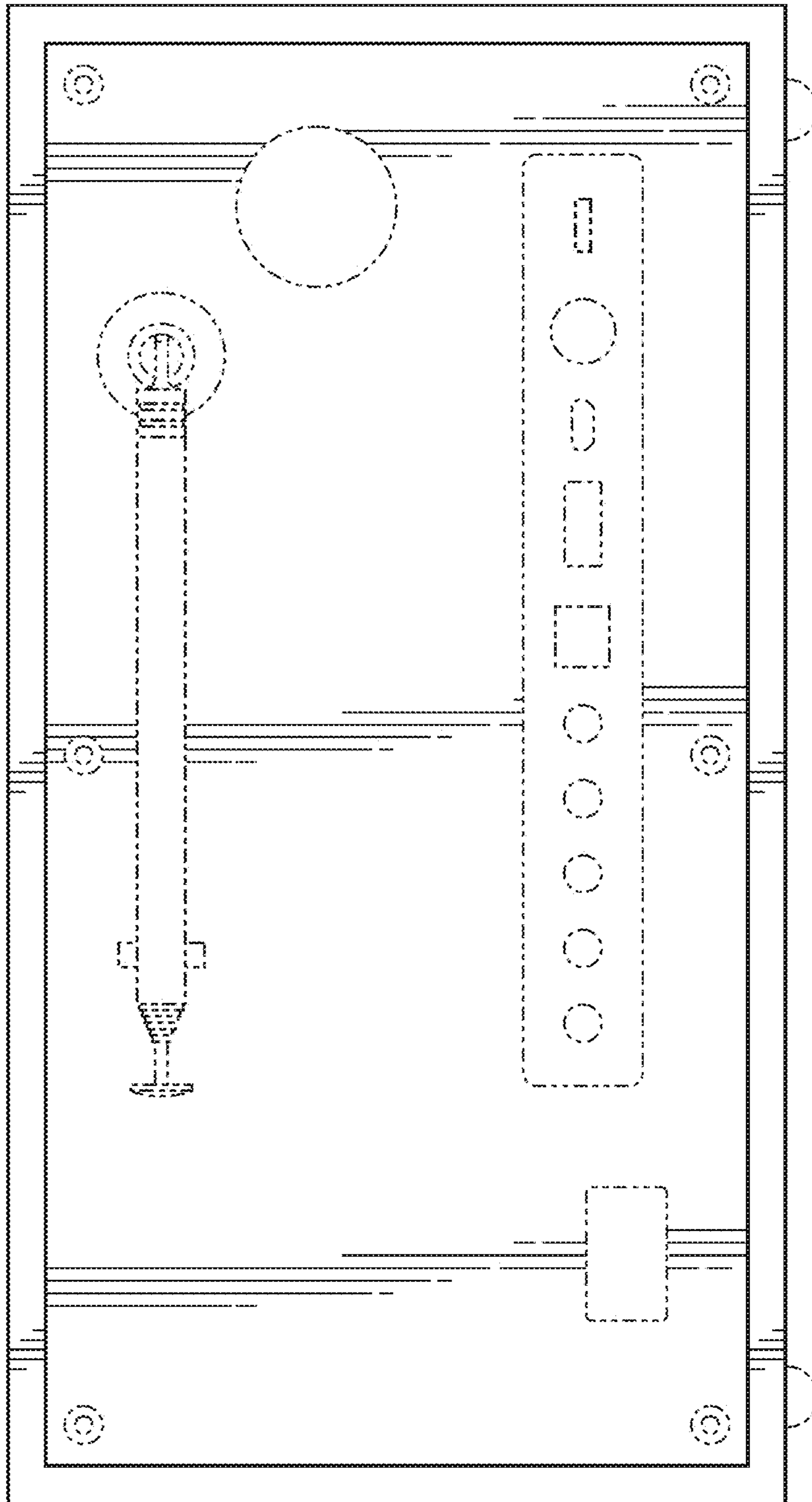


FIG. 16

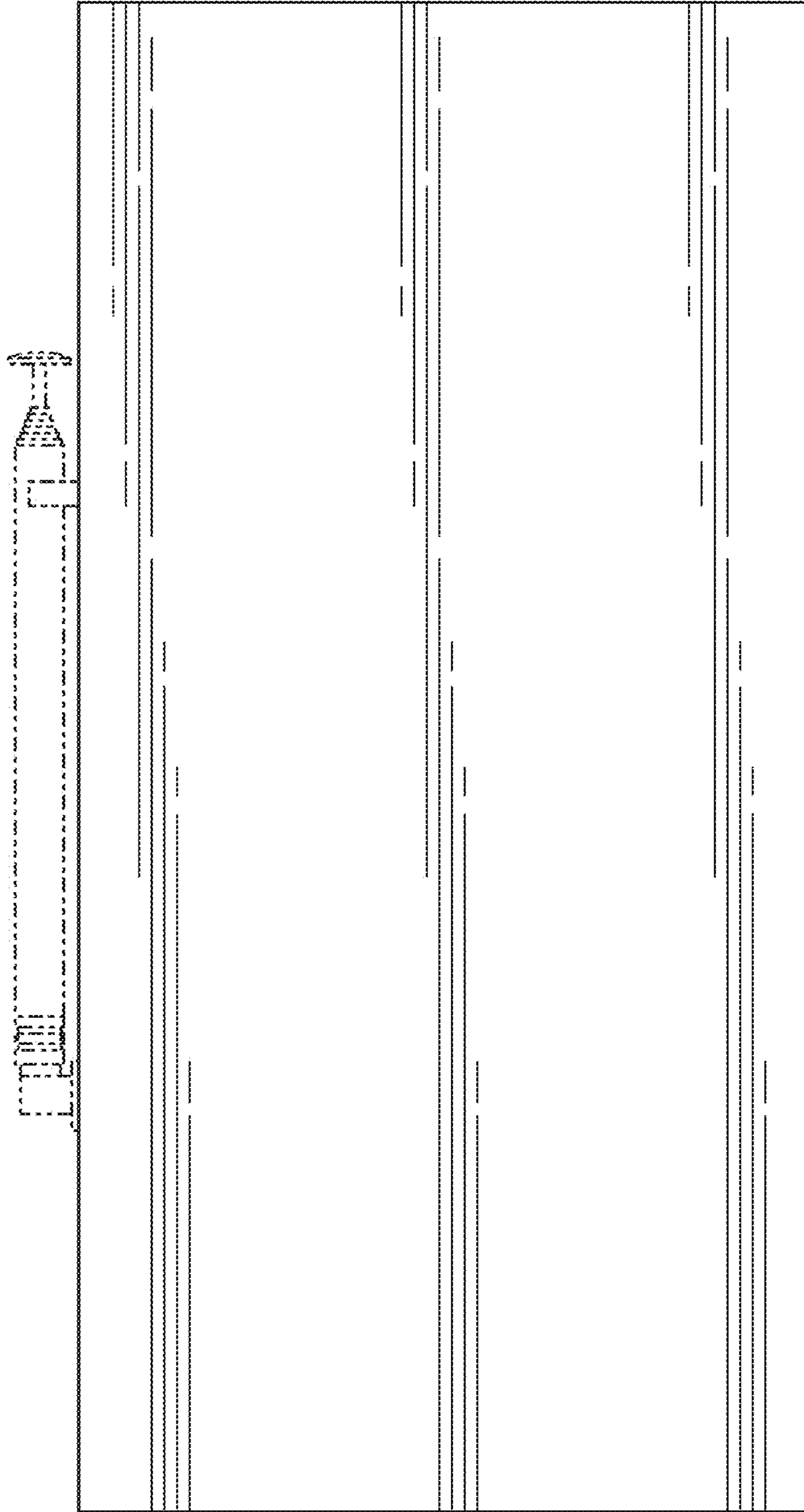


FIG. 17

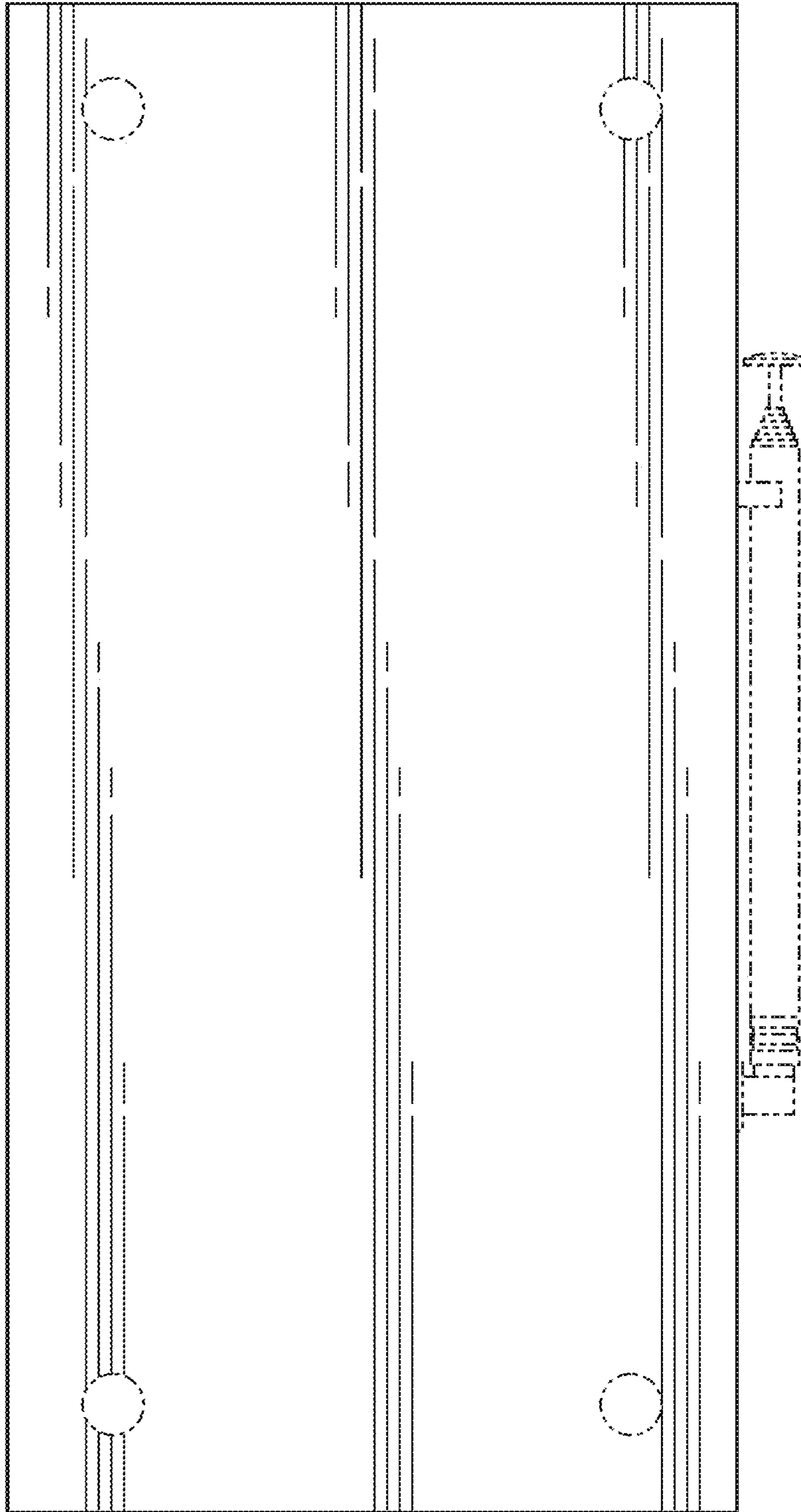


FIG. 18

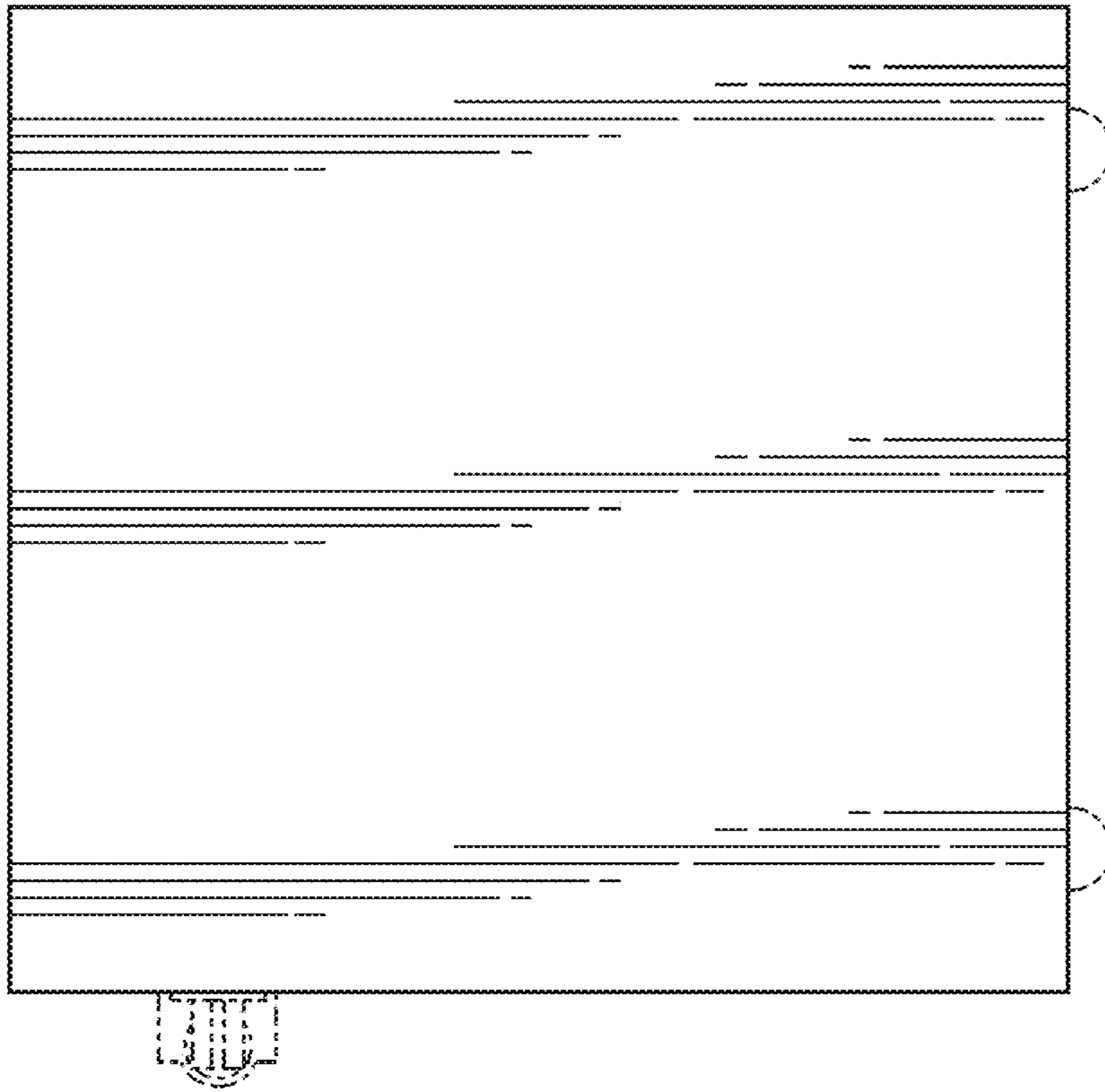


FIG. 19

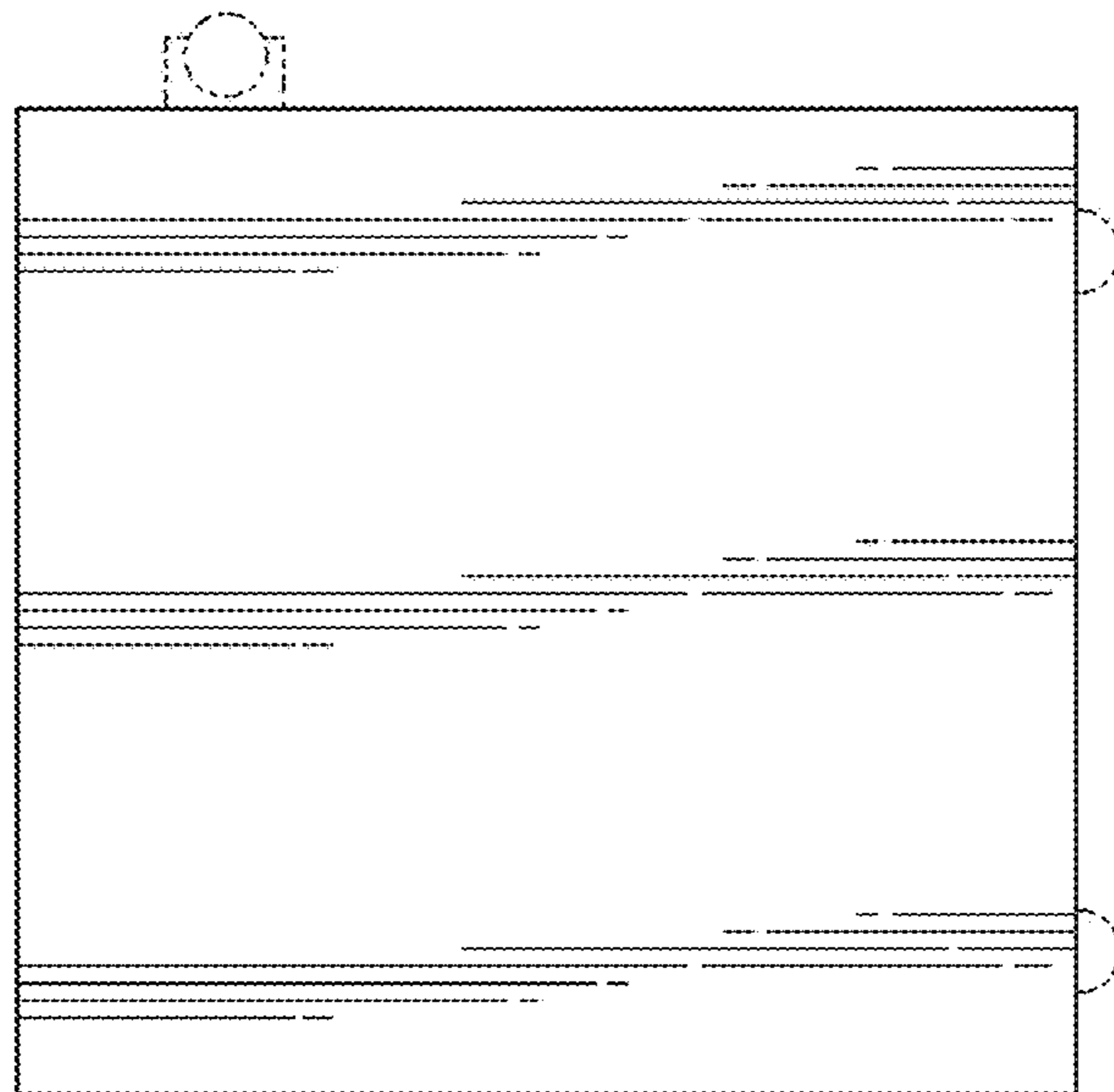


FIG. 20