



US00D788739S

(12) **United States Design Patent**
DeVesto

(10) **Patent No.:** **US D788,739 S**
(45) **Date of Patent:** **** Jun. 6, 2017**

(54) **AUDIO SYSTEM**

(71) Applicant: **Como Audio LLC**, Boston, MA (US)

(72) Inventor: **Thomas J. DeVesto**, Cotuit, MA (US)

(73) Assignee: **Como Audio LLC**, Boston, MA (US)

(**) Term: **15 Years**

(21) Appl. No.: **29/563,244**

(22) Filed: **May 3, 2016**

(51) **LOC (10) Cl.** **14-01**

(52) **U.S. Cl.**

USPC **D14/172; D14/209.1; D14/188**

(58) **Field of Classification Search**

USPC **D14/204, 204.1, 210–216, 172, 188–198,**
D14/203.1–203.8, 496; 181/143, 144,

(Continued)

(56) **References Cited**

U.S. PATENT DOCUMENTS

3,512,605 A * 5/1970 McCorkle B60N 2/4876
181/141

4,388,492 A * 6/1983 Sato H04R 5/02
381/304

(Continued)

Primary Examiner — Prabhakar Deshmukh

(74) *Attorney, Agent, or Firm* — Hamilton, Brook, Smith
& Reynolds, P.C.

(57) **CLAIM**

The ornamental design for an audio system, as shown and described.

DESCRIPTION

FIG. 1 is a front, top and left side perspective view of an audio system showing my new design;

FIG. 2 is a front, top and right side perspective view thereof;

FIG. 3 is a rear, top and left side perspective view thereof;

FIG. 4 is a rear, top and right side perspective view thereof;

FIG. 5 is a front elevation view thereof;

FIG. 6 is a rear elevation view thereof;

FIG. 7 is a top plan view thereof;

FIG. 8 is a bottom plan view thereof;

FIG. 9 is a left side elevation view thereof;

FIG. 10 is a right side elevation view thereof;

FIG. 11 is a front, top and left side perspective view of a second embodiment thereof;

FIG. 12 is a front, top and right side perspective view of the second embodiment thereof;

FIG. 13 is a rear, top and left side perspective view of the second embodiment thereof;

FIG. 14 is a rear, top and right side perspective view of the second embodiment thereof;

FIG. 15 is a front elevation view of the second embodiment thereof;

FIG. 16 is a rear elevation view of the second embodiment thereof;

FIG. 17 is a top plan view of the second embodiment thereof;

FIG. 18 is a bottom plan view of the second embodiment thereof;

FIG. 19 is a left side elevation view of the second embodiment thereof;

FIG. 20 is a right side elevation view of the second embodiment thereof;

FIG. 21 is a front, top and left side perspective view of a third embodiment thereof;

FIG. 22 is a front, top and right side perspective view of the third embodiment thereof;

FIG. 23 is a rear, top and left side perspective view of the third embodiment thereof;

FIG. 24 is a rear, top and right side perspective view of the third embodiment thereof;

FIG. 25 is a front elevation view of the third embodiment thereof;

FIG. 26 is a rear elevation view of the third embodiment thereof;

FIG. 27 is a top plan view of the third embodiment thereof;

FIG. 28 is a bottom plan view of the third embodiment thereof;

FIG. 29 is a left side elevation view of the third embodiment thereof; and,

(Continued)

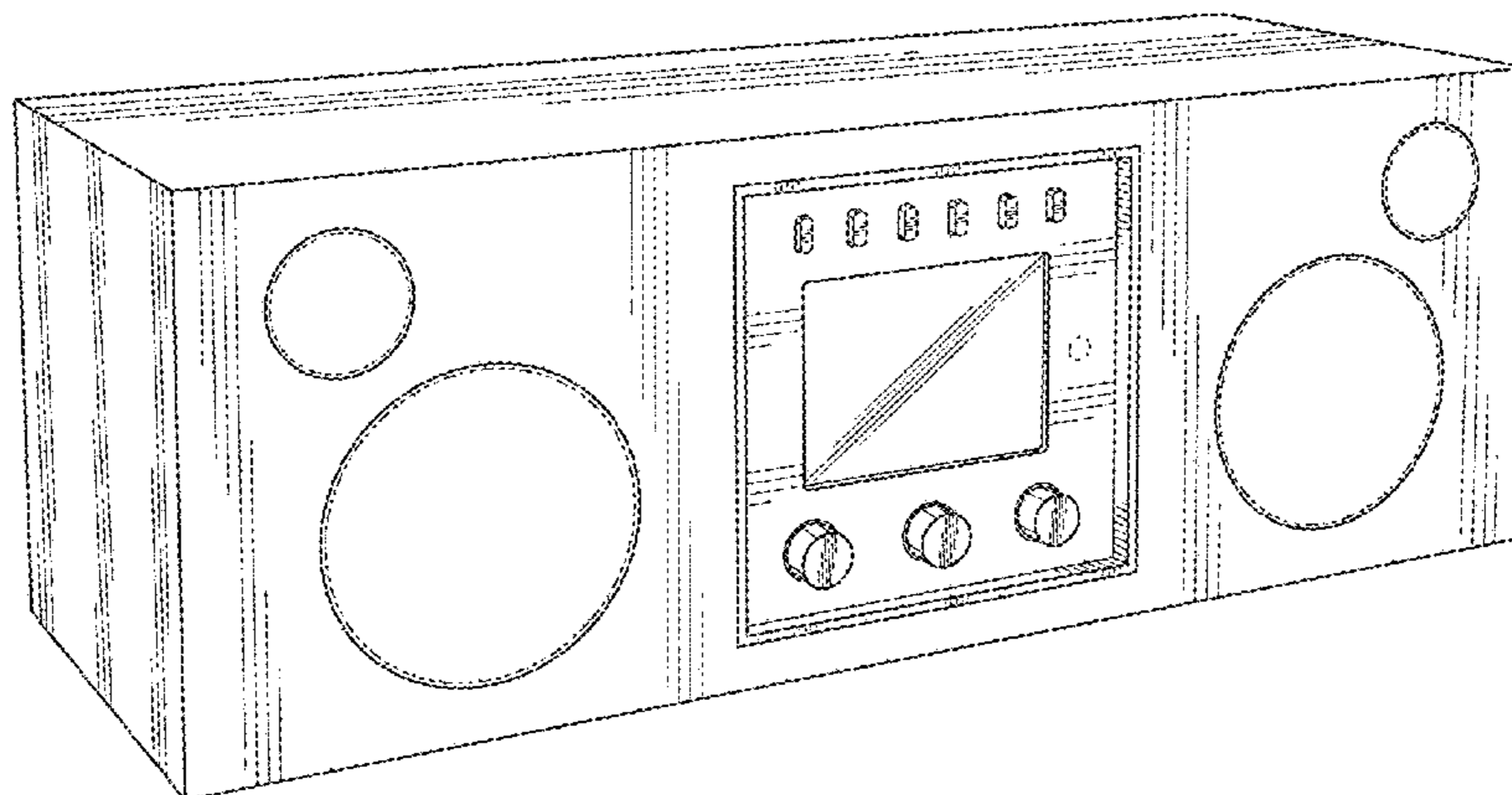


FIG. 30 is a right side elevation view of the third embodiment thereof.

As an example of the nature and intended use of the article, the audio system may, for example, be used as a music system, an internet-connected audio system, a wirelessly-connected audio system, an audio system with television optical input, a radio receiver, a smart device-connected audio system, such as a tablet-device connected audio system or mobile-phone connected audio system, a soundbar for a television, and a soundbase for a television.

Portions of the drawings shown in broken lines represent environmental structure only and do not form a part of the claimed design. The broken line circles within the loudspeakers show that any ornamental appearance may be used for the loudspeaker surfaces, and do not form a part of the claimed design.

1 Claim, 30 Drawing Sheets

(58) **Field of Classification Search**

USPC 181/147, 148, 150–153, 157, 198, 199;

381/300–306, 332, 333, 336, 345,
381/361–364; 369/6–12; 379/342–344;
455/90.1, 90.3, 344–355

CPC H04B 1/06; H04B 1/08; H04B 1/086; H04M
1/04; H04M 1/21; H04W 4/02; H04W
4/06

See application file for complete search history.

(56)

References Cited

U.S. PATENT DOCUMENTS

D347,765	S	*	6/1994	Unkefer	D14/168
5,471,659	A	*	11/1995	Wong	H04B 1/086 455/132
5,546,468	A	*	8/1996	Beard	B60R 11/0217 181/145
5,883,859	A	*	3/1999	Bentley	G04G 21/00 368/10
D551,679	S	*	9/2007	Hayes	D14/188
D563,390	S	*	3/2008	Vafiadis	D14/188
D689,460	S	*	9/2013	Chen	D14/172
D715,762	S	*	10/2014	Chong	D14/195
D746,789	S	*	1/2016	DeVesto	D14/188
D748,075	S	*	1/2016	McManigal	D14/214
D749,541	S	*	2/2016	Wong	D14/170

* cited by examiner

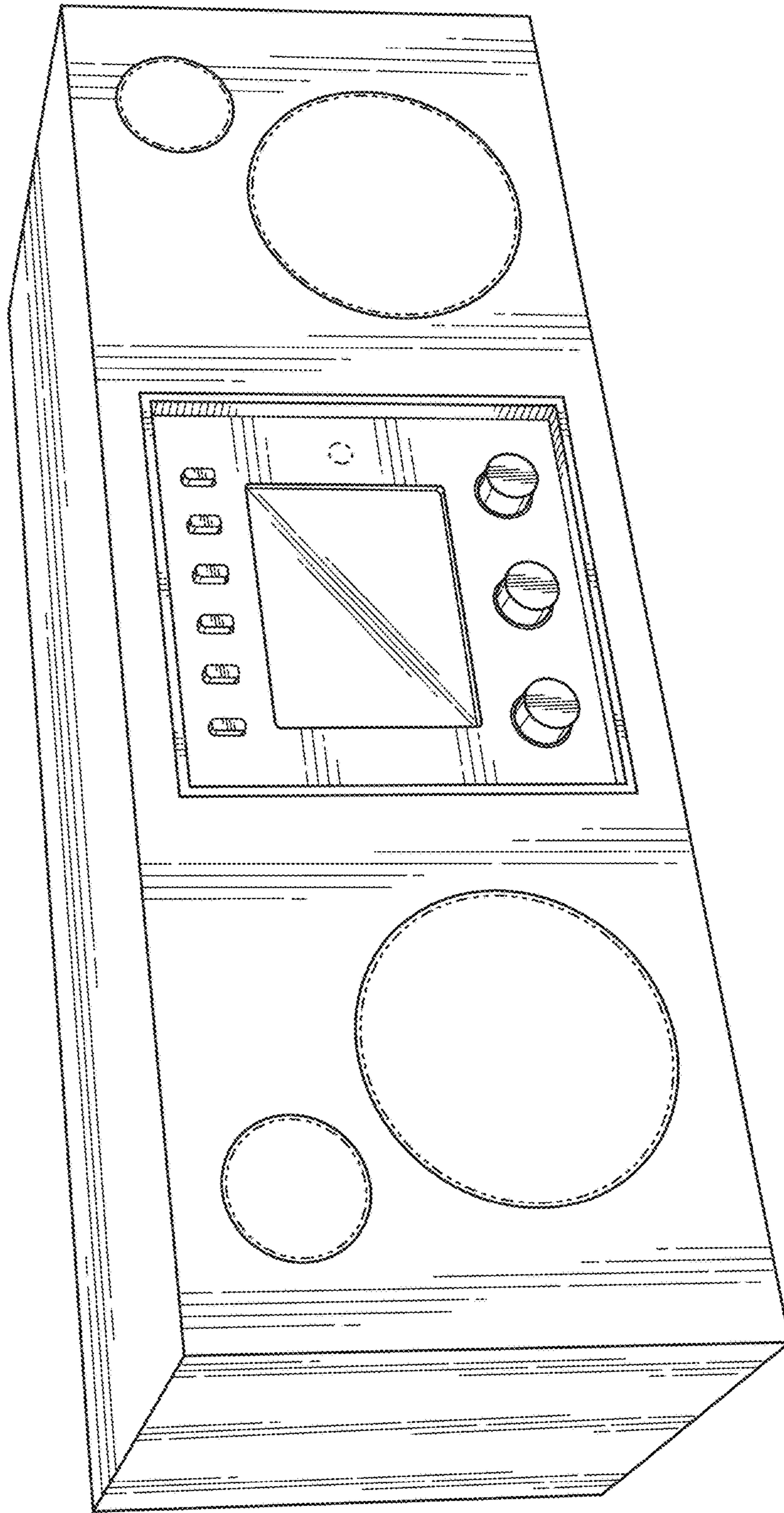


FIG. 1

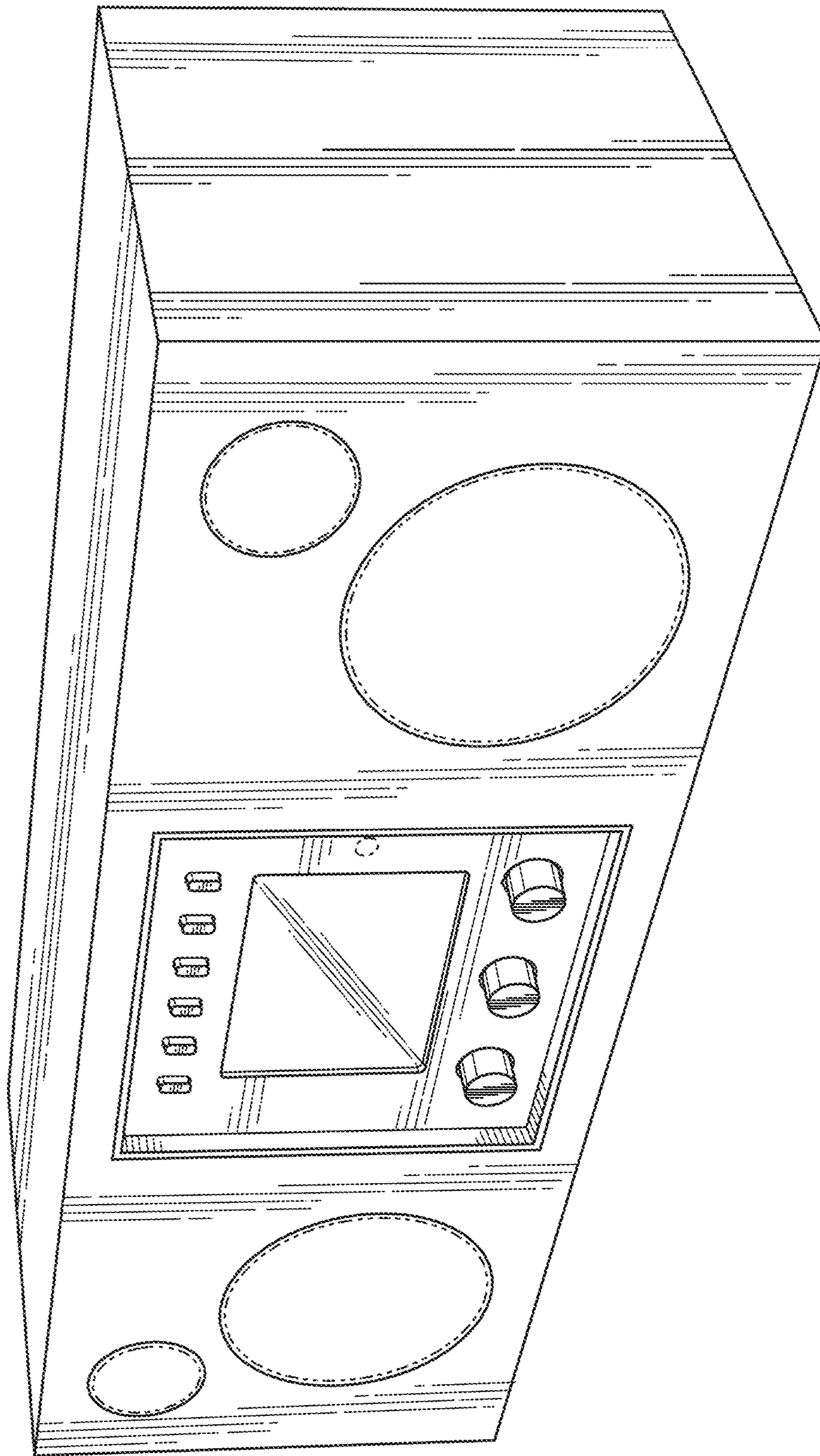


FIG. 2

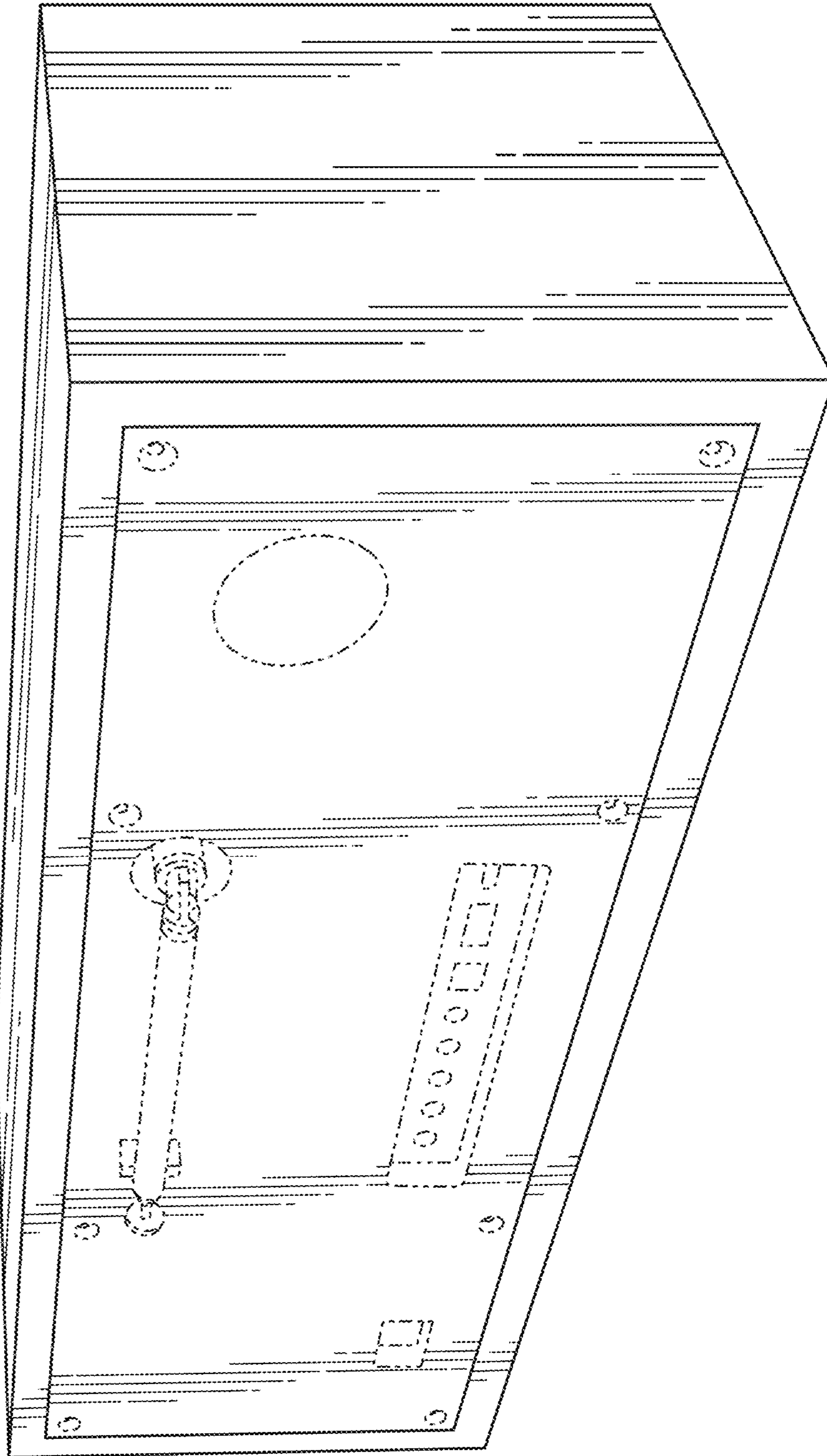


FIG. 3

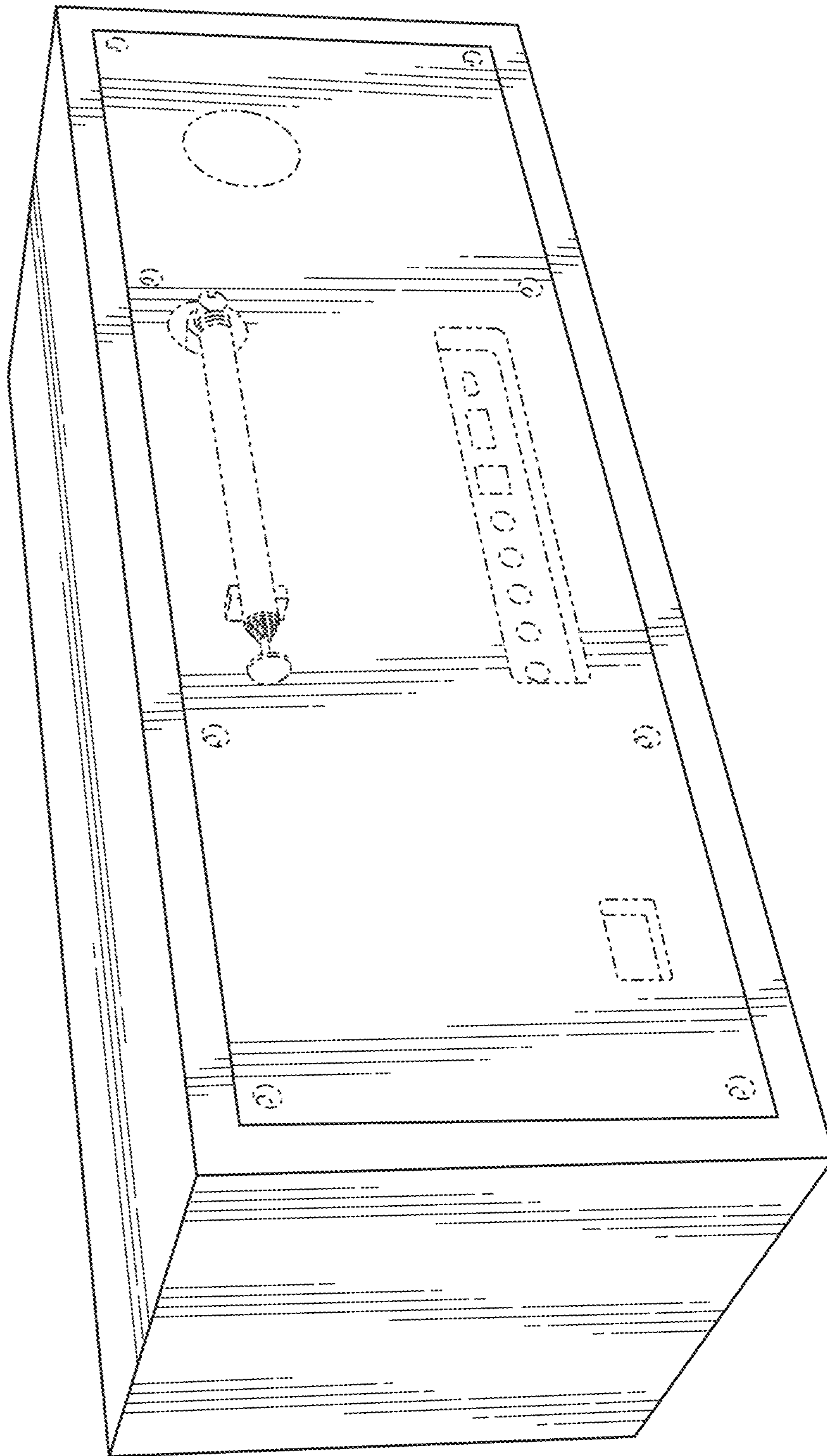


FIG. 4

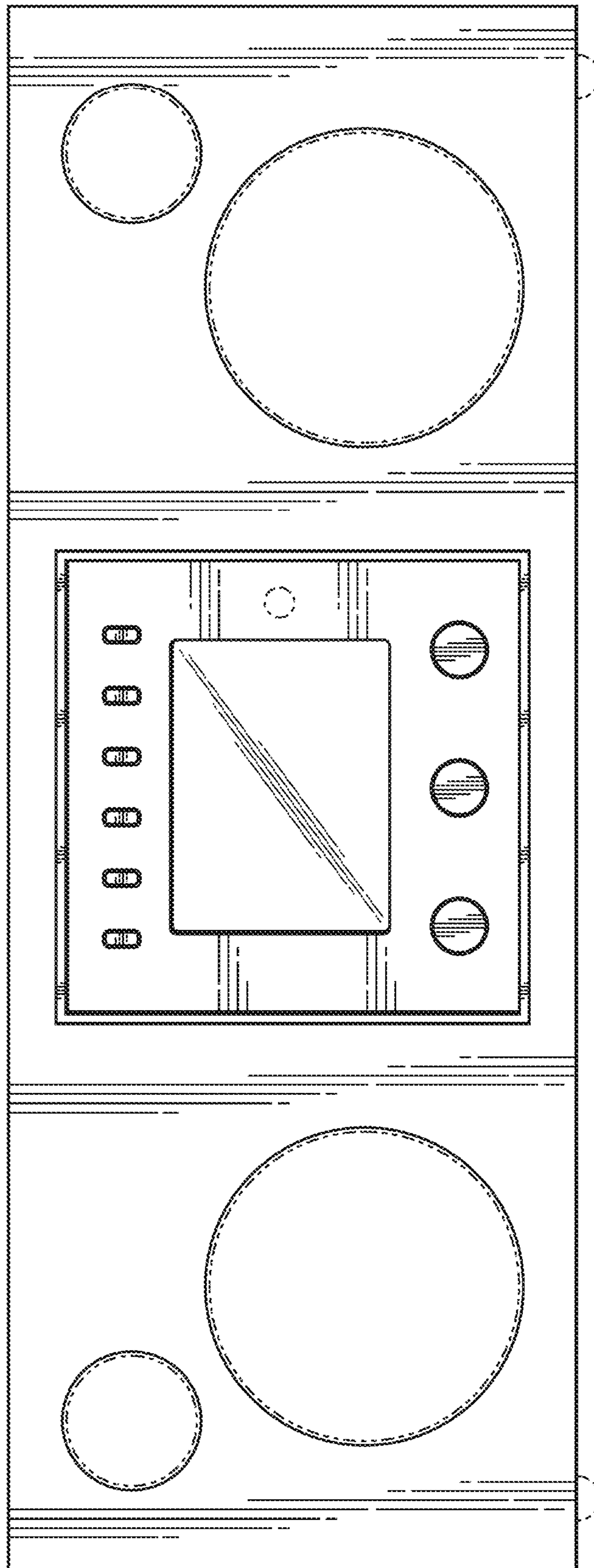


FIG. 5

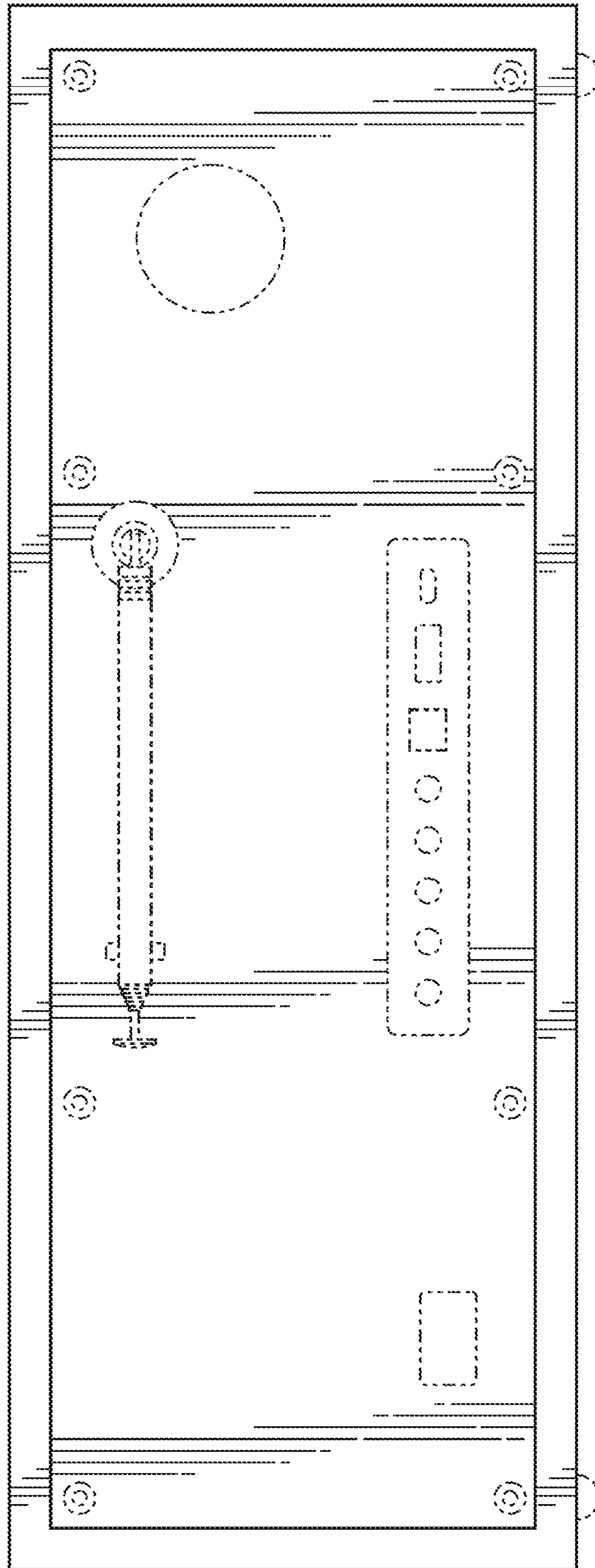


FIG. 6

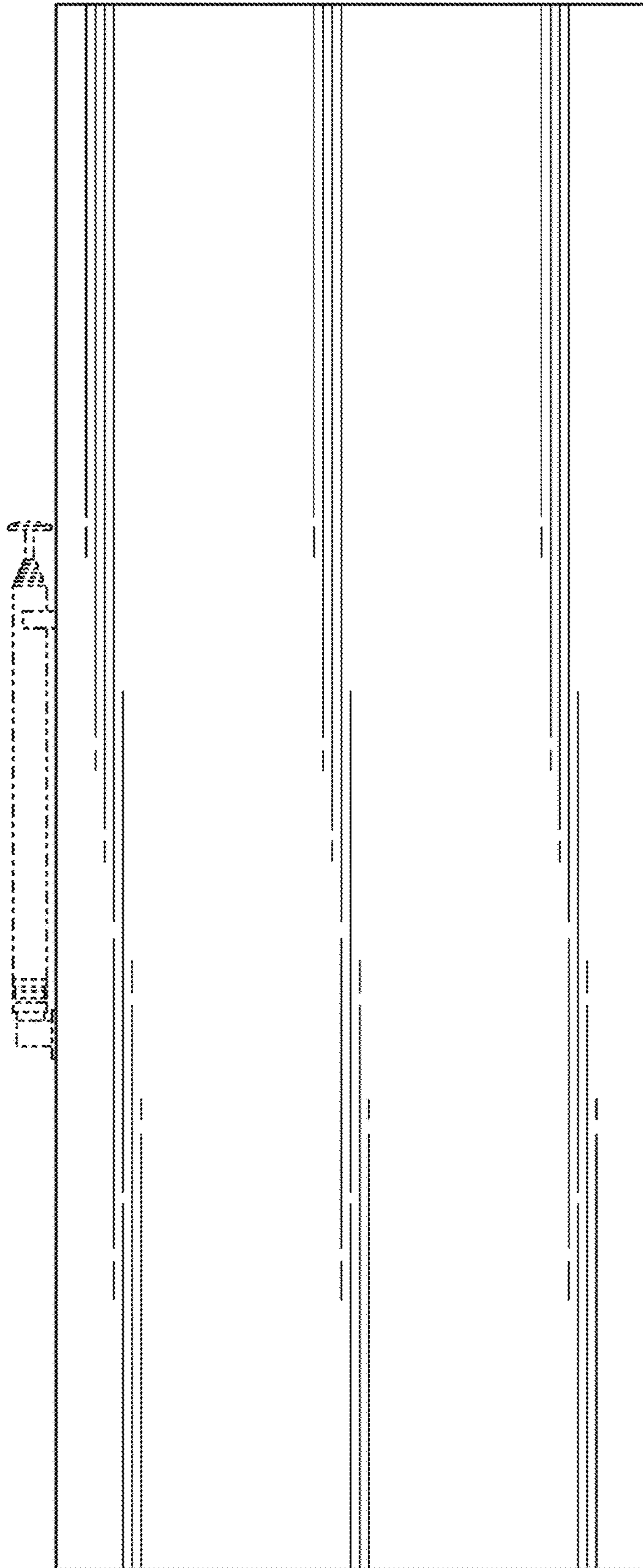


FIG. 7

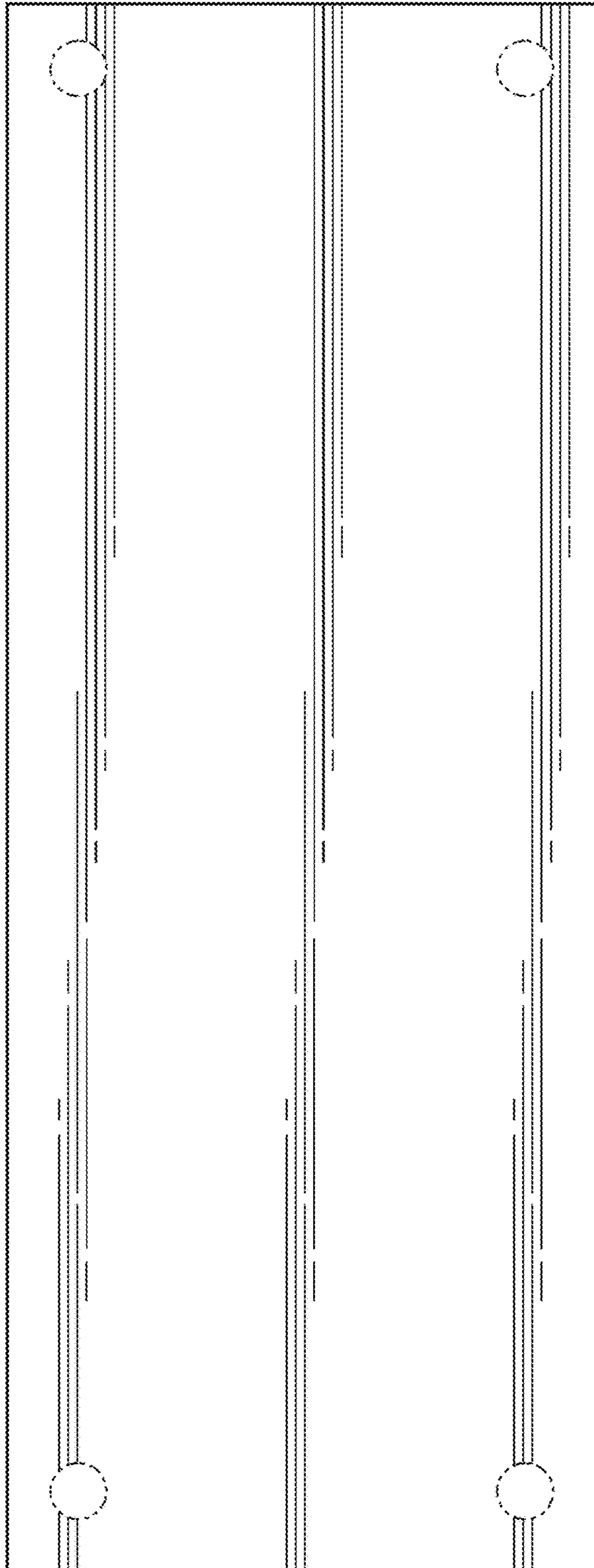


FIG. 8

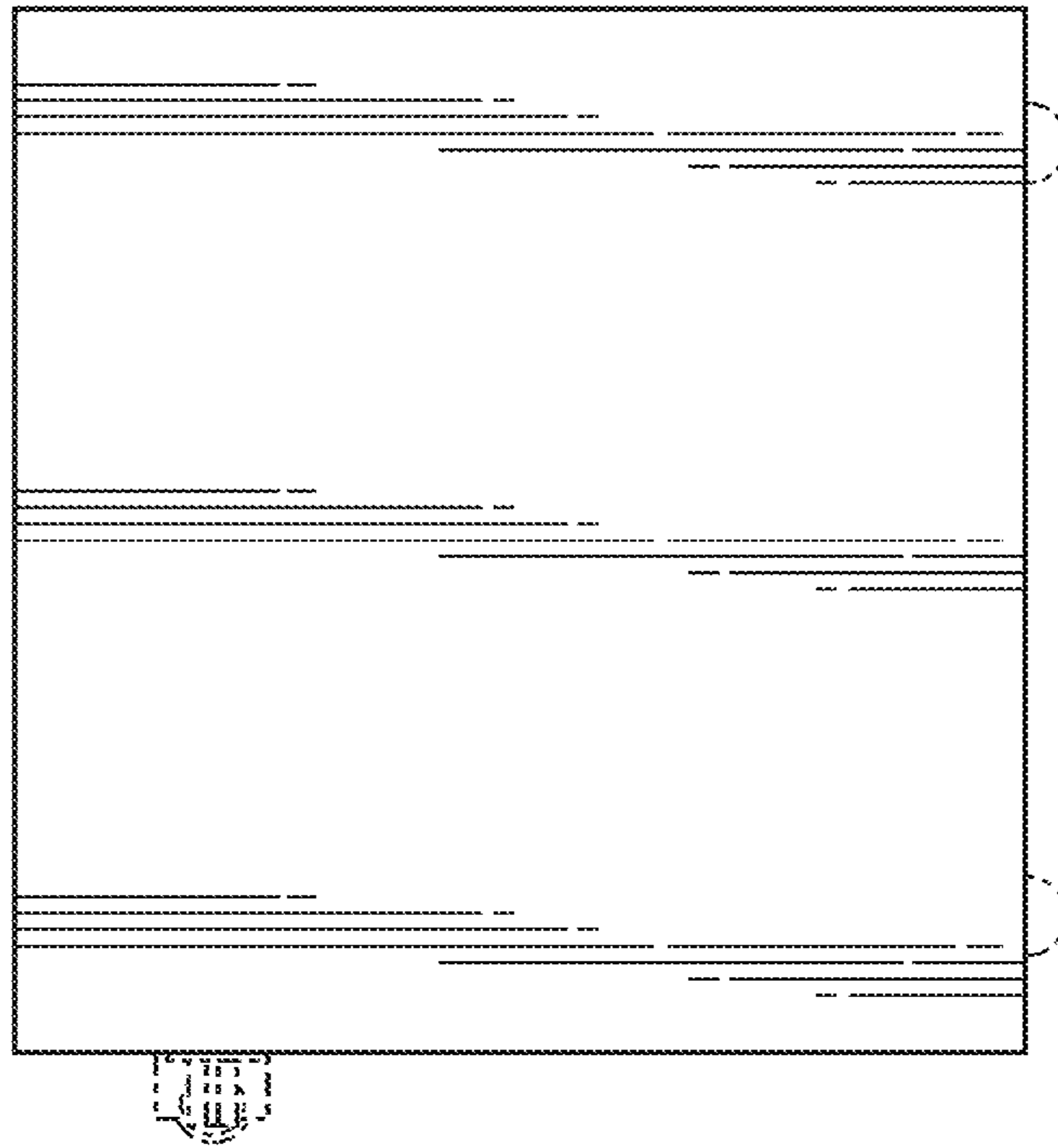


FIG. 9

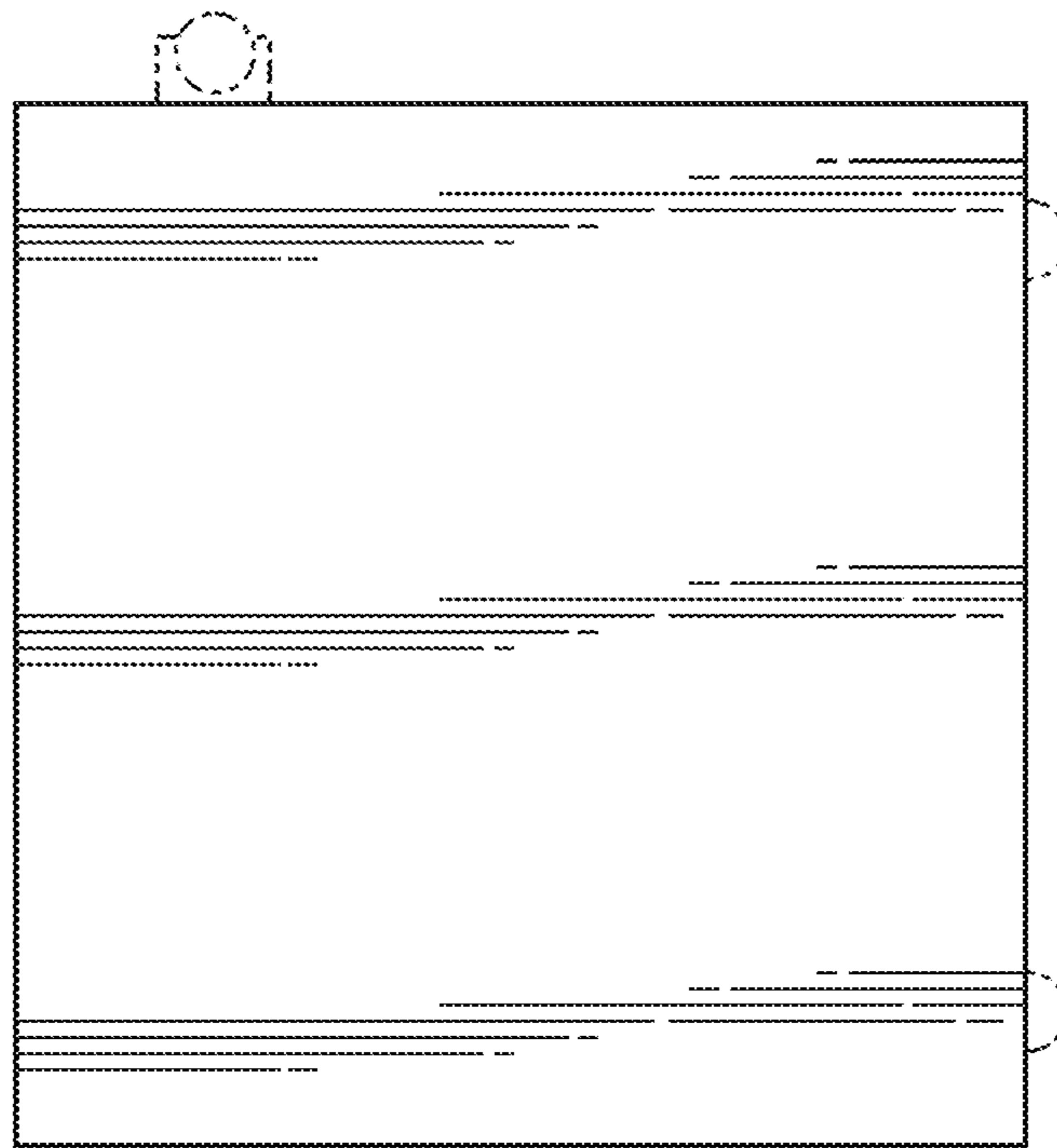


FIG. 10

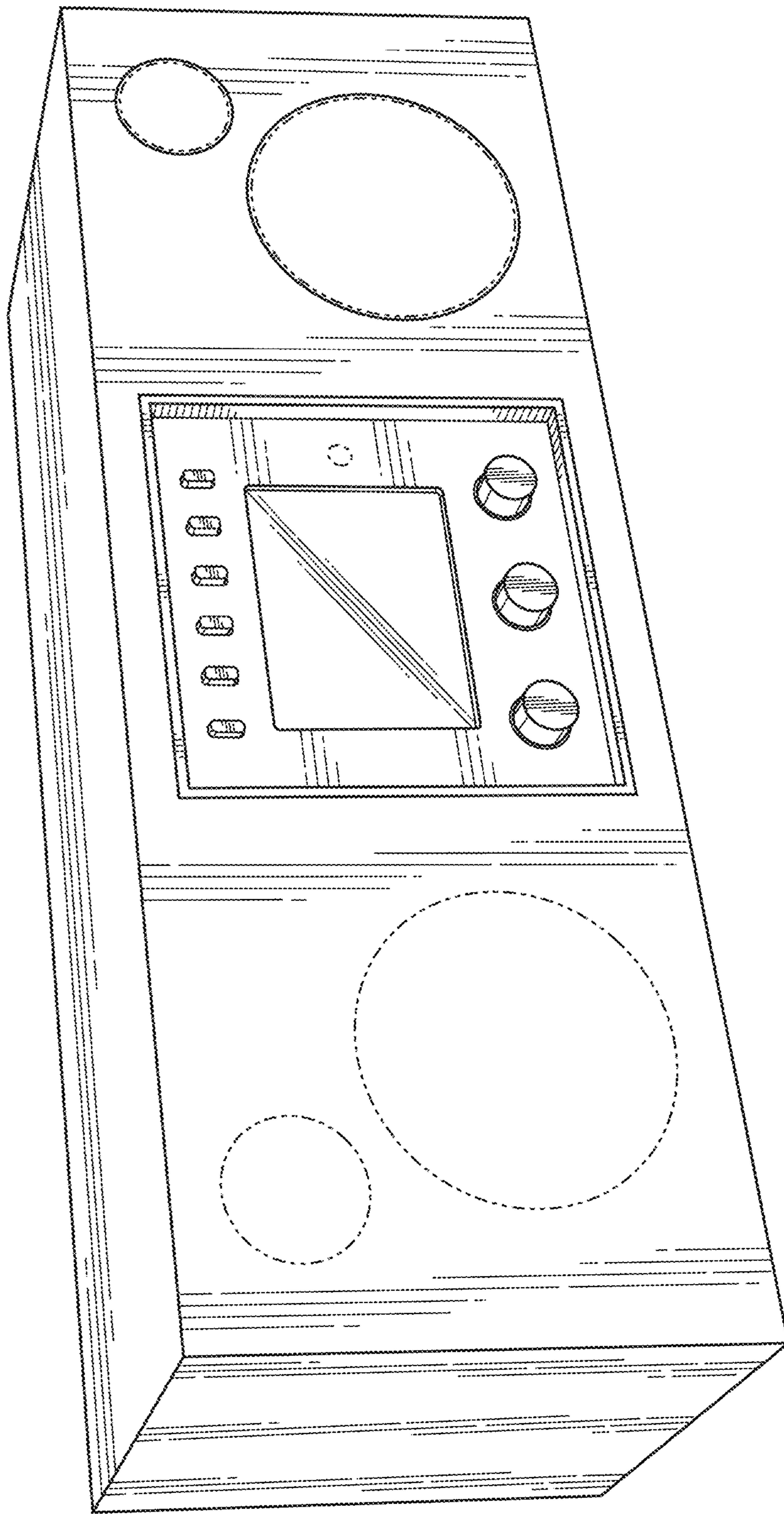


FIG. 11

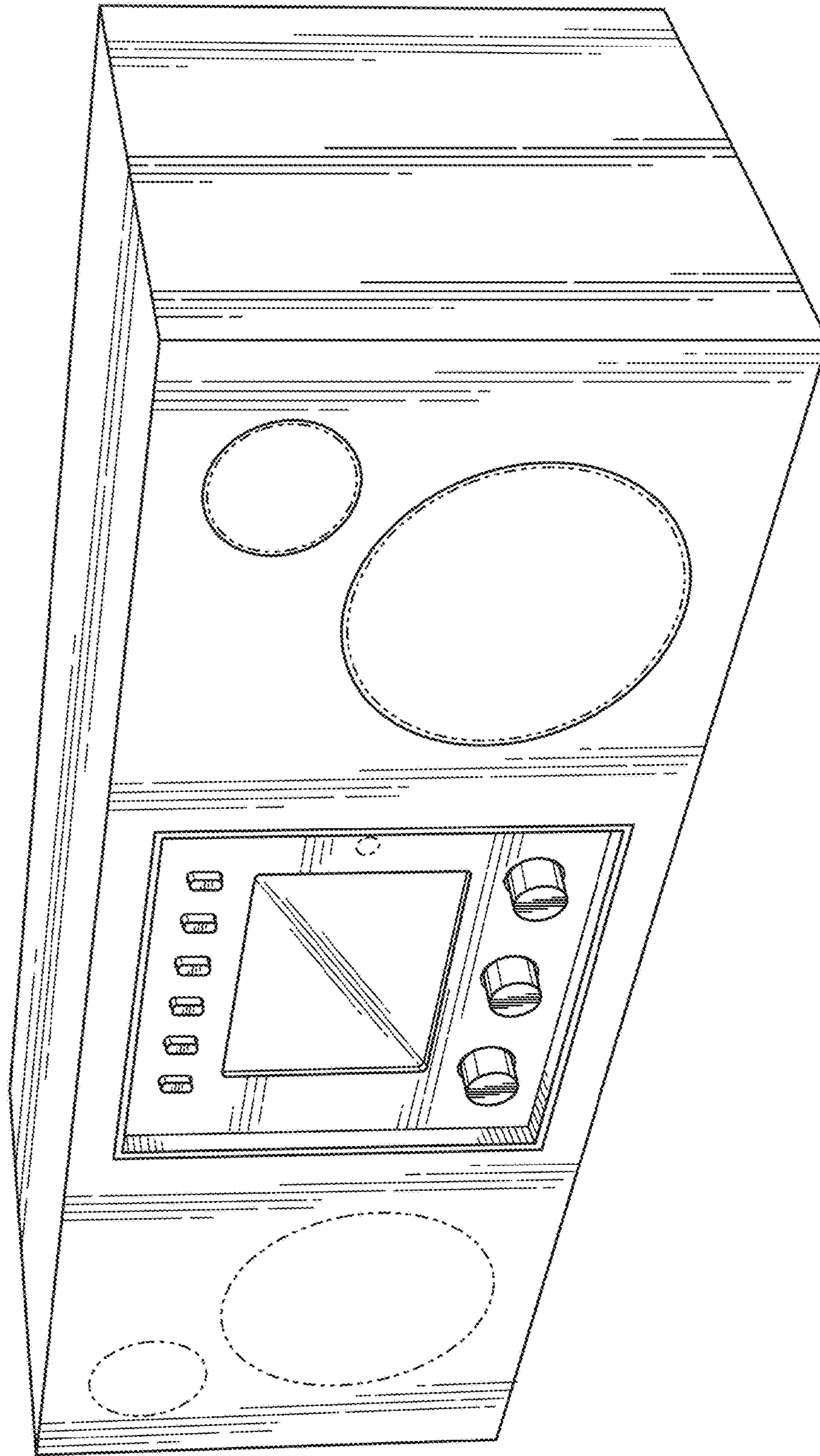


FIG. 12

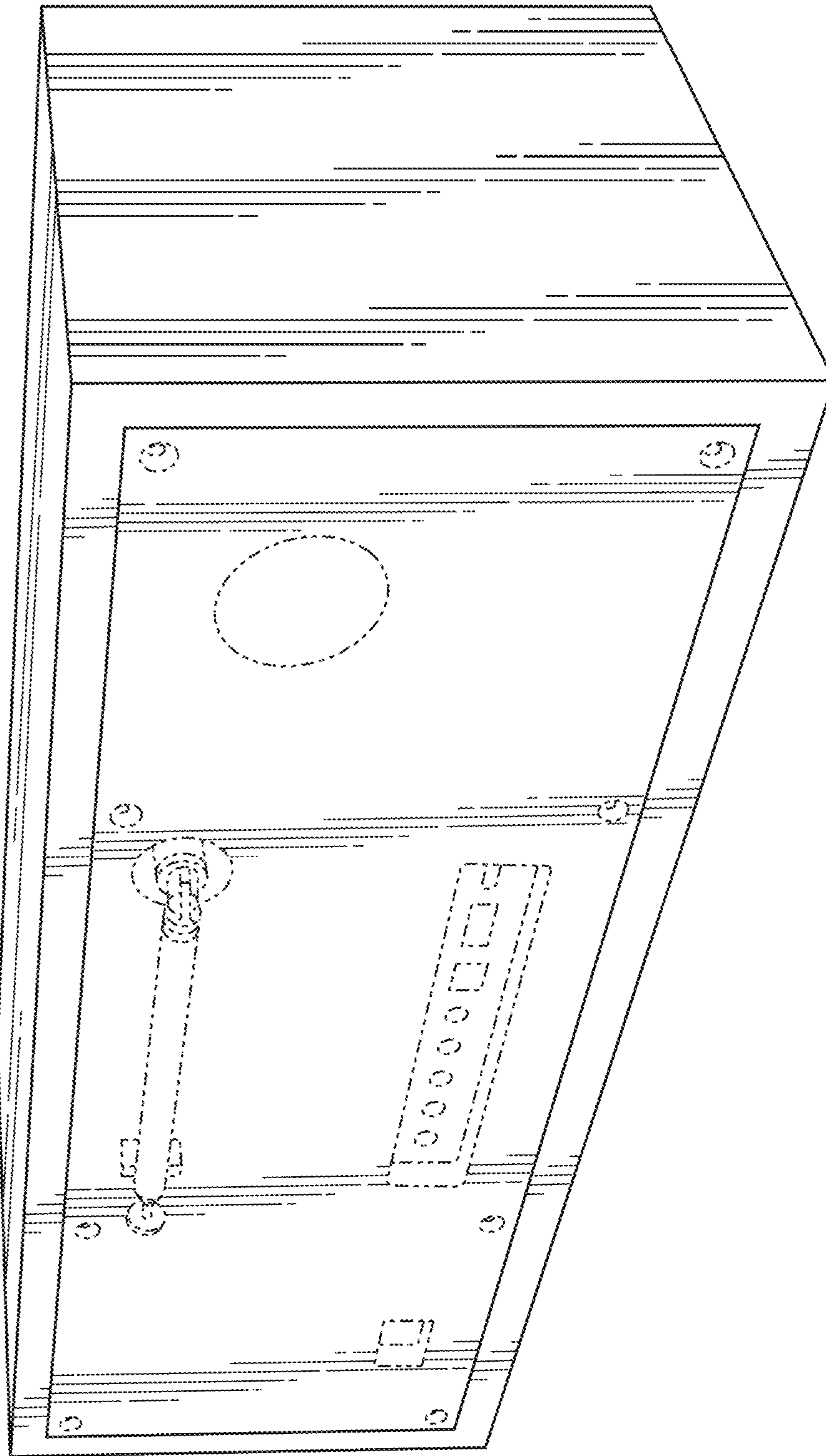


FIG. 13

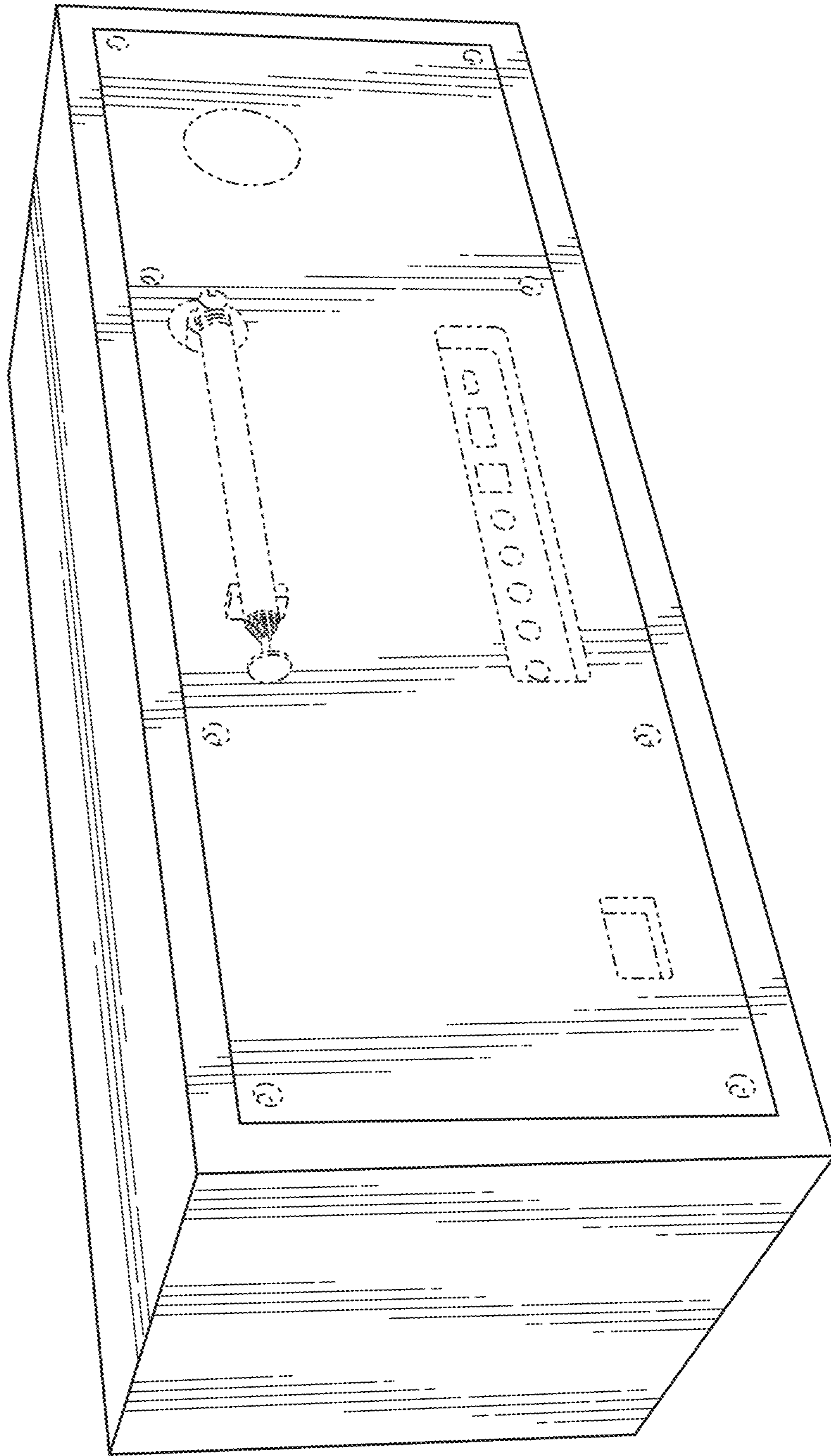


FIG. 14

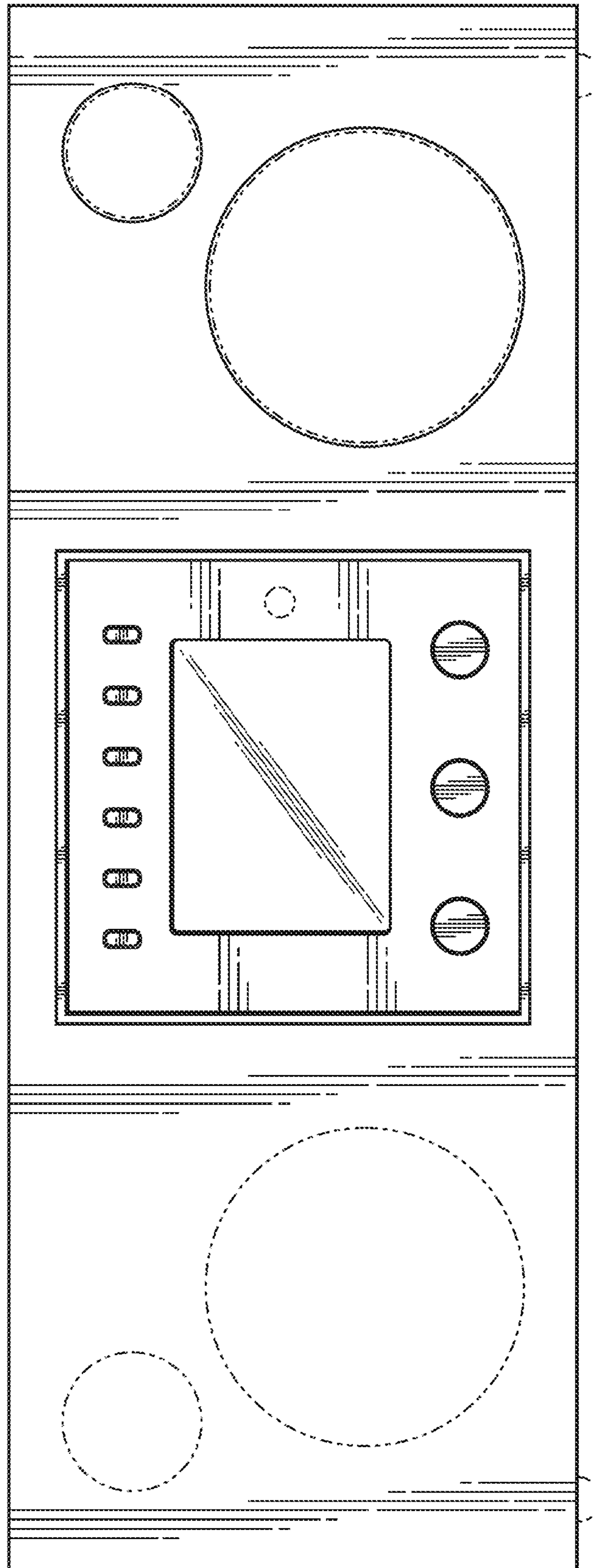


FIG. 15

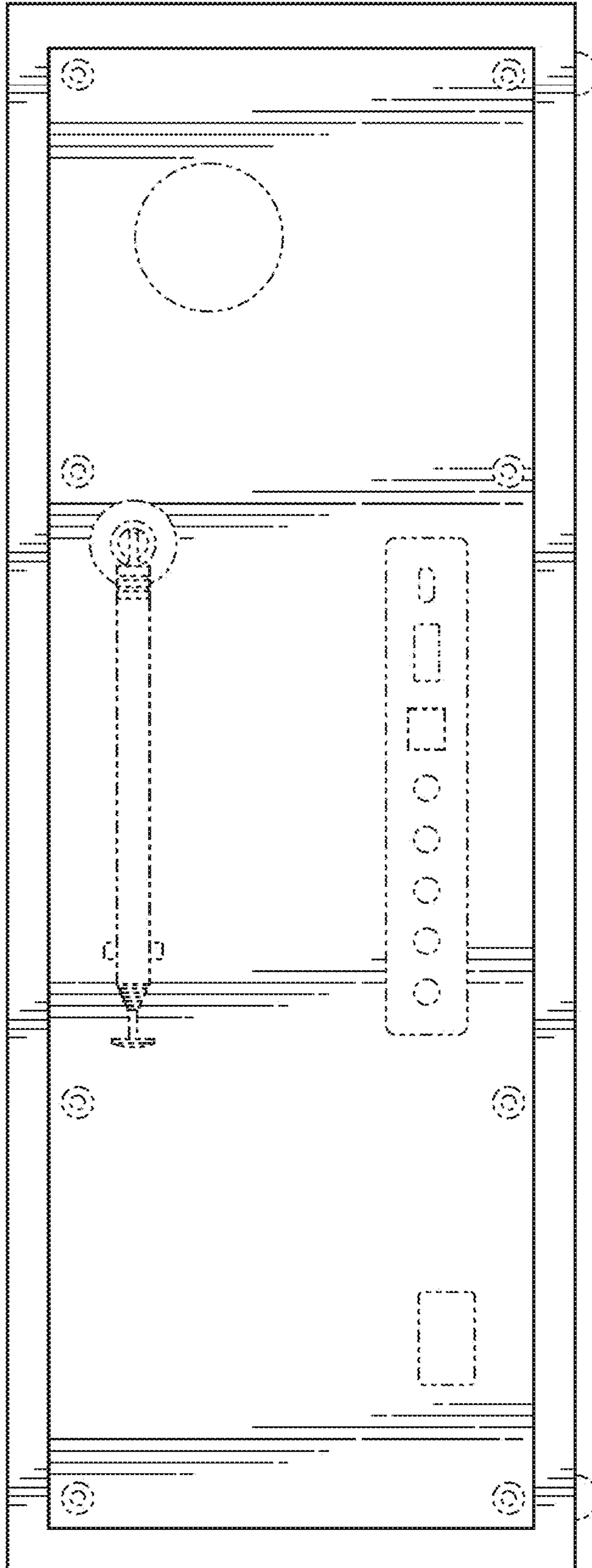


FIG. 16

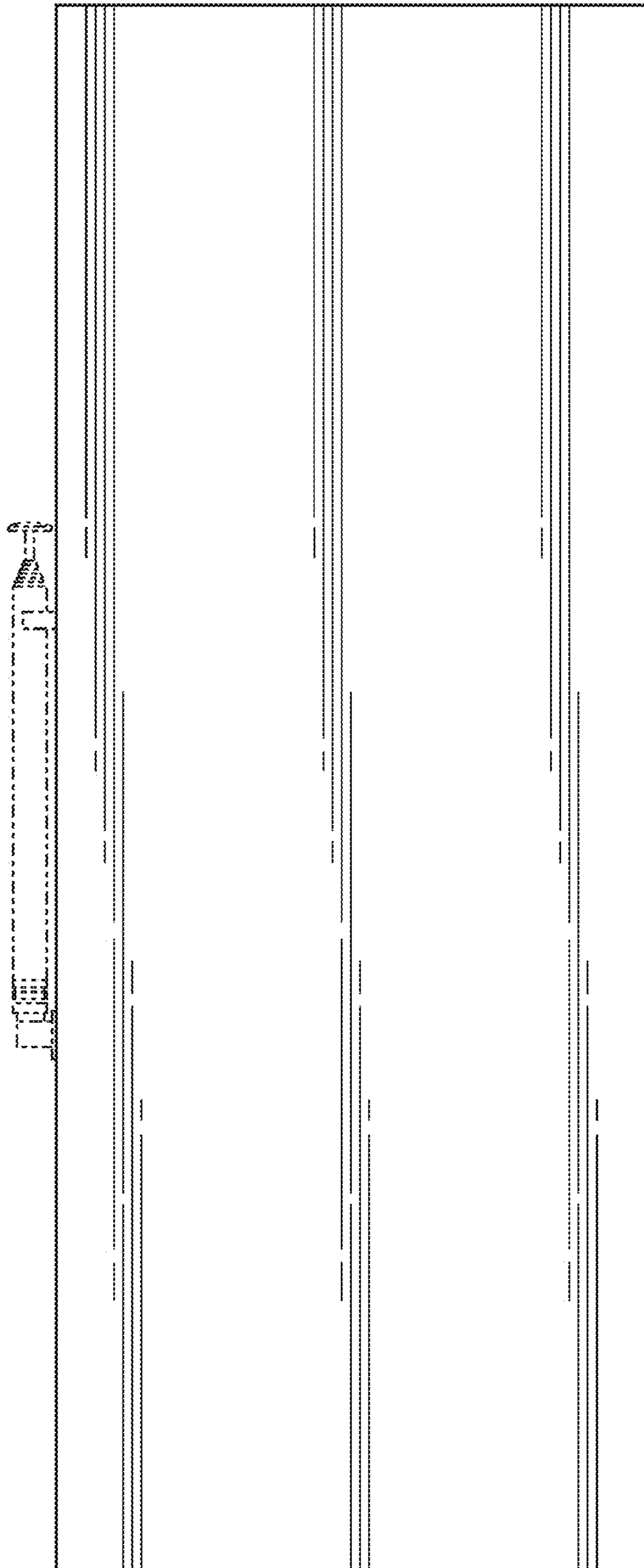


FIG. 17

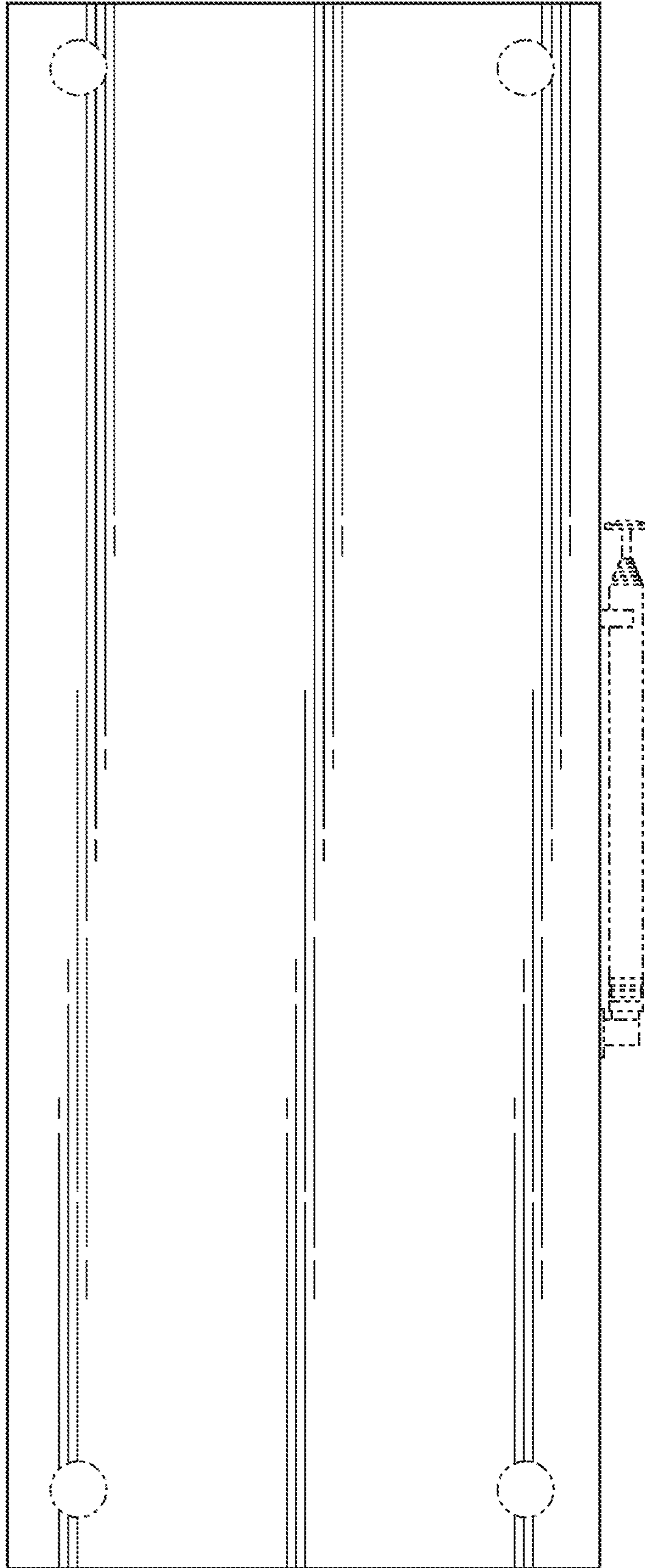


FIG. 18

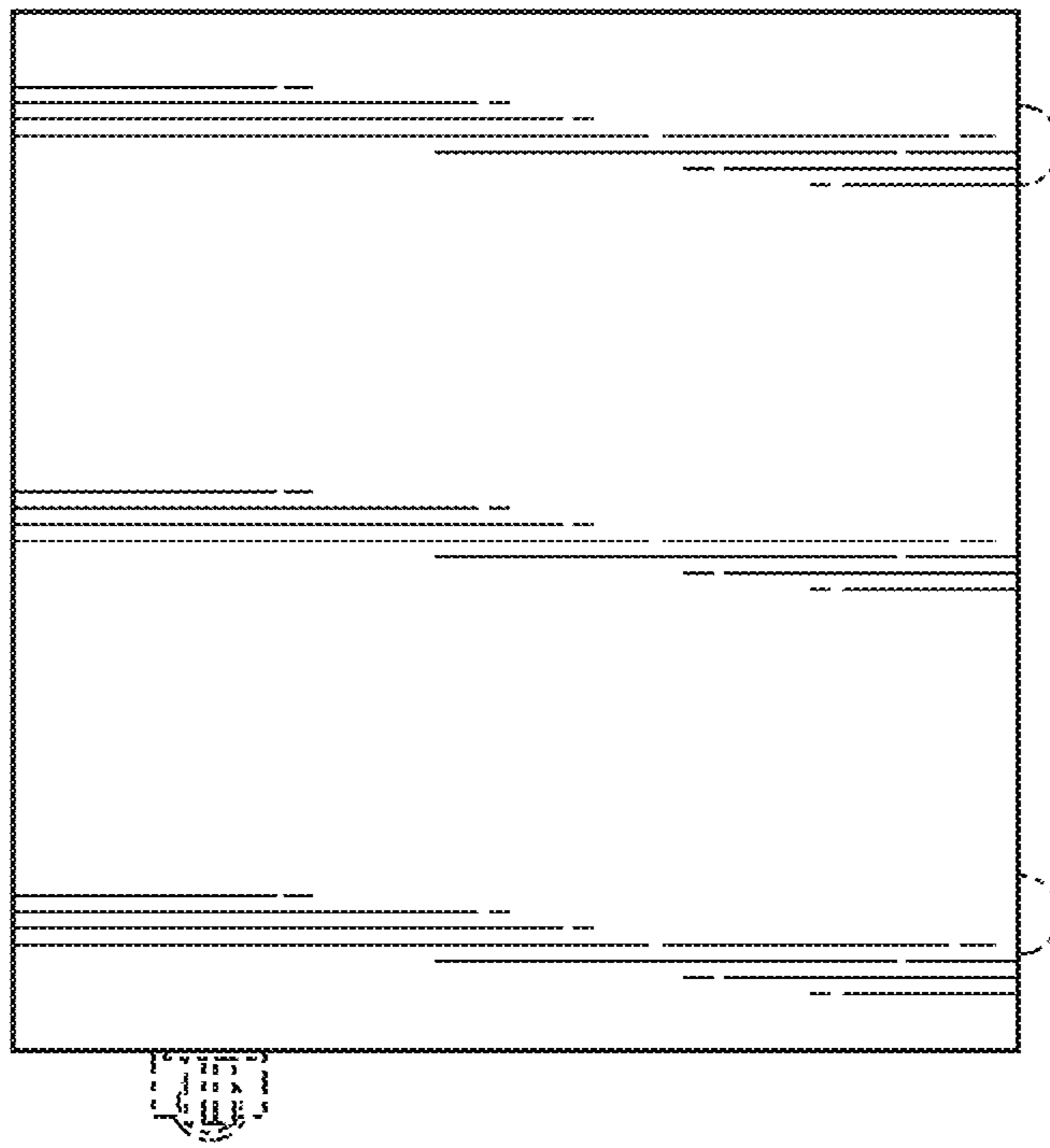


FIG. 19

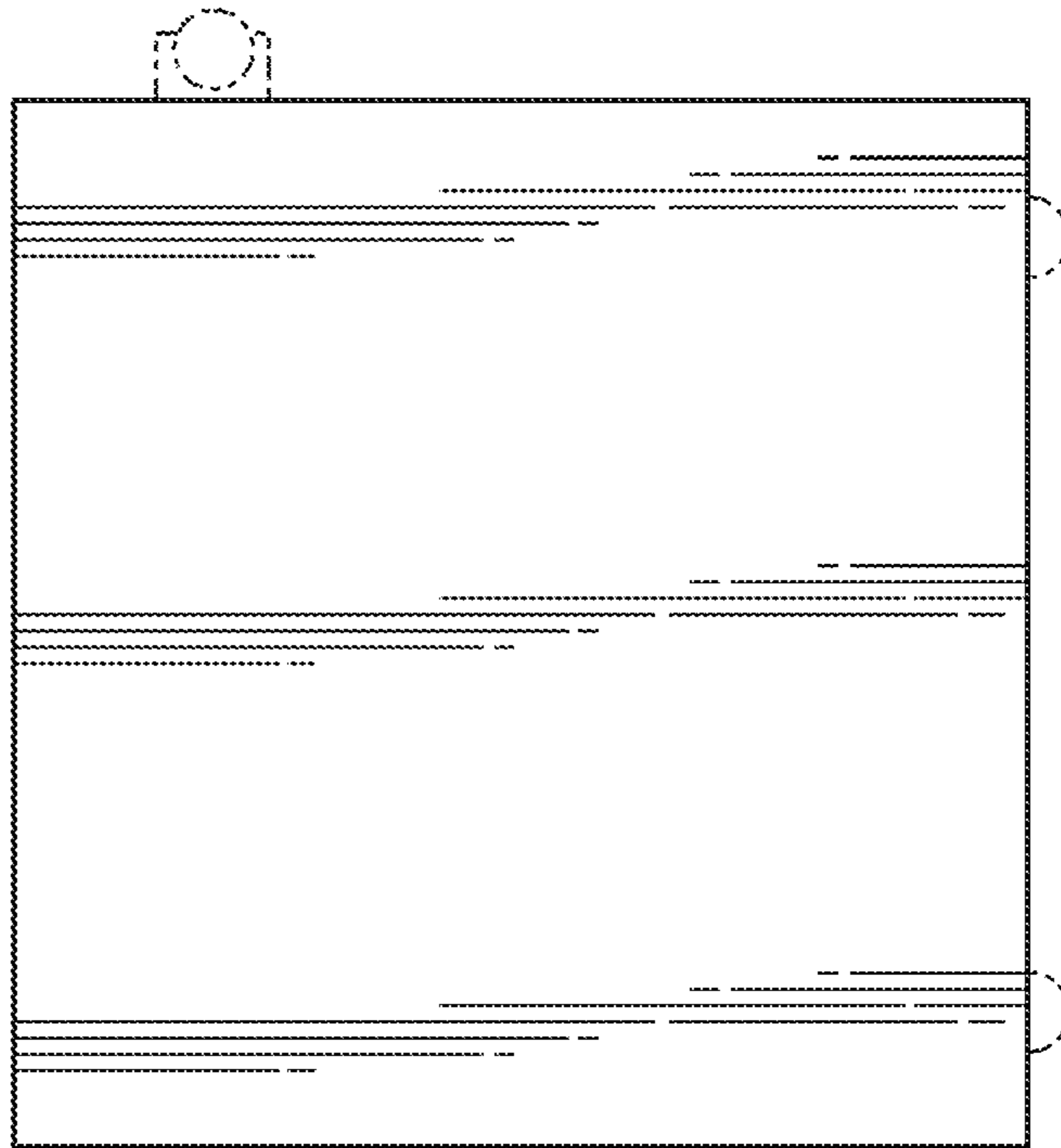


FIG. 20

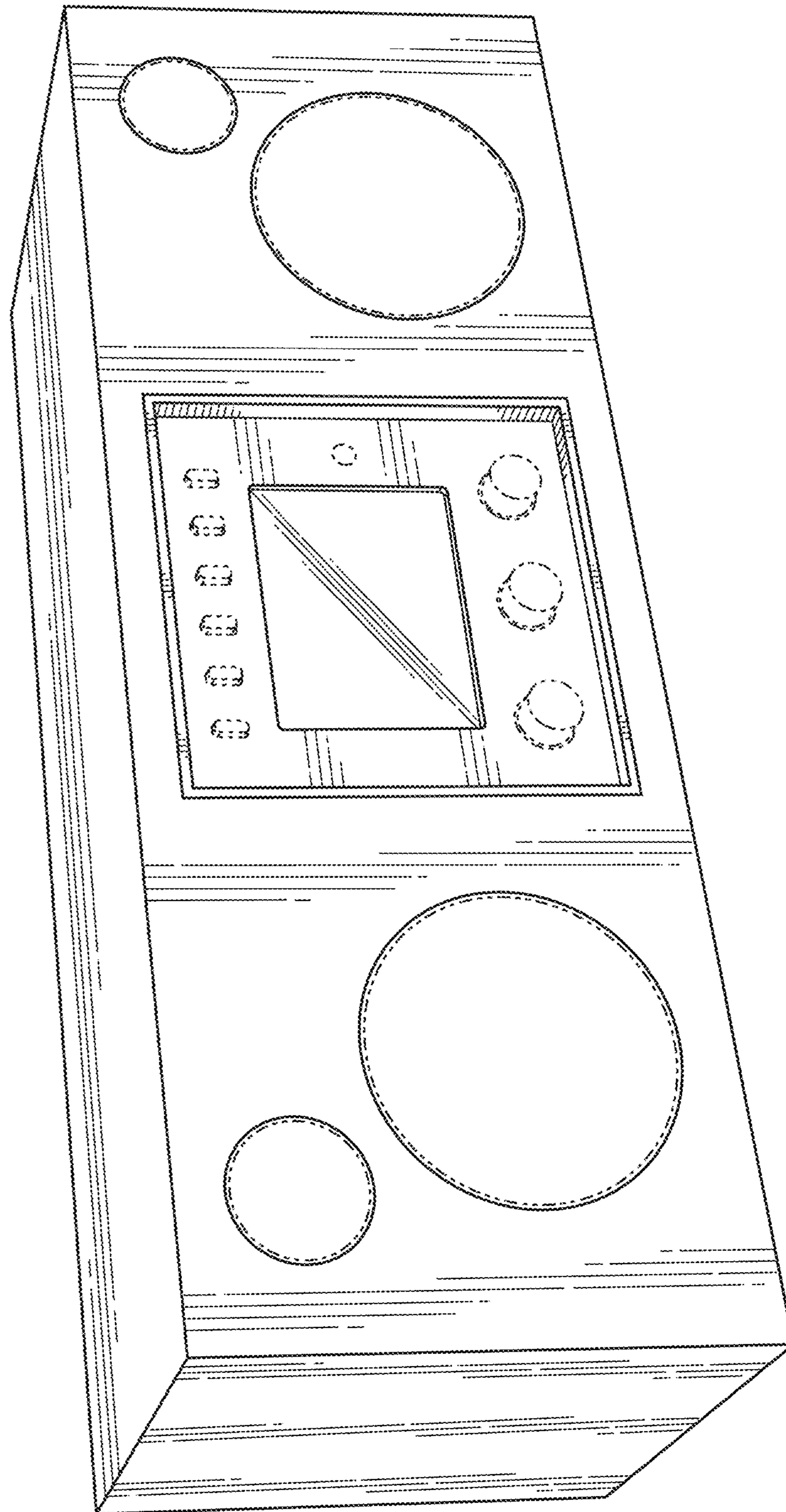


FIG. 21

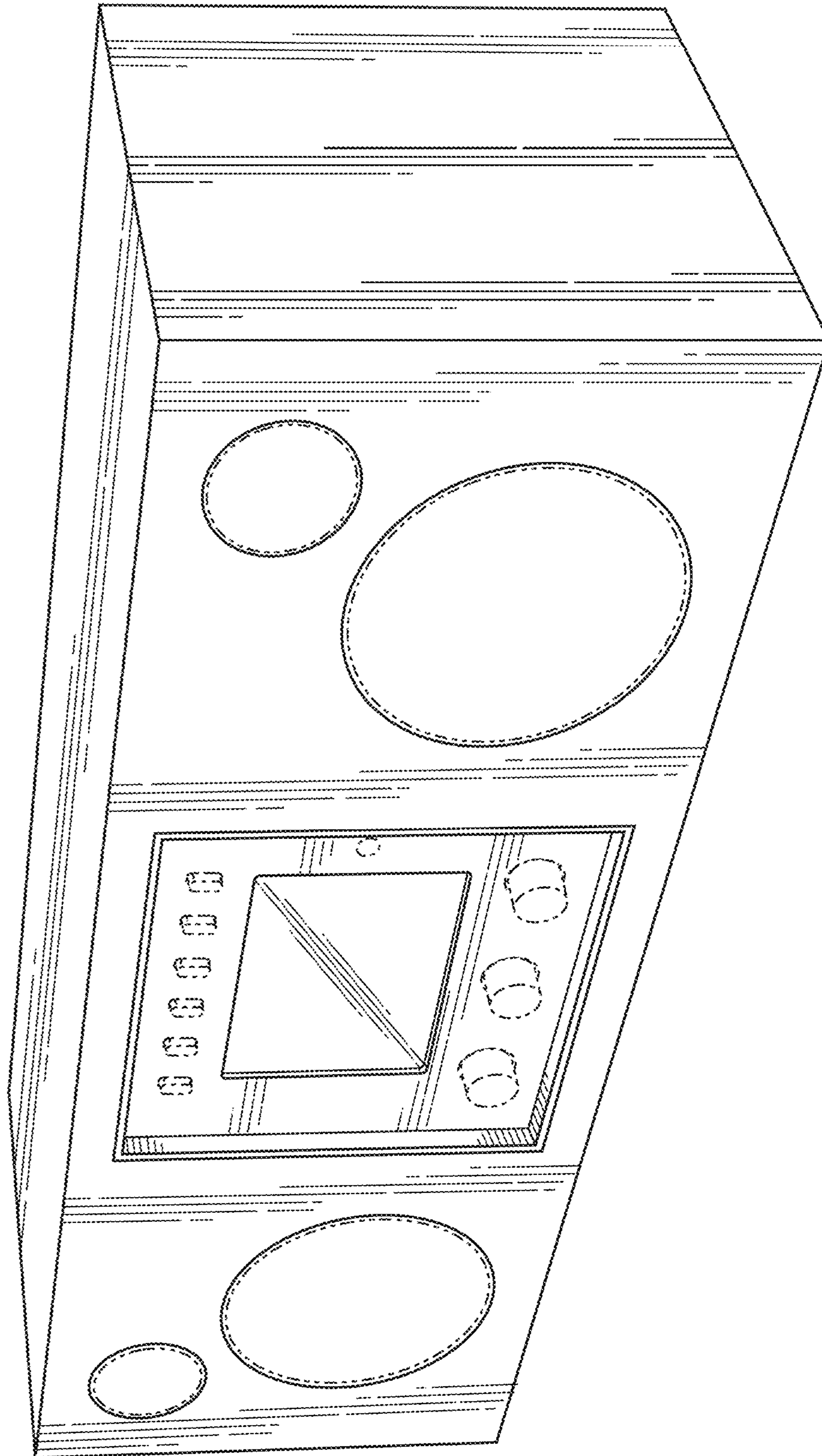


FIG. 22

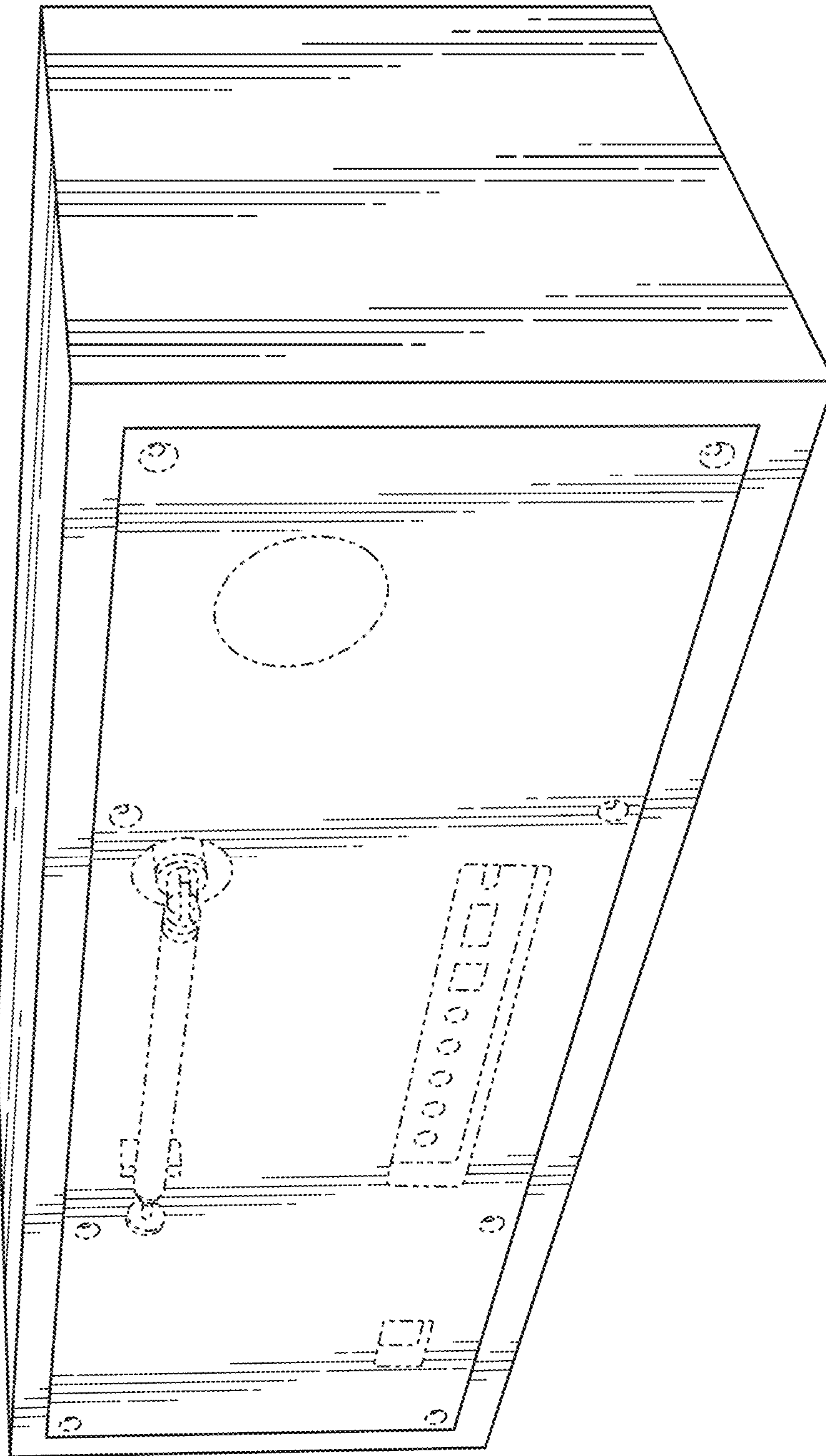


FIG. 23

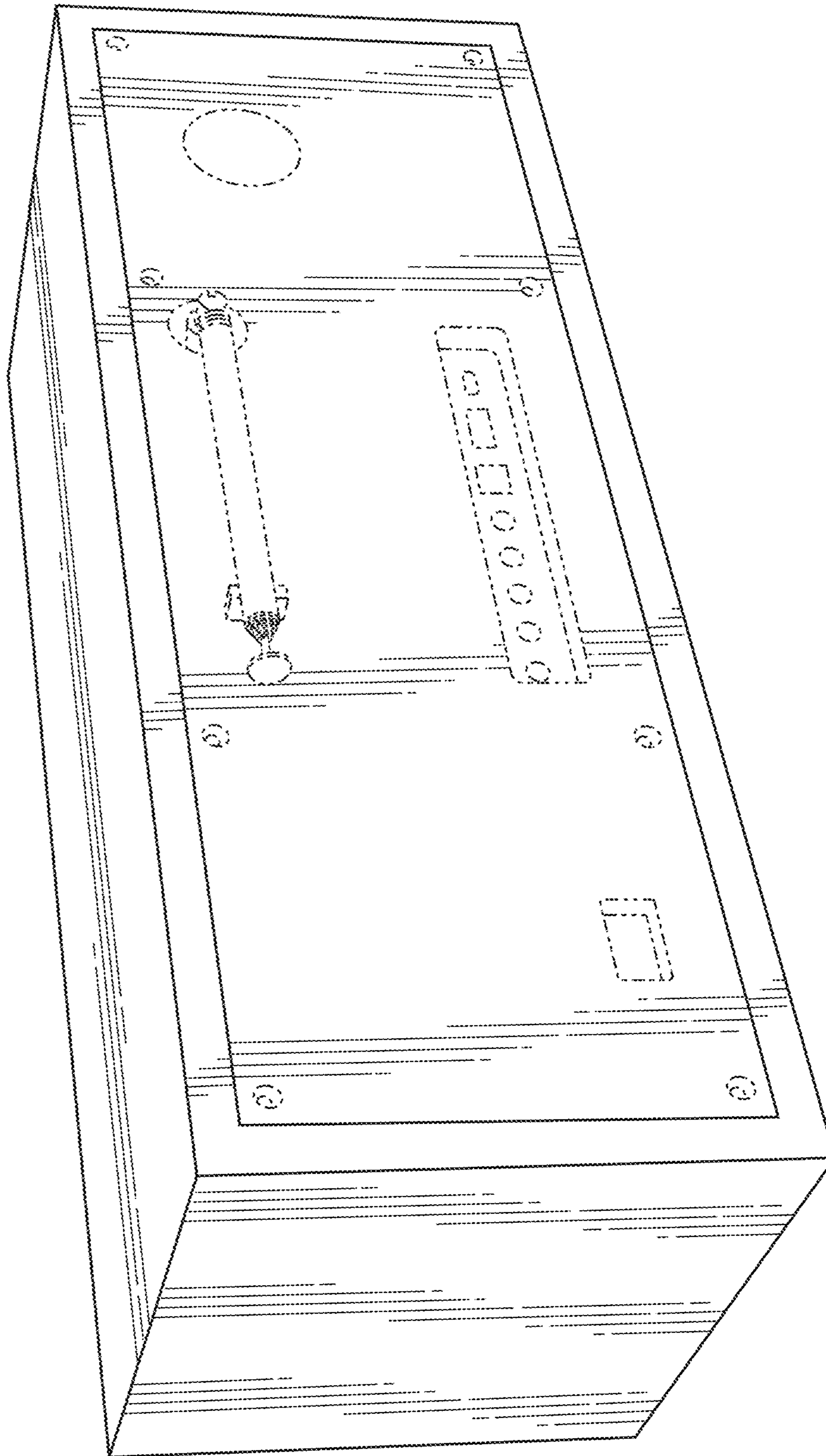


FIG. 24

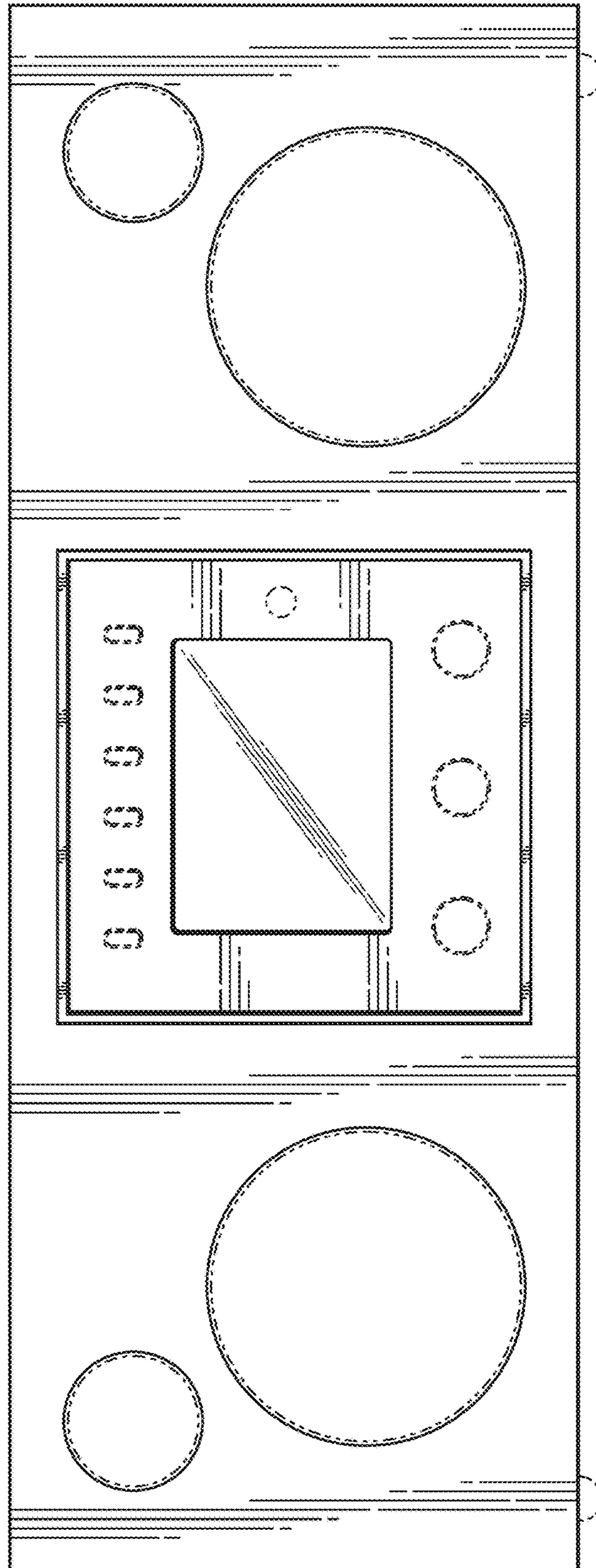


FIG. 25

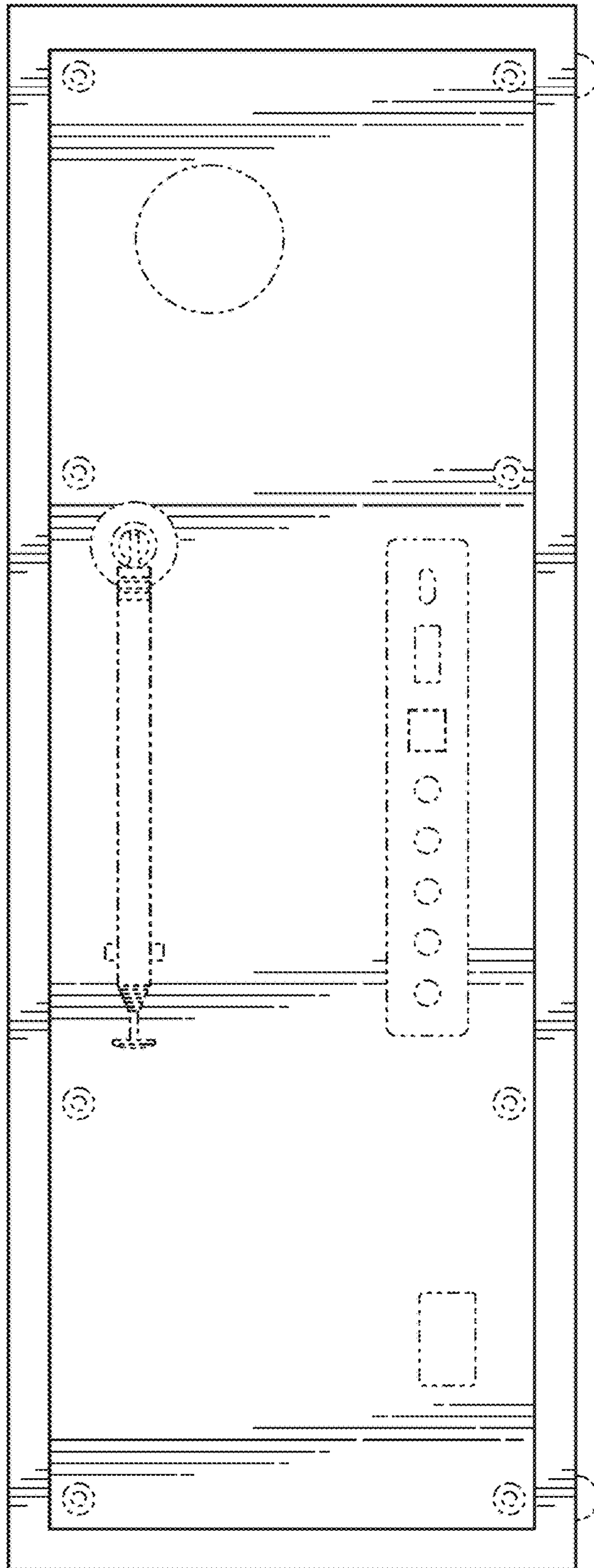


FIG. 26

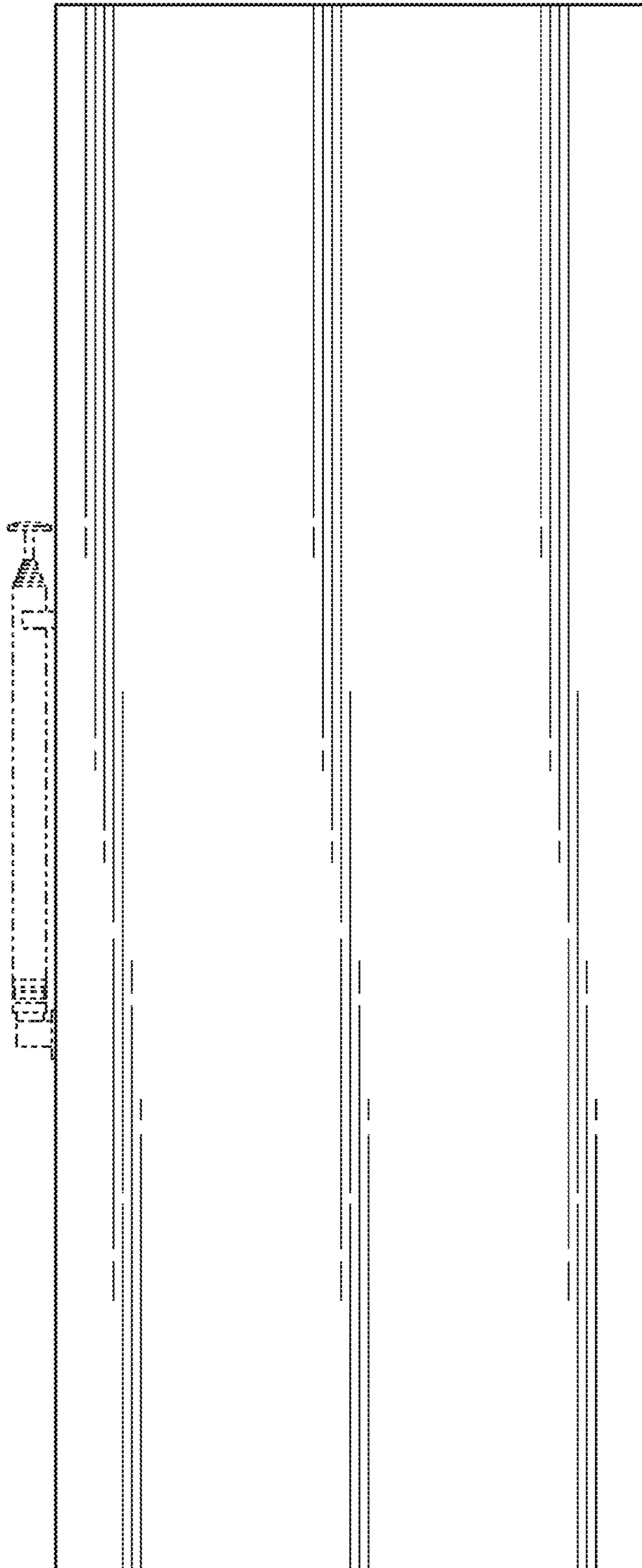


FIG. 27

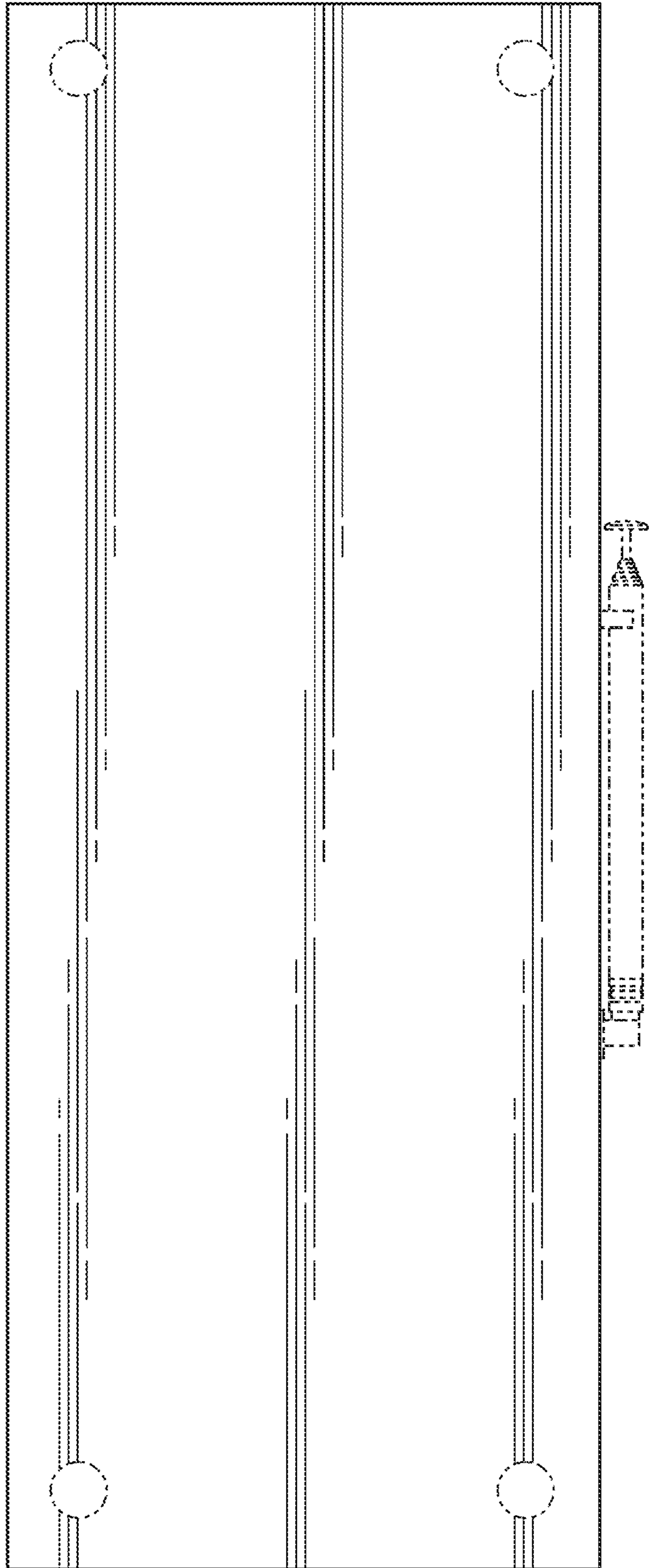


FIG. 28

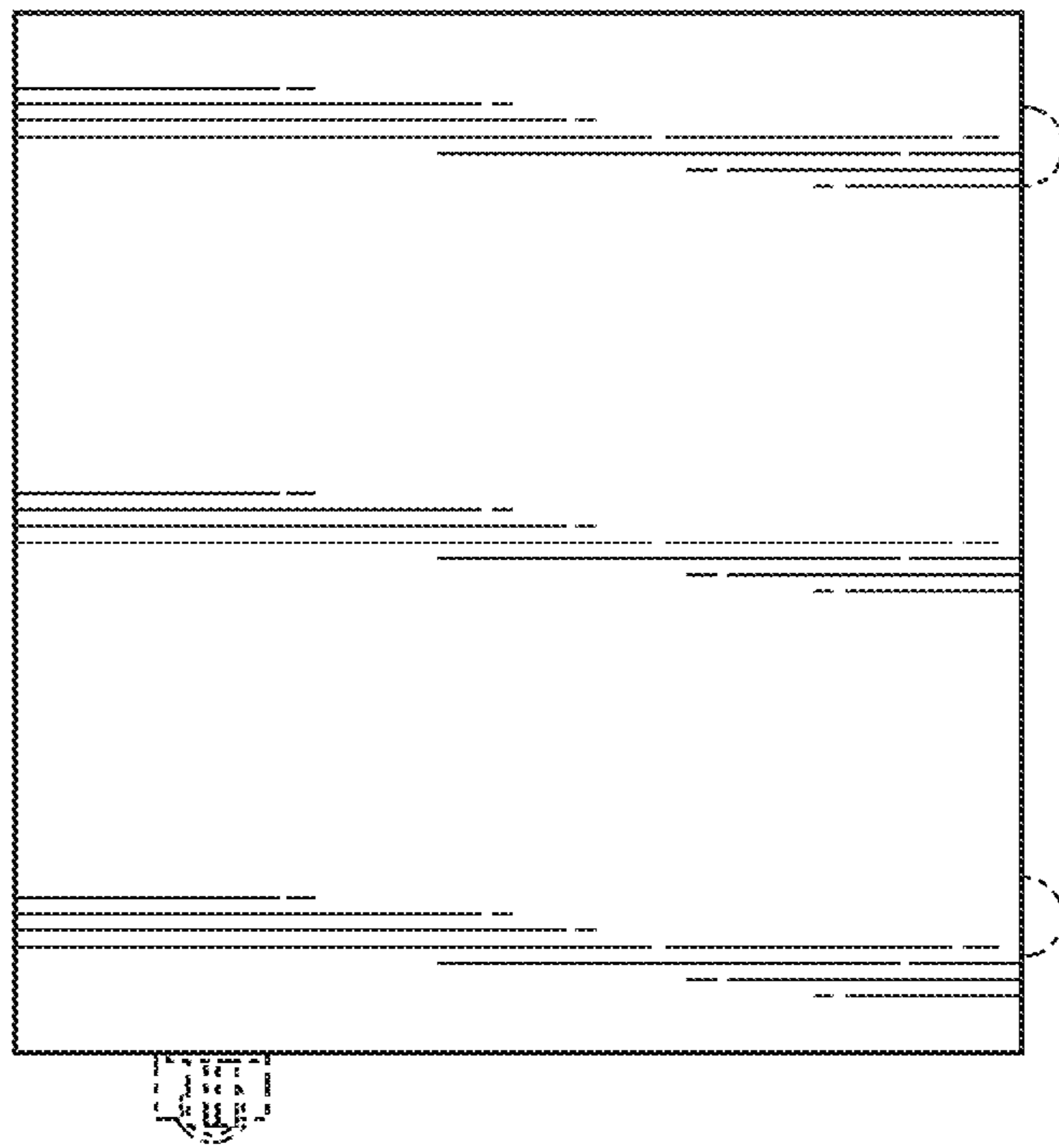


FIG. 29

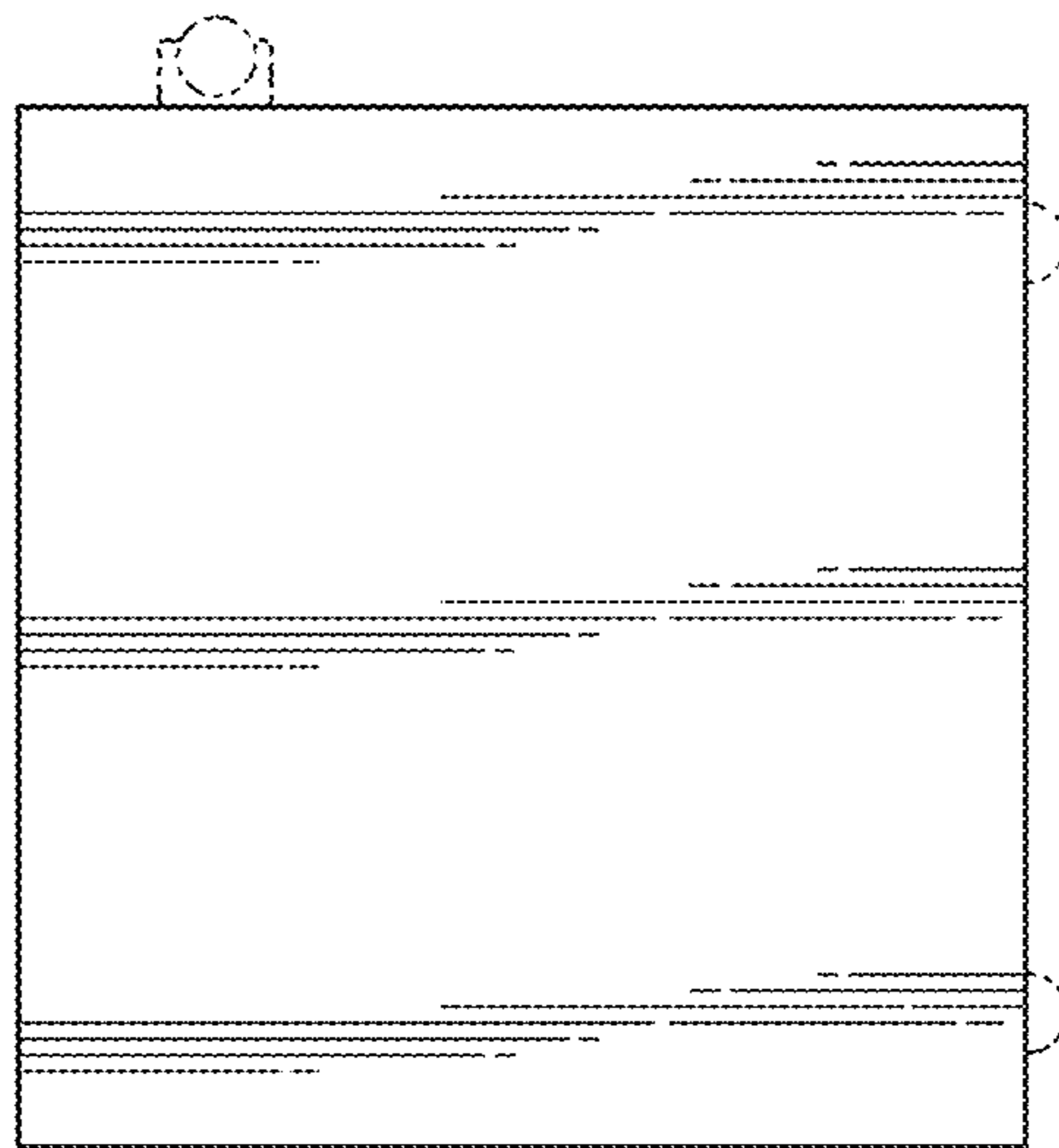


FIG. 30