



US00D788735S

(12) **United States Design Patent**
Daniel et al.

(10) **Patent No.:** **US D788,735 S**
(45) **Date of Patent:** **** Jun. 6, 2017**

(54) **COMMUNICATION DEVICE**

(71) Applicants: **Isaac S. Daniel**, Miramar, FL (US);
Basel Saleh, Miramar, FL (US)

(72) Inventors: **Isaac S. Daniel**, Miramar, FL (US);
Basel Saleh, Miramar, FL (US)

(**) Term: **15 Years**

(21) Appl. No.: **29/544,971**

(22) Filed: **Nov. 9, 2015**

(51) **LOC (10) Cl.** **14-03**

(52) **U.S. Cl.**

USPC **D14/138 G**; D14/341

(58) **Field of Classification Search**

USPC D14/341-347, 137, 138 R, 138 AA,
D14/138 C, 138 G, 496, 203.1, 203.3,
D14/203.4, 203.7, 129, 130, 147, 218,
D14/248, 389, 388, 426, 420, 440;
D10/65, 104.1; D18/6, 7; D21/324, 329,
D21/330; 455/556.1, 556.2, 566, 575.1,
455/90.3; 379/433.04, 433.01, 433.06,
379/916; 345/173, 901, 905;
361/679.26, 670.3, 679.55, 679.56
CPC H04M 1/00; H04M 11/066; H04M 1/2478;
H04M 1/72519; H04M 2201/38; H04M
2250/22; G06F 15/00

See application file for complete search history.

(56) **References Cited**

U.S. PATENT DOCUMENTS

D530,696 S * 10/2006 Lee D14/138 AA
D676,400 S * 2/2013 Kitamura D14/138 G

D694,732 S * 12/2013 Lee D14/138 G
D721,346 S * 1/2015 Lee D14/138 G
D721,670 S * 1/2015 Lee D14/138 G
D736,734 S * 8/2015 Nagao D14/138 G
D736,737 S * 8/2015 Lee D14/138 G
D741,832 S * 10/2015 Lee D14/138 G
D747,285 S * 1/2016 Kim D14/138 G
D749,054 S * 2/2016 Kim D14/138 G
D750,588 S * 3/2016 Kim D14/138 G
D756,948 S * 5/2016 Kim D14/138 G
D757,674 S * 5/2016 Seo D14/138 G

* cited by examiner

Primary Examiner — Garth Rademaker

Assistant Examiner — Katie Stofko Mroczka

(74) *Attorney, Agent, or Firm* — Alberto Interian, III,
Esq.

(57) **CLAIM**

The ornamental design for a communication device, as shown and described.

DESCRIPTION

FIG. 1 is a front perspective view of a communication device.

FIG. 2 is a rear perspective view of the invention.

FIG. 3 is a top view of the invention.

FIG. 4 is a bottom view of the invention.

FIG. 5 is a right perspective view of the invention.

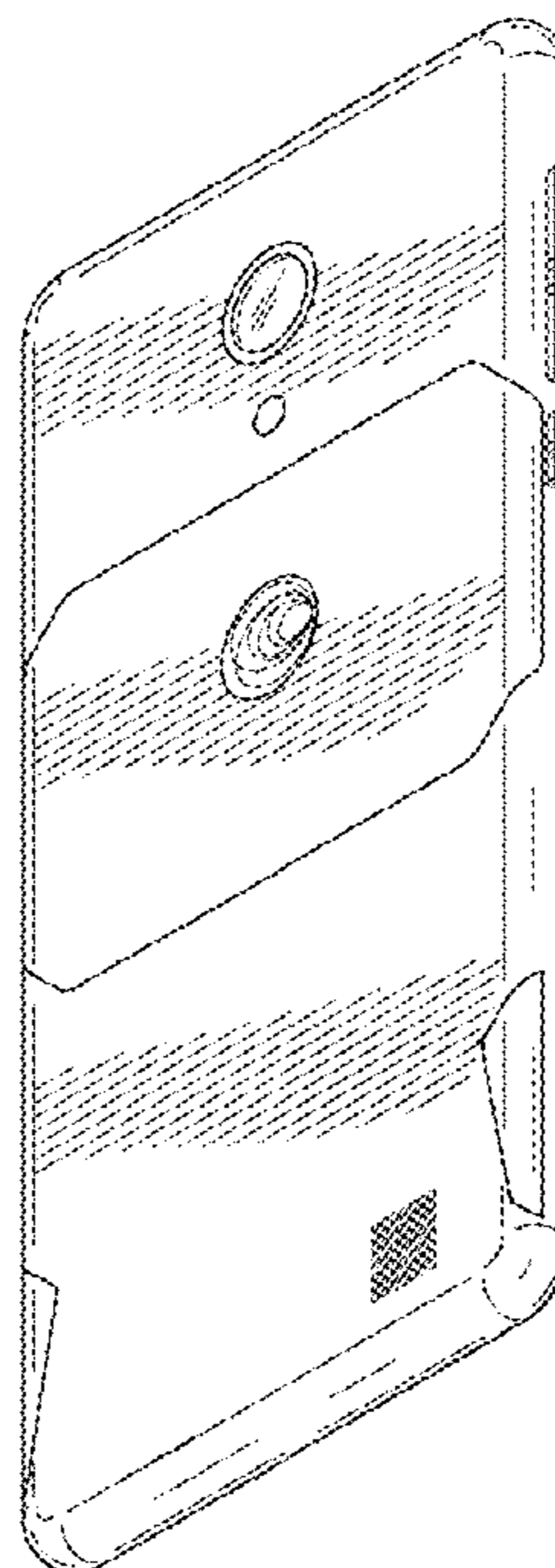
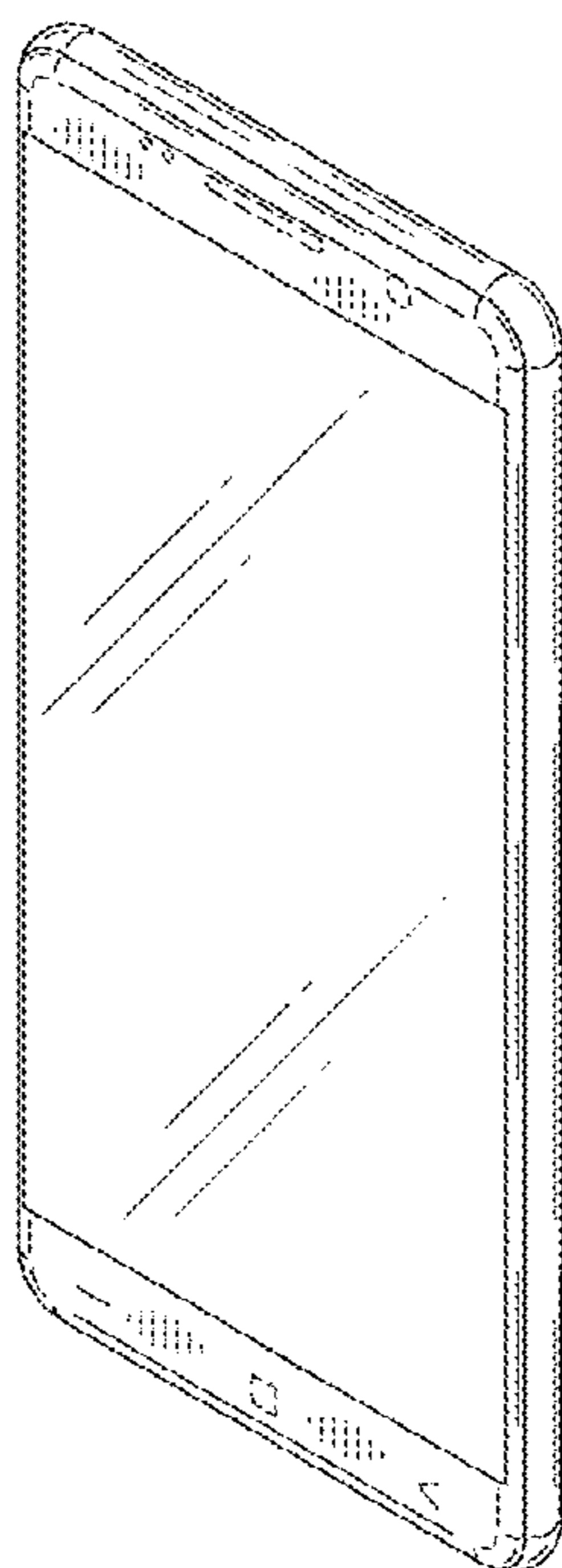
FIG. 6 is a left perspective view of the invention.

FIG. 7 is a front plan view of the invention; and,

FIG. 8 is a rear plan view of the invention.

The broken lines in FIGS. 1 and 7 illustrate portions of the communication device that form no part of the claimed design.

1 Claim, 6 Drawing Sheets



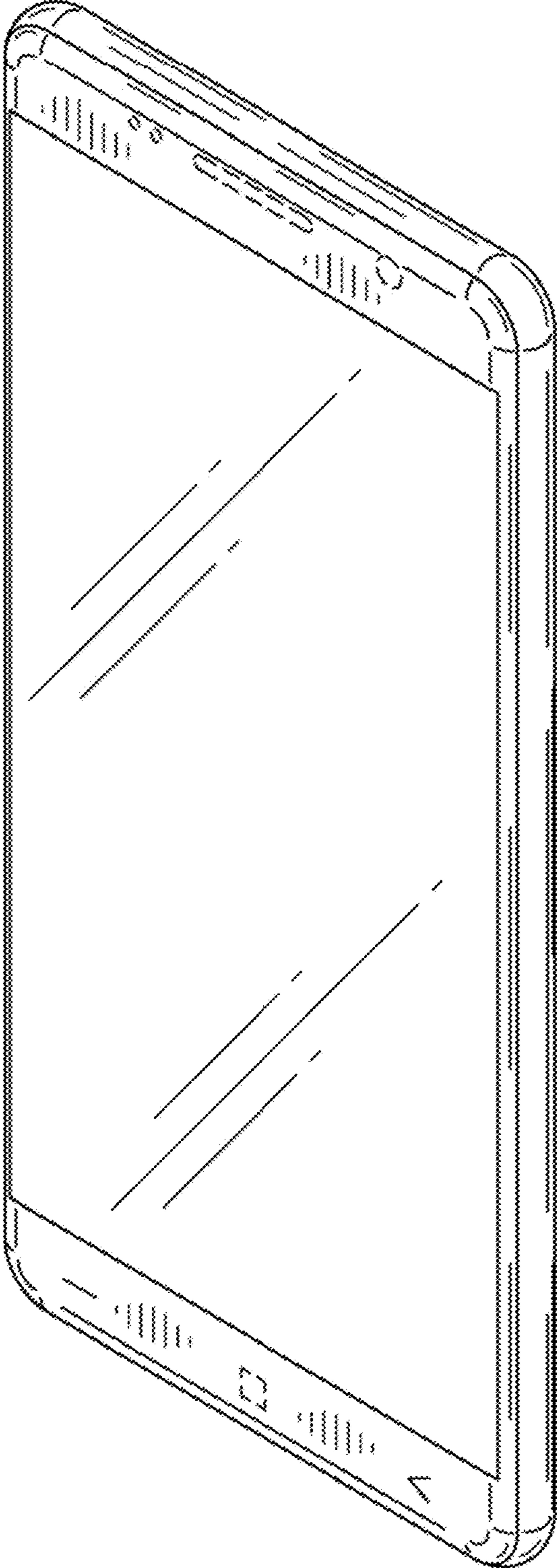


FIG. 1

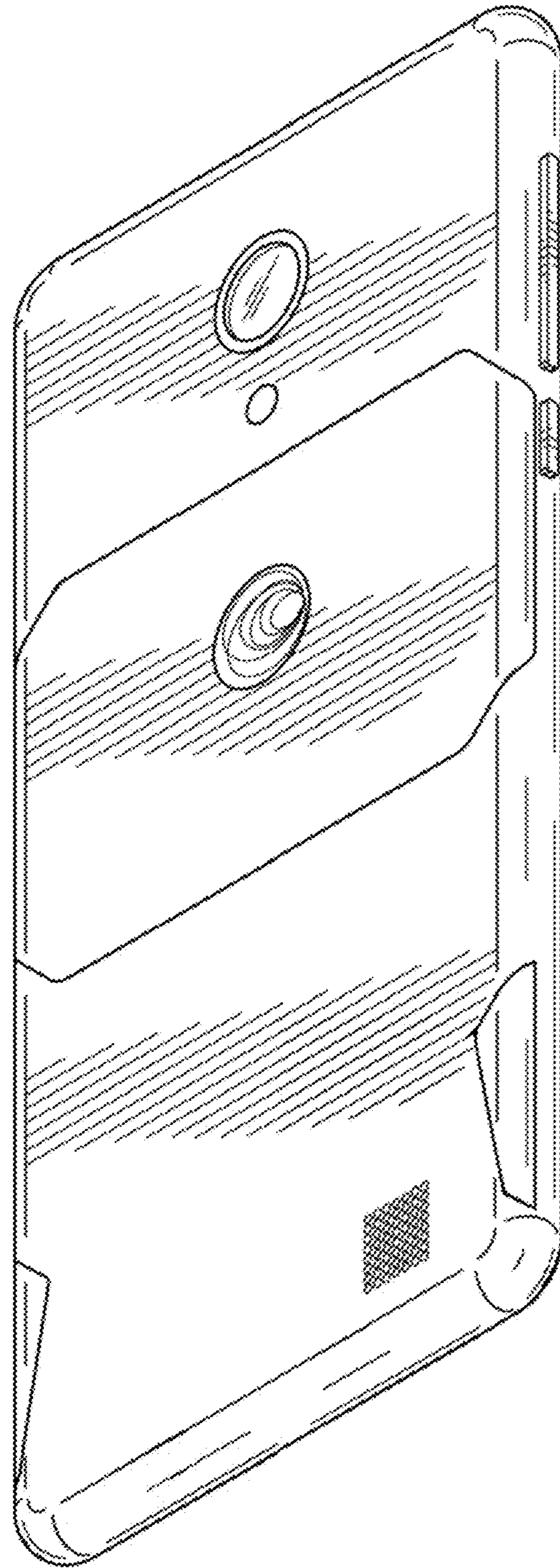


FIG. 2

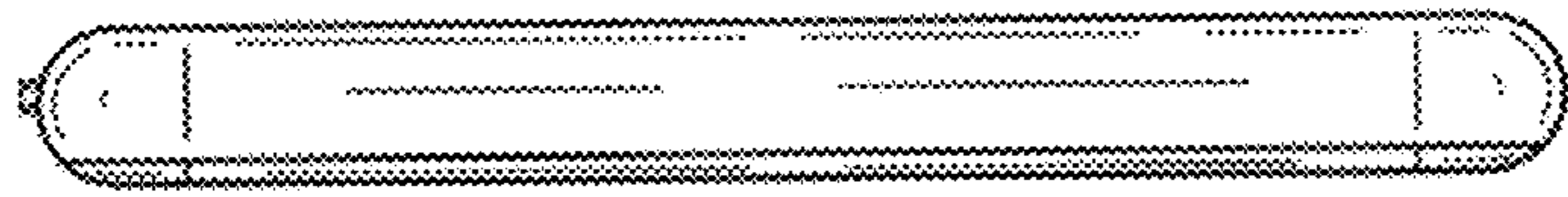


FIG. 3

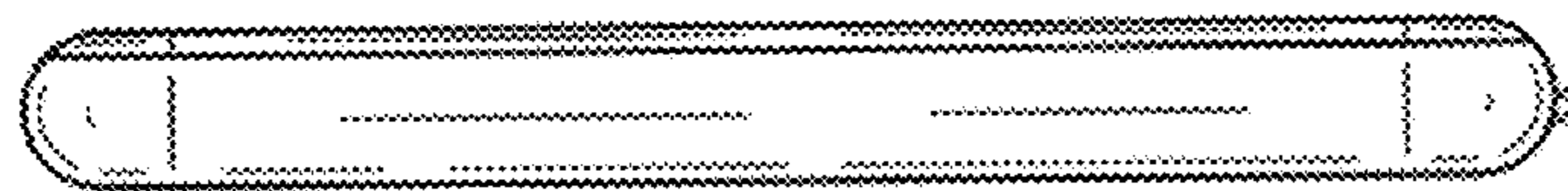


FIG. 4

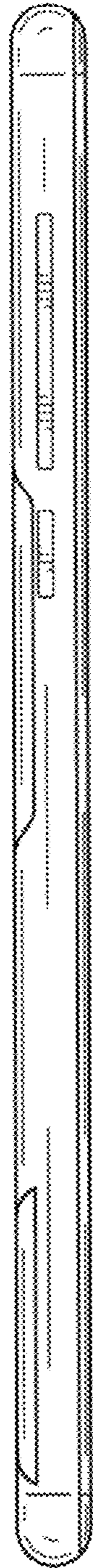


FIG. 5



FIG. 6

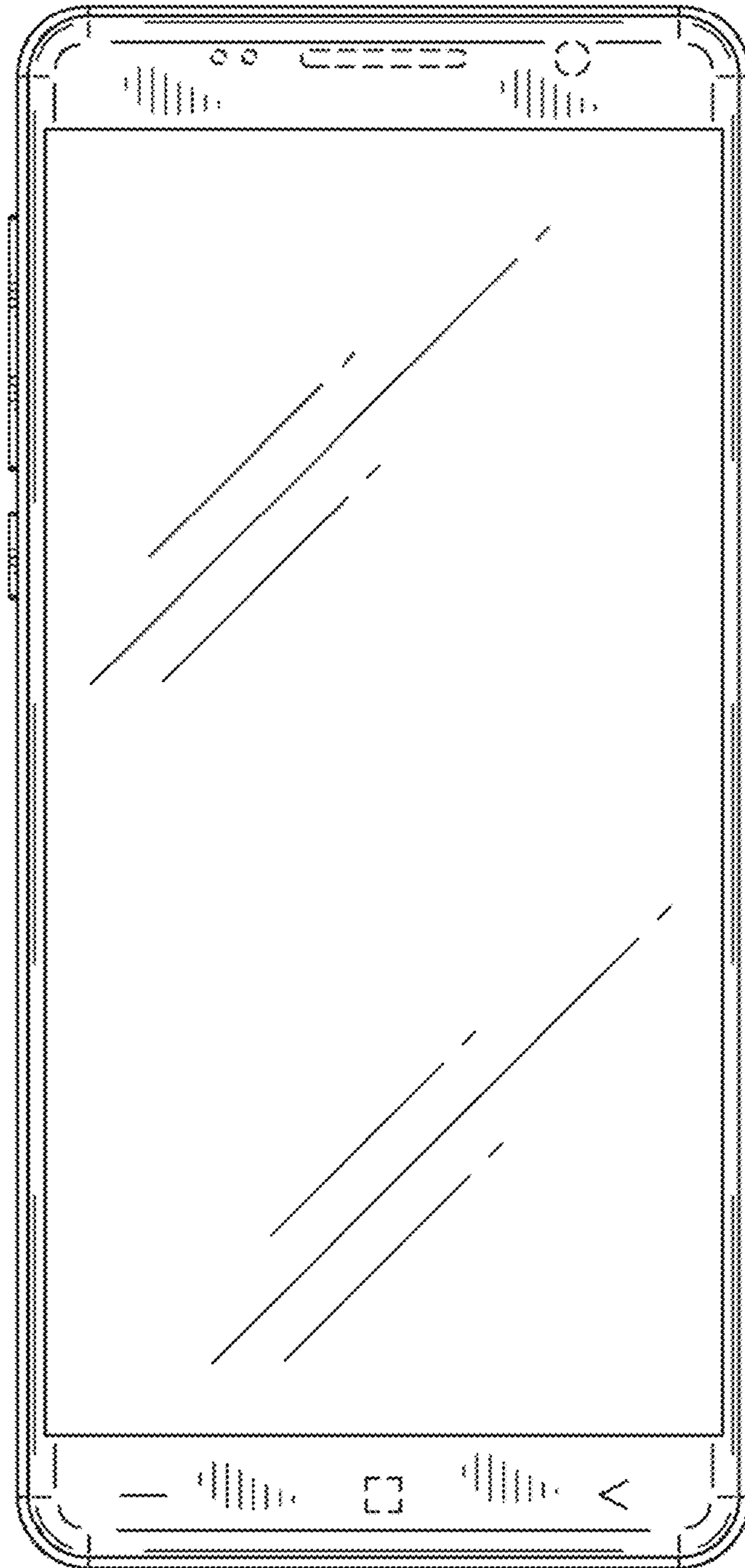


FIG. 7

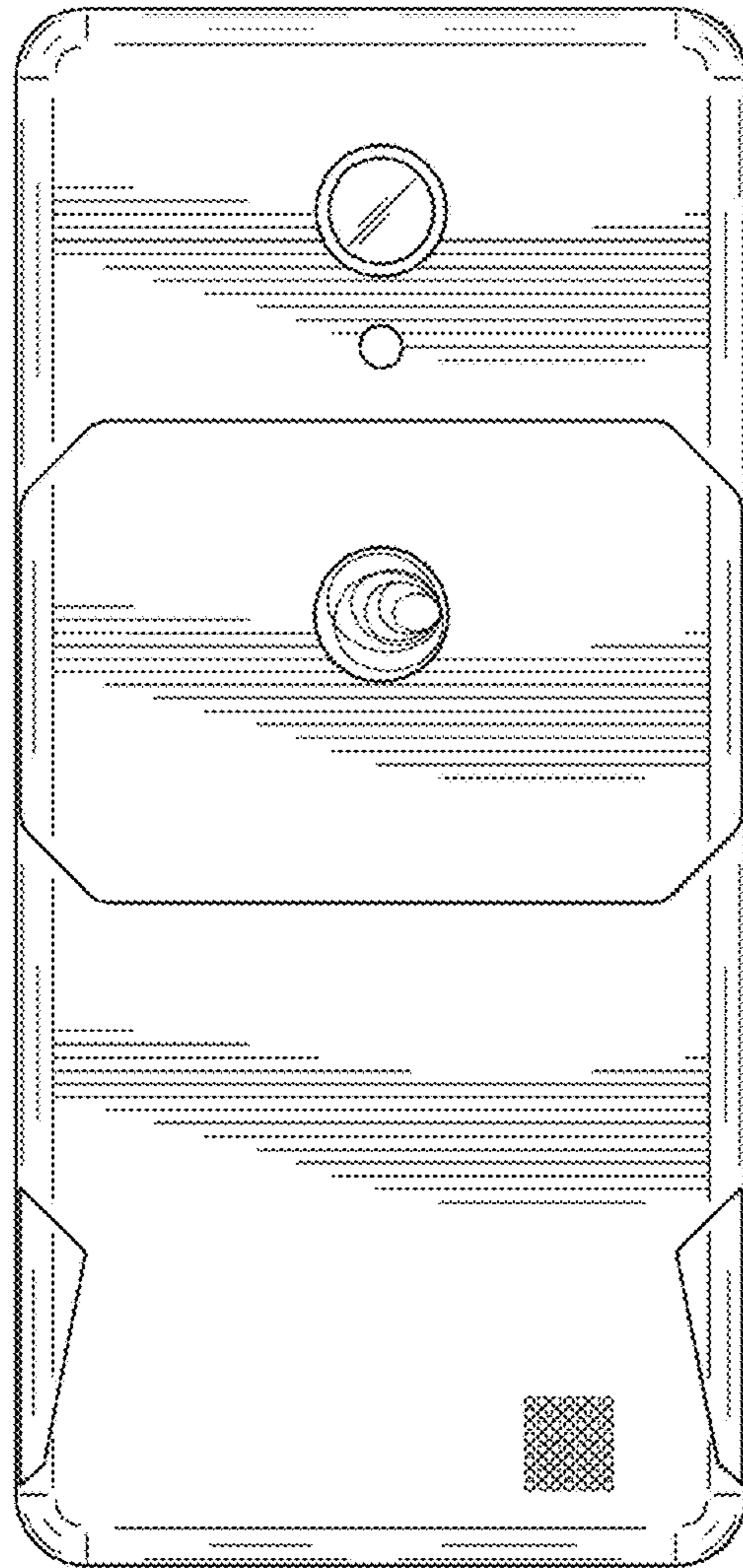


FIG. 8