



US00D788730S

(12) **United States Design Patent** (10) **Patent No.:** **US D788,730 S**  
**Amann et al.** (45) **Date of Patent:** **\*\* Jun. 6, 2017**

(54) **HANDSET**

(71) Applicant: **SpectraLink Corporation**, Boulder, CO (US)

(72) Inventors: **Keith Amann**, Westminster, CO (US);  
**Jeffrey D. Kelm**, Longmont, CO (US);  
**William R. Brennan**, Longmont, CO (US)

(73) Assignee: **SpectraLink Corporation**, Boulder, CO (US)

(\*\*) Term: **15 Years**

(21) Appl. No.: **29/532,656**

(22) Filed: **Jul. 9, 2015**

(51) **LOC (10) Cl.** ..... **14-03**

(52) **U.S. Cl.**  
USPC ..... **D14/138 G**

(58) **Field of Classification Search**  
USPC ..... D14/138 AA, 138 AB, 138 AD, 138 G,  
D14/138 R, 341, 345, 203.7, 248, 344,  
D14/496; D10/65; D27/186; D3/218,  
D3/247; D28/64.1; D6/300-302, 312;  
D19/26; D13/168; D21/329, 517  
CPC .... G06F 1/1652; G06F 1/1616; G06F 1/1618;  
G06F 1/1626; G06F 1/1624; H04M  
1/0222; H04M 1/0254; H04M 1/0256;  
(Continued)

(56) **References Cited**

**U.S. PATENT DOCUMENTS**

D583,342 S \* 12/2008 Kim ..... D14/138 G  
D608,327 S \* 1/2010 Cigliano ..... D14/138 AD  
(Continued)

**OTHER PUBLICATIONS**

Pivot by Spectralink Review | Durable business smartphone hands on with ITPortal.com, posted at youtube.com, earliest date

available Jan. 16, 2015, [online], acquired on Dec. 14, 2016. Available from Internet, <URL: <https://www.youtube.com/watch?v=CN07oq84k0I>>.\*

*Primary Examiner* — Cathron Brooks  
*Assistant Examiner* — Aula Soroush  
(74) *Attorney, Agent, or Firm* — Honigman Miller Schwartz and Cohn LLP

(57) **CLAIM**

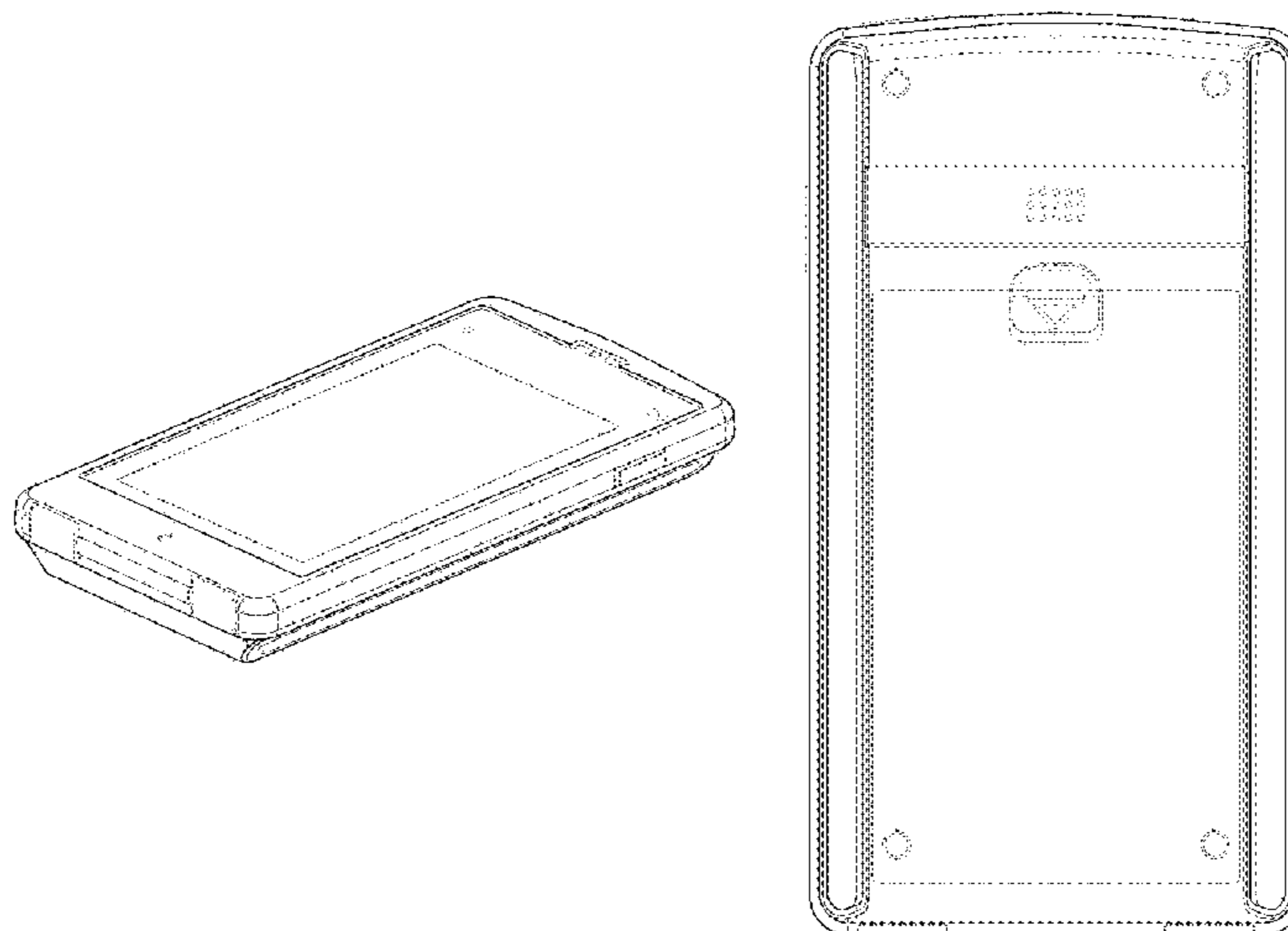
The ornamental design for a handset, as shown and described.

**DESCRIPTION**

FIG. 1 is a top perspective view of a handset, showing my new design;  
FIG. 2 is a bottom perspective view thereof;  
FIG. 3 is a top plan view thereof;  
FIG. 4 is a bottom plan view thereof;  
FIG. 5 is a right side view thereof;  
FIG. 6 is a left side view thereof;  
FIG. 7 is a front view thereof; and  
FIG. 8 is a rear view thereof.  
FIG. 9 is a top perspective view of another embodiment of the handset;  
FIG. 10 is a bottom perspective view thereof;  
FIG. 11 is a top plan view thereof;  
FIG. 12 is a bottom plan view thereof;  
FIG. 13 is a right side view thereof;  
FIG. 14 is a left side view thereof;  
FIG. 15 is a front view thereof; and,  
FIG. 16 is a rear view thereof.

The dashed lines shown in FIGS. 1-8 that are immediately adjacent to the solid lines represent the bounds of the claims. All other dashed lines, including the features within dashed line boundaries, the dashed lines on the front surface above the display screen, the display screen rectangle, and the triangular, circular, and rectangular features on the back surface, are directed to environment. The dashed lines form no part of the claimed design.

**1 Claim, 16 Drawing Sheets**



(58) **Field of Classification Search**

CPC ..... H04M 2250/22; G09F 9/301; H01L  
2251/5338

See application file for complete search history.

(56) **References Cited**

U.S. PATENT DOCUMENTS

D631,031 S *	1/2011	Chen .....	D14/138 G
D636,750 S *	4/2011	Cigliano .....	D14/138 AD
D654,049 S *	2/2012	Chung .....	D14/138 G
D707,644 S *	6/2014	Asano .....	D14/138 G
D723,494 S *	3/2015	Skafdrup .....	D14/138 G
D726,716 S *	4/2015	Green .....	D14/341
D738,342 S *	9/2015	Kitade .....	D14/138 G
D746,279 S *	12/2015	Bajwa .....	D14/341
D766,892 S *	9/2016	Bajwa .....	D14/341
D775,100 S *	12/2016	Teruyama .....	D14/138 G

\* cited by examiner

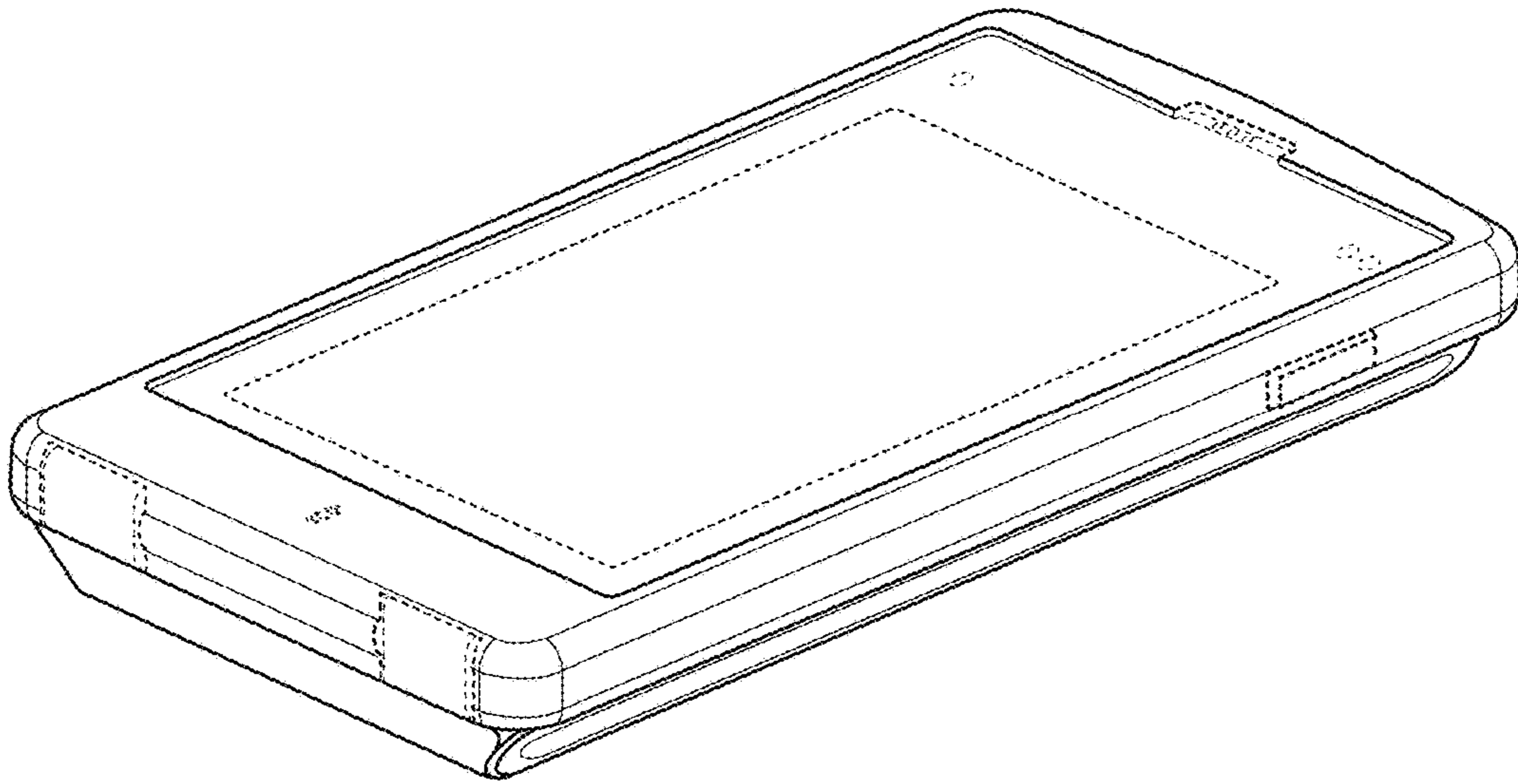


FIG. 1

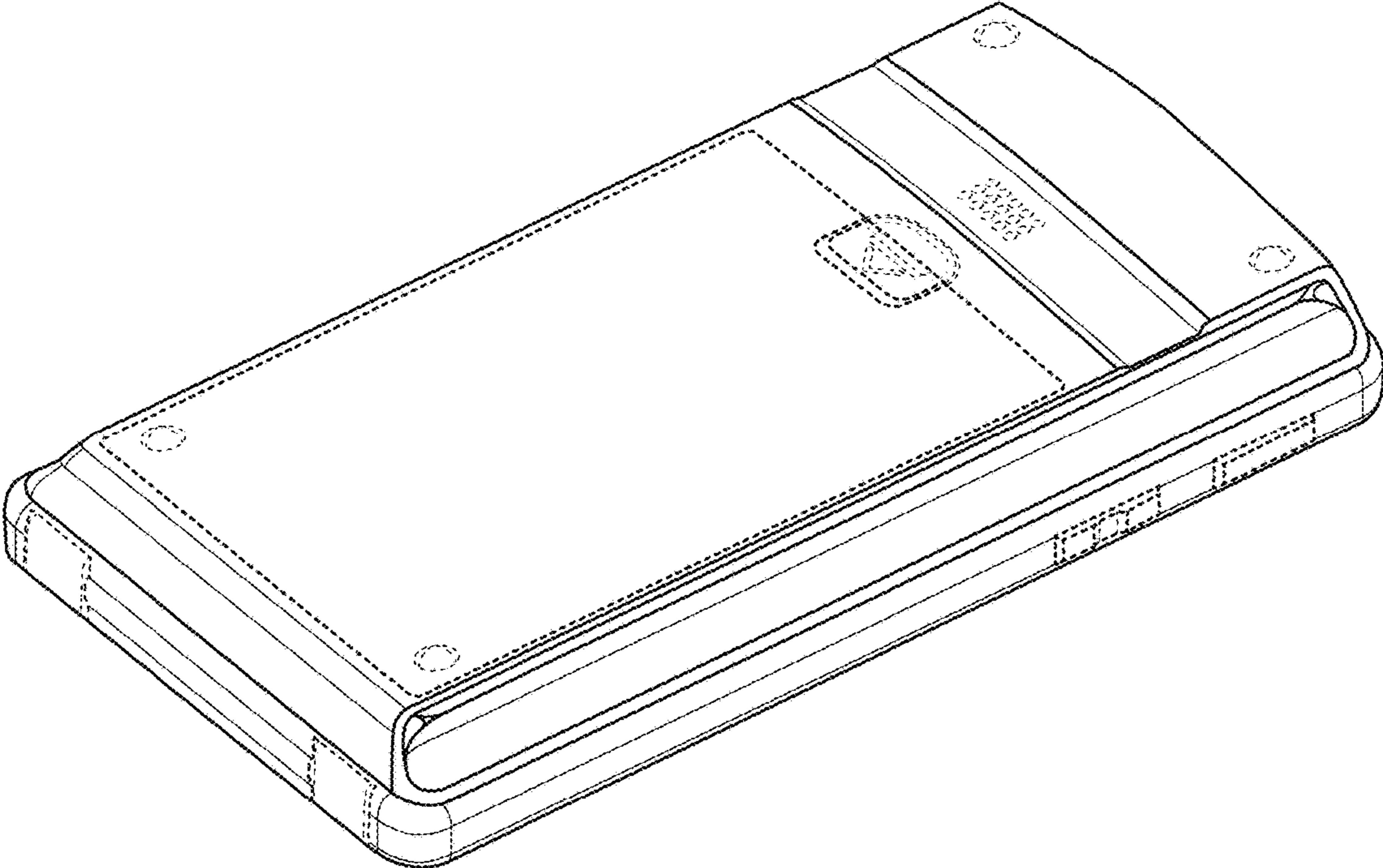


FIG. 2

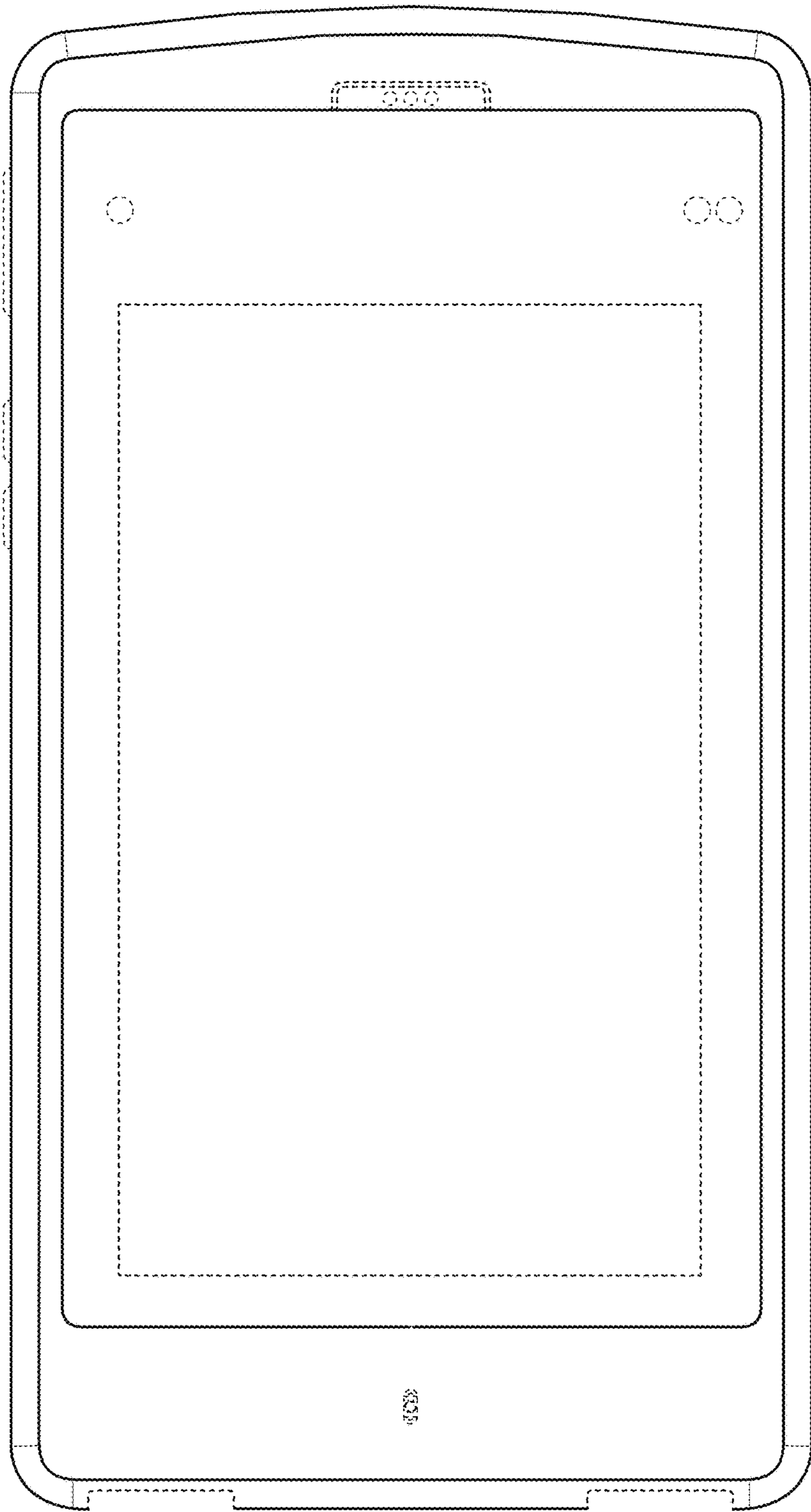


FIG. 3

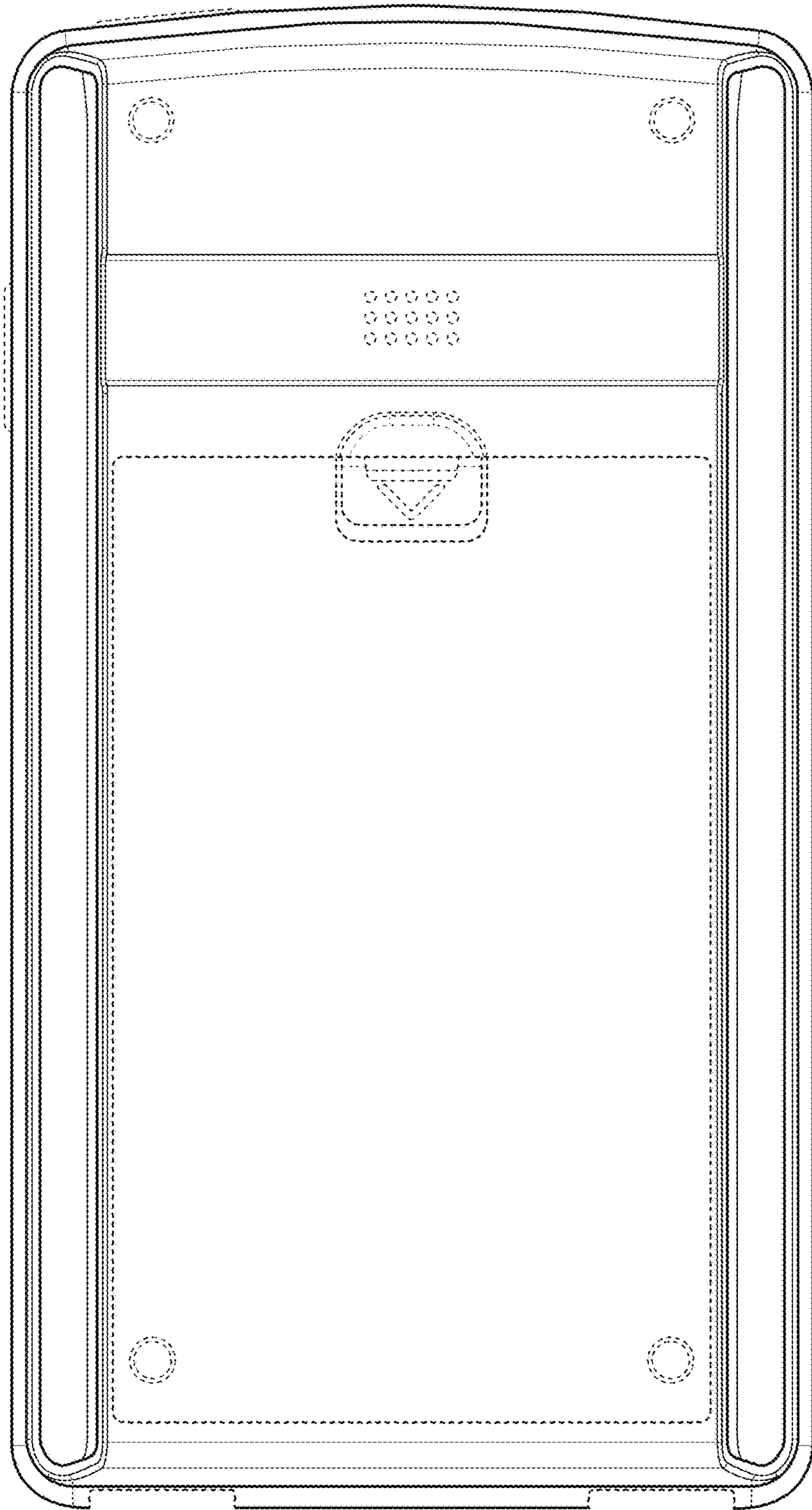


FIG. 4

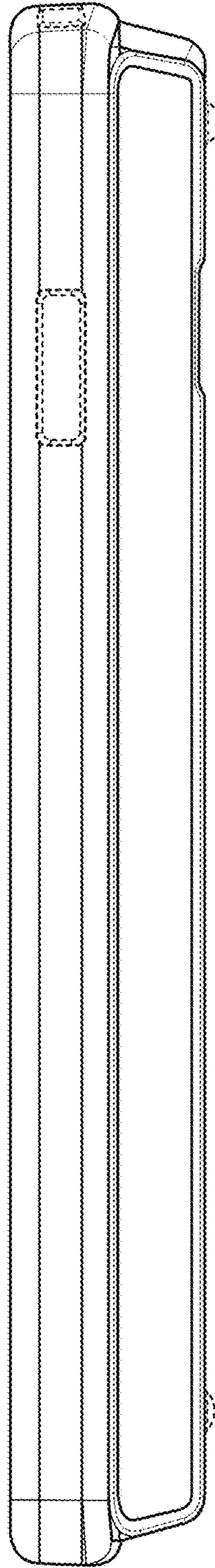


FIG. 5

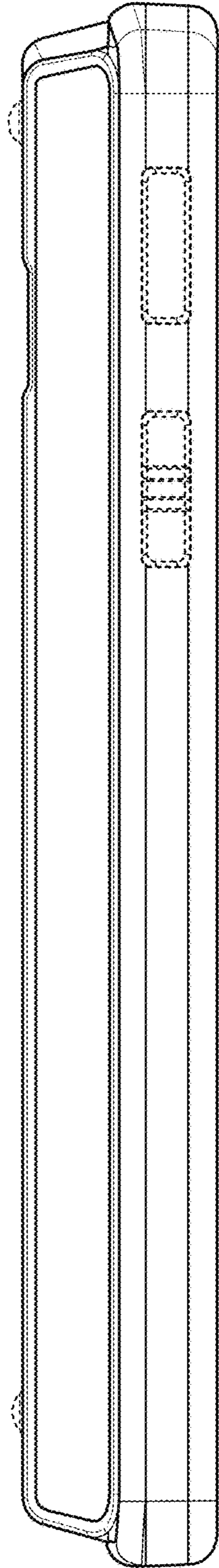


FIG. 6



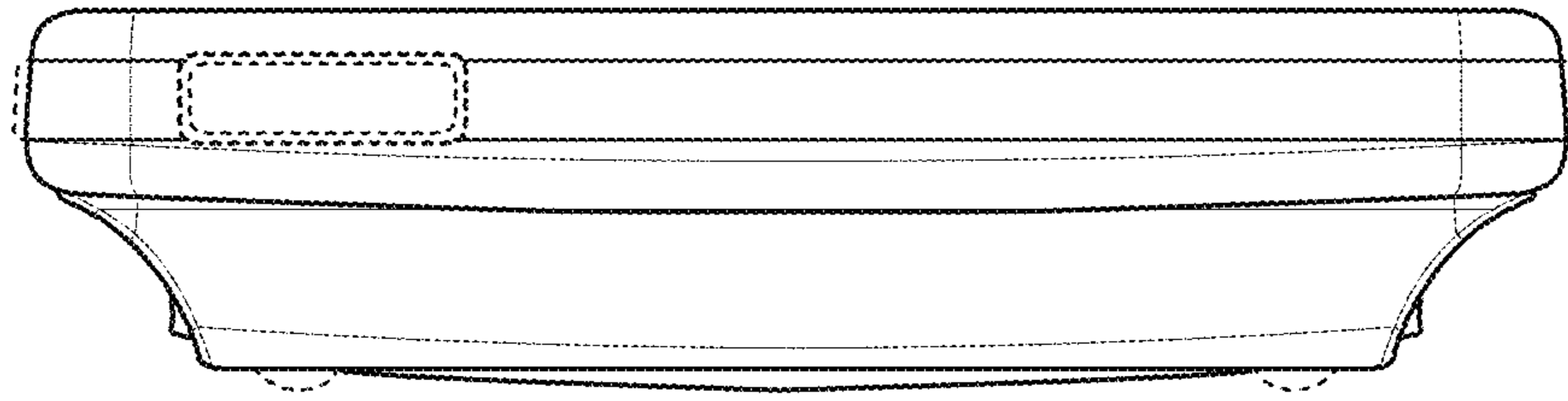


FIG. 7

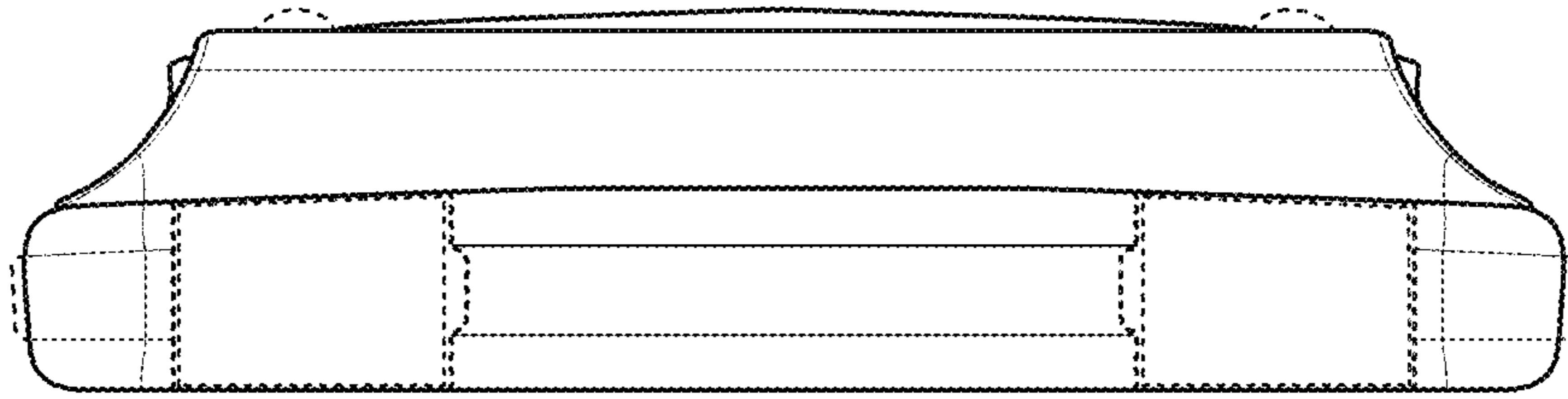


FIG. 8

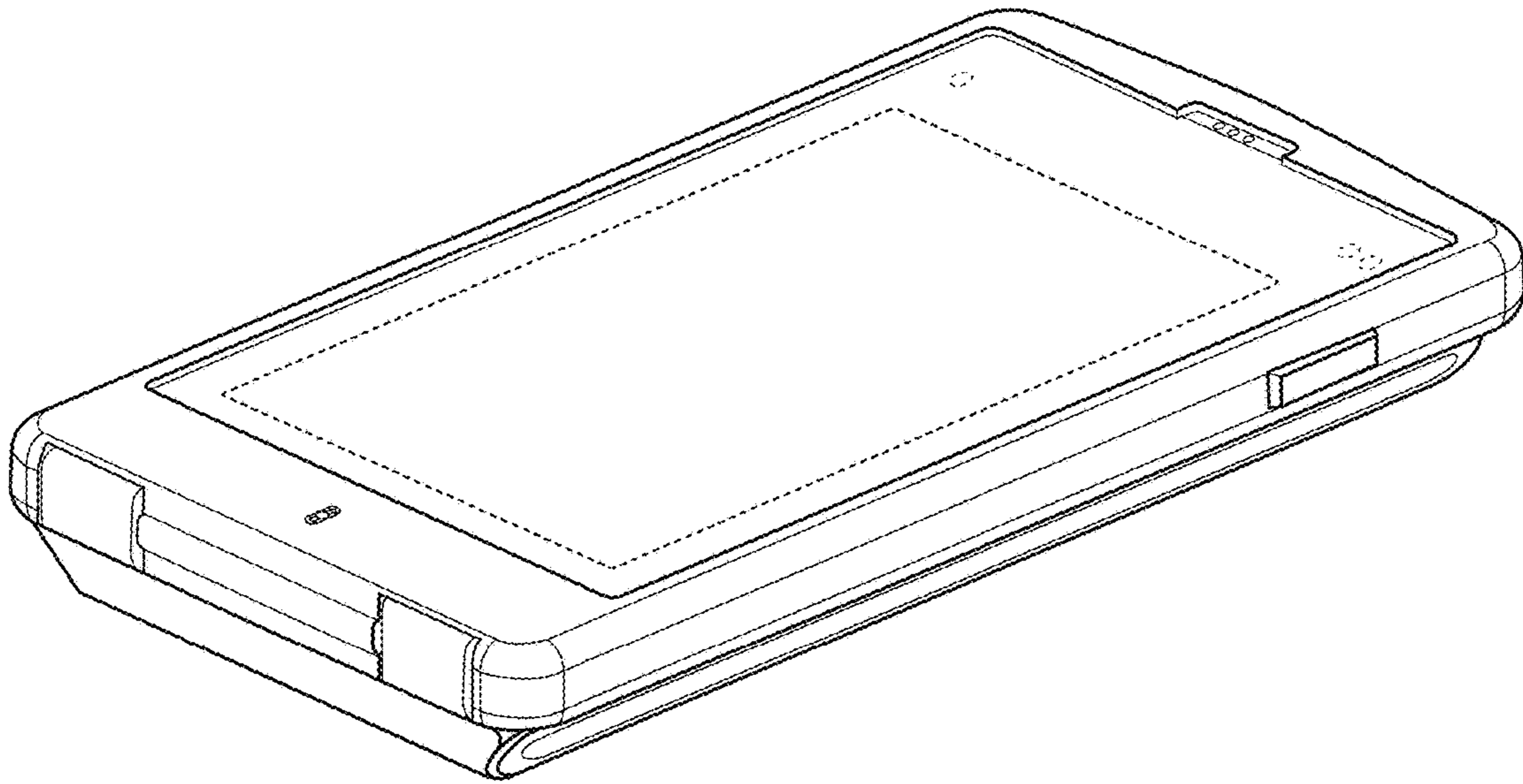


FIG. 9

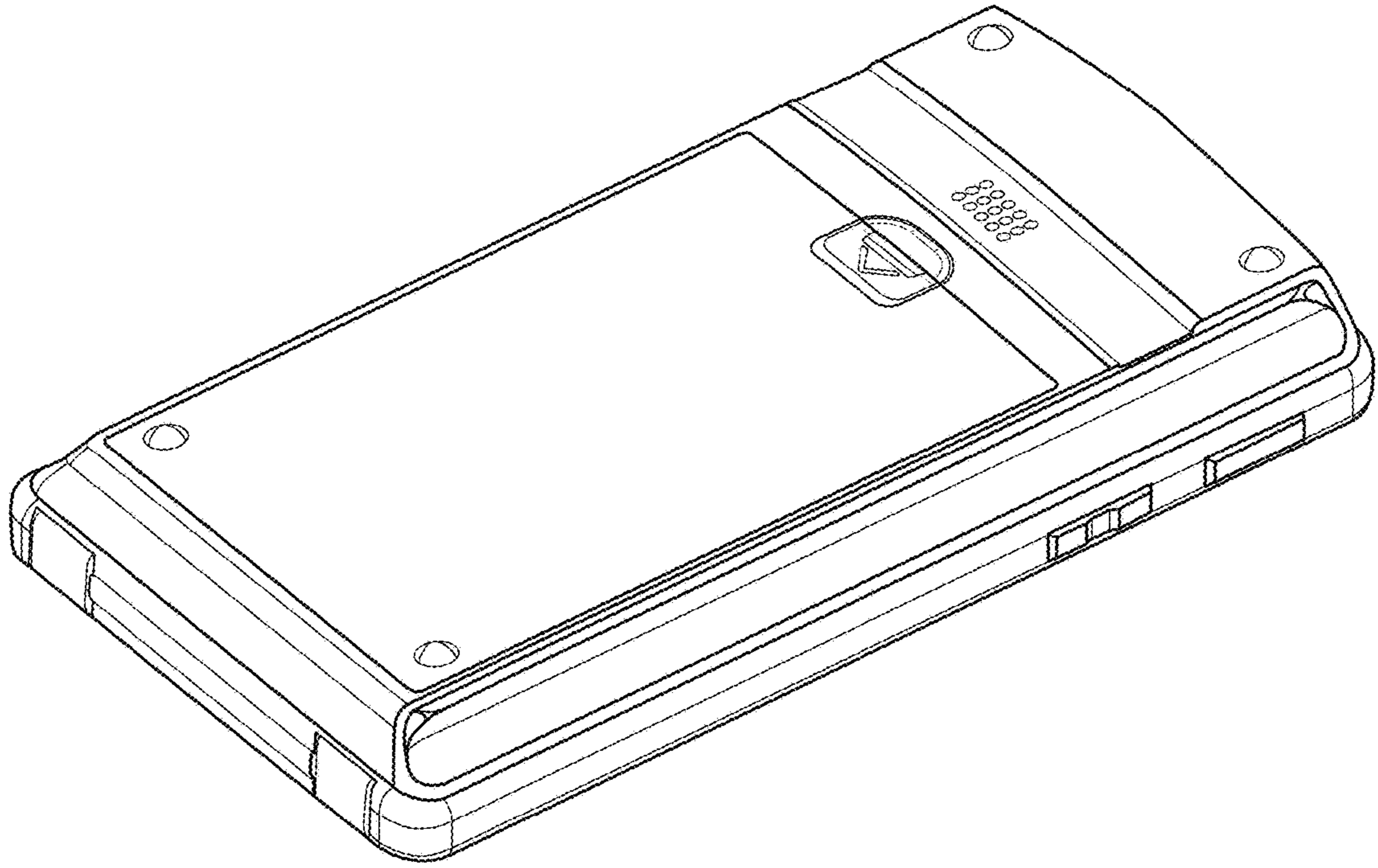


FIG. 10

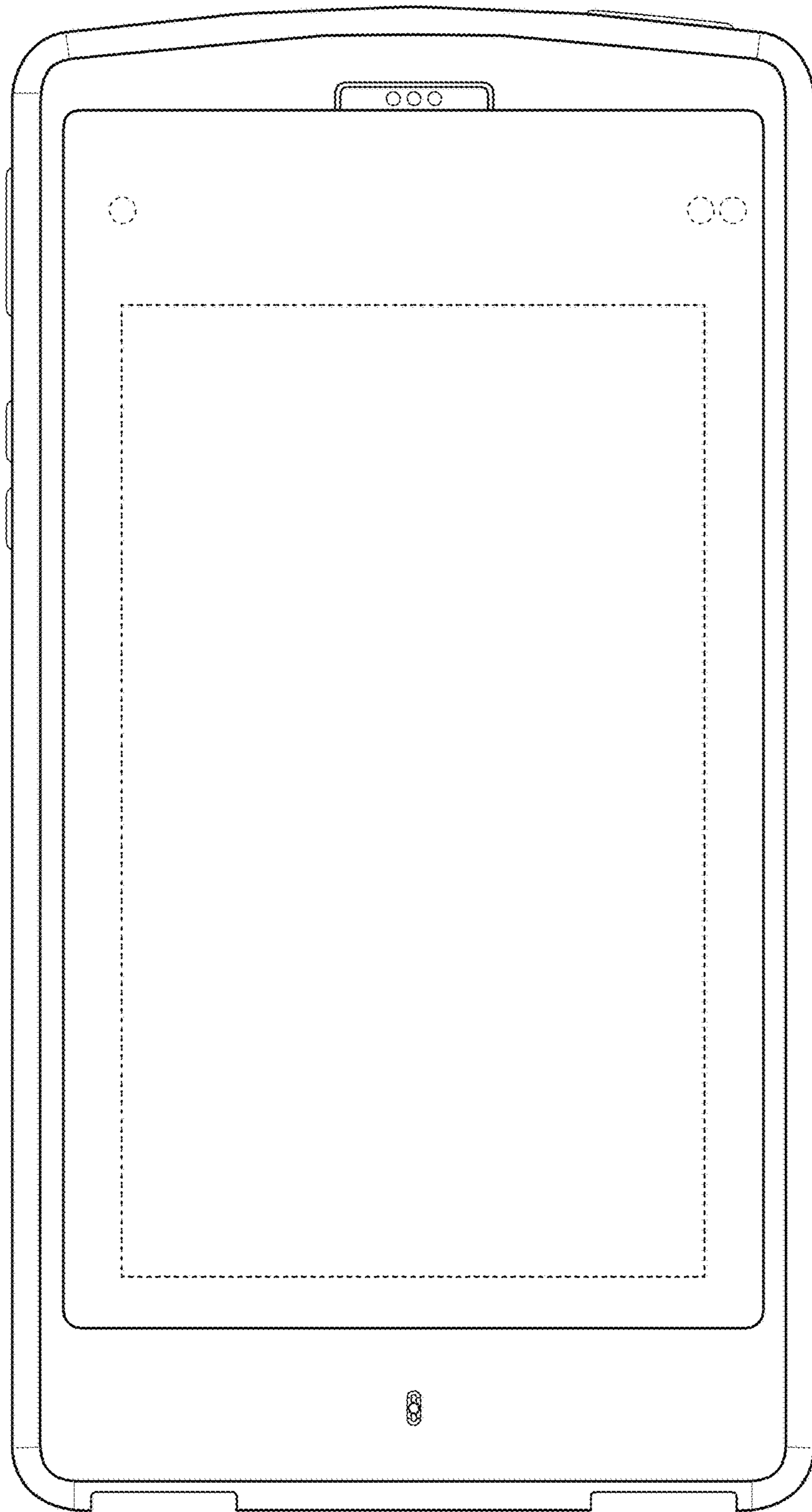


FIG. 11

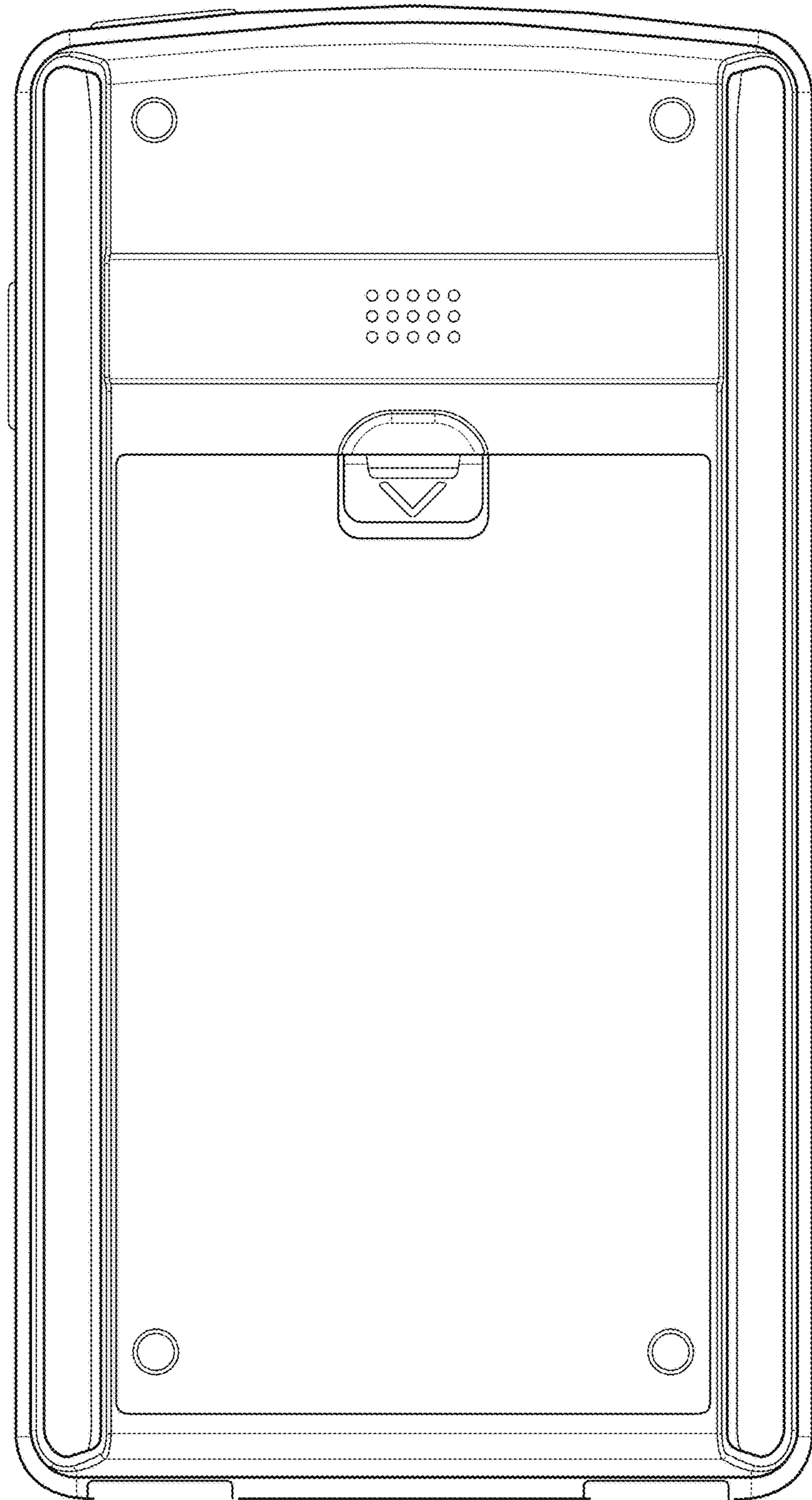


FIG. 12

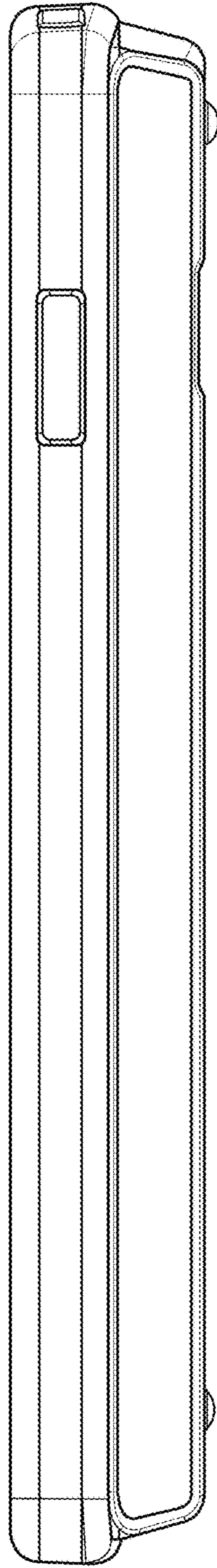


FIG. 13

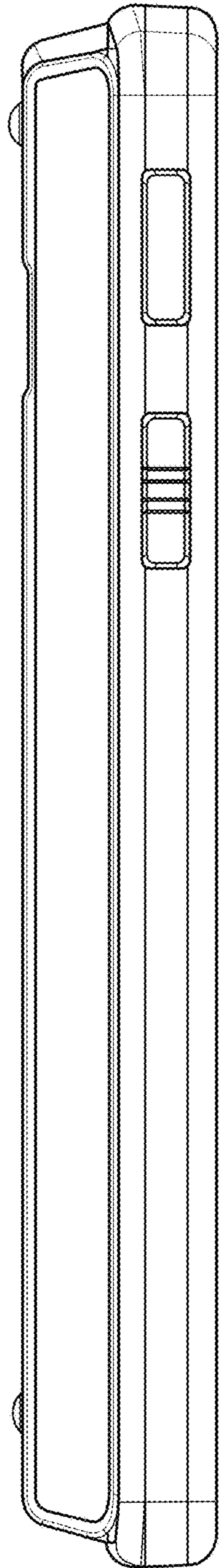


FIG. 14



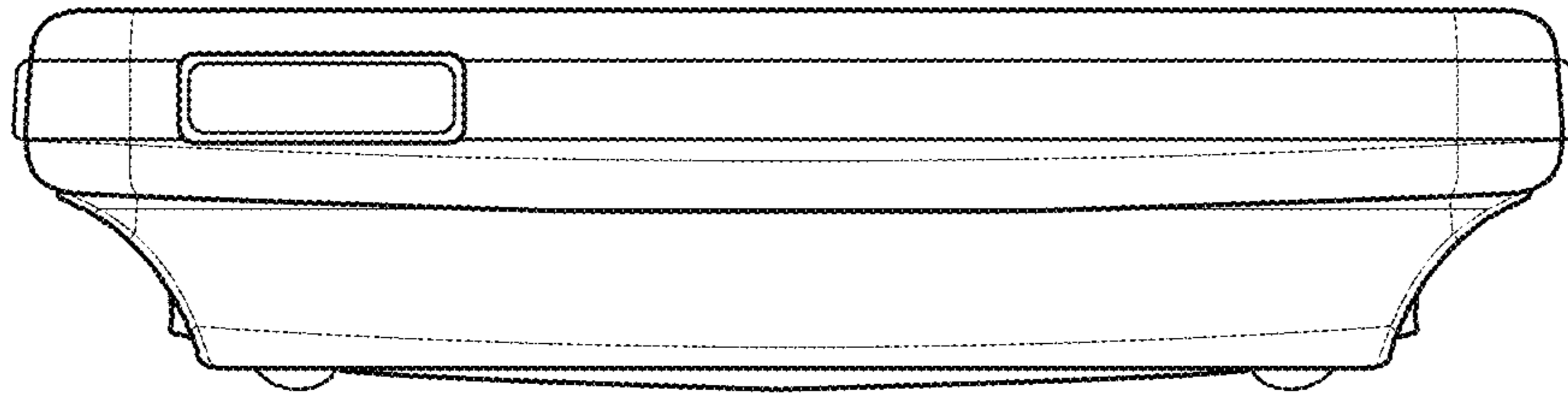


FIG. 15

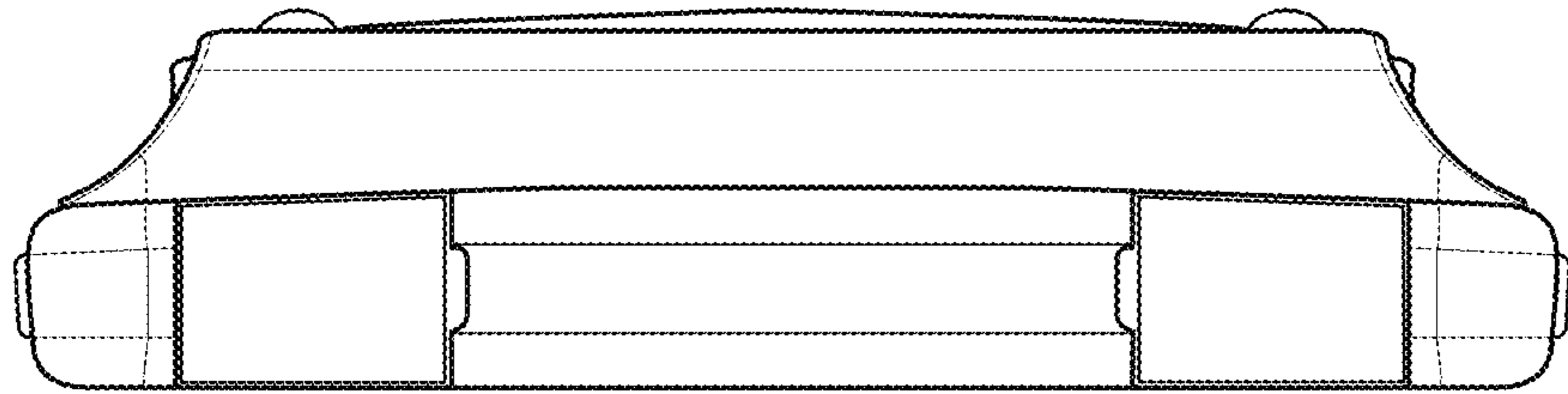


FIG. 16