



US00D788726S

(12) **United States Design Patent**  
**Lee et al.**

(10) **Patent No.:** **US D788,726 S**  
(45) **Date of Patent:** **\*\* Jun. 6, 2017**

- (54) **CELLULAR PHONE**
- (71) Applicant: **LG Electronics Inc.**, Seoul (KR)
- (72) Inventors: **Sanghyuck Lee**, Seoul (KR); **Seihyun Cho**, Seoul (KR)
- (73) Assignee: **LG Electronics Inc.**, Seoul (KR)
- (\*\*) Term: **14 Years**
- (21) Appl. No.: **29/509,444**
- (22) Filed: **Nov. 18, 2014**
- (30) **Foreign Application Priority Data**

- Jun. 9, 2014 (KR) ..... 30-2014-0028029
- (51) **LOC (10) Cl.** ..... **14-03**
- (52) **U.S. Cl.**  
USPC ..... **D14/138 AB**
- (58) **Field of Classification Search**  
USPC ..... D14/341-347, 137, 138 R, 138 AA,  
D14/138 AB, 138 C, 138 G, 203.1, 203.3,  
D14/203.4, 203.7, 129, 130, 147, 218,  
D14/247, 248, 332, 388, 389, 315-318,  
D14/420, 426, 429, 489, 492, 496;  
D10/50, 65, 104.1; D18/6; D21/329,  
D21/330; D6/308, 310  
CPC .... G06F 1/1613; G06F 1/1647; G06F 1/1641;  
G06F 3/04883; G06F 3/0486; G06F  
3/04847; G06F 3/04845; G06F 3/04817;  
G06F 3/0484; H04M 1/0279; H04M  
1/0281; H04M 1/0283; A63H 33/3016  
See application file for complete search history.

(56) **References Cited**  
U.S. PATENT DOCUMENTS

- 8,194,399 B2 \* 6/2012 Ashcraft ..... G06F 1/1626  
257/59
- D681,055 S \* 4/2013 Koh ..... D14/496
- D709,487 S \* 7/2014 Kang ..... D14/250

- D713,841 S \* 9/2014 Lim ..... D14/341
- 8,837,126 B2 \* 9/2014 Cho ..... G06F 1/1601  
361/679.01
- D719,540 S \* 12/2014 Lee ..... D14/138 AB  
(Continued)

OTHER PUBLICATIONS

*gizbot.com*, announced Apr. 11, 2013 [online], [site visited Jun. 8, 2016]. Available from Internet, URL: <<http://www.gizbot.com/mobile/lg-aims-samsung-first-launch-flexible-display-smartphon-011574.html>>.\*

*Primary Examiner* — Barbara Fox  
*Assistant Examiner* — Dana K Weiland  
(74) *Attorney, Agent, or Firm* — Morgan, Lewis & Bockius LLP

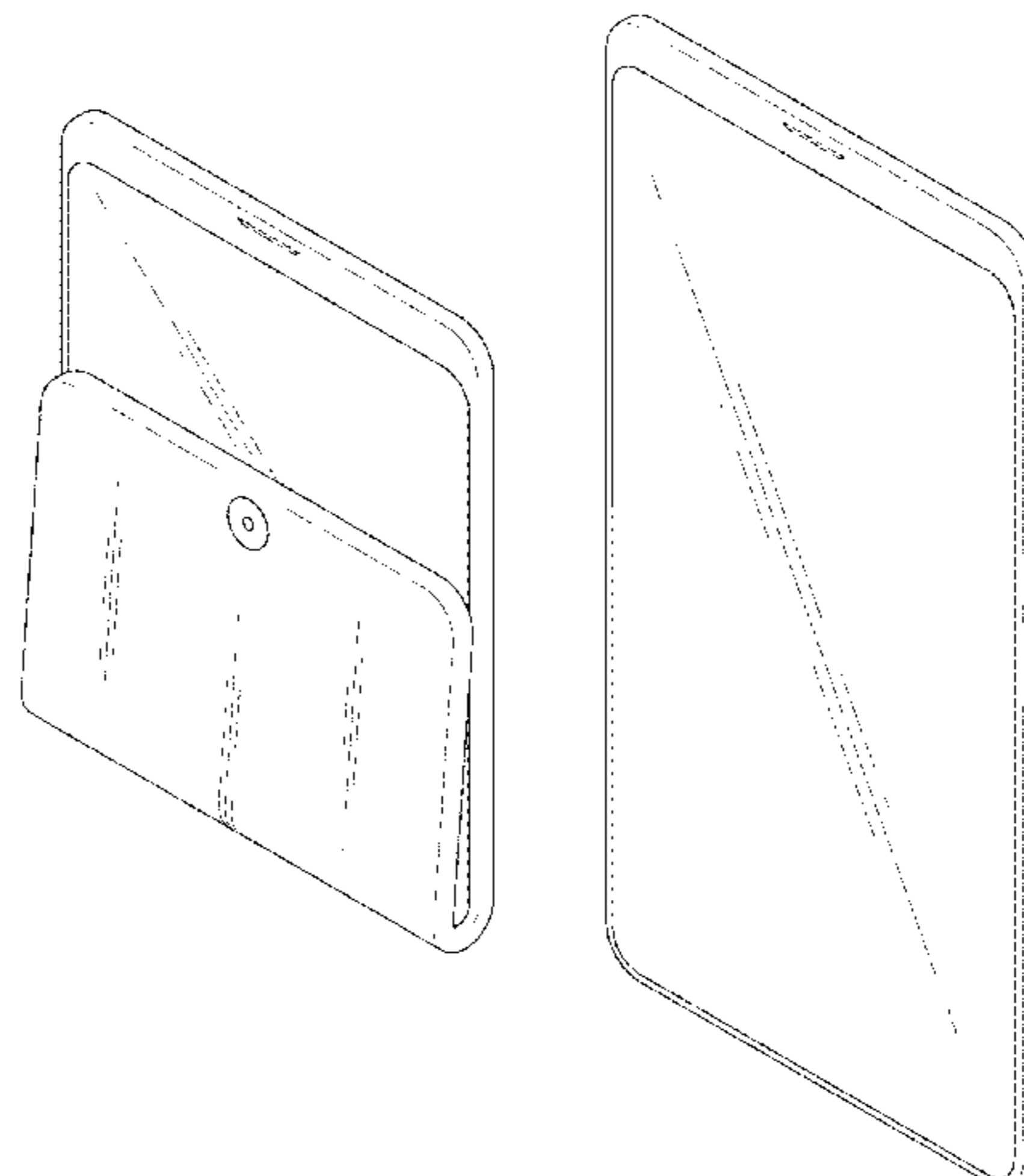
(57) **CLAIM**

The ornamental design for a cellular phone, as shown and described.

**DESCRIPTION**

FIG. 1 is a front, right side, perspective view of a cellular phone showing our new design;  
FIG. 2 is a front view thereof;  
FIG. 3 is a rear view thereof;  
FIG. 4 is a left side view thereof;  
FIG. 5 is a right side view thereof;  
FIG. 6 is a top view thereof;  
FIG. 7 is a bottom view thereof;  
FIG. 8 is a front, right side, perspective view of the cellular phone in an opened state;  
FIG. 9 is a front view in an opened state thereof;  
FIG. 10 is a rear view in an opened state thereof;  
FIG. 11 is a left side view in an opened state thereof;  
FIG. 12 is a right side view in an opened state thereof;  
FIG. 13 is a top view in an opened state thereof; and,  
FIG. 14 is a bottom view in an opened state thereof.  
The broken lines shown in the drawings illustrate portions of the cellular phone that form no part of the claimed design.

**1 Claim, 10 Drawing Sheets**



(56)

References Cited

U.S. PATENT DOCUMENTS

9,013,864	B2 *	4/2015	Griffin	.....	H04M 1/0216 16/382	2013/0265221	A1 *	10/2013	Lee	.....	G06F 3/01 345/156
9,069,521	B2 *	6/2015	Lee	.....	G06F 1/16	2013/0307816	A1 *	11/2013	Lee	.....	G06F 1/1652 345/174
9,122,319	B2 *	9/2015	Kwak	.....	G06F 3/0487	2014/0117844	A1 *	5/2014	Naijo	.....	H05B 33/04 313/511
9,173,287	B1 *	10/2015	Kim	.....	H05K 1/028	2014/0198036	A1 *	7/2014	Kim	.....	G06F 1/1652 345/156
D745,001	S *	12/2015	Cho	.....	D14/341	2014/0218321	A1 *	8/2014	Lee	.....	G06F 1/1652 345/173
D748,625	S *	2/2016	Takahashi	.....	D14/345	2014/0226275	A1 *	8/2014	Ko	.....	G06F 1/1626 361/679.27
D749,575	S *	2/2016	Park	.....	D14/203.4	2015/0055287	A1 *	2/2015	Seo	.....	G06F 1/1652 361/679.27
D749,576	S *	2/2016	Park	.....	D14/203.4	2015/0141074	A1 *	5/2015	Shim	.....	H04M 1/0216 455/556.1
9,250,701	B2 *	2/2016	Kim	.....	G06F 3/01	2015/0153778	A1 *	6/2015	Jung	.....	G06F 1/1677 345/156
D754,122	S *	4/2016	Oakley	.....	D14/336	2015/0338888	A1 *	11/2015	Kim	.....	G06F 1/1677 345/156
9,317,067	B2 *	4/2016	Choi	.....	G06F 1/1641	2015/0378557	A1 *	12/2015	Jeong	.....	G06F 3/0488 715/835
2010/0120470	A1 *	5/2010	Kim	.....	G06F 1/1615 455/566	2016/0014403	A1 *	1/2016	Stroetmann	.....	G06F 1/1641 348/53
2011/0134144	A1 *	6/2011	Moriwaki	.....	G09G 3/3208 345/660	2016/0034047	A1 *	2/2016	Lee	.....	G09G 5/373 345/156
2011/0241998	A1 *	10/2011	McKinney	.....	G06F 1/1616 345/168	2016/0155967	A1 *	6/2016	Lee	.....	G06F 3/0412 257/88
2013/0010405	A1 *	1/2013	Rothkopf	.....	H04M 1/0216 361/679.01						
2013/0070431	A1 *	3/2013	Fukuma	.....	G06F 1/1652 361/749						
2013/0178248	A1 *	7/2013	Kim	.....	H04M 1/0268 455/566						
2013/0216740	A1 *	8/2013	Russell-Clarke	.....	B23K 26/38 428/33						
2013/0258565	A1 *	10/2013	Nishi	.....	H05K 7/14 361/679.01						

\* cited by examiner

FIG. 1

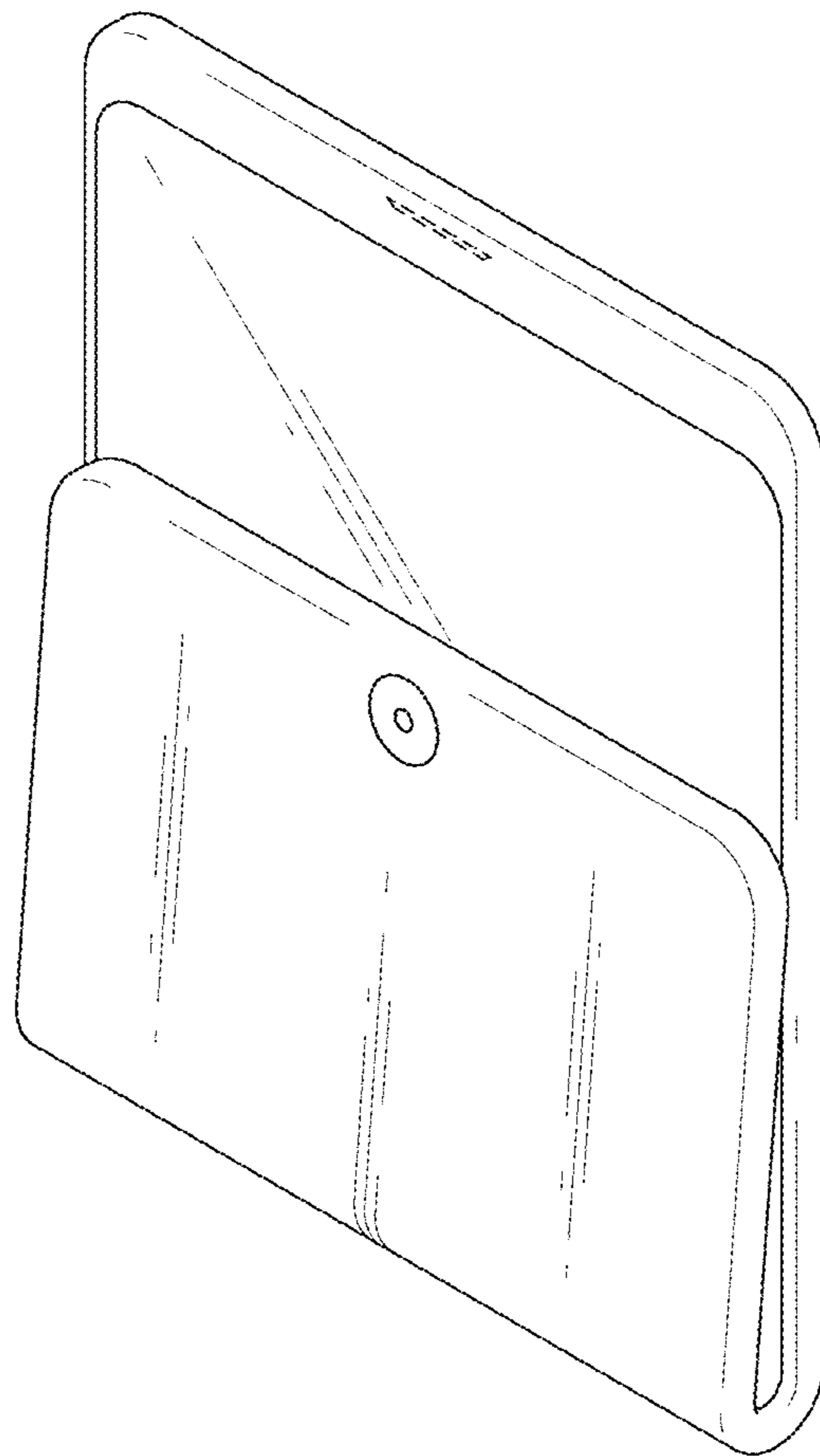


FIG. 2

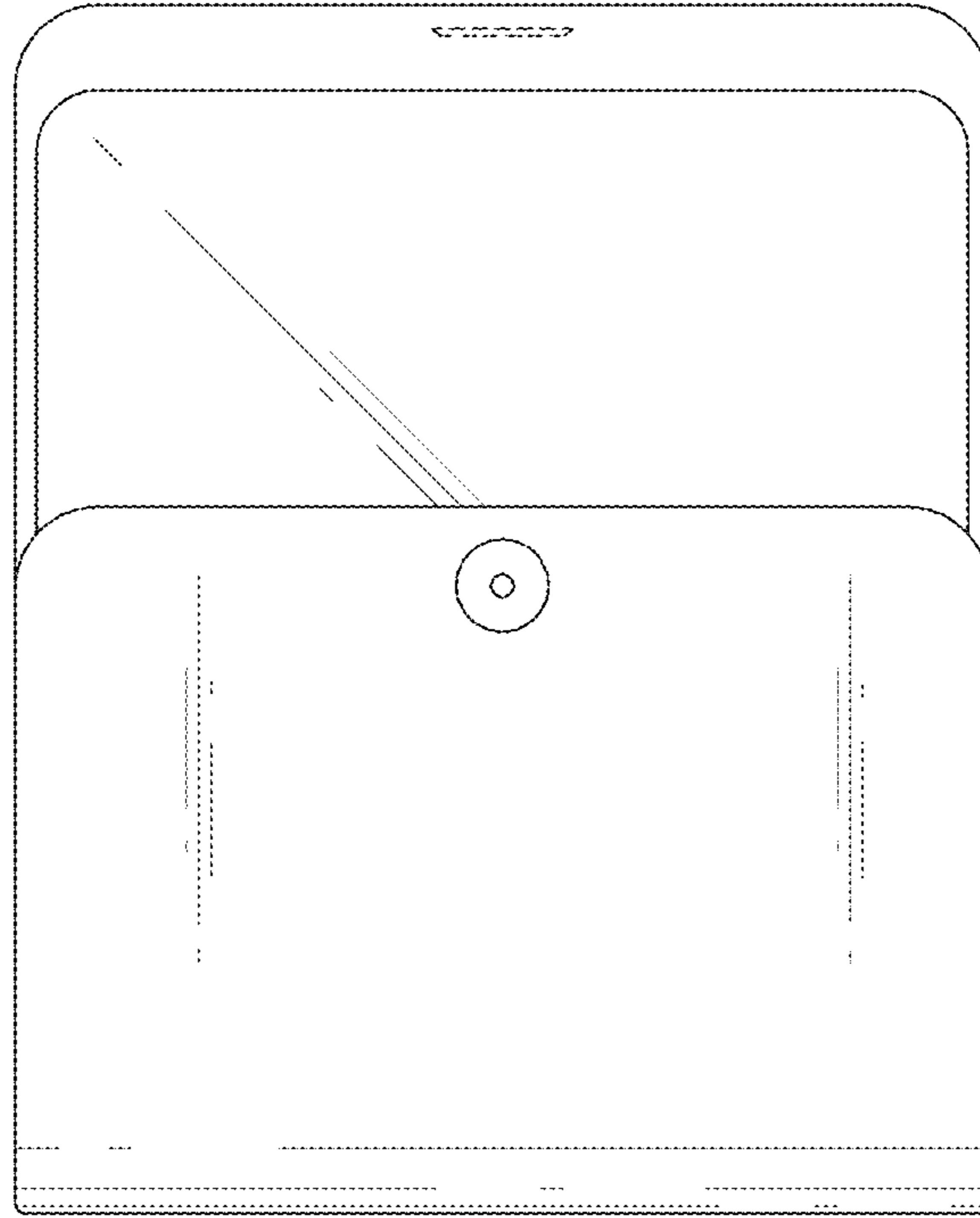


FIG. 3

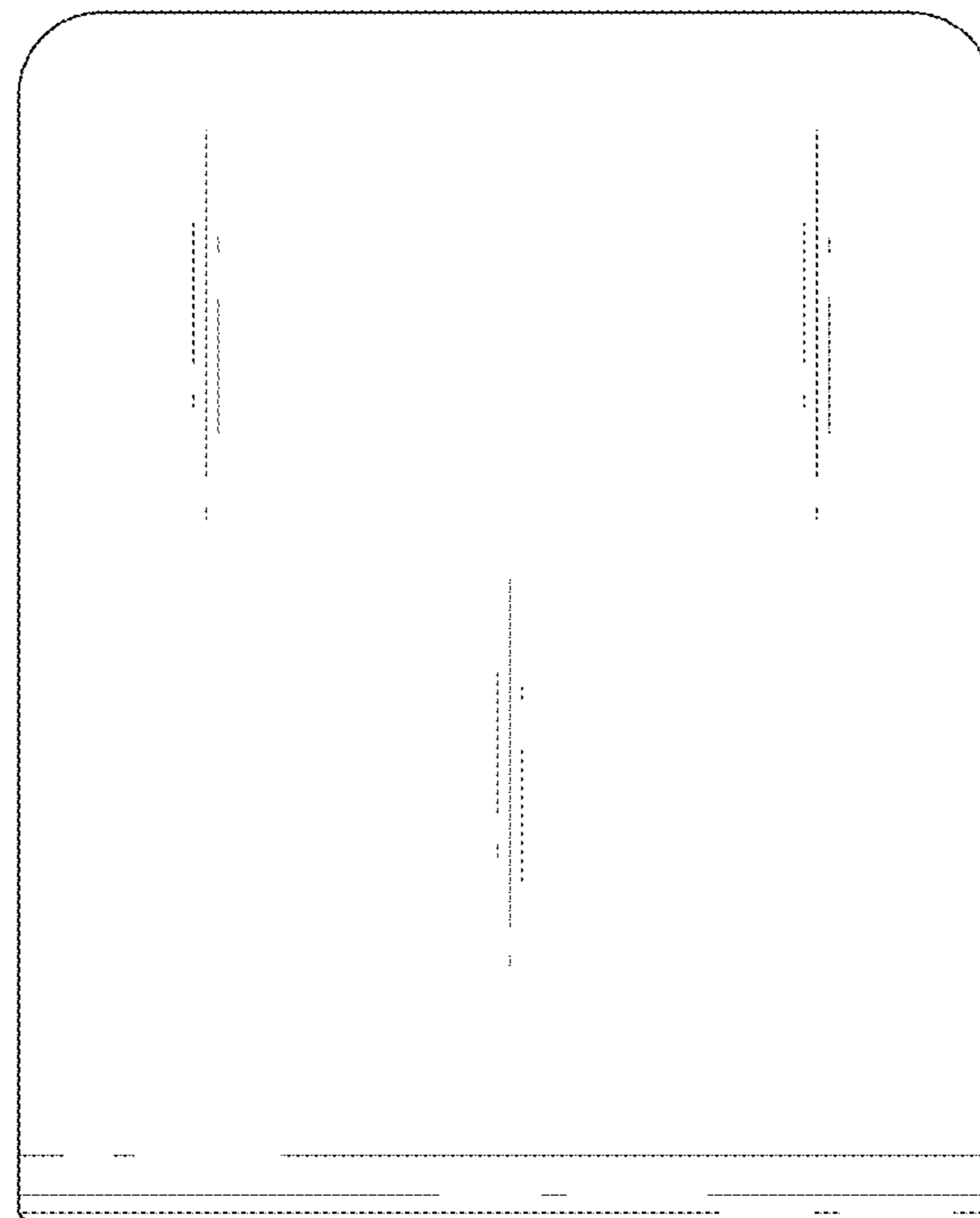


FIG. 4

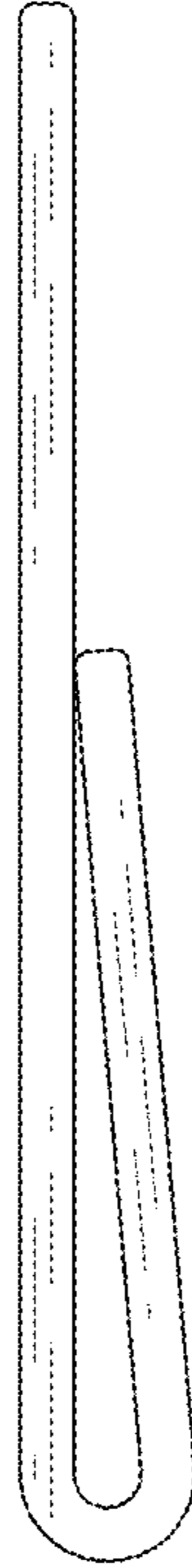


FIG. 5

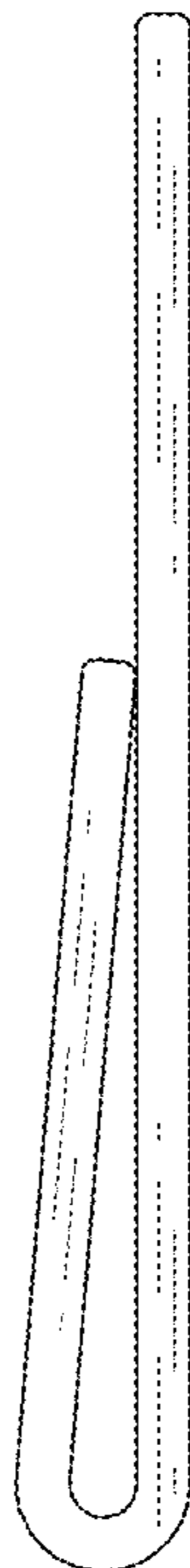


FIG. 6

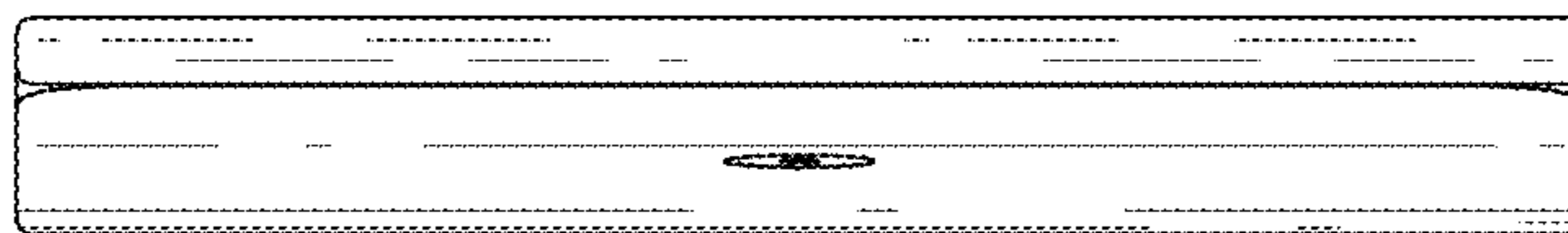


FIG. 7

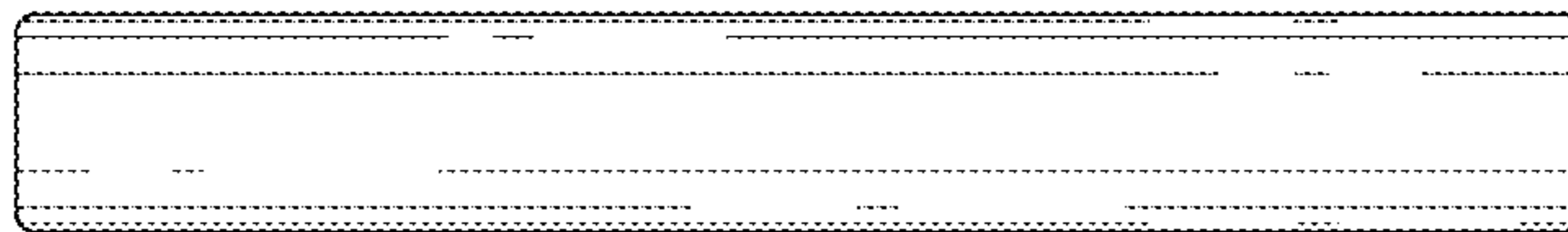


FIG. 8

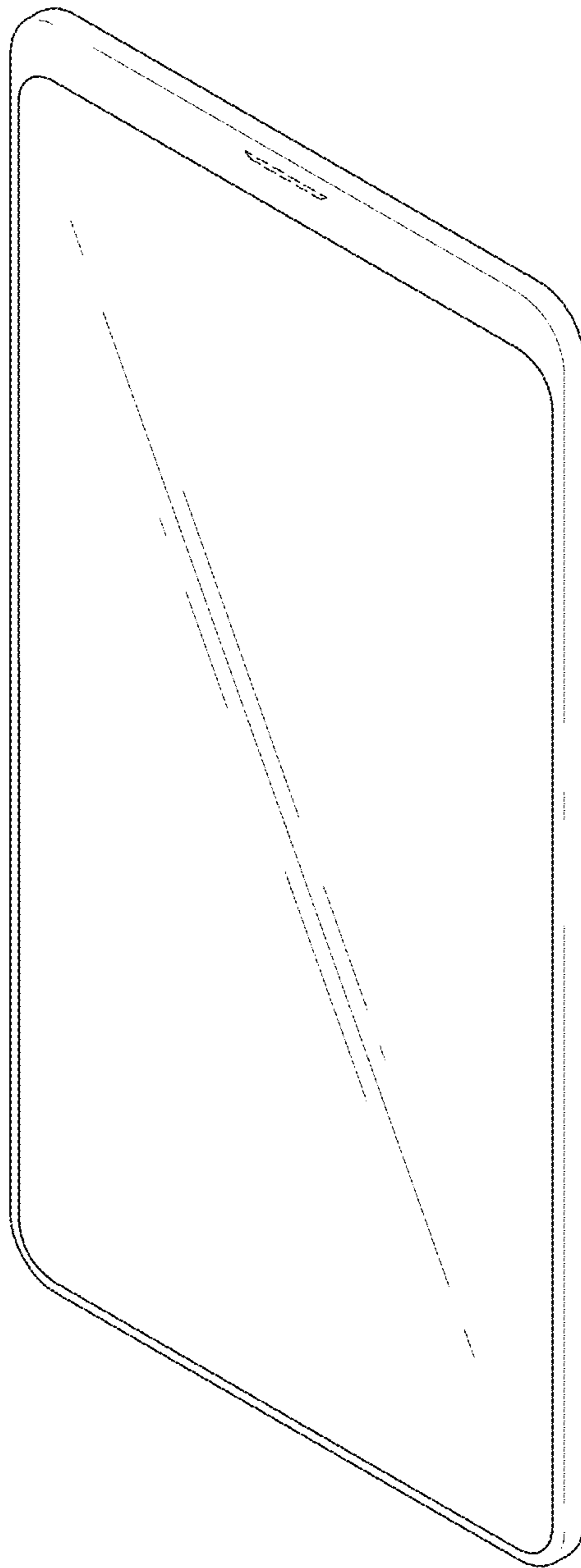




FIG. 9

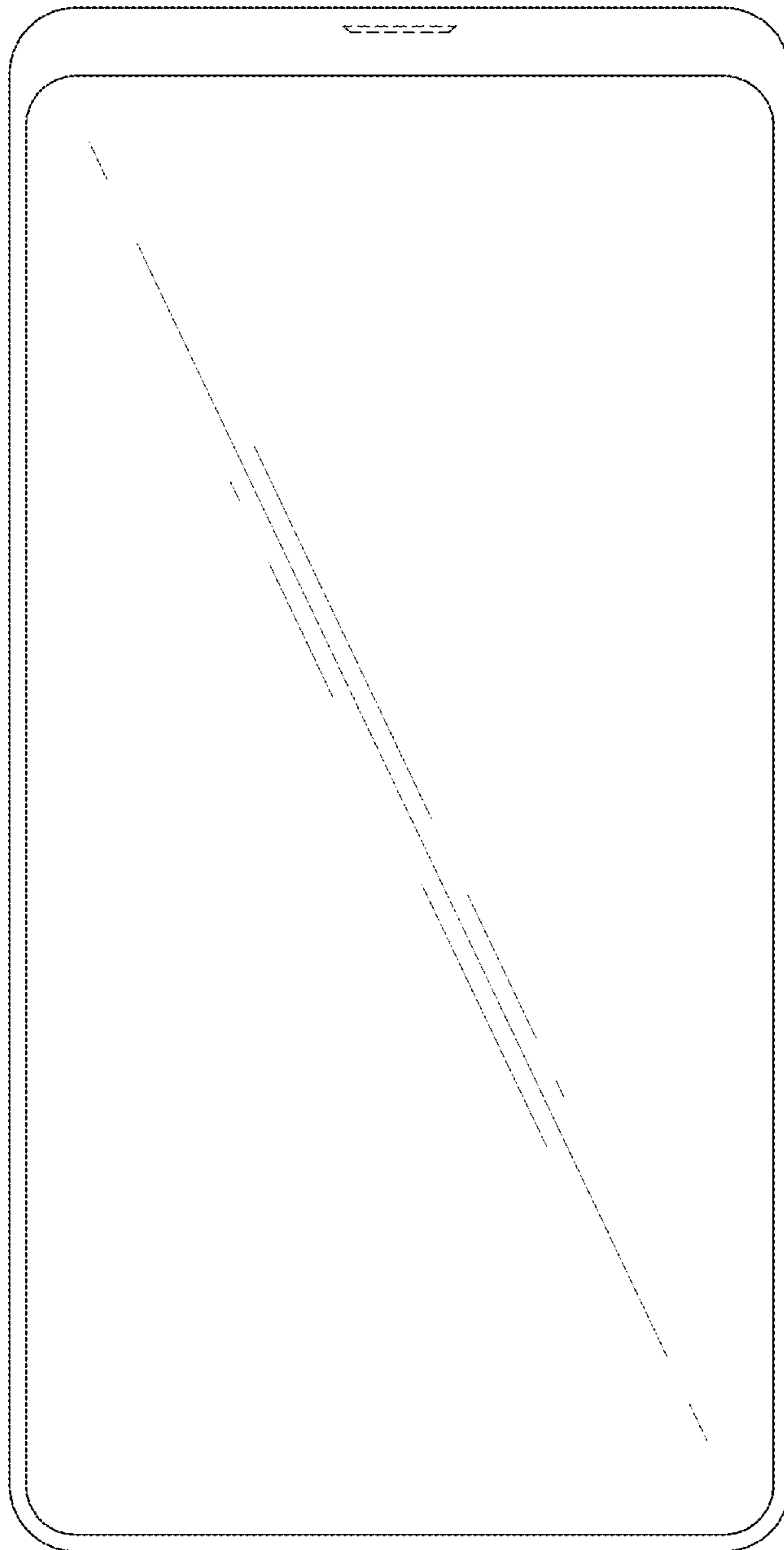




FIG. 10

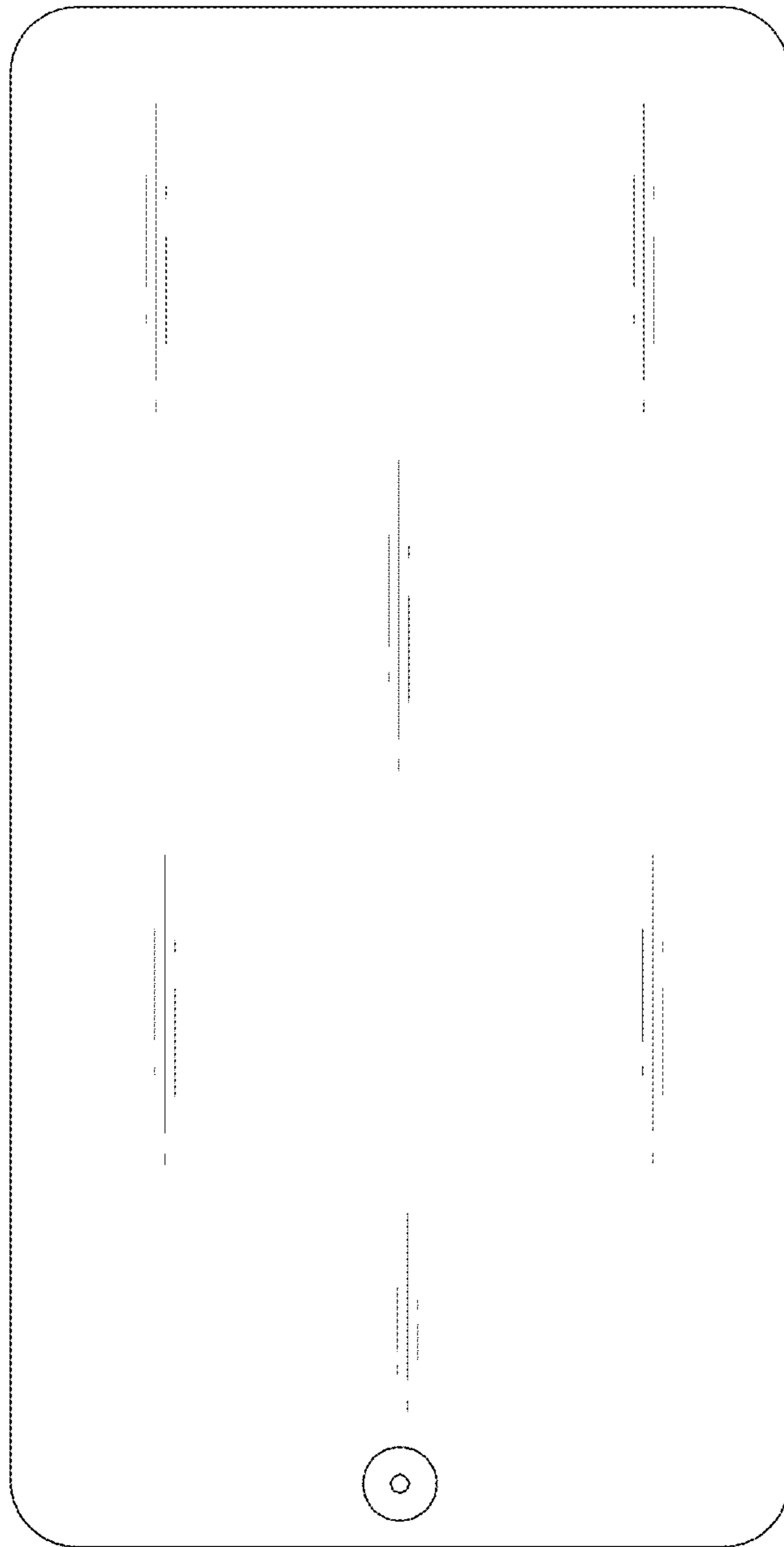


FIG. 11



FIG. 12

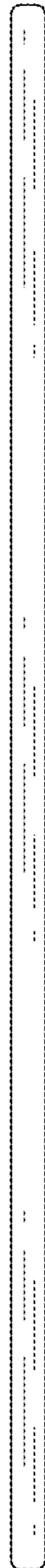


FIG. 13



FIG. 14

