



US00D788720S

(12) **United States Design Patent** (10) **Patent No.:** **US D788,720 S**
Akiyama et al. (45) **Date of Patent:** **** Jun. 6, 2017**

(54) **LIGHT-EMITTING DIODE**

(56) **References Cited**

(71) Applicants: **CITIZEN ELECTRONICS CO., LTD.**, Yamanashi-ken (JP); **CITIZEN WATCH CO., LTD.**, Tokyo (JP)

U.S. PATENT DOCUMENTS

(72) Inventors: **Takashi Akiyama**, Saitama-ken (JP); **Shigehisa Watanabe**, Yamanashi-ken (JP); **Yuki Ochiai**, Yamanashi-ken (JP)

D618,635	S	6/2010	Imai	
D658,603	S	5/2012	Egawa	
D660,812	S	5/2012	Sasano	
D669,041	S	10/2012	Imai	
D683,708	S	6/2013	Sasano	
D714,236	S	9/2014	Watanabe	
D727,860	S *	4/2015	Watanabe	D13/180
9,046,226	B2	6/2015	Shimozawa	
9,130,140	B2	9/2015	Tsuchiya	
9,231,023	B2	1/2016	Agatani	
D762,182	S *	7/2016	Akiyama	D13/180
D766,196	S *	9/2016	Akiyama	D13/180
2013/0193462	A1	8/2013	Ishizaki	

(73) Assignees: **CITIZEN ELECTRONICS CO., LTD.**, Yamanashi-Ken (JP); **CITIZEN WATCH CO., LTD.**, Tokyo (JP)

(**) Term: **15 Years**

* cited by examiner

(21) Appl. No.: **29/563,535**

Primary Examiner — Selina Sikder

(22) Filed: **May 5, 2016**

(74) *Attorney, Agent, or Firm* — Wenderoth, Lind & Ponack, L.L.P.

Related U.S. Application Data

(57) **CLAIM**

(62) Division of application No. 29/504,427, filed on Oct. 6, 2014, now Pat. No. Des. 762,182.

The ornamental design for a light-emitting diode, as shown and described.

(51) **LOC (10) Cl.** **13-03**

DESCRIPTION

(52) **U.S. Cl.**
USPC **D13/180**

(58) **Field of Classification Search**
USPC D13/180; D26/1
CPC ... H01L 25/167; H01L 25/0753; H01L 27/15;
H01L 27/156; H01L 31/02; H01L 33/00;
H01L 33/04; H01L 33/08; H01L 33/10;
H01L 33/20; H01L 33/38; H01L 33/42;
H01L 33/4862; H01L 33/483; H01L
33/486

FIG. 1 is a top perspective view of a light-emitting diode; FIG. 2 is a bottom perspective view thereof; FIG. 3 is a front view thereof, a rear view being identical to FIG. 3; FIG. 4 is a top plan view thereof; FIG. 5 is a bottom plan view thereof; and, FIG. 6 is a left side view thereof, a right side view being identical to FIG. 6.

The broken lines shown herein are for illustrative purpose only and form no part of the claimed design.

See application file for complete search history.

1 Claim, 3 Drawing Sheets

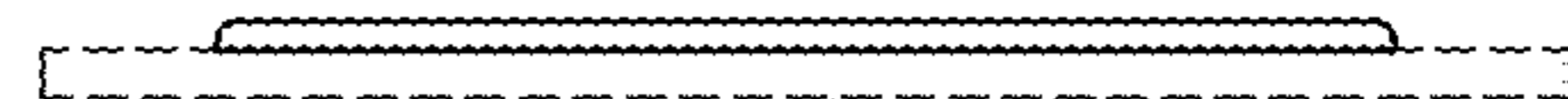
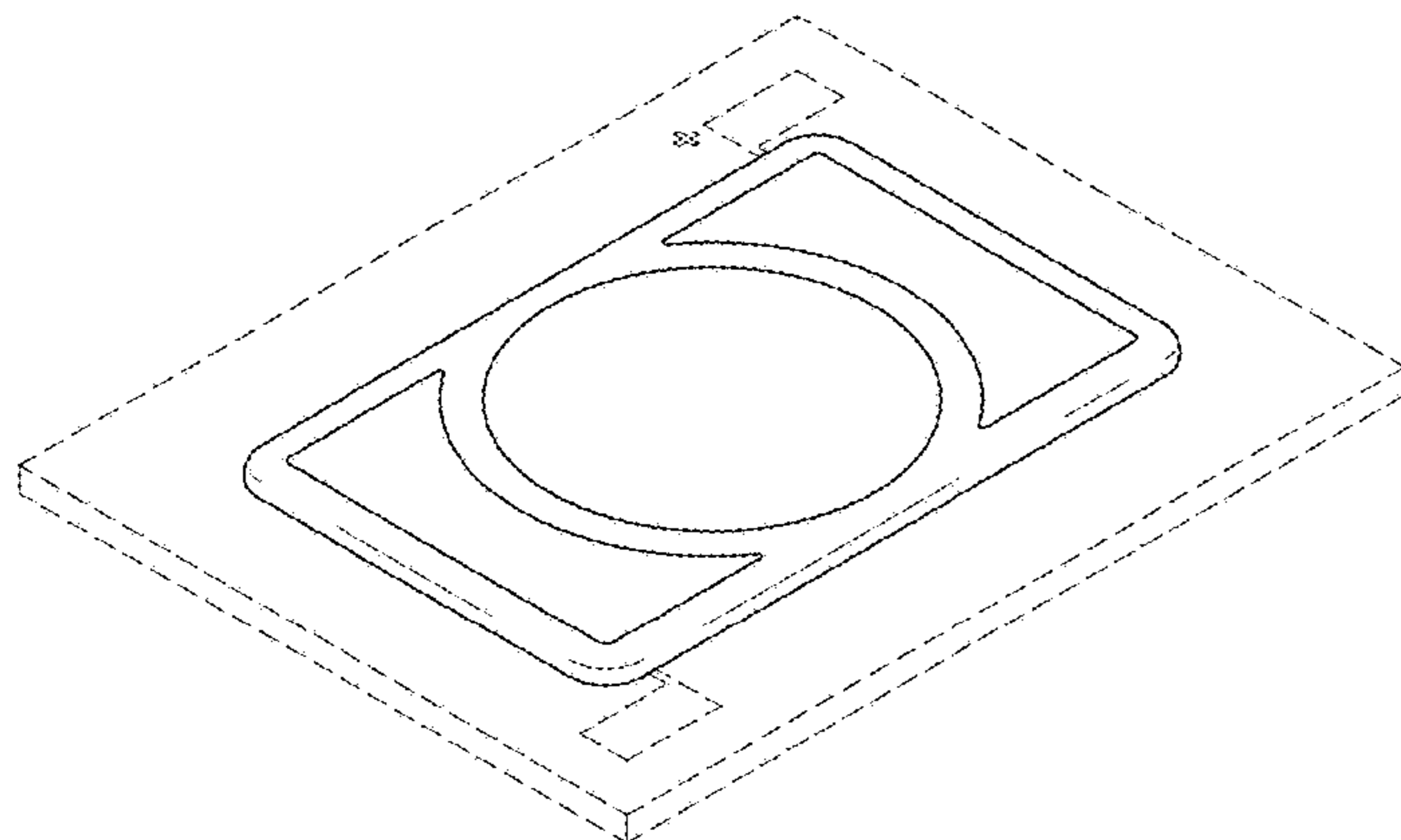


Fig. 1

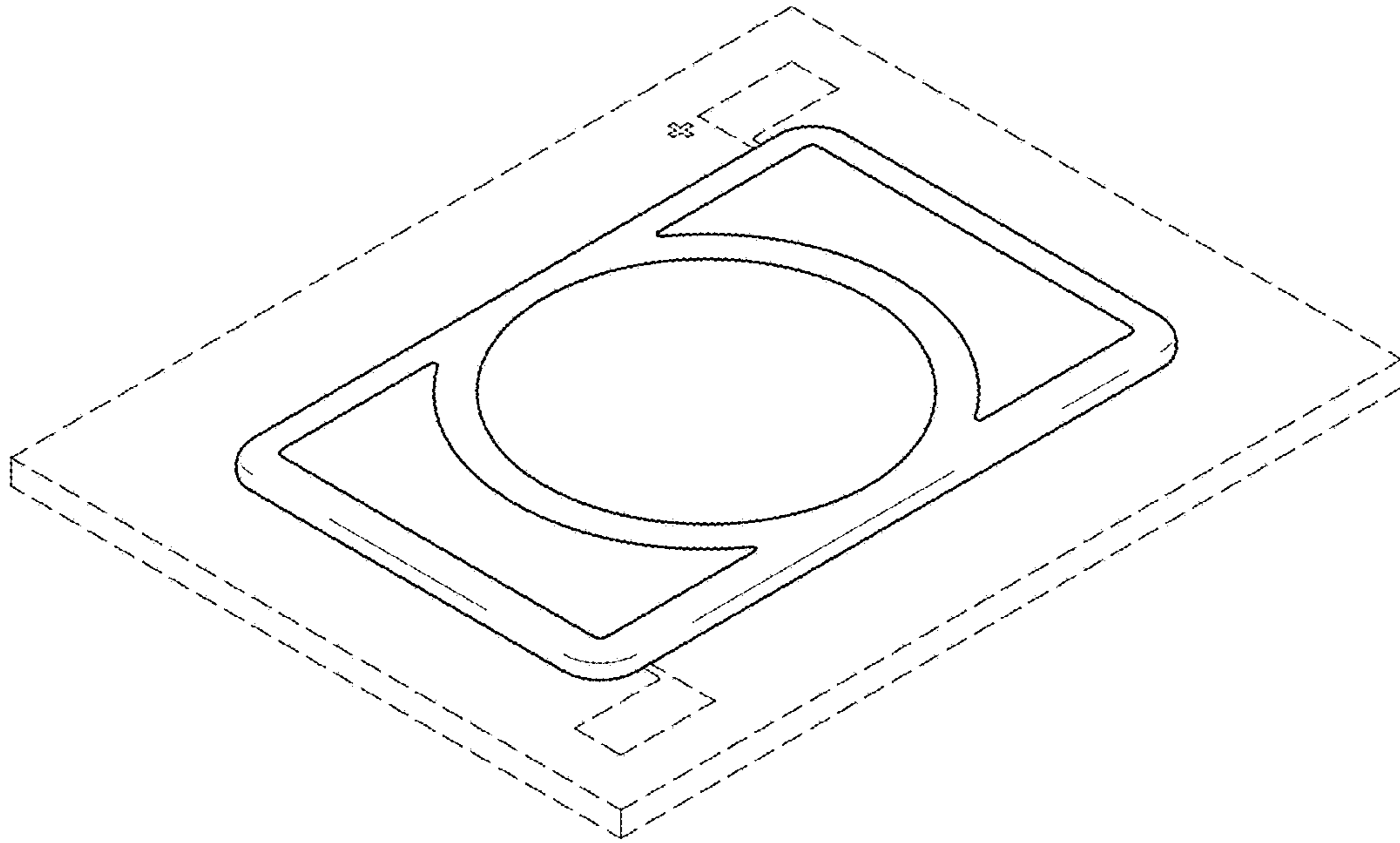


Fig. 2

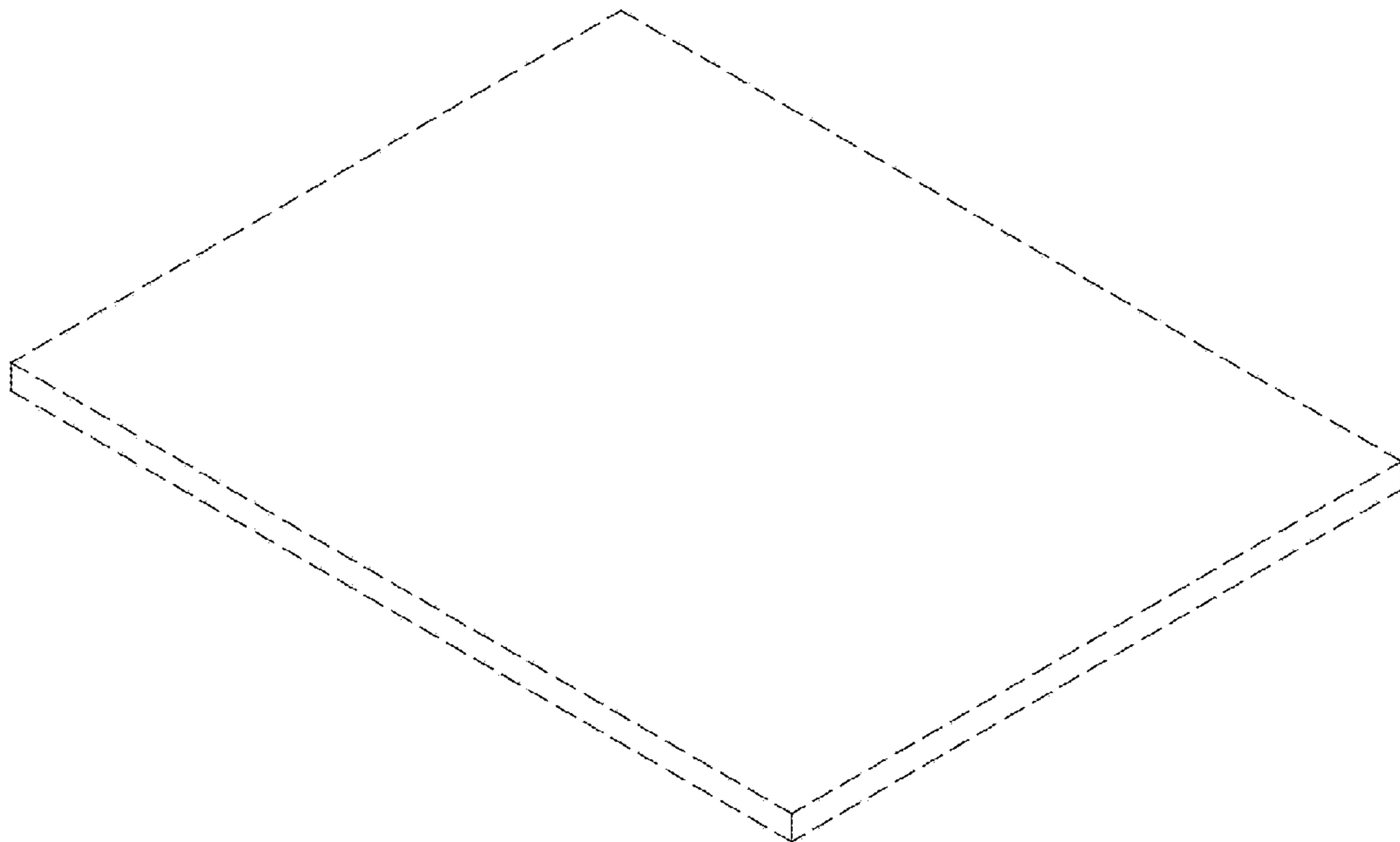


Fig. 3

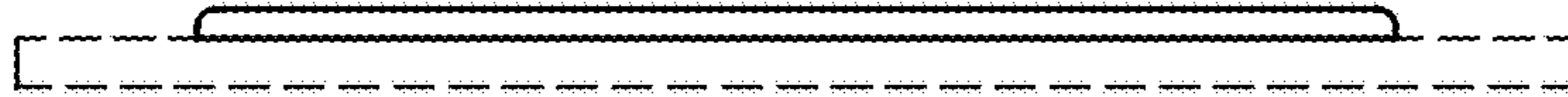


Fig. 4

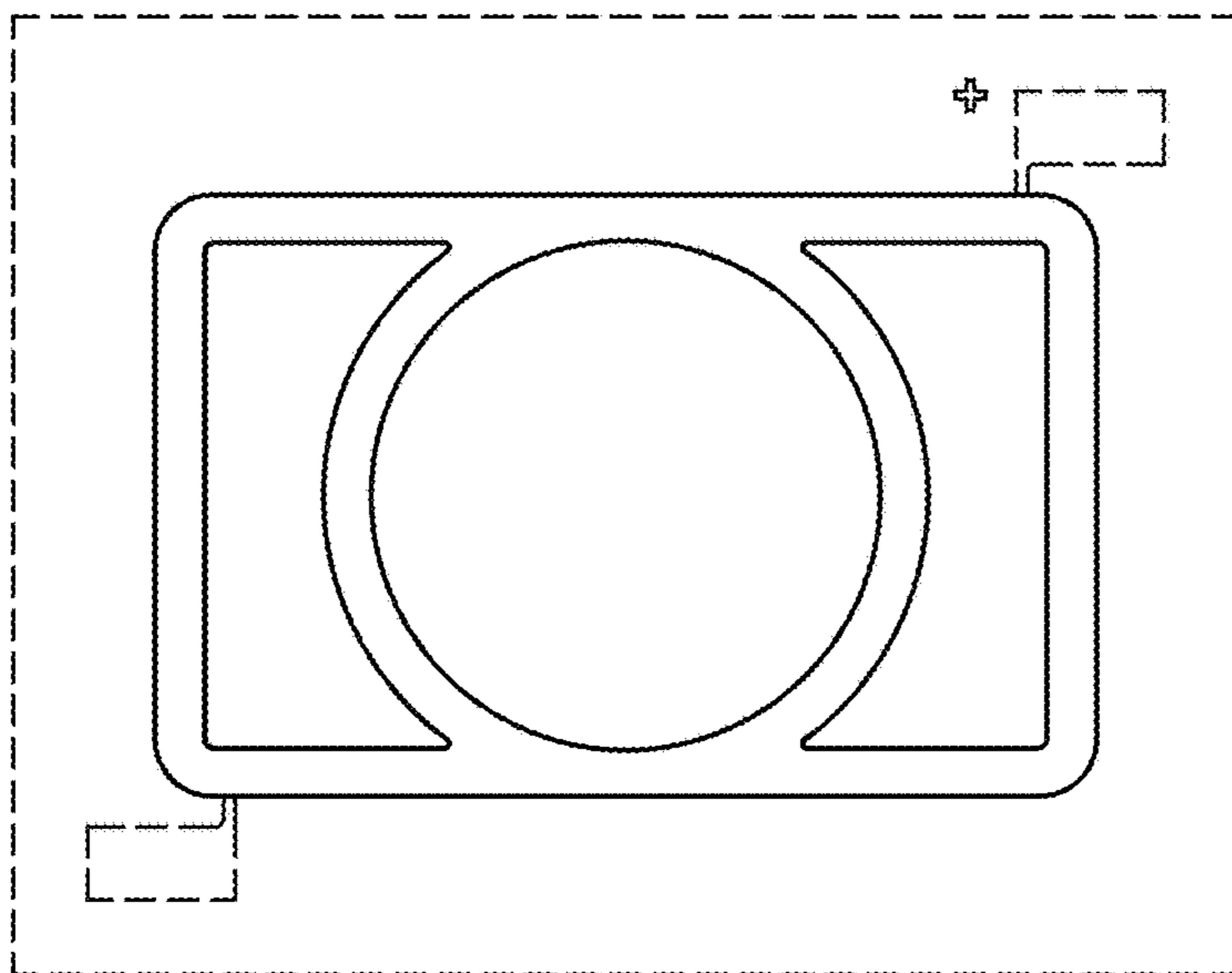


Fig. 5



Fig. 6

