



US00D788719S

(12) **United States Design Patent**  
**Li et al.**

(10) **Patent No.:** **US D788,719 S**  
(45) **Date of Patent:** **\*\* Jun. 6, 2017**

(54) **SWITCH**  
(71) Applicant: **Raffel Systems, LLC**, Germantown, WI (US)  
(72) Inventors: **Paul Li**, Milwaukee, WI (US); **Paul F. Stangl**, West Bend, WI (US); **Richard M. Weeden**, Cedarburg, WI (US); **Kenneth G. Seidl**, West Bend, WI (US); **Torrin T. Santy**, West Bend, WI (US); **Mitchell P. Rath**, Menomonee Falls, WI (US)

(73) Assignee: **RAFFEL SYSTEMS, LLC**, Germantown, WI (US)

(\*\*) Term: **15 Years**

(21) Appl. No.: **29/544,079**

(22) Filed: **Oct. 30, 2015**

(51) **LOC (10) Cl.** ..... **13-03**

(52) **U.S. Cl.**  
USPC ..... **D13/174; D13/171**

(58) **Field of Classification Search**  
USPC ..... D13/162, 164, 171, 173, 174  
CPC H01H 3/02; H01H 3/022; H01H 3/12; H01H 3/122; H01H 9/02; H01H 9/0235; H01H 13/023; H01H 13/04; H01H 13/06; H01H 13/063; H01H 13/10; H01H 13/12; H01H 13/14; H01H 13/36; H01H 13/70; H01H 13/86; H01H 21/24; H01H 25/065; A47C 1/0345; A47C 1/035; A47C 7/506  
See application file for complete search history.

(56) **References Cited**

**U.S. PATENT DOCUMENTS**

D305,018 S \* 12/1989 Pena ..... D13/164  
D305,019 S \* 12/1989 Pena ..... D13/171

5,362,932 A \* 11/1994 Inagaki ..... B29C 45/1418  
200/302.2  
6,800,819 B2 \* 10/2004 Sato ..... H01H 3/122  
200/314  
6,841,748 B2 \* 1/2005 Serizawa ..... H01H 13/702  
200/314  
7,087,847 B2 \* 8/2006 Parkinson ..... H01H 13/86  
200/302.2  
D689,825 S \* 9/2013 Wenji ..... D13/162  
8,766,115 B2 \* 7/2014 Kristen ..... H01H 25/065  
200/5 A  
8,884,175 B2 \* 11/2014 Botez ..... H01H 21/18  
200/341  
D720,305 S \* 12/2014 Wenji ..... D13/174  
D733,078 S \* 6/2015 Wu ..... D13/171  
D740,238 S \* 10/2015 Dorn ..... D13/174  
D740,763 S \* 10/2015 Wenji ..... D13/162  
D758,326 S \* 6/2016 Dorn ..... D13/174  
D758,975 S \* 6/2016 Hunter ..... D13/162  
2011/0198894 A1 \* 8/2011 Hsieh ..... A47C 1/0242  
297/68

(Continued)

*Primary Examiner* — Selina Sikder

(74) *Attorney, Agent, or Firm* — Tyler J. Sisk; Casimir Jones, S.C.

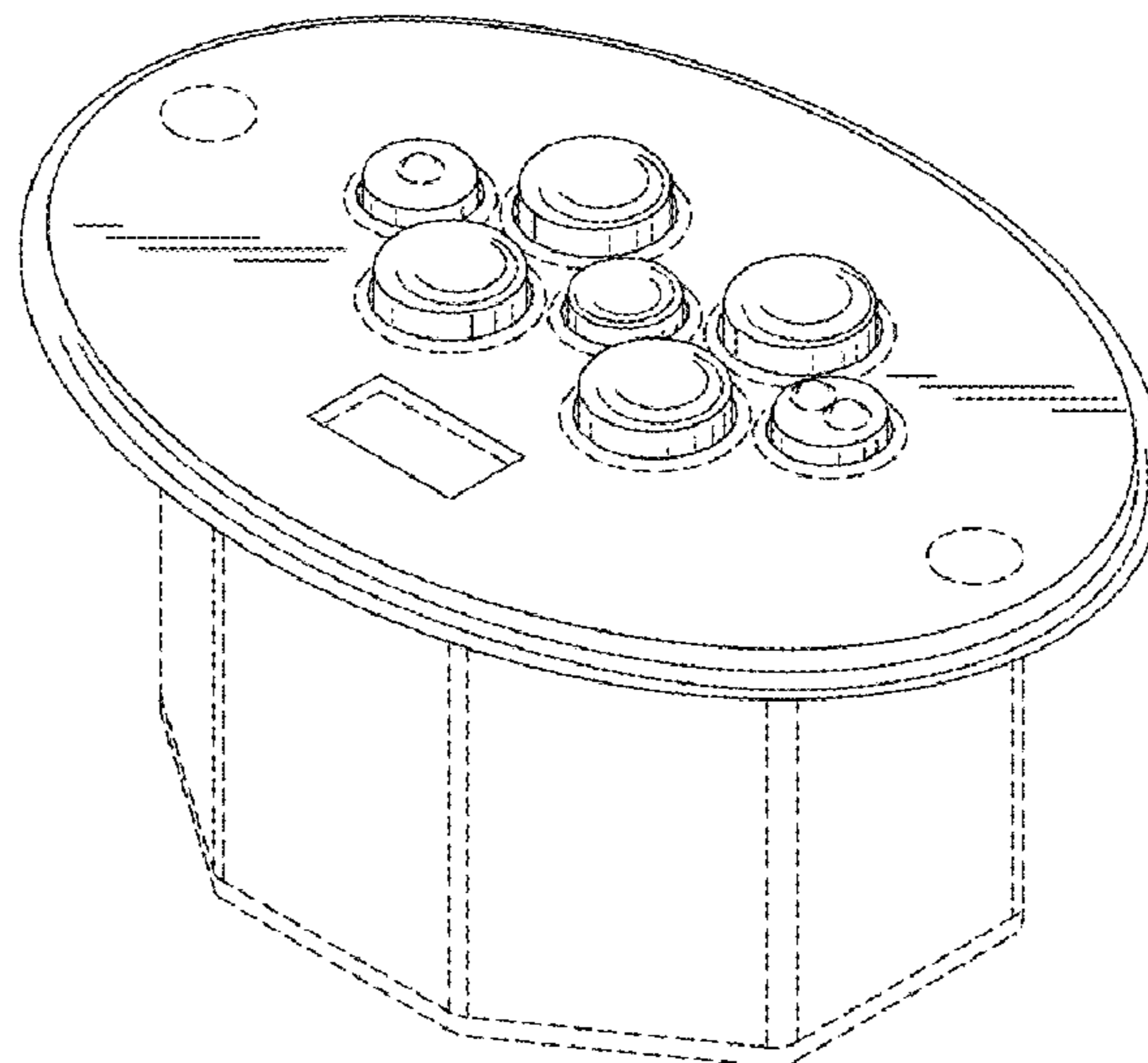
(57) **CLAIM**

The ornamental design for a switch, as shown and described.

**DESCRIPTION**

FIG. 1 is a three-quarter perspective view showing our new design of a switch;  
FIG. 2 is a front elevational view thereof,  
FIG. 3 is a rear elevational view thereof;  
FIG. 4 is a left side elevational view thereof,  
FIG. 5 is a right side elevational view thereof,  
FIG. 6 is a top plan view thereof; and,  
FIG. 7 is a bottom plan view thereof.  
The broken lines shown in FIGS. 1 through 7 are for the purpose of illustrating environment, and form no part of the claimed design.

**1 Claim, 1 Drawing Sheet**



(56)

**References Cited**

U.S. PATENT DOCUMENTS

2014/0353134 A1 \* 12/2014 Muller ..... H01H 3/20  
200/5 A

\* cited by examiner

Fig. 1

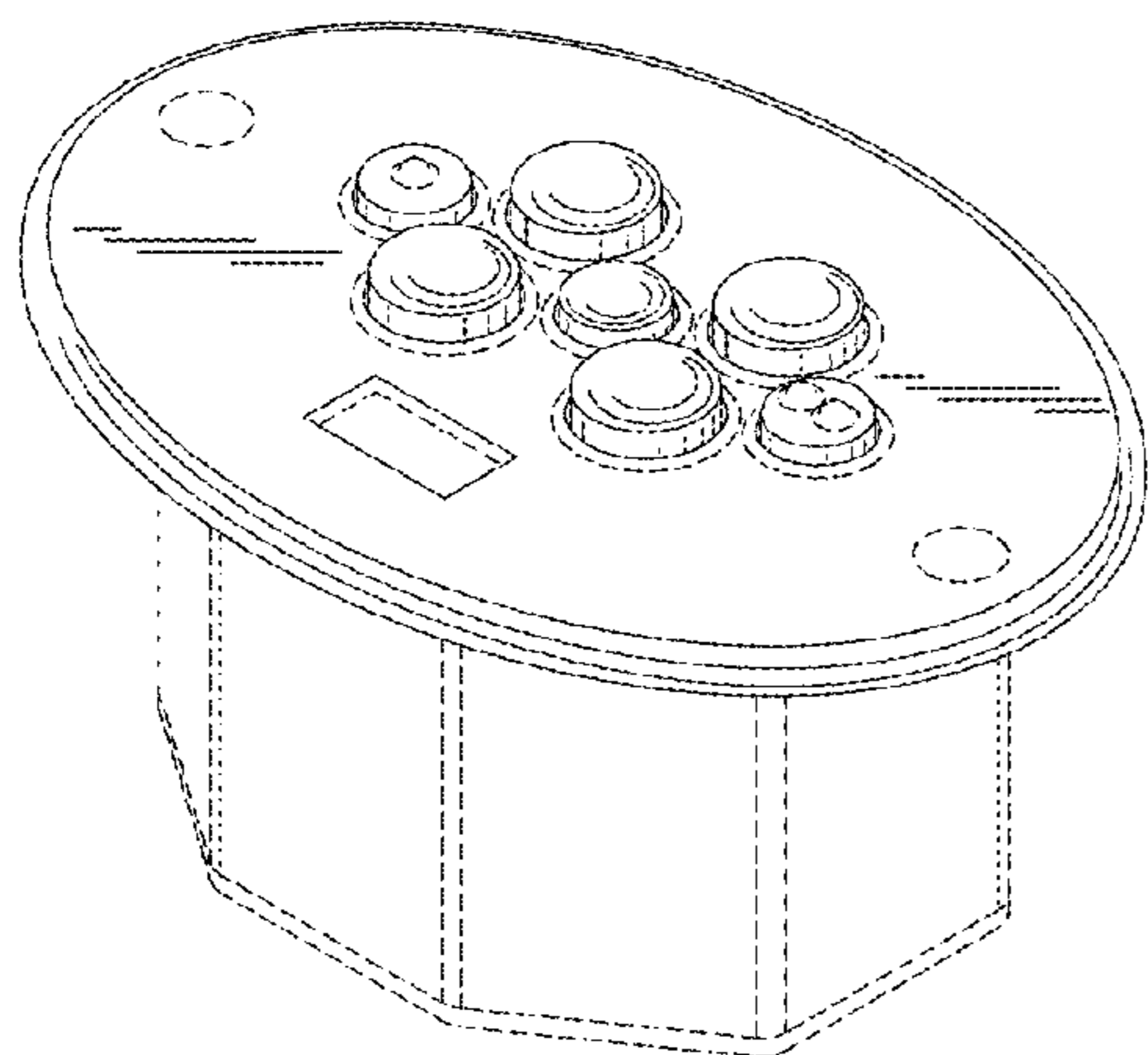


Fig. 6

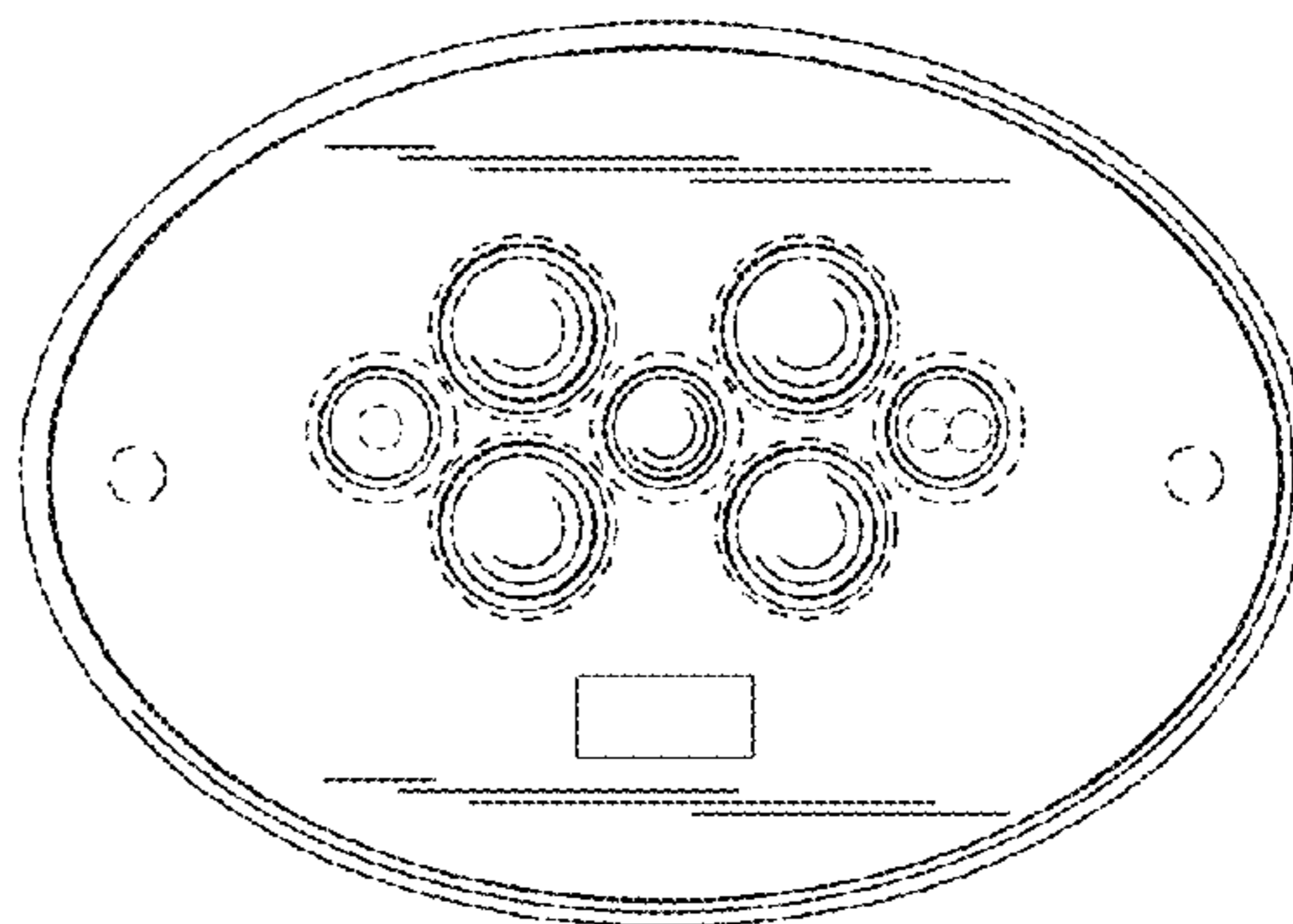


Fig. 4

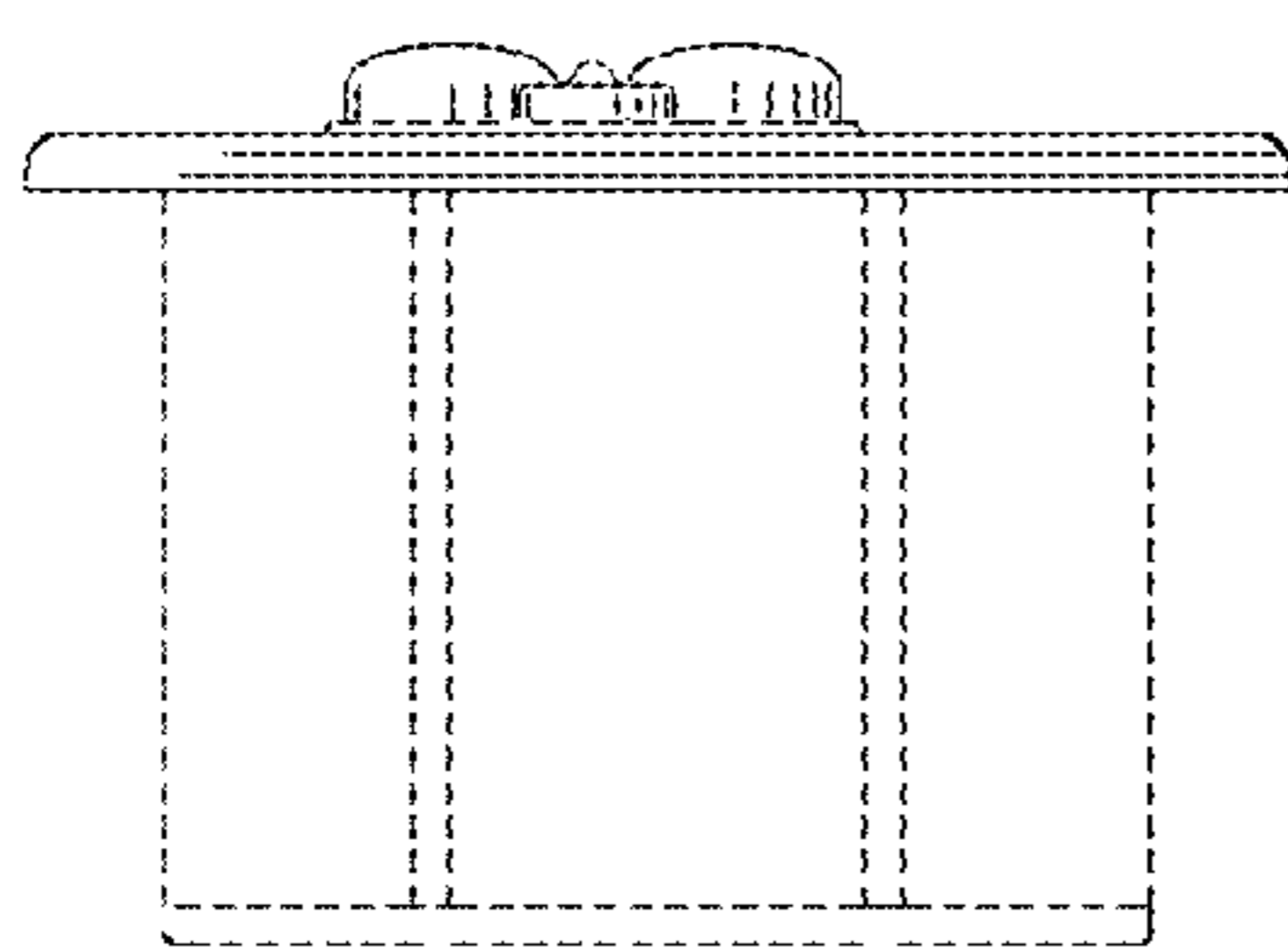


Fig. 2

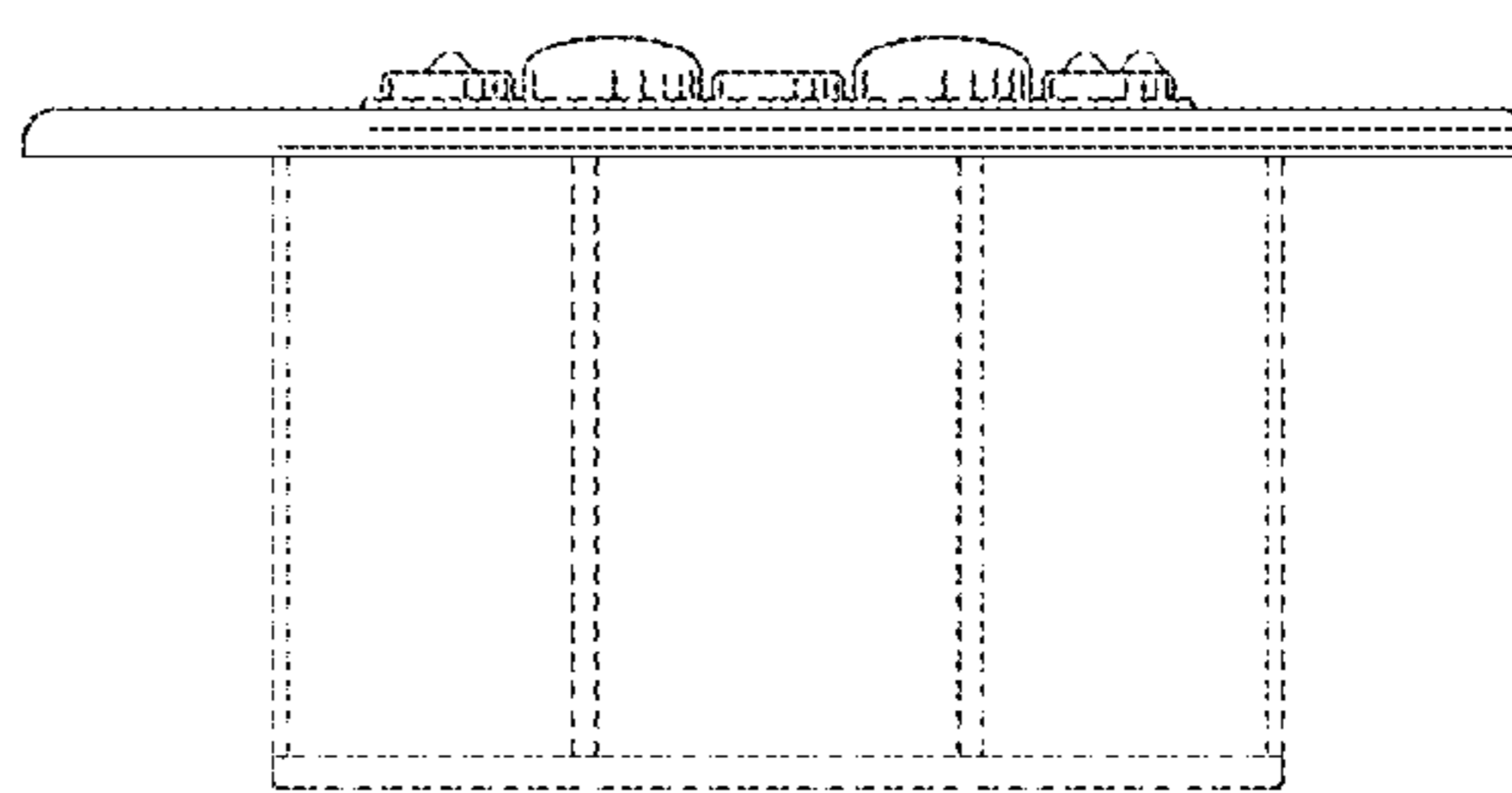


Fig. 5

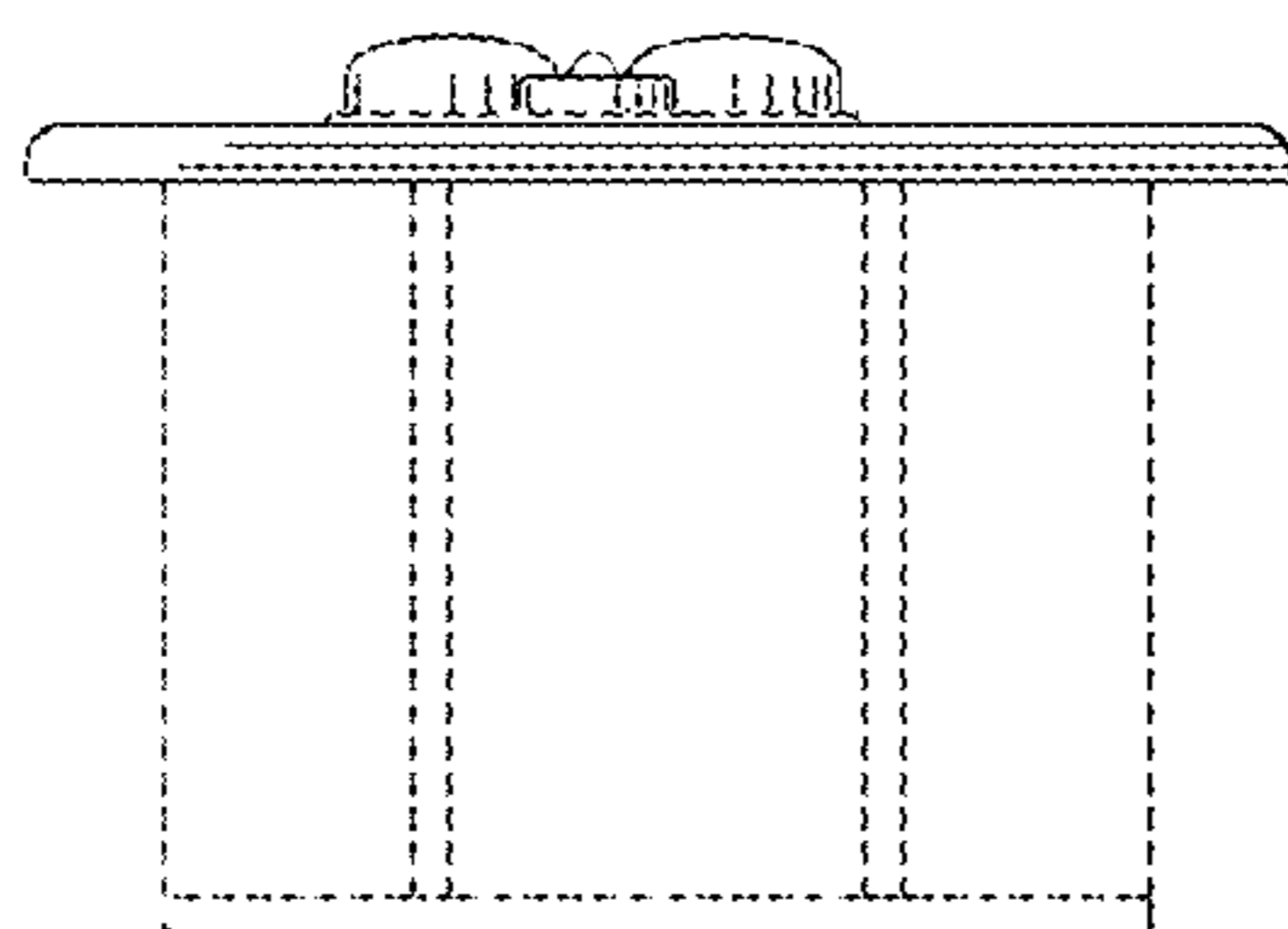


Fig. 3

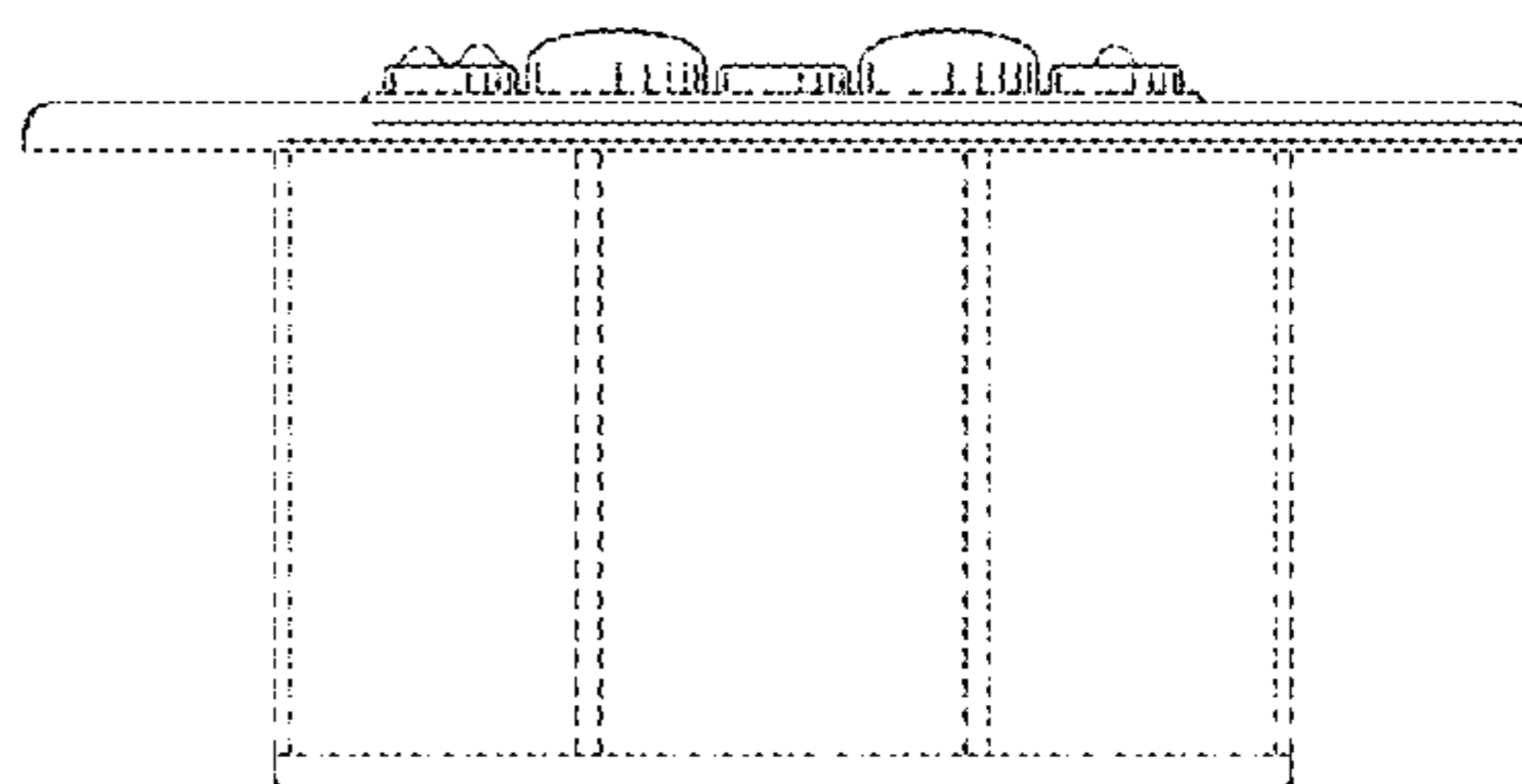


Fig. 7

