



US00D788718S

(12) **United States Design Patent**
Tang et al.

(10) **Patent No.:** **US D788,718 S**
(45) **Date of Patent:** **** Jun. 6, 2017**

- (54) **CONTROL SWITCH**
- (71) Applicant: **eMoMo Technology Co., Ltd.**, Baoan, Shenzhen (CN)
- (72) Inventors: **Wenji Tang**, Shenzhen (CN); **Yushu Zhao**, Shenzhen (CN); **Jing Song**, Shenzhen (CN)
- (73) Assignee: **eMoMo Technology Co., Ltd.**, Shenzhen (CN)
- (**) Term: **15 Years**
- (21) Appl. No.: **29/559,516**
- (22) Filed: **Mar. 29, 2016**
- (30) **Foreign Application Priority Data**

- Oct. 27, 2015 (CN) 2015 3 0417411
 - (51) **LOC (10) Cl.** **13-03**
 - (52) **U.S. Cl.**
USPC **D13/169**
 - (58) **Field of Classification Search**
USPC D13/162, 169, 171, 174
CPC H01H 3/02; H01H 3/022; H01H 3/12; H01H 3/122; H01H 9/02; H01H 9/0235; H01H 13/023; H01H 13/04; H01H 13/06; H01H 13/063; H01H 13/10; H01H 13/12; H01H 13/142; H01H 13/20; H01H 13/30; H01H 13/36; H01H 13/70; H01H 13/86; H01H 21/24; H01H 25/065; H01H 23/02; H01H 23/025; H01H 23/04; H01H 23/08; H01H 23/145; A47C 7/506; A47C 1/0345; A47C 1/035
- See application file for complete search history.

- (56) **References Cited**
U.S. PATENT DOCUMENTS
- 6,388,221 B1 * 5/2002 Rudolph H01H 23/04 200/339
- 6,724,102 B1 * 4/2004 Kelwaski B60L 1/00 307/10.1

- D626,093 S * 10/2010 Bates D13/174
- D652,390 S * 1/2012 Boehm D13/158
- 8,106,325 B2 * 1/2012 Laurent H01H 13/70 200/296
- D694,715 S * 12/2013 Fichte D13/162
- 8,766,115 B2 * 7/2014 Kristen H01H 13/86 200/5 A
- 8,859,921 B2 * 10/2014 Chiba H01H 23/145 200/547
- D720,305 S * 12/2014 Wenji D13/174
- D733,652 S * 7/2015 Wenji D13/123
- 9,082,569 B2 * 7/2015 Alderson H01H 23/04
- D740,238 S * 10/2015 Dorn D13/174
- D758,975 S * 6/2016 Hunter D13/162
- D764,420 S * 8/2016 Naka D13/171
- 2011/0198894 A1 * 8/2011 Hsieh A47C 1/0242 297/68
- 2014/0353134 A1 * 12/2014 Muller H01H 3/20 200/5 A

(Continued)

Primary Examiner — Selina Sikder
(74) *Attorney, Agent, or Firm* — Bass, Berry & Sims, PLC

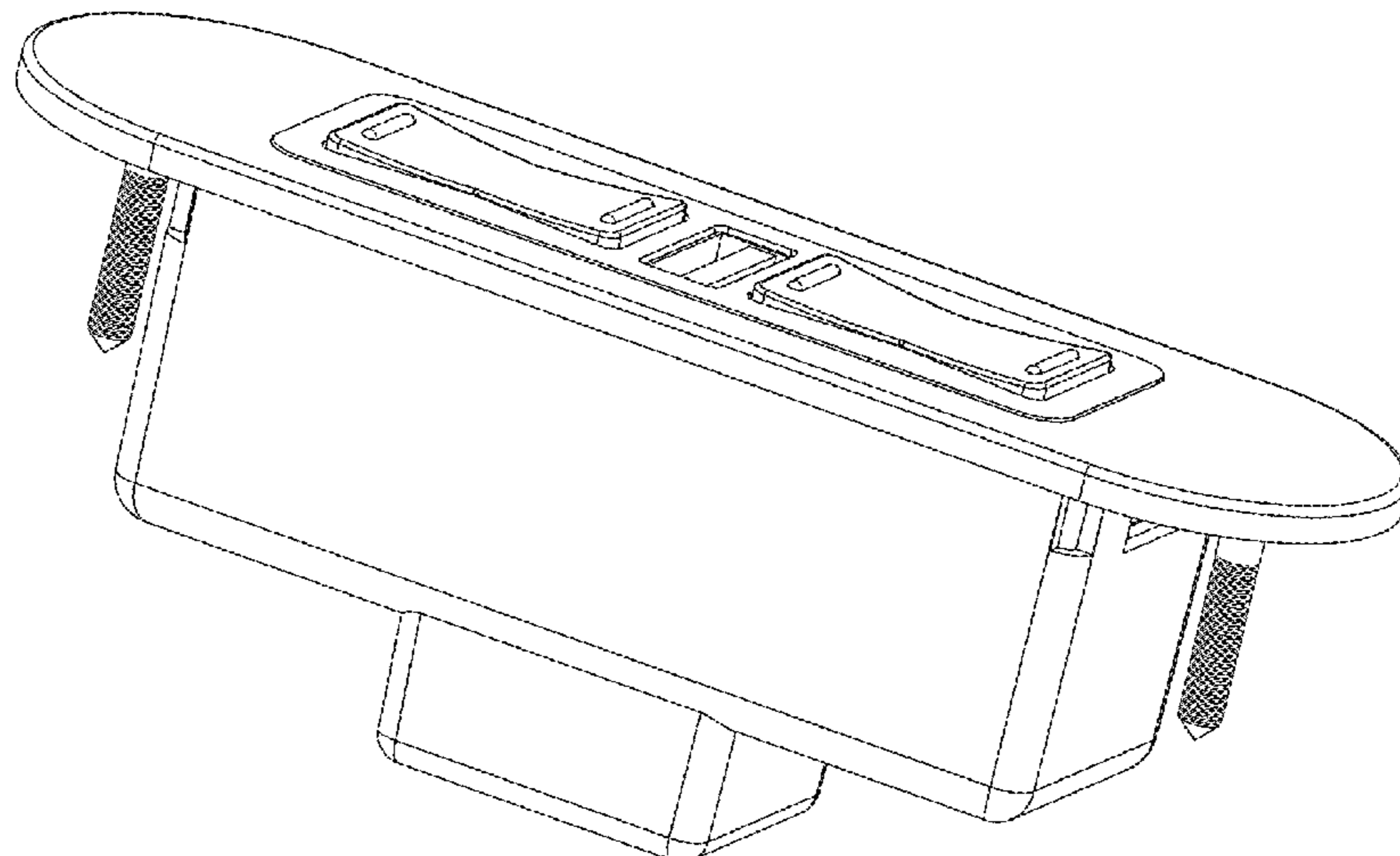
(57) **CLAIM**

The ornamental design for a control switch, as shown and described.

DESCRIPTION

FIG. 1 is a top plan view of a control switch showing our new design;
FIG. 2 is a bottom plan view thereof;
FIG. 3 is a left side view thereof;
FIG. 4 is a right side view thereof;
FIG. 5 is a front view thereof;
FIG. 6 is a rear view thereof; and,
FIG. 7 is a front perspective view thereof.

1 Claim, 7 Drawing Sheets



(56)

References Cited

U.S. PATENT DOCUMENTS

2015/0243454 A1* 8/2015 Choi B60K 37/06
200/5 A

* cited by examiner

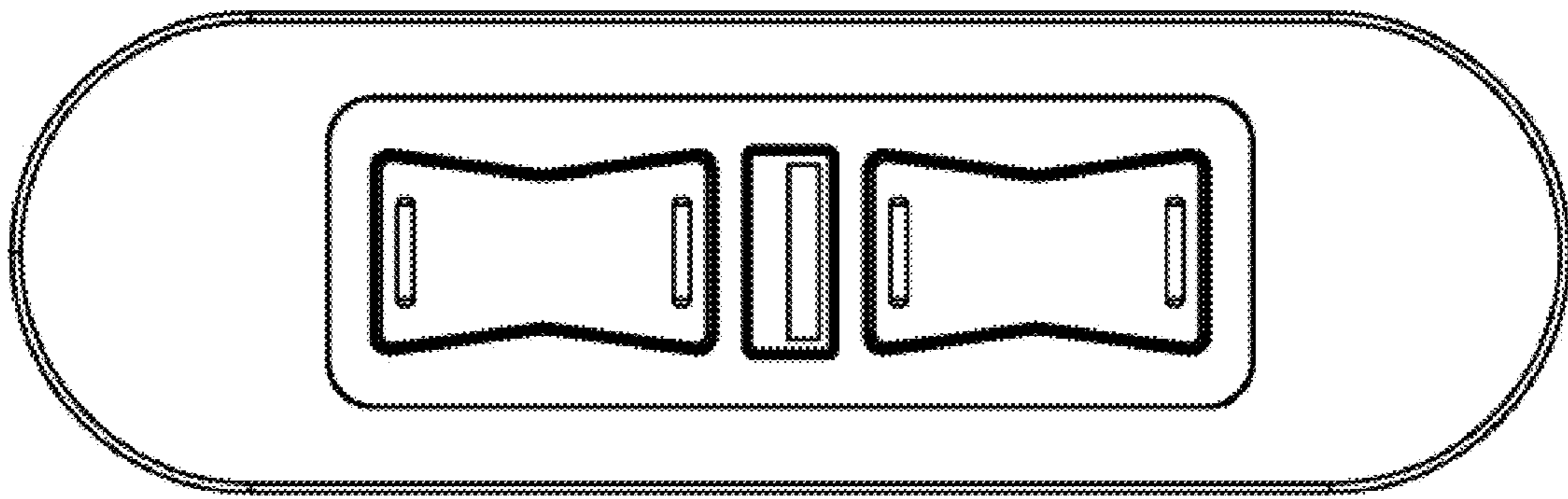


Fig. 1

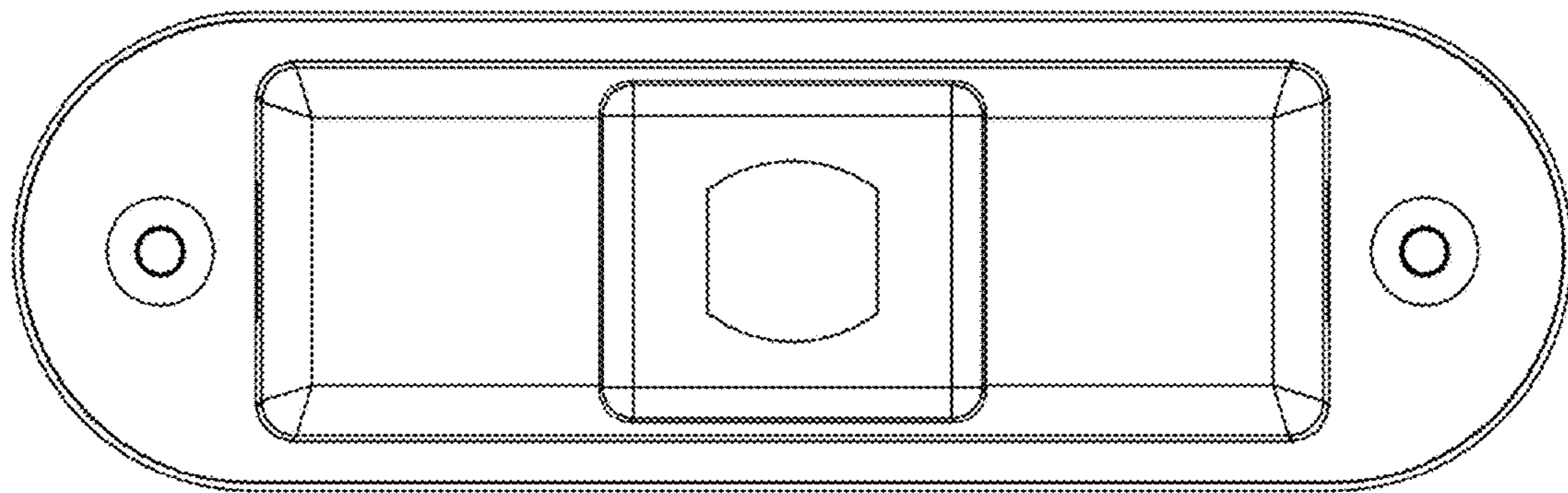


Fig. 2

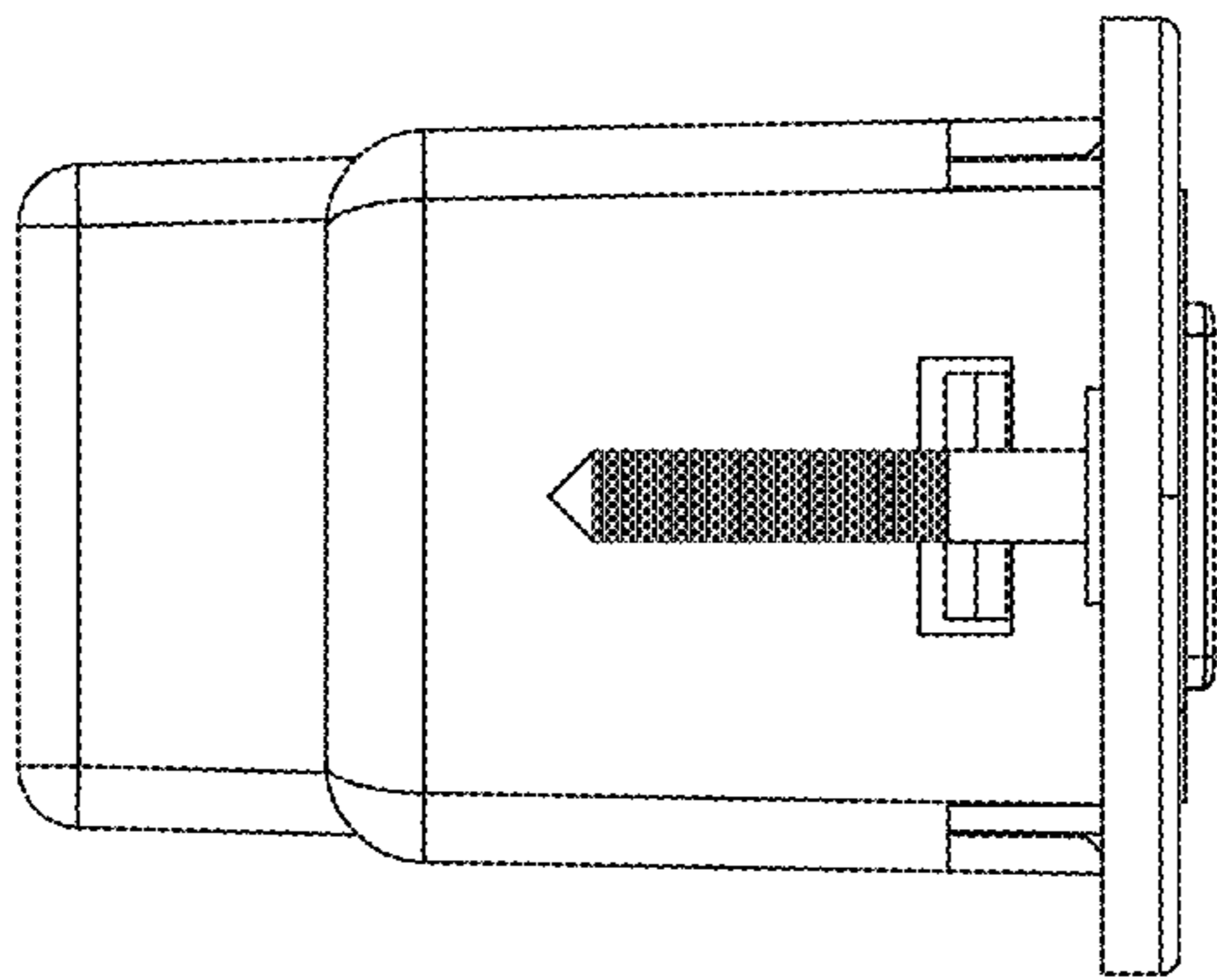


Fig. 3

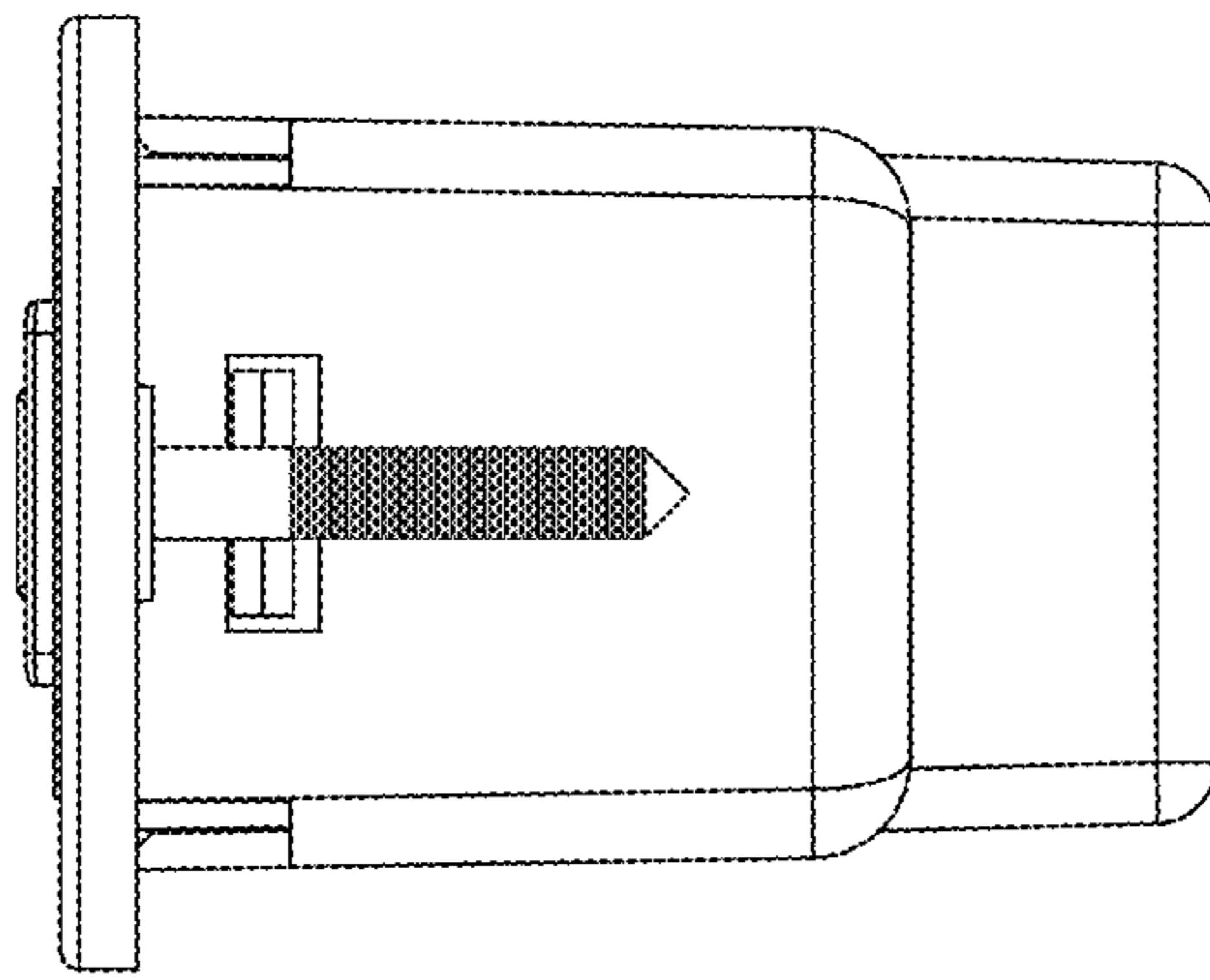


Fig. 4

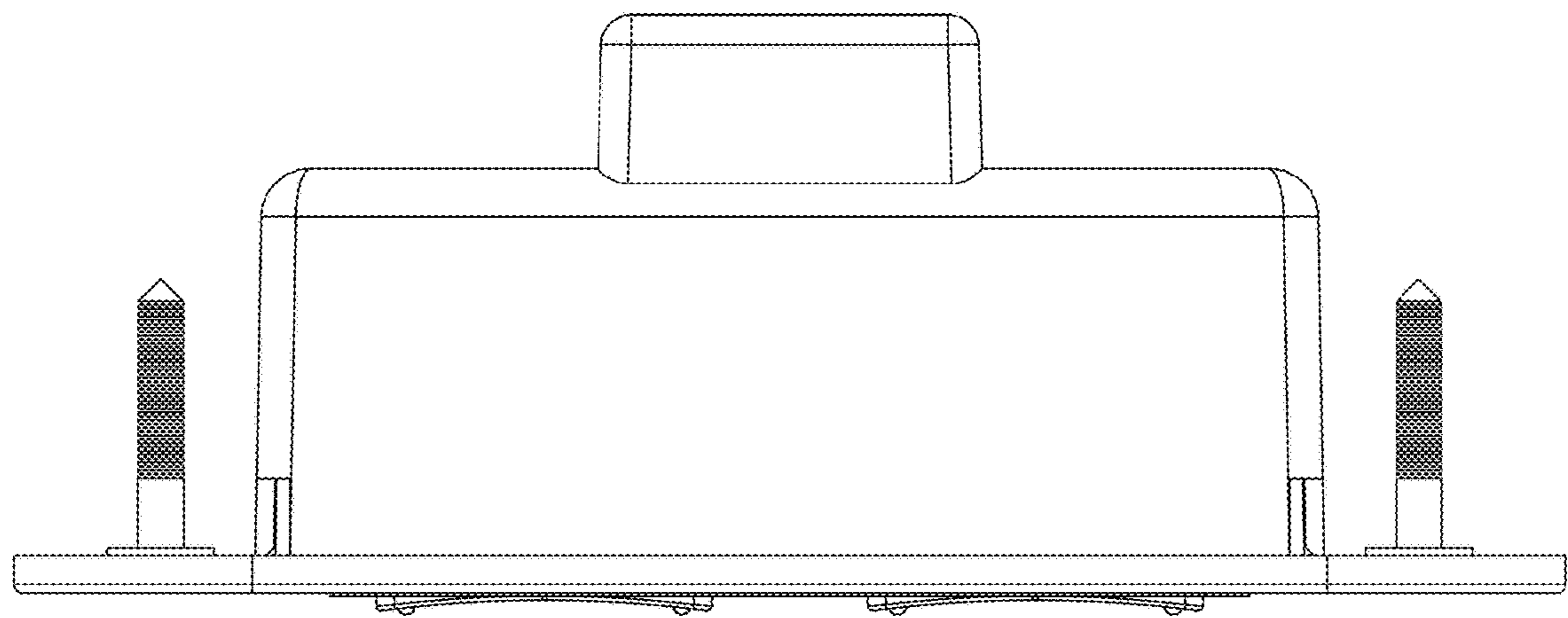


Fig. 5

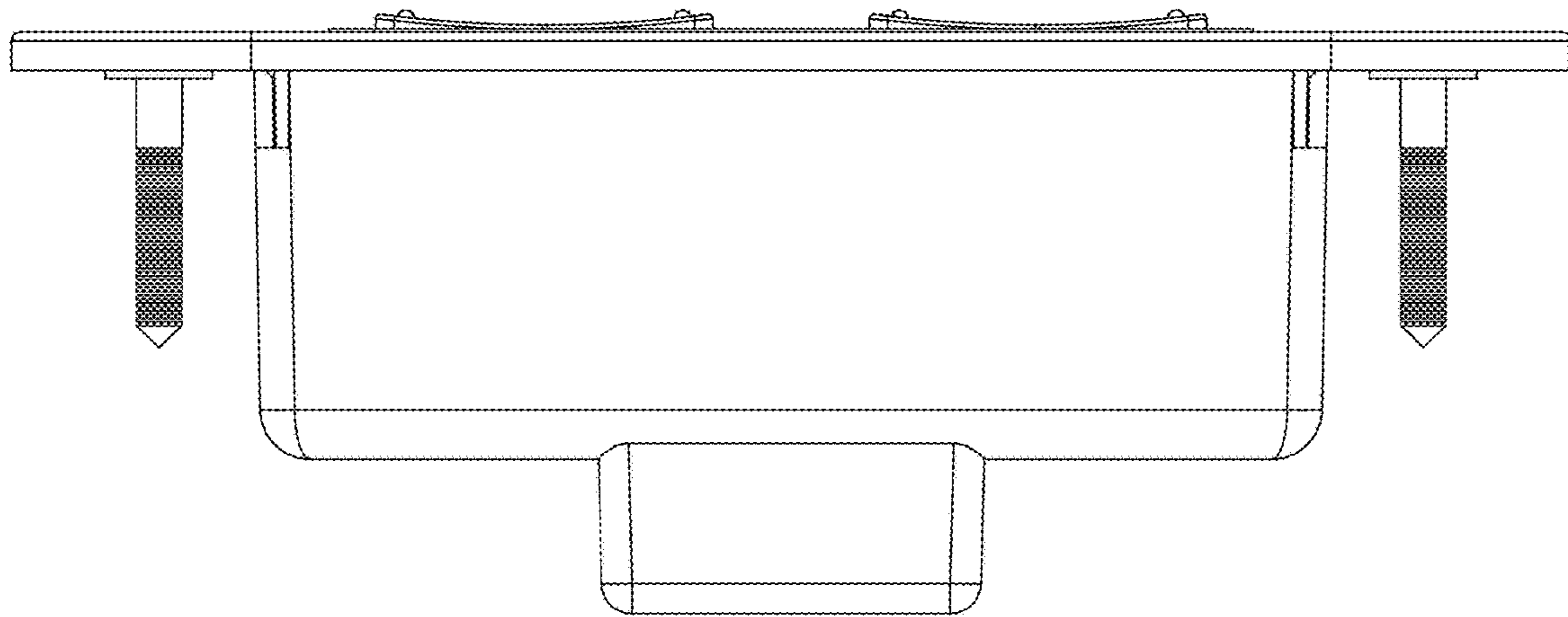


Fig. 6

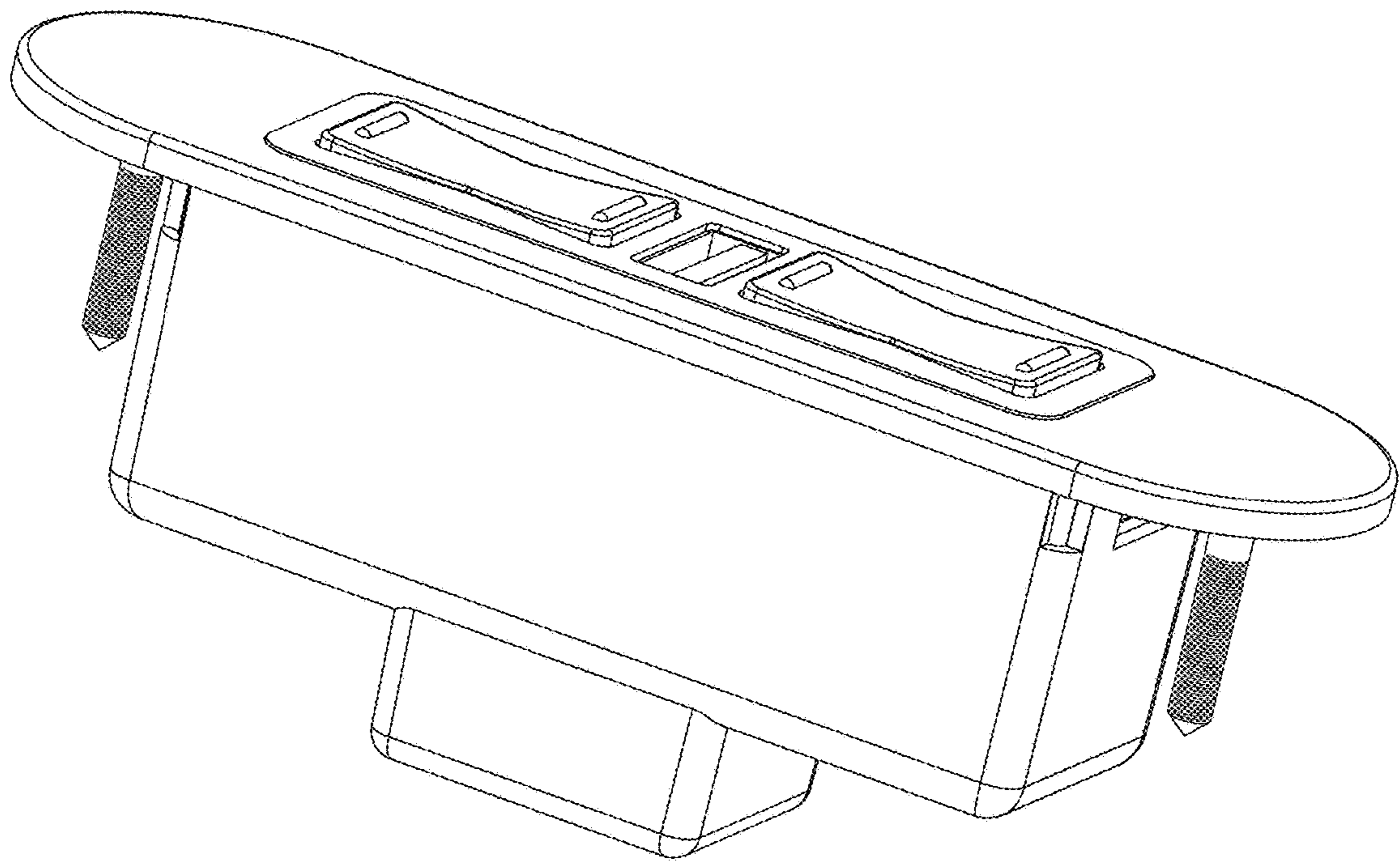


Fig. 7