



US00D788717S

(12) **United States Design Patent**
Michelin

(10) **Patent No.:** **US D788,717 S**

(45) **Date of Patent:** **** Jun. 6, 2017**

- (54) **REMOTE CONTROL**
- (71) Applicant: **CONTROLLED ENTRY DISTRIBUTORS, INC.**, Salt Lake City, UT (US)
- (72) Inventor: **Nicola Michelin**, Noventa di Piave (IT)
- (73) Assignee: **CONTROLLED ENTRY DISTRIBUTORS, INC.**, Salt Lake City, UT (US)
- (**) Term: **15 Years**
- (21) Appl. No.: **29/546,482**
- (22) Filed: **Nov. 23, 2015**
- (51) **LOC (10) Cl.** **14-03**
- (52) **U.S. Cl.**
USPC **D13/168**
- (58) **Field of Classification Search**
USPC D13/168; D10/104.1, 106.1; D3/207, D3/208; D8/347
CPC ... B60R 2225/00; B60R 25/00; B60R 25/104; H01H 9/02; H01H 9/0214; H01H 9/0235; G07C 9/00944; G05B 1/01; E05B 19/0082; E05B 19/04; Y10T 70/8676
See application file for complete search history.

- 8,406,000 B2 * 3/2013 Zaitz G07C 9/00944 361/752
- 8,662,688 B2 * 3/2014 Nickel E05B 19/043 362/23.03
- D712,381 S * 9/2014 Hwang D14/218
- 9,244,480 B2 * 1/2016 Jurek H01H 9/0235
- 2004/0099430 A1 * 5/2004 Scudder G07C 9/00944 174/564
- 2007/0227866 A1 * 10/2007 Dimig E05B 19/0082 200/302.2
- 2008/0087062 A1 * 4/2008 Chen A45C 11/32 70/456 R
- 2009/0128288 A1 * 5/2009 Fujimoto G07C 9/00944 340/5.64
- 2010/0102927 A1 * 4/2010 Monig B60R 25/2009 340/5.64
- 2014/0043140 A1 * 2/2014 Nakabayashi G07C 9/00944 340/5.72
- 2016/0278229 A1 * 9/2016 Saito H01H 9/0235

* cited by examiner

Primary Examiner — Selina Sikder
(74) *Attorney, Agent, or Firm* — Holland & Hart

(57) **CLAIM**

The ornamental design for remote control, as shown and described.

DESCRIPTION

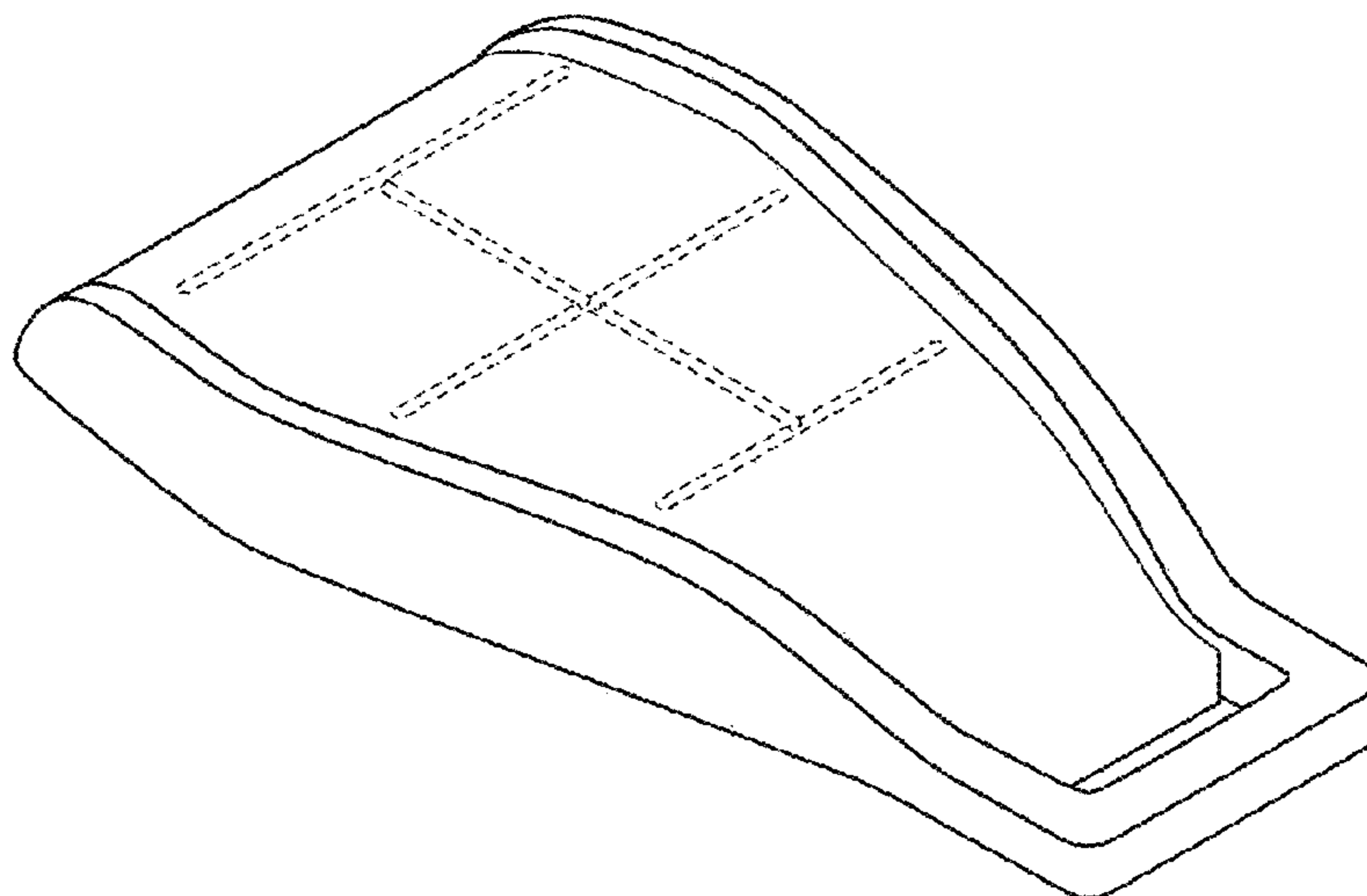
FIG. 1 is a right side view of remote control according to the present invention;
FIG. 2 is a front view thereof;
FIG. 3 is a left side view thereof;
FIG. 4 is a rear view thereof;
FIG. 5 is a top view thereof;
FIG. 6 is a bottom view thereof; and,
FIG. 7 is a perspective view thereof.
The broken line showing portions of the remote control is for illustrative purposes only forms no part of the claimed design.

1 Claim, 7 Drawing Sheets

(56) **References Cited**

U.S. PATENT DOCUMENTS

- D514,527 S * 2/2006 DiPasquale D13/168
- 7,041,924 B2 * 5/2006 Jeschke G07C 9/00944 200/302.2
- D528,511 S * 9/2006 Li D13/168
- D588,555 S * 3/2009 Navarrete D13/168
- D622,710 S * 8/2010 Goransson D14/218
- 8,029,409 B2 * 10/2011 Vermeersch B60R 25/066 477/96
- D670,255 S * 11/2012 Clark D13/168



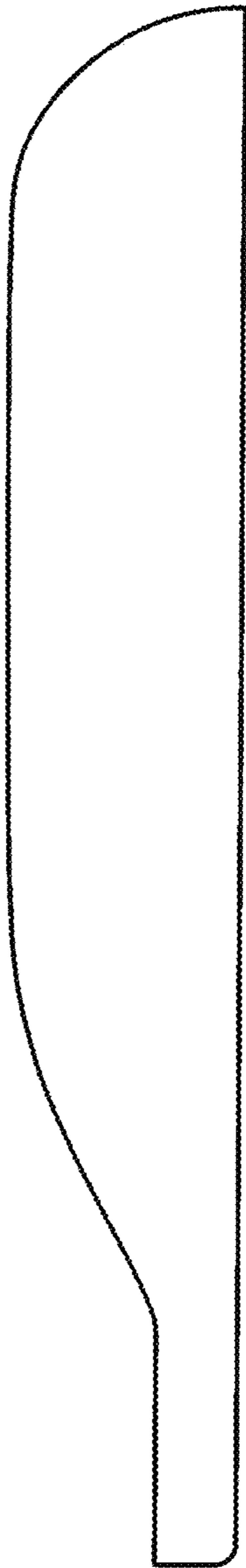


FIG. 1

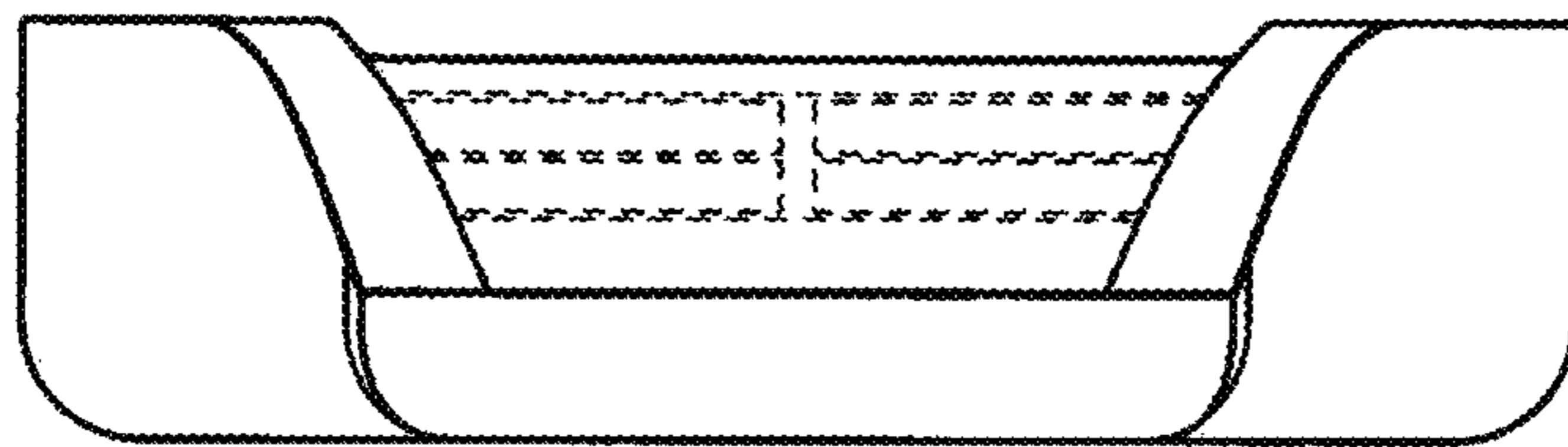


FIG. 2

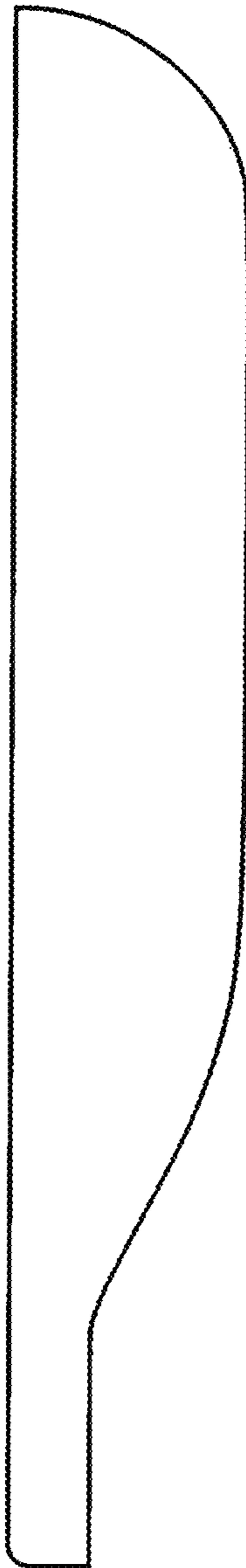


FIG. 3

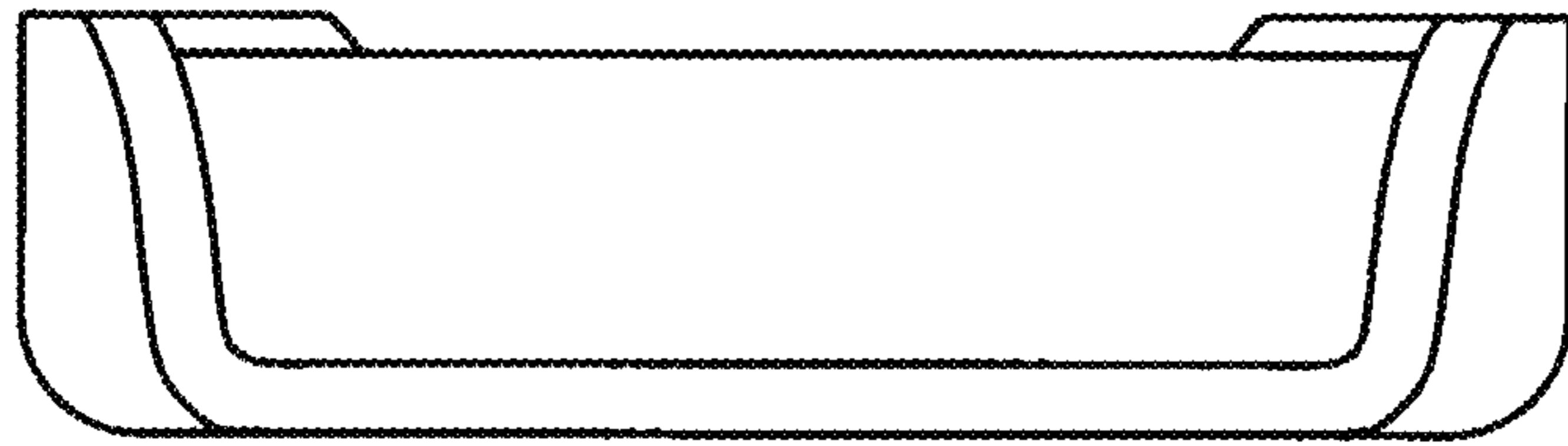


FIG. 4

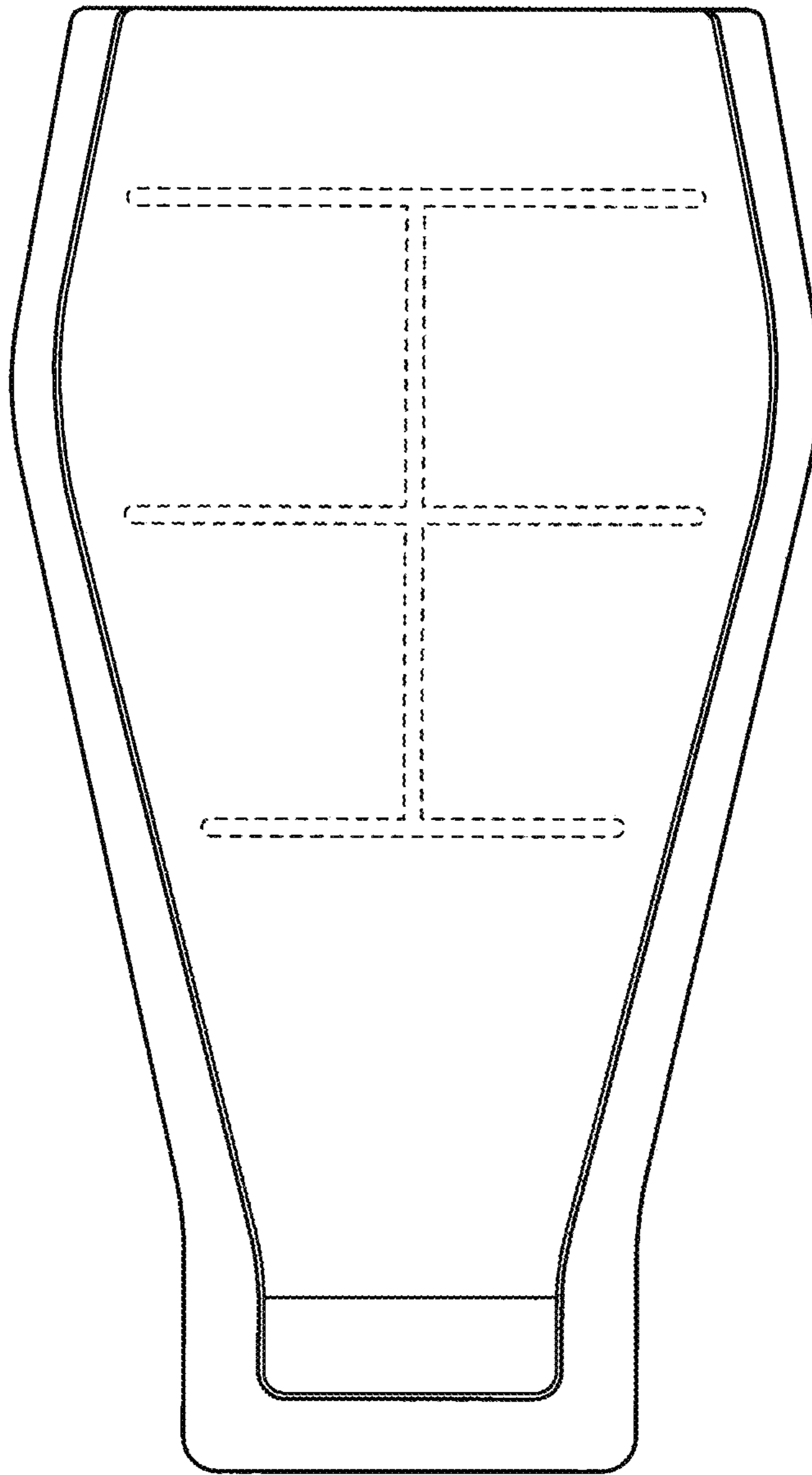


FIG. 5

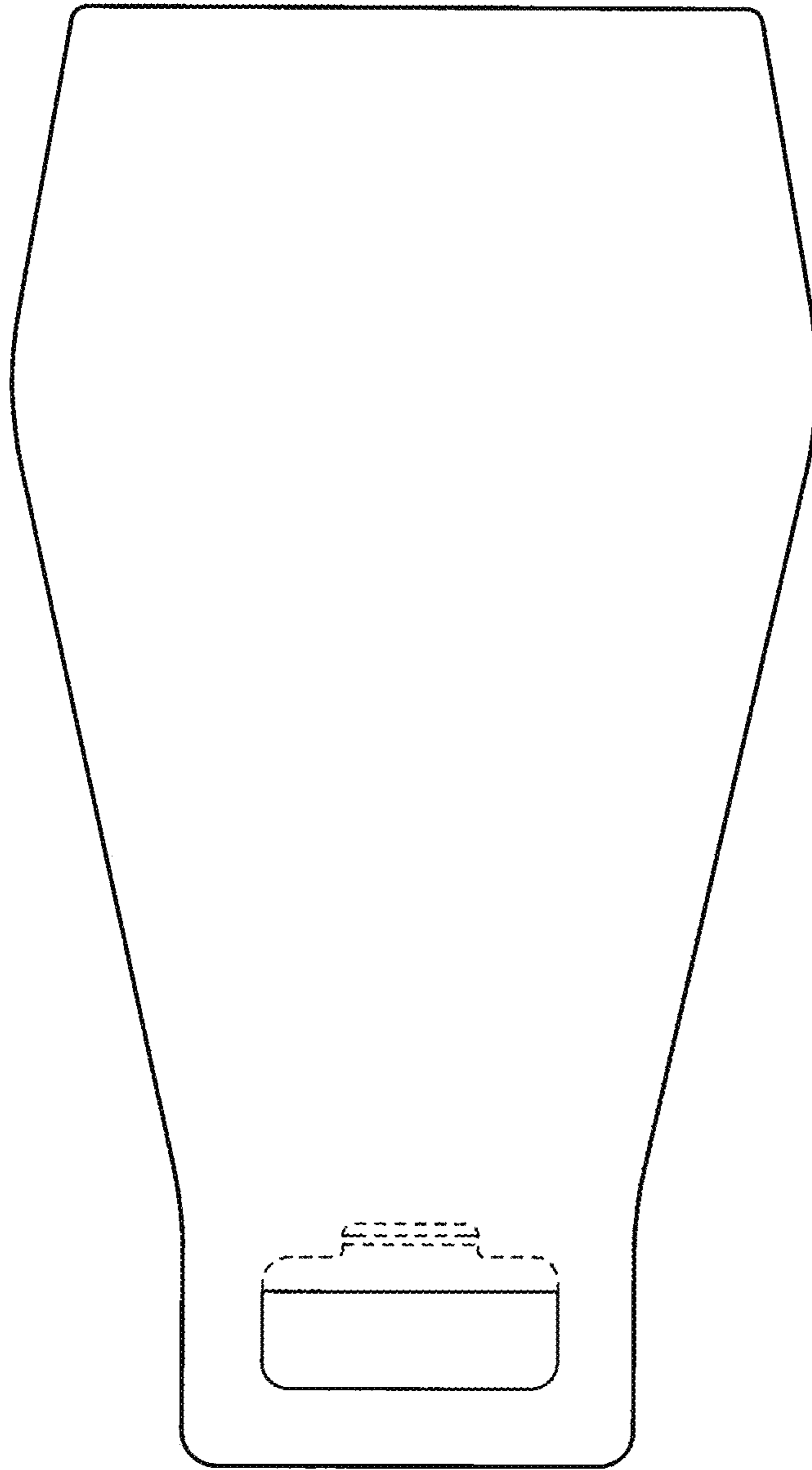


FIG. 6

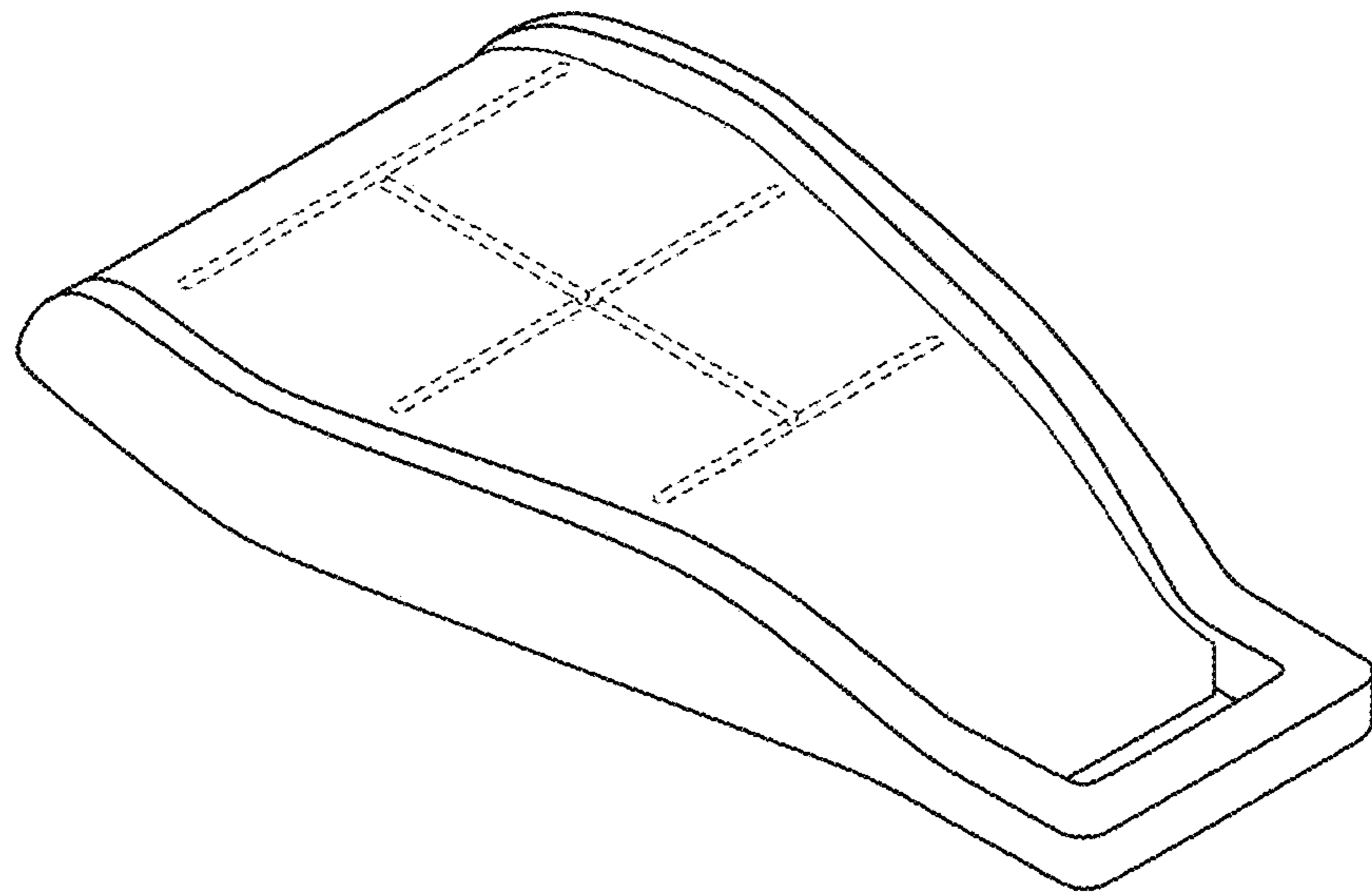


FIG. 7