



US00D788714S

(12) **United States Design Patent** (10) **Patent No.:** **US D788,714 S**
Karlen et al. (45) **Date of Patent:** **** Jun. 6, 2017**

(54) **CONTACTOR**

(71) Applicant: **ABB Schweiz AG**, Baden (CH)
(72) Inventors: **David Karlen**, Västerås (SE); **Anders Eriksson**, Västerås (SE)

(73) Assignee: **ABB Schweiz AG**, Baden (CH)

(**) Term: **15 Years**

(21) Appl. No.: **29/540,082**

(22) Filed: **Sep. 21, 2015**

(30) **Foreign Application Priority Data**

Mar. 23, 2015 (EM) 002665026-0001

(51) **LOC (10) Cl.** **13-03**

(52) **U.S. Cl.**
USPC **D13/159**

(58) **Field of Classification Search**

USPC D13/103, 110, 112, 118, 123, 158-160,
D13/184, 199, 165-173, 177, 178

CPC H01H 33/60; H01H 33/00; H01H 37/04;
H01H 37/5427; H01H 71/00; H01H
71/02; H01H 71/06; H01H 73/08; H01H
3/22; H01H 9/02; H01H 9/20; H01H
9/30; H01H 71/12; H01H 75/00; H01H
9/00; H01H 13/00; H01H 13/44; H01H
33/10; H01H 37/52; H01H 71/08; H01H
83/00

See application file for complete search history.

(56) **References Cited**

U.S. PATENT DOCUMENTS

D183,812 S * 10/1958 Schaus D13/160
D325,726 S * 4/1992 Yamagata D13/160

D340,698 S * 10/1993 Nystrom D13/162
D358,753 S * 5/1995 Yoshida D13/123
D359,948 S * 7/1995 Merlin D13/160
D468,687 S * 1/2003 Hamada D13/113
D498,465 S * 11/2004 Kim D13/160
D547,730 S * 7/2007 Azzola D13/160
8,587,240 B2 * 11/2013 Wolfe H02P 1/28
318/400.19
D713,801 S * 9/2014 Johansson D13/123
D714,733 S * 10/2014 Johansson D13/123
D733,070 S * 6/2015 Engblom D13/158
2002/0192990 A1 * 12/2002 Alexandre H01H 50/326
439/135

* cited by examiner

Primary Examiner — Thomas Johannes

Assistant Examiner — Shawn T Gingrich

(74) *Attorney, Agent, or Firm* — Whitmyer IP Group LLC

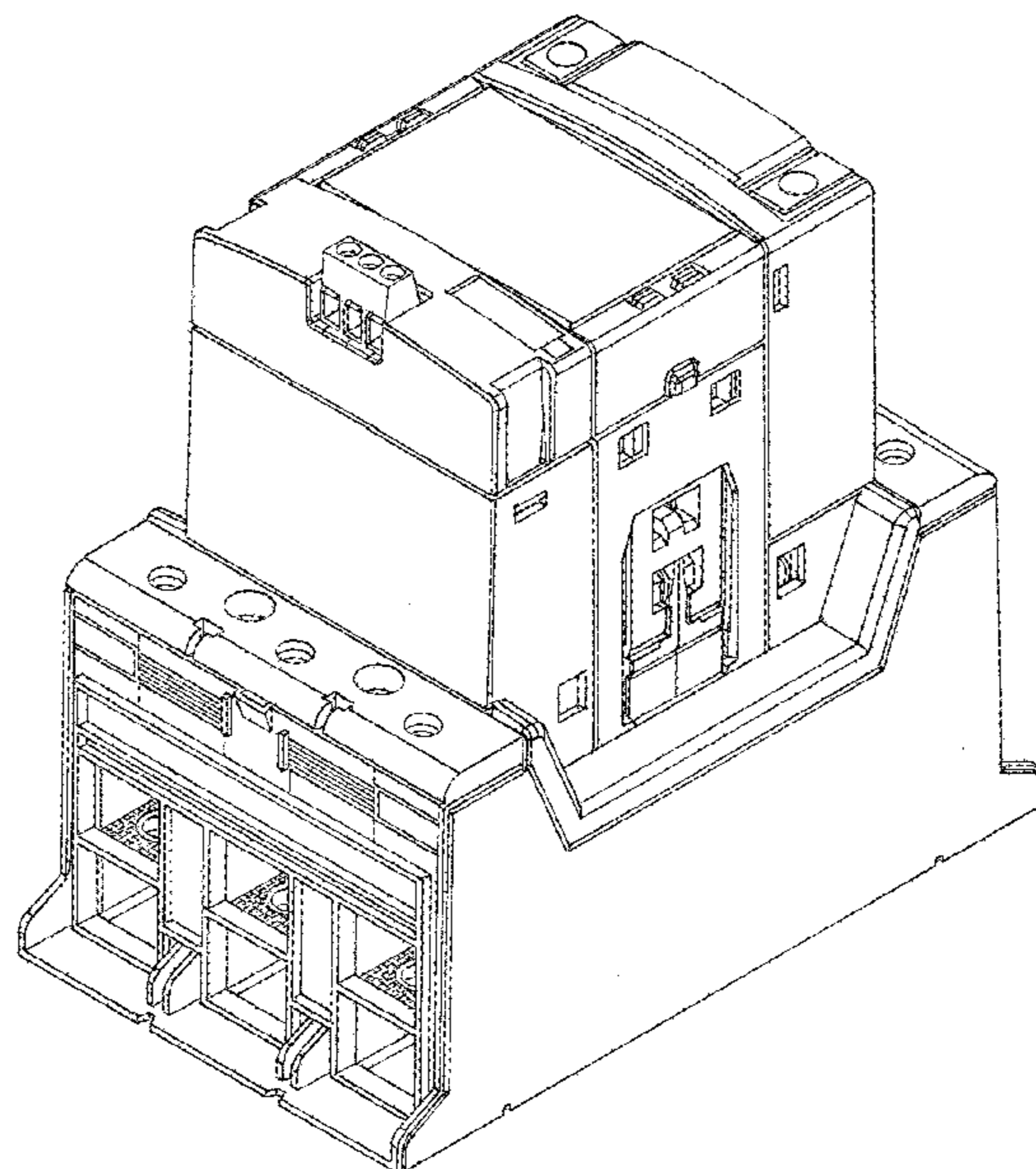
(57) **CLAIM**

The ornamental design for a contactor, as shown and described.

DESCRIPTION

FIG. 1 is a front right side isometric view of a contactor in accordance with the new design;
FIG. 2 is a front elevational view thereof;
FIG. 3 is a rear elevational view thereof;
FIG. 4 is a top plan view thereof;
FIG. 5 is a right side elevational view thereof; and,
FIG. 6 is a left side elevational view thereof.
The broken line portion of the figure drawings is included to show portions of the article that form no part of the claimed design.

1 Claim, 6 Drawing Sheets



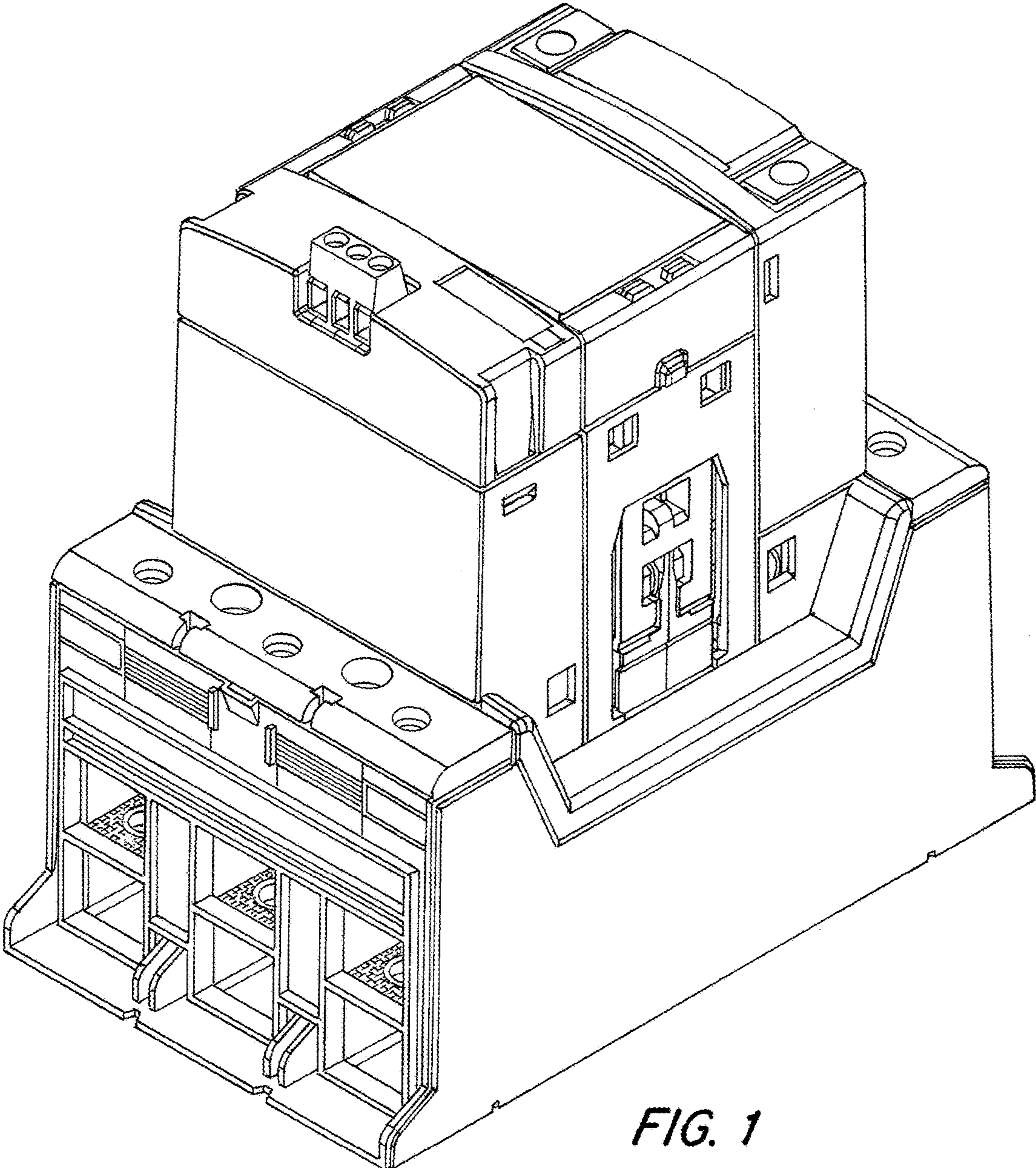


FIG. 1

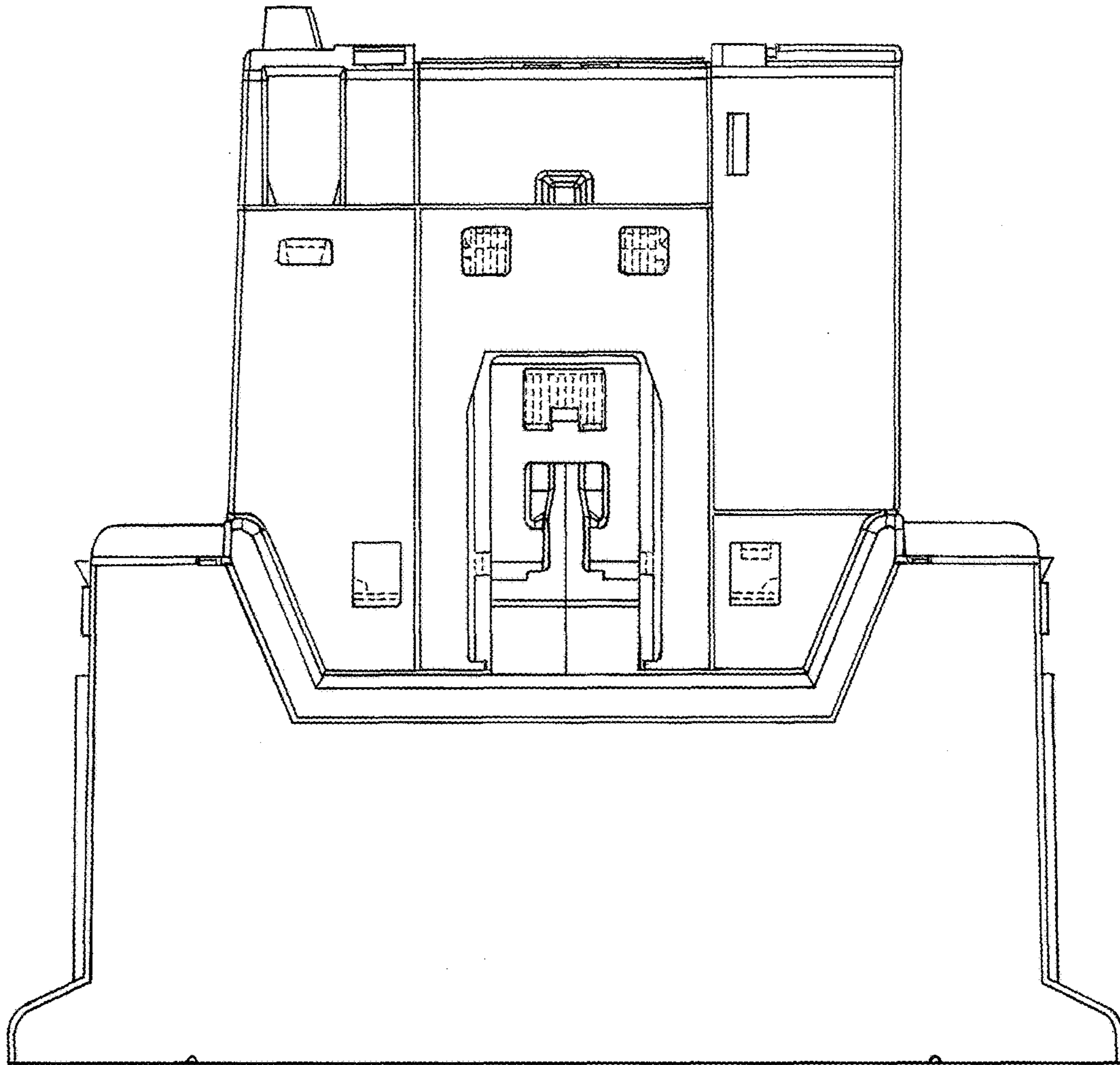


FIG. 2

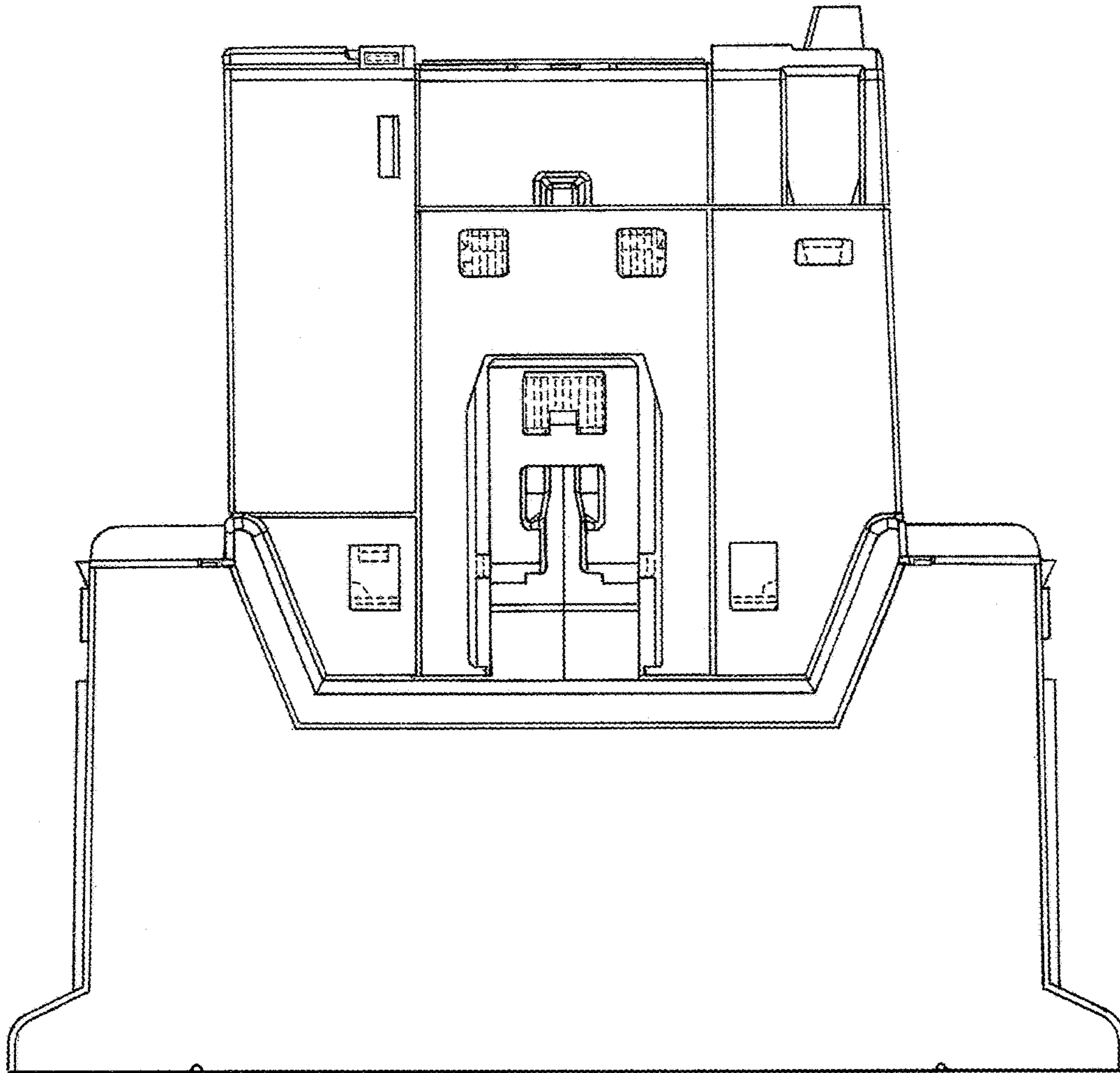


FIG. 3

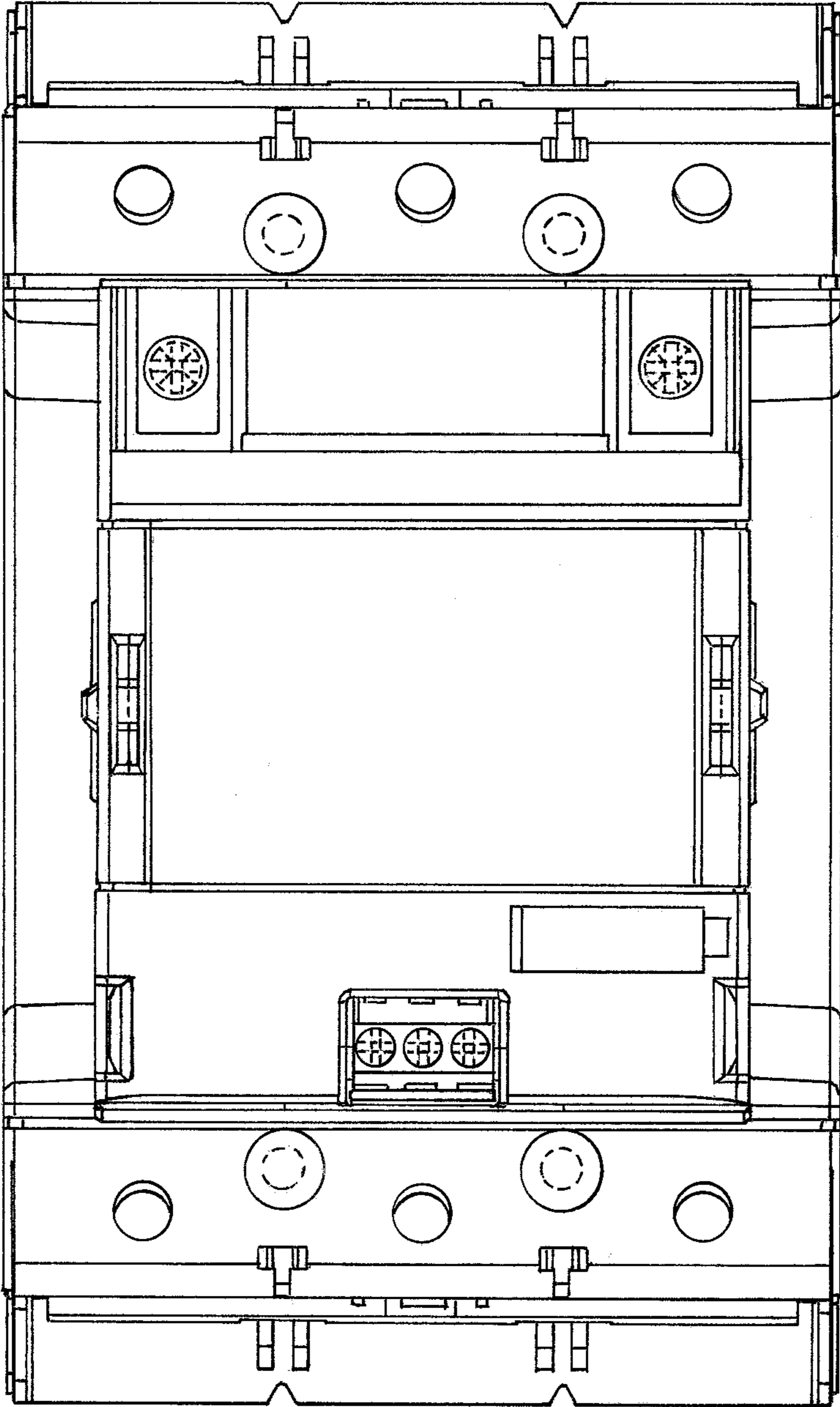


FIG. 4

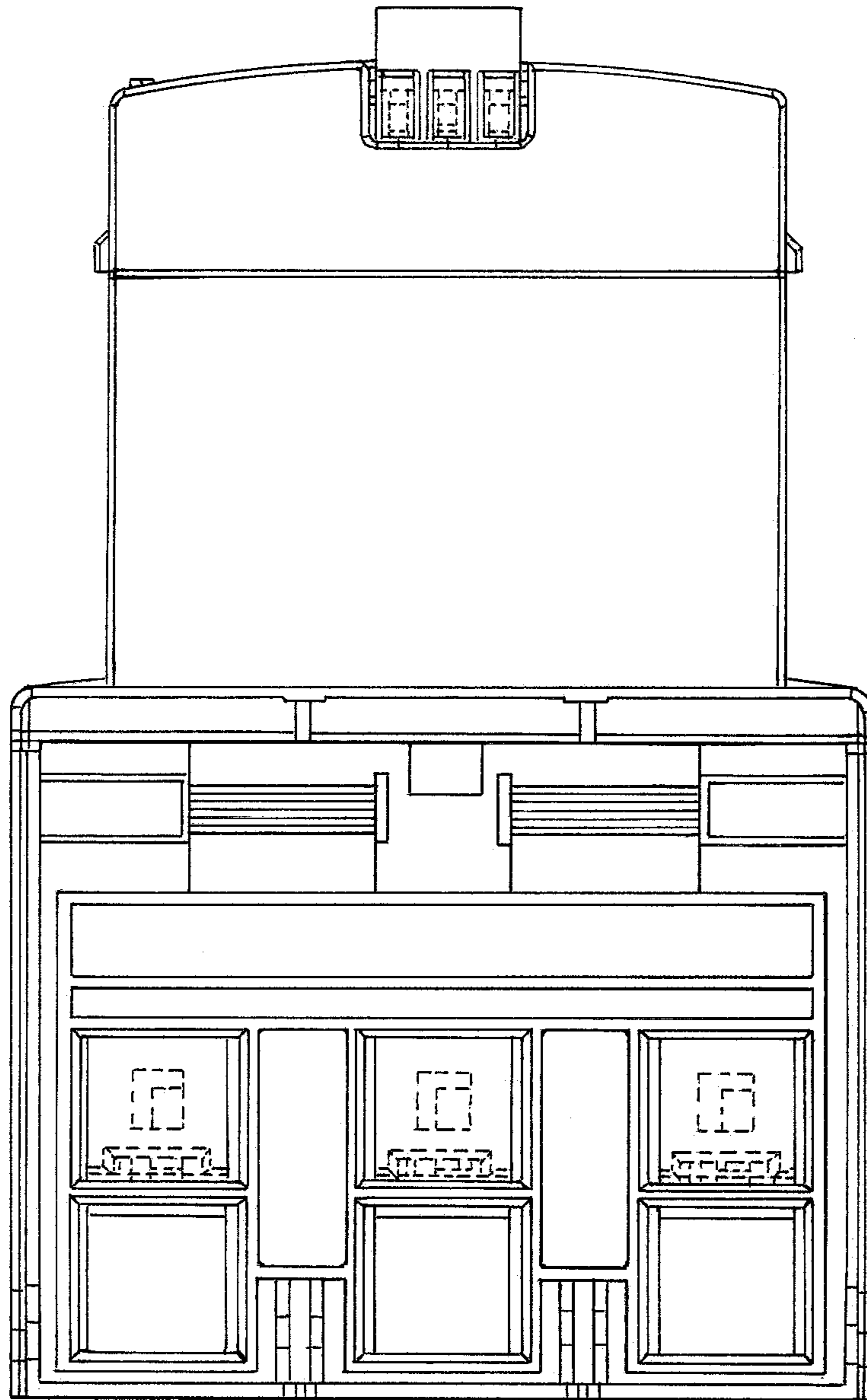


FIG. 5

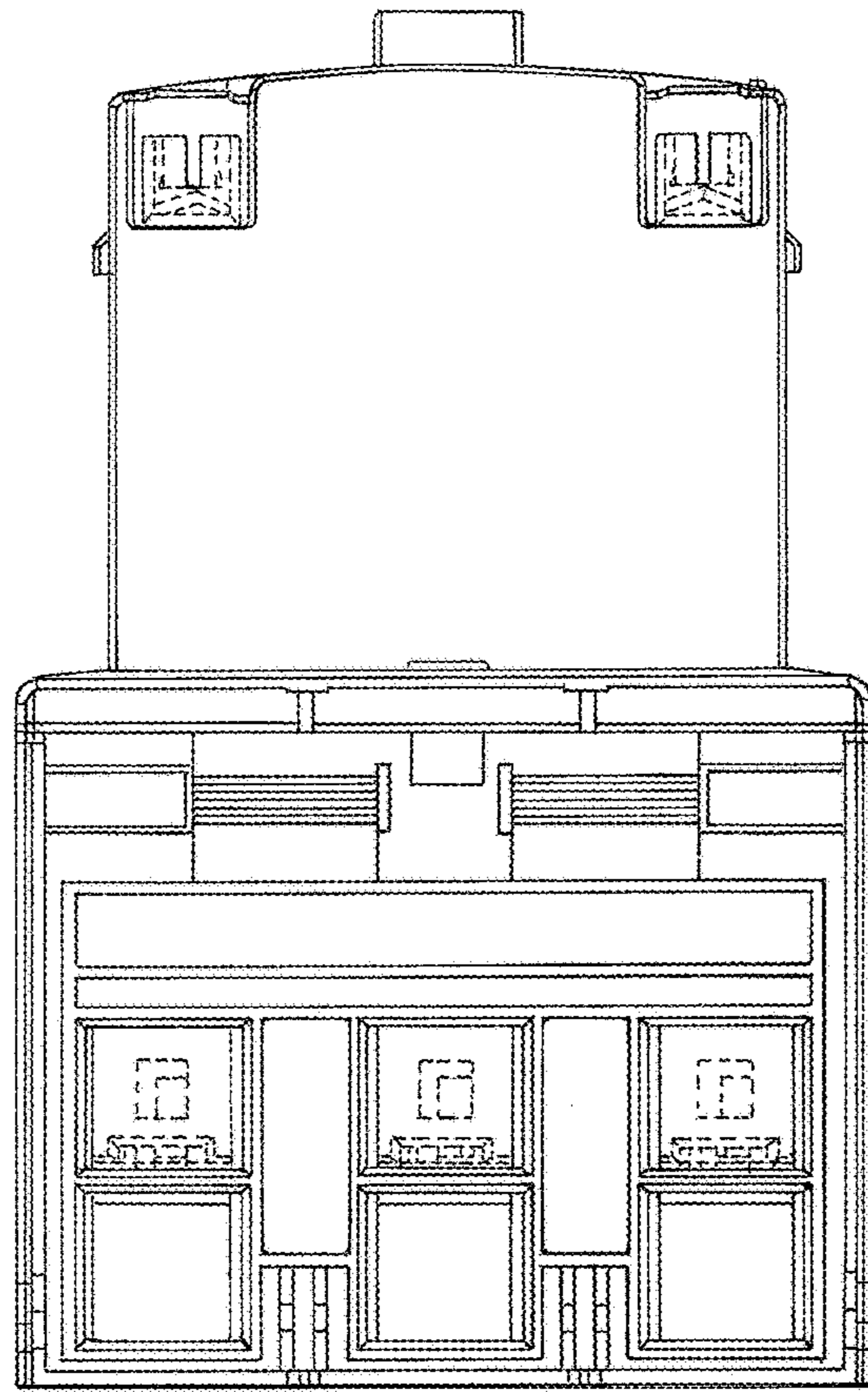


FIG. 6