



US00D788711S

(12) **United States Design Patent**
Bennett et al.

(10) **Patent No.:** **US D788,711 S**

(45) **Date of Patent:** **** Jun. 6, 2017**

- (54) **VEHICLE WIRING CONNECTOR**
- (71) Applicant: **Hopkins Manufacturing Corporation,**
Emporia, KS (US)
- (72) Inventors: **Kyle M. Bennett,** Emporia, KS (US);
Vicki Shuss, Emporia, KS (US)
- (73) Assignee: **Hopkins Manufacturing Corporation,**
Emporia, KS (US)

7,404,591 B2 * 7/2008 Bender H01R 13/005
296/164
D587,653 S * 3/2009 Barnes, Jr. D13/138.1
D620,453 S * 7/2010 Corless D13/154

* cited by examiner

Primary Examiner — Daniel Bui

(74) *Attorney, Agent, or Firm* — Bond Schoeneck &
King, PLLC; George McGuire

(**) Term: **14 Years**

(57) **CLAIM**

(21) Appl. No.: **29/520,954**

The ornamental design for a vehicle wiring connector, as shown and described.

(22) Filed: **Mar. 19, 2015**

DESCRIPTION

(51) **LOC (10) Cl.** **13-03**

(52) **U.S. Cl.**
USPC **D13/147; D13/154**

(58) **Field of Classification Search**
USPC D13/110, 133, 146, 147, 154, 184, 199;
280/420, 422
See application file for complete search history.

FIG. 1 is a rear, top and left side perspective view of a vehicle wiring connector showing our new design;
FIG. 2 is a top plan view thereof;
FIG. 3 is a bottom plan view thereof;
FIG. 4 is a right side elevation view thereof;
FIG. 5 is a left side elevation view thereof;
FIG. 6 is a front elevation view thereof; and,
FIG. 7 is a rear elevation view thereof.

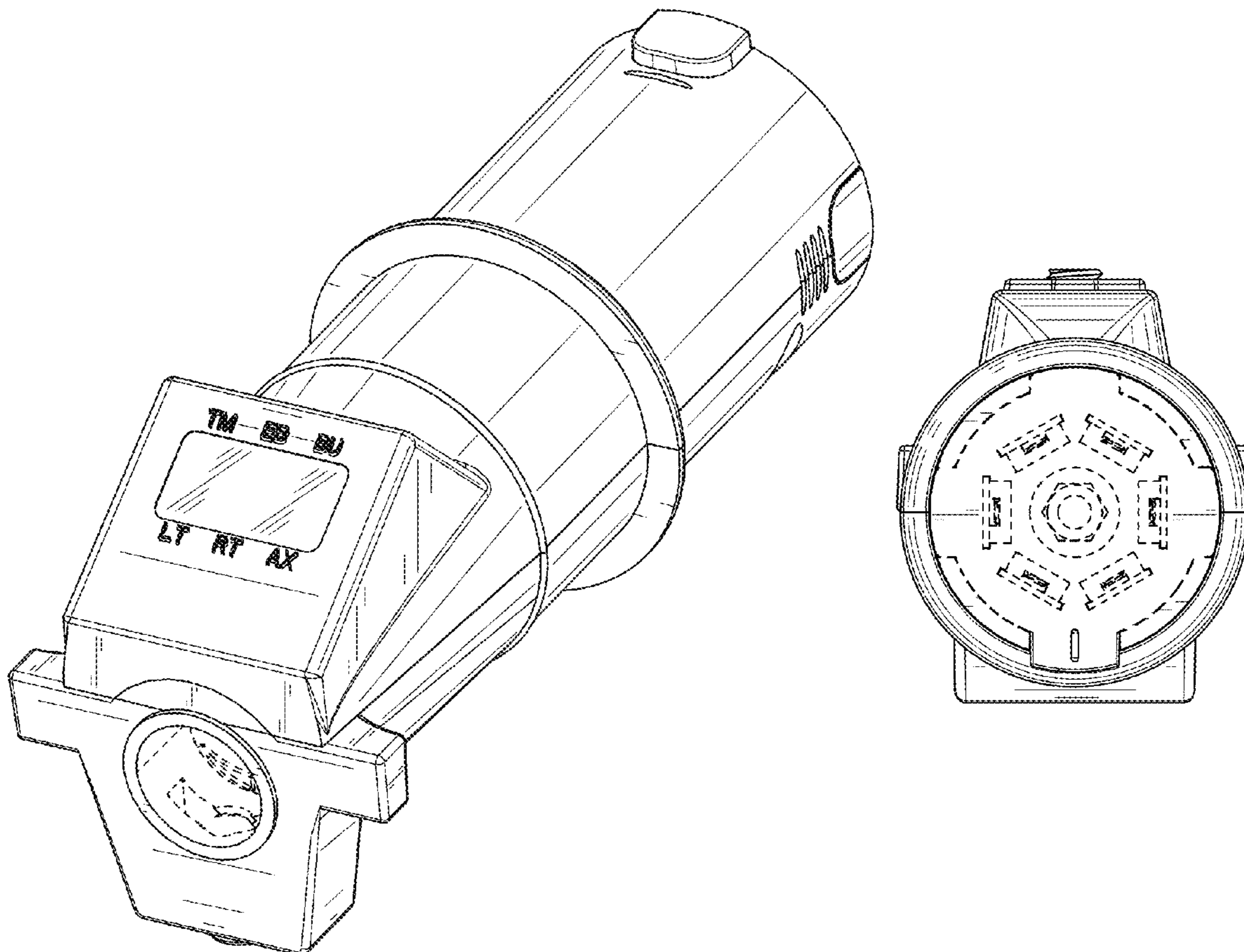
The broken line shown in the drawing view represents unclaimed environment only and forms no part of the claimed design.

(56) **References Cited**

U.S. PATENT DOCUMENTS

D413,100 S * 8/1999 Nakazawa D13/146
7,331,792 B2 * 2/2008 Cummings H01R 13/5213
439/166

1 Claim, 6 Drawing Sheets



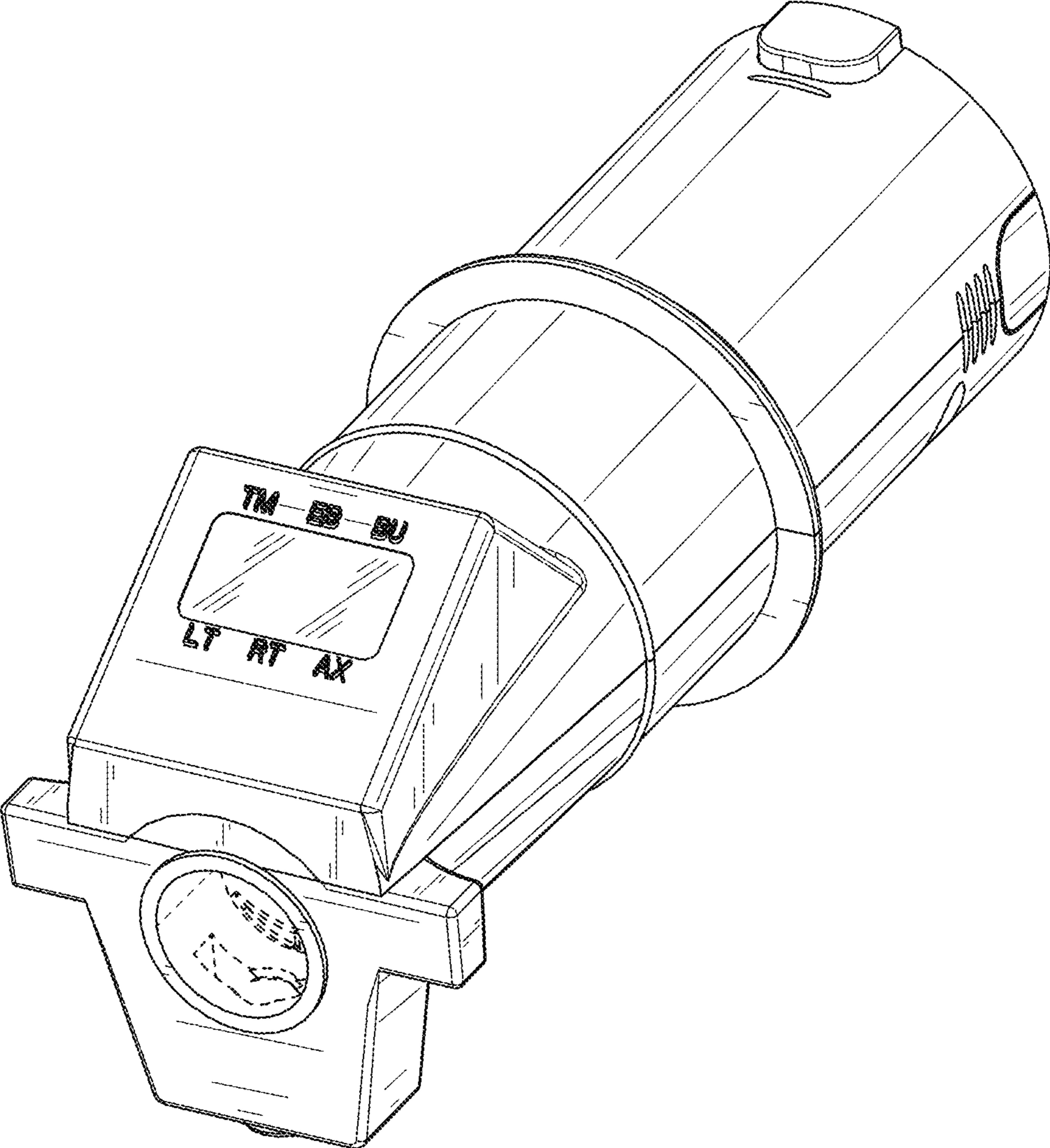


FIG. 1

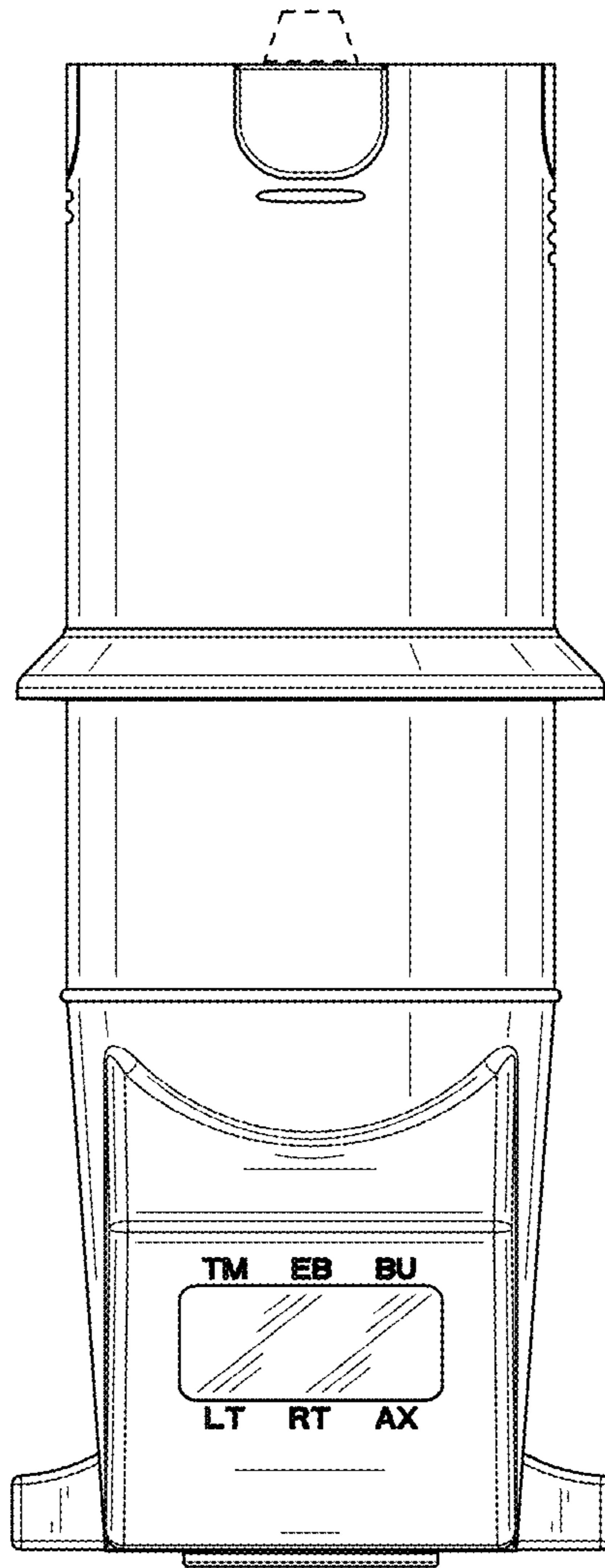


FIG. 2

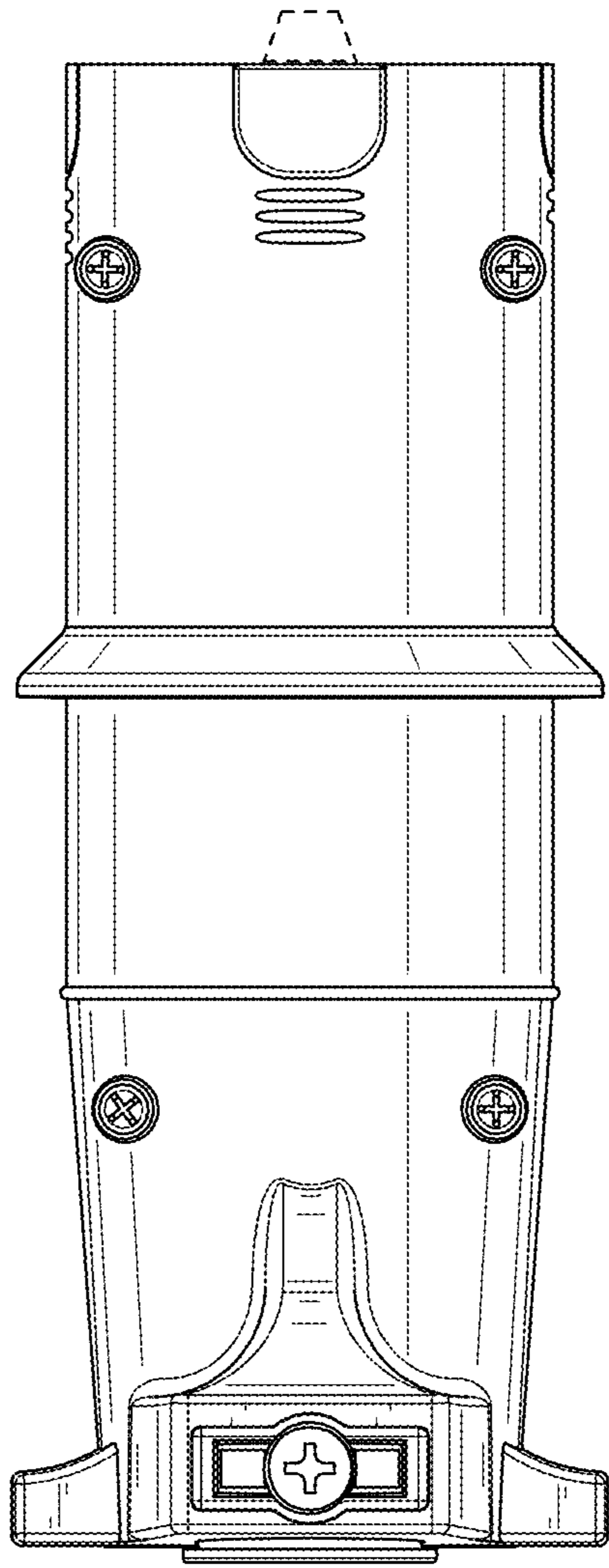


FIG. 3

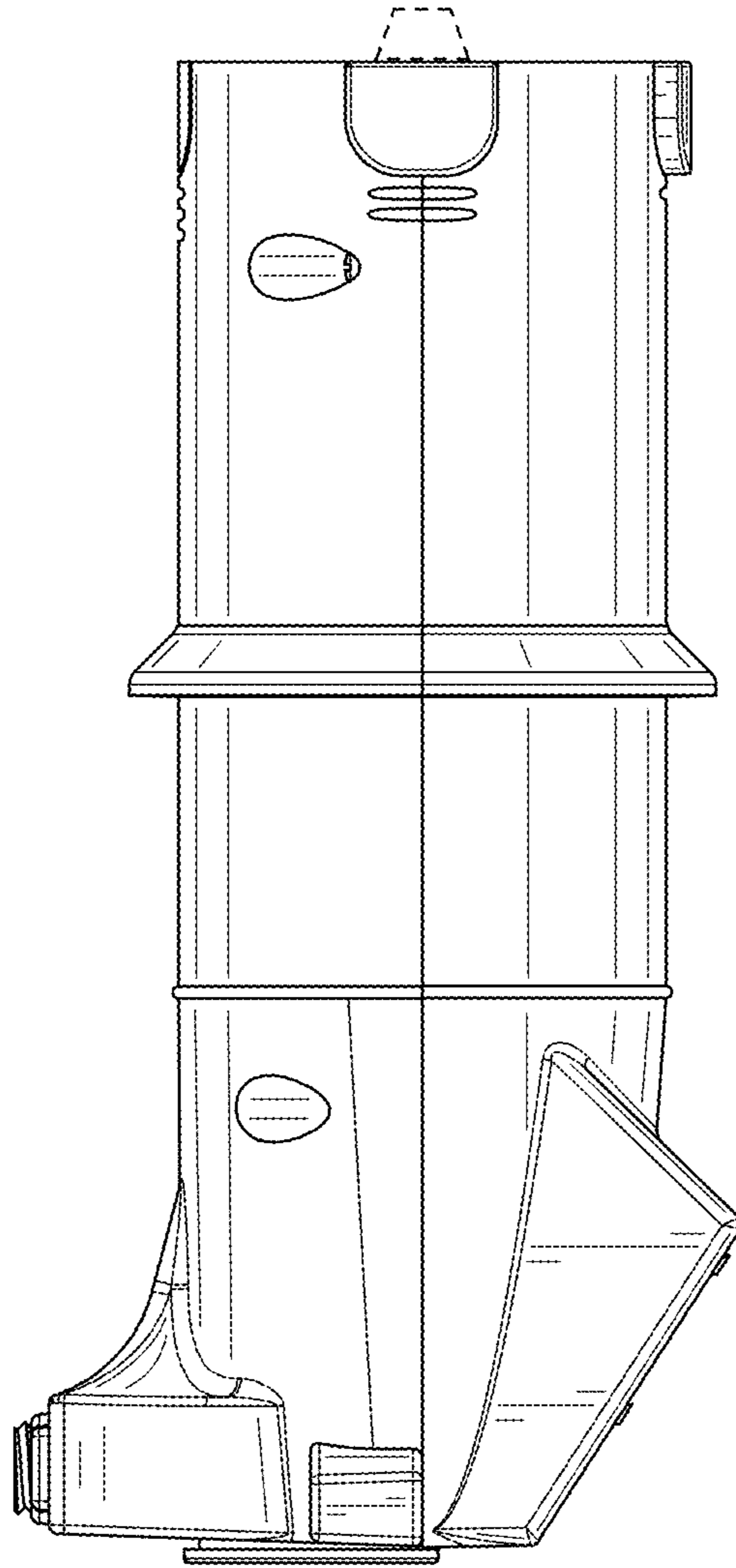


FIG. 4

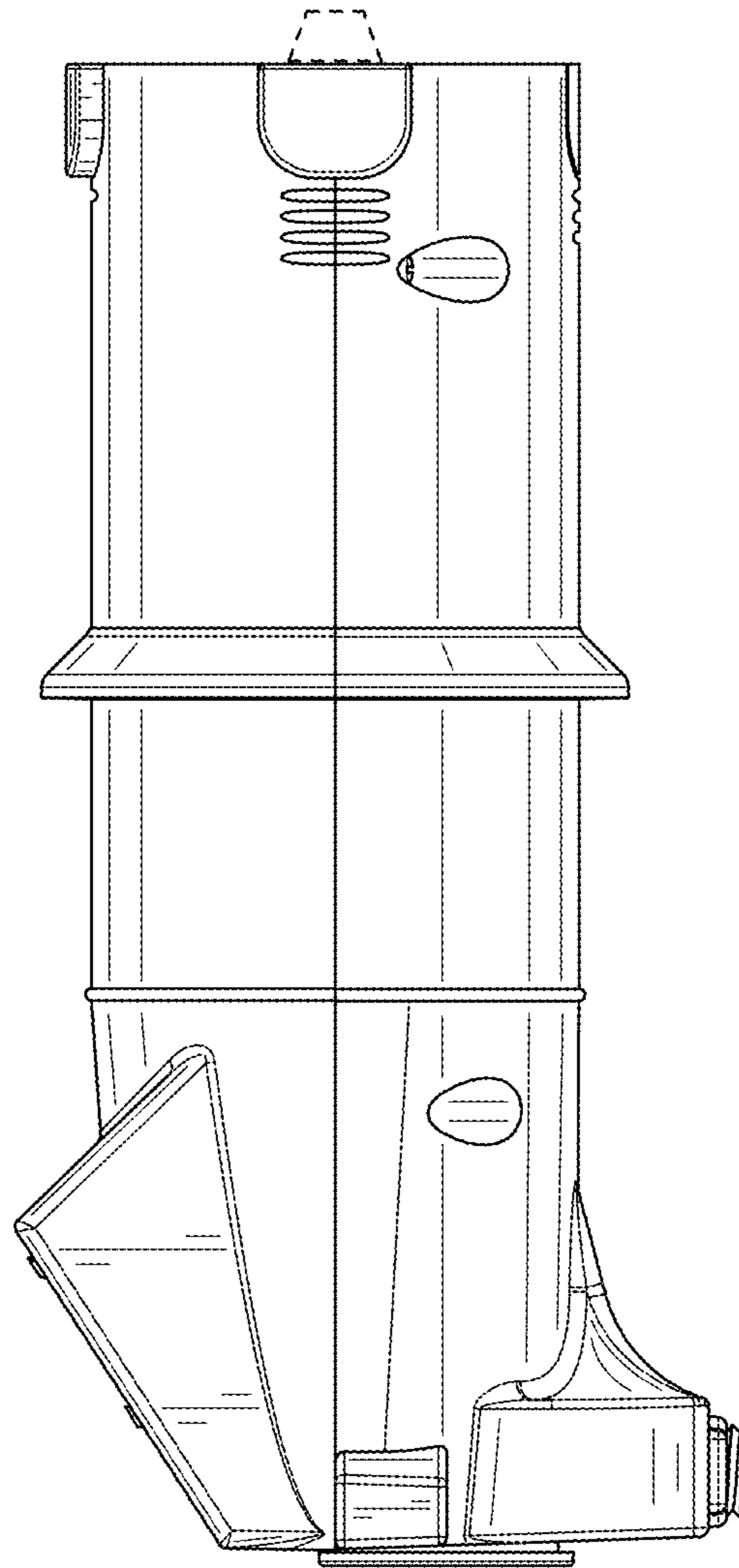


FIG. 5

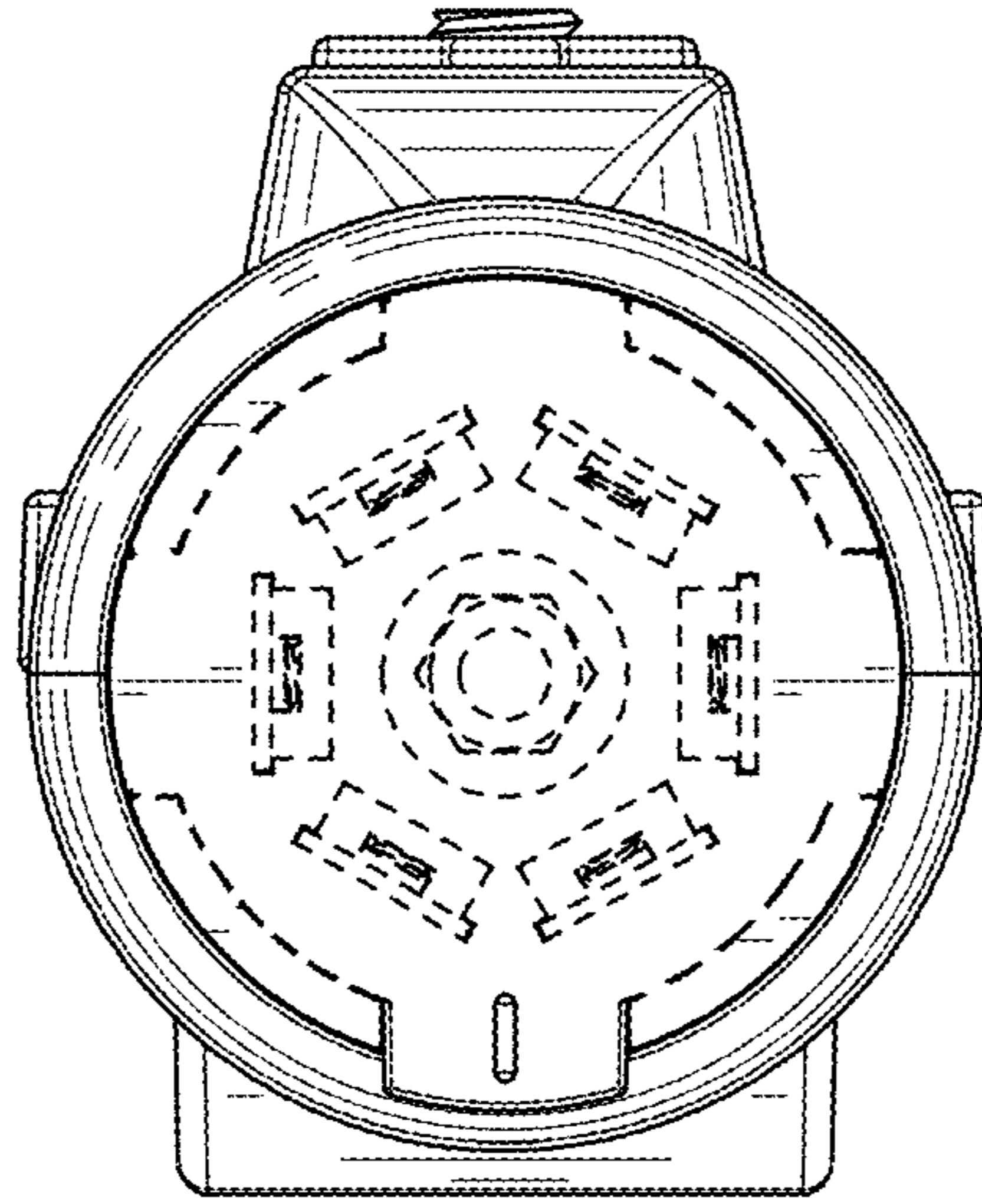


FIG. 6

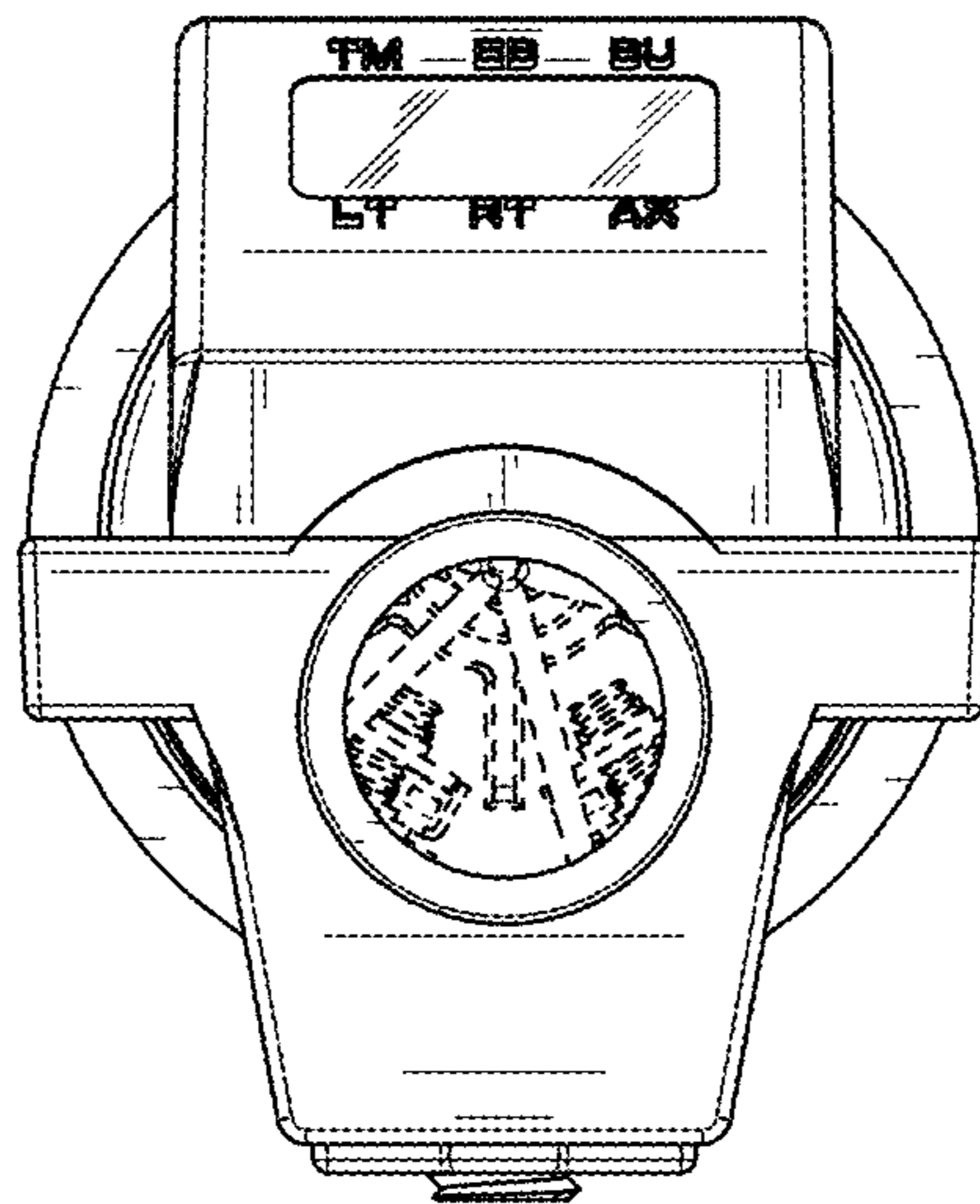


FIG. 7