



US00D788710S

(12) **United States Design Patent**
Suica et al.

(10) **Patent No.:** **US D788,710 S**
(45) **Date of Patent:** **** Jun. 6, 2017**

(54) **ELECTRICAL RECEPTACLE TESTER**

(71) Applicant: **Hubbell Incorporated**, Shelton, CT (US)

(72) Inventors: **Samuel Thomas Suica**, Las Vegas, NV (US); **Thomas L Scanzillo**, Monroe, CT (US)

(73) Assignee: **Hubbell Incorporated**, Shelton, CT (US)

(**) Term: **15 Years**

(21) Appl. No.: **29/578,404**

(22) Filed: **Sep. 21, 2016**

Related U.S. Application Data

(62) Division of application No. 29/504,596, filed on Oct. 7, 2014, now Pat. No. Des. 770,385.

(51) **LOC (10) Cl.** **13-03**

(52) **U.S. Cl.**
USPC **D13/146**

(58) **Field of Classification Search**
USPC D13/133, 146, 147, 154, 184, 199
CPC H01R 13/58; H01R 13/62; G01R 19/145;
G01R 31/04; G01R 31/041
See application file for complete search history.

(56) **References Cited**

U.S. PATENT DOCUMENTS

3,945,702 A 3/1976 Poliak
4,003,622 A 1/1977 Gartland

4,929,887 A	5/1990	Robitaille et al.	
D371,112 S	6/1996	Anthony	
D372,221 S	7/1996	Anthony	
5,641,310 A	6/1997	Tiberio	
6,462,555 B1	10/2002	Schaefer	
6,982,558 B2	1/2006	Bryndzia et al.	
7,030,624 B1	4/2006	Love	
7,248,056 B2	7/2007	Waldschmidt	
D615,496 S *	5/2010	Mennekes	D13/133
D667,792 S	9/2012	Angel	
D702,183 S	4/2014	Benedict	
D770,385 S *	11/2016	Suica	D13/146
2003/0114042 A1	6/2003	Mortun	
2016/0097802 A1 *	4/2016	Suica	G01R 31/041 324/508

* cited by examiner

Primary Examiner — Daniel Bui

(74) *Attorney, Agent, or Firm* — Wissing Miller LLP

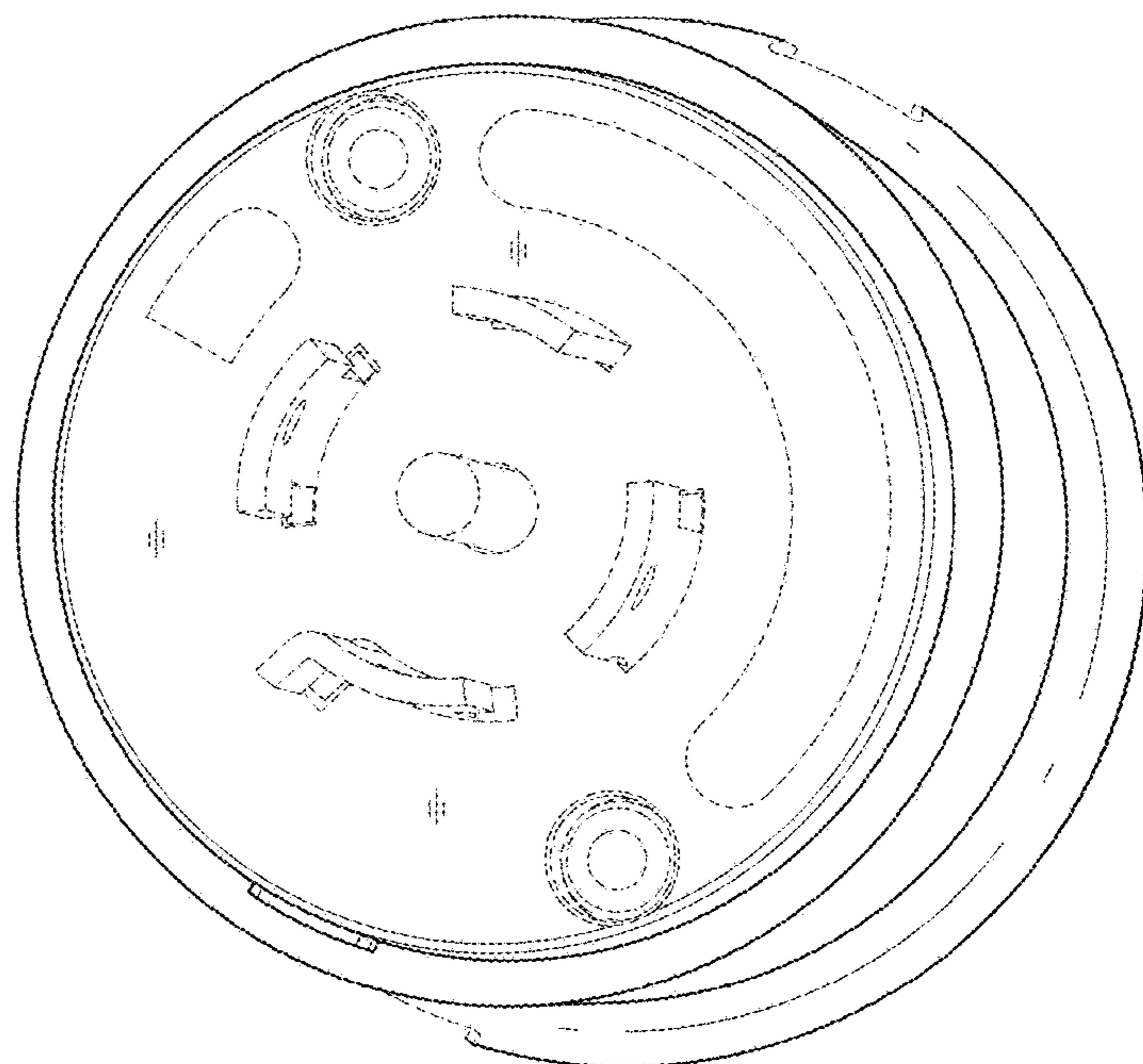
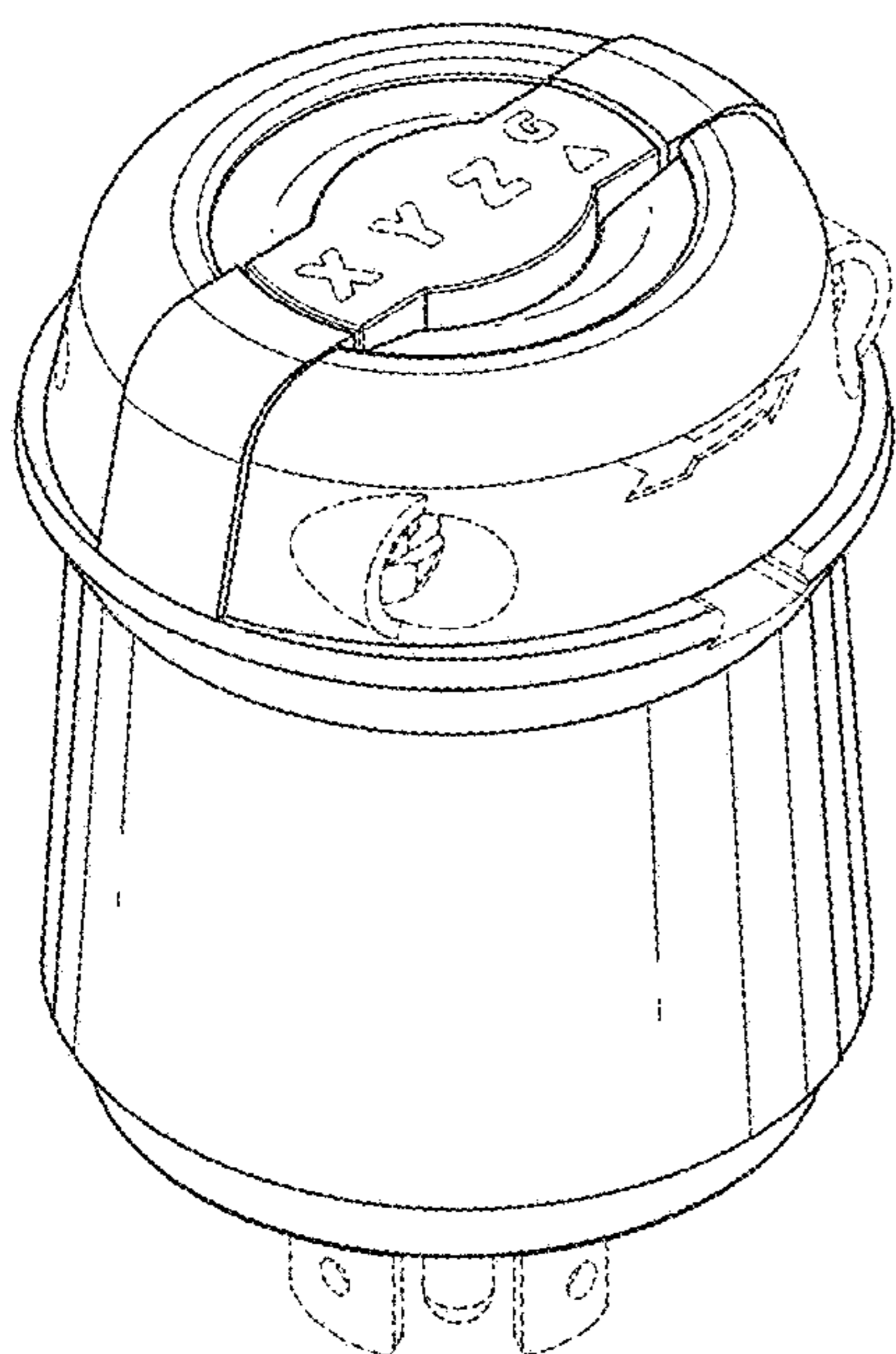
(57) **CLAIM**

The ornamental design for an electrical receptacle tester, as shown and described.

DESCRIPTION

FIG. 1 is a top, first side perspective view for an electrical receptacle tester in accordance with the present invention; FIG. 2 is a top, second side perspective view thereof; FIG. 3 is a side elevational view of the first side thereof; FIG. 4 is a bottom perspective view thereof; and, FIG. 5 is a top view thereof shown in FIG. 1. The broken line in the drawing views represents unclaimed environment and forms no part of the claimed design.

1 Claim, 3 Drawing Sheets



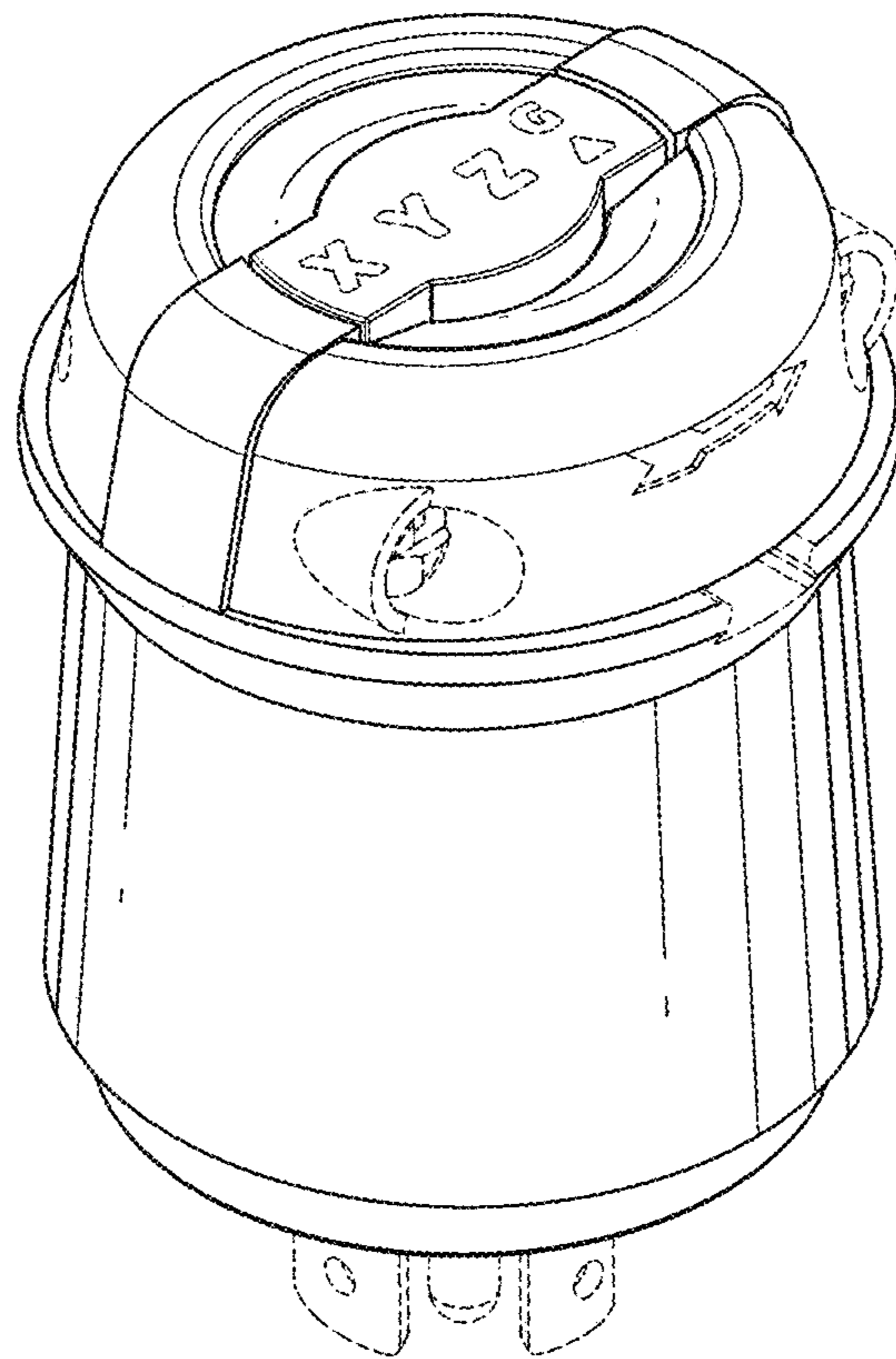


Fig. 1

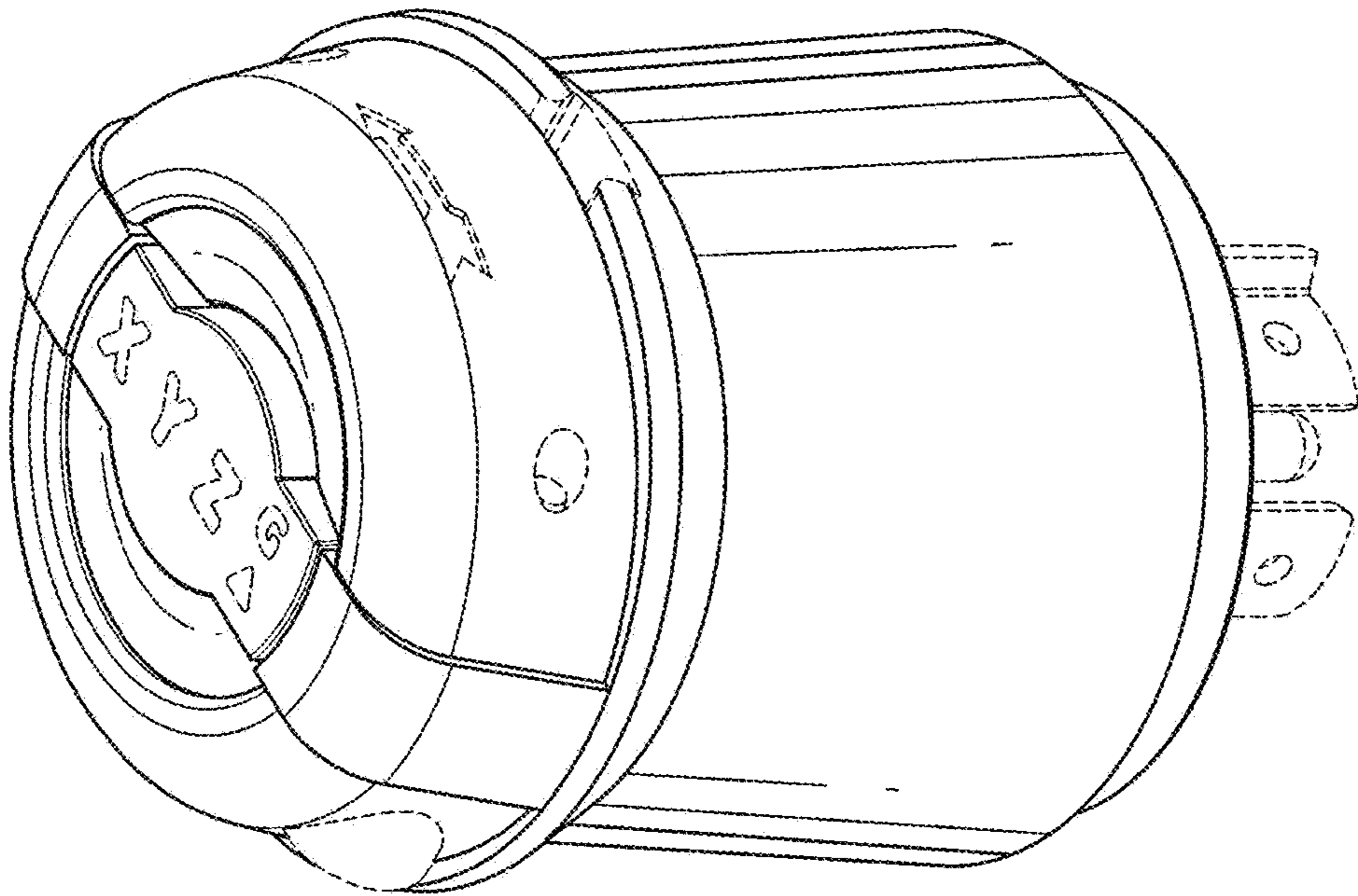


Fig. 2

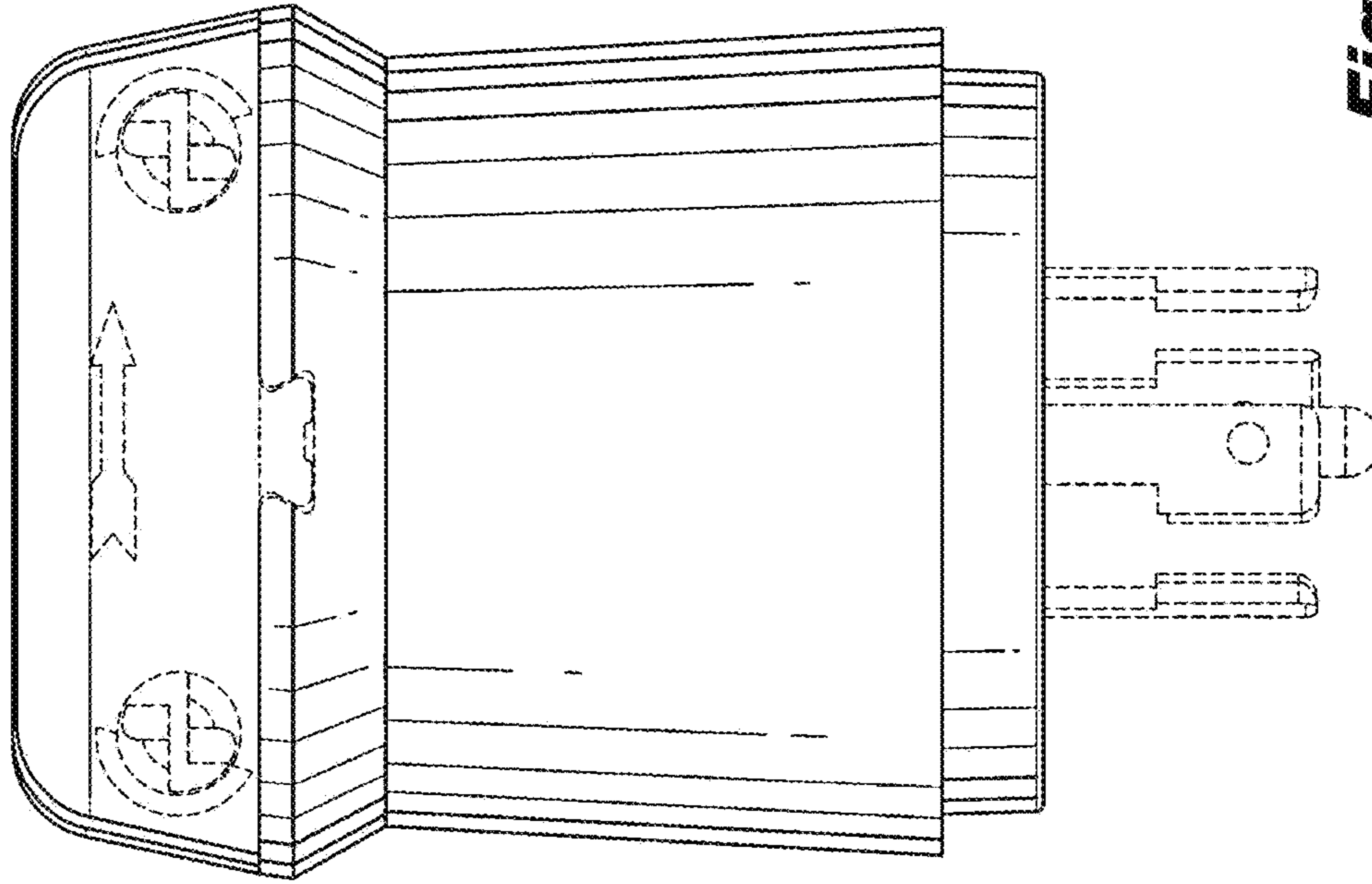


Fig. 3

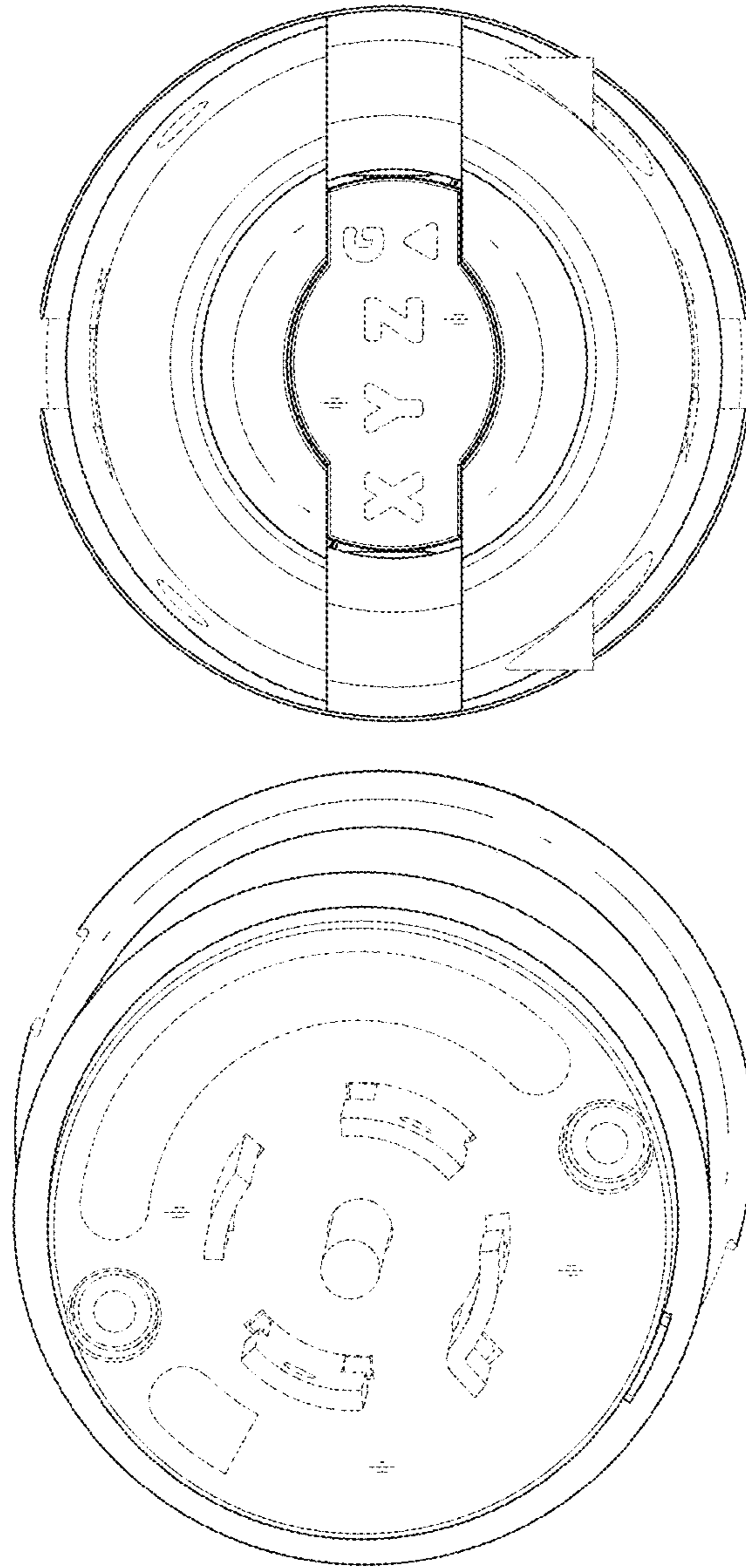


Fig. 5

Fig. 4