



US00D788709S

(12) **United States Design Patent** (10) **Patent No.:** **US D788,709 S**
Yeo (45) **Date of Patent:** **** Jun. 6, 2017**

(54) **POWER PLUG ADAPTER FOR IOT**

(71) Applicant: **DAWON DNS CO., LTD.**, Gwangju (KR)

(72) Inventor: **Un Nam Yeo**, Uiwang-si (KR)

(73) Assignee: **DAWON DNS CO., LTD.**, Gwangju (KR)

(**) Term: **15 Years**

(21) Appl. No.: **29/553,285**

(22) Filed: **Jan. 29, 2016**

(51) **LOC (10) Cl.** **13-03**

(52) **U.S. Cl.**
USPC **D13/137.2**

(58) **Field of Classification Search**
USPC D13/103, 107, 110, 133, 137.1, 137.3,
D13/137.4, 139.1, 139.2, 139.3, 139.4,
D13/139.8, 154, 158, 177, 162, 138.1,
D13/138.2, 139.6, 160, 156, 146, 137.2,
D13/108; D10/78; D8/350, 353;
D14/314

CPC A61M 5/1413; A61M 5/162; A61M 5/31;
A61M 39/06; B65D 33/14; H01H 83/02;
H01H 83/04; H02H 3/162; H02H 3/33;
H01R 13/665; H01R 13/7135

See application file for complete search history.

(56) **References Cited**

U.S. PATENT DOCUMENTS

D511,468 S * 11/2005 Aromin D10/78
D511,469 S * 11/2005 Aromin D10/78
D610,092 S * 2/2010 Jimenez D13/137.2
D636,336 S * 4/2011 Clark D13/137.2
D664,093 S * 7/2012 Andre D13/138.1
D670,161 S * 11/2012 Birgers D9/415
D671,489 S * 11/2012 Zaslavsky D13/110
D673,909 S * 1/2013 Zaslavsky D13/110
D682,211 S * 5/2013 Nelson D13/137.2
D683,314 S * 5/2013 Andre D13/108

D687,778 S * 8/2013 Utz D13/133
D687,779 S * 8/2013 Zaroni D13/139.1
D692,830 S * 11/2013 Junko D13/139.3
D693,769 S * 11/2013 Picard D13/137.1
D694,713 S * 12/2013 Yeo D13/137.1
D701,836 S * 4/2014 Byrne H01R 13/52
D13/139.1
D702,183 S * 4/2014 Benedict D13/110
D702,636 S * 4/2014 Benedict D13/110
D705,733 S * 5/2014 Zaslavsky D13/137.2
D706,220 S * 6/2014 Zaslavsky D13/137.2
D711,823 S * 8/2014 Akana D13/110
D726,653 S * 4/2015 Kourtis D13/137.1

(Continued)

OTHER PUBLICATIONS

Power Bright Adapter as shown on Amazon.com, Reviewed on Apr. 5, 2012 https://www.amazon.com/Bright-3-Prong-Travel-Outlet-Adapter/dp/B000PQL7AQ/ref=sr_1_10?s=lawn-garden&ie=UTF8&qid=1486167748&sr=1-10&keywords=3+prong+adapter.*

(Continued)

Primary Examiner — Eric Goodman
Assistant Examiner — Suzette Murphy
(74) *Attorney, Agent, or Firm* — Revolution IP, PLLC

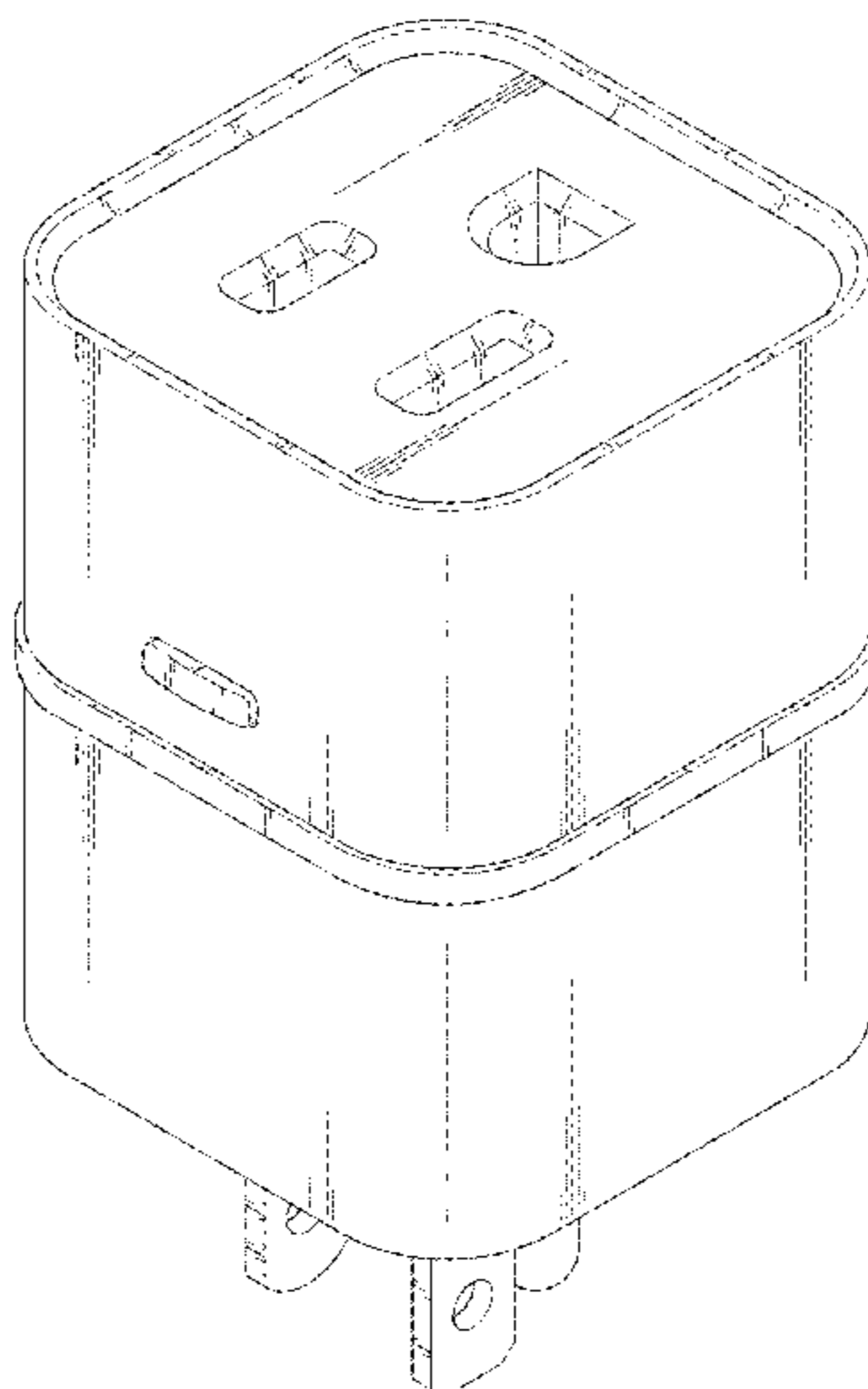
(57) **CLAIM**

The ornamental design for a power plug adapter for IoT, as shown and described.

DESCRIPTION

FIG. 1 is a top perspective view of a power plug adapter for IoT showing my new design;
FIG. 2 is a front view thereof;
FIG. 3 is a back view thereof;
FIG. 4 is a left side view thereof;
FIG. 5 is a right side view thereof;
FIG. 6 is a top view thereof; and,
FIG. 7 is a bottom view thereof.

1 Claim, 7 Drawing Sheets



(56)

References Cited

U.S. PATENT DOCUMENTS

D726,654 S * 4/2015 Jung D13/137.2
D727,853 S * 4/2015 Clayton D13/156
D729,160 S * 5/2015 Levy D13/110
D730,834 S * 6/2015 Byrne D13/139.1
D734,259 S * 7/2015 Cepass D13/110
D734,260 S * 7/2015 Cepass D13/110
D737,208 S * 8/2015 Faul D13/139.1
D741,267 S * 10/2015 Byrne D13/139.1
D741,796 S * 10/2015 Robinson D13/103
D744,952 S * 12/2015 Ni D13/139.3
D750,022 S * 2/2016 Lin D13/137.2
D755,127 S * 5/2016 Wong D13/137.2
D758,312 S * 6/2016 Lin D13/137.2
D759,006 S * 6/2016 Akana D14/314
D763,794 S * 8/2016 Akana D13/137.1
D770,976 S * 11/2016 Xu D13/110
D772,160 S * 11/2016 Roberts D13/110
D776,057 S * 1/2017 Burke D13/137.2
2005/0264383 A1 * 12/2005 Zhang H01H 83/04
335/18
2008/0094764 A1 * 4/2008 Zhang H01R 13/665
361/42

OTHER PUBLICATIONS

Crocodile Creek Kids Snack Keeper as shown on Amazon.com,
Date first available Jan. 28, 2014 https://www.amazon.com/Crocodile-Creek-Reusable-Dinosaur-Keeper/dp/B00I3PR3Q8/ref=pd_sim_21_5?_encoding=UTF8&pd_rd_i=B00I3PR3Q8&pd_rd_r=ZXF91XFBH9P9AWVGAAC8&pd_rd_w=VQJBJ&pd_rd_wg=vQjxy&psc=1&refRID=ZXF91XFBH9P9AWVGAAC8Power
Bright Adapter as shown on Amazon.c.*

* cited by examiner

Fig.1

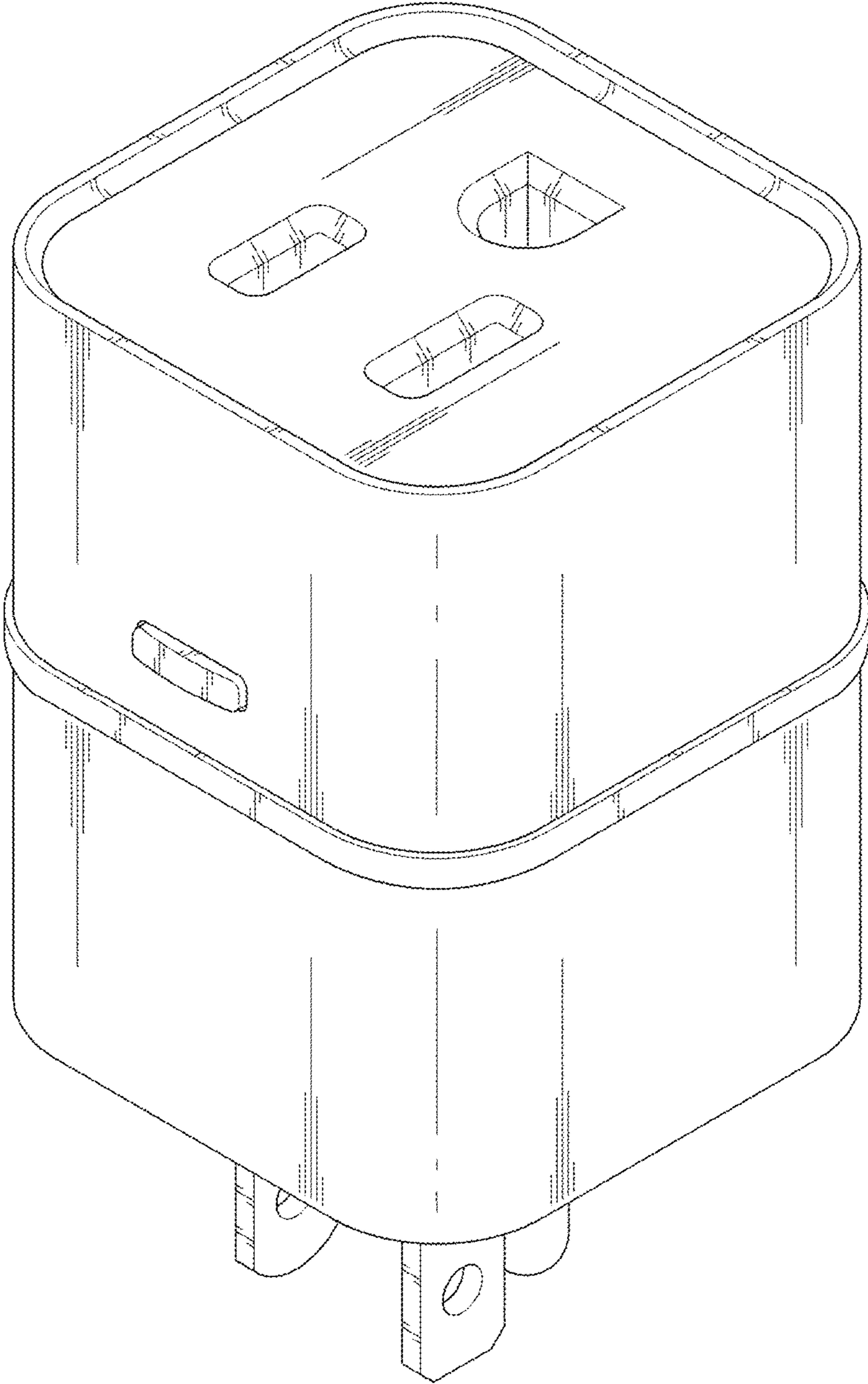


Fig.2

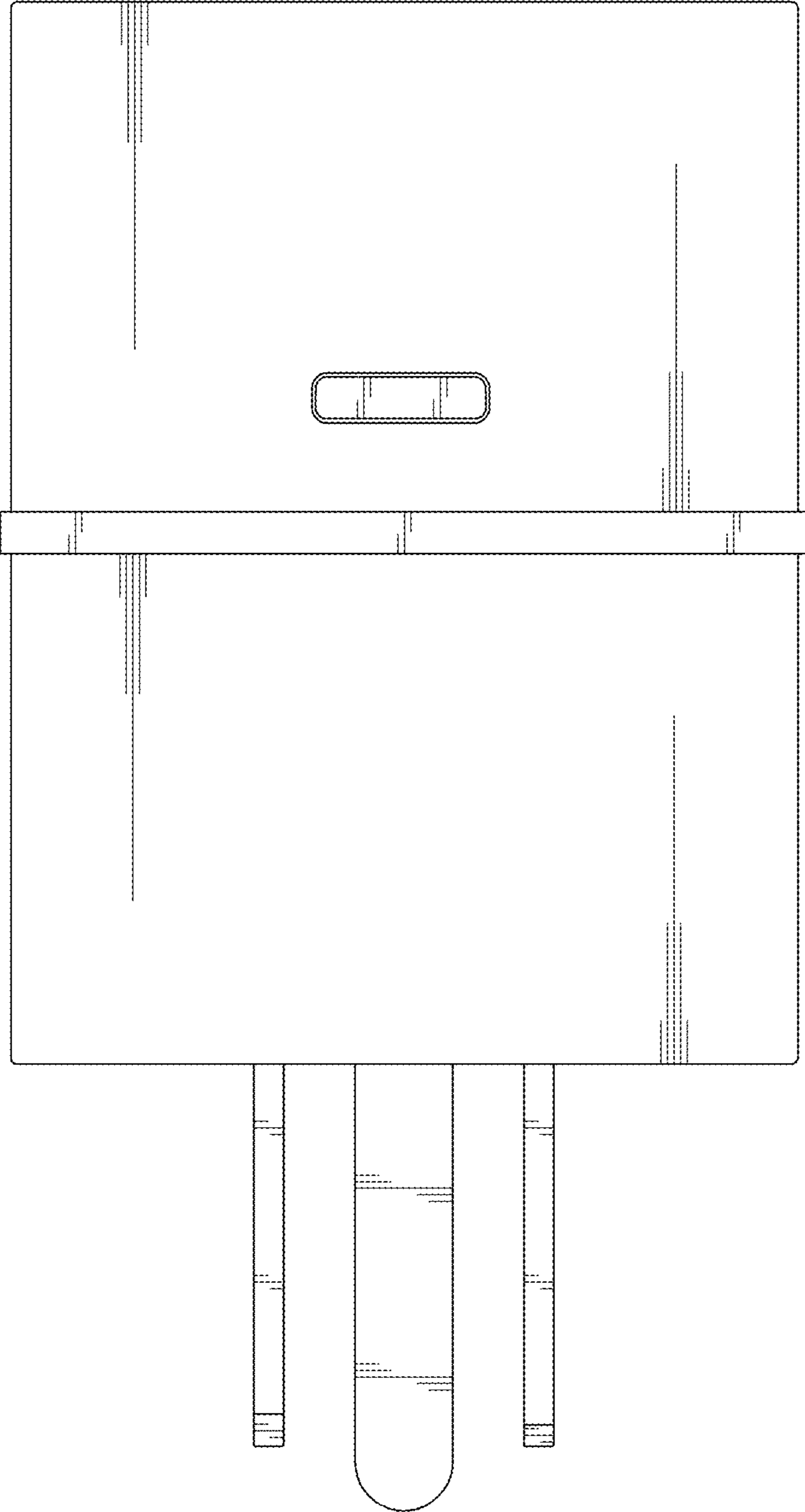


Fig.3

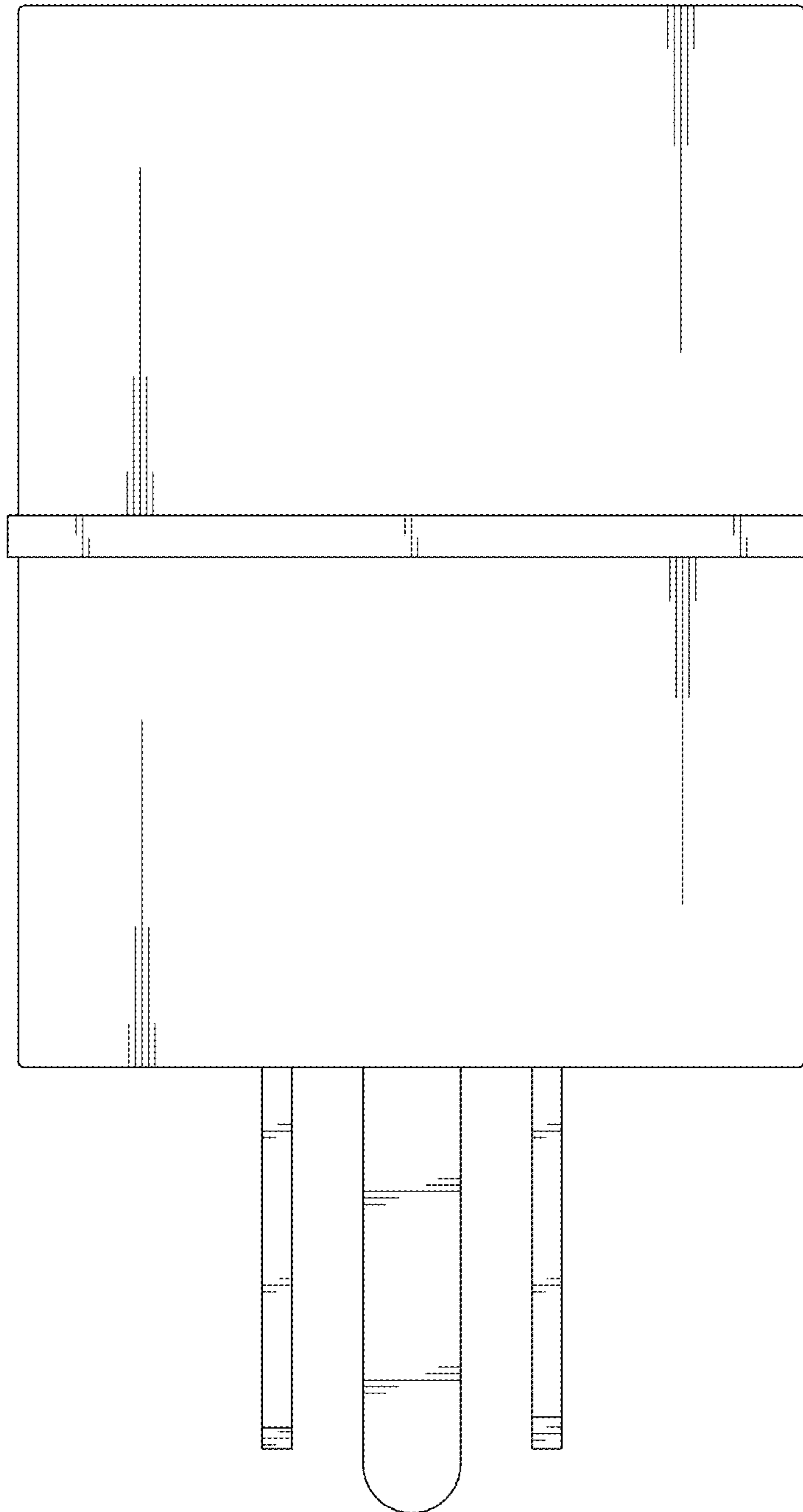


Fig.4

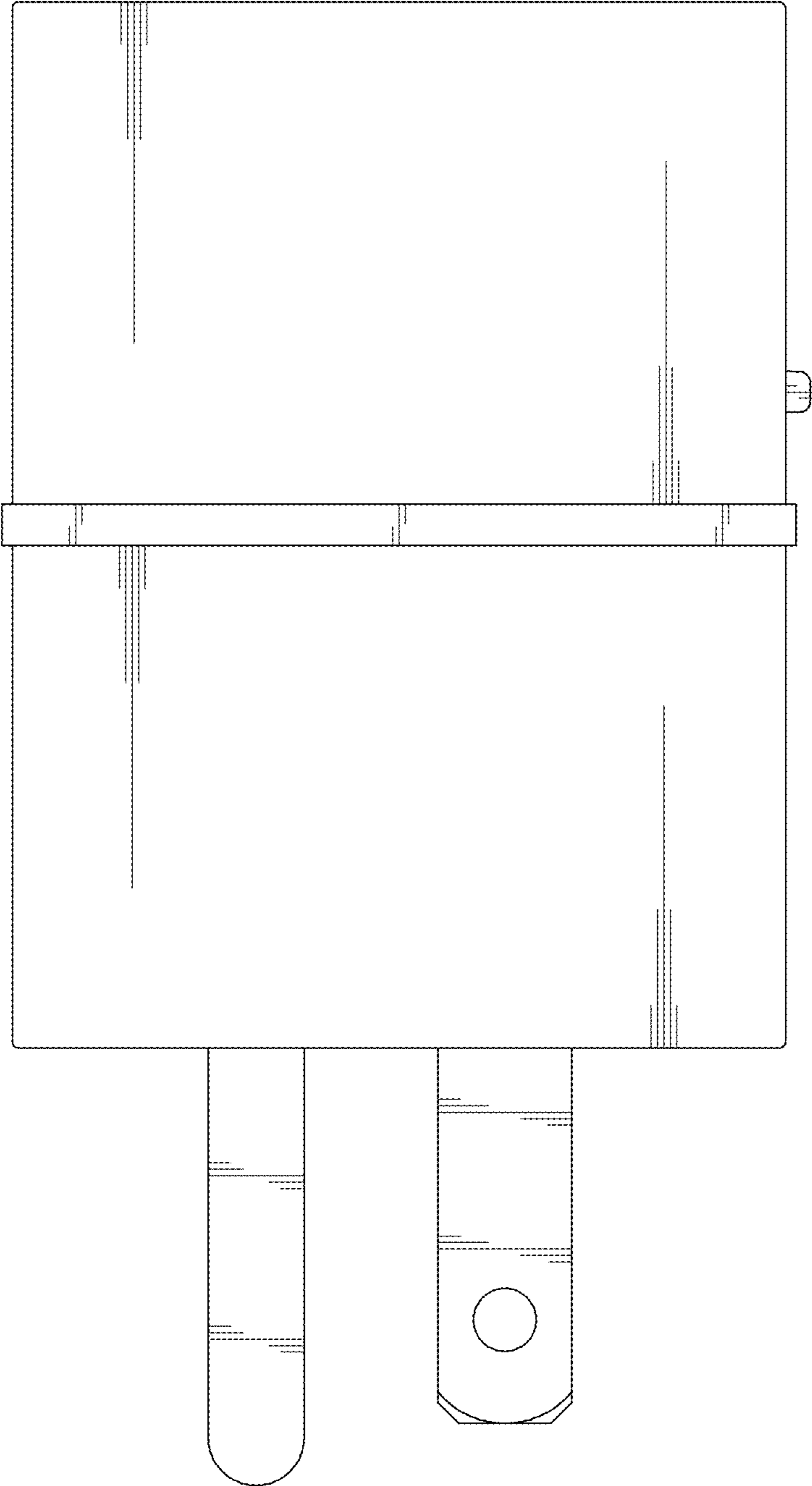


Fig.5

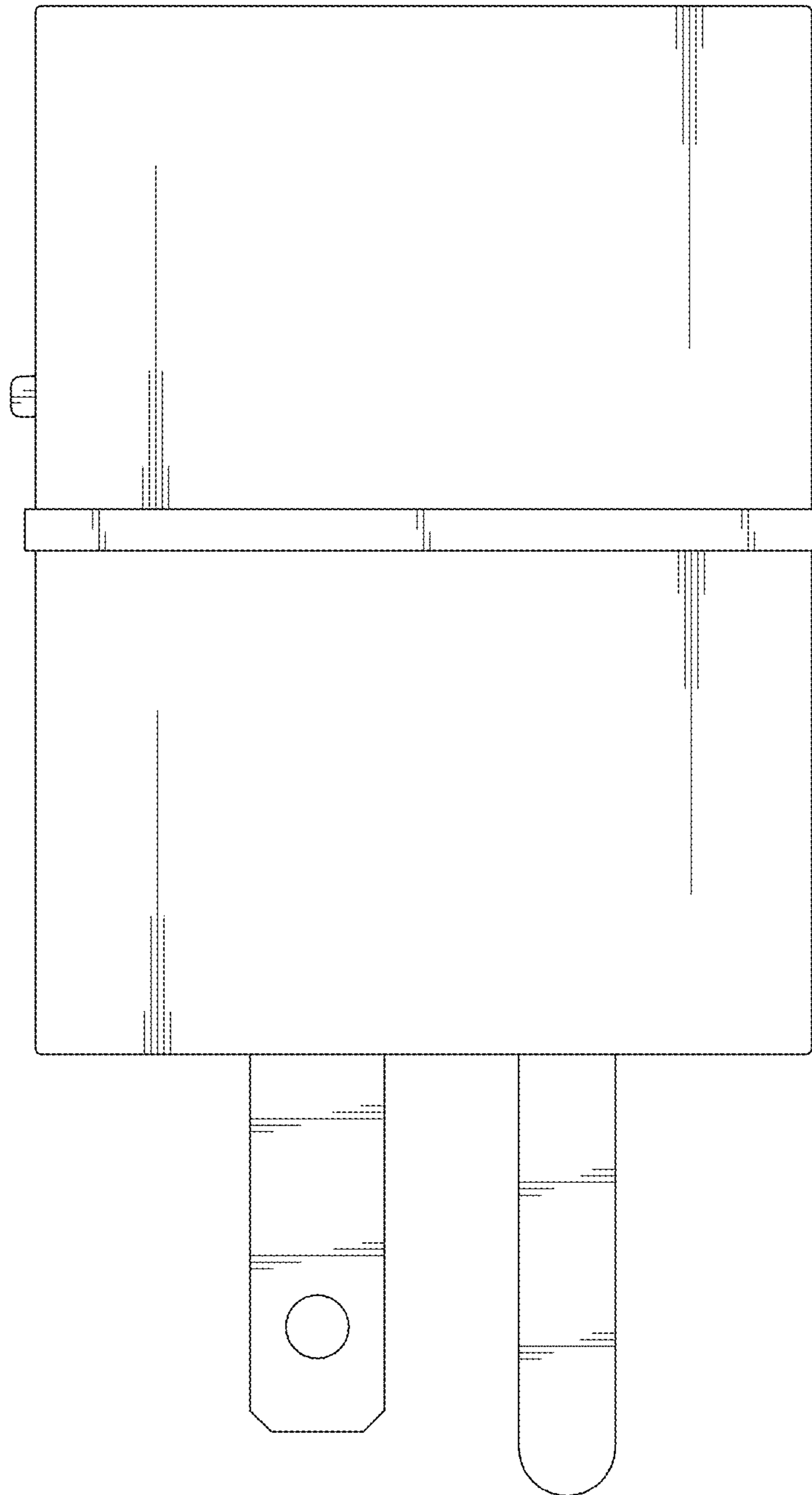


Fig.6

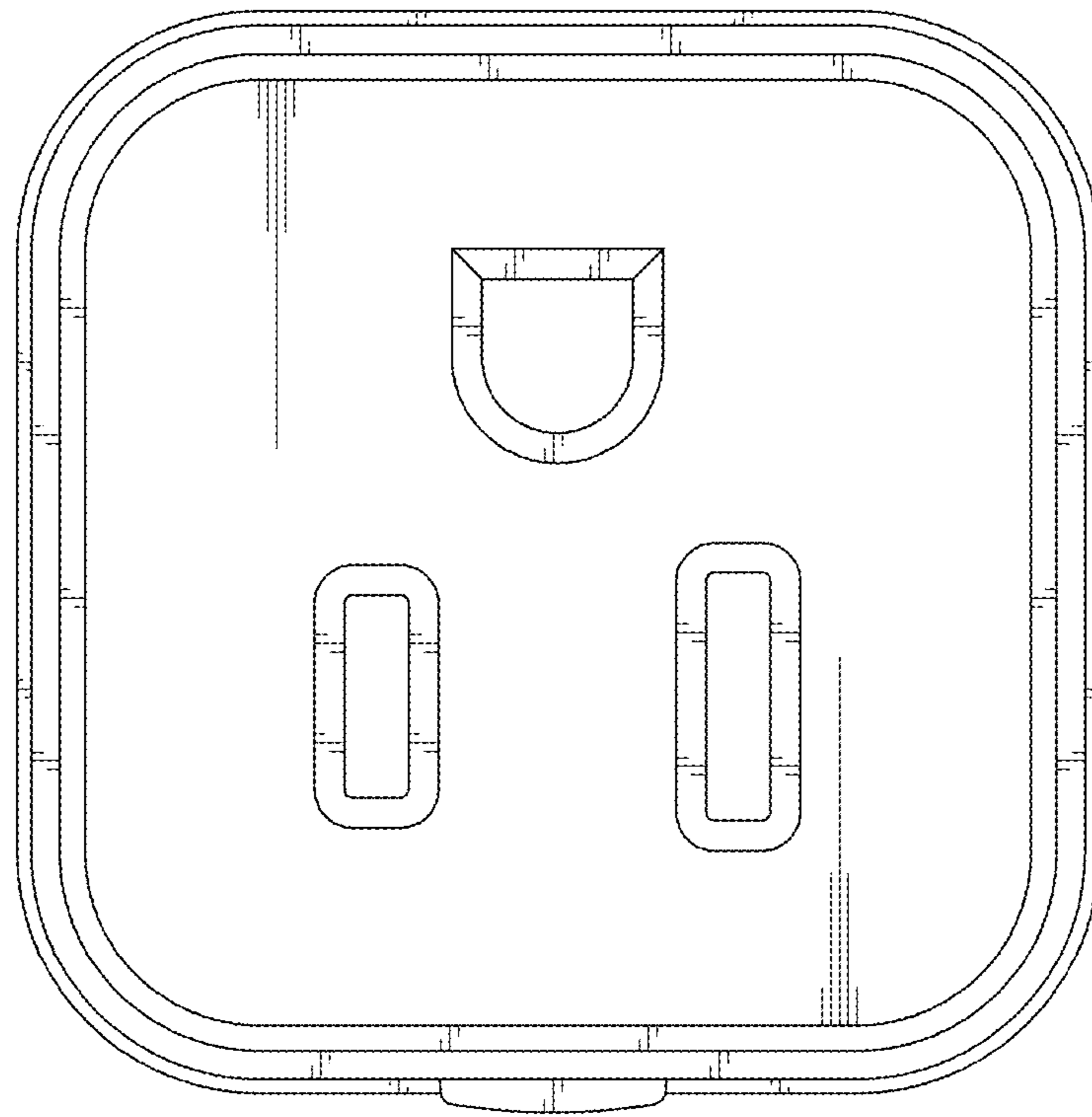


Fig.7

