



US00D788708S

(12) **United States Design Patent**
Vo et al.

(10) **Patent No.:** **US D788,708 S**

(45) **Date of Patent:** **** Jun. 6, 2017**

(54) **CONNECTION DEVICE**

(71) Applicant: **EATON CORPORATION**, Cleveland, OH (US)

(72) Inventors: **Dai Vo**, McDonough, GA (US); **Erik Jeffrey Gouhl**, Fayetteville, GA (US); **Robin Lu**, Dongguan (CN)

(73) Assignee: **EATON CORPORATION**, Cleveland, OH (US)

(**) Term: **15 Years**

(21) Appl. No.: **29/552,283**

(22) Filed: **Jan. 21, 2016**

(51) **LOC (10) Cl.** **13-03**

(52) **U.S. Cl.**
USPC **D13/133**

(58) **Field of Classification Search**
USPC D13/123, 133, 134, 137.1–137.4, 138.1, D13/138.2, 139.1, 139.7, 144–147, 149, D13/155, 156, 173, 184, 199
CPC H01R 9/05; H01R 13/40; H01R 13/50; H01R 13/502; H01R 13/52; H01R 13/521; H01R 13/58; H01R 13/625; H01R 13/63; H01R 13/6315; H01R 13/64; H01R 13/74; H01R 23/00; H01R 9/00; H01R 13/00
See application file for complete search history.

(56) **References Cited**

U.S. PATENT DOCUMENTS

D292,281 S * 10/1987 Poliak D13/138.2
D549,650 S * 8/2007 Russell D13/137.2

D586,758 S * 2/2009 Victor D13/156
D677,626 S * 3/2013 Dobler D13/133
D681,554 S 5/2013 Nelson et al.
D682,211 S 5/2013 Nelson et al.
D698,730 S * 2/2014 Hori D13/146
D704,138 S * 5/2014 Popper D13/133
D714,222 S * 9/2014 Huang D13/144
D730,841 S * 6/2015 Lee D13/139.8
D733,655 S * 7/2015 Sato D13/133

* cited by examiner

Primary Examiner — Thomas Johannes

Assistant Examiner — Shawn T Gingrich

(74) *Attorney, Agent, or Firm* — Eckert Seamans; Brij Agarwal; Grant Coffield

(57) **CLAIM**

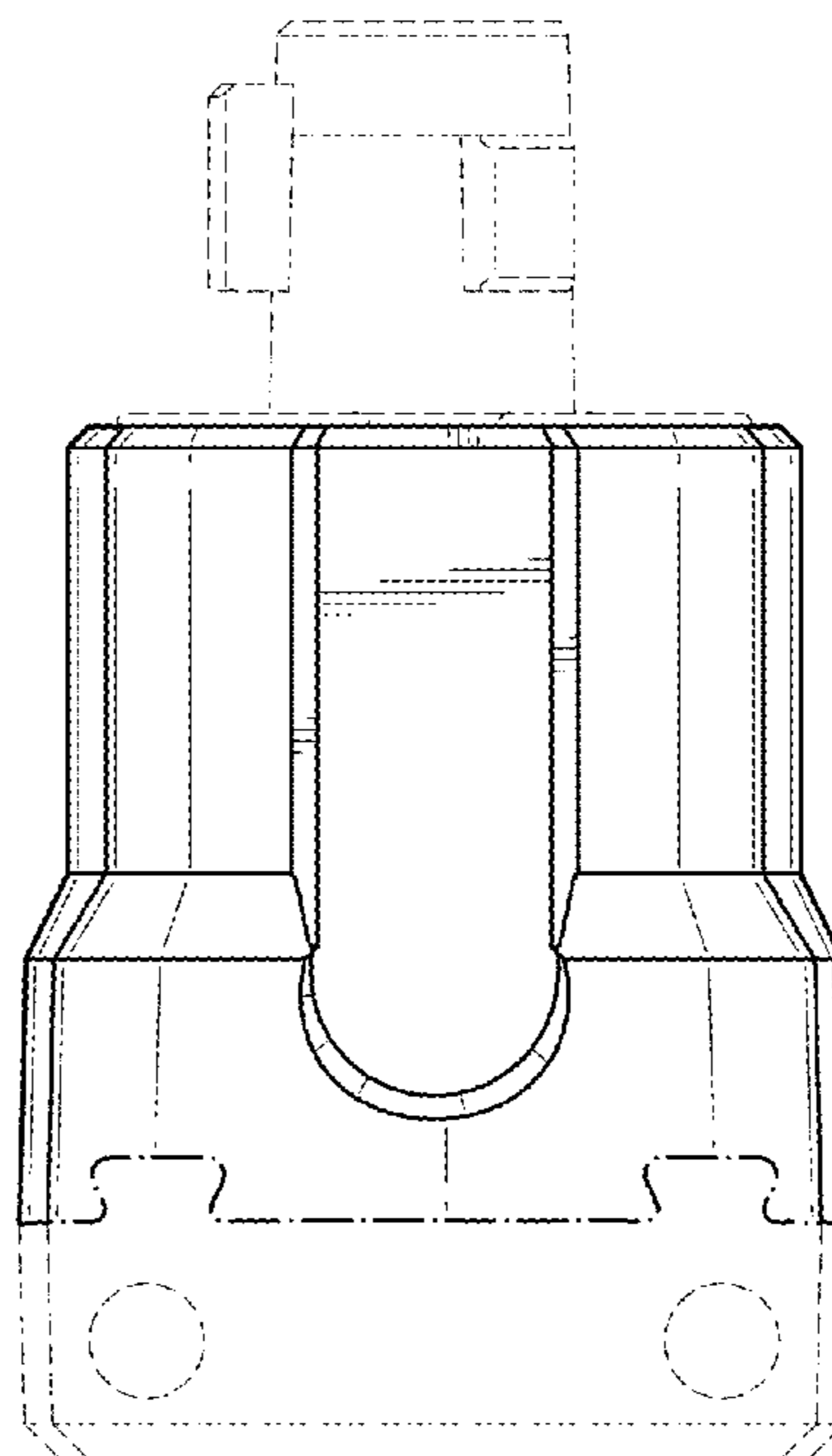
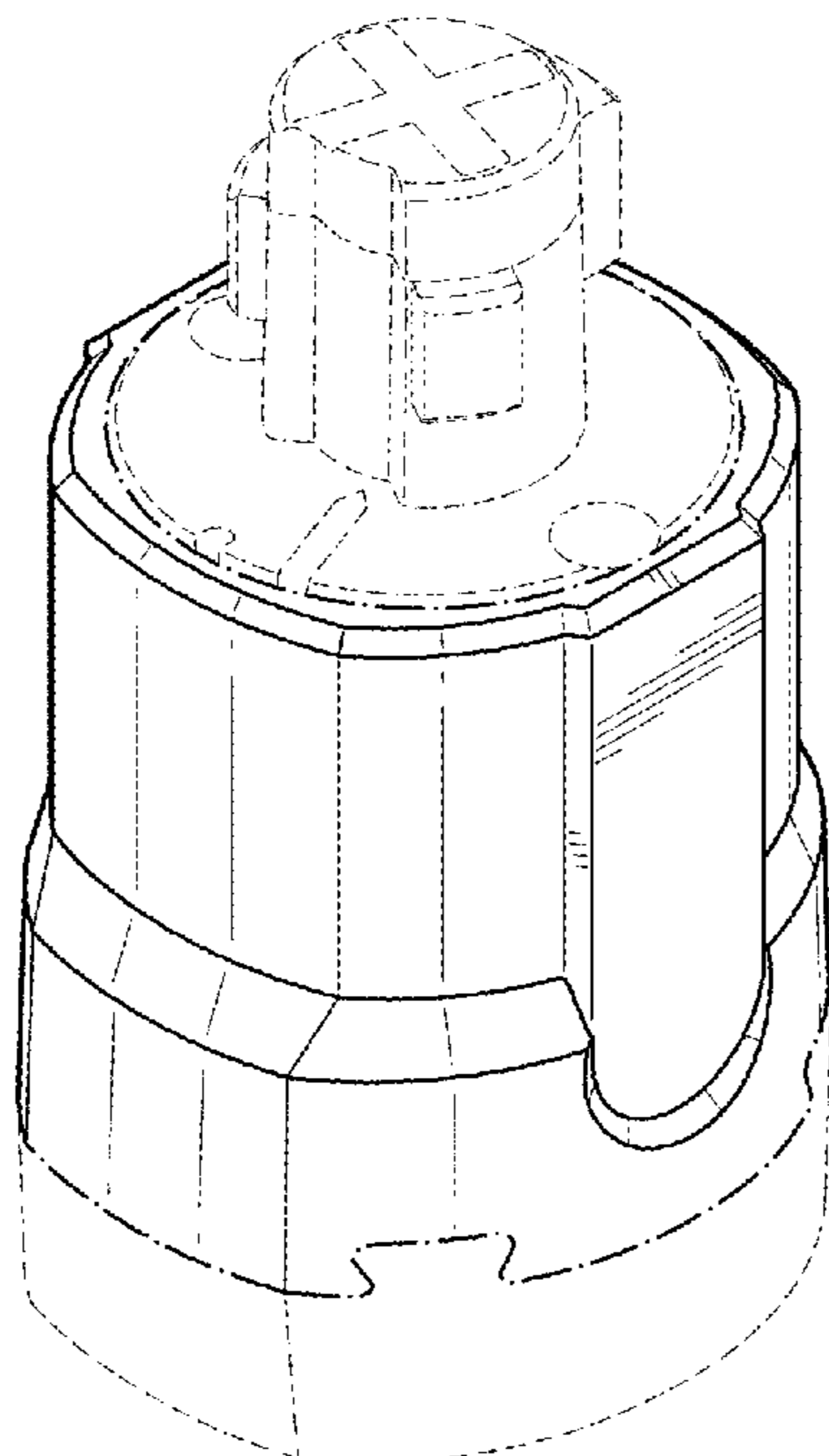
The ornamental design for a connection device, as shown and described.

DESCRIPTION

FIG. 1 is a first perspective view of the connection device; FIG. 2 is a second perspective view thereof; FIG. 3 is a third perspective view thereof; FIG. 4 is a rear elevational view thereof; FIG. 5 is a left side elevational view thereof; FIG. 6 is a front elevational view thereof; FIG. 7 is a right side elevational view thereof; FIG. 8 is a bottom plan view thereof; and, FIG. 9 is a top plan view thereof.

The heavy dot-dashed lines are for illustration of the boundary between claimed subject matter and unclaimed subject matter only and form no part of the claimed design. The thin dashed lines are for illustration of environmental subject matter only and form no part of the claimed design.

1 Claim, 4 Drawing Sheets



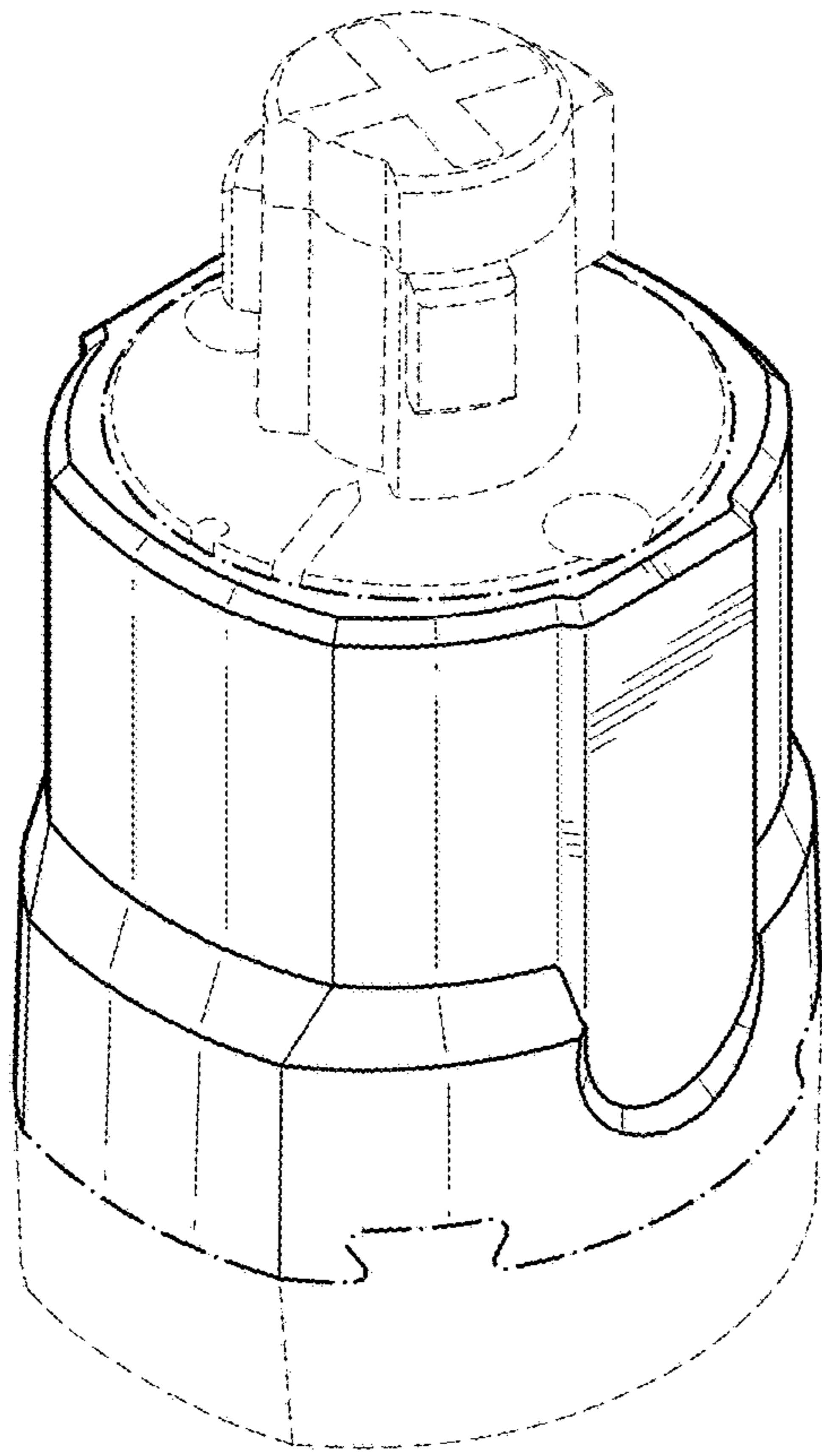


FIG. 1

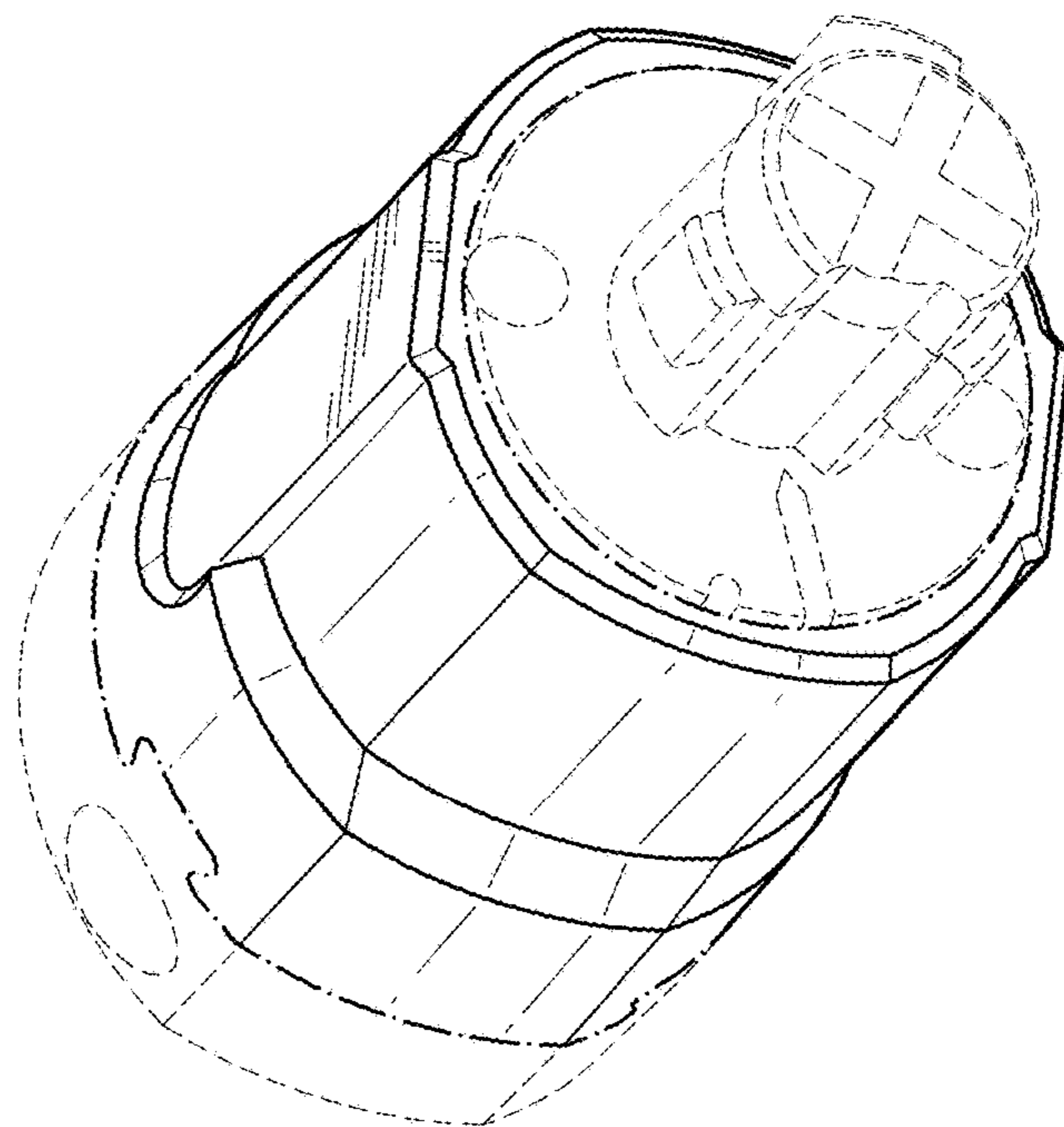


FIG. 2

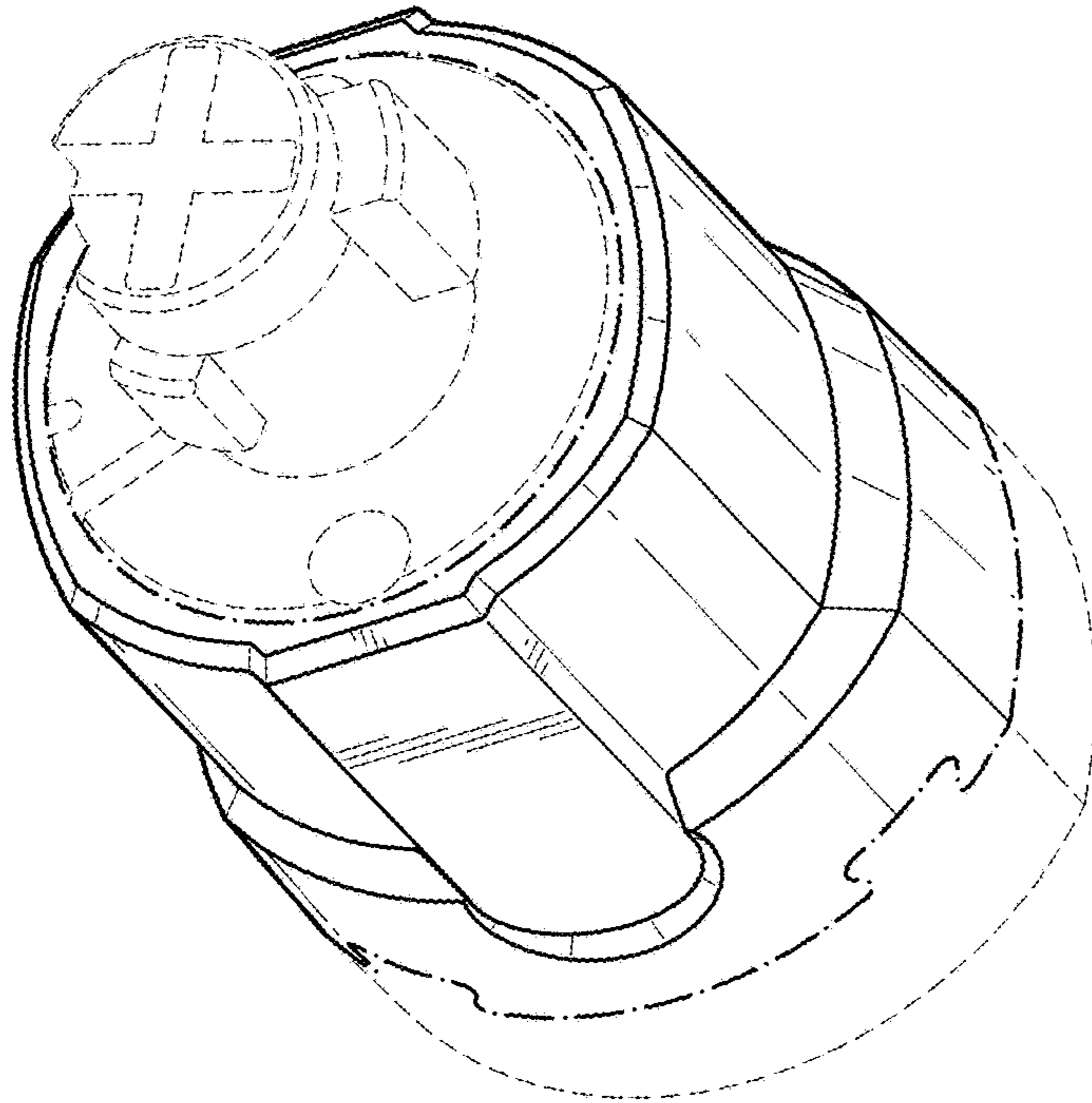


FIG. 3

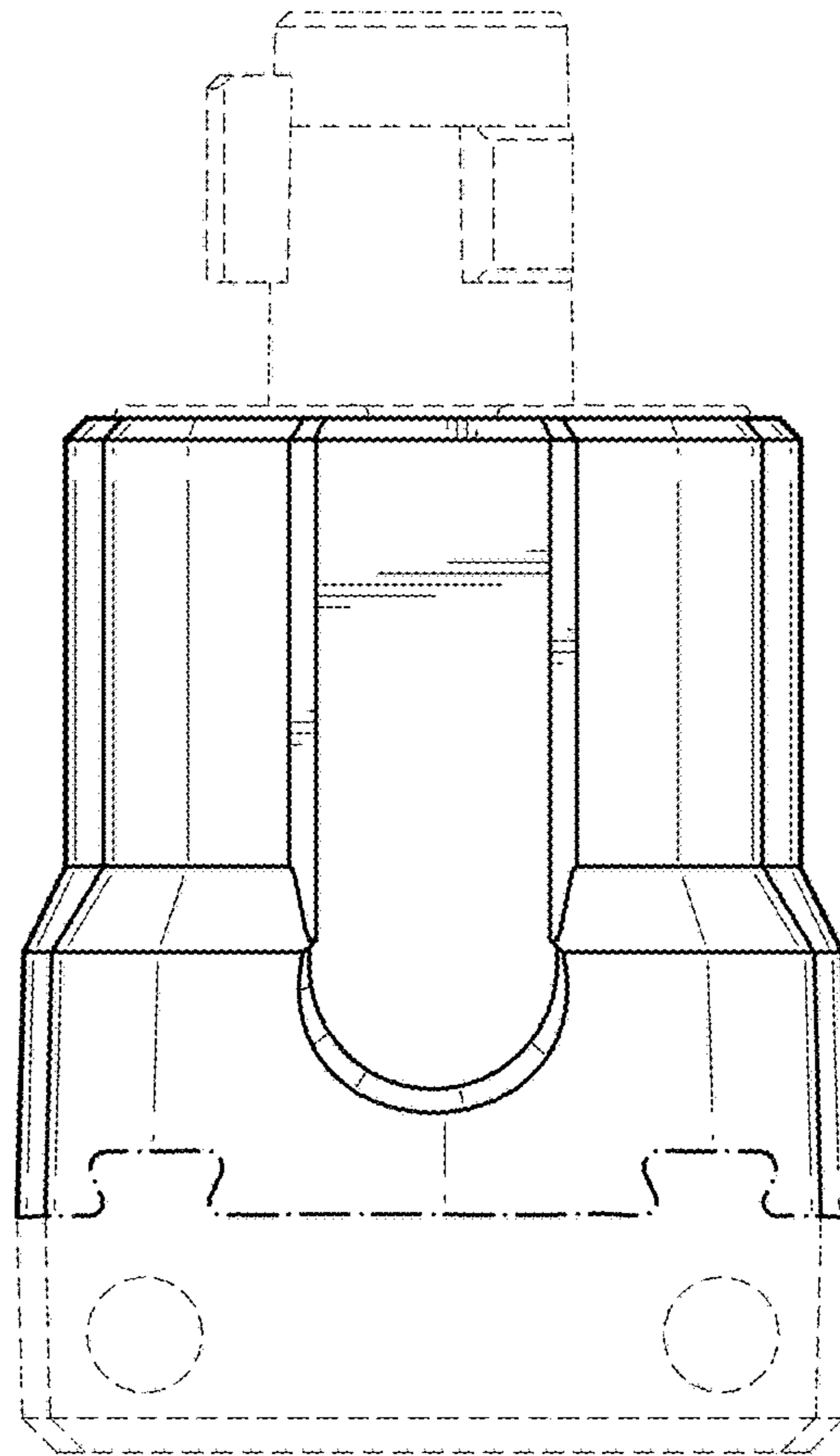


FIG. 4

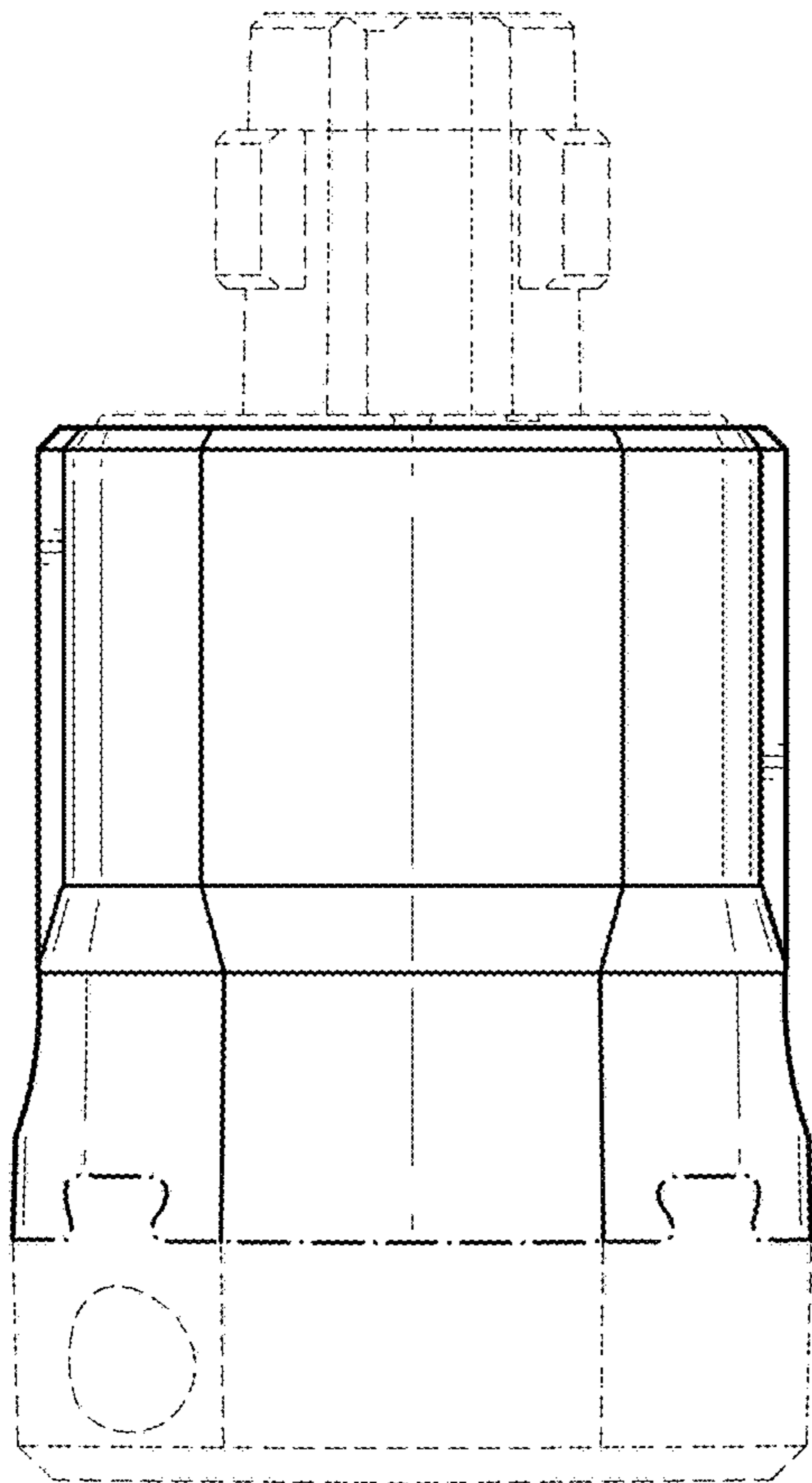


FIG. 5

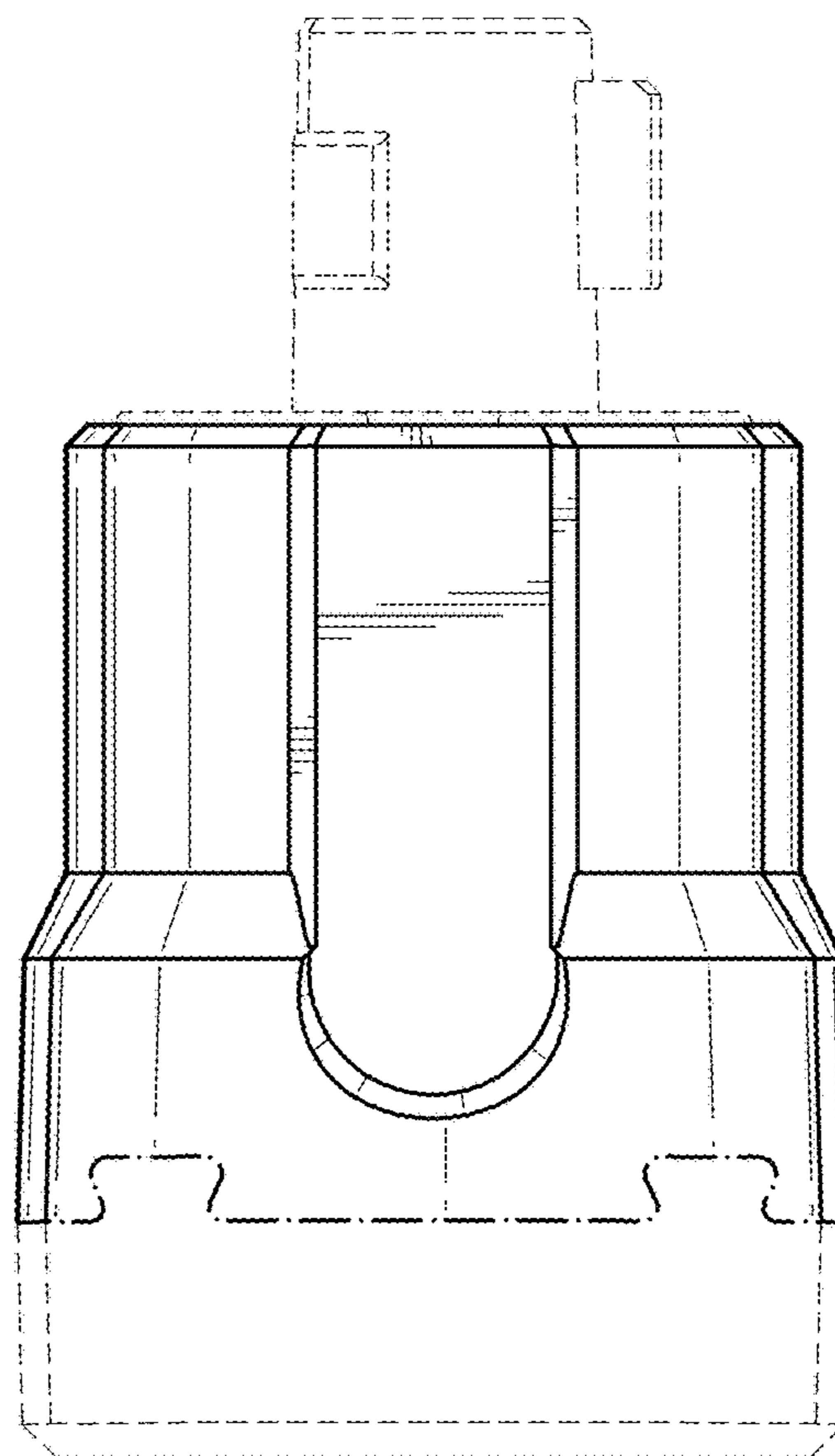


FIG. 6

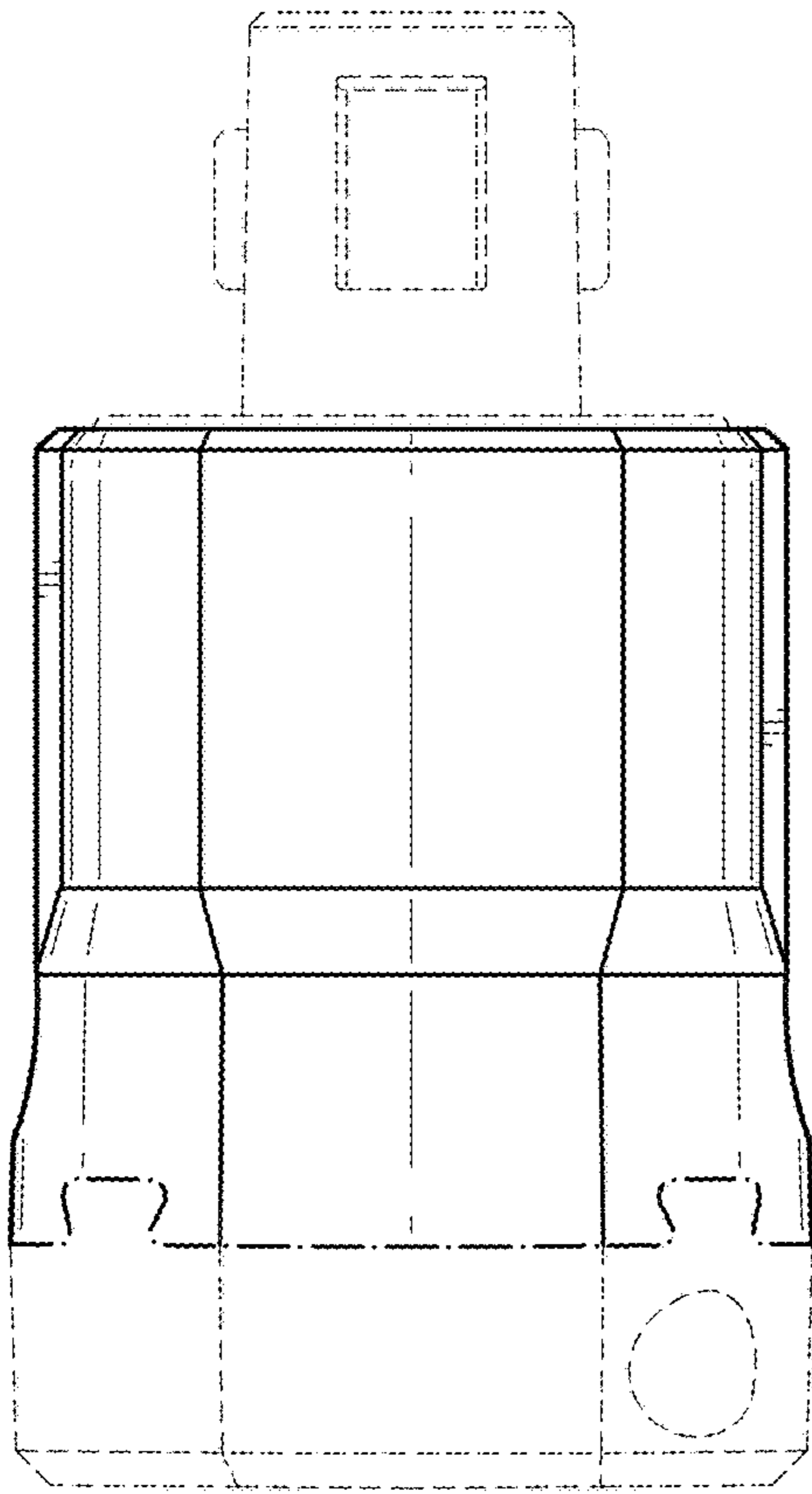


FIG. 7

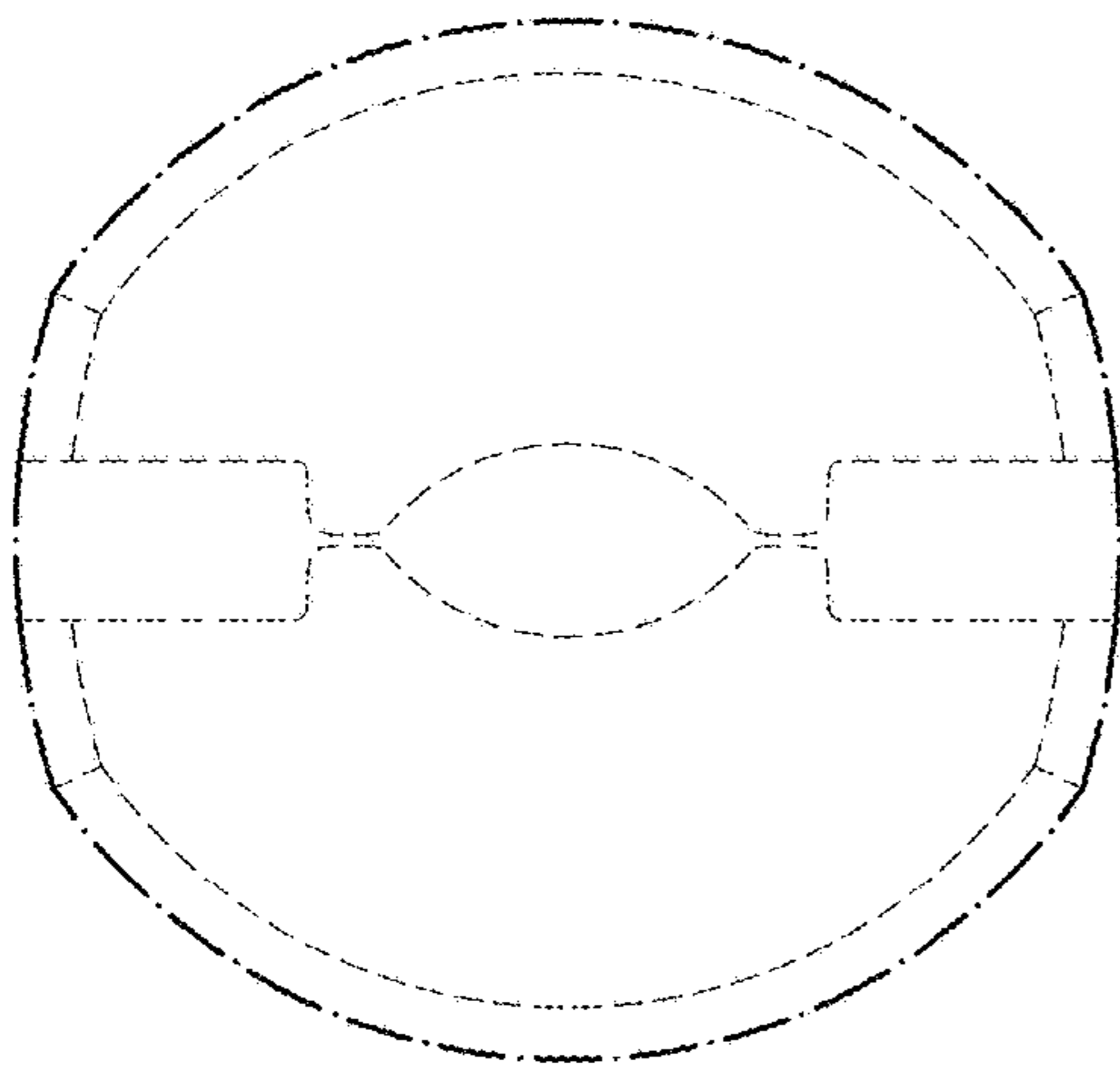


FIG. 8

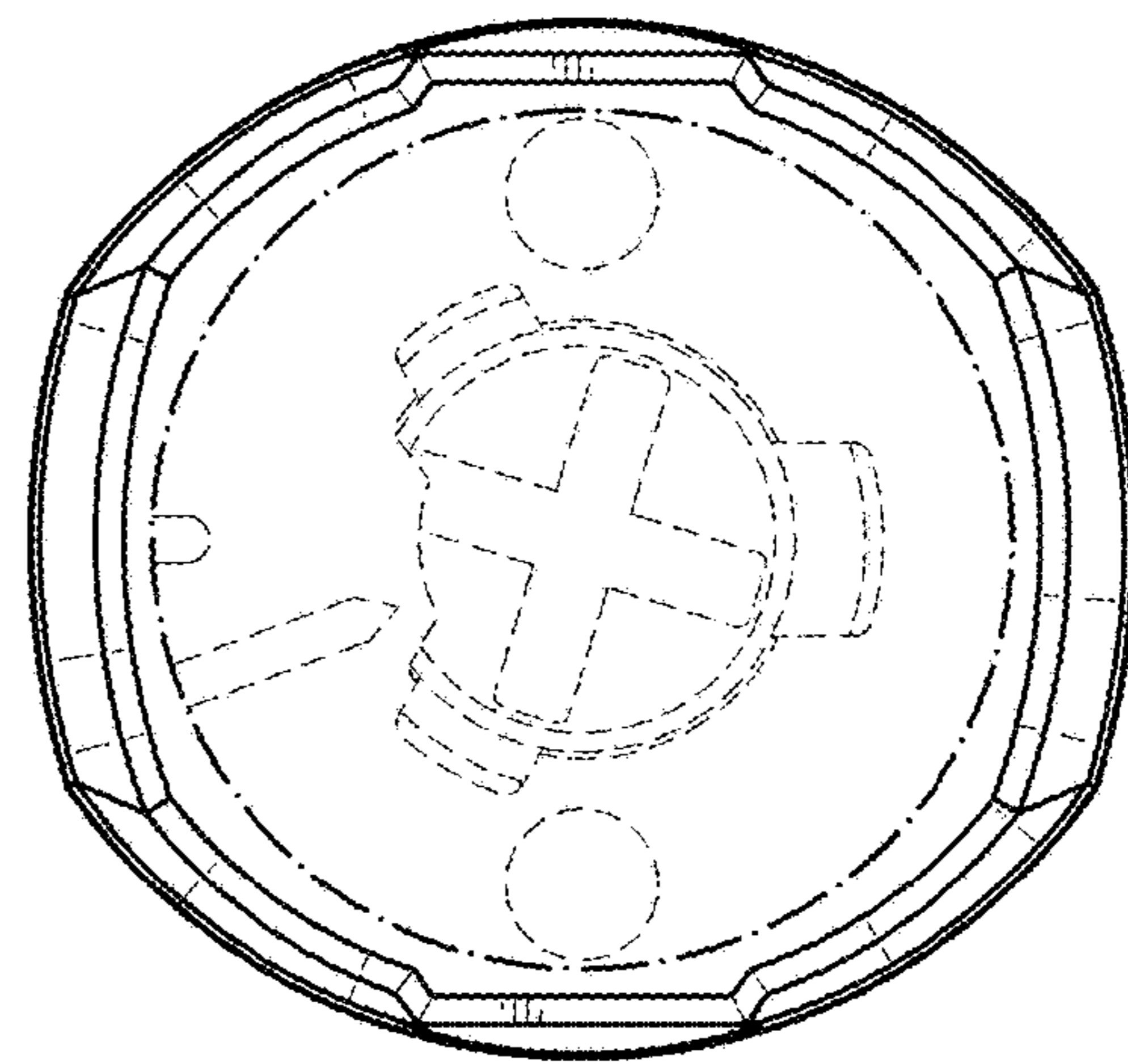


FIG. 9