



US00D788707S

(12) **United States Design Patent** (10) **Patent No.:** **US D788,707 S**
Gripenstroh et al. (45) **Date of Patent:** **** Jun. 6, 2017**

(54) **ELECTRICAL CONNECTOR**

(71) Applicant: **HARTING ELECTRIC GMBH & CO. KG**, Espelkamp (DE)

(72) Inventors: **Sebastian Gripenstroh**, Luebbecke (DE); **Thomas Beischer**, Espelkamp (DE)

(73) Assignee: **HARTING ELECTRIC GMBH & CO. KG** (DE)

D513,229 S * 12/2005 Mazzullo D13/133
D648,271 S * 11/2011 Spilker D13/133
D648,272 S * 11/2011 Spilker D13/133
D648,273 S * 11/2011 Spilker D13/133
D648,275 S * 11/2011 Spilker D13/133
8,979,568 B2 * 3/2015 Herbrechtsmeier
H01R 13/62966
439/346
2006/0094281 A1 * 5/2006 Dang H01R 13/6275
439/352
2010/0163304 A1 * 7/2010 Auray F16L 5/00
174/72 C

(Continued)

(**) Term: **15 Years**

(21) Appl. No.: **29/539,819**

(22) Filed: **Sep. 17, 2015**

(30) **Foreign Application Priority Data**

Apr. 28, 2015 (EM) 002690784-0002

(51) **LOC (10) Cl.** **13-03**

(52) **U.S. Cl.**
USPC **D13/133**

(58) **Field of Classification Search**
USPC D13/118, 123, 133-135, 146-151,
D13/153-156, 173, 184, 199
CPC ... H01R 4/00; H01R 4/60; H01R 4/66; H01R
13/00; H01R 13/44; H01R 13/52; H01R
13/58; H01R 13/62; H01R 24/38; H01R
43/00; H01R 43/18; H01R 43/22; H01R
13/40; H01R 13/64; H01R 13/66; G02B
6/38

See application file for complete search history.

(56) **References Cited**

U.S. PATENT DOCUMENTS

D392,940 S * 3/1998 Shen D13/110
D456,007 S * 4/2002 Kuo D13/110
D482,653 S * 11/2003 Cho D13/110
D507,779 S * 7/2005 Mazzullo D13/133
D508,462 S * 8/2005 Mazzullo D13/133

OTHER PUBLICATIONS

Han-Eco Video, dated Dec. 8, 2010, [online], [site visited Mar. 30, 2015]. Available from Internet, <URL: https://www.youtube.com/watch?v=_ui-S1SR14>.*

(Continued)

Primary Examiner — Thomas Johannes
Assistant Examiner — Shawn T Gingrich
(74) *Attorney, Agent, or Firm* — Hayes Soloway P.C.

(57) **CLAIM**

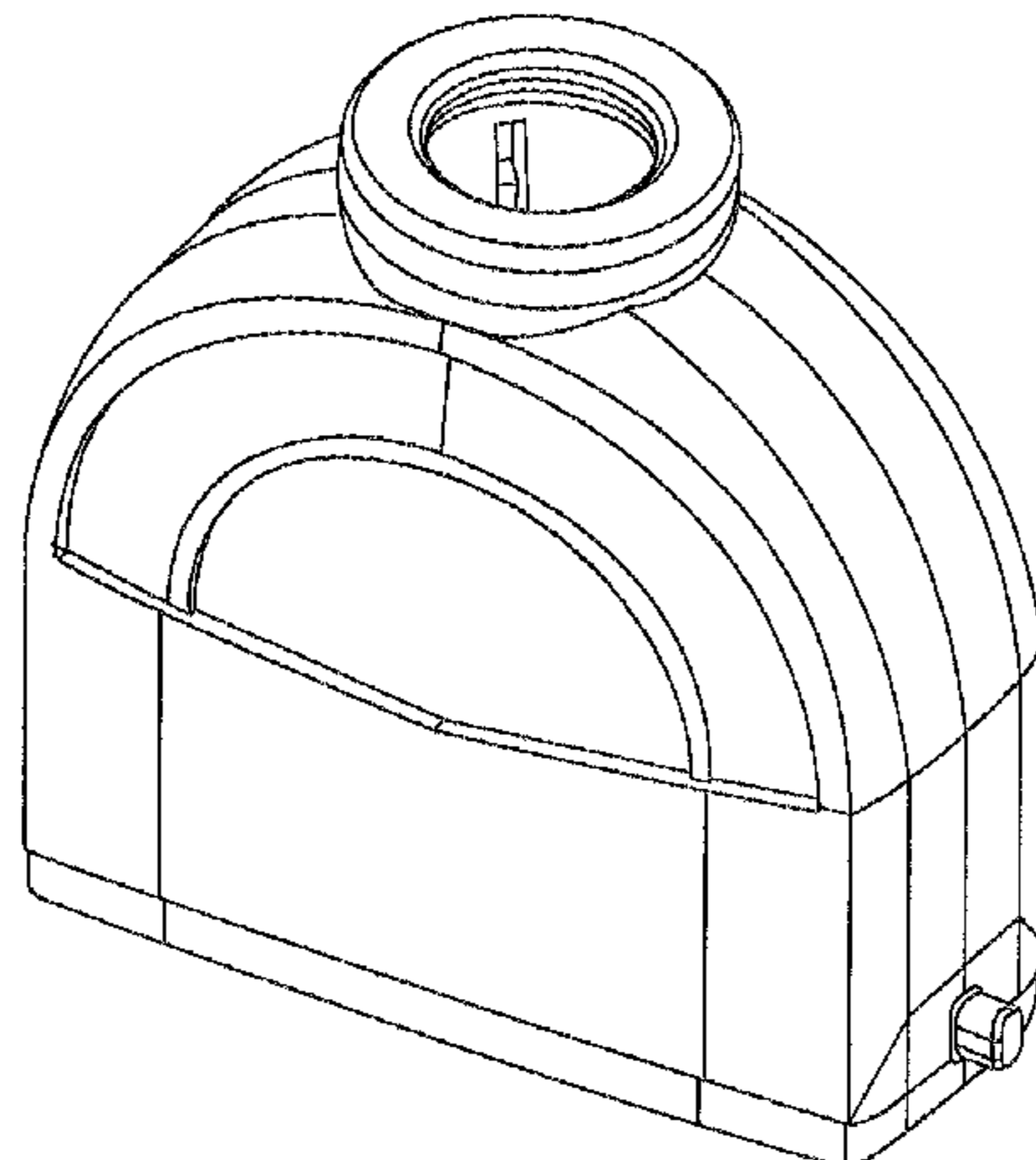
The ornamental design for electrical connector, as shown and described.

DESCRIPTION

FIG. 1 is a right side view for an electrical connector in accordance with our invention;
FIG. 2 is a left side perspective view thereof;
FIG. 3 is a back view thereof;
FIG. 4 is a top view thereof;
FIG. 5 is a front view thereof;
FIG. 6 is a bottom view thereof; and,
FIG. 7 is a left side view thereof.

The broken line portion of the figure drawings is included to show portions of the article that form no part of the claimed design.

1 Claim, 4 Drawing Sheets



(56)

References Cited

U.S. PATENT DOCUMENTS

2011/0217880 A1* 9/2011 Schmidt H01R 13/506
439/676
2012/0244754 A1* 9/2012 Riepe H01R 13/518
439/638
2015/0024624 A1* 1/2015 Monagle H01R 13/5841
439/534
2016/0181708 A1* 6/2016 Busse H02G 3/085
385/76

OTHER PUBLICATIONS

RCD File Information from European Union Intellectual Property Office for EM Registration No. 001208425-0001, filed Apr. 13, 2010, accessed Nov. 18, 2016 (3 pages).

RCD File Information from European Union Intellectual Property Office for EM Registration No. 001208425-0002, filed Apr. 13, 2010, accessed Nov. 18, 2016 (3 pages).

Notification of Grant from Russian Applicant Serial No. 2015503482/49, issued Nov. 11, 2016 (7 pages).

Official Action issued in related Design U.S. Appl. No. 29/539,817, issued Nov. 10, 2016 (9 pages).

* cited by examiner

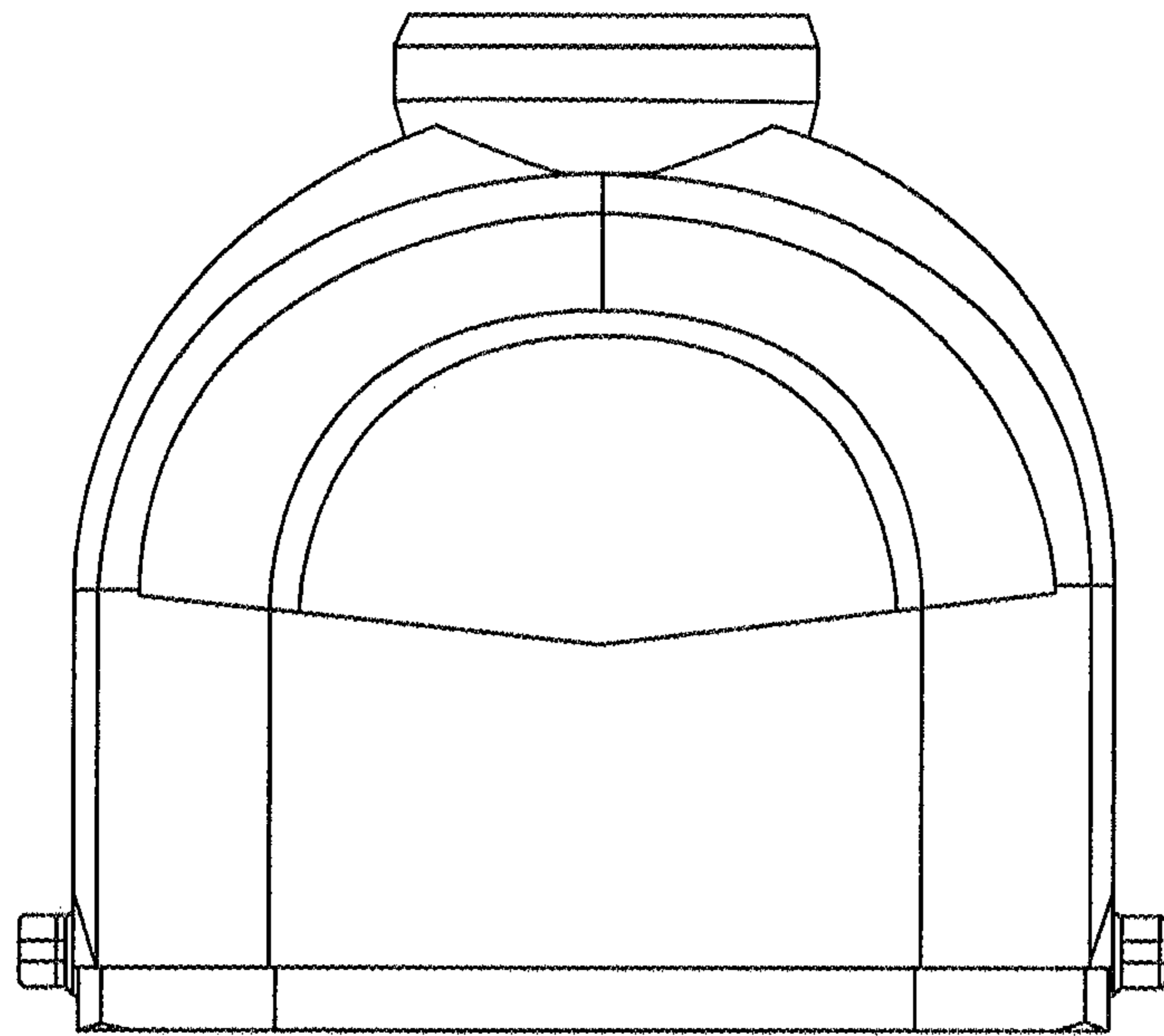


Fig. 1

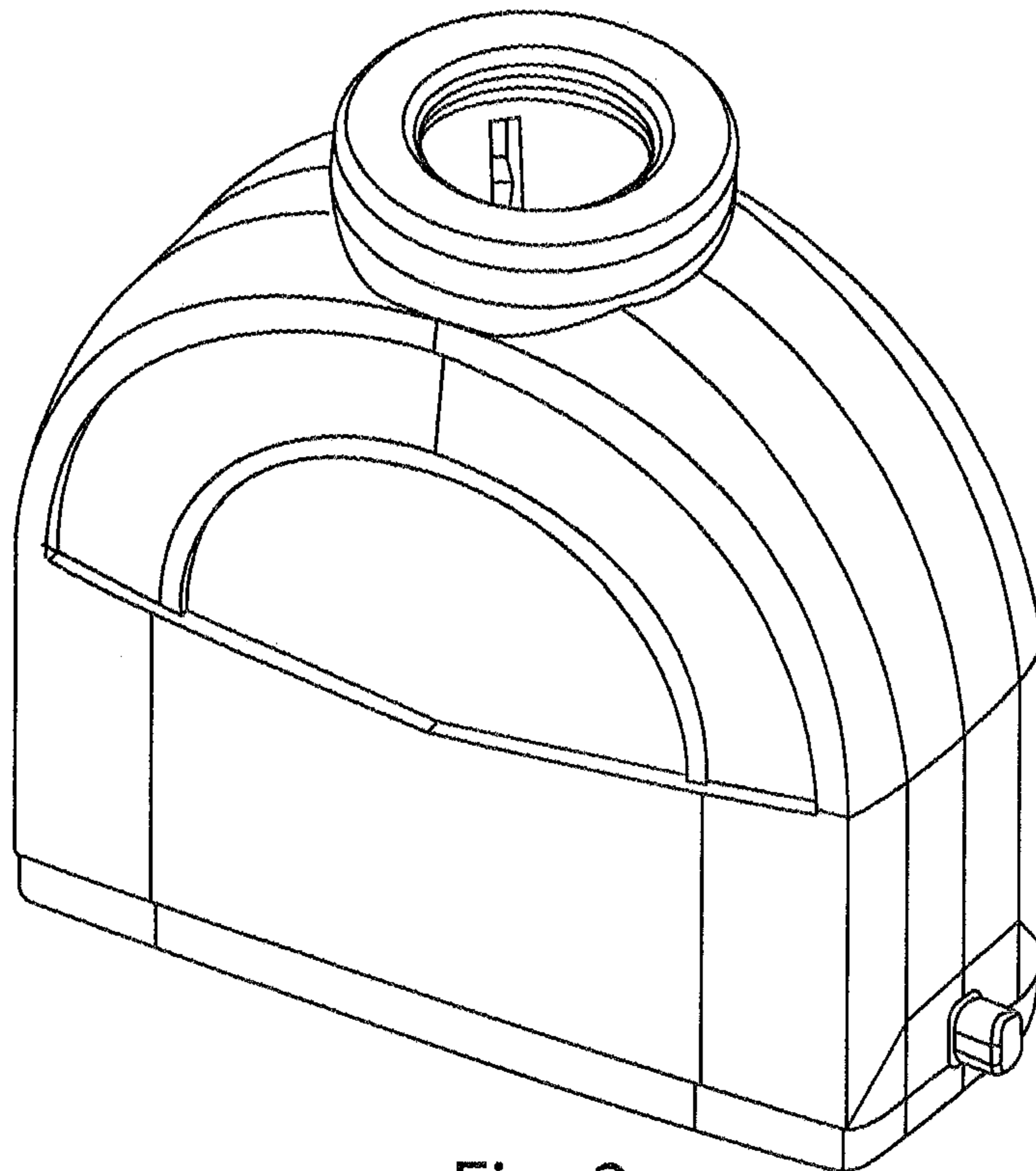


Fig. 2

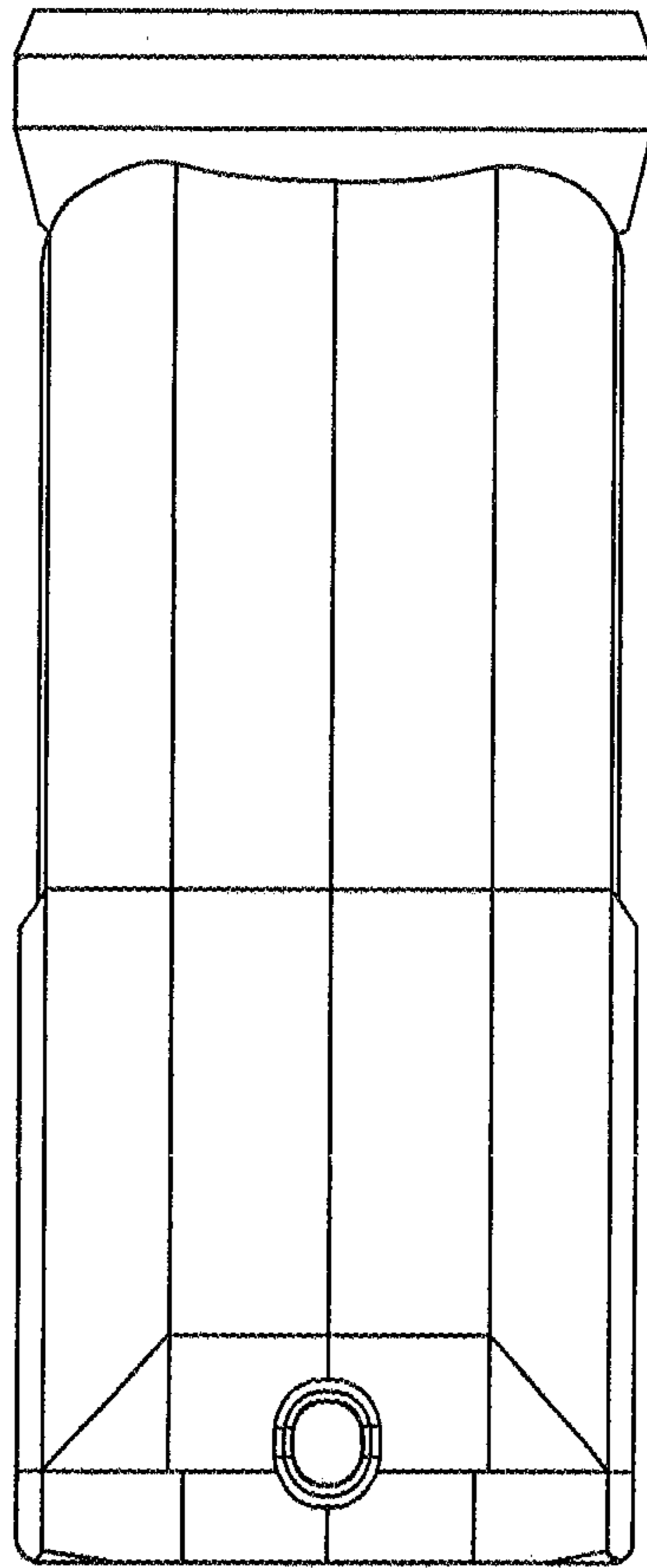


Fig. 3

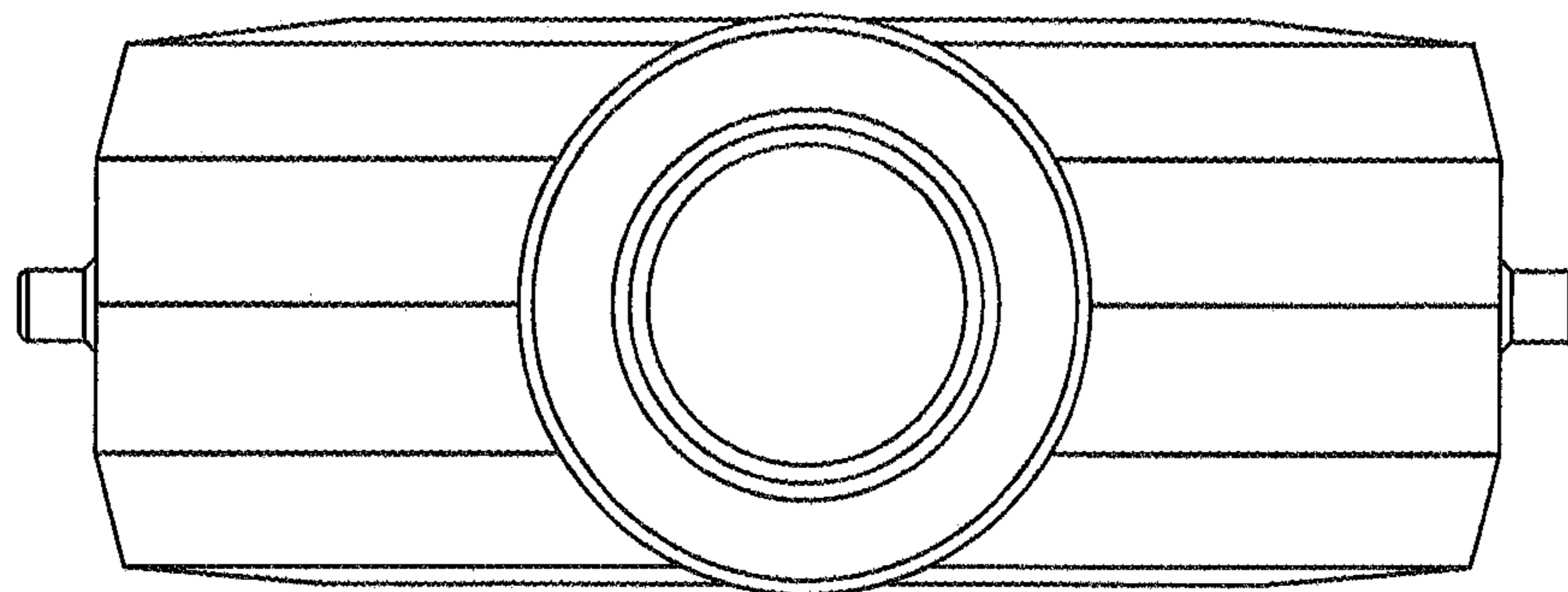


Fig. 4

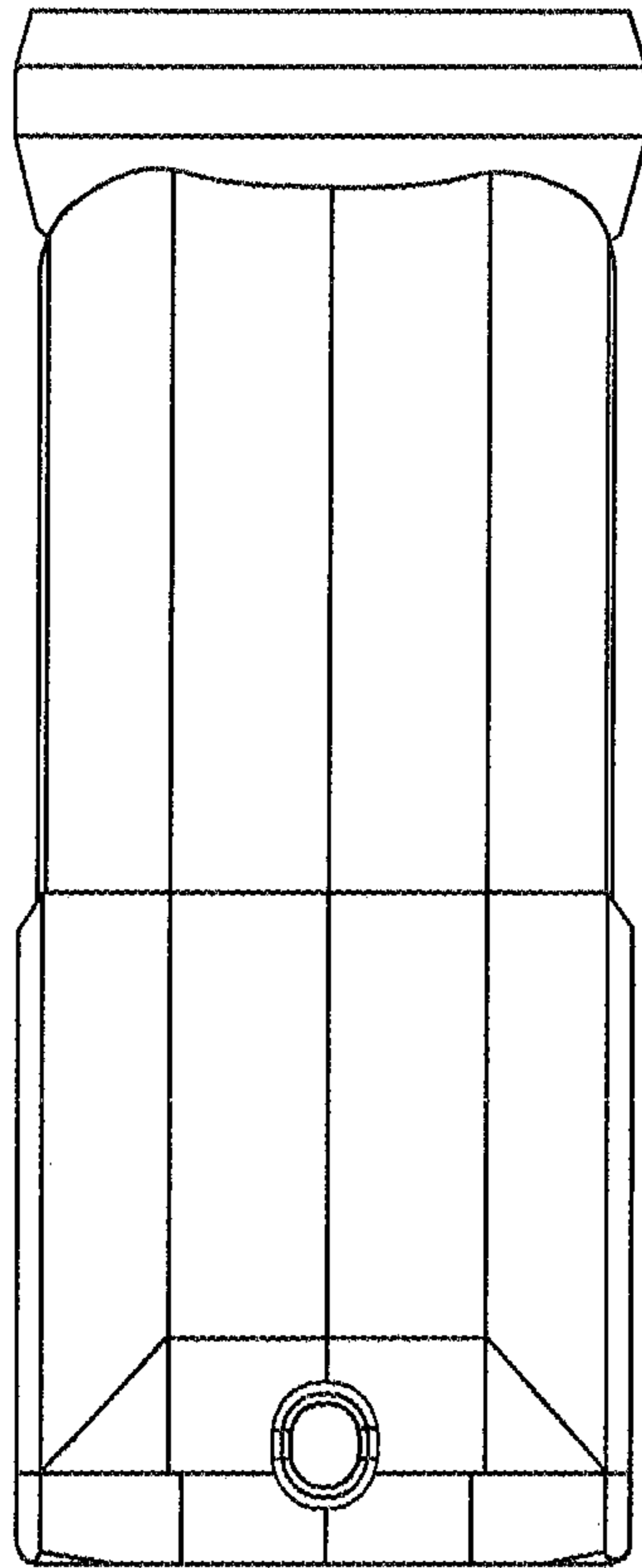


Fig. 5

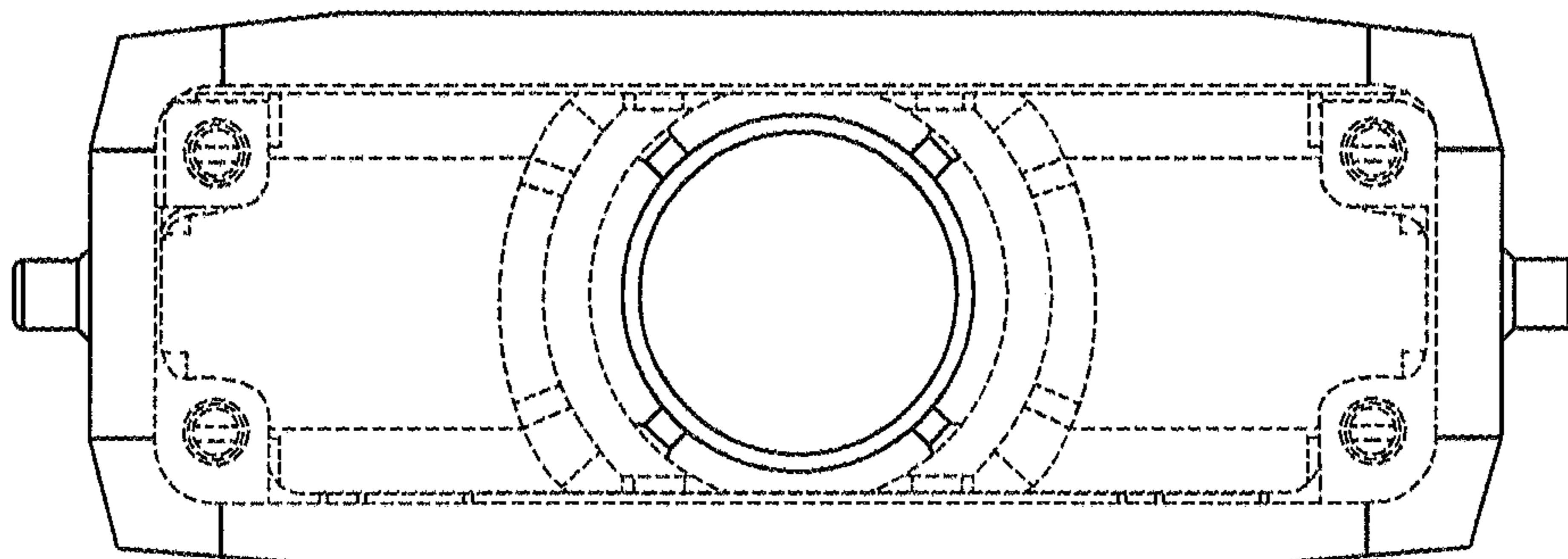


Fig. 6

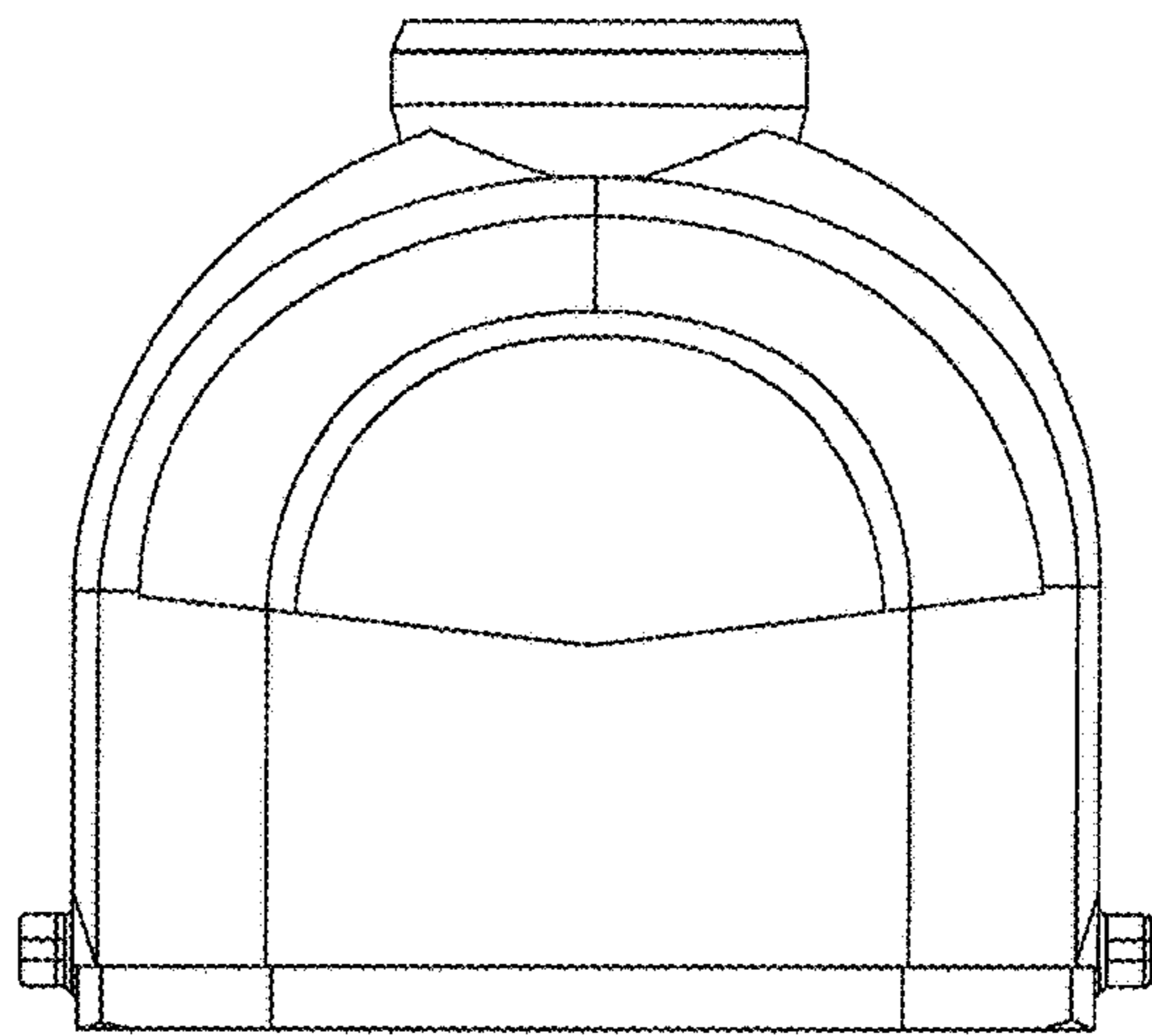


Fig. 7