



US00D788703S

(12) **United States Design Patent** (10) **Patent No.:** **US D788,703 S**
Krysinski et al. (45) **Date of Patent:** **** *Jun. 6, 2017**

(54) **BATTERY TERMINAL EXTENSION TAB**

CPC H01R 13/641; H01M 2/206
See application file for complete search history.

(71) Applicants: **Gregory Edmund Krysinski**, Grand Prairie, TX (US); **Marilynn Gay Krysinski**, Grand Prairie, TX (US); **James Cook**, Arlington, TX (US); **Katherine Kimball Cook**, Arlington, TX (US); **Randall Alan Young**, Garland, TX (US); **Christy Lynn Young**, Garland, TX (US); **Kristopher Lloyd Boren**, Venus, TX (US); **Brandy L. Boren**, Venus, TX (US)

(56) **References Cited**

U.S. PATENT DOCUMENTS

- D223,668 S * 5/1972 Ulrich D13/120
- D253,734 S * 12/1979 Howard D12/317
- 4,291,106 A * 9/1981 Hooke H01M 2/34
429/1
- D269,944 S * 8/1983 Young D32/40
- D277,642 S * 2/1985 Hinsperger D21/839
- D278,509 S * 4/1985 Middleton D8/18
- D302,880 S * 8/1989 Terry D32/40
- 5,071,361 A * 12/1991 Wright H01R 13/44
174/66
- D361,745 S * 8/1995 Geroux D13/120
- D368,487 S * 4/1996 Lindberg D19/1
- D399,486 S * 10/1998 Deans D13/120
- D507,541 S * 7/2005 Bomar D13/154
- D522,965 S * 6/2006 Nakamaru D13/119

(Continued)

Primary Examiner — Derrick Holland
Assistant Examiner — Jennifer O King

(72) Inventors: **Gregory Edmund Krysinski**, Grand Prairie, TX (US); **Marilynn Gay Krysinski**, Grand Prairie, TX (US); **James Cook**, Arlington, TX (US); **Katherine Kimball Cook**, Arlington, TX (US); **Randall Alan Young**, Garland, TX (US); **Christy Lynn Young**, Garland, TX (US); **Kristopher Lloyd Boren**, Venus, TX (US); **Brandy L. Boren**, Venus, TX (US)

(57) **CLAIM**

The ornamental design for a battery terminal extension tab, as shown and described.

(*) Notice: This patent is subject to a terminal disclaimer.

DESCRIPTION

(**) Term: **15 Years**

(21) Appl. No.: **29/529,482**

(22) Filed: **Jun. 8, 2015**

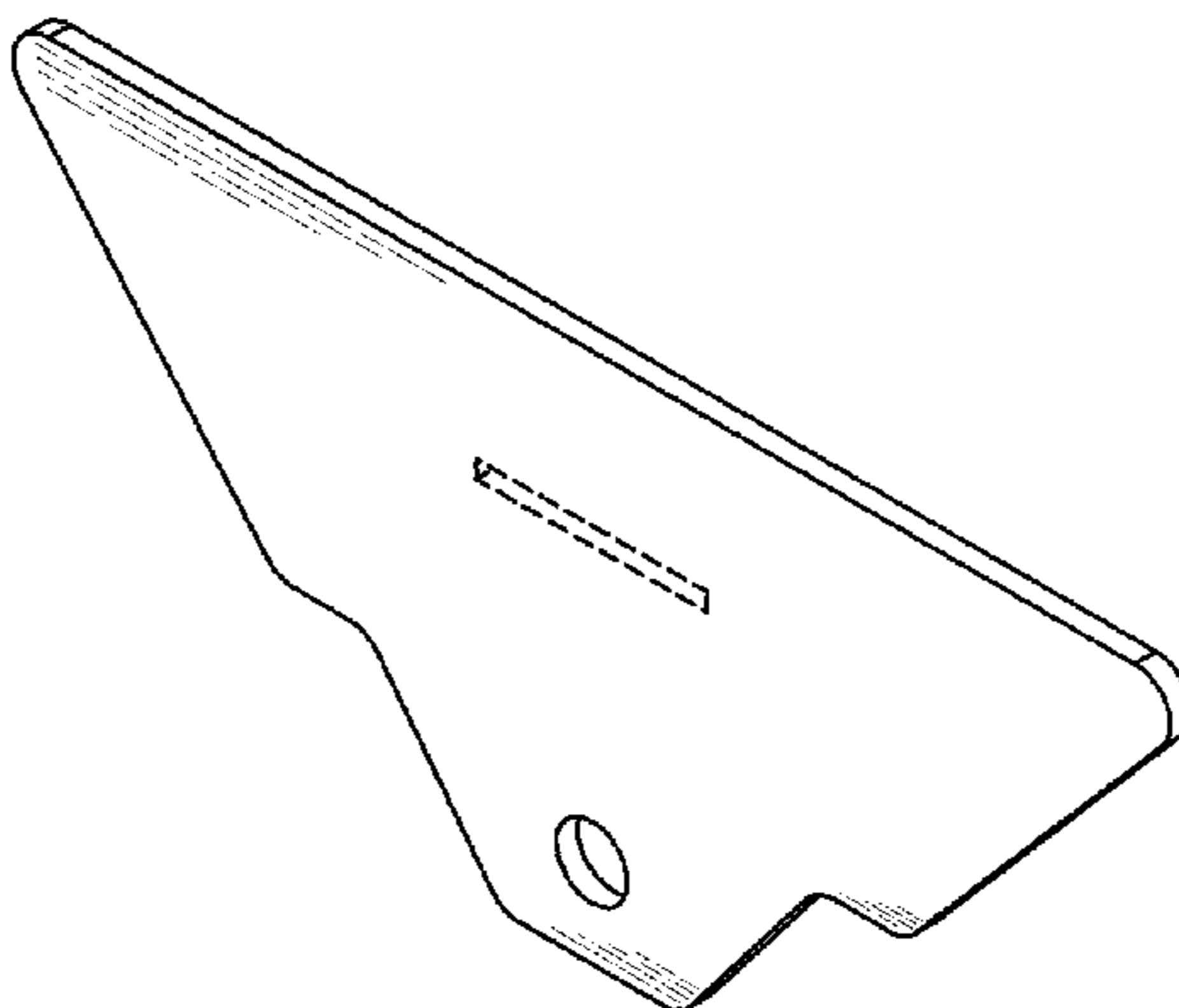
(51) **LOC (10) Cl.** **13-03**

(52) **U.S. Cl.**
USPC **D13/120**

(58) **Field of Classification Search**
USPC D13/119, 103, 104, 133, 110, 120, 121,
D13/107, 156, 154; 429/175, 121;
D9/435; D8/349

FIG. 1 is a perspective view of a battery terminal extension tab;
FIG. 2 is a front elevational view thereof;
FIG. 3 is a left side elevational view thereof, the right side elevational view being a mirror image;
FIG. 4 is a top plan view thereof;
FIG. 5 is a bottom plan view thereof;
FIG. 6 is a perspective view of a second embodiment of a battery terminal extension tab;
FIG. 7 is a front elevational view thereof;
FIG. 8 is a rear elevational view thereof; and,
FIG. 9 is a perspective view of thereof shown in use.

(Continued)



The broken lines shown represent unclaimed subject matter and form no part of the claimed design.

1 Claim, 9 Drawing Sheets

(56) **References Cited**

U.S. PATENT DOCUMENTS

D582,983 S * 12/2008 McCarthy D19/99
D636,727 S * 4/2011 Sakae D13/121
D747,126 S * 1/2016 Letinic D6/680.2

* cited by examiner

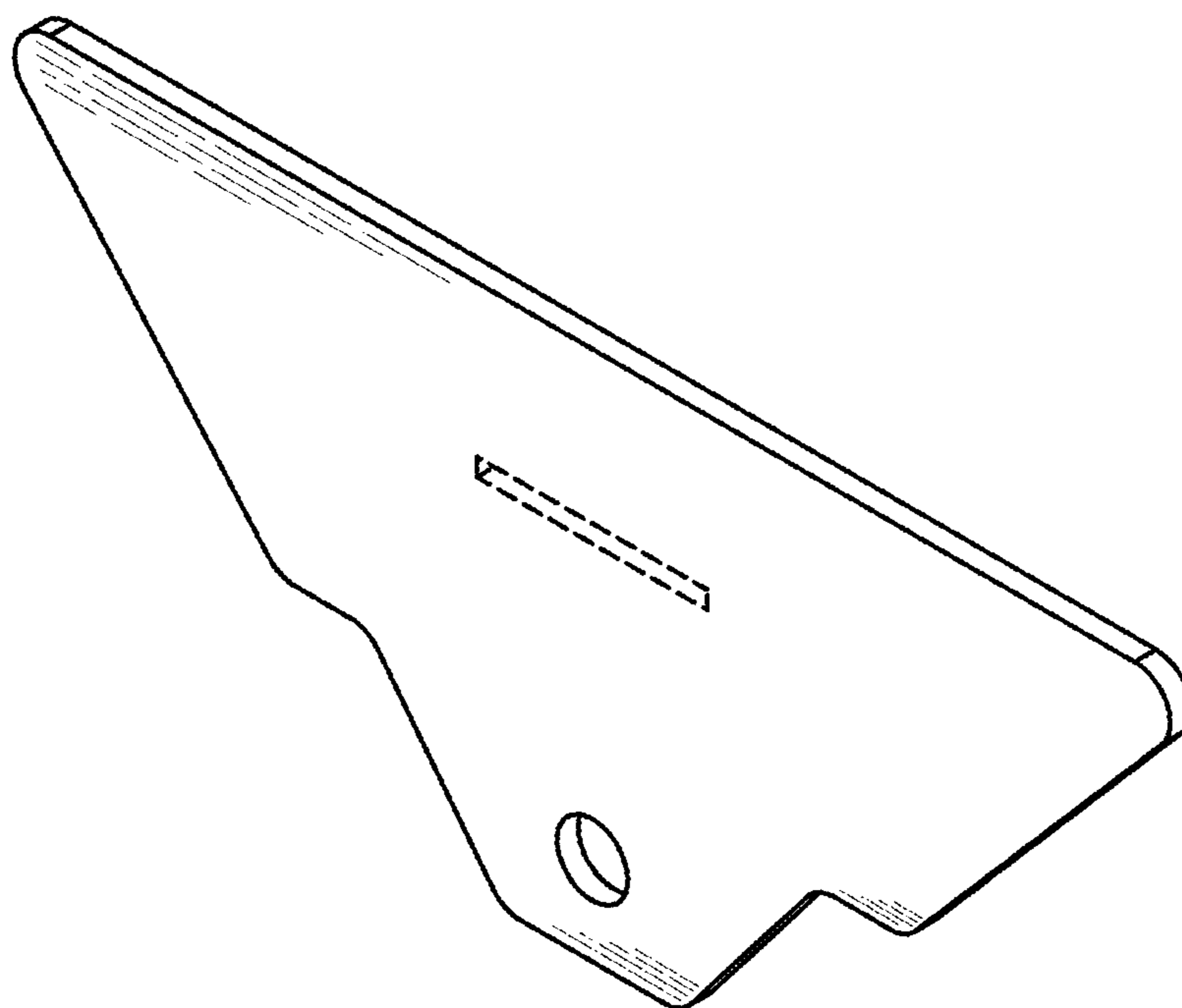


FIG. 1

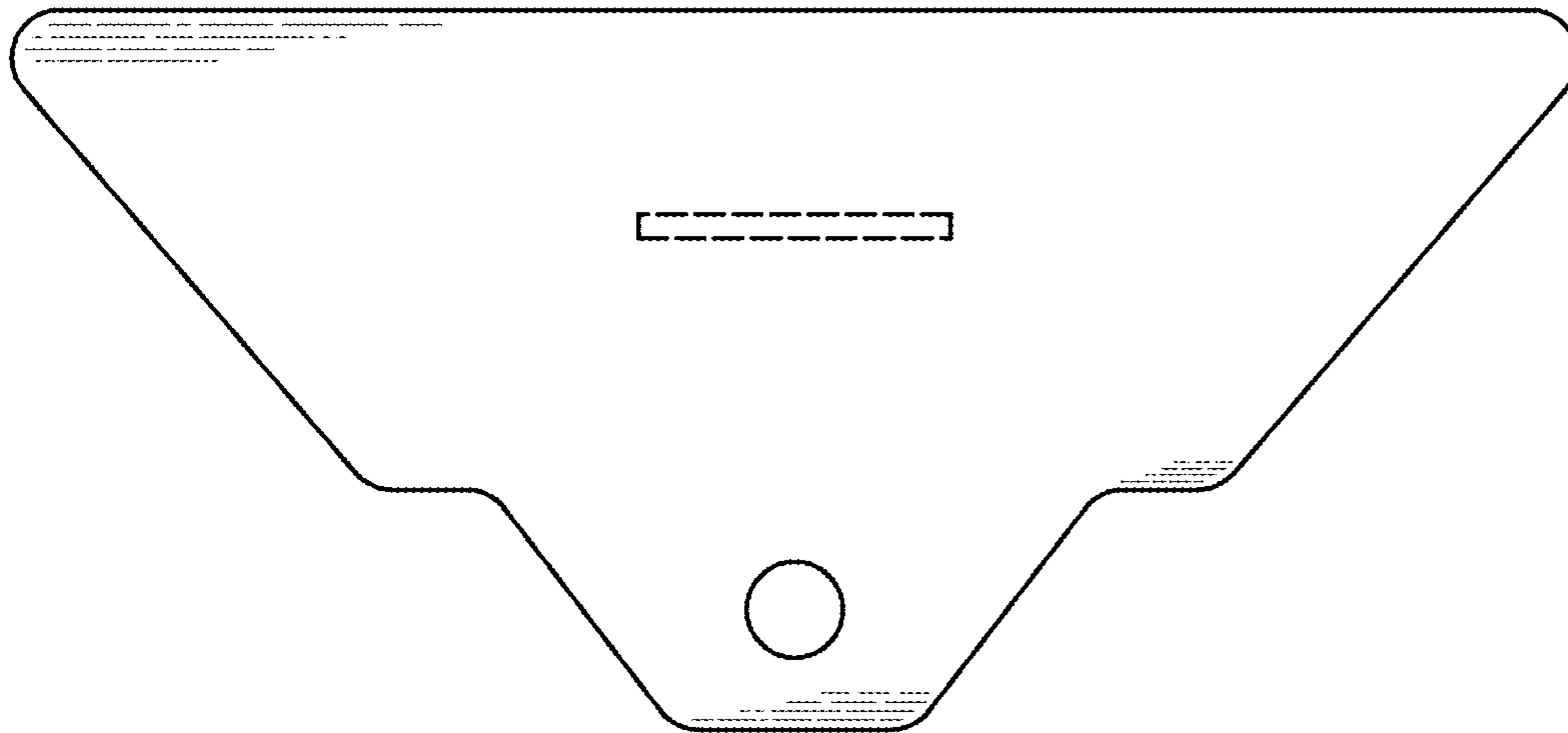


FIG. 2



FIG. 3

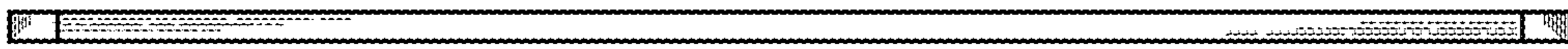


FIG. 4

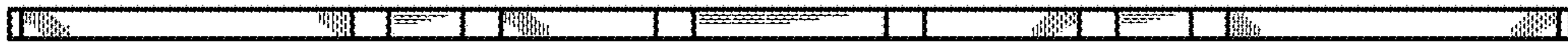


FIG. 5

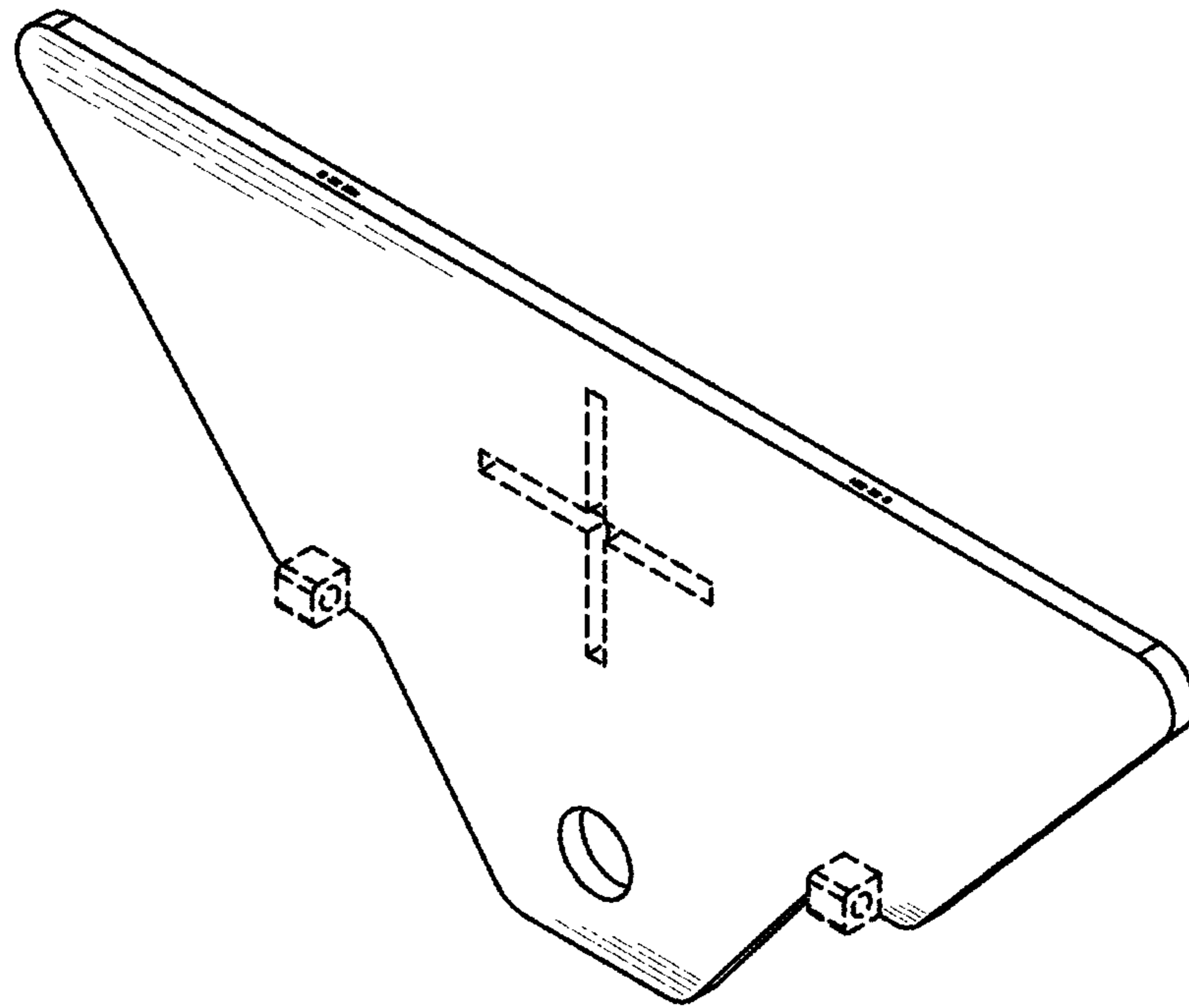


FIG. 6

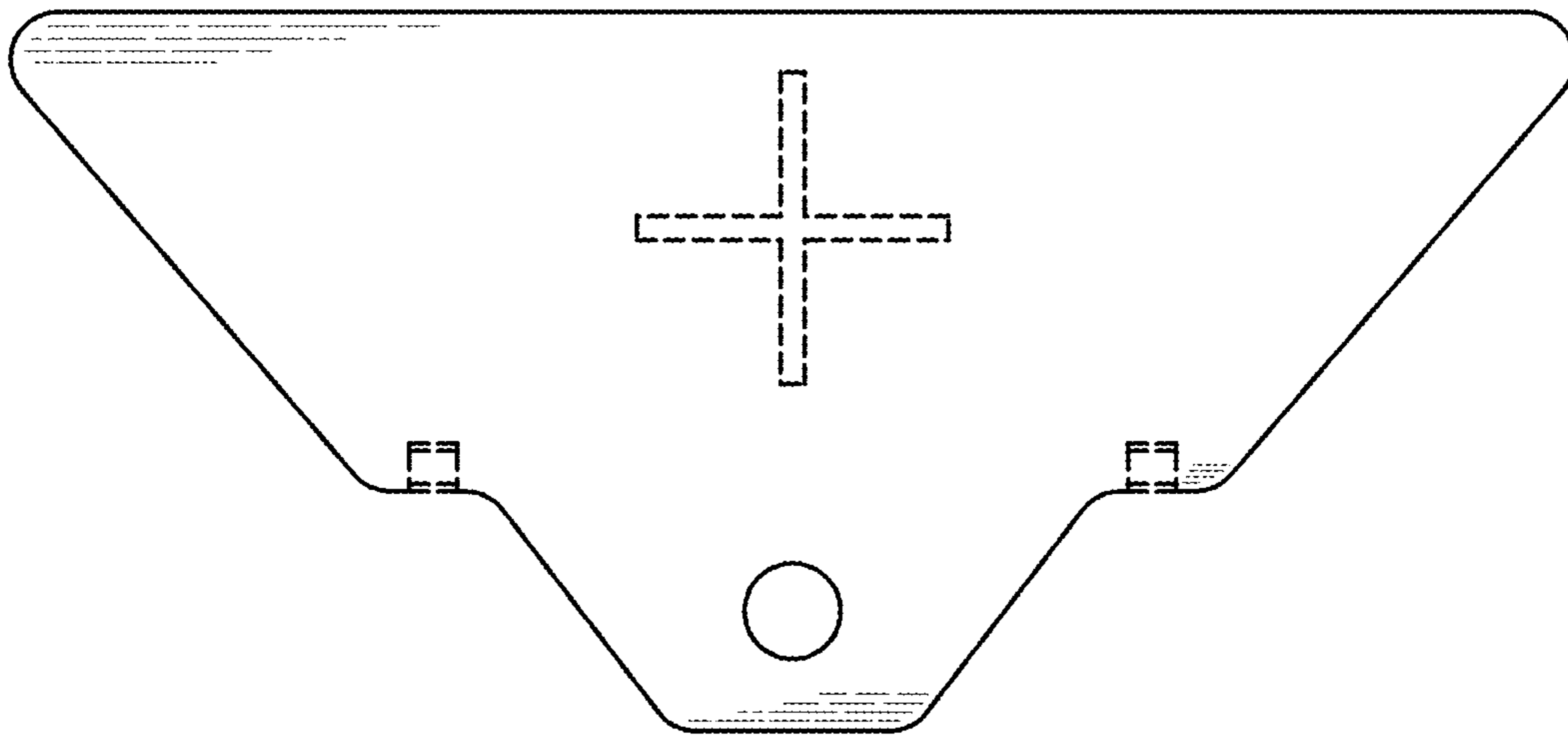


FIG. 7

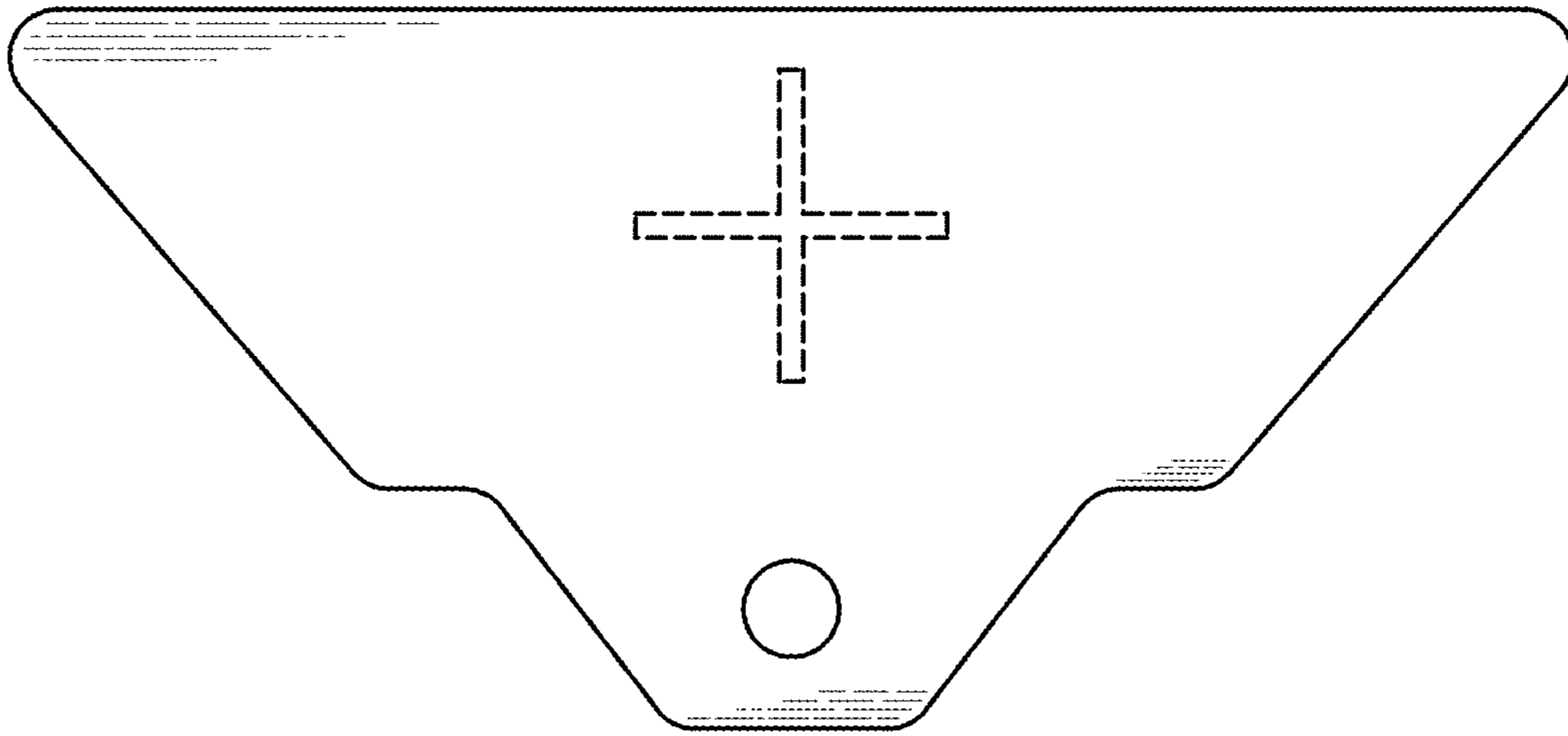


FIG. 8

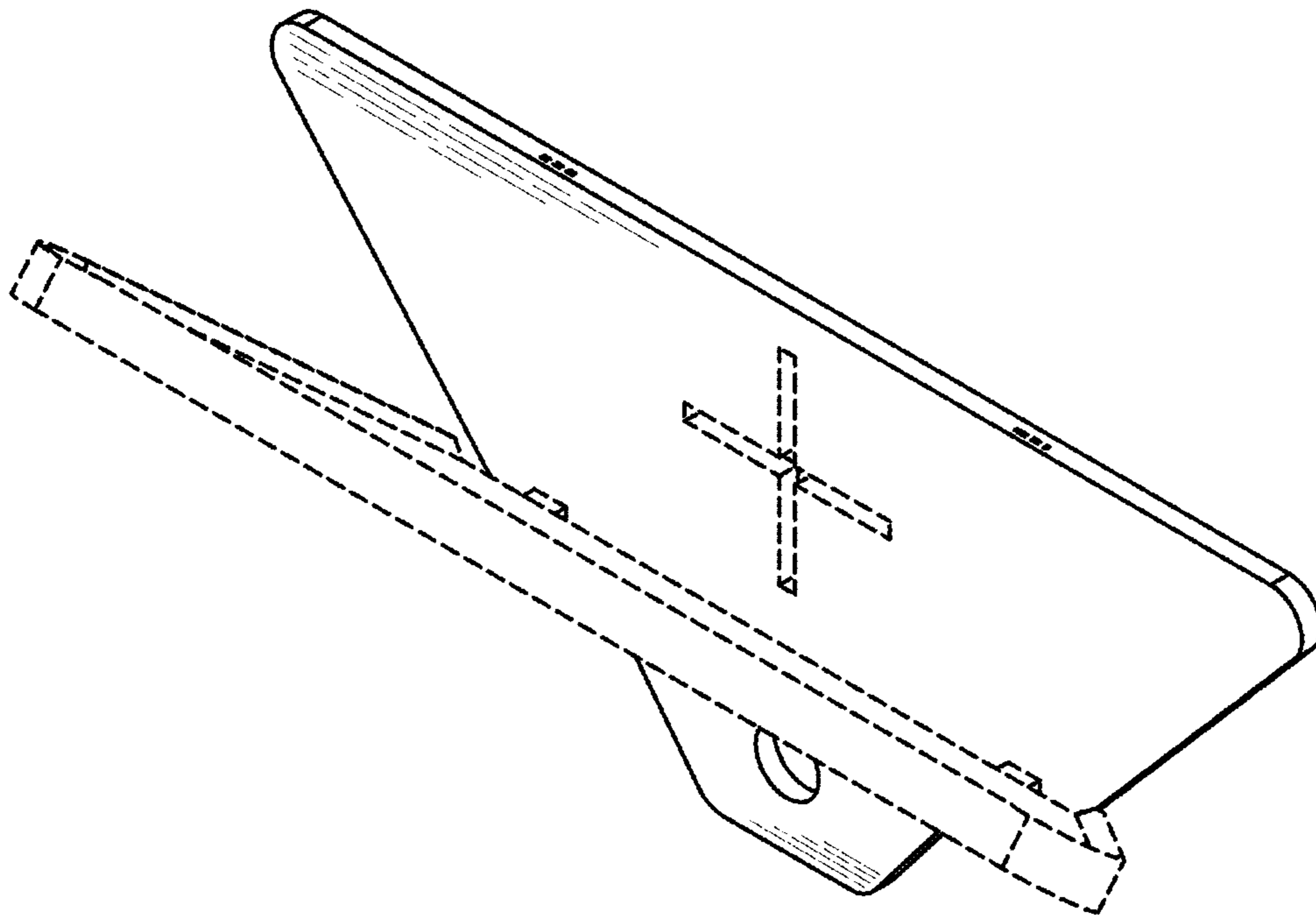


FIG. 9