



US00D788701S

(12) **United States Design Patent**  
**Goto et al.**

(10) **Patent No.:** **US D788,701 S**

(45) **Date of Patent:** **\*\* Jun. 6, 2017**

(54) **SIGNAL CONVERTER**

(71) Applicant: **SMC CORPORATION**, Tokyo (JP)

(72) Inventors: **Takaaki Goto**, Joso (JP); **Tomohiko Aki**, Nagareyama (JP); **Norimasa Ozaki**, Moriya (JP)

(73) Assignee: **SMC CORPORATION**, Tokyo (JP)

(\*\*) Term: **15 Years**

(21) Appl. No.: **29/563,321**

(22) Filed: **May 4, 2016**

(30) **Foreign Application Priority Data**

Nov. 5, 2015 (JP) ..... 2015-024670  
Nov. 5, 2015 (JP) ..... 2015-024671

(51) **LOC (10) Cl.** ..... **13-02**

(52) **U.S. Cl.**  
USPC ..... **D13/110**

(58) **Field of Classification Search**  
USPC ..... D13/101, 102, 107, 108, 110, 112, 118,  
D13/119, 123, 133, 138.1, 162, 184, 199  
CPC ..... H02P 27/04; H02P 27/06; H02P 27/047;  
H02P 2201/09; H02P 2201/11; H02M  
2001/0067; H02M 2001/007; H02M  
2001/0045; H02M 2001/0083; H02M  
2001/009; H02M 7/003; H02M 7/06;  
H02M 7/00; G06F 1/00; G06F 1/188;  
G06F 1/189; G06F 1/26; G06F 11/2015;  
H01R 13/66; H01R 13/60; H01R 13/72;  
H01R 13/6675; H01R 31/065; H05K  
5/0021; H05K 5/0208; H05K 5/0247;  
H05K 5/00

See application file for complete search history.

(56) **References Cited**

U.S. PATENT DOCUMENTS

D365,082 S \* 12/1995 Cook, II ..... D13/110  
5,587,881 A \* 12/1996 Wang ..... G06F 1/184  
361/695

(Continued)

FOREIGN PATENT DOCUMENTS

JP D1098629 S 1/2001  
JP D1274781 S 6/2006  
JP D1360548 S 6/2009

*Primary Examiner* — Rosemary K Tarcza

*Assistant Examiner* — Christy Nemeth

(74) *Attorney, Agent, or Firm* — Birch, Stewart, Kolasch  
& Birch, LLP

(57) **CLAIM**

The ornamental design for a signal converter, as shown.

**DESCRIPTION**

FIG. 1 is a front, bottom and right side perspective view of a signal converter showing a first embodiment of our design; FIG. 2 is a rear, top and left side perspective view thereof; FIG. 3 is a front view thereof; FIG. 4 is a rear view thereof; FIG. 5 is a top plan view thereof; FIG. 6 is a bottom plan view thereof; FIG. 7 is a left side view thereof; FIG. 8 is a right side view thereof; FIG. 9 is a front, bottom and right side perspective view of a signal converter showing a second embodiment of our design; FIG. 10 is a rear, top and left side perspective view thereof; FIG. 11 is a front view thereof; FIG. 12 is a rear view thereof; FIG. 13 is a top plan view thereof; FIG. 14 is a bottom plan view thereof;

(Continued)

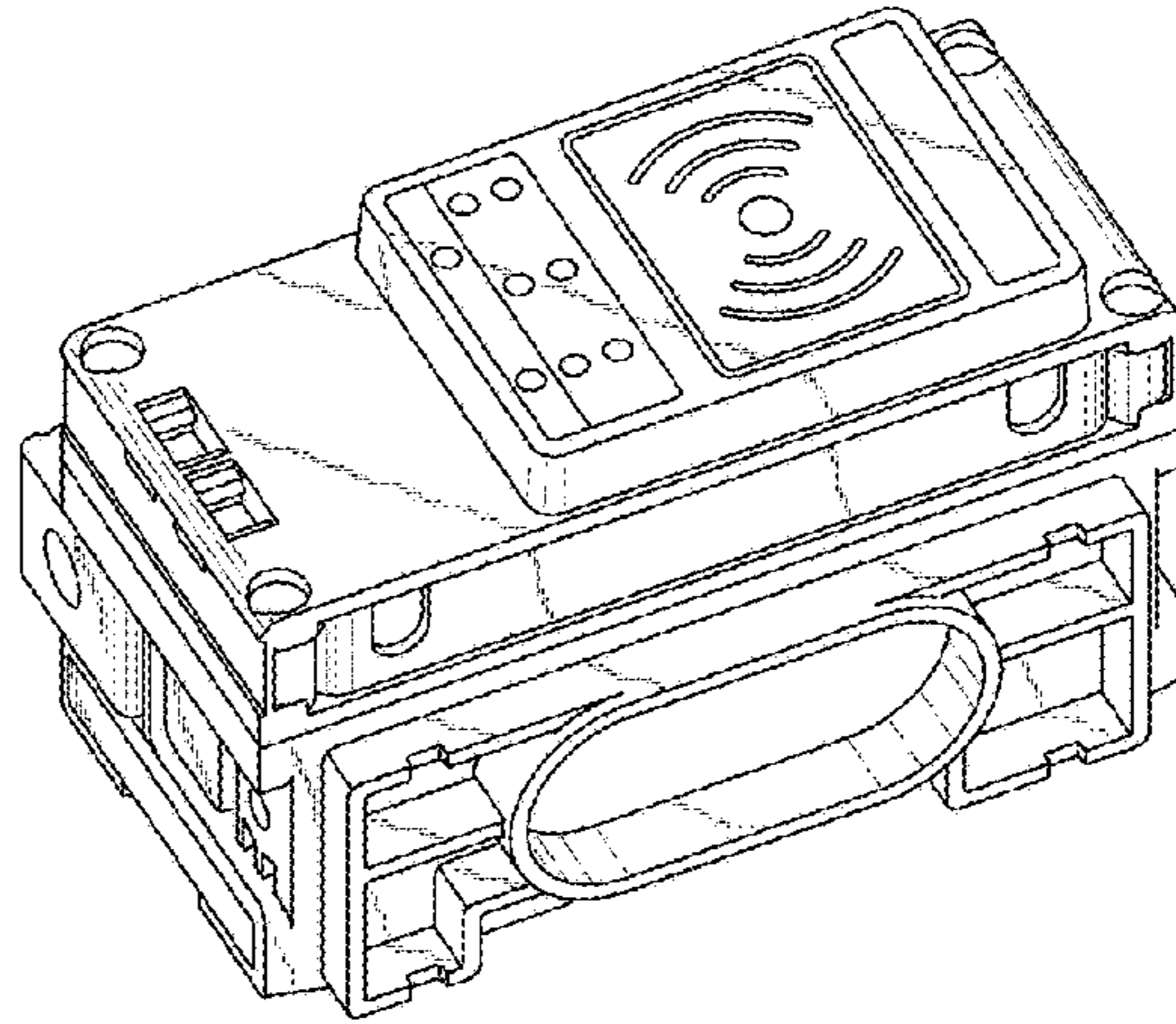
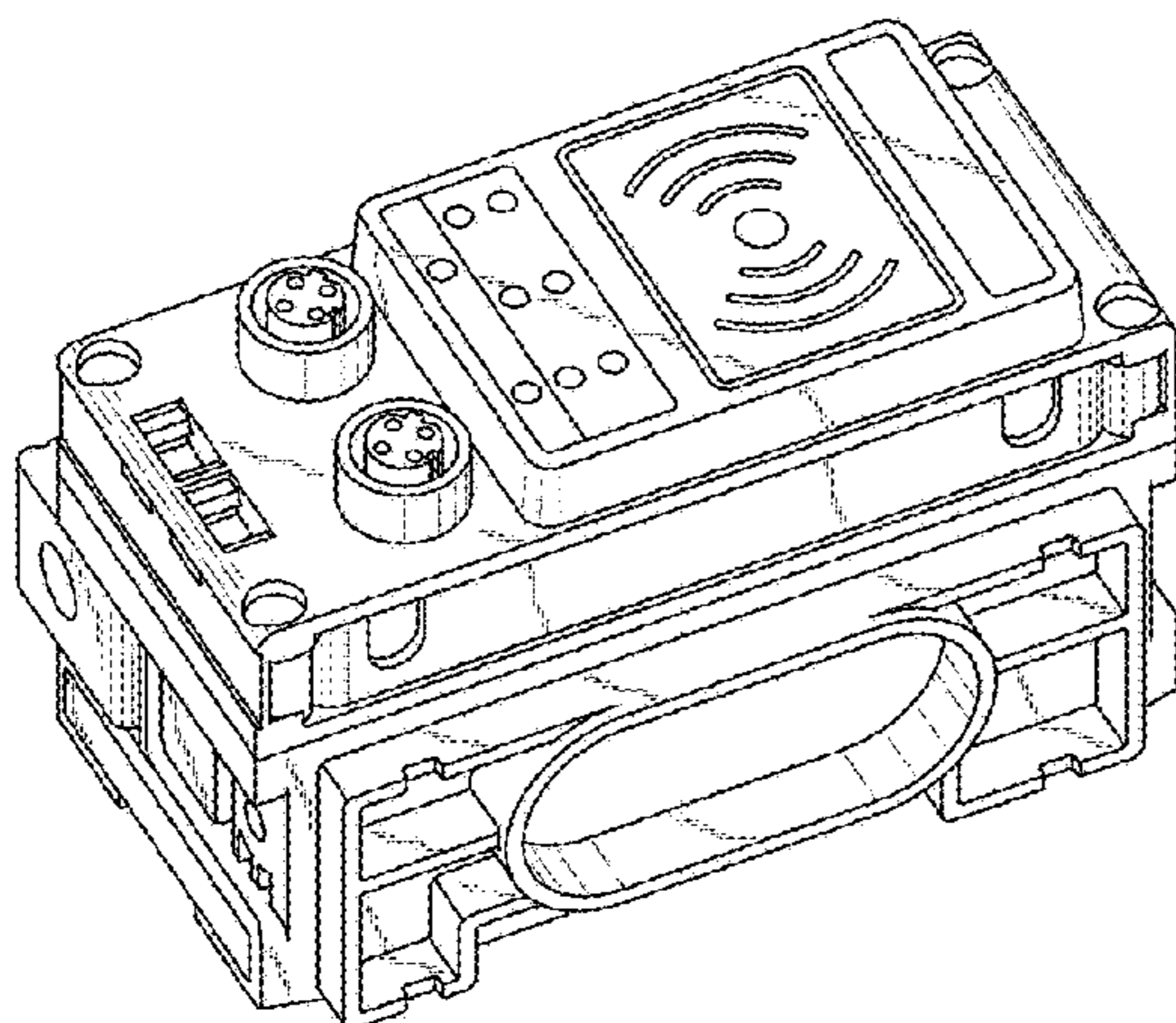


FIG. 15 is a left side view thereof; and,  
FIG. 16 is a right side view thereof.

**1 Claim, 16 Drawing Sheets**

(56)

**References Cited**

U.S. PATENT DOCUMENTS

D388,396 S \* 12/1997 Meloche ..... D13/146  
 5,777,848 A \* 7/1998 McAnally ..... G06F 1/188  
 312/223.2  
 D400,857 S \* 11/1998 Meloche ..... D13/146  
 6,077,125 A \* 6/2000 Emery ..... H01R 9/2433  
 439/638  
 D431,810 S \* 10/2000 Weng ..... D13/110  
 D432,987 S \* 10/2000 Seo ..... D13/123

D433,998 S \* 11/2000 Ishitsuka ..... D13/123  
 D439,883 S \* 4/2001 Miyazoe ..... D13/147  
 D448,344 S \* 9/2001 Ishitsuka ..... D13/123  
 D465,453 S \* 11/2002 Chan ..... D13/110  
 D467,543 S \* 12/2002 Sakasegawa ..... D13/123  
 D541,744 S \* 5/2007 Virolainen ..... D13/110  
 7,352,573 B2 \* 4/2008 Wong ..... G06F 1/20  
 361/690  
 7,397,668 B2 7/2008 Sekine et al.  
 D596,582 S \* 7/2009 Stuckmann ..... D13/152  
 D597,027 S \* 7/2009 Tanabe ..... D13/110  
 D597,174 S 7/2009 Miyazoe  
 D633,441 S \* 3/2011 Ishimaru ..... D13/110  
 D705,728 S \* 5/2014 Choi ..... D13/110  
 D709,829 S \* 7/2014 McKee ..... D13/110  
 D736,713 S \* 8/2015 Sekine ..... D13/147  
 D737,765 S \* 9/2015 Sekine ..... D13/110  
 D748,060 S \* 1/2016 Andersson ..... D13/147  
 D750,023 S \* 2/2016 Sasano ..... D13/146

\* cited by examiner

FIG. 1

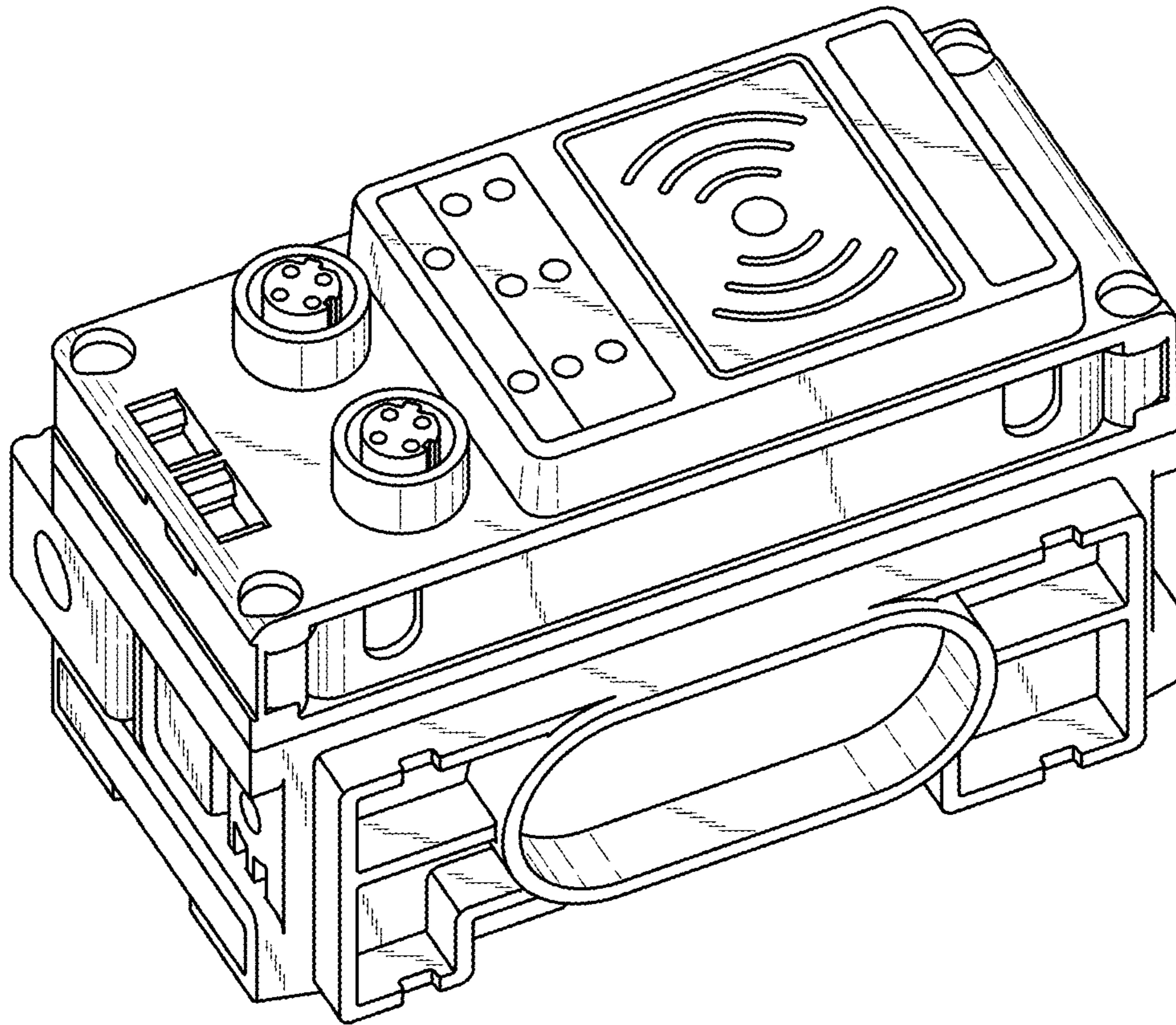


FIG. 2

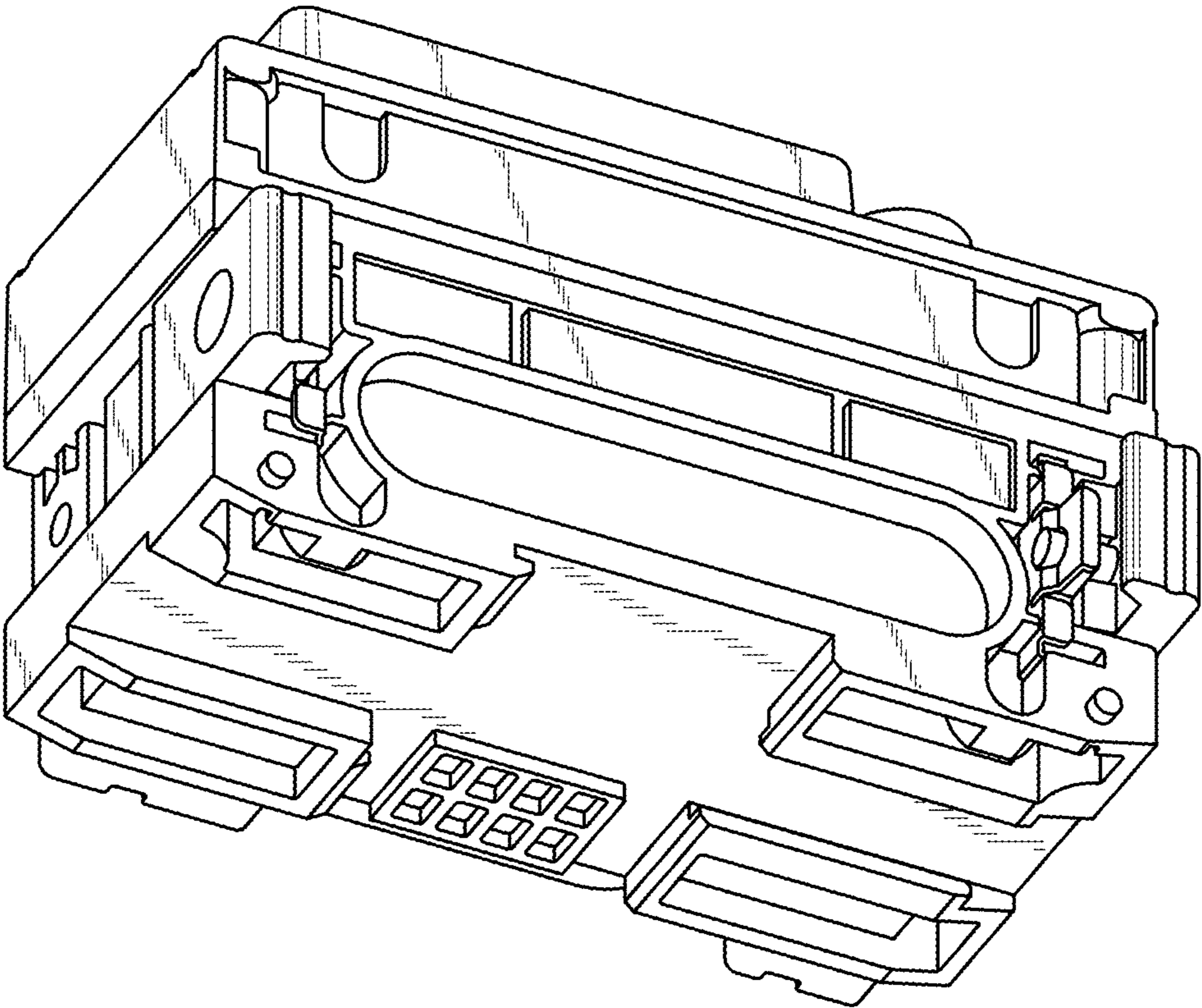


FIG. 3

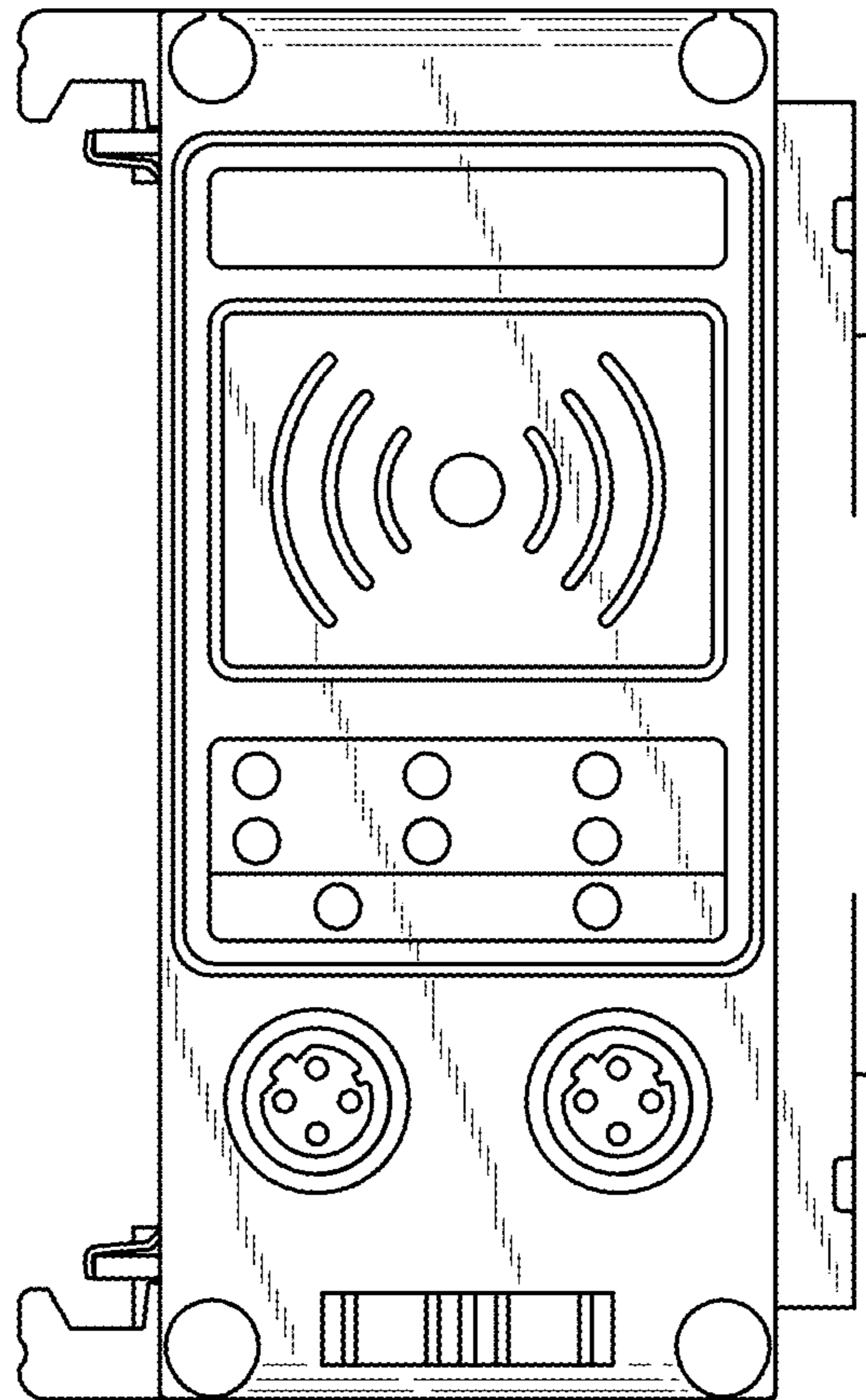


FIG. 4

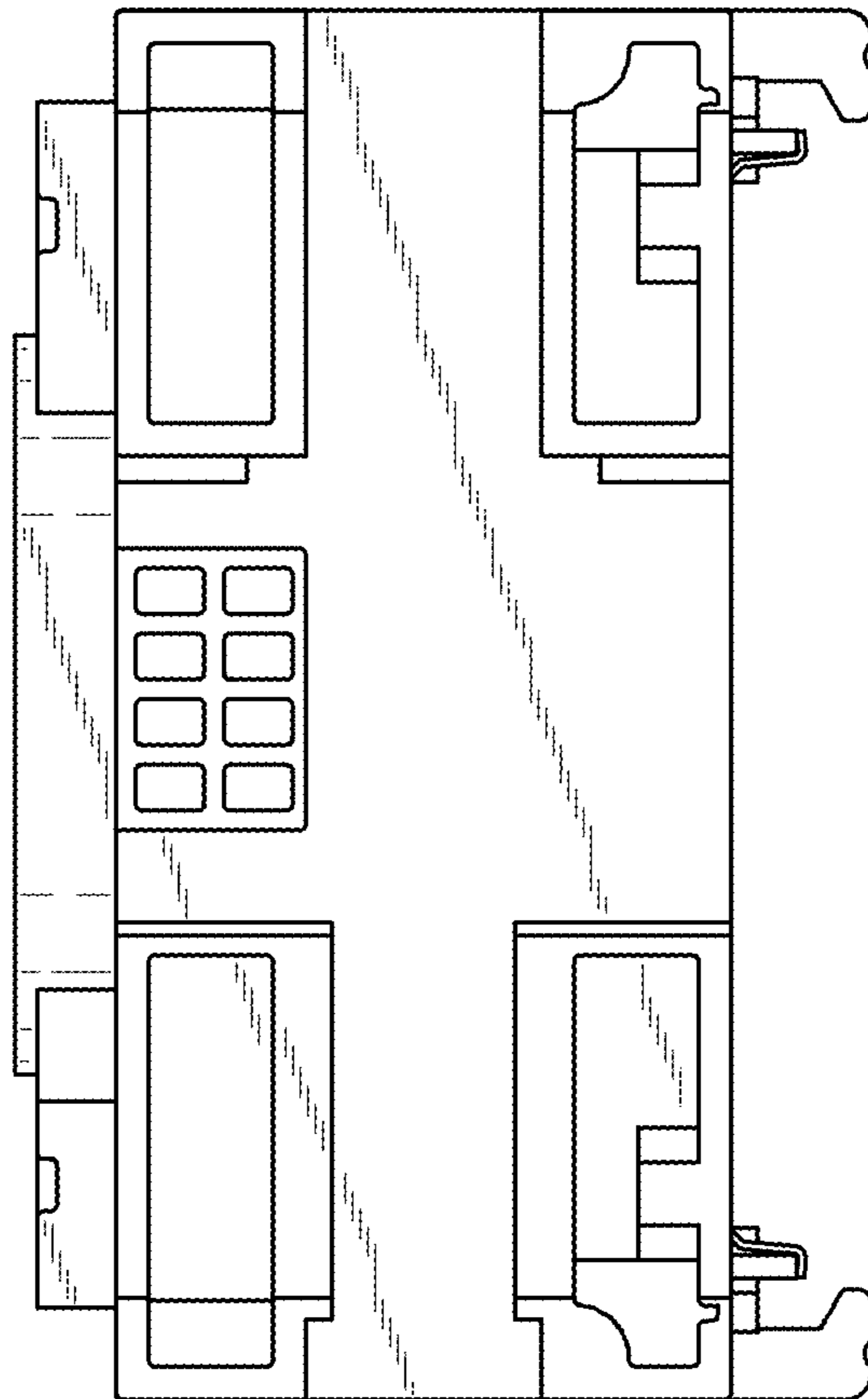


FIG. 5

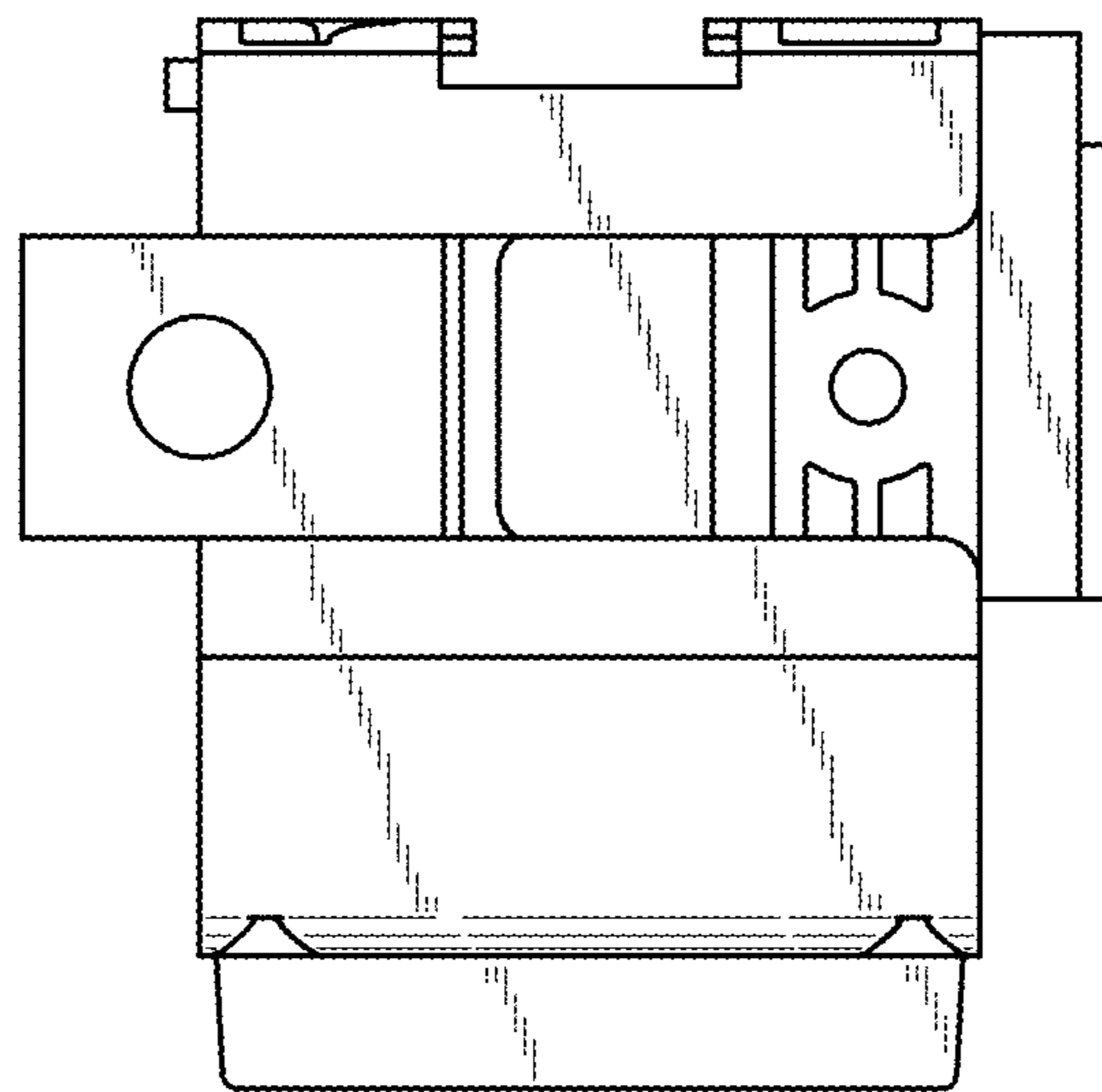


FIG. 6

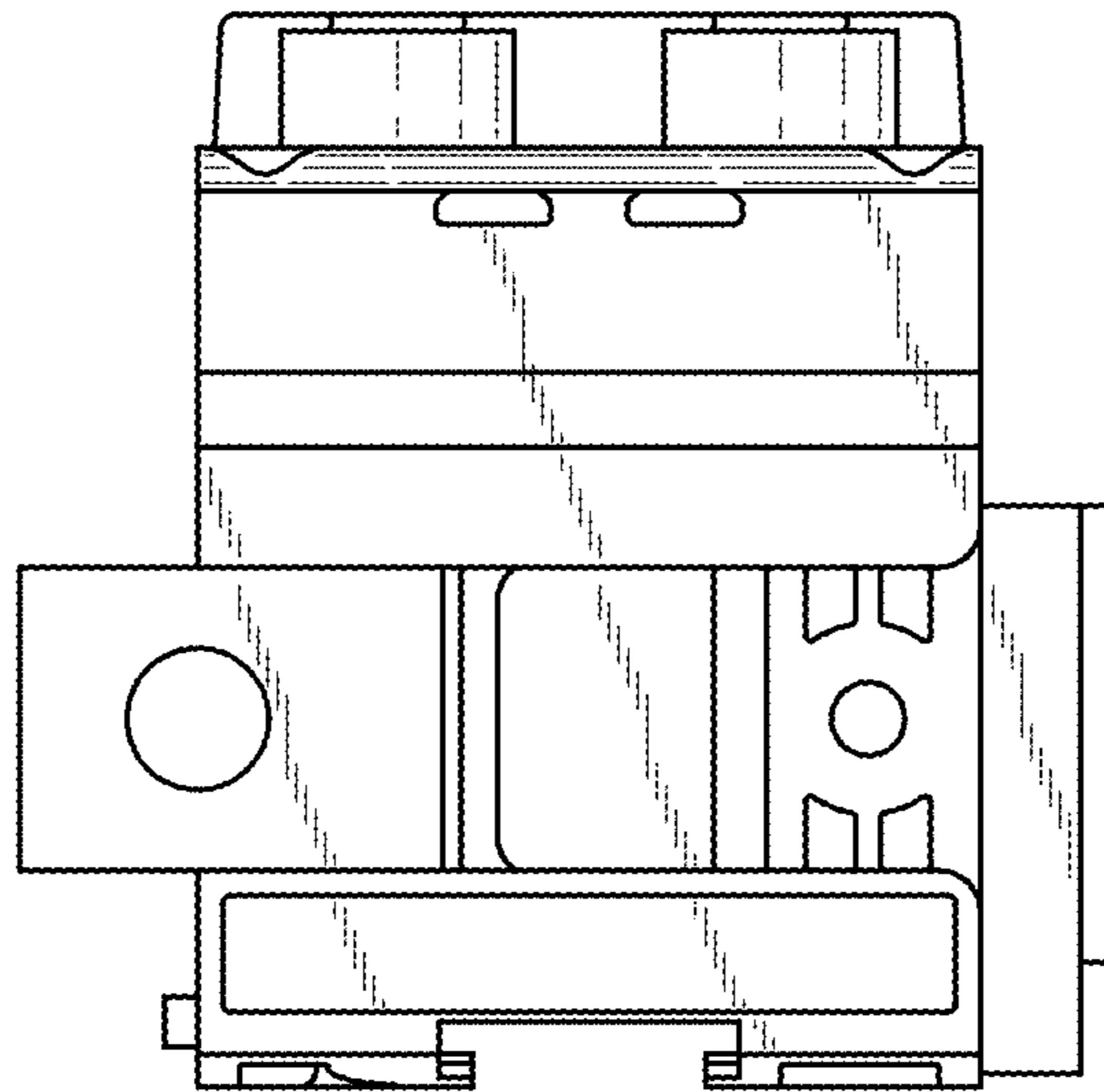




FIG. 7

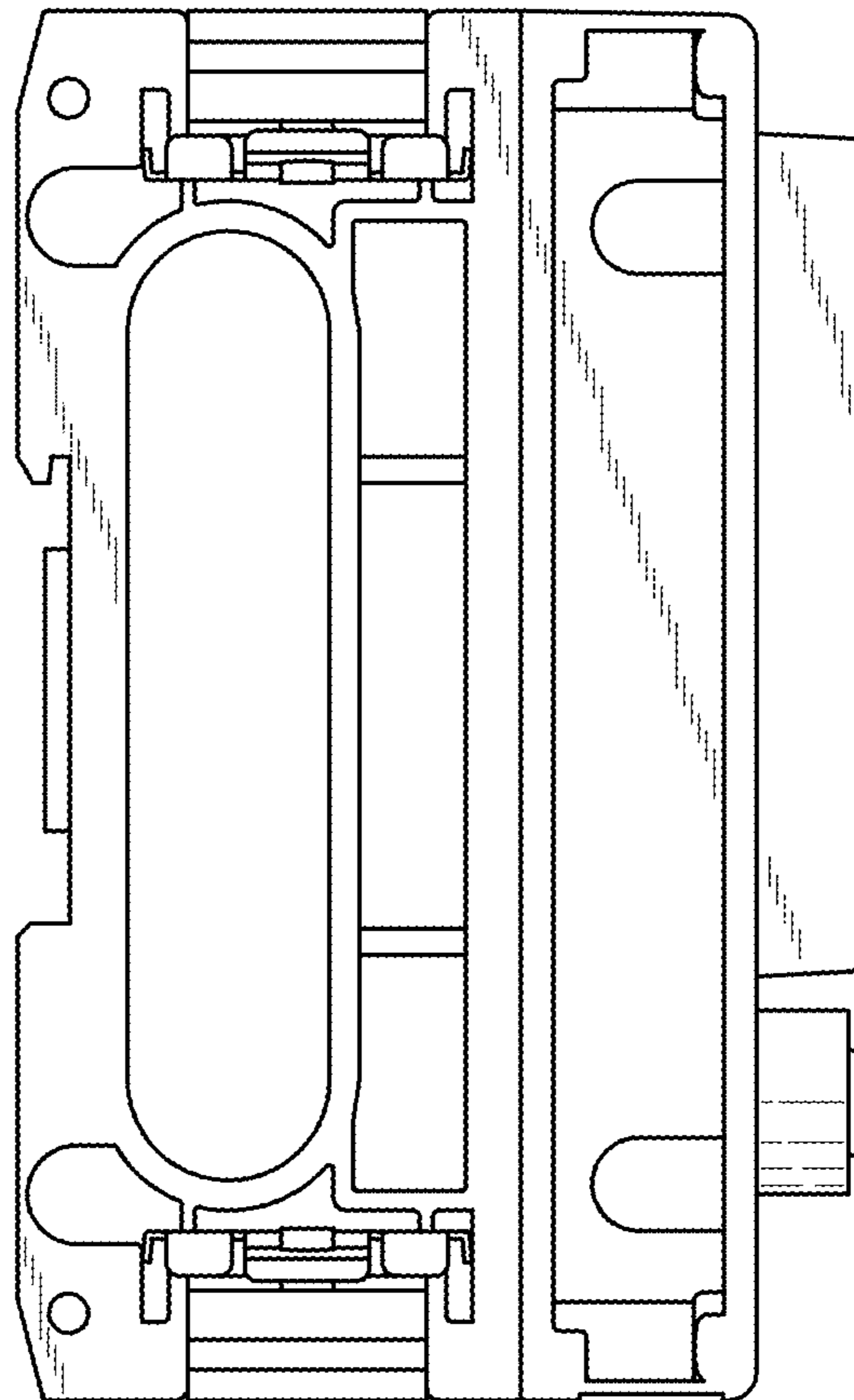


FIG. 8

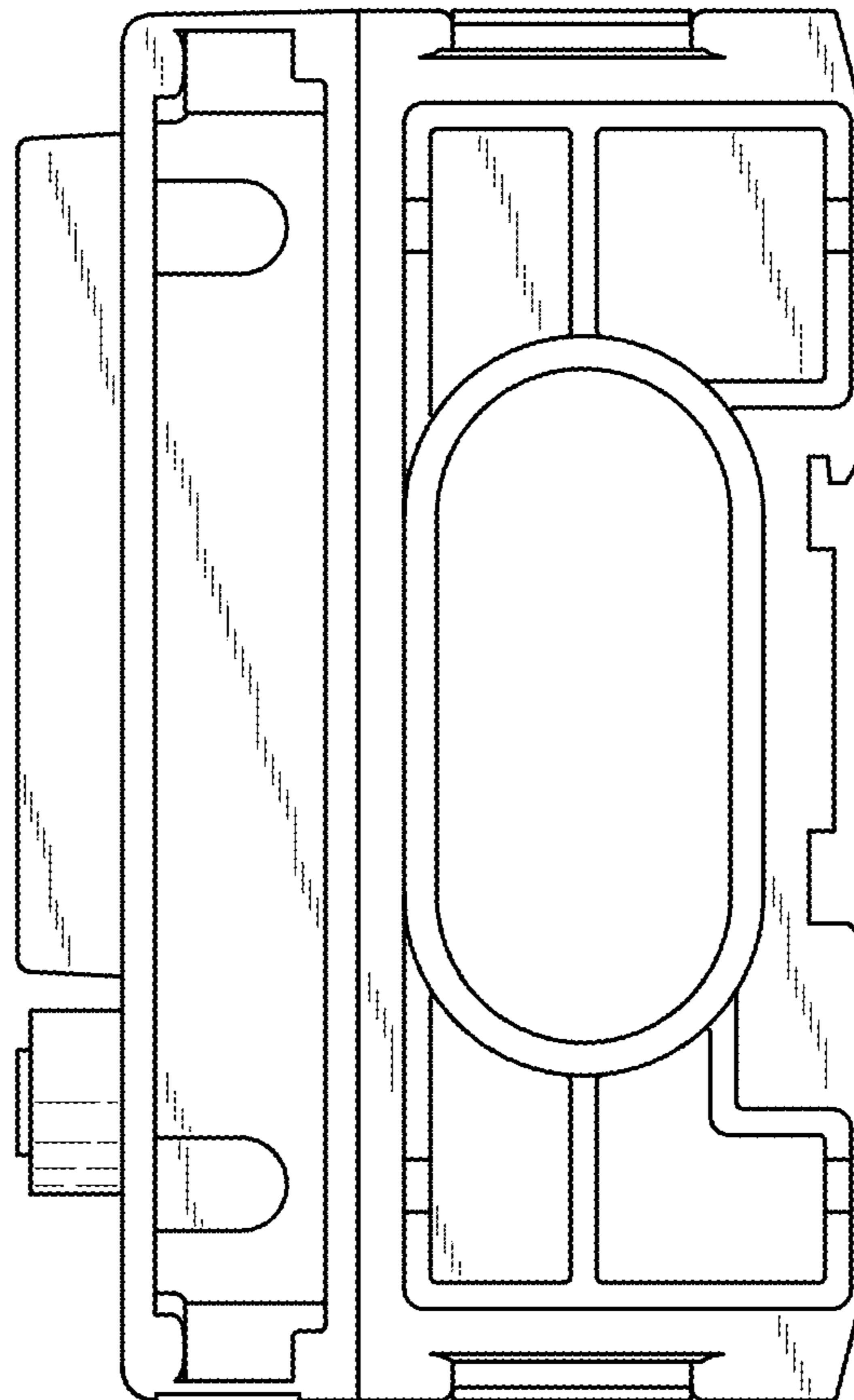


FIG. 9

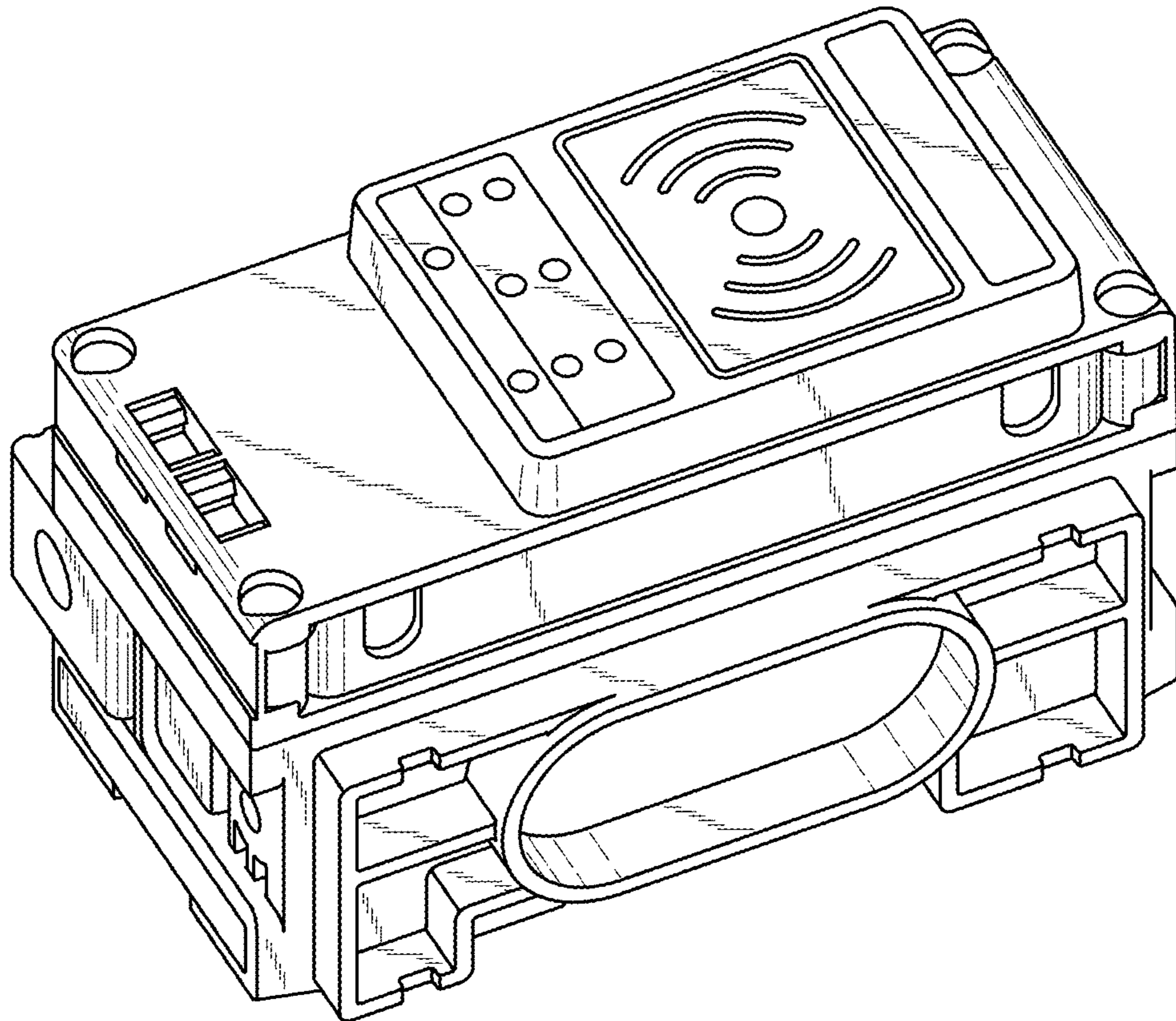


FIG. 10

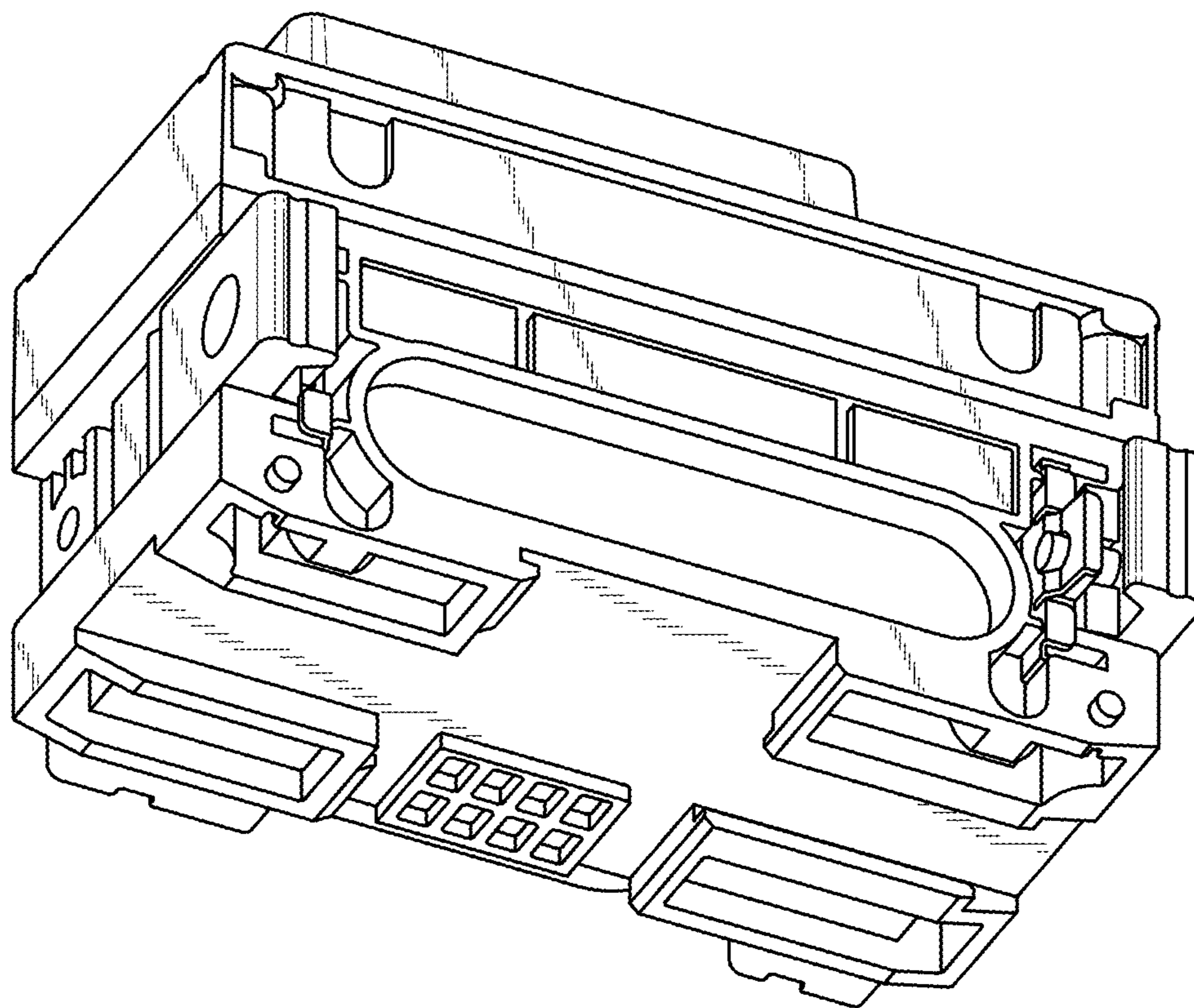


FIG. 11

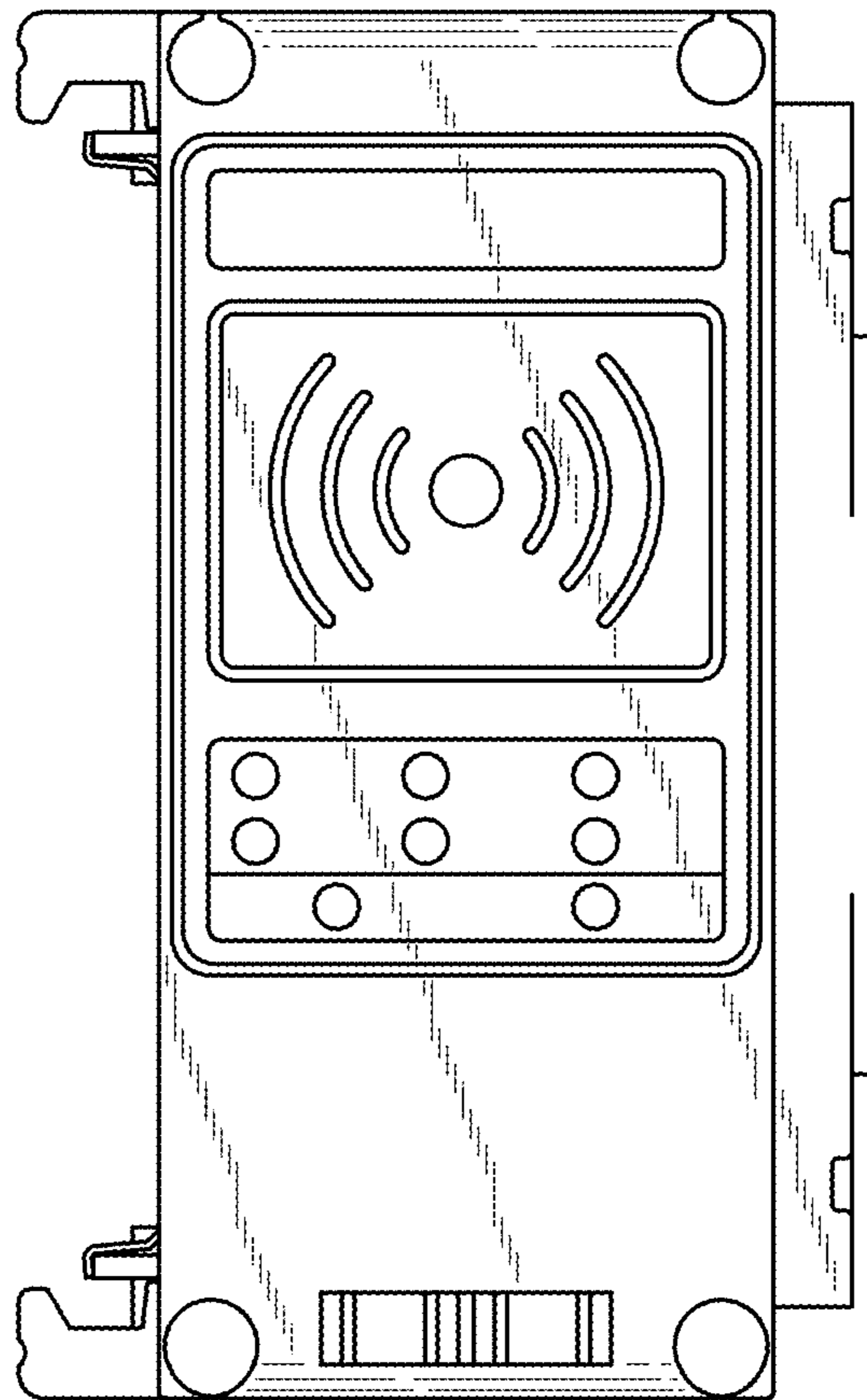


FIG. 12

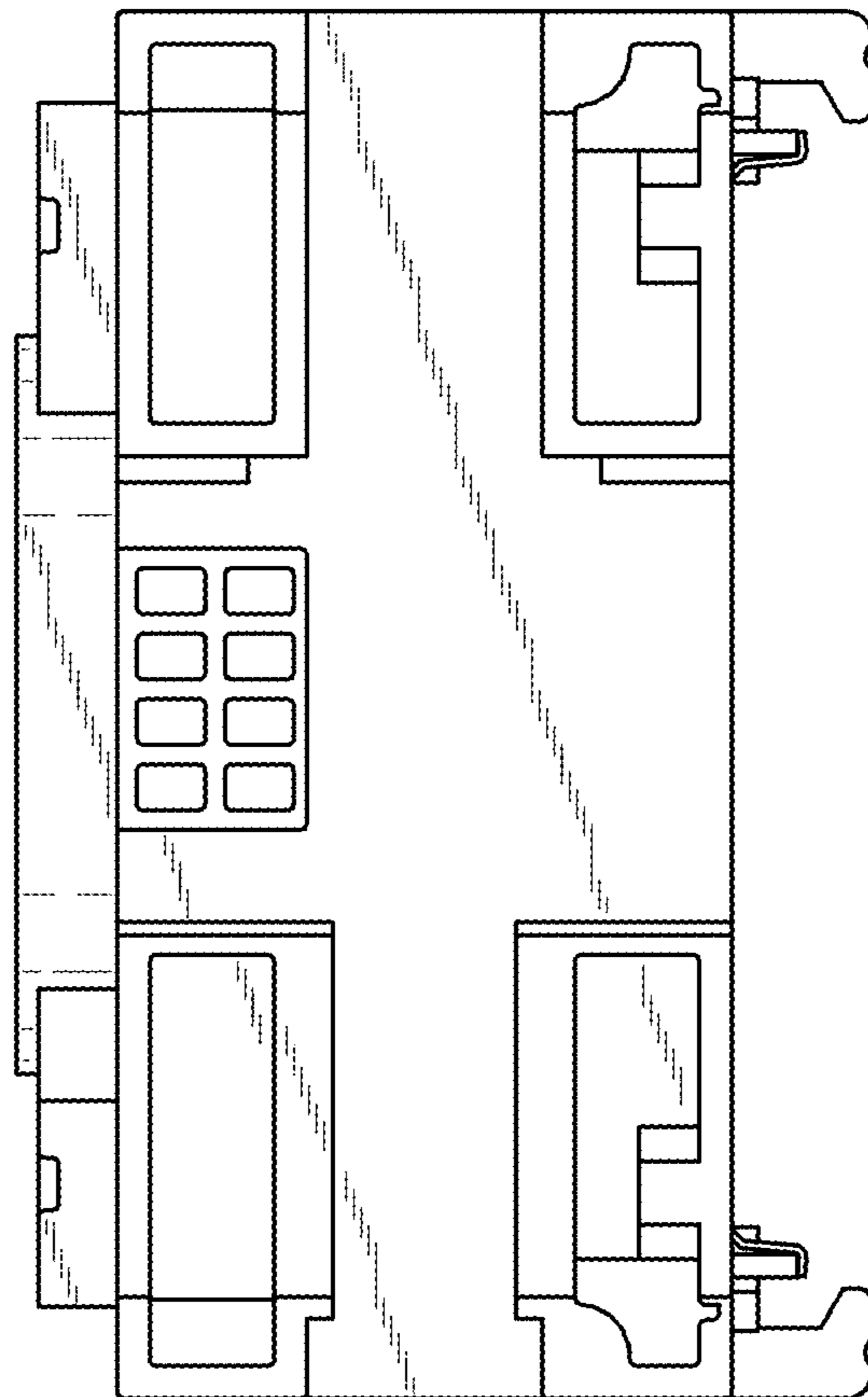


FIG. 13

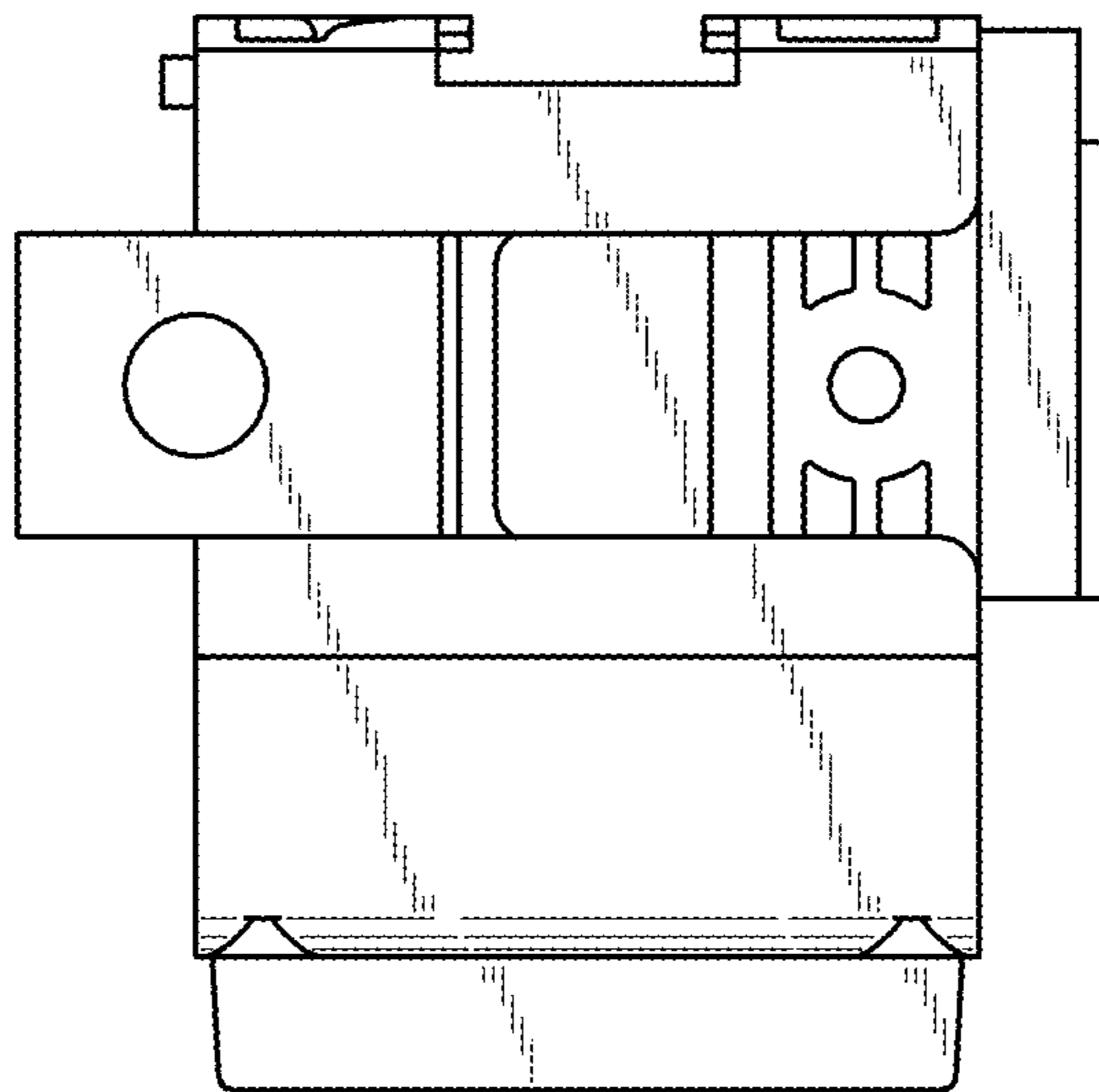


FIG. 14

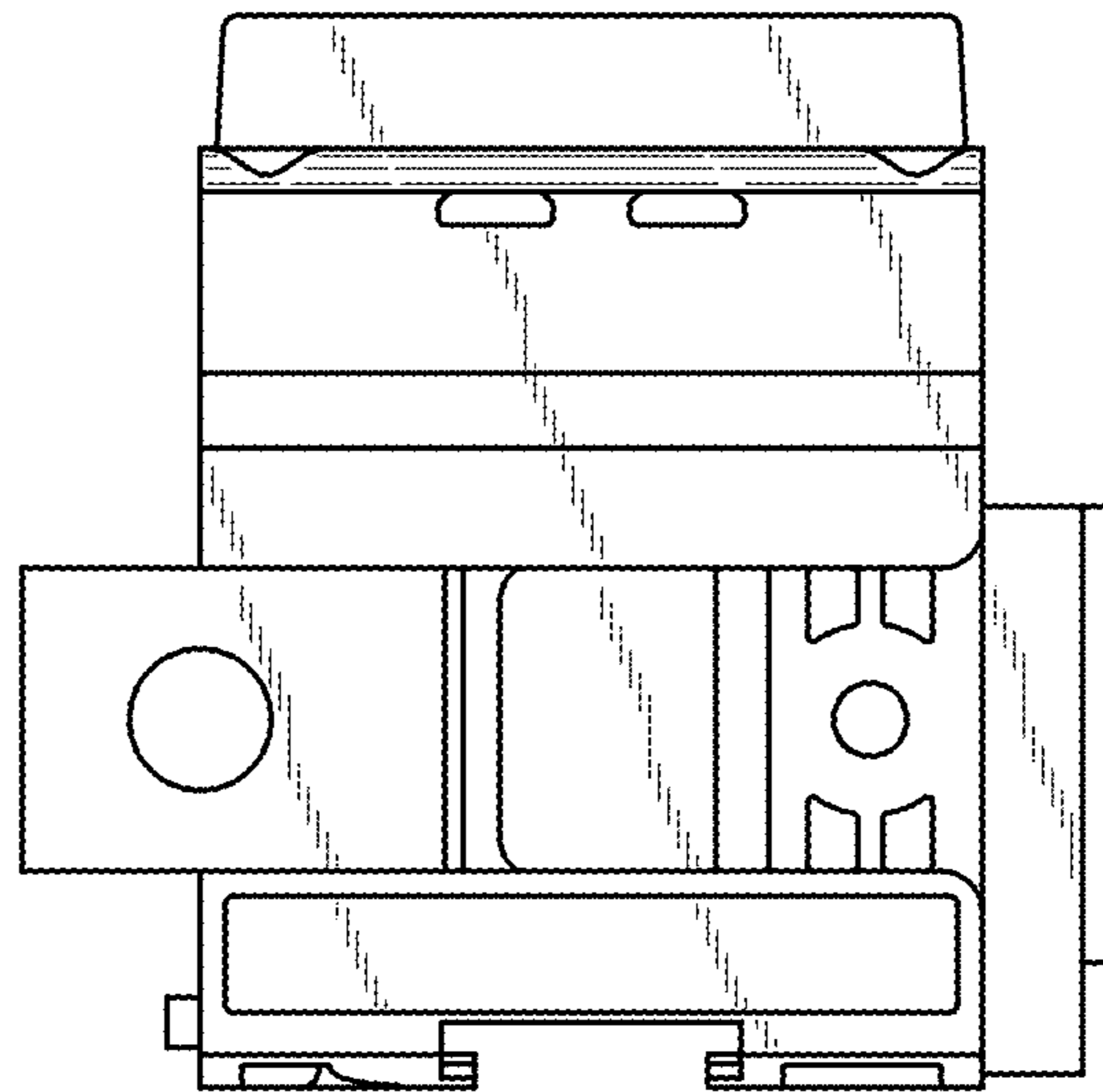




FIG. 15

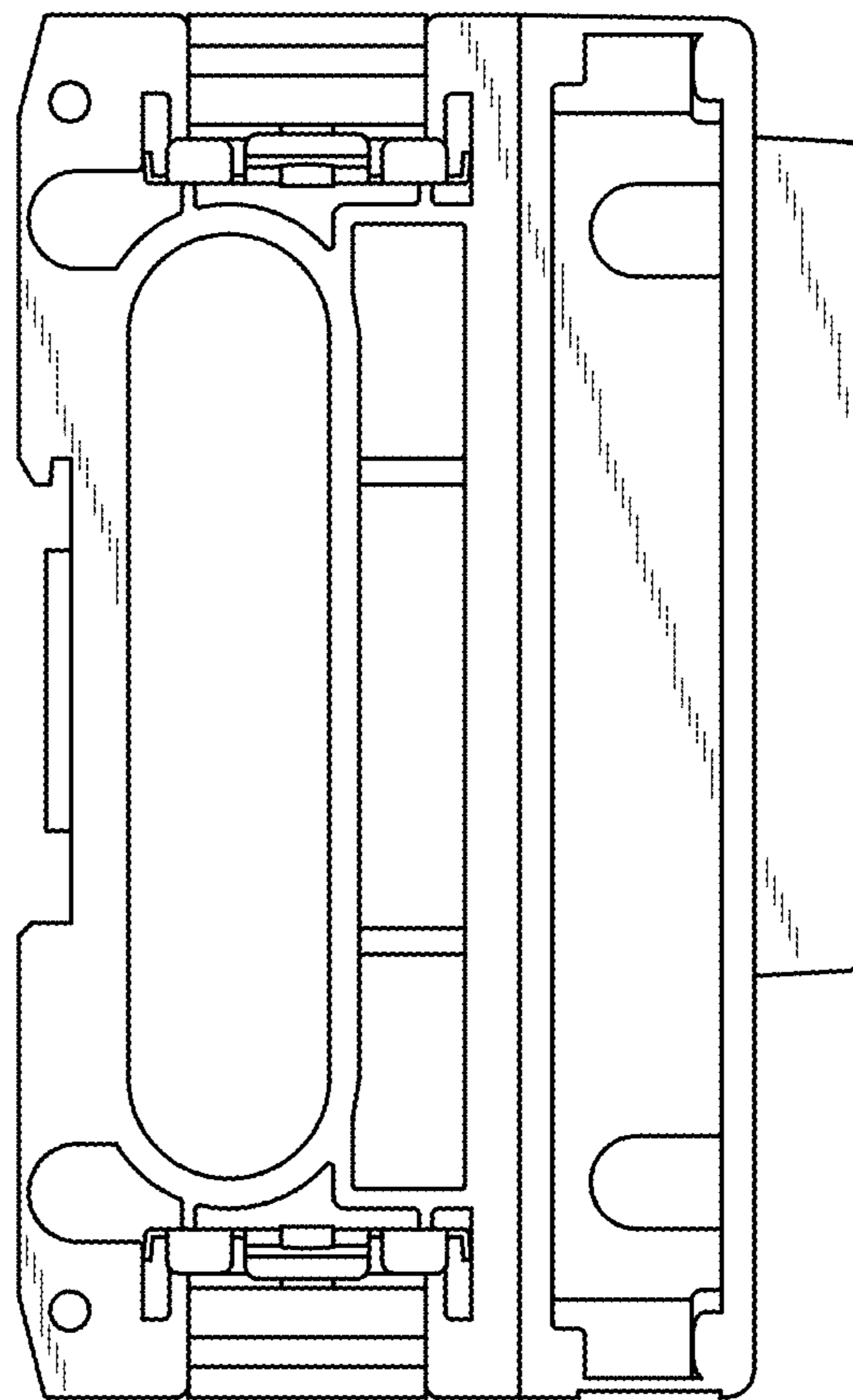


FIG. 16

