



US00D788699S

(12) **United States Design Patent**  
**Hoehn**

(10) **Patent No.:** **US D788,699 S**

(45) **Date of Patent:** **\*\* Jun. 6, 2017**

(54) **CHARGING STAND**

(71) Applicant: **Gibson Innovations Belgium NV**,  
Leuven (BE)

(72) Inventor: **Holger Hoehn**, Hong Kong (CN)

(73) Assignee: **Gibson Innovations Belgium NV**,  
Leuven (BE)

(\*\*) Term: **15 Years**

(21) Appl. No.: **29/556,869**

(22) Filed: **Mar. 3, 2016**

(30) **Foreign Application Priority Data**

Sep. 7, 2015 (EM) ..... 002767590

(51) **LOC (10) Cl.** ..... **13-02**

(52) **U.S. Cl.**  
USPC ..... **D13/107**

(58) **Field of Classification Search**

USPC ..... D13/107-110, 118-119, 184; D14/251,  
D14/253, 432, 434, 447

CPC ..... Y02E 60/12; Y02T 90/14; Y02T 90/122;  
Y02T 90/128; Y02T 90/163; H02J 7/025;  
H02J 7/0042; H02J 7/0044; H02J 7/0045;  
H02J 7/0003; H01F 38/14; H01R  
13/6675; H01M 2/1022; H01M 2/1055;  
H01M 10/44; H01M 10/46; H01M  
10/425; B60L 11/182

See application file for complete search history.

(56) **References Cited**

**U.S. PATENT DOCUMENTS**

D676,055 S \* 2/2013 Izen ..... D14/447  
D680,117 S \* 4/2013 Ho ..... D14/318  
D682,200 S \* 5/2013 Rautiainen ..... D13/108  
D685,379 S \* 7/2013 Richter ..... D14/253  
D687,440 S \* 8/2013 Shieh ..... D14/447  
D688,235 S \* 8/2013 Song ..... D14/253

D689,045 S \* 9/2013 Mardas ..... D14/253  
D697,920 S \* 1/2014 Fujioka ..... D14/447  
D703,214 S \* 4/2014 Lye ..... D14/447  
D749,508 S \* 2/2016 Ireland ..... D13/108

(Continued)

*Primary Examiner* — Rosemary K Tarcza

*Assistant Examiner* — Christy Nemeth

(74) *Attorney, Agent, or Firm* — Bates & Bates, LLC;  
Kathryn Cox

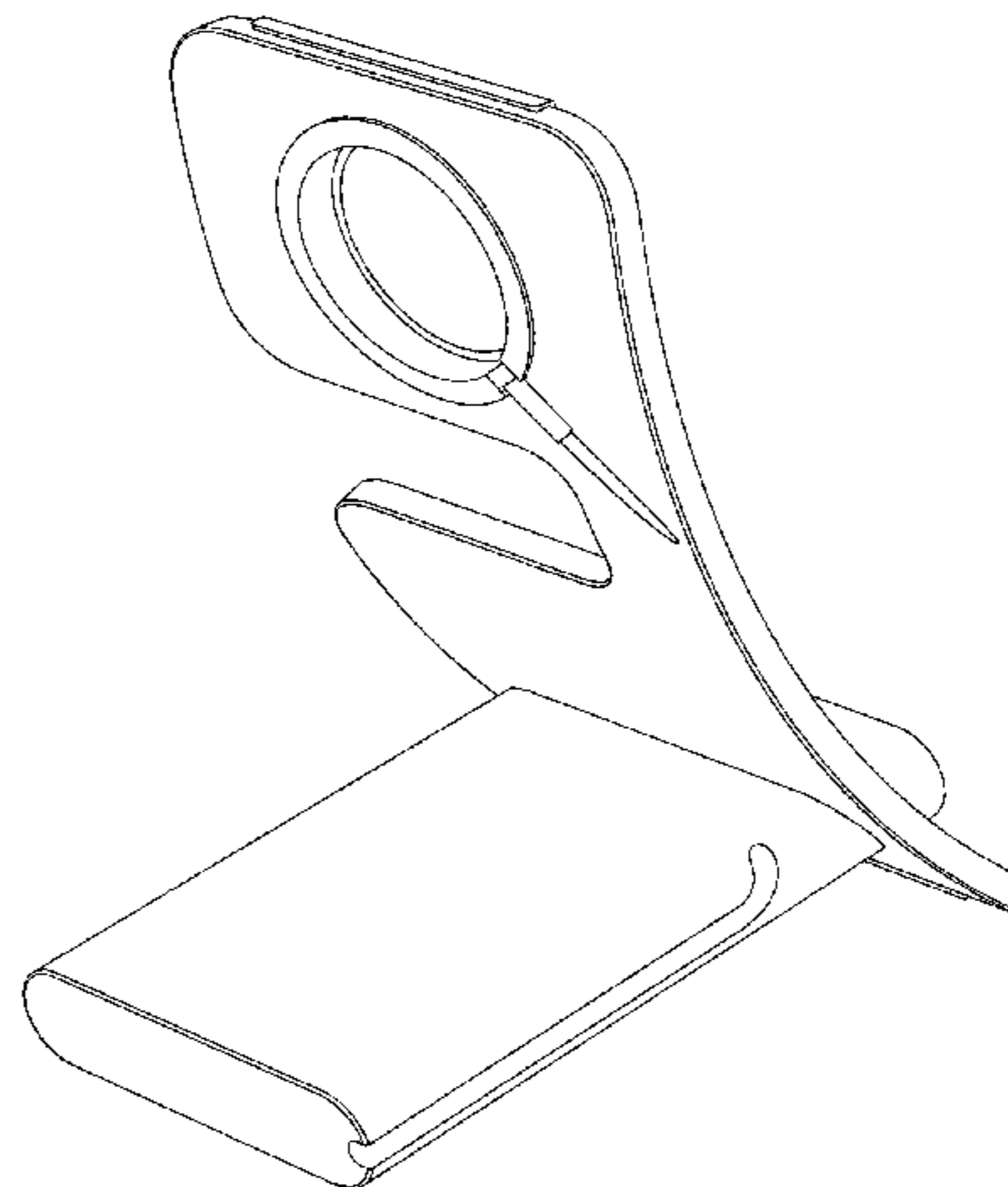
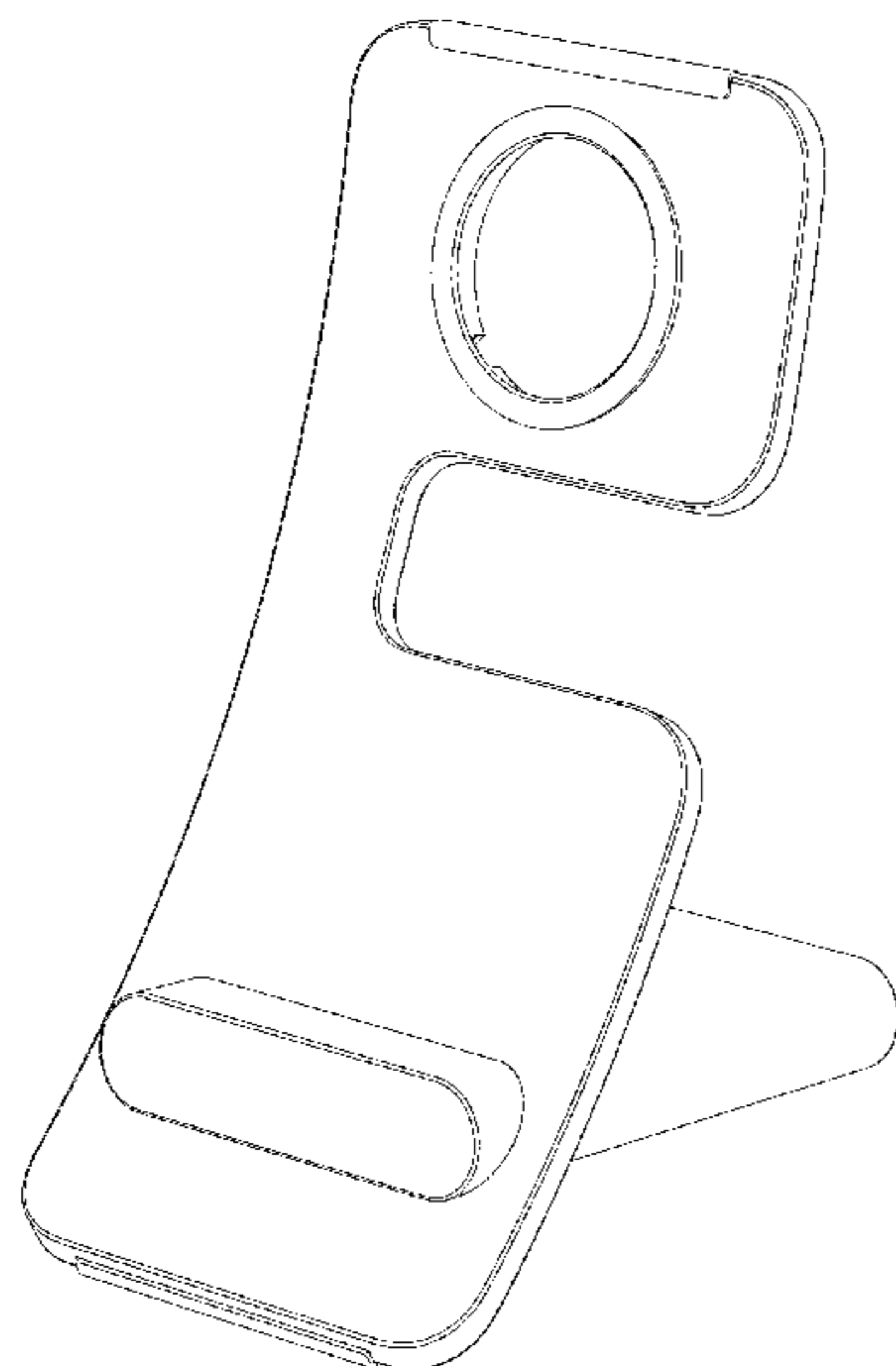
(57) **CLAIM**

What is claimed is the ornamental design for a charging stand, as shown and described.

**DESCRIPTION**

FIG. 1 is a right perspective view of the charging stand;  
FIG. 2 is a left perspective view of the charging stand;  
FIG. 3 is a front view of the charging stand;  
FIG. 4 is a rear view of the charging stand;  
FIG. 5 is a right side view of the charging stand;  
FIG. 6 is a left side view of the charging stand;  
FIG. 7 is a top view of the charging stand;  
FIG. 8 is a bottom view of the charging stand;  
FIG. 9 is a right perspective view of an alternative embodiment of the charging stand;  
FIG. 10 is a left perspective view of an alternative embodiment of the charging stand;  
FIG. 11 is a front view of an alternative embodiment of the charging stand;  
FIG. 12 is a rear view of an alternative embodiment of the charging stand;  
FIG. 13 is a right side view of an alternative embodiment of the charging stand;  
FIG. 14 is a left side view of an alternative embodiment of the charging stand;  
FIG. 15 is a top view of an alternative embodiment of the charging stand; and,  
FIG. 16 is a bottom view of an alternative embodiment of the charging stand.

**1 Claim, 16 Drawing Sheets**



(56)

**References Cited**

U.S. PATENT DOCUMENTS

D772,216 S \* 11/2016 Lau ..... D13/108  
D776,667 S \* 1/2017 Fujioka ..... D14/447

\* cited by examiner

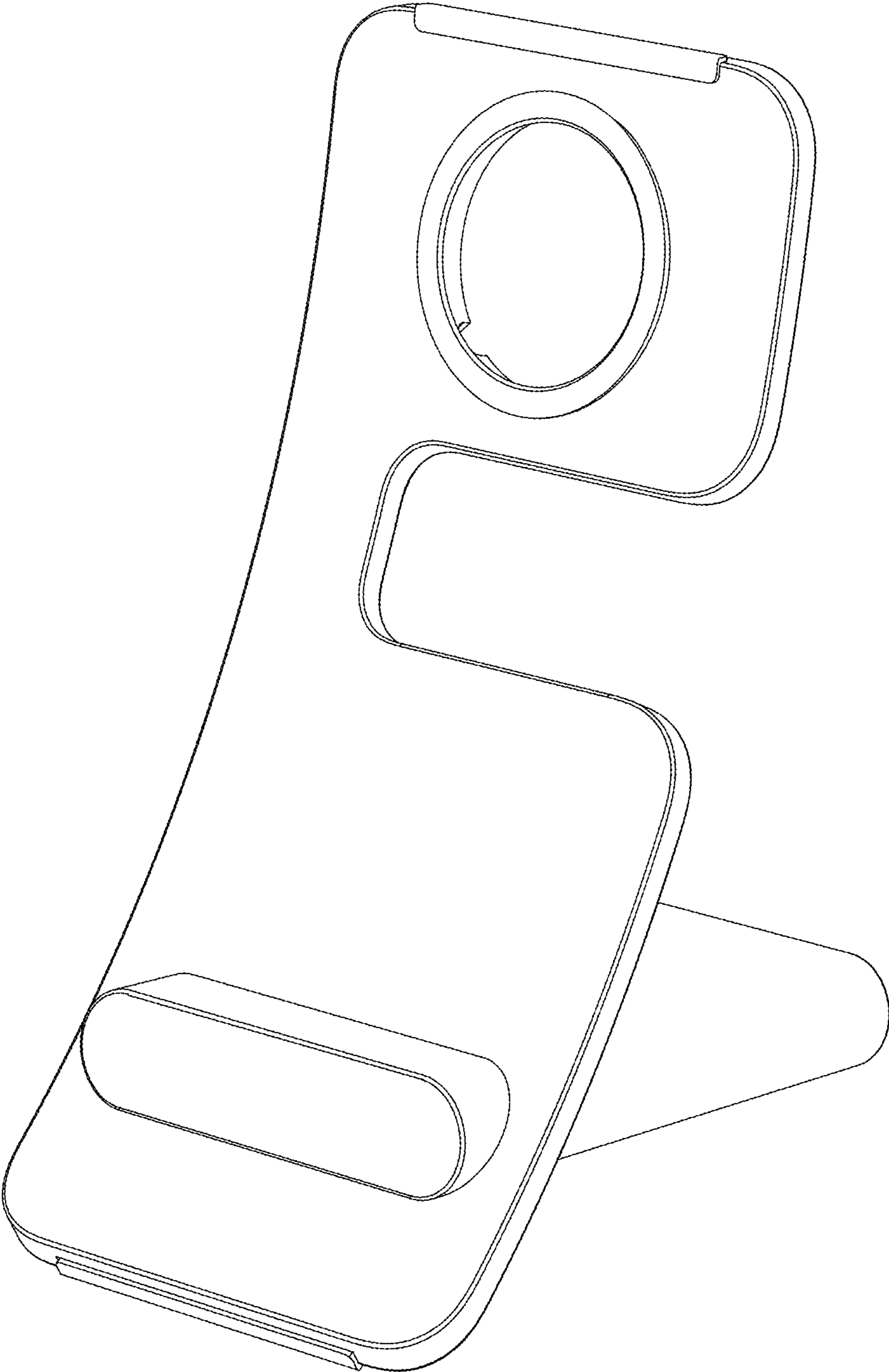


FIG. 1

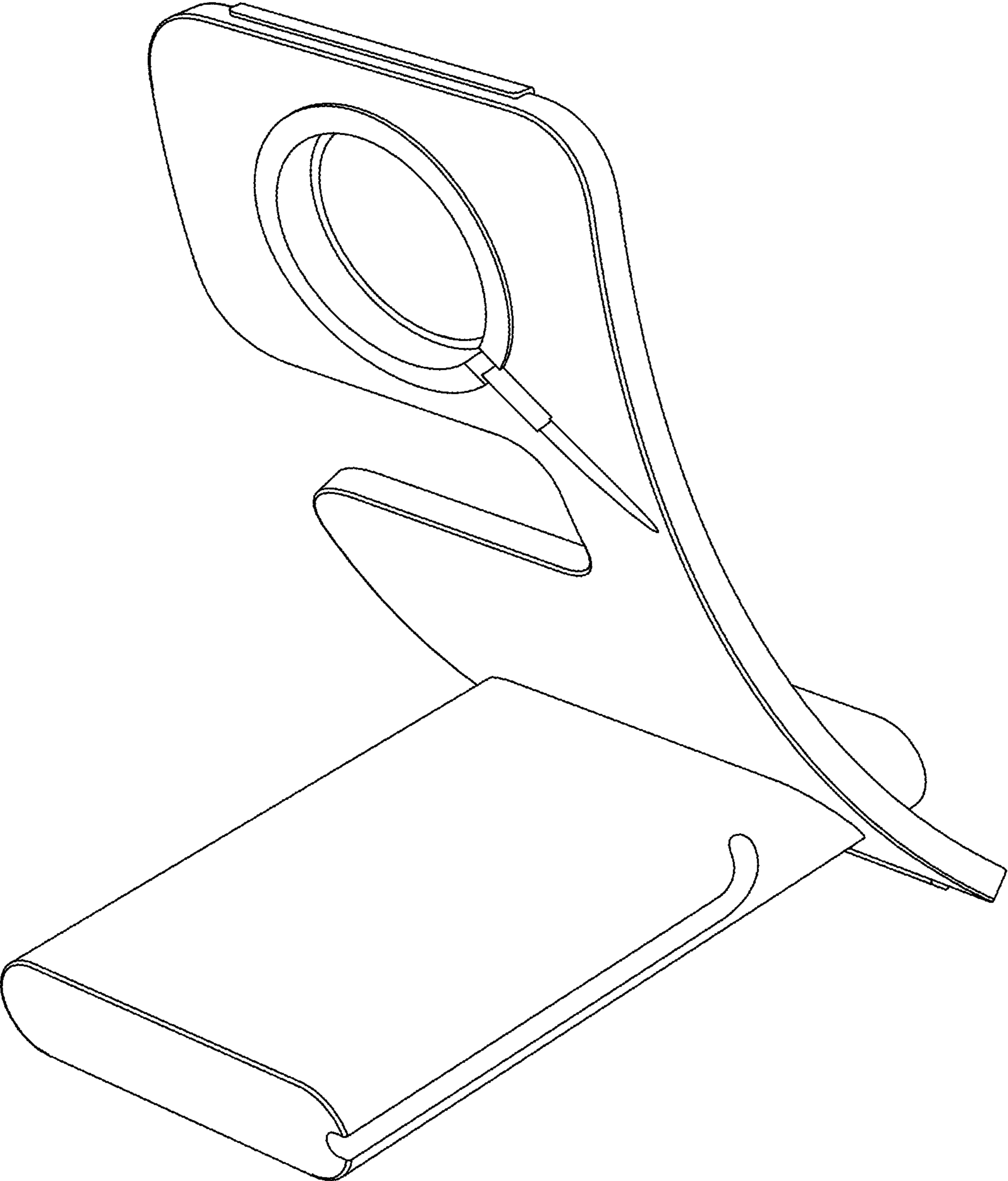


FIG. 2

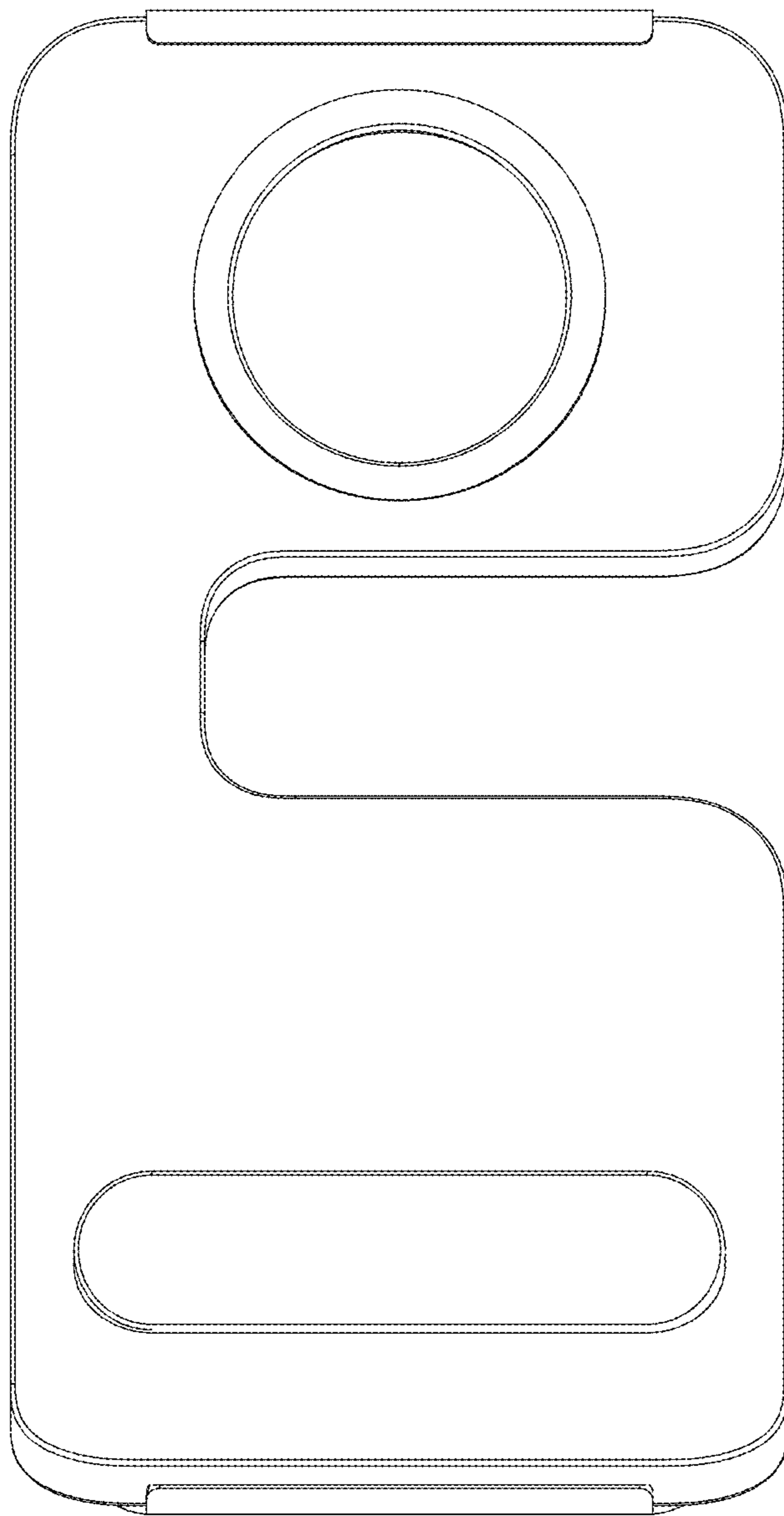


FIG. 3

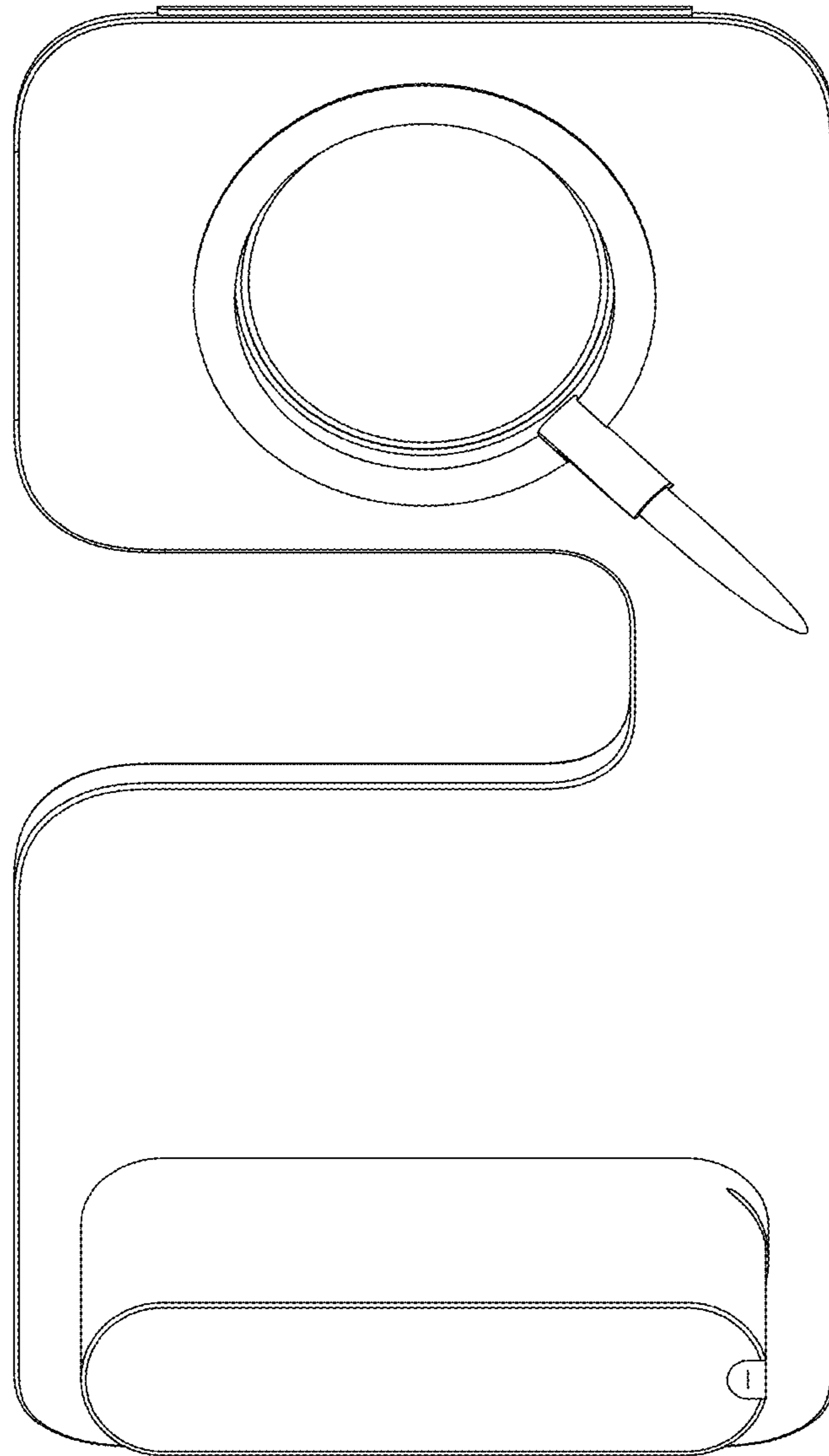


FIG. 4

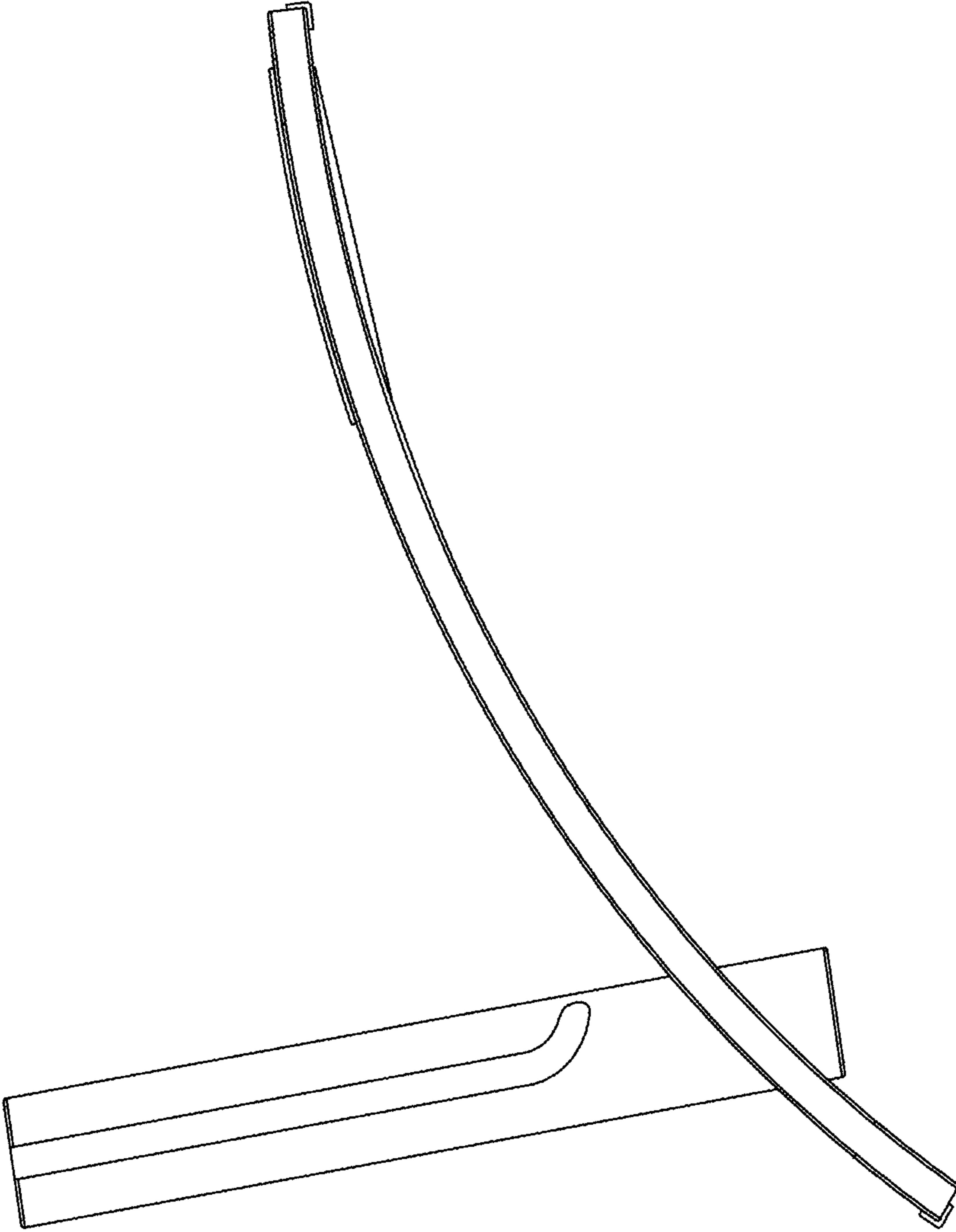


FIG. 5

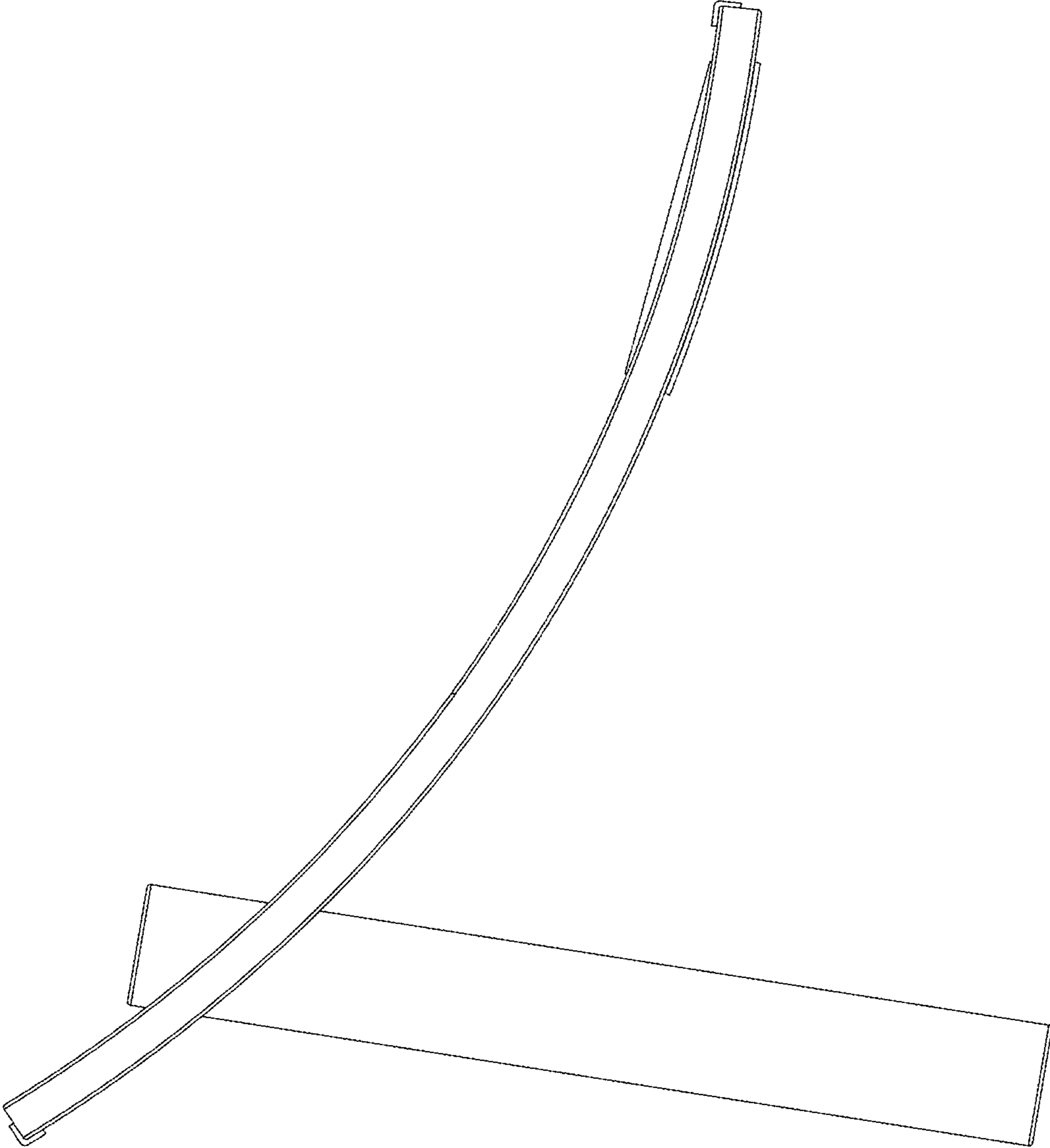


FIG. 6



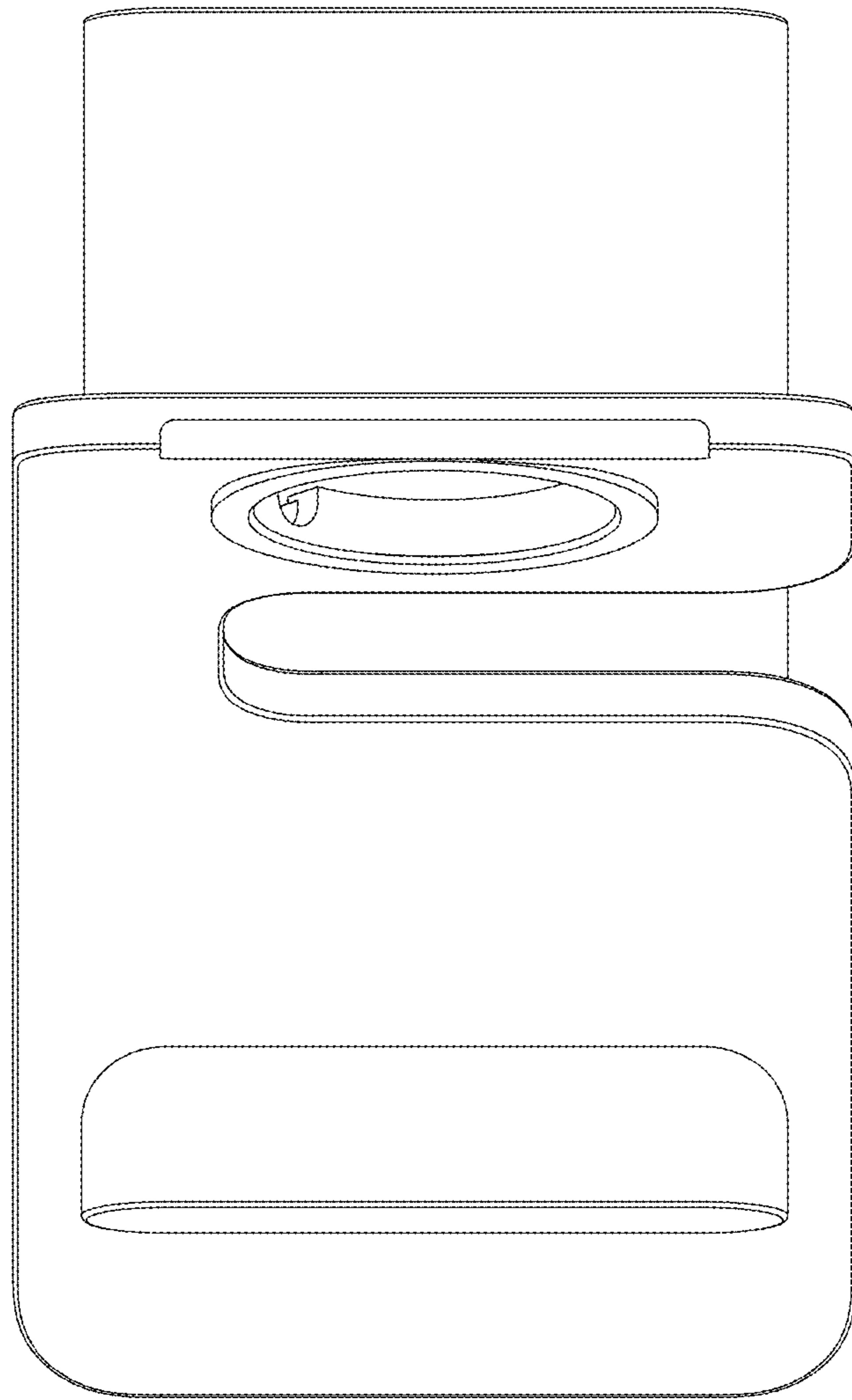


FIG. 7

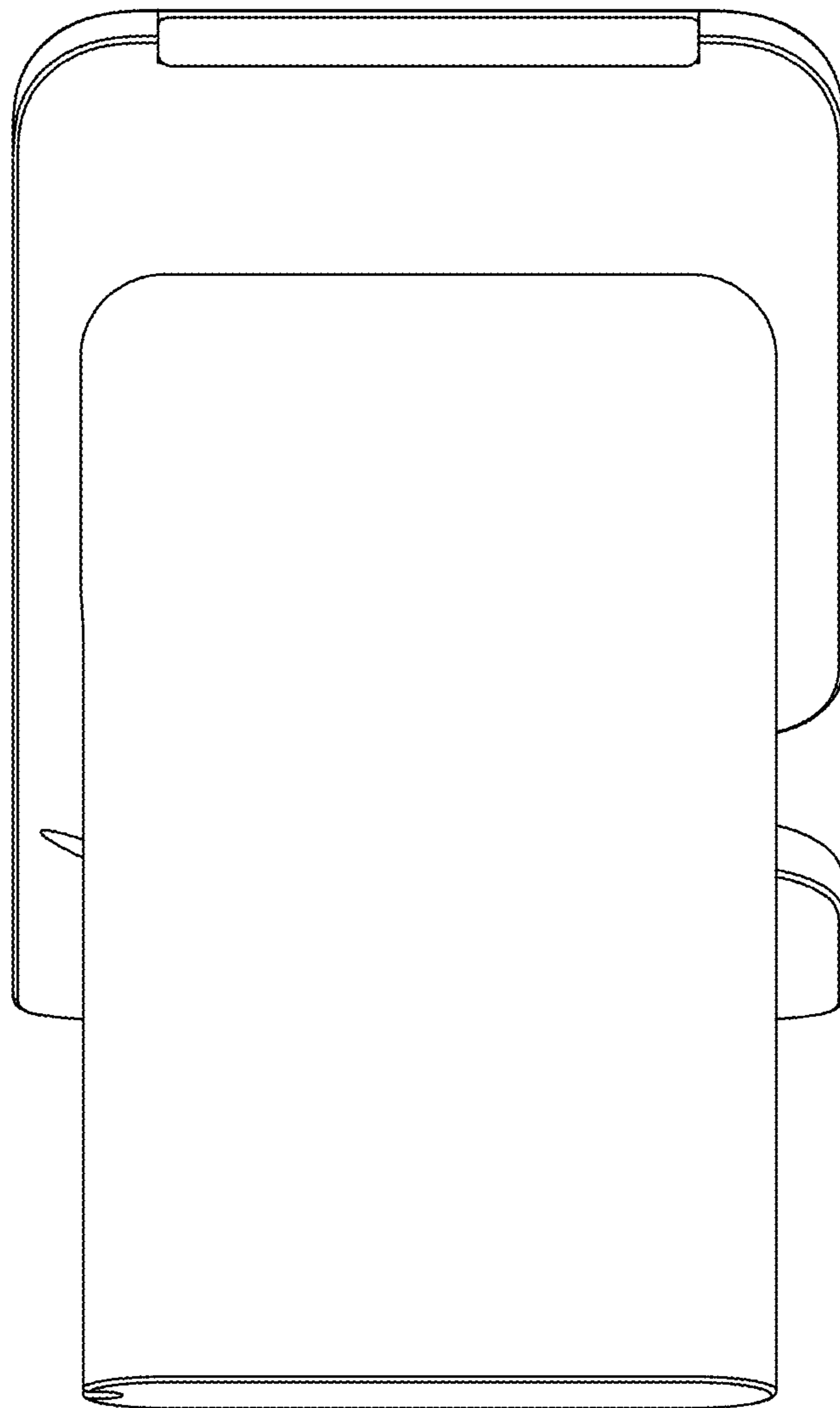


FIG. 8

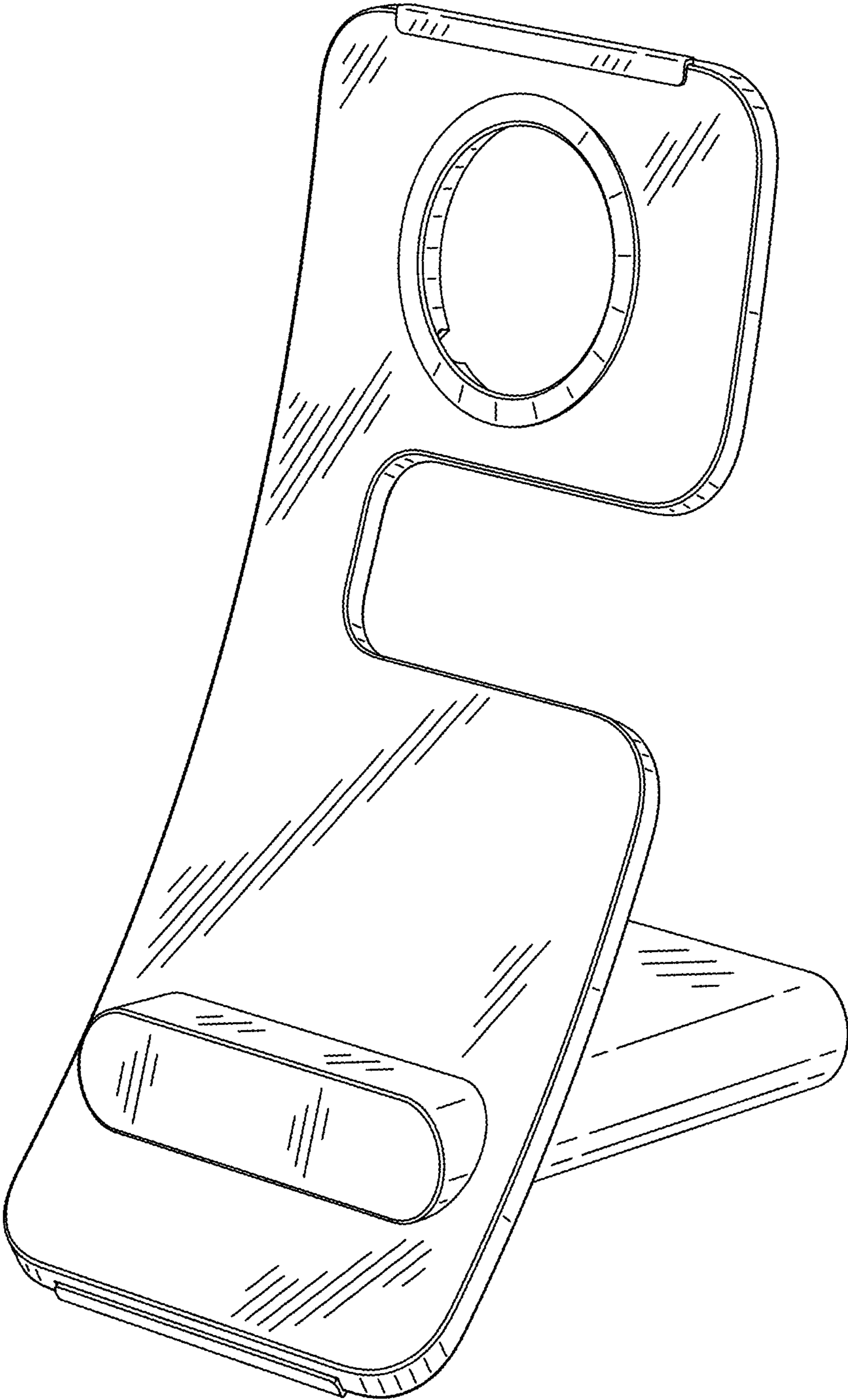


FIG. 9

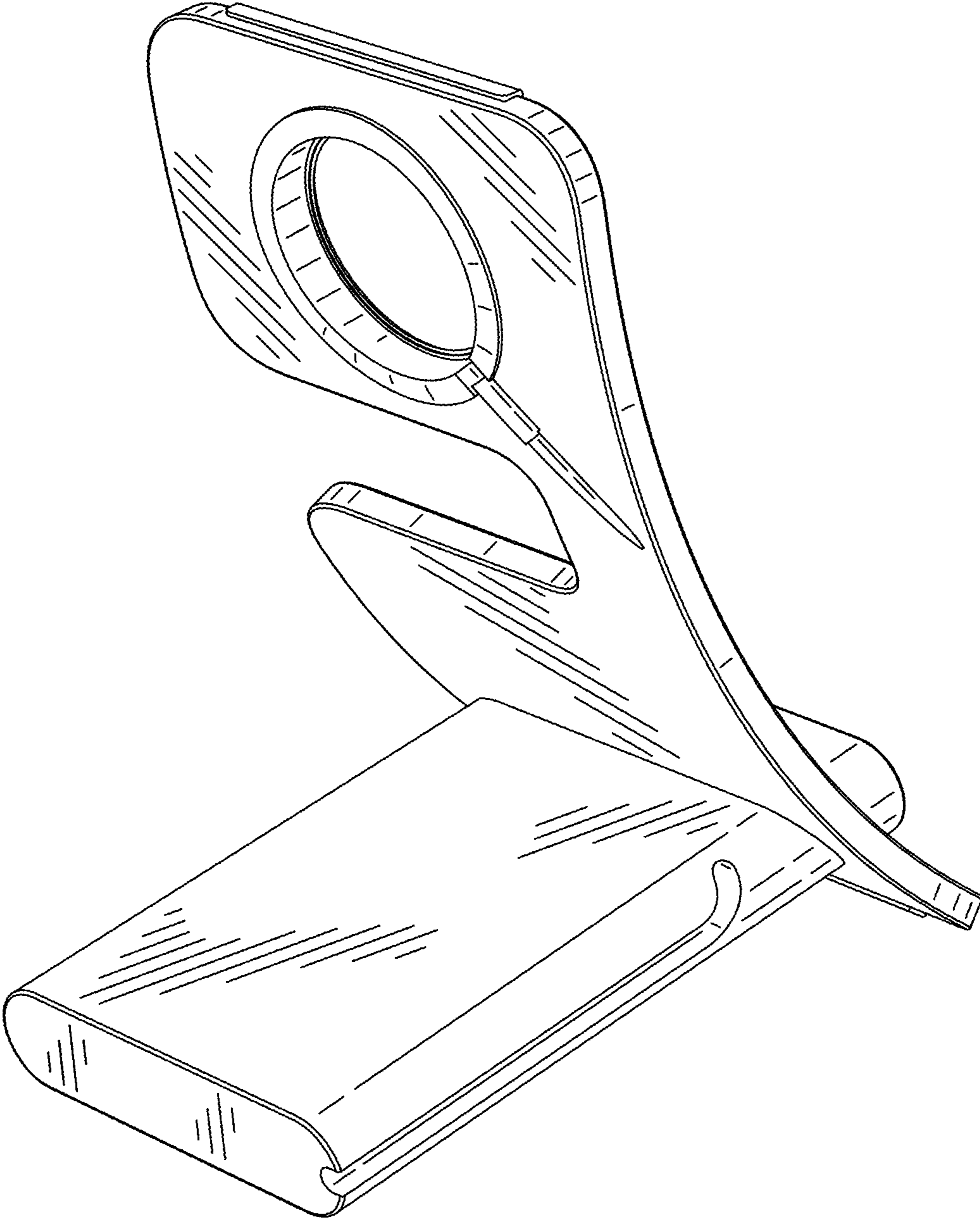


FIG. 10

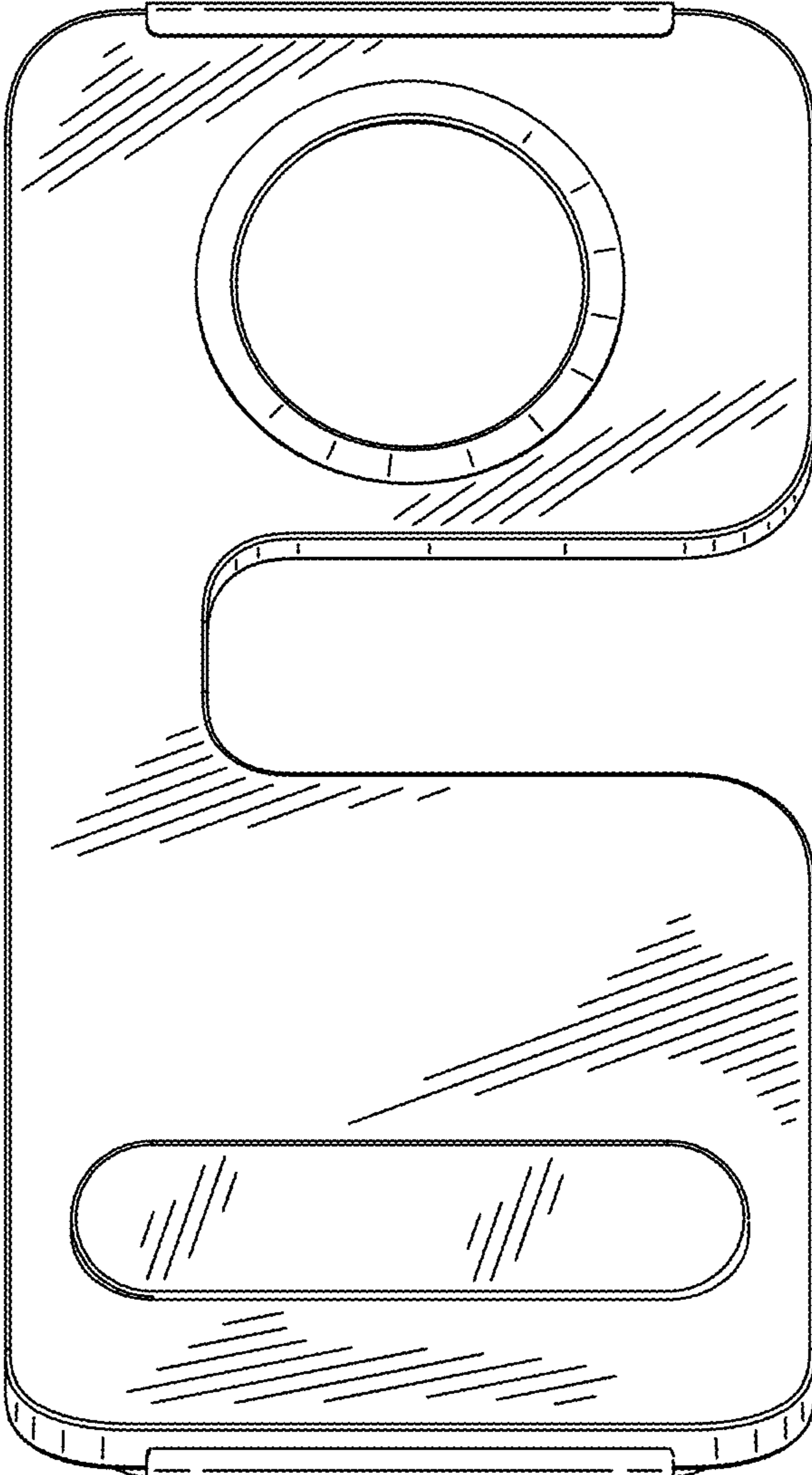


FIG. 11

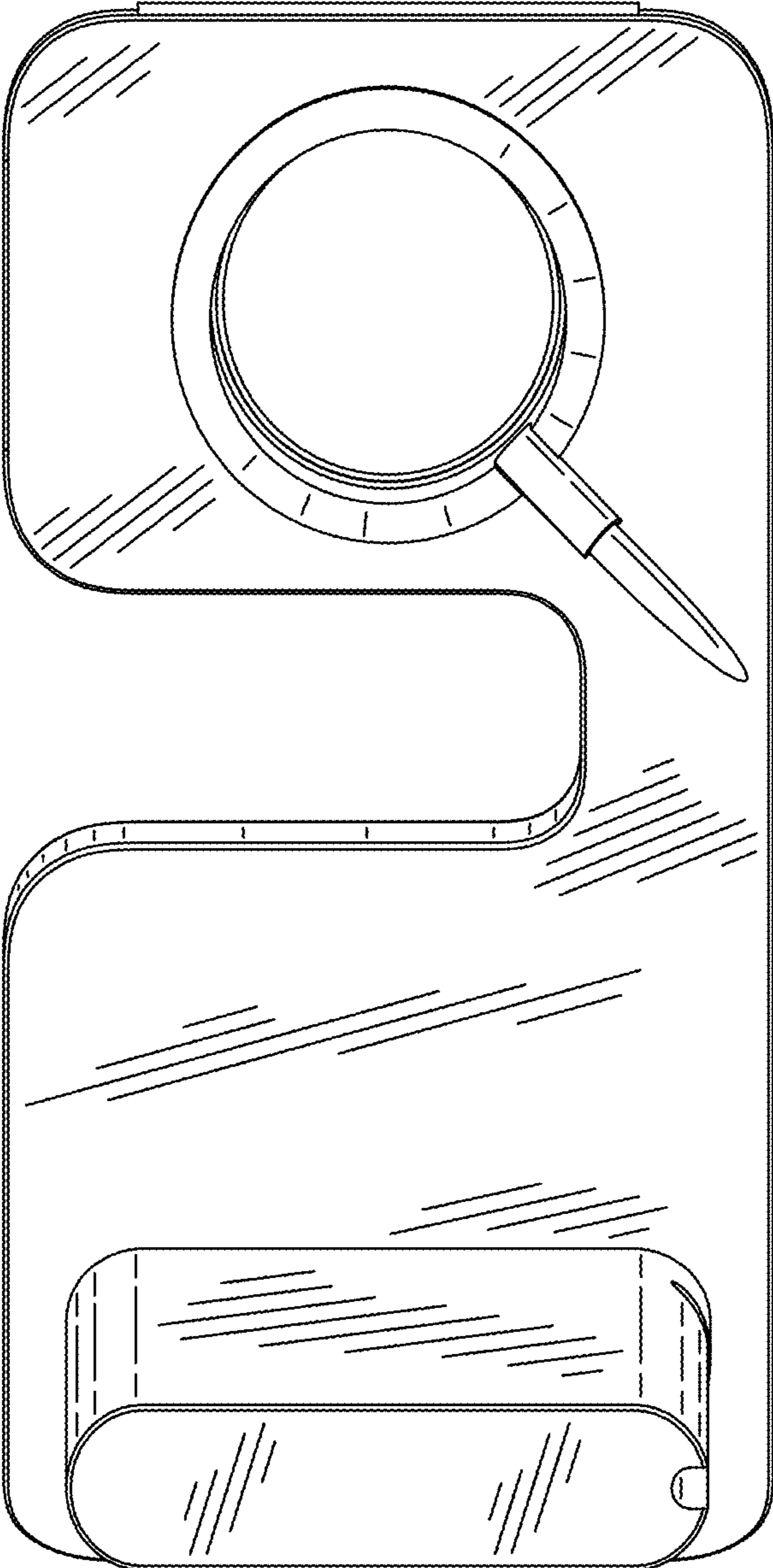


FIG. 12

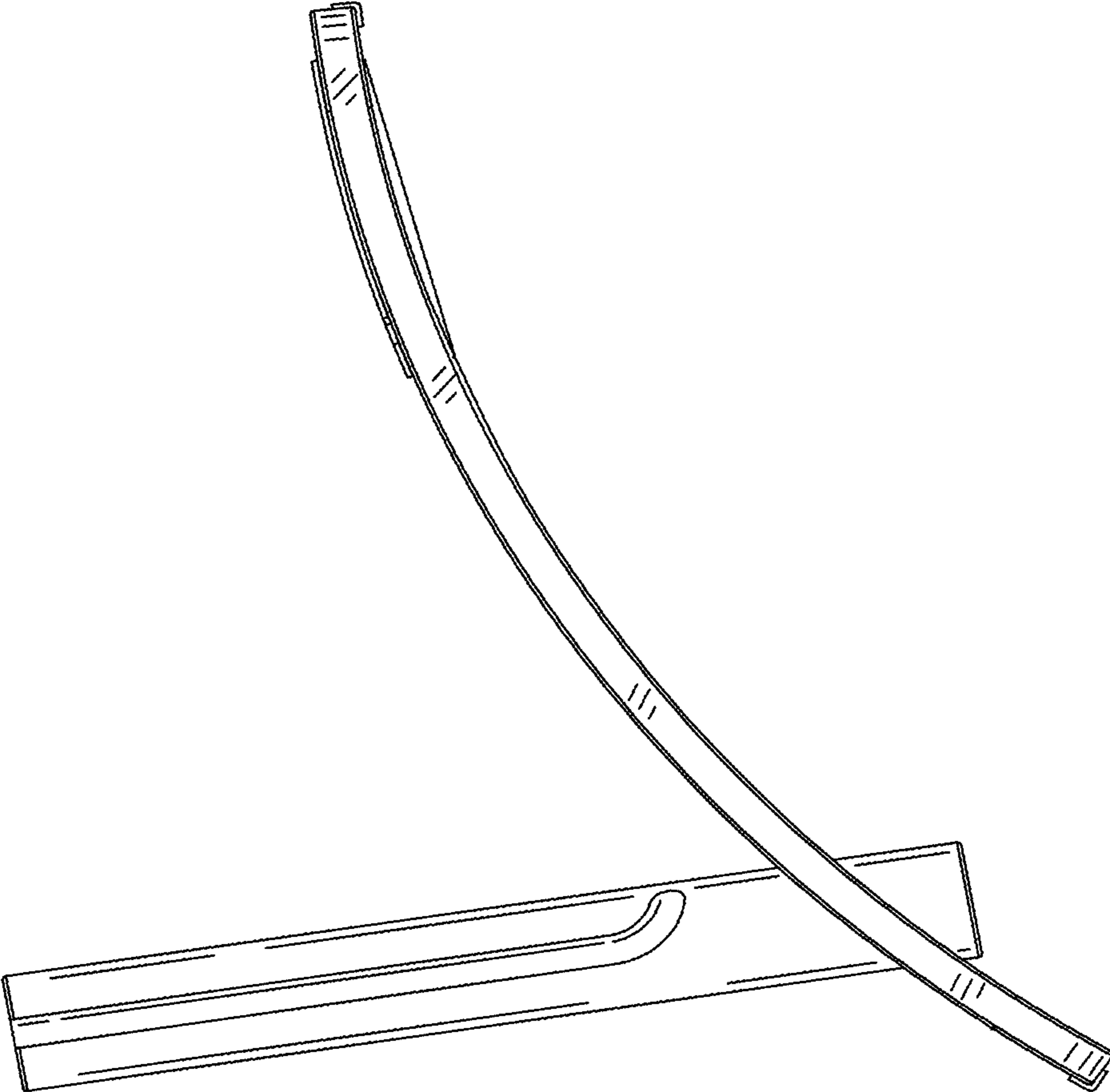


FIG. 13

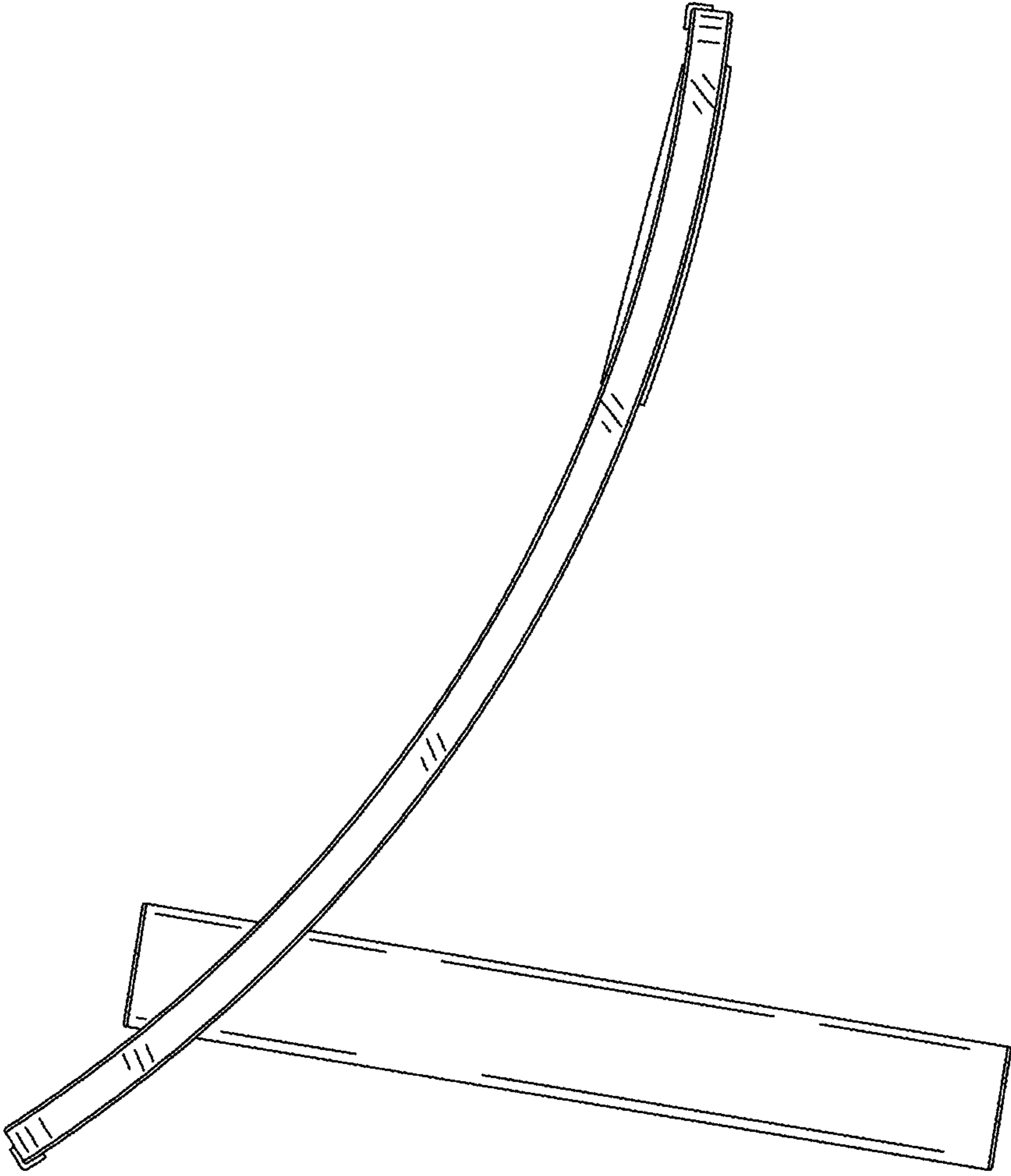


FIG. 14



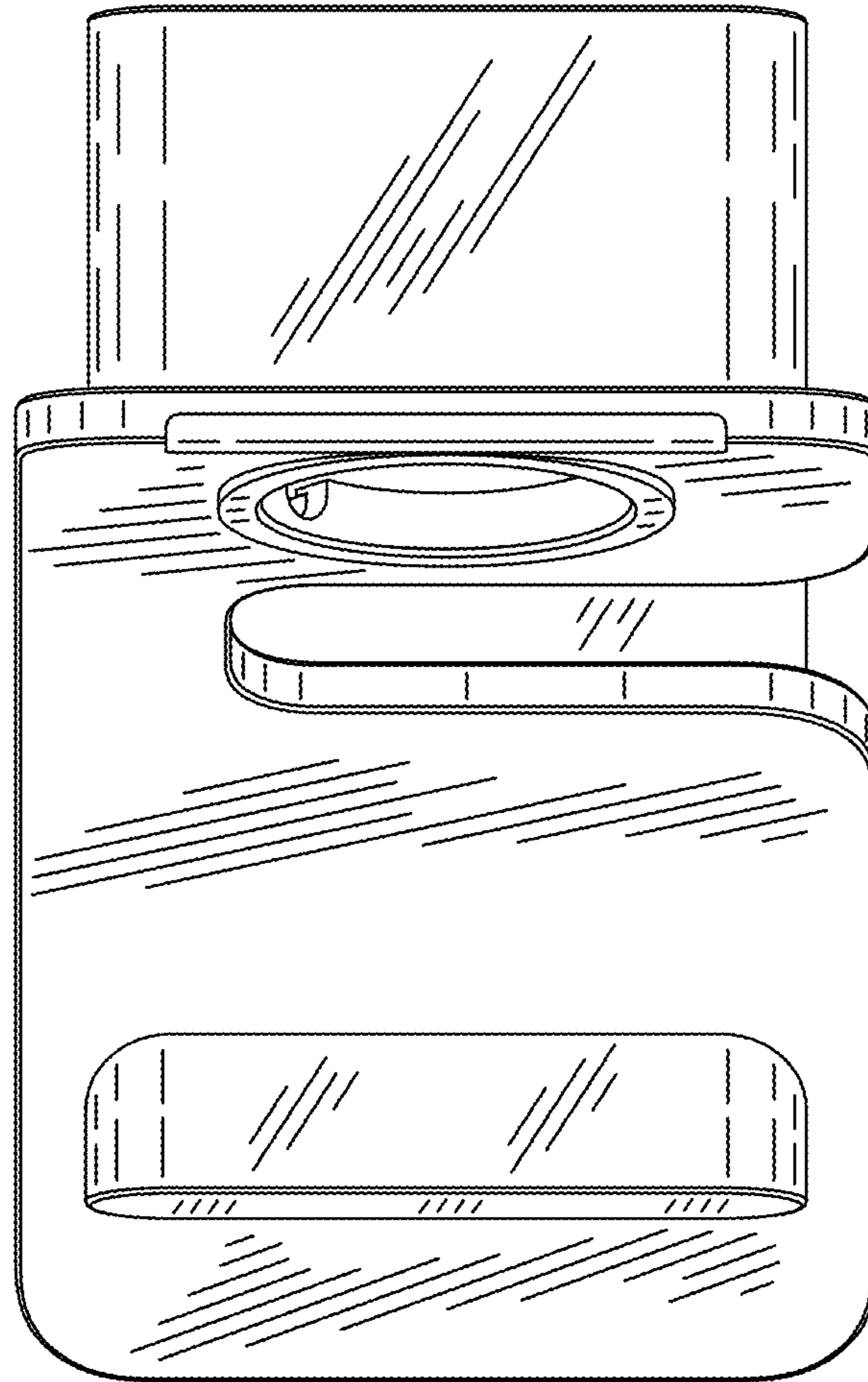


FIG. 15

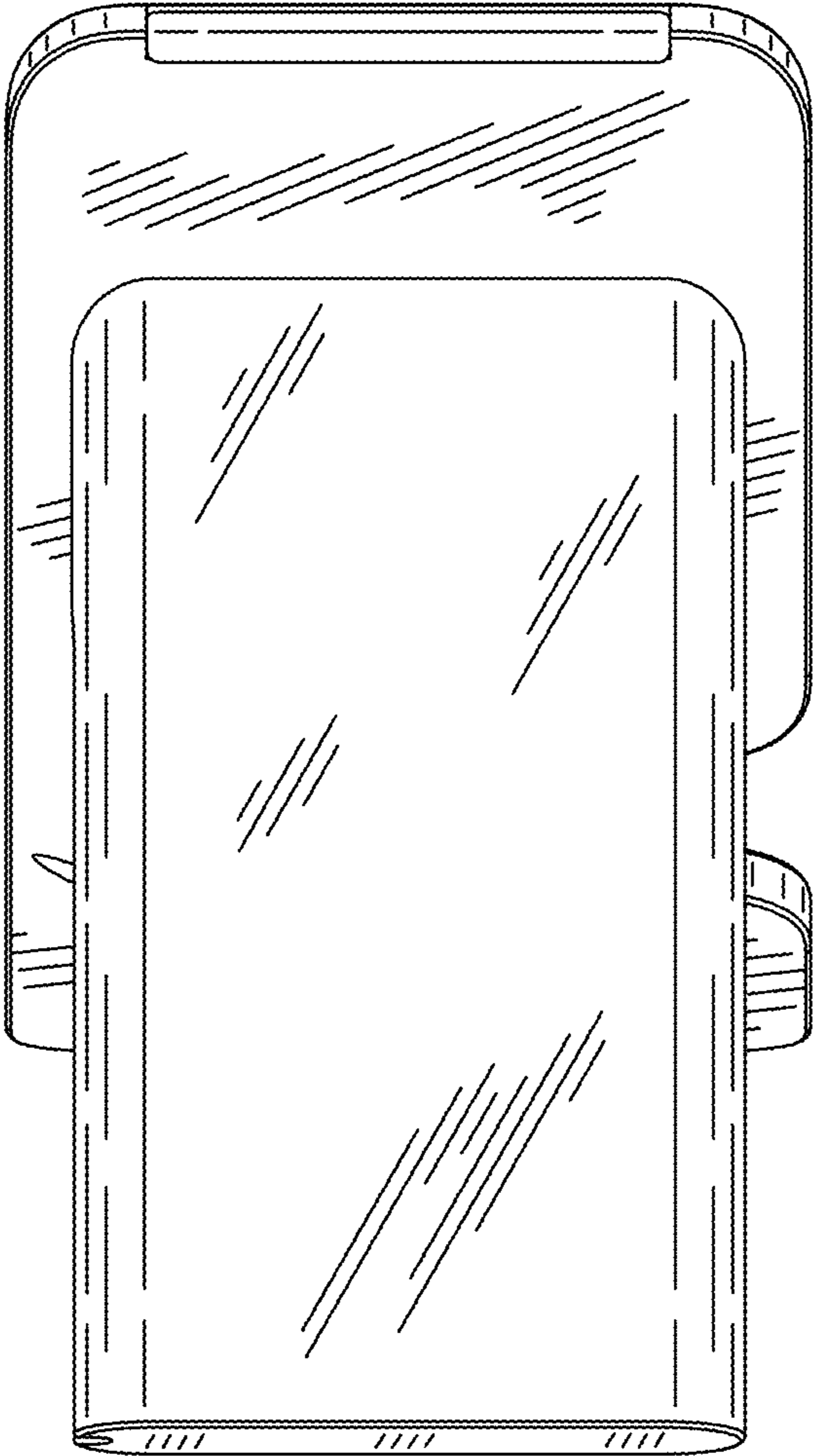


FIG. 16