



US00D788698S

(12) **United States Design Patent**
Lin

(10) **Patent No.:** **US D788,698 S**
(45) **Date of Patent:** **** Jun. 6, 2017**

(54) **RECHARGEABLE BATTERY DEVICE**
(71) Applicant: **Limefuel, LLC**, Boulder, CO (US)
(72) Inventor: **Paul Lin**, Boulder, CO (US)
(73) Assignee: **LIMEFUEL, LLC**, Boulder, CO (US)
(**) Term: **14 Years**
(21) Appl. No.: **29/517,938**

6,499,190 B2 12/2002 Ruiz Rodriguez
D468,720 S 1/2003 Birkholz
6,617,063 B1 * 9/2003 Ohnishi G06F 1/1616
429/122
D496,906 S * 10/2004 Vinciarelli D13/110
D506,438 S 6/2005 Vinciarelli et al.
D509,472 S 9/2005 Vinciarelli et al.
D517,476 S 3/2006 Green
D524,242 S 7/2006 Adams et al.
D531,134 S 10/2006 Nielsen et al.
D580,953 S 11/2008 Andre et al.
D593,489 S 6/2009 Yang
D611,407 S 3/2010 Webb

(Continued)

(22) Filed: **Feb. 18, 2015**
(51) **LOC (10) Cl.** **13-02**
(52) **U.S. Cl.**
USPC **D13/103**
(58) **Field of Classification Search**
USPC D13/102-104, 110, 118-121, 184, 199;
429/96-100, 163, 176
CPC Y02E 60/12; Y02E 60/122; Y02E 60/124;
Y02E 60/50; H01M 2/02; H01M 2/022;
H01M 2/0202; H01M 2/0207; H01M
2/0212; H01M 2/1061; H01M 2/1022;
H01M 2/1055; H01M 2/1066; H01M
2/105; H01M 2/204; H01M 10/4257;
H01M 10/0436; H01M 10/48
See application file for complete search history.

OTHER PUBLICATIONS

Notice of Allowance for U.S. Appl. No. 29/548,448, mailed Jun. 27,
2016 9 pages.

(Continued)

Primary Examiner — Rosemary K Tarcza
(74) *Attorney, Agent, or Firm* — Sheridan Ross P.C.

(57) **CLAIM**

The ornamental design for a rechargeable battery device, as
shown and described.

DESCRIPTION

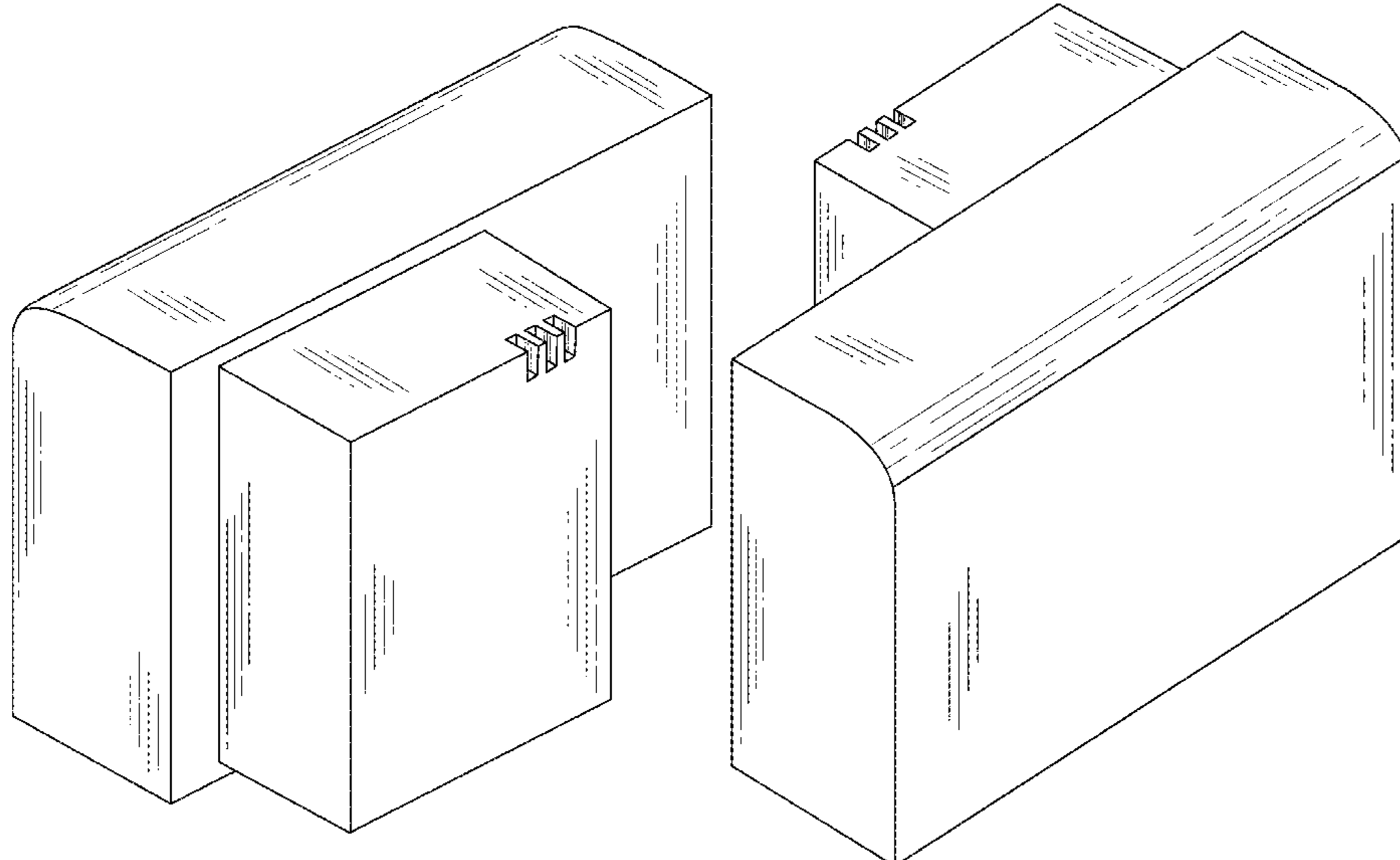
FIG. 1 is a front perspective view of a rechargeable battery
device;
FIG. 2 is a rear perspective view thereof;
FIG. 3 is a rear elevation view thereof;
FIG. 4 is a front elevation view thereof;
FIG. 5 is a right elevation view thereof;
FIG. 6 is a left elevation view thereof;
FIG. 7 is a bottom plan view thereof;
FIG. 8 is a top plan view thereof;
FIG. 9 is a front perspective view thereof; and,
FIG. 10 is a rear perspective view thereof.

1 Claim, 10 Drawing Sheets

(56) **References Cited**

U.S. PATENT DOCUMENTS

D311,373 S 10/1990 Morisse et al.
D320,212 S 9/1991 Someya
D357,896 S * 5/1995 Berry D13/103
D363,056 S 10/1995 Vinciarelli et al.
D375,933 S * 11/1996 Kao D13/103
D382,536 S 8/1997 Amero, Jr.
D409,136 S * 5/1999 Sumita D13/103
D409,623 S 5/1999 Bianco
D419,131 S * 1/2000 Andrews D13/103
D438,169 S * 2/2001 Minagawa D13/103
6,394,343 B1 5/2002 Berg et al.
6,406,811 B1 6/2002 Hall et al.



(56)

References Cited

OTHER PUBLICATIONS

U.S. PATENT DOCUMENTS

D629,365 S 12/2010 Garcia De Vicuna
D662,044 S 6/2012 Lemelman et al.
D669,427 S 10/2012 Ignor et al.
8,361,645 B2* 1/2013 Kim H01M 2/0404
429/121
D678,187 S * 3/2013 Huang D13/103
D682,778 S 5/2013 Baumgartner et al.
D684,926 S 6/2013 Murchison
D685,319 S 7/2013 Ignor et al.
D689,019 S * 9/2013 Sato D13/103
D700,139 S * 2/2014 Chan D13/103
8,658,294 B2* 2/2014 Jang H01M 2/1061
429/61
D705,782 S 5/2014 McParland et al.
D708,571 S * 7/2014 Ji D13/103
D709,440 S * 7/2014 Kwon D13/103
D709,441 S * 7/2014 Kwon D13/103
D709,442 S * 7/2014 Kwon D13/103
D709,443 S * 7/2014 Kwon D13/103
D711,311 S 8/2014 Corbin et al.
D712,346 S * 9/2014 Kwon D13/103
D712,825 S * 9/2014 Kwon D13/103
D715,219 S 10/2014 Ceyress et al.
D716,221 S * 10/2014 Kwon D13/103
D716,222 S * 10/2014 Kwon D13/103
D716,722 S * 11/2014 Kwon D13/103
D719,087 S 12/2014 Bataillou et al.
D724,019 S * 3/2015 Kwon D13/103
D724,020 S 3/2015 Kwon et al.
D724,528 S 3/2015 Kwon et al.
D724,529 S * 3/2015 Kwon D13/103
D724,530 S * 3/2015 Kwon D13/103
D724,533 S 3/2015 Kwon et al.
D725,590 S 3/2015 Clyne et al.
D727,254 S * 4/2015 Kinoshita D13/103
8,999,536 B2* 4/2015 Kwag H01M 2/204
429/7
D729,727 S * 5/2015 Lin D13/103
D731,419 S 6/2015 Kao et al.
D733,051 S 6/2015 Wang
D742,312 S 11/2015 Gupta et al.
D743,329 S 11/2015 Aiken et al.
D743,333 S 11/2015 Nomi
9,214,651 B1 12/2015 Ahn et al.
9,214,671 B2 12/2015 Saruwatari et al.
9,219,257 B2 12/2015 Yamaguchi et al.
9,224,516 B2 12/2015 Nelson et al.
9,231,236 B2 1/2016 Koh
9,231,238 B2 1/2016 Noda et al.
9,263,744 B2 2/2016 Yamamoto et al.
D751,499 S * 3/2016 Phillips D13/103
D751,981 S * 3/2016 Lin D13/103
D751,982 S * 3/2016 Lin D13/103
D751,983 S * 3/2016 Lin D13/103
D751,984 S * 3/2016 Lin D13/103
D752,509 S * 3/2016 Lin D13/103
D752,510 S * 3/2016 Lin D13/103
2009/0098443 A1 4/2009 Yamamoto et al.
2011/0117418 A1 5/2011 Meintschel
2013/0202932 A1 8/2013 Song et al.
2014/0072850 A1 3/2014 Kwon
2015/0288021 A1 10/2015 Kwon
2015/0318579 A1 11/2015 Kwon
2015/0380715 A1 12/2015 Ahn
2016/0013680 A1 1/2016 Liang
2016/0036012 A1 2/2016 Kreitman
2016/0072154 A1 3/2016 Kim
2016/0079635 A1 3/2016 Niwa
2016/0093837 A1 3/2016 Bushnell
2016/0104919 A1 4/2016 Arishima

Notice of Allowance for U.S. Appl. No. 29/548,450, mailed Jun. 28, 2016 9 pages.
Notice of Allowance for U.S. Appl. No. 29/548,453, mailed Jun. 17, 2016 9 pages.
Notice of Allowance for U.S. Appl. No. 29/548,457, mailed Jun. 16, 2016 9 pages.
Notice of Allowance for U.S. Appl. No. 29/548,458, mailed Jun. 28, 2016 9 pages.
Notice of Allowance for U.S. Appl. No. 29/548,459, mailed Jun. 20, 2016 9 pages.
Notice of Allowance for U.S. Appl. No. 29/548,461, mailed Jun. 20, 2016 9 pages.
Notice of Allowance for U.S. Appl. No. 29/548,460, mailed Jun. 27, 2016 9 pages.
Notice of Allowance for U.S. Appl. No. 29/548,463, mailed Jun. 20, 2016 9 pages.
U.S. Appl. No. 29/479,883, filed Jan. 21, 2014, Lin.
U.S. Appl. No. 29/491,238, filed May 19, 2014, Lin.
U.S. Appl. No. 29/502,977, filed Sep. 22, 2014, Lin.
U.S. Appl. No. 29/502,983, filed Sep. 22, 2014, Lin.
U.S. Appl. No. 29/502,985, filed Sep. 22, 2014, Lin.
U.S. Appl. No. 29/502,986, filed Sep. 22, 2014, Lin.
U.S. Appl. No. 29/502,988, filed Sep. 22, 2014, Lin.
U.S. Appl. No. 29/502,990, filed Sep. 22, 2014, Lin.
U.S. Appl. No. 29/514,954, filed Jan. 19, 2015, Lin.
U.S. Appl. No. 29/517,939, filed Feb. 18, 2015, Lin.
U.S. Appl. No. 29/518,222, filed Feb. 20, 2015, Lin.
Notice of Allowance for U.S. Appl. No. 29/491,238, mailed Jan. 5, 2015, 8 pages.
Notice of Allowance for U.S. Appl. No. 29/479,883, mailed Jan. 21, 2015 6 pages.
U.S. Appl. No. 29/548,448, filed Dec. 14, 2015.
U.S. Appl. No. 29/548,450, filed Dec. 14, 2015.
U.S. Appl. No. 29/548,453, filed Dec. 14, 2015.
U.S. Appl. No. 29/548,457, filed Dec. 14, 2015.
U.S. Appl. No. 29/548,458, filed Dec. 14, 2015.
U.S. Appl. No. 29/548,459, filed Dec. 14, 2015.
U.S. Appl. No. 29/548,460, filed Dec. 14, 2015.
U.S. Appl. No. 29/548,461, filed Dec. 14, 2015.
U.S. Appl. No. 29/548,463, filed Dec. 14, 2015.
U.S. Appl. No. 29/479,883, filed Jan. 21, 2014.
U.S. Appl. No. 29/491,238, filed May 19, 2014.
U.S. Appl. No. 29/502,977, filed Sep. 22, 2014.
U.S. Appl. No. 29/502,983, filed Sep. 22, 2014.
U.S. Appl. No. 29/502,985, filed Sep. 22, 2014.
U.S. Appl. No. 29/502,986, filed Sep. 22, 2014.
U.S. Appl. No. 29/502,988, filed Sep. 22, 2014.
U.S. Appl. No. 29/502,990, filed Sep. 22, 2014.
U.S. Appl. No. 29/514,954, filed Jan. 19, 2015.
U.S. Appl. No. 29/517,939, filed Feb. 18, 2015.
U.S. Appl. No. 29/518,222, filed Feb. 20, 2015.
U.S. Appl. No. 29/548,448, filed Dec. 14, 2015, Lin.
U.S. Appl. No. 29/548,450, filed Dec. 14, 2015, Lin.
U.S. Appl. No. 29/548,453, filed Dec. 14, 2015, Lin.
U.S. Appl. No. 29/548,457, filed Dec. 14, 2015, Lin.
U.S. Appl. No. 29/548,458, filed Dec. 14, 2015, Lin.
U.S. Appl. No. 29/548,459, filed Dec. 14, 2015, Lin.
U.S. Appl. No. 29/548,460, filed Dec. 14, 2015, Lin.
U.S. Appl. No. 29/548,461, filed Dec. 14, 2015, Lin.
U.S. Appl. No. 29/548,463, filed Dec. 14, 2015, Lin.
Notice of Allowance for U.S. Appl. No. 29/502,977, mailed Nov. 2, 2015 11 pages.
Notice of Allowance for U.S. Appl. No. 29/502,983, mailed Nov. 13, 2015 8 pages.
Notice of Allowance for U.S. Appl. No. 29/502,985, mailed Nov. 10, 2015 11 pages.
Notice of Allowance for U.S. Appl. No. 29/502,986, mailed Nov. 4, 2015 12 pages.
Notice of Allowance for U.S. Appl. No. 29/502,988, mailed Nov. 18, 2015 12 pages.

(56)

References Cited

OTHER PUBLICATIONS

Notice of Allowance for U.S. Appl. No. 29/502,990, mailed Nov. 2,
2015 11 pages.

* cited by examiner

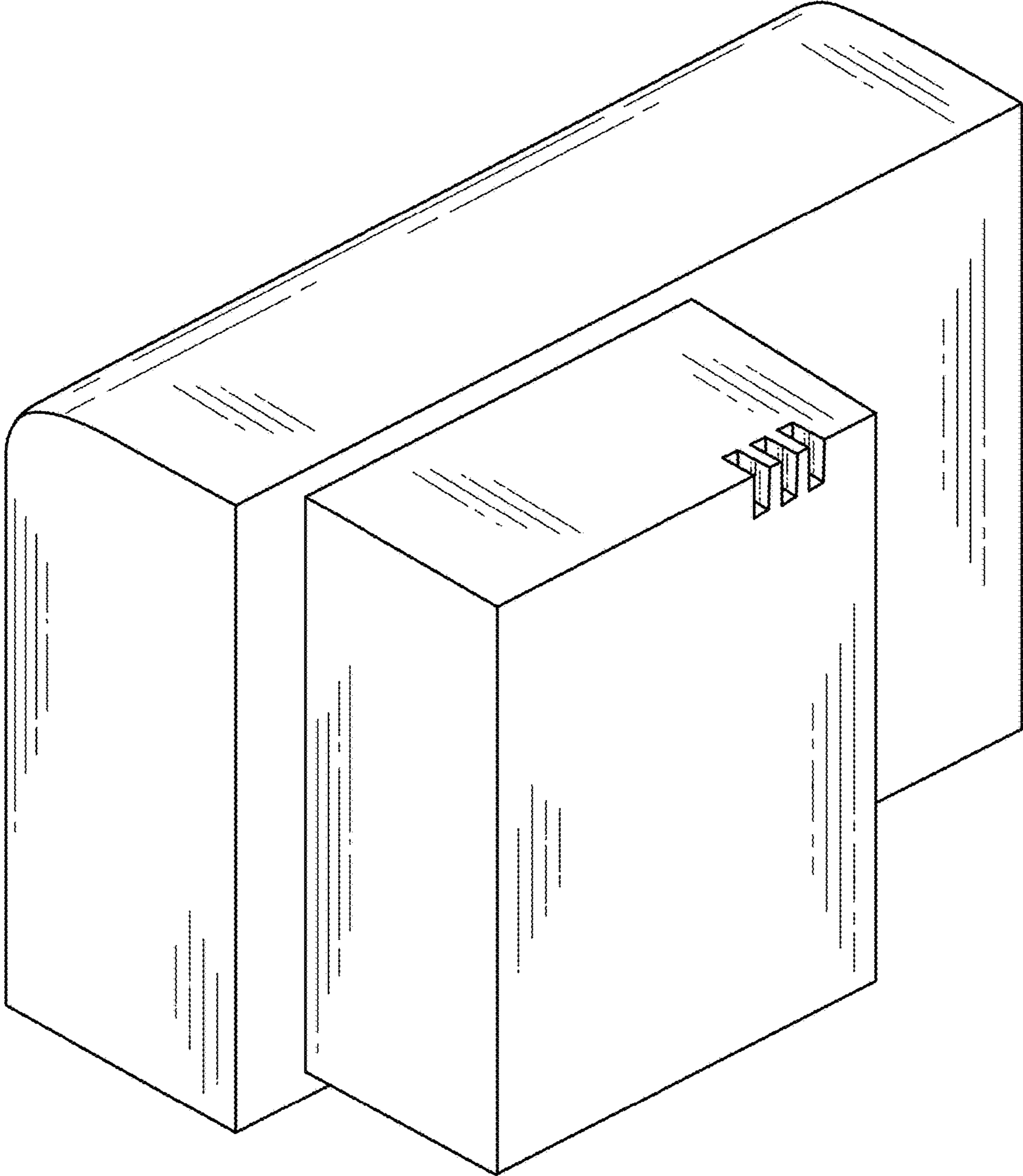


FIG. 1

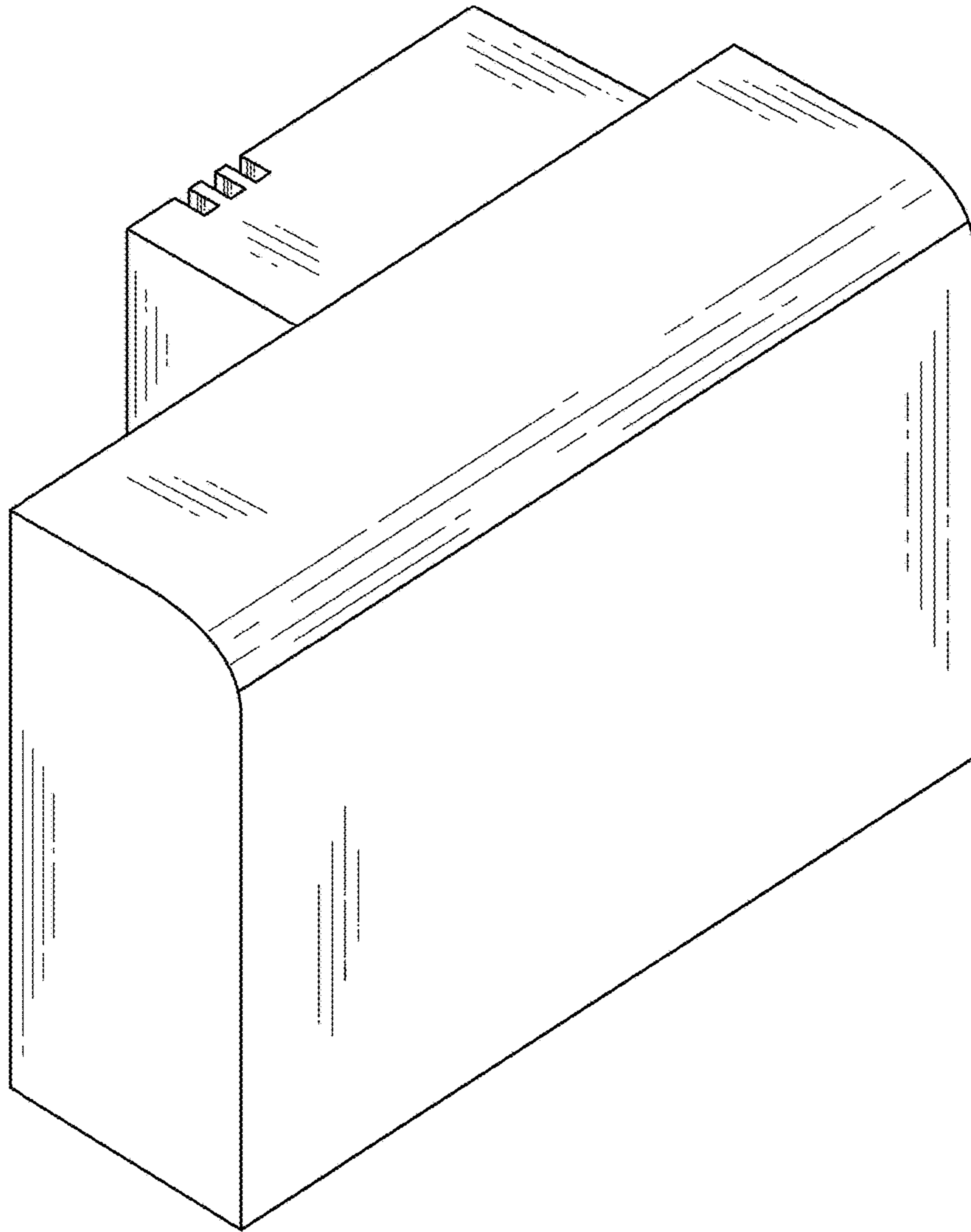


FIG. 2

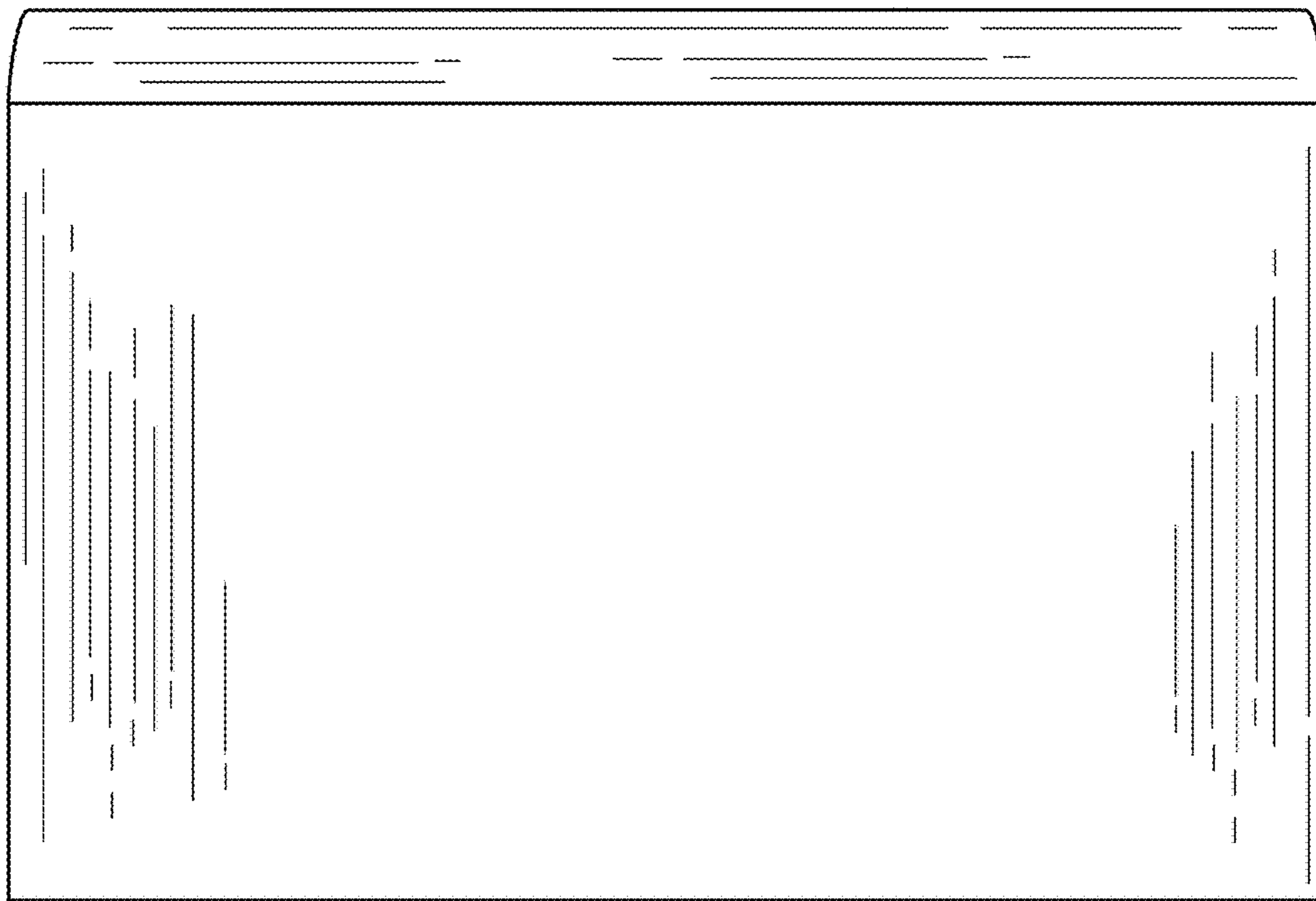


FIG. 3

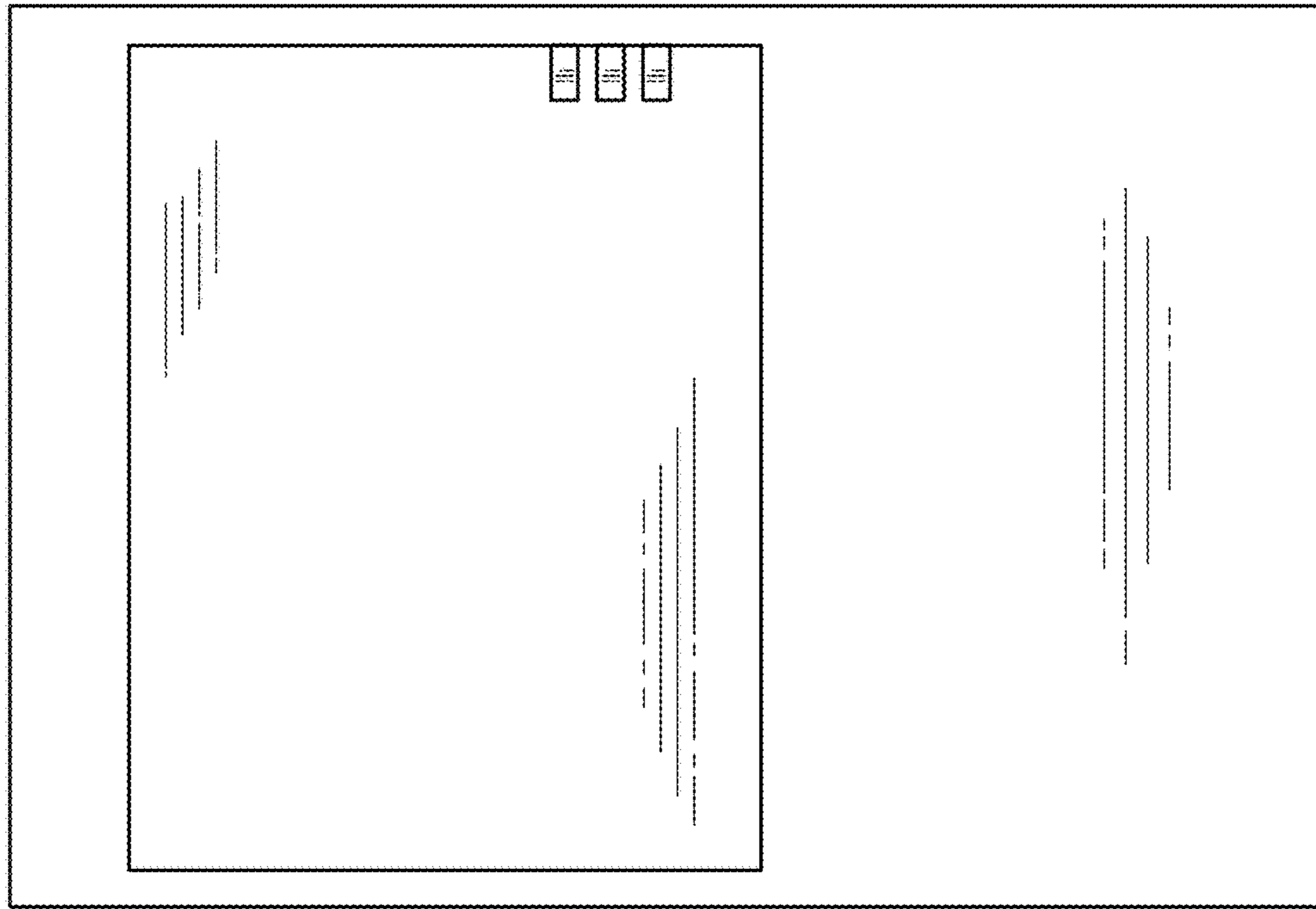


FIG. 4

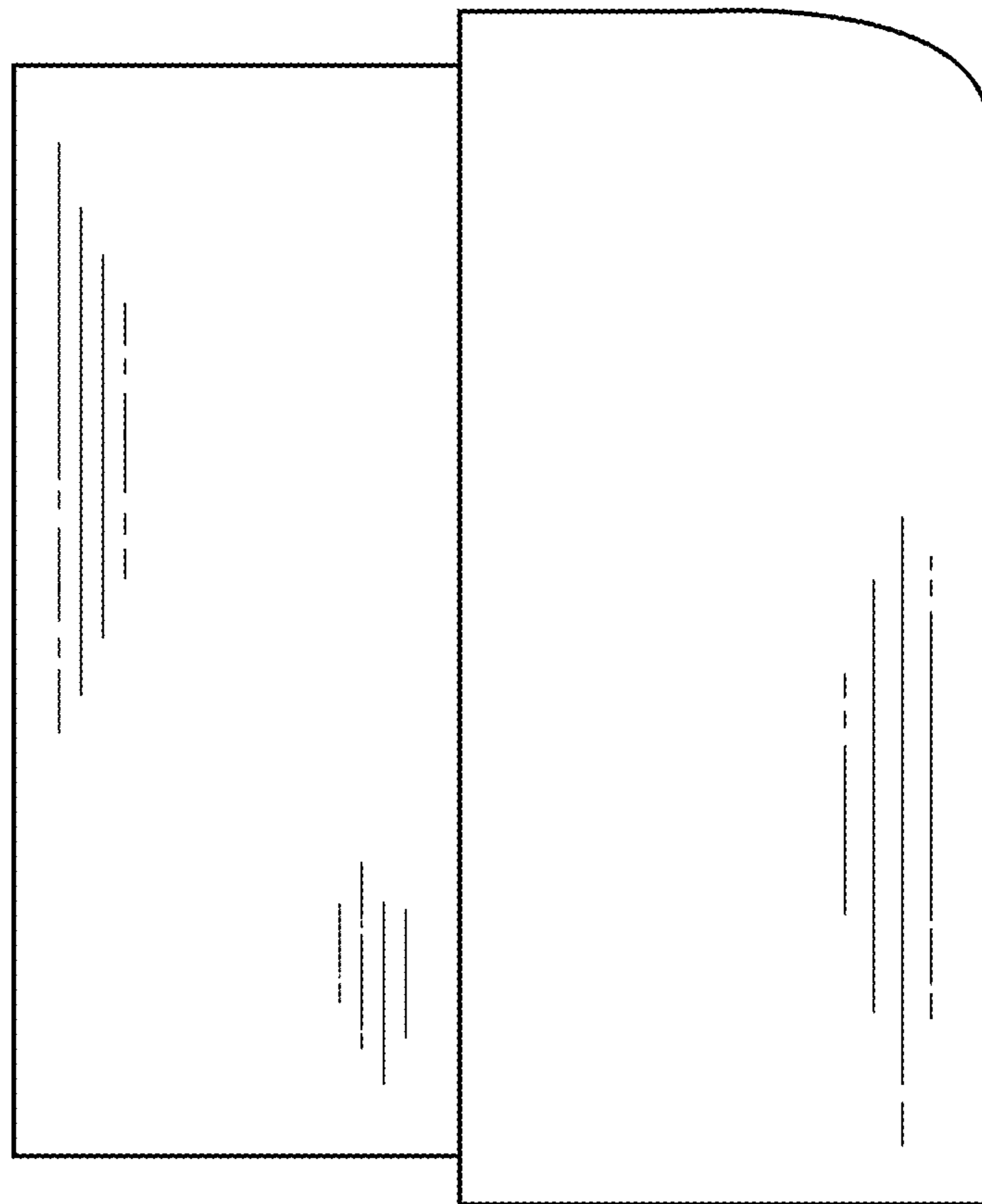


FIG. 5

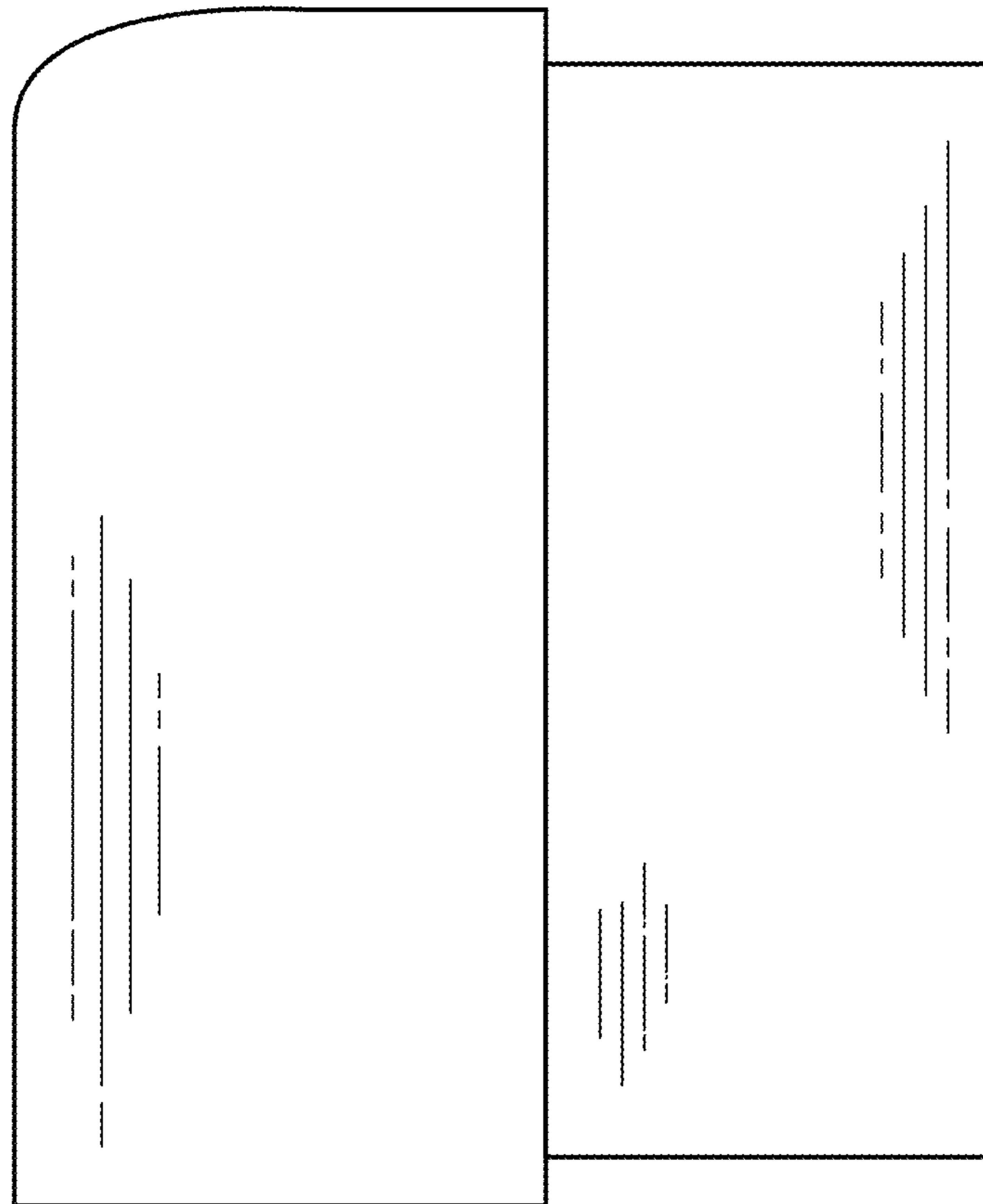


FIG. 6

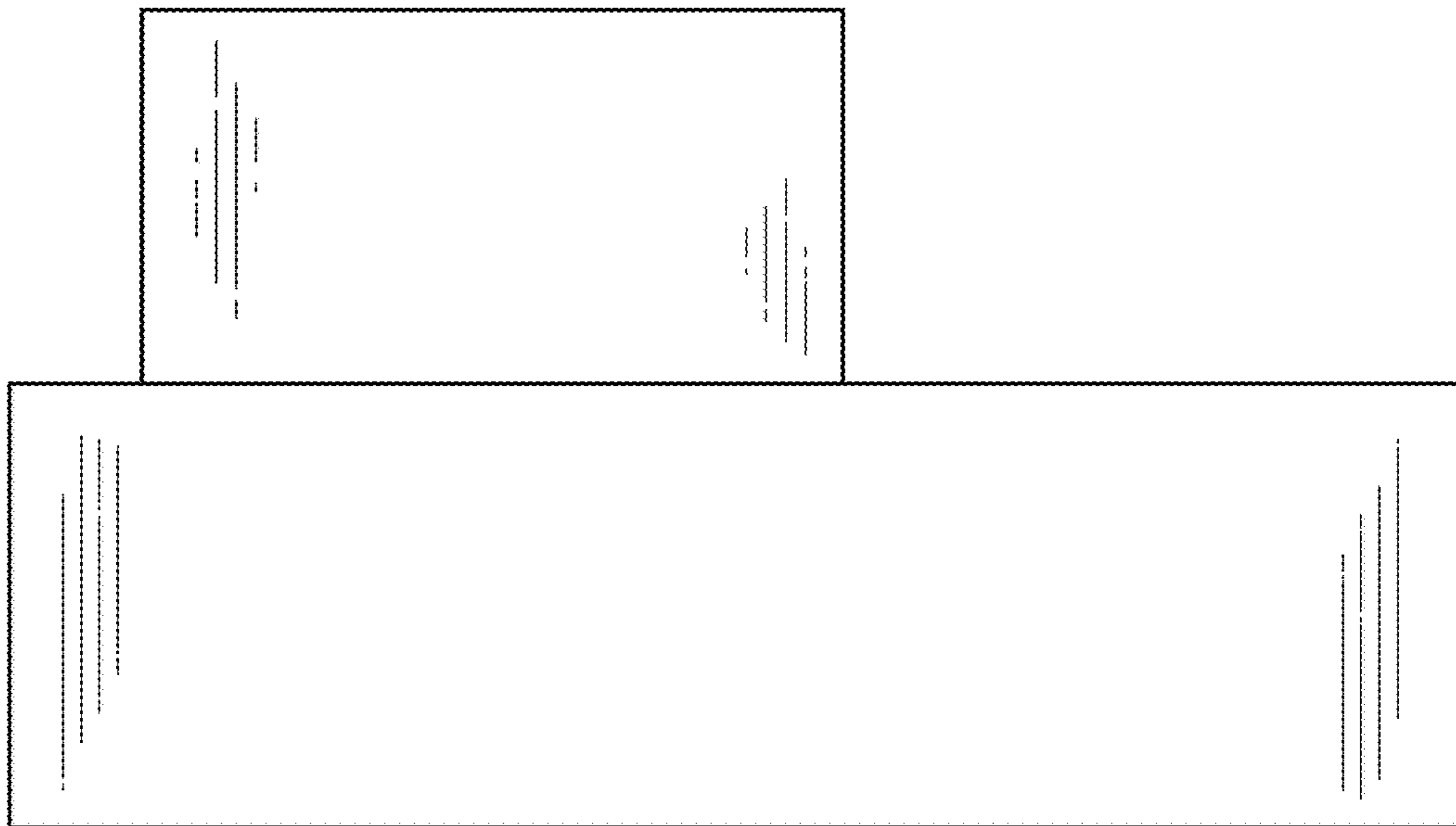


FIG. 7

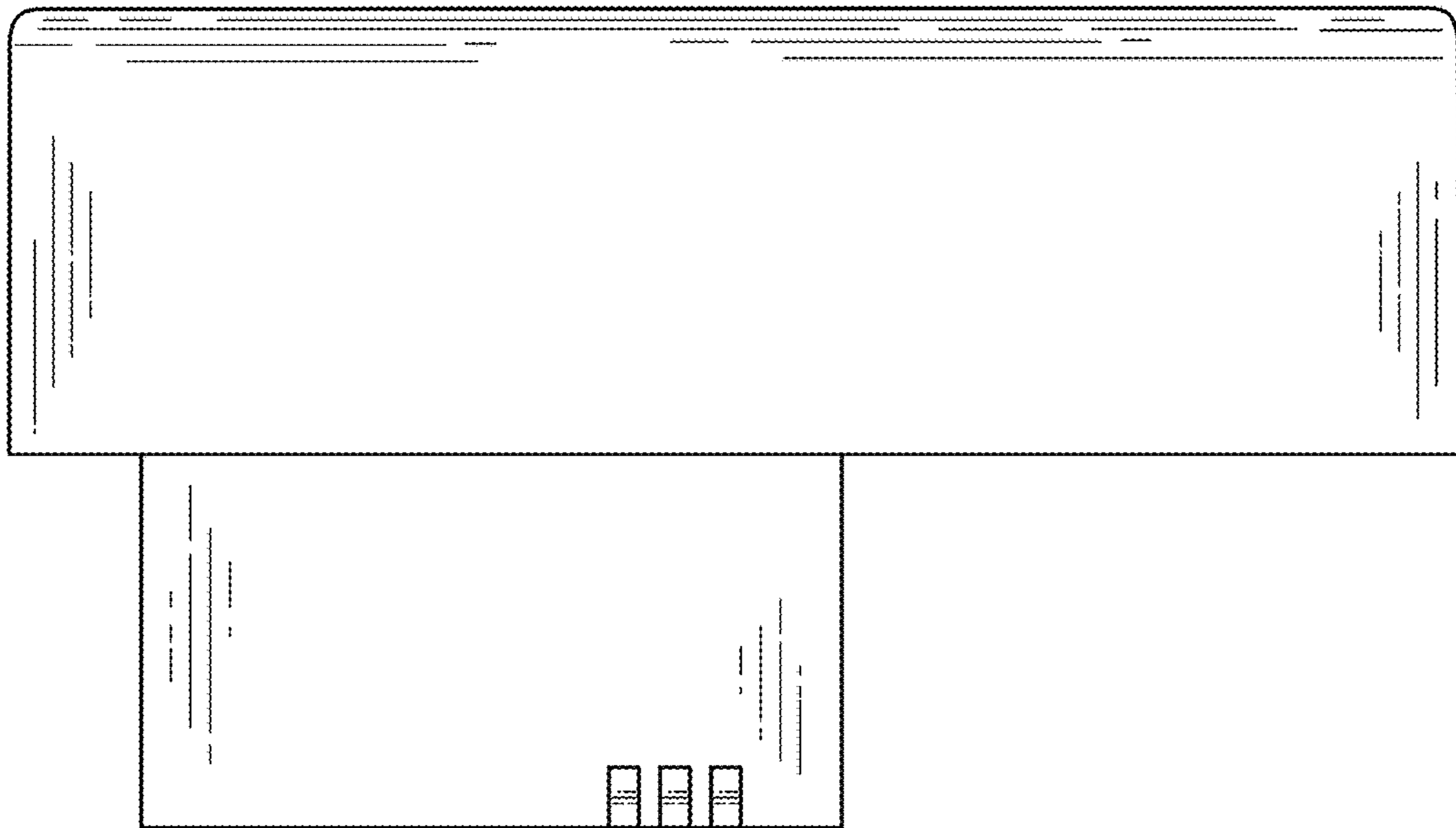


FIG. 8

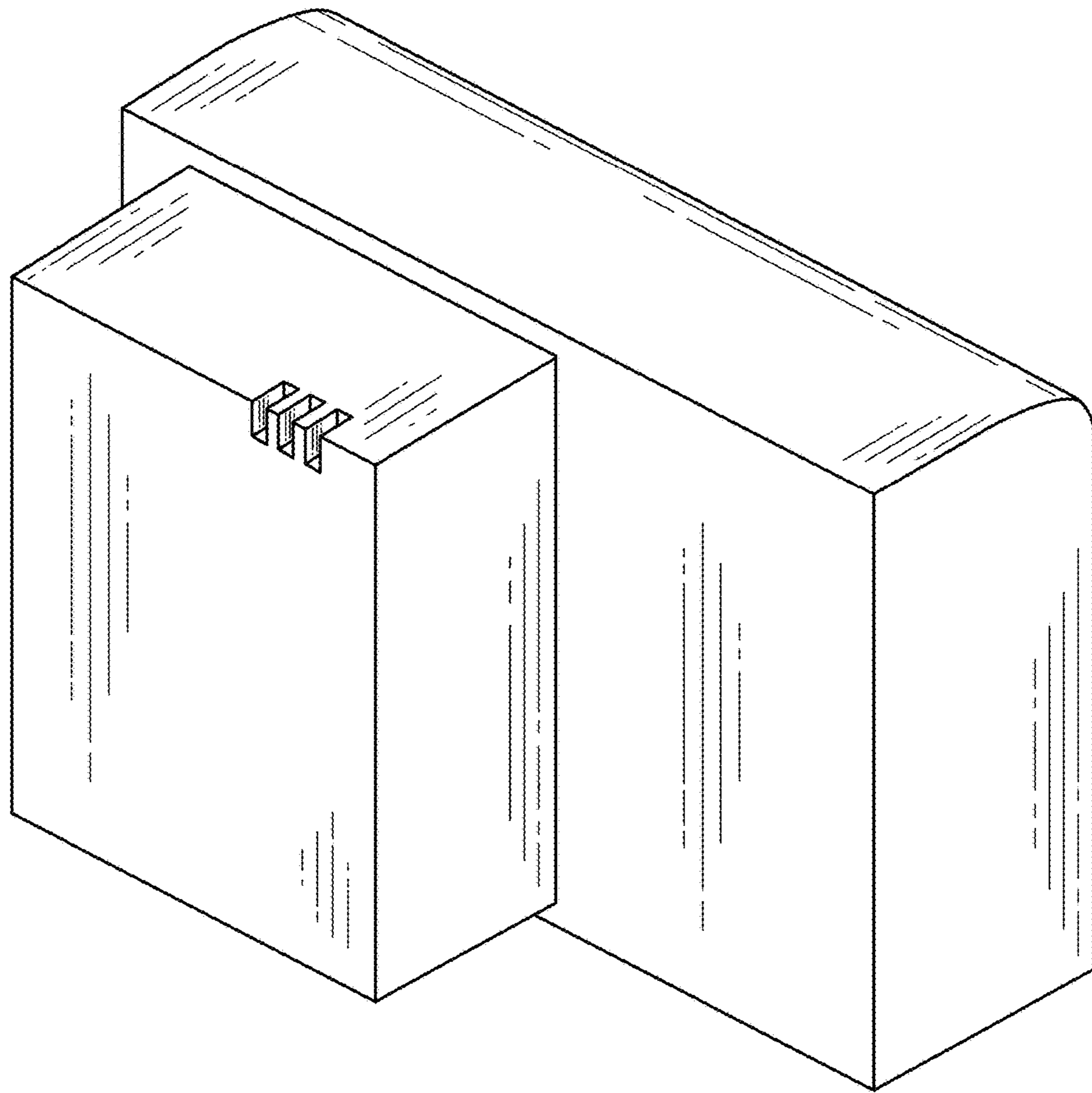


FIG. 9

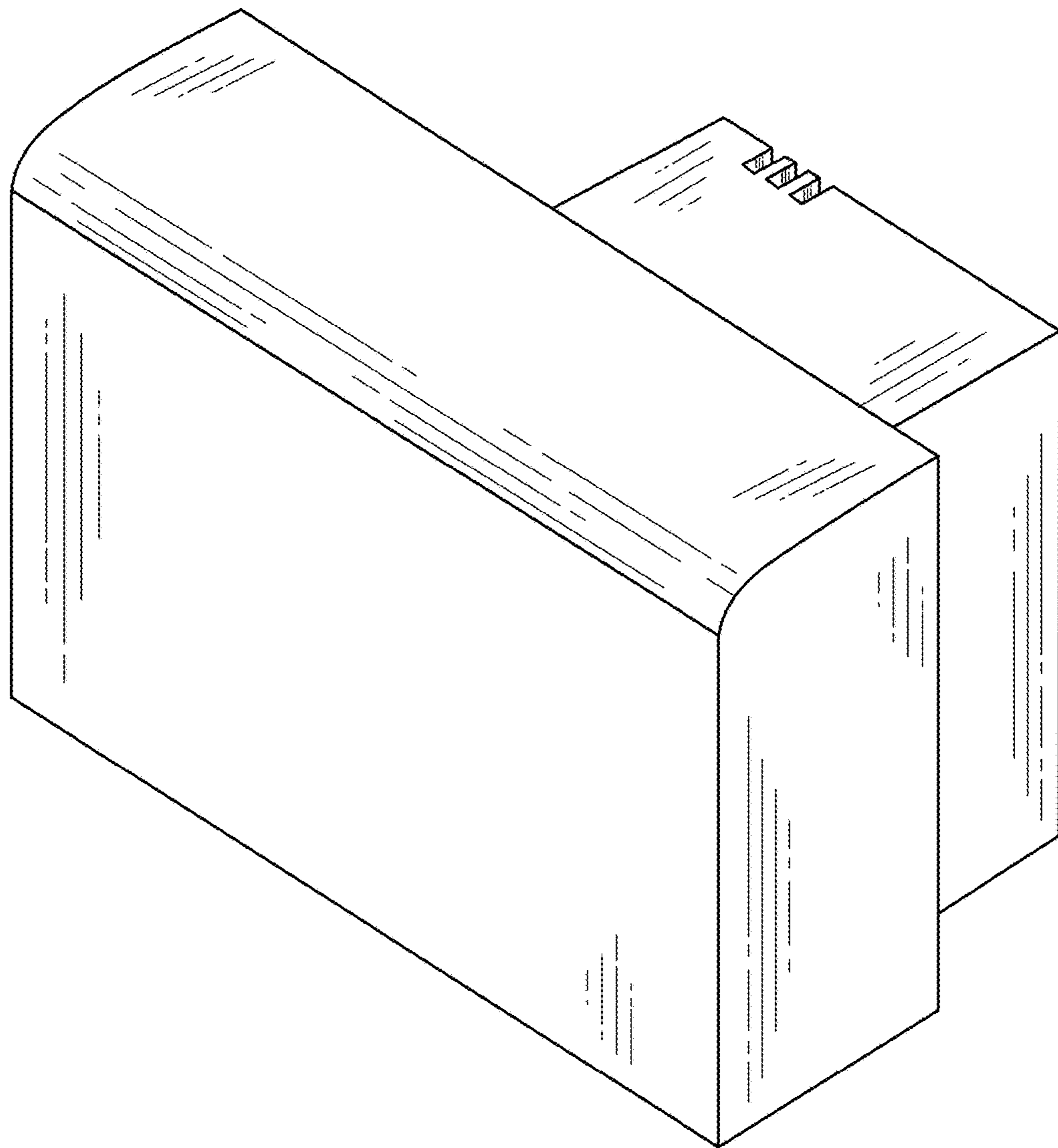


FIG. 10