



US00D788697S

(12) **United States Design Patent** (10) **Patent No.:** **US D788,697 S**  
**Verleur et al.** (45) **Date of Patent:** **\*\* Jun. 6, 2017**

- (54) **BATTERY PORTION FOR A VAPORIZER**
- (71) Applicant: **VMR Products, LLC**, Miami, FL (US)
- (72) Inventors: **Jan Andries Verleur**, Miami Beach, FL (US); **Dan Recio**, Miami, FL (US); **Yifeng Lu**, Miami, FL (US); **Yinjun Zhang**, Miami, FL (US); **Arturo Fajardo**, Miami, FL (US); **Hans Verleur**, El Dorado, CA (US); **Chris Cummings**, Miami, FL (US)
- (73) Assignee: **VMR Products, LLC**, Miami, FL (US)
- (\*\*) Term: **14 Years**
- (21) Appl. No.: **29/508,616**
- (22) Filed: **Nov. 7, 2014**

**Related U.S. Application Data**

- (63) Continuation-in-part of application No. 14/196,729, filed on Mar. 4, 2014.
- (51) **LOC (10) Cl.** ..... **13-02**
- (52) **U.S. Cl.**  
USPC ..... **D13/103; D27/101**
- (58) **Field of Classification Search**  
USPC ..... D13/102-104, 110, 118-121, 184, 199; D27/101, 183, 193, 194; 429/96-100, 429/163, 176  
CPC ..... Y02E 60/12; Y02E 60/122; Y02E 60/124; Y02E 60/50; H01M 2/02; H01M 2/022; H01M 2/0202; H01M 2/0207; H01M 2/0212; H01M 2/1061; H01M 2/1022; H01M 2/1055; H01M 2/1066; H01M 2/105; H01M 2/204; H01M 10/4257; H01M 10/0436; H01M 10/48; A24F 47/00; A24F 47/002; A24F 47/004; A24F 47/008

See application file for complete search history.

(56) **References Cited**

U.S. PATENT DOCUMENTS

1,446,087 A	2/1923	Griffin
2,057,353 A	10/1936	Whittemore, Jr.
2,545,851 A	3/1951	Kardos
3,060,429 A	10/1962	Winston
3,200,819 A	8/1965	Gilbert

(Continued)

FOREIGN PATENT DOCUMENTS

CA	2 846 286 A1	4/2013
CN	1233436 A	11/1999

(Continued)

OTHER PUBLICATIONS

Andrus et al., "Nicotine microaerosol inhaler", Canadian Respiratory Journal, Nov./Dec. 1999, pp. 509-512, Vo. 6, No. 6.

(Continued)

*Primary Examiner* — Rosemary K Tarcza

(74) *Attorney, Agent, or Firm* — Brinks Gilson & Lione

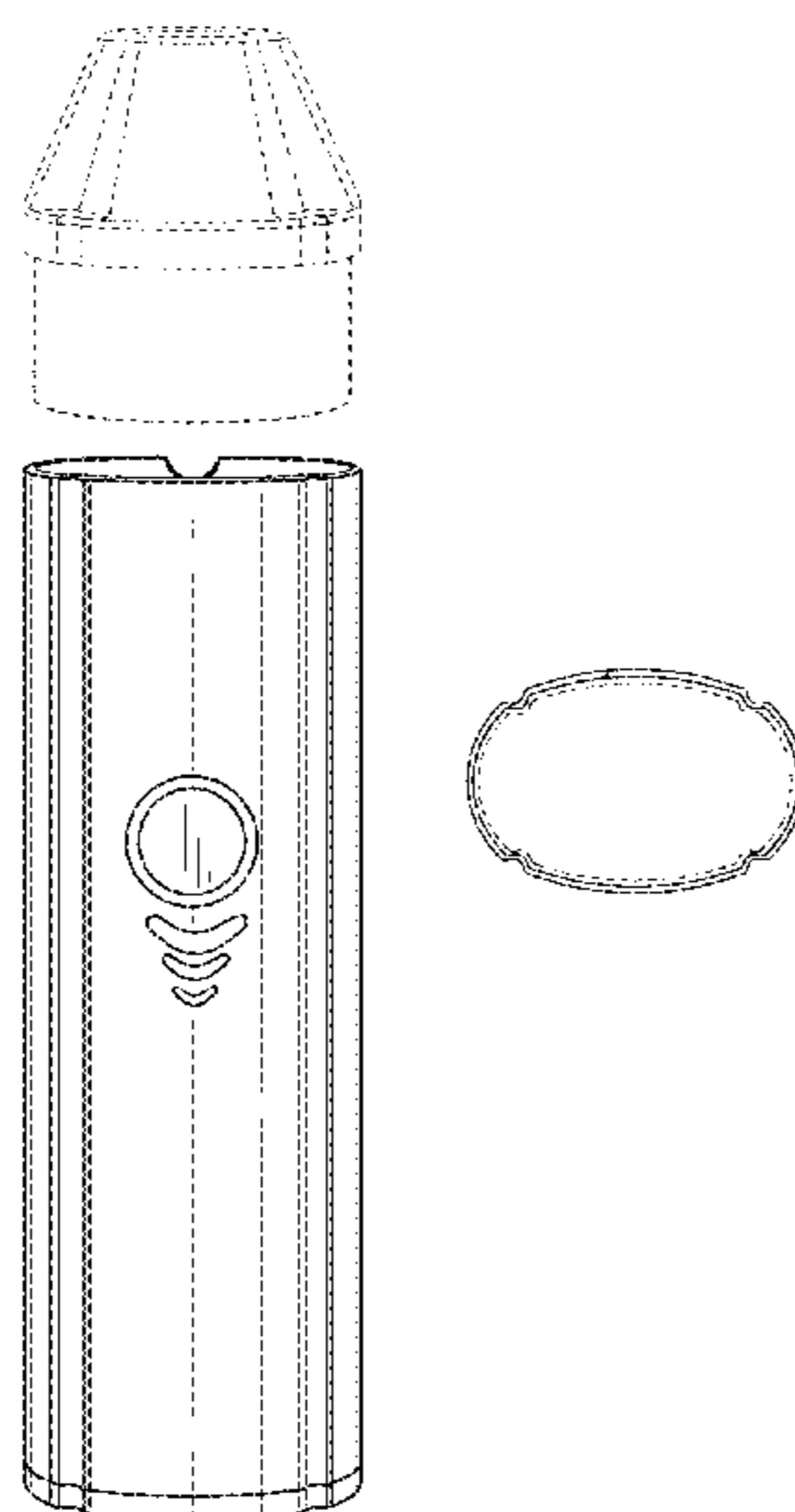
(57) **CLAIM**

The ornamental design for a battery portion for a vaporizer, as shown and described.

**DESCRIPTION**

FIG. 1 is an exploded front perspective view of a battery portion for a vaporizer with a cartomizer removed from the battery portion, the cartomizer illustrated in broken lines; FIG. 2 is a front view of the battery portion of FIG. 1; FIG. 3 is a side view of the battery portion of FIG. 1; FIG. 4 is a rear view of the battery portion of FIG. 1; FIG. 5 is a top view of the battery portion of FIG. 1; and, FIG. 6 is a bottom view of the battery portion of FIG. 1. The broken lines shown in the drawings are included for the purpose of illustrating environmental structure and form no part of the claimed design.

**1 Claim, 1 Drawing Sheet**



(56)

References Cited

U.S. PATENT DOCUMENTS

3,203,025 A 8/1965 Schreur  
 3,400,998 A 9/1968 Daugherty et al.  
 3,479,561 A 11/1969 Janning  
 3,502,588 A 3/1970 Winberg  
 3,747,120 A 7/1973 Stemme  
 D248,047 S 5/1978 Rappoport  
 D251,072 S 2/1979 Stuetzer  
 4,207,457 A 6/1980 Haglund et al.  
 D257,519 S 11/1980 Plozner  
 D259,588 S 6/1981 Stutzer  
 D260,690 S 9/1981 Stutzer  
 D260,941 S 9/1981 Figur  
 4,569,136 A 2/1986 Loring  
 4,676,237 A 6/1987 Wood et al.  
 4,771,295 A 9/1988 Baker et al.  
 4,771,796 A 9/1988 Myer  
 4,797,692 A 1/1989 Ims  
 4,848,374 A 7/1989 Chard et al.  
 4,945,448 A 7/1990 Bremenour et al.  
 4,945,929 A 8/1990 Egilmex  
 4,972,855 A 11/1990 Kuriyama et al.  
 4,990,939 A 2/1991 Sekiya et al.  
 5,060,671 A 10/1991 Counts et al.  
 5,124,200 A 6/1992 Mallonee  
 5,144,962 A 9/1992 Counts et al.  
 5,224,265 A 7/1993 Dux et al.  
 5,327,915 A 7/1994 Porenski et al.  
 5,388,574 A 2/1995 Ingebretsen  
 5,505,214 A 4/1996 Collins et al.  
 5,646,666 A 7/1997 Cowger et al.  
 5,666,977 A 9/1997 Higgins et al.  
 5,703,633 A 12/1997 Gehrer et al.  
 5,743,251 A 4/1998 Howell et al.  
 5,819,756 A 10/1998 Mielordt  
 5,894,841 A 4/1999 Voges  
 5,996,589 A 12/1999 St. Charles  
 6,062,213 A 5/2000 Fuisz et al.  
 D433,532 S \* 11/2000 Higgins ..... D27/186  
 6,155,268 A 12/2000 Takeuchi  
 6,196,218 B1 3/2001 Voges  
 D439,878 S \* 4/2001 Ark ..... D13/103  
 6,234,167 B1 5/2001 Cox et al.  
 6,322,268 B1 11/2001 Kaufmann et al.  
 6,471,782 B1 10/2002 Fang et al.  
 6,501,052 B2 12/2002 Cox et al.  
 6,598,607 B2 7/2003 Adiga et al.  
 6,620,659 B2 9/2003 Emma et al.  
 6,701,921 B2 3/2004 Sprinkel, Jr. et al.  
 6,719,443 B2 4/2004 Gutstein et al.  
 6,722,763 B1 4/2004 Hsu et al.  
 7,059,307 B2 6/2006 Pellizzari et al.  
 D531,180 S 10/2006 Goto  
 7,143,766 B2 12/2006 Schuster et al.  
 D623,589 S \* 9/2010 Tarter ..... D13/103  
 D624,238 S 9/2010 Turner  
 D642,330 S 7/2011 Turner  
 D644,375 S 8/2011 Zhou  
 D645,816 S 9/2011 Sasada et al.  
 D675,777 S 2/2013 Wu  
 8,365,742 B2 2/2013 Hon  
 8,375,957 B2 2/2013 Hon  
 8,393,331 B2 3/2013 Hon  
 8,490,628 B2 7/2013 Hon  
 D688,415 S 8/2013 Kim  
 D693,053 S 11/2013 Chen  
 D693,765 S 11/2013 Workman et al.  
 D695,450 S 12/2013 Benassayag et al.  
 D700,138 S \* 2/2014 Walz ..... D13/103  
 D702,876 S \* 4/2014 Liu ..... D27/194  
 D704,634 S 5/2014 Eidelman et al.  
 D713,335 S \* 9/2014 Mao ..... D13/103  
 D716,729 S \* 11/2014 Kelly ..... D13/110  
 D718,492 S 11/2014 Albanese  
 D720,094 S 12/2014 Alima  
 D720,095 S 12/2014 Alima

D720,496 S 12/2014 Alima  
 D720,497 S 12/2014 Alima  
 D720,881 S 1/2015 Liu  
 D720,882 S 1/2015 Albanese  
 D720,883 S 1/2015 Albanese  
 D721,202 S 1/2015 Liu  
 D722,166 S 2/2015 Buehl et al.  
 D722,956 S \* 2/2015 Alima ..... D13/103  
 8,955,522 B1 2/2015 Bowen et al.  
 D724,263 S 3/2015 Malhi  
 D724,782 S 3/2015 Wu  
 D725,310 S 3/2015 Eksouzian  
 D726,364 S 4/2015 Weigensberg  
 D727,562 S \* 4/2015 Li ..... D27/101  
 D729,441 S 5/2015 Hua  
 D730,282 S \* 5/2015 Miller ..... D13/103  
 9,038,642 B2 5/2015 Liu  
 D731,112 S \* 6/2015 Li ..... D27/101  
 D732,733 S 6/2015 Spagnolo et al.  
 D733,050 S \* 6/2015 Chiang ..... D13/103  
 D735,661 S \* 8/2015 Miller ..... H02J 7/0027  
 D13/103  
 D751,978 S \* 3/2016 Hong ..... D13/103  
 D752,278 S \* 3/2016 Verleur ..... D13/103  
 D753,873 S \* 4/2016 Schuessler ..... D27/101  
 D765,594 S \* 9/2016 Li ..... D13/103  
 2005/0017685 A1 1/2005 Rees et al.  
 2006/0093977 A1 5/2006 Pellizzari et al.  
 2008/0257367 A1 10/2008 Paterno et al.  
 2010/0313901 A1 \* 12/2010 Fernando ..... A24F 47/008  
 131/330  
 2011/0220234 A1 9/2011 Haas  
 2012/0318882 A1 12/2012 Abehasera  
 2013/0042865 A1 2/2013 Monsees et al.  
 2013/0152922 A1 6/2013 Benassayag et al.  
 2013/0180533 A1 7/2013 Kim et al.  
 2013/0192617 A1 8/2013 Thompson  
 2013/0199528 A1 8/2013 Goodman et al.  
 2013/0213420 A1 8/2013 Hon  
 2013/0220315 A1 8/2013 Conley et al.  
 2013/0284190 A1 10/2013 Scatterday et al.  
 2013/0298905 A1 11/2013 Levin et al.  
 2014/0034070 A1 2/2014 Schennum  
 2014/0041655 A1 2/2014 Barron et al.  
 2014/0261499 A1 9/2014 Hon  
 2015/0027467 A1 \* 1/2015 Liu ..... A24F 47/008  
 131/329  
 2015/0027471 A1 1/2015 Feldman et al.  
 2015/0090253 A1 \* 4/2015 Farrow ..... A24F 47/008  
 128/200.14  
 2015/0091501 A1 4/2015 Claudepierre  
 2015/0296889 A1 \* 10/2015 Liu ..... A24F 47/008  
 131/329

FOREIGN PATENT DOCUMENTS

CN 201018927 Y 2/2008  
 CN 203087525 U 7/2013  
 CN 203182012 U 9/2013  
 EP 0 358 114 A2 3/1990  
 EP 0 533 599 A1 3/1993  
 EP 0 845 220 A1 6/1998  
 EP 2 654 471 B1 10/2013  
 KR 101 011 453 B1 1/2011  
 WO 98/17131 A1 4/1998  
 WO 02/098390 A2 12/2002  
 WO 03/000324 A1 1/2003  
 WO 03/034847 A1 5/2003  
 WO 2007/078273 A1 7/2007  
 WO 2012/072762 A1 6/2012  
 WO 2013/034453 A1 3/2013  
 WO 2013/093695 A1 6/2013  
 WO 2013/116567 A1 8/2013  
 WO 2013/155645 A1 10/2013

(56)

**References Cited**

FOREIGN PATENT DOCUMENTS

WO 2013/159245 A1 10/2013  
WO 2014/008646 A1 1/2014

OTHER PUBLICATIONS

“What is a MOSFET, what does it look like, and how does it work?”  
dated May 24, 2004, printed from the Internet Archive, i.e., the  
Wayback machine, which was archived on Mar. 5, 2010  
 (“TechPowerUp”).

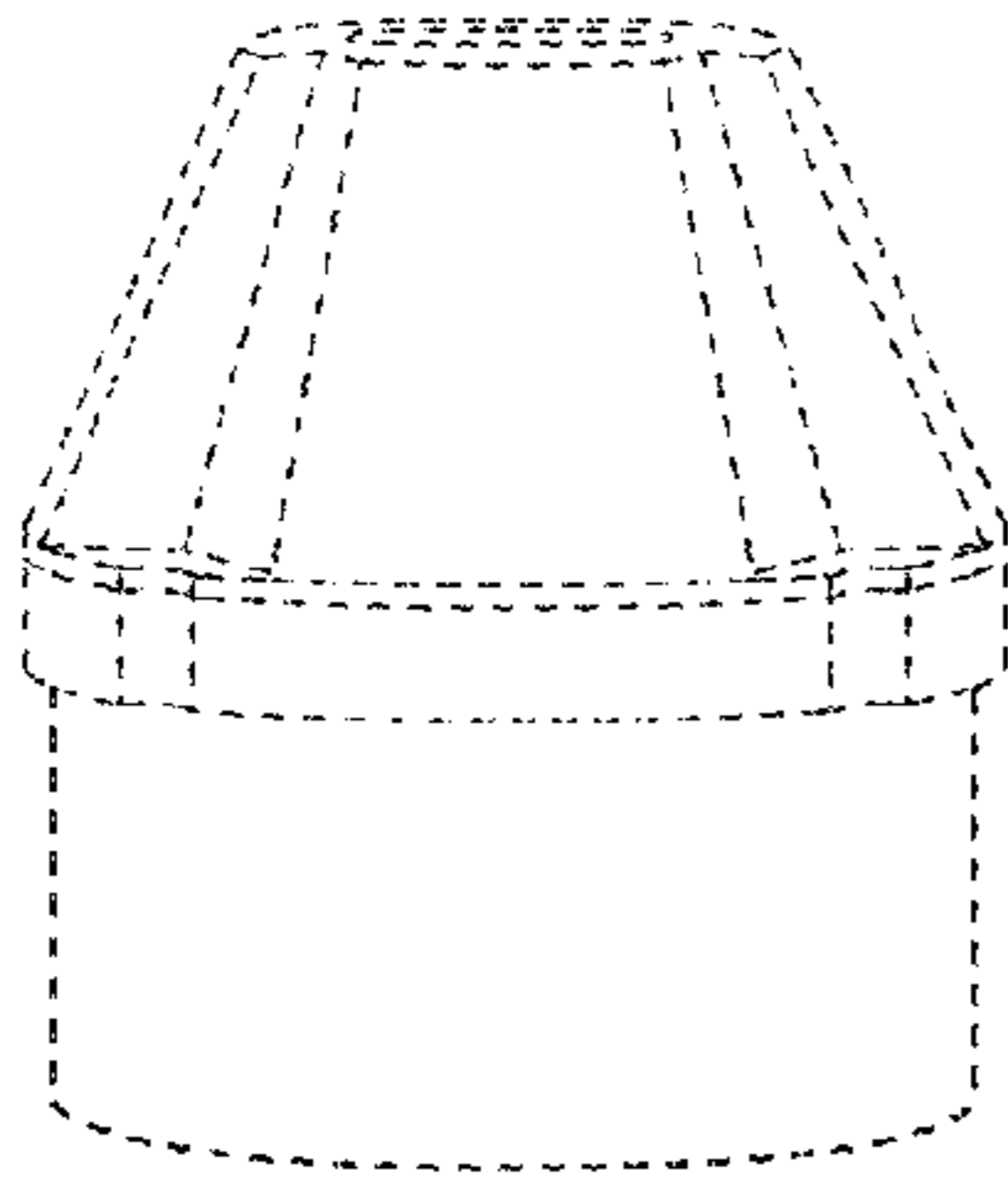
“What is a MOSFET, what does it look like, and how does it work?”  
dated May 24, 2004, printed from the Internet Archive, i.e., the  
Wayback machine, which was archived on Jul. 20, 2011  
 (“TechPowerUp”).

European Patent Office Search Report mailed Oct. 12, 2015 for EP  
Application No. 14159710.4, filed Mar. 14, 2014.

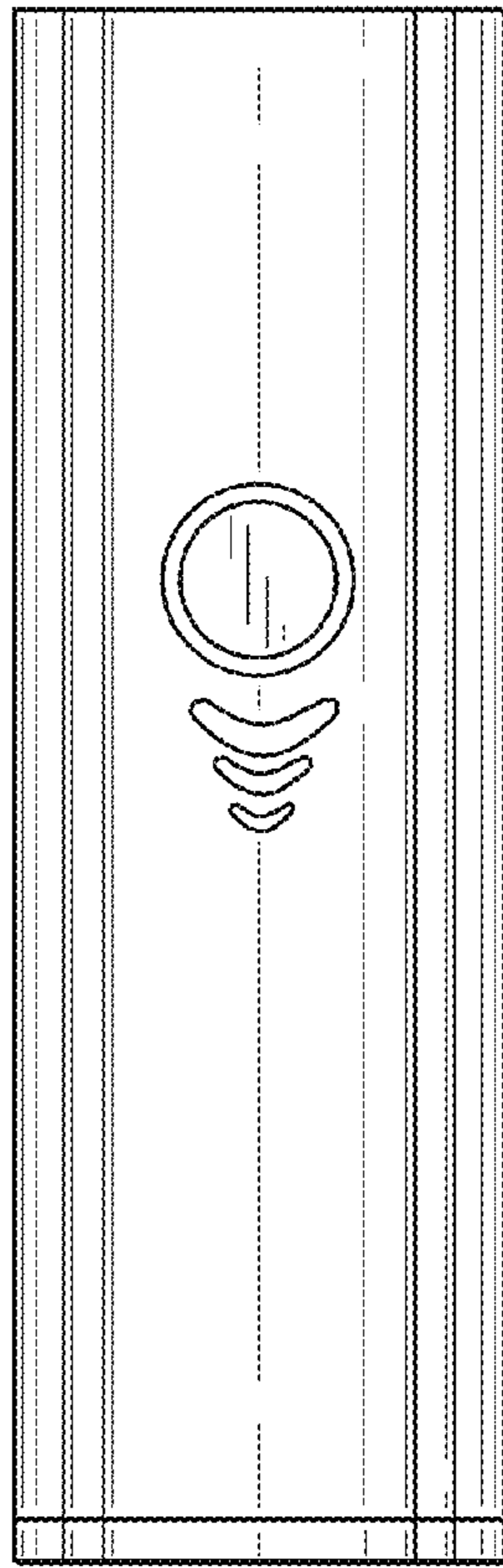
European Patent Office, Partial European Search Report mailed Oct.  
13, 2015 for EP Application No. 14159709.6 filed Mar. 14, 2014.

\* cited by examiner

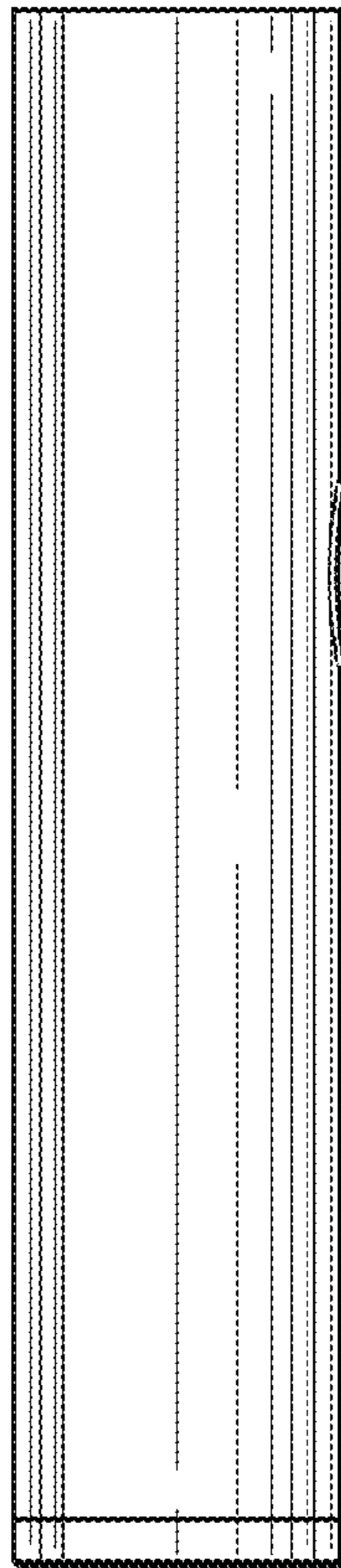
**FIG. 1**



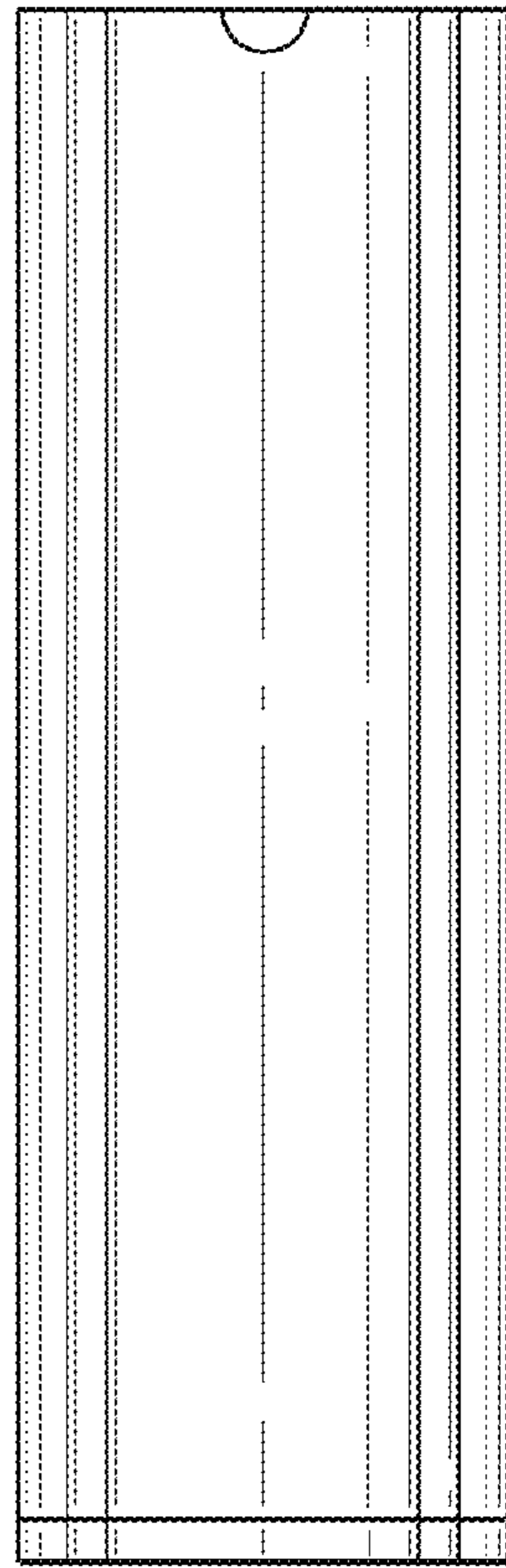
**FIG. 2**



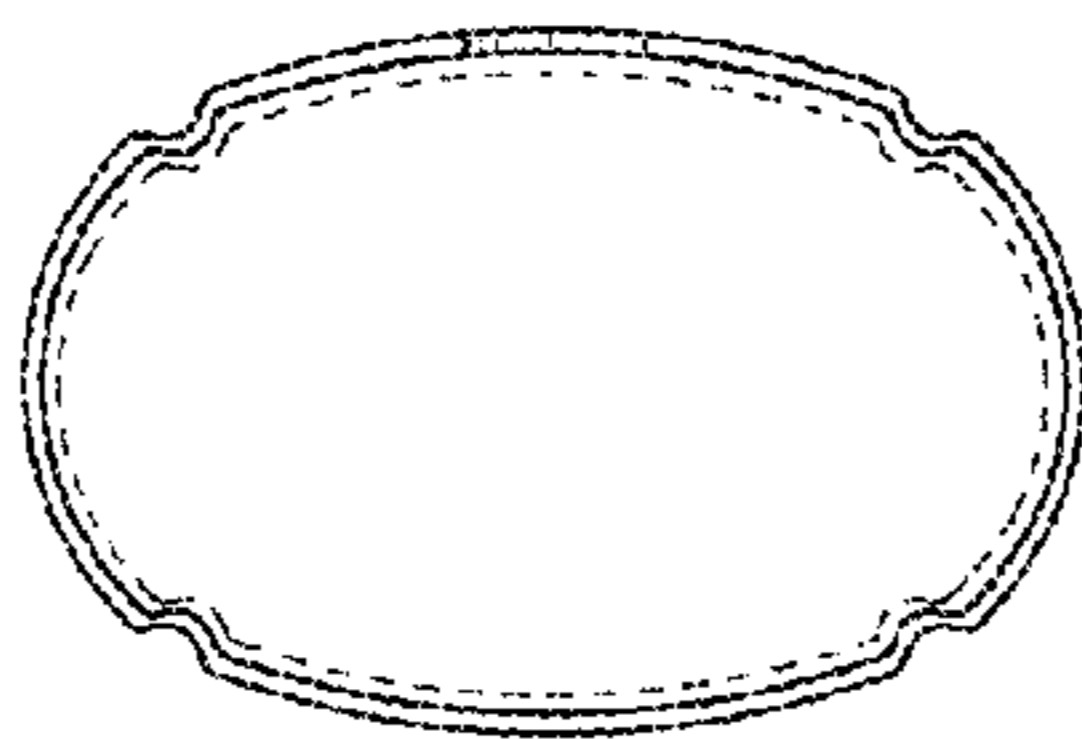
**FIG. 3**



**FIG. 4**



**FIG. 5**



**FIG. 6**

