



US00D788696S

(12) **United States Design Patent**
Yonishi et al.

(10) **Patent No.:** **US D788,696 S**
(45) **Date of Patent:** **** Jun. 6, 2017**

- (54) **RECHARGEABLE BATTERY**
- (71) Applicant: **Sony Corporation**, Tokyo (JP)
- (72) Inventors: **Kiyoshi Yonishi**, Fukushima (JP);
Atsuhiko Kumagai, Kanagawa (JP)
- (73) Assignee: **SONY CORPORATION**, Tokyo (JP)
- (**) Term: **14 Years**
- (21) Appl. No.: **29/497,846**
- (22) Filed: **Jul. 29, 2014**

- Jun. 5, 2012 (JP) D2012-013304
- Jun. 5, 2012 (JP) D2012-013305
- Jun. 5, 2012 (JP) D2012-013306
- (51) **LOC (10) Cl.** **13-02**
- (52) **U.S. Cl.**
USPC **D13/103**
- (58) **Field of Classification Search**
USPC D13/102-104, 110, 118-121, 184, 199;
429/96-100, 163, 176
CPC Y02E 60/12; Y02E 60/122; Y02E 60/124;
Y02E 60/50; H01M 2/02; H01M 2/022;
H01M 2/0202; H01M 2/0207; H01M
2/0212; H01M 2/1061; H01M 2/1022;
H01M 2/1055; H01M 2/1066; H01M
2/105; H01M 2/204; H01M 10/4257;
H01M 10/0436; H01M 10/48; A24F
47/00; A24F 47/002; A24F 47/004; A24F
47/008

Related U.S. Application Data

- (63) Continuation of application No. 29/462,492, filed on Aug. 5, 2013, now Pat. No. Des. 711,826, which is a continuation of application No. 29/442,045, filed on Nov. 21, 2012, now Pat. No. Des. 687,777.

See application file for complete search history.

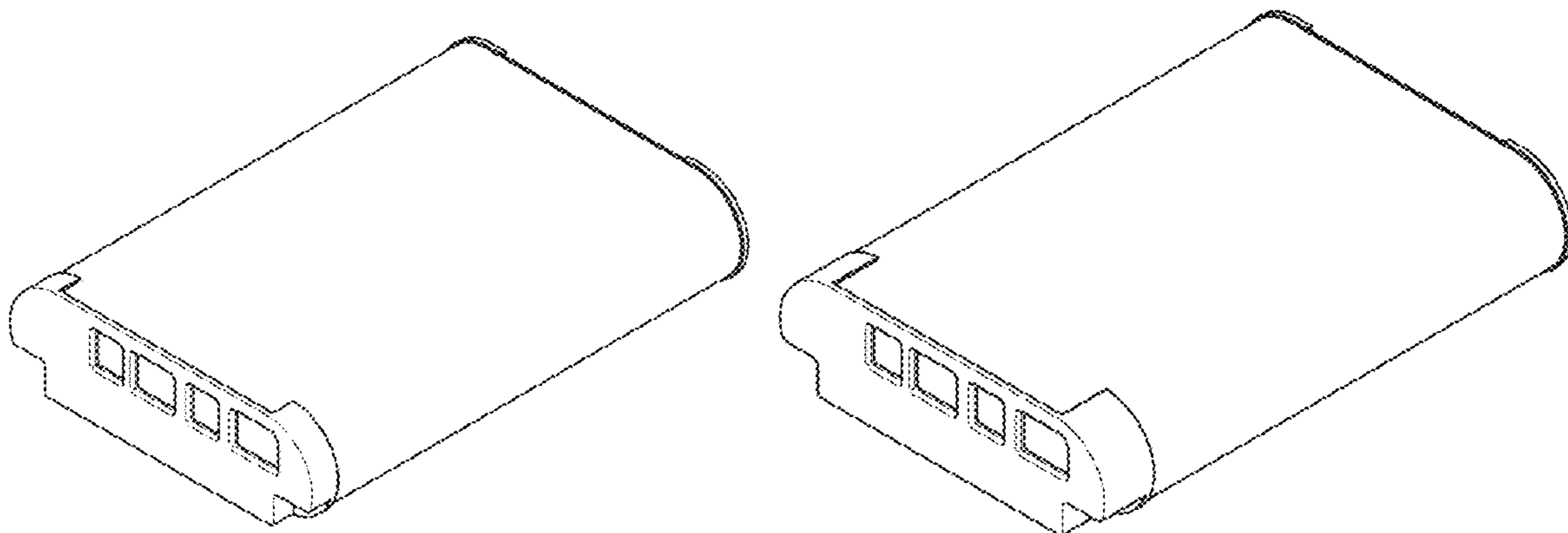
(30) **Foreign Application Priority Data**

- May 24, 2012 (CN) 2012 3 0195617
- May 24, 2012 (CN) 2012 3 0195623
- Jun. 5, 2012 (JP) D2012-013285
- Jun. 5, 2012 (JP) D2012-013286
- Jun. 5, 2012 (JP) D2012-013287
- Jun. 5, 2012 (JP) D2012-013288
- Jun. 5, 2012 (JP) D2012-013289
- Jun. 5, 2012 (JP) D2012-013290
- Jun. 5, 2012 (JP) D2012-013291
- Jun. 5, 2012 (JP) D2012-013292
- Jun. 5, 2012 (JP) D2012-013293
- Jun. 5, 2012 (JP) D2012-013294
- Jun. 5, 2012 (JP) D2012-013295
- Jun. 5, 2012 (JP) D2012-013296
- Jun. 5, 2012 (JP) D2012-013297
- Jun. 5, 2012 (JP) D2012-013298
- Jun. 5, 2012 (JP) D2012-013299
- Jun. 5, 2012 (JP) D2012-013300
- Jun. 5, 2012 (JP) D2012-013301
- Jun. 5, 2012 (JP) D2012-013302
- Jun. 5, 2012 (JP) D2012-013303

(56) **References Cited**

U.S. PATENT DOCUMENTS

- D277,747 S 2/1985 Toth
- D335,277 S 5/1993 Hattori
- D356,291 S 3/1995 Kawamura
- D362,839 S 10/1995 Tamaki
- D400,848 S 11/1998 Clark et al.
- D417,860 S 12/1999 Lau
- D426,513 S 6/2000 Toops et al.
- D439,877 S 4/2001 Vacheron et al.
- 6,376,122 B1 4/2002 Cheeseman
- D473,186 S 4/2003 Grosfeld et al.
- D478,086 S 8/2003 Chuang
- D486,789 S 2/2004 Santiago
- D490,370 S 5/2004 Picardo
- D509,182 S 9/2005 Takeshita et al.
- D515,499 S 2/2006 Matsuda et al.
- D516,018 S 2/2006 Ohsako et al.
- D516,019 S 2/2006 Ohsako et al.
- D516,503 S 3/2006 Takeshita et al.
- D548,181 S 8/2007 Krieger et al.
- 7,462,417 B2 12/2008 Moon
- D586,742 S 2/2009 Song
- D590,334 S 4/2009 Tatehata et al.
- D590,335 S 4/2009 Tatehata et al.
- D590,336 S 4/2009 Tatehata et al.



D590,337 S	4/2009	Tatehata et al.	
D590,341 S	4/2009	Tatehata et al.	
D590,769 S	4/2009	Tatehata et al.	
D592,130 S	5/2009	Tatehata et al.	
D601,494 S	10/2009	Otani et al.	
D604,696 S	11/2009	Tasai	
D608,276 S	1/2010	Takeshita et al.	
D618,171 S	6/2010	Tatehata et al.	
D619,959 S	7/2010	Takeshita et al.	
D622,213 S	8/2010	Nomi et al.	
D623,590 S	9/2010	Otani et al.	
D635,512 S	4/2011	Tatehata et al.	
7,985,501 B2	7/2011	Kim et al.	
D642,980 S	8/2011	Inaba	
7,989,105 B2	8/2011	Suzuki et al.	
D644,988 S	9/2011	Finney et al.	
D645,814 S	9/2011	Otani et al.	
D646,222 S	10/2011	Tatehata et al.	
D662,473 S	6/2012	Andre et al.	
D669,427 S	10/2012	Ignor et al.	
D685,319 S *	7/2013	Ignor	D13/103
D686,148 S *	7/2013	Inaba	D13/103
D686,981 S	7/2013	Koyabu et al.	
D687,777 S	8/2013	Yonishi et al.	
D688,198 S *	8/2013	Takeshita	D13/103
D711,826 S *	8/2014	Yonishi	D13/119
2004/0053128 A1	3/2004	Smith et al.	
2005/0008931 A1	1/2005	Axelrod	
2006/0281002 A1	12/2006	Aoki et al.	
2008/0152994 A1	6/2008	Yamagami et al.	
2008/0305367 A1	12/2008	Baek et al.	
2011/0129697 A1 *	6/2011	Sim	H01M 2/0202 429/7
2011/0151284 A1 *	6/2011	Baek	H01M 2/0267 429/7
2011/0177362 A1 *	7/2011	Kim	H01M 2/0469 429/7
2011/0250489 A1	10/2011	Baek et al.	
2012/0106015 A1 *	5/2012	Kwak	H01M 2/0207 361/103
2012/0121945 A1 *	5/2012	Kim	H01M 2/0404 429/7
2013/0224530 A1 *	8/2013	Baek	H01M 2/1016 429/7
2013/0230746 A1 *	9/2013	Byun	H01M 2/1061 429/7

FOREIGN PATENT DOCUMENTS

JP	D1355276 S	4/2009
JP	D1405669 S	1/2011
WO	WO-DM/063870 S	7/2003
WO	WO-DM/065508 S	7/2003
WO	WO-DM/069177 S	9/2007

* cited by examiner

Primary Examiner — Rosemary K Tarcza
(74) Attorney, Agent, or Firm — Michael Best and Friedrich LLP

(57) CLAIM

The ornamental design for a rechargeable battery, as shown.

DESCRIPTION

FIG. 1 is a font, top, right perspective view of a first embodiment of a rechargeable battery showing our new design;
FIG. 2 is a front, bottom, left perspective view thereof;
FIG. 3 is a front elevational view thereof;
FIG. 4 is a rear elevational view thereof;
FIG. 5 is a left side elevational view thereof;

FIG. 6 is a right side elevational view thereof;
FIG. 7 is a top plan view thereof; and
FIG. 8 is a bottom plan view thereof.
FIG. 9 is a font, top, right perspective view of a second embodiment of a rechargeable battery showing our new design;
FIG. 10 is a front, bottom, left perspective view thereof;
FIG. 11 is a front elevational view thereof;
FIG. 12 is a rear elevational view thereof;
FIG. 13 is a left side elevational view thereof;
FIG. 14 is a right side elevational view thereof;
FIG. 15 is a top plan view thereof; and
FIG. 16 is a bottom plan view thereof.
FIG. 17 is a font, top, right perspective view of a third embodiment of a rechargeable battery showing our new design;
FIG. 18 is a front, bottom, left perspective view thereof;
FIG. 19 is a front elevational view thereof;
FIG. 20 is a rear elevational view thereof;
FIG. 21 is a left side elevational view thereof;
FIG. 22 is a right side elevational view thereof;
FIG. 23 is a top plan view thereof; and
FIG. 24 is a bottom plan view thereof.
FIG. 25 is a font, top, right perspective view of a fourth embodiment of a rechargeable battery showing our new design;
FIG. 26 is a front, bottom, left perspective view thereof;
FIG. 27 is a front elevational view thereof;
FIG. 28 is a rear elevational view thereof;
FIG. 29 is a left side elevational view thereof;
FIG. 30 is a right side elevational view thereof;
FIG. 31 is a top plan view thereof; and
FIG. 32 is a bottom plan view thereof.
FIG. 33 is a font, top, right perspective view of a fifth embodiment of a rechargeable battery showing our new design;
FIG. 34 is a front, bottom, left perspective view thereof;
FIG. 35 is a front elevational view thereof;
FIG. 36 is a rear elevational view thereof;
FIG. 37 is a left side elevational view thereof;
FIG. 38 is a right side elevational view thereof;
FIG. 39 is a top plan view thereof; and
FIG. 40 is a bottom plan view thereof.
FIG. 41 is a font, top, right perspective view of a sixth embodiment of a rechargeable battery showing our new design;
FIG. 42 is a front, bottom, left perspective view thereof;
FIG. 43 is a front elevational view thereof;
FIG. 44 is a rear elevational view thereof;
FIG. 45 is a left side elevational view thereof;
FIG. 46 is a right side elevational view thereof;
FIG. 47 is a top plan view thereof; and
FIG. 48 is a bottom plan view thereof.
FIG. 49 is a font, top, right perspective view of a sixth seventh embodiment of a rechargeable battery showing our new design;
FIG. 50 is a front, bottom, left perspective view thereof;
FIG. 51 is a front elevational view thereof;
FIG. 52 is a rear elevational view thereof;
FIG. 53 is a left side elevational view thereof;
FIG. 54 is a right side elevational view thereof;
FIG. 55 is a top plan view thereof; and
FIG. 56 is a bottom plan view thereof.

FIG.1

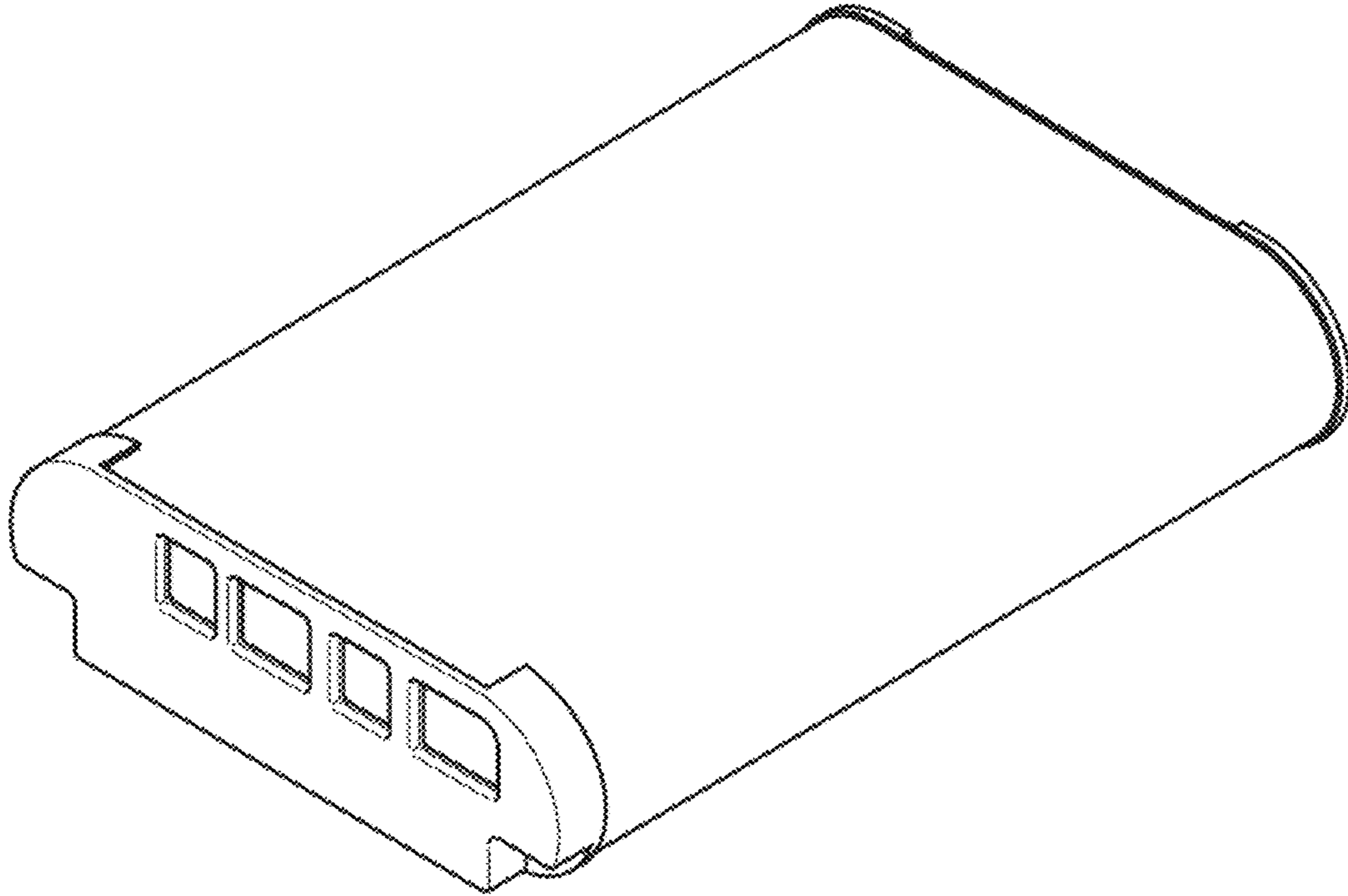


FIG.2

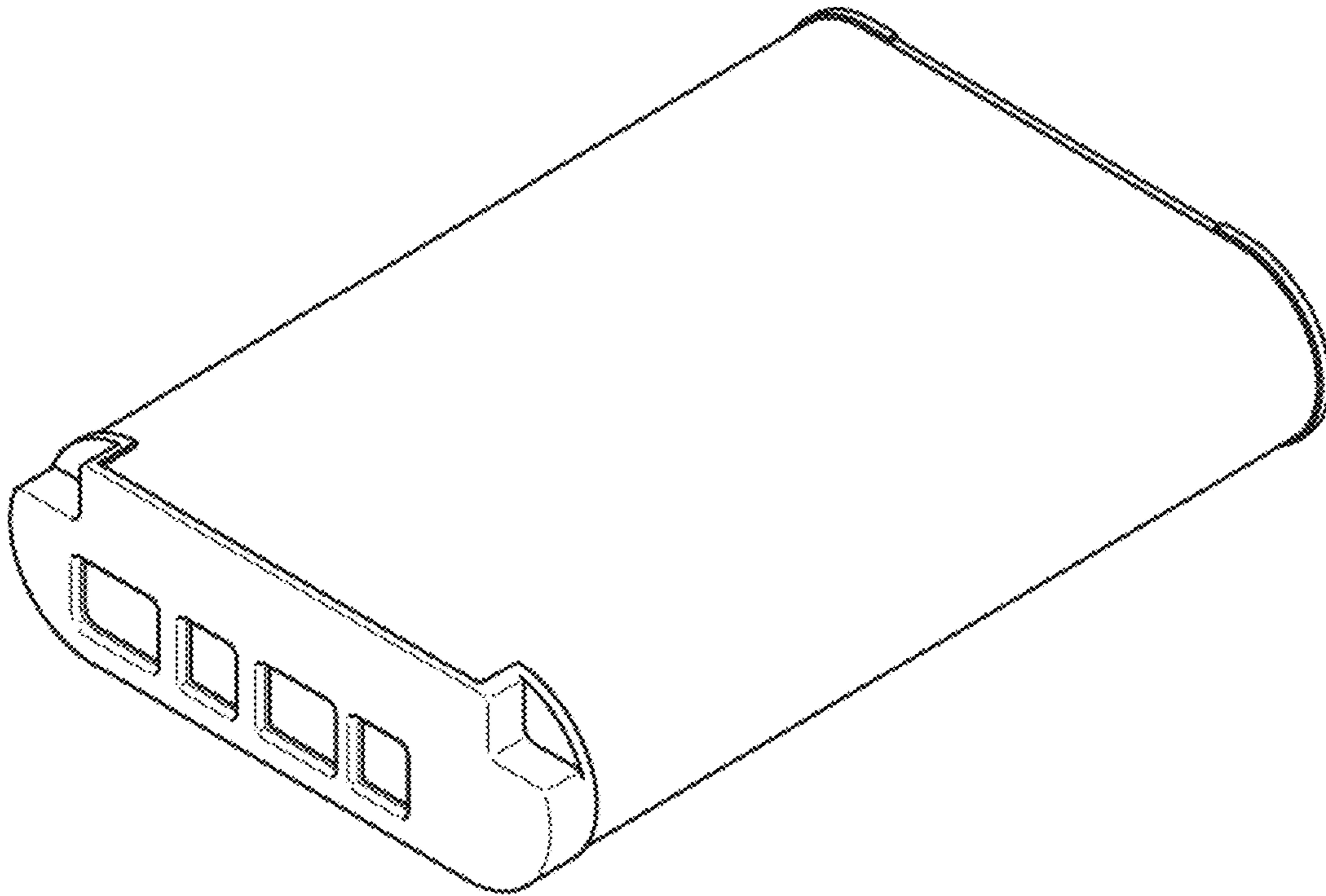


FIG.3

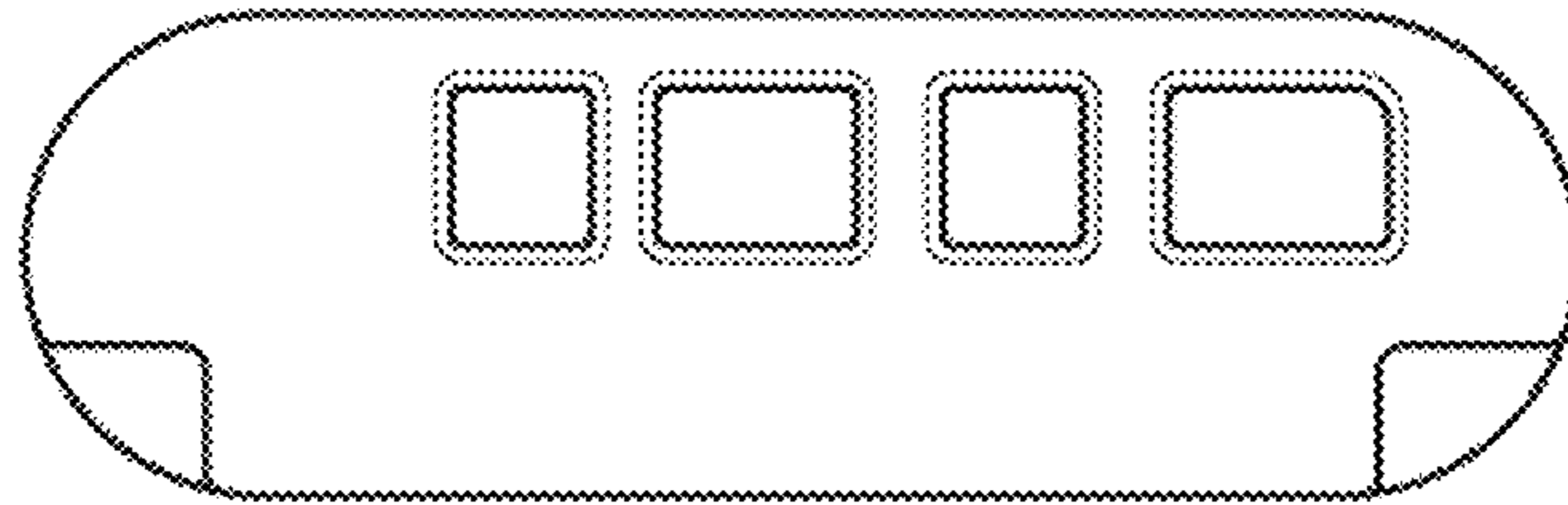


FIG.4



FIG.5



FIG.6

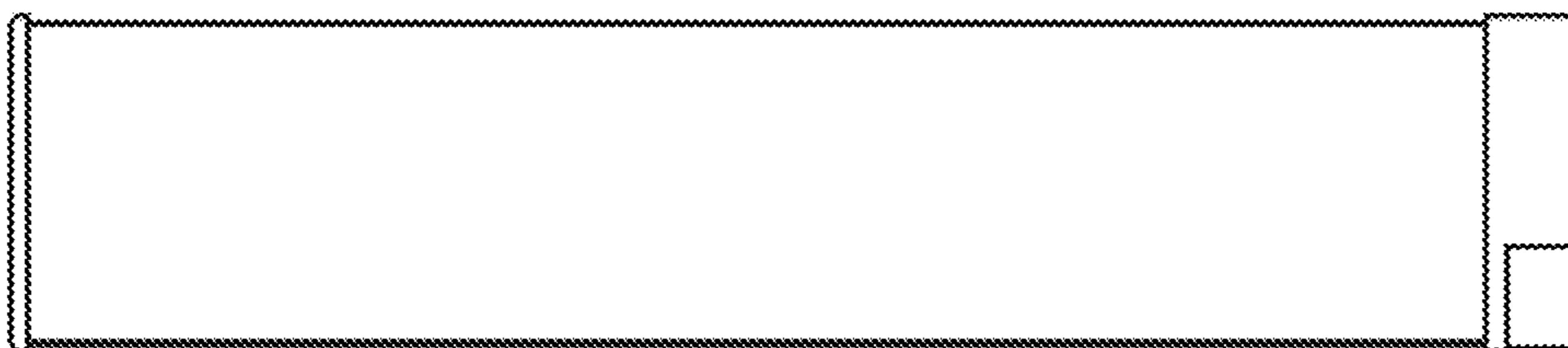


FIG.8

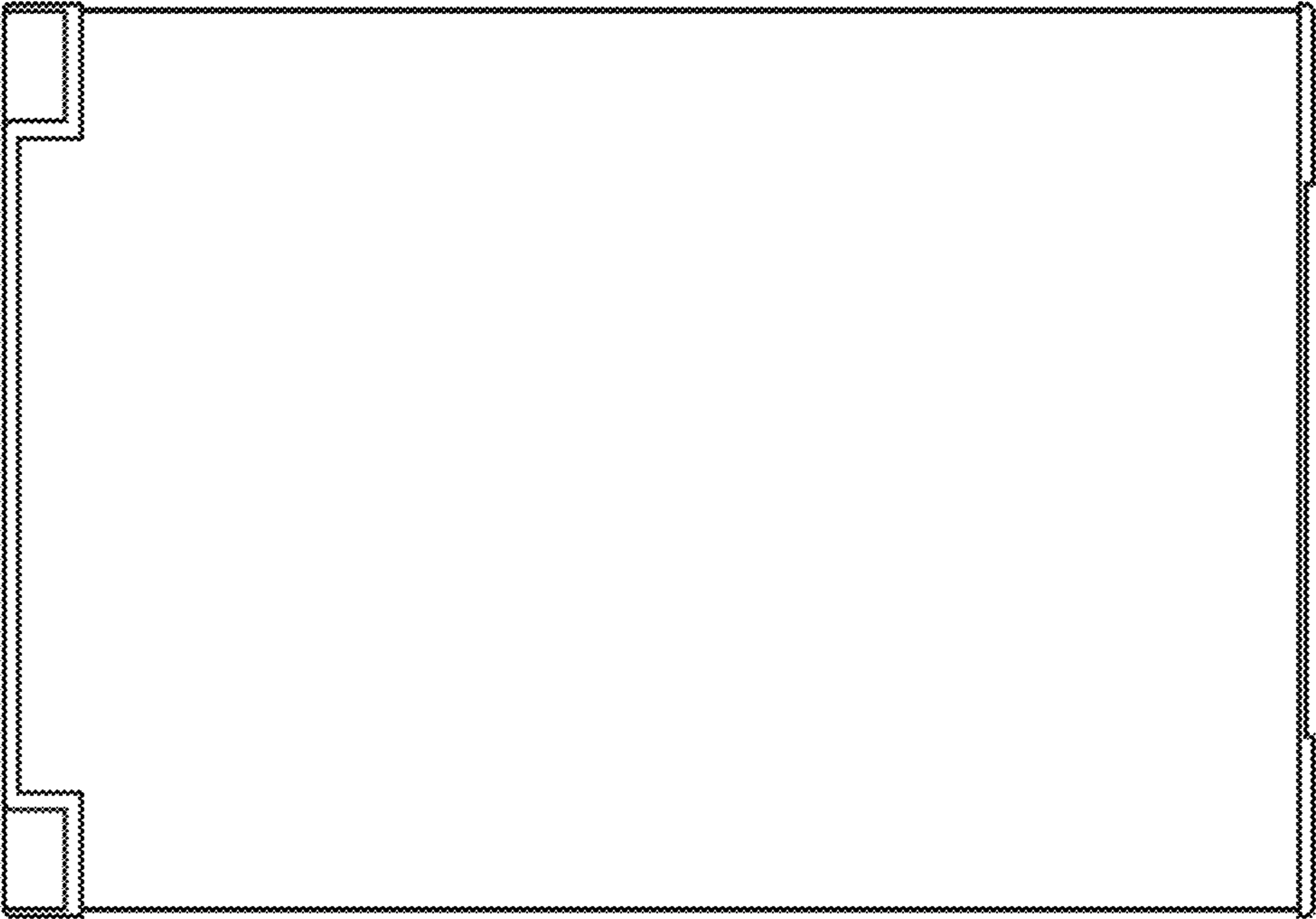


FIG.7

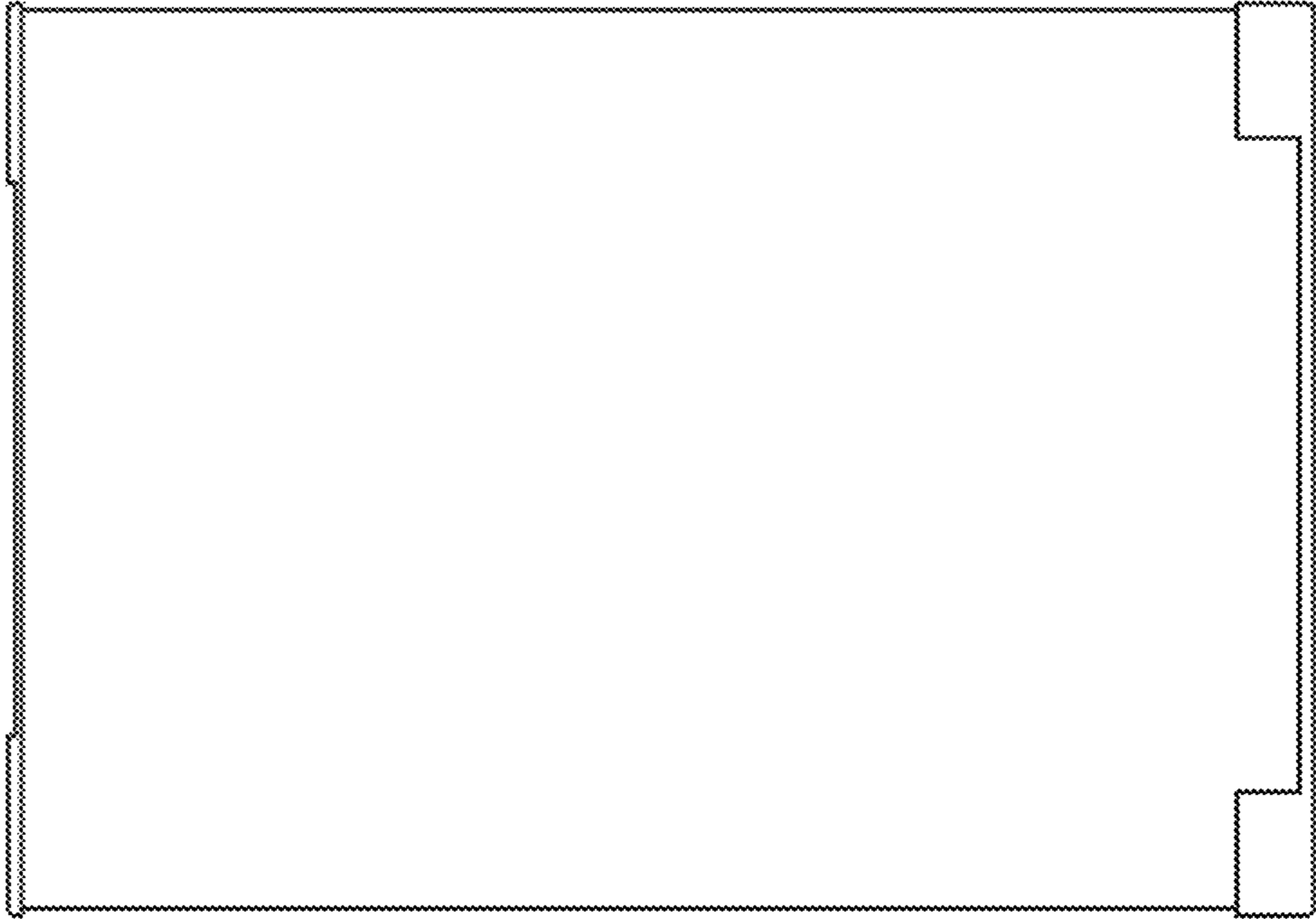


FIG.9

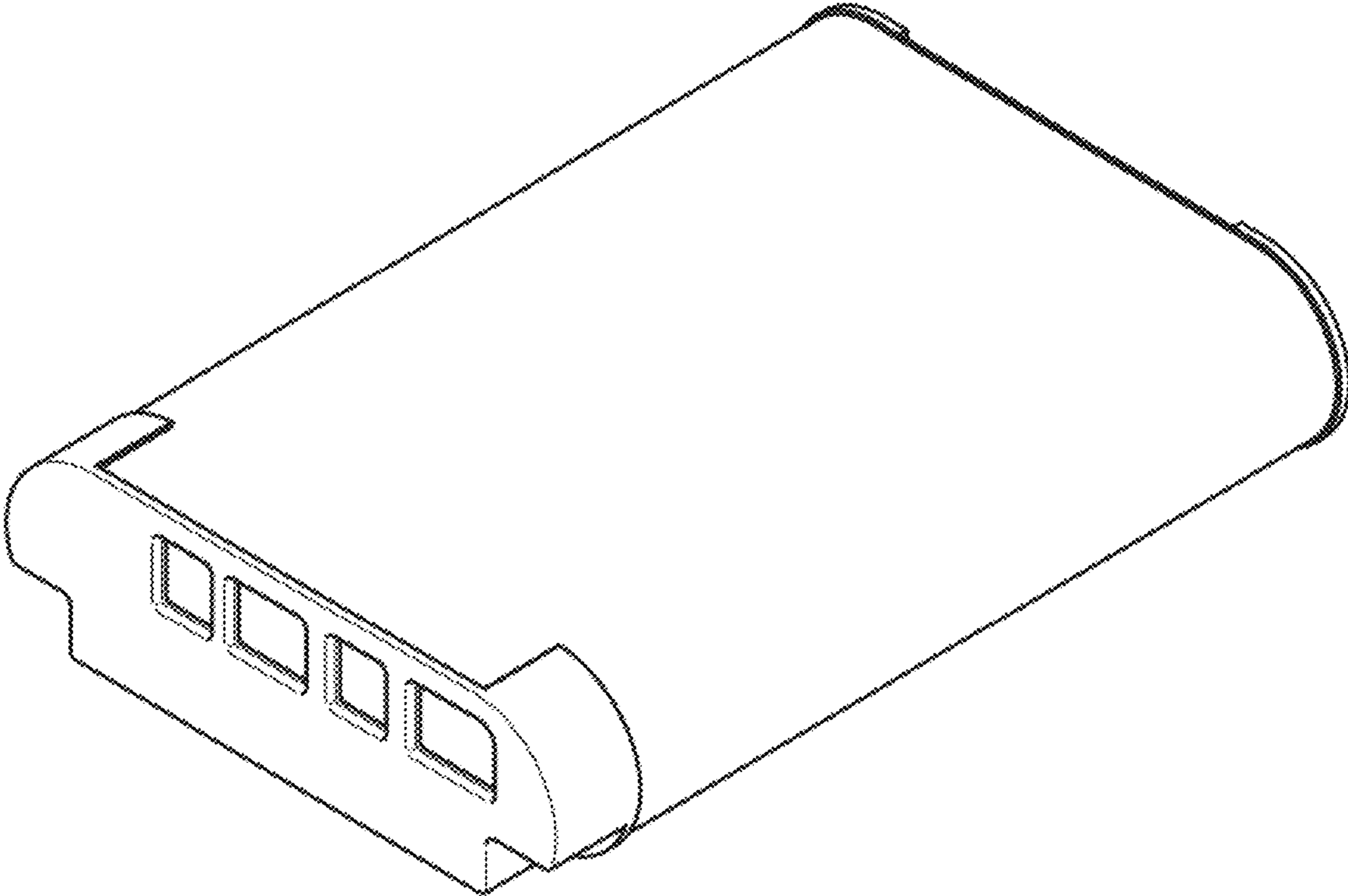


FIG.10

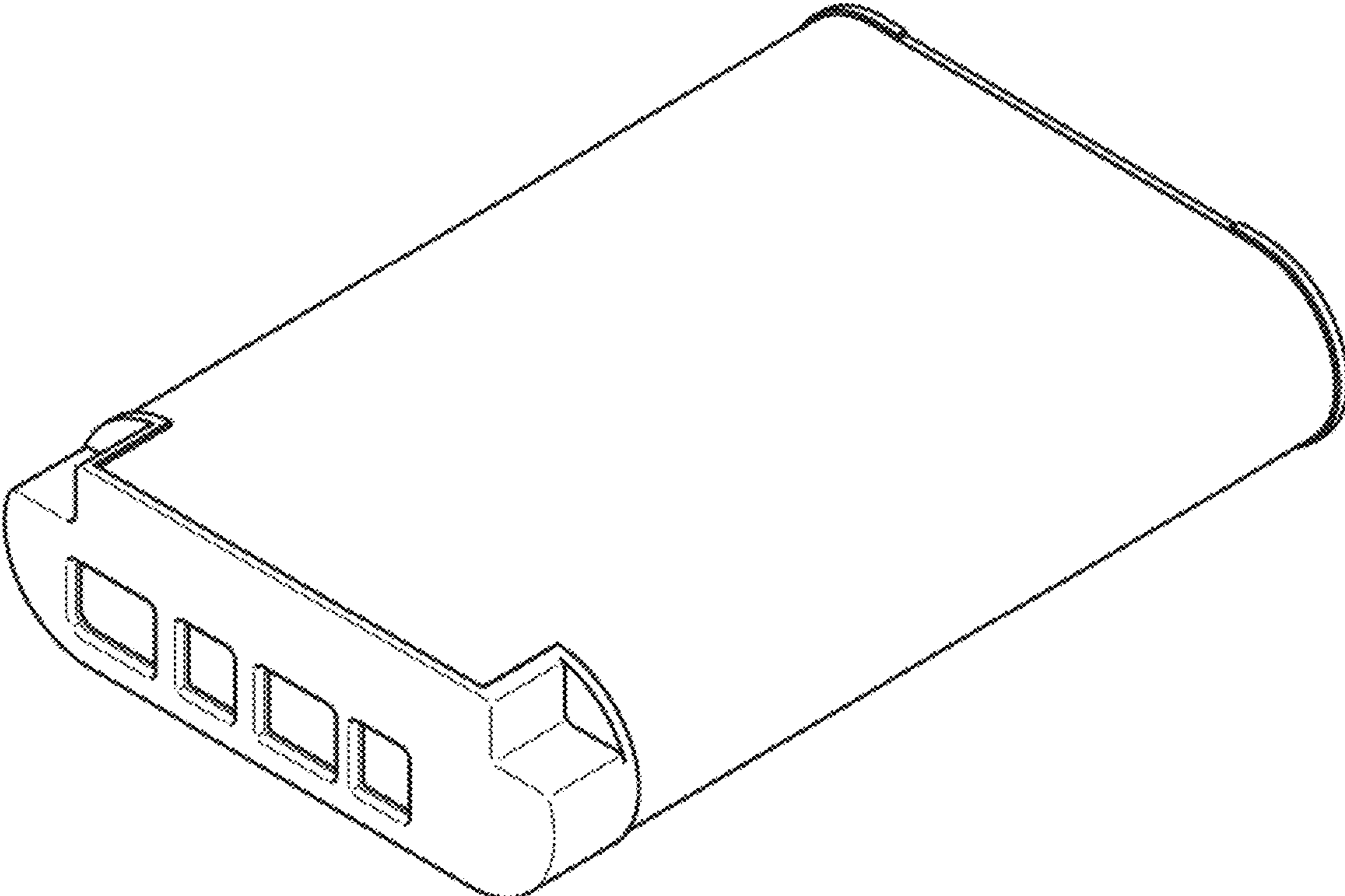


FIG.11

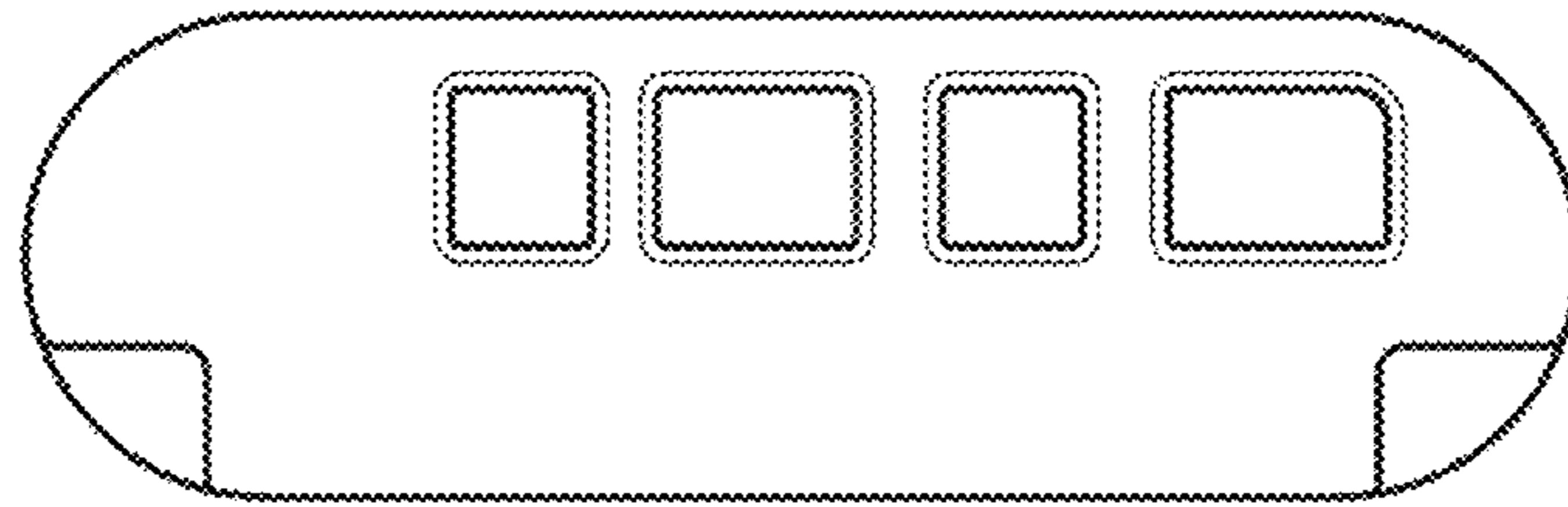


FIG.12



FIG.13



FIG.14



FIG.16

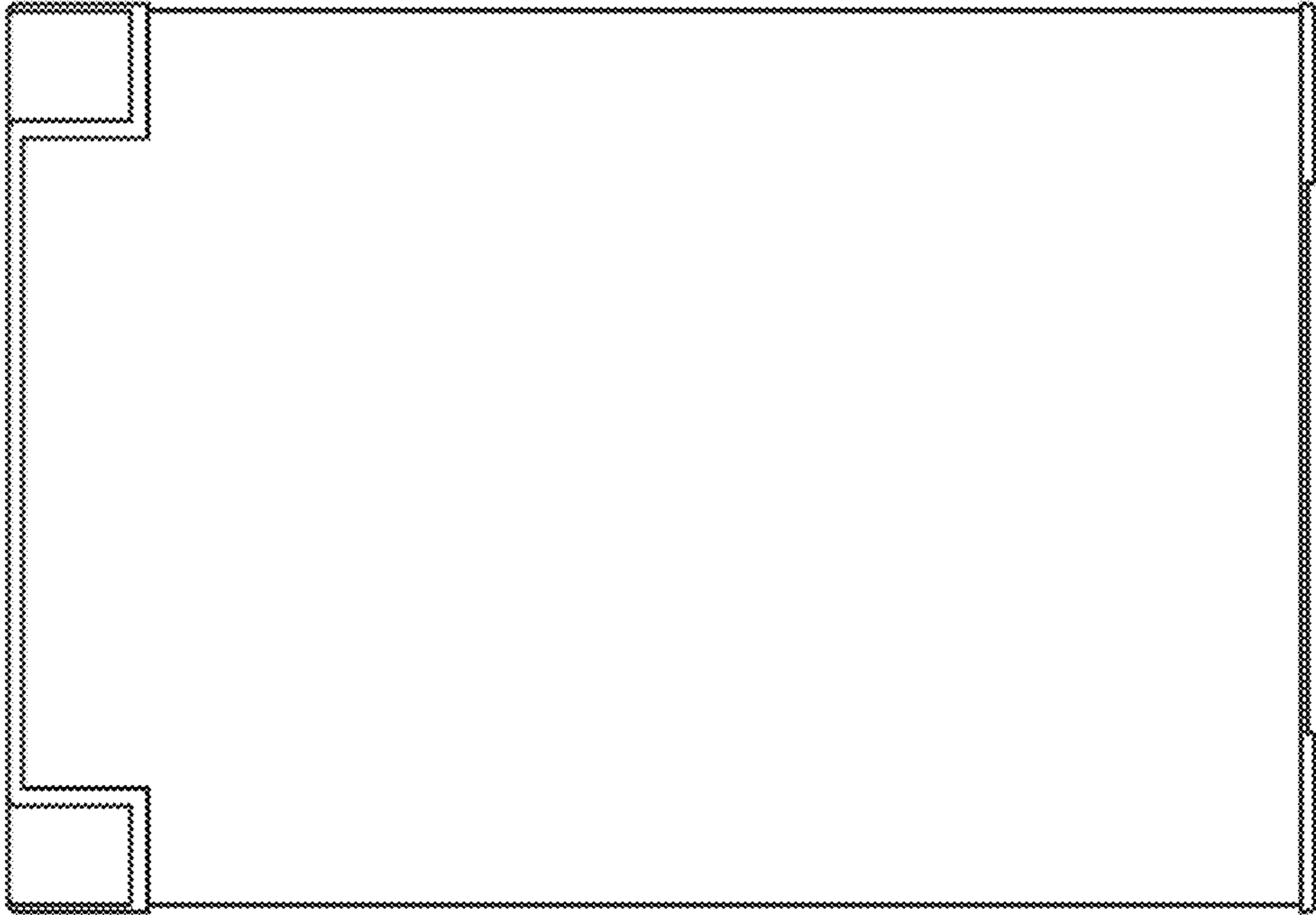


FIG.15

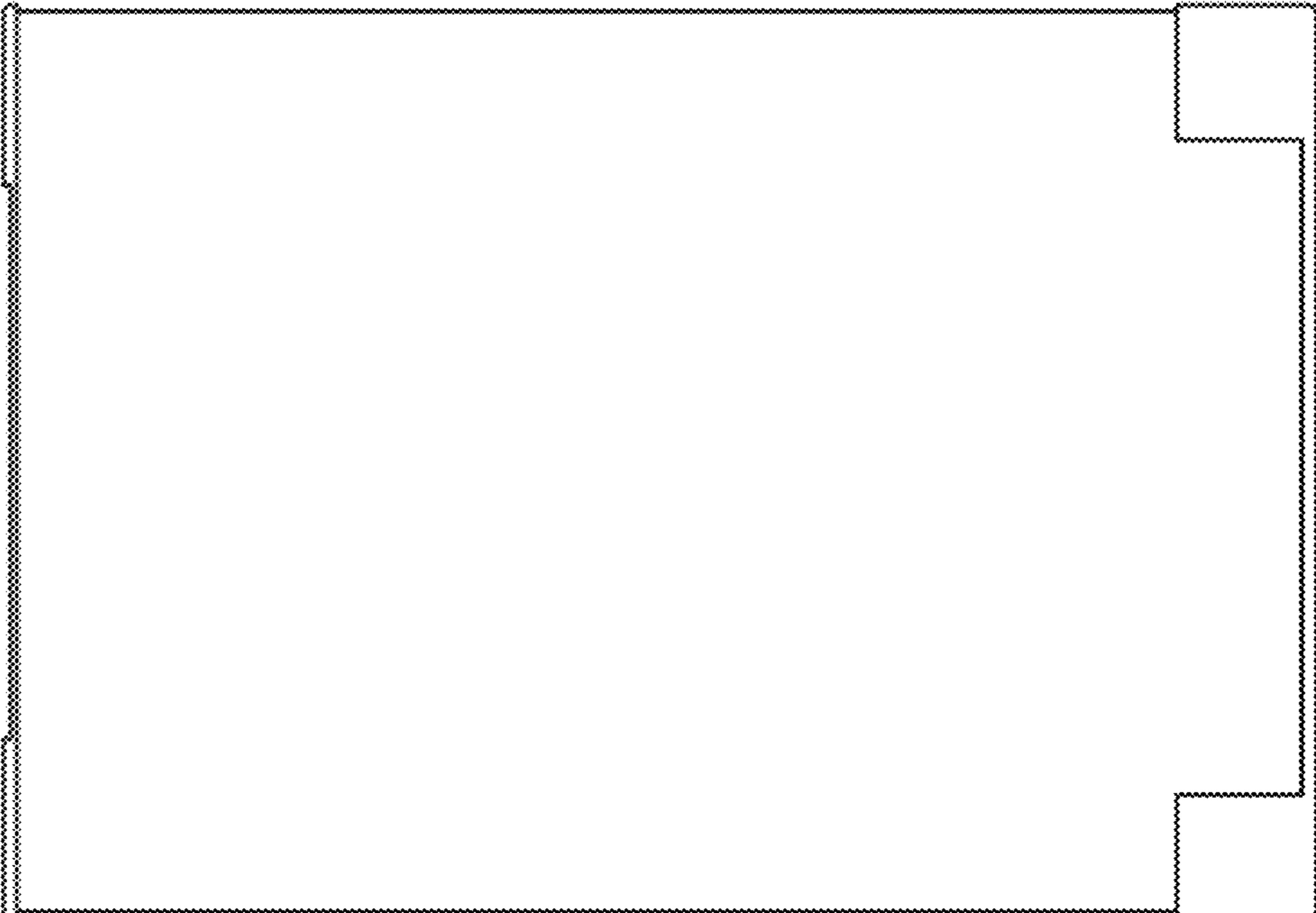


FIG.17

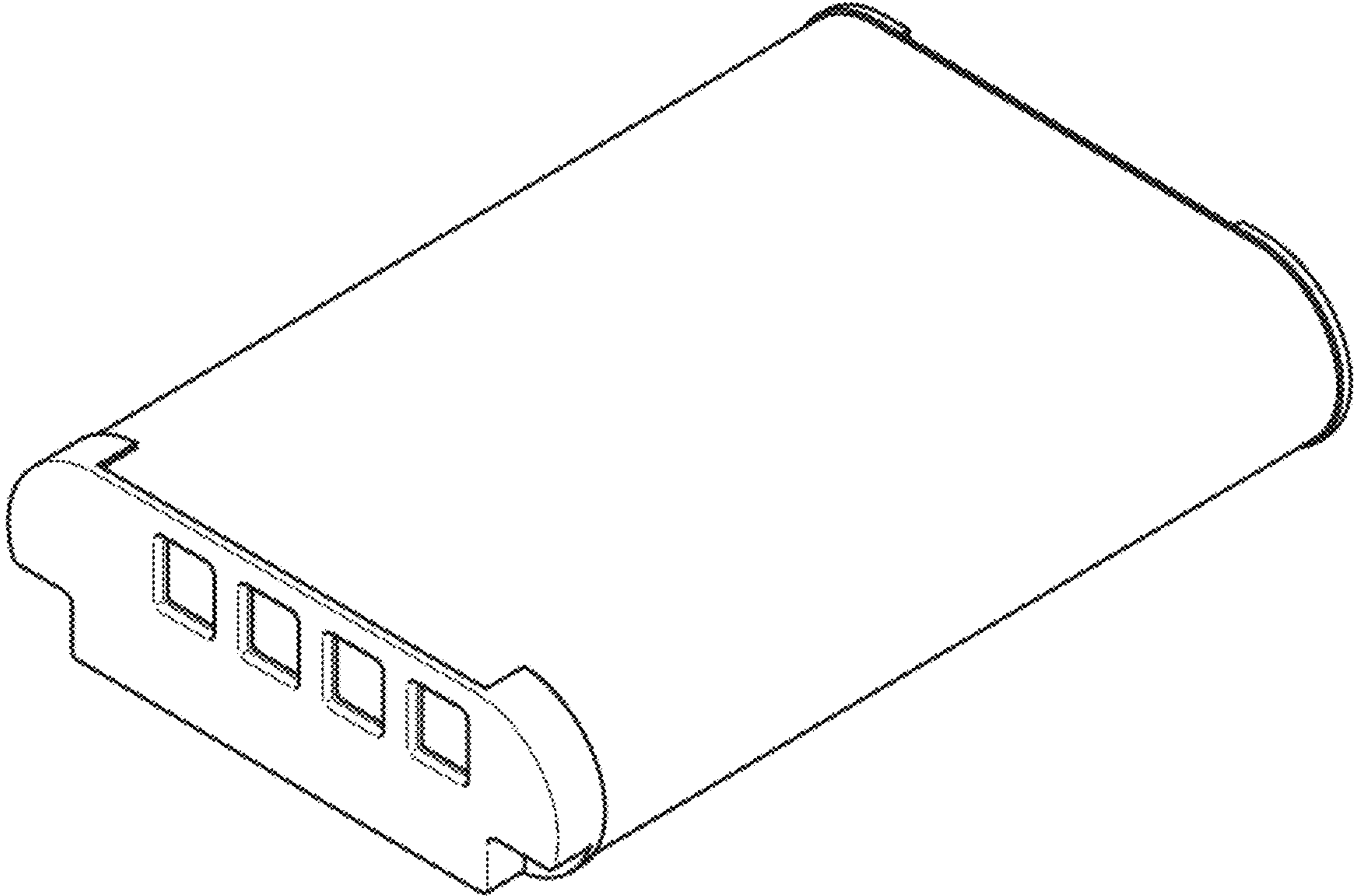


FIG.18

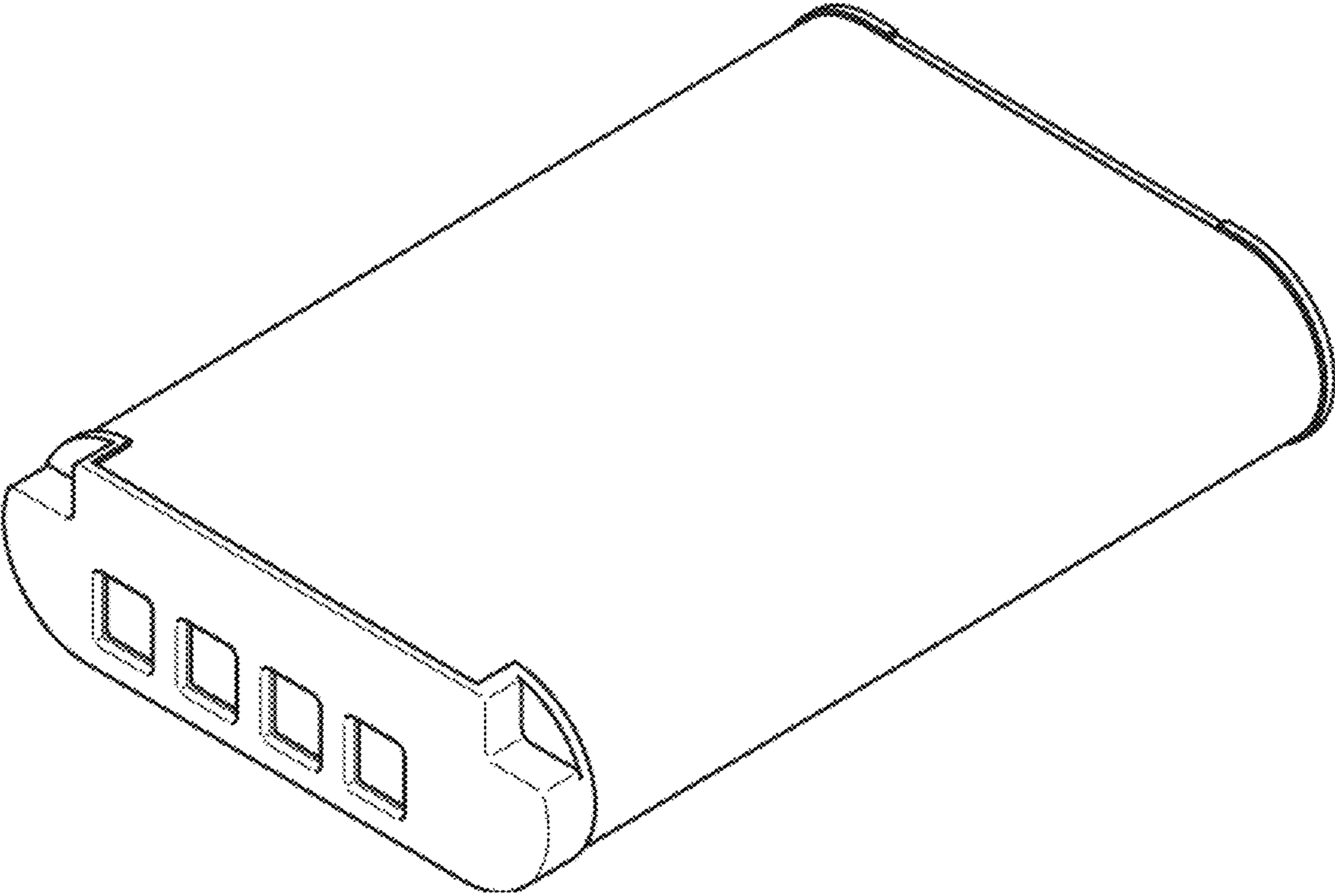


FIG.19

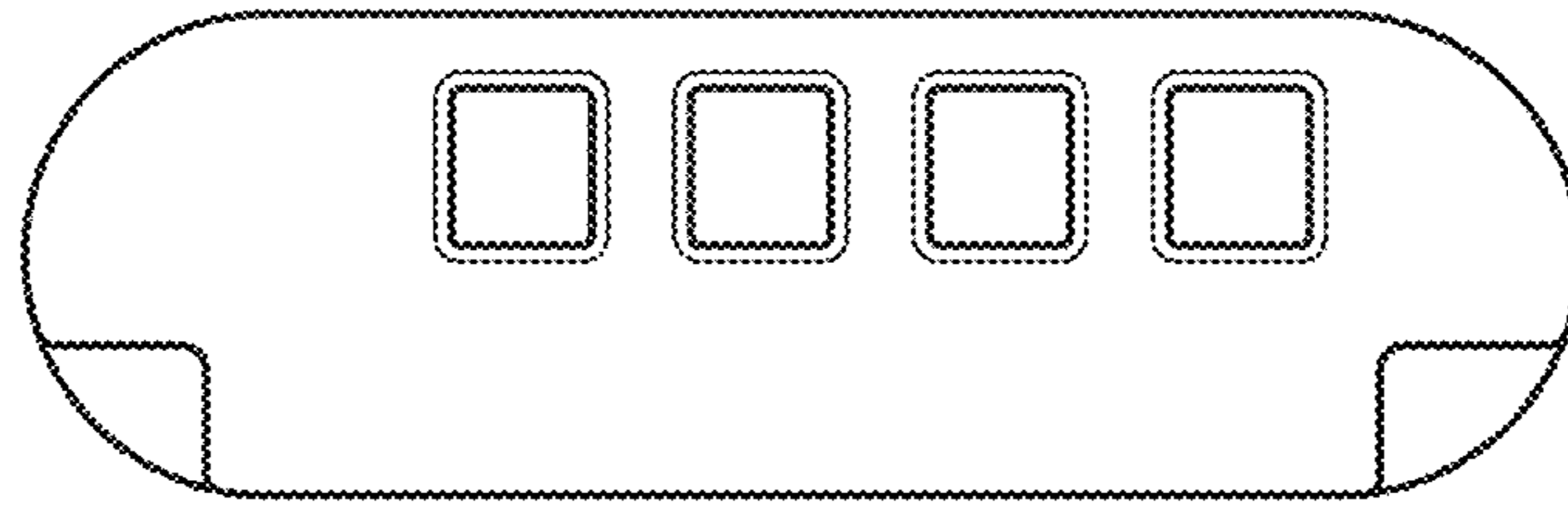


FIG.20



FIG.21



FIG.22



FIG.24

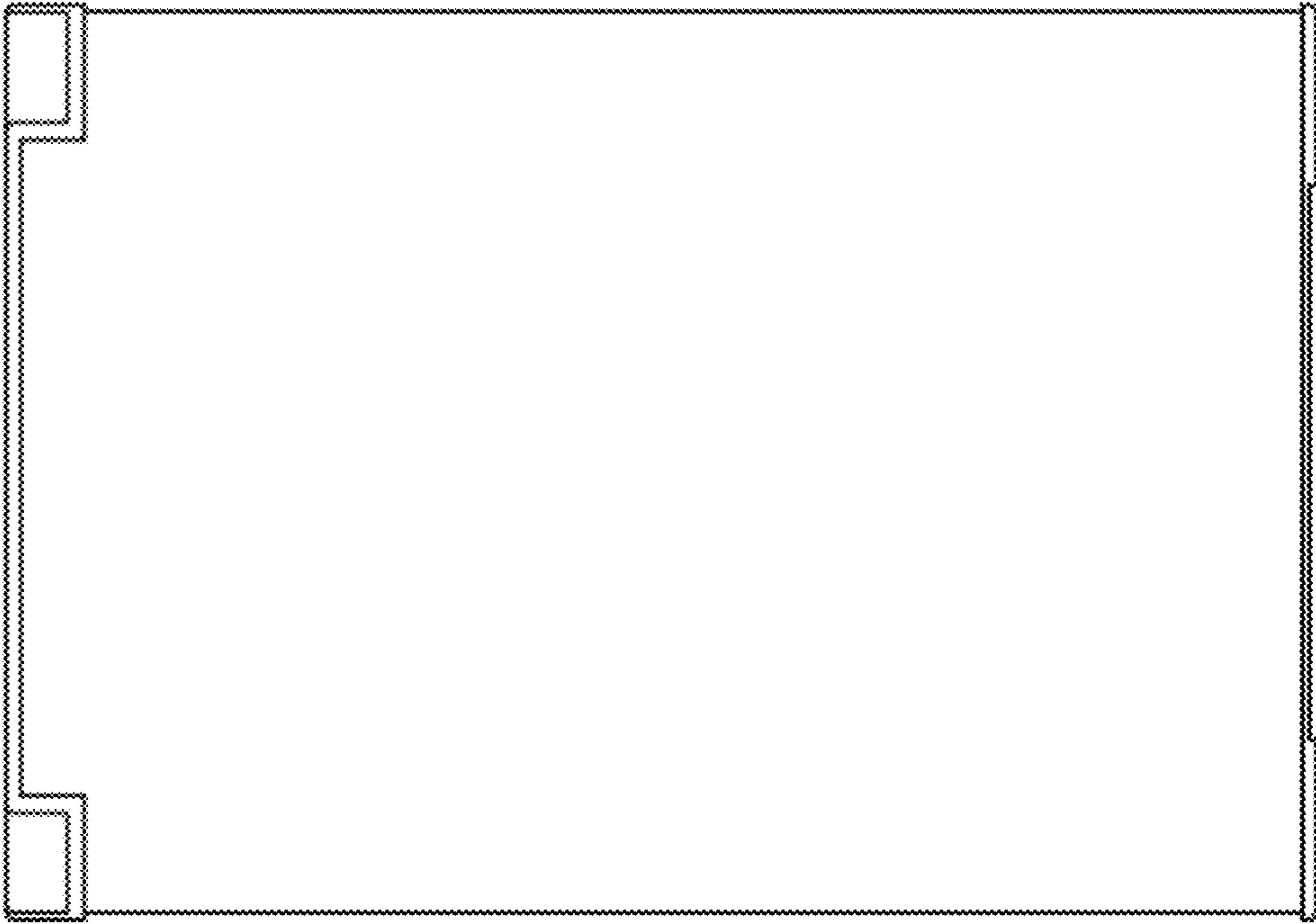


FIG.23

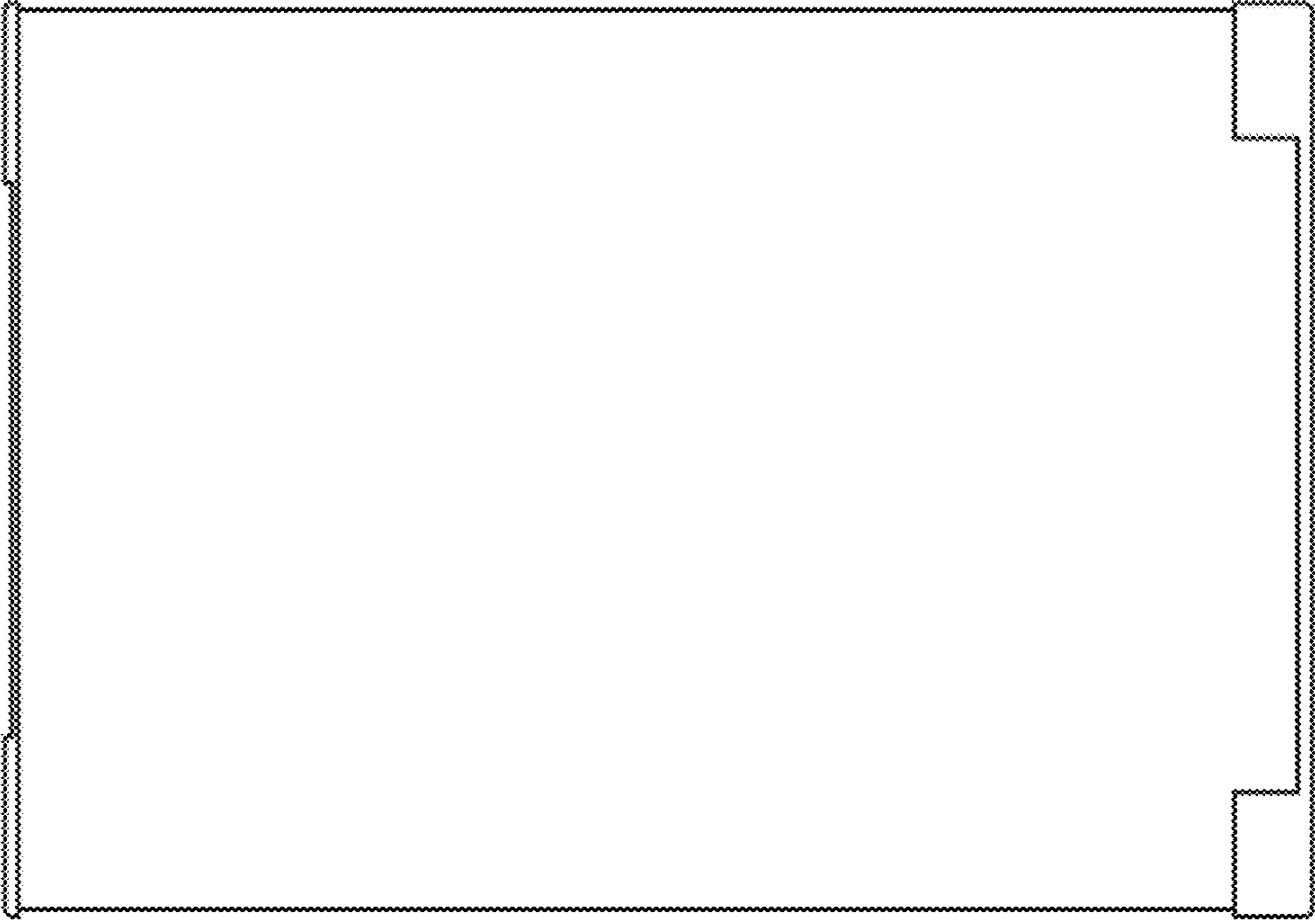


FIG.25

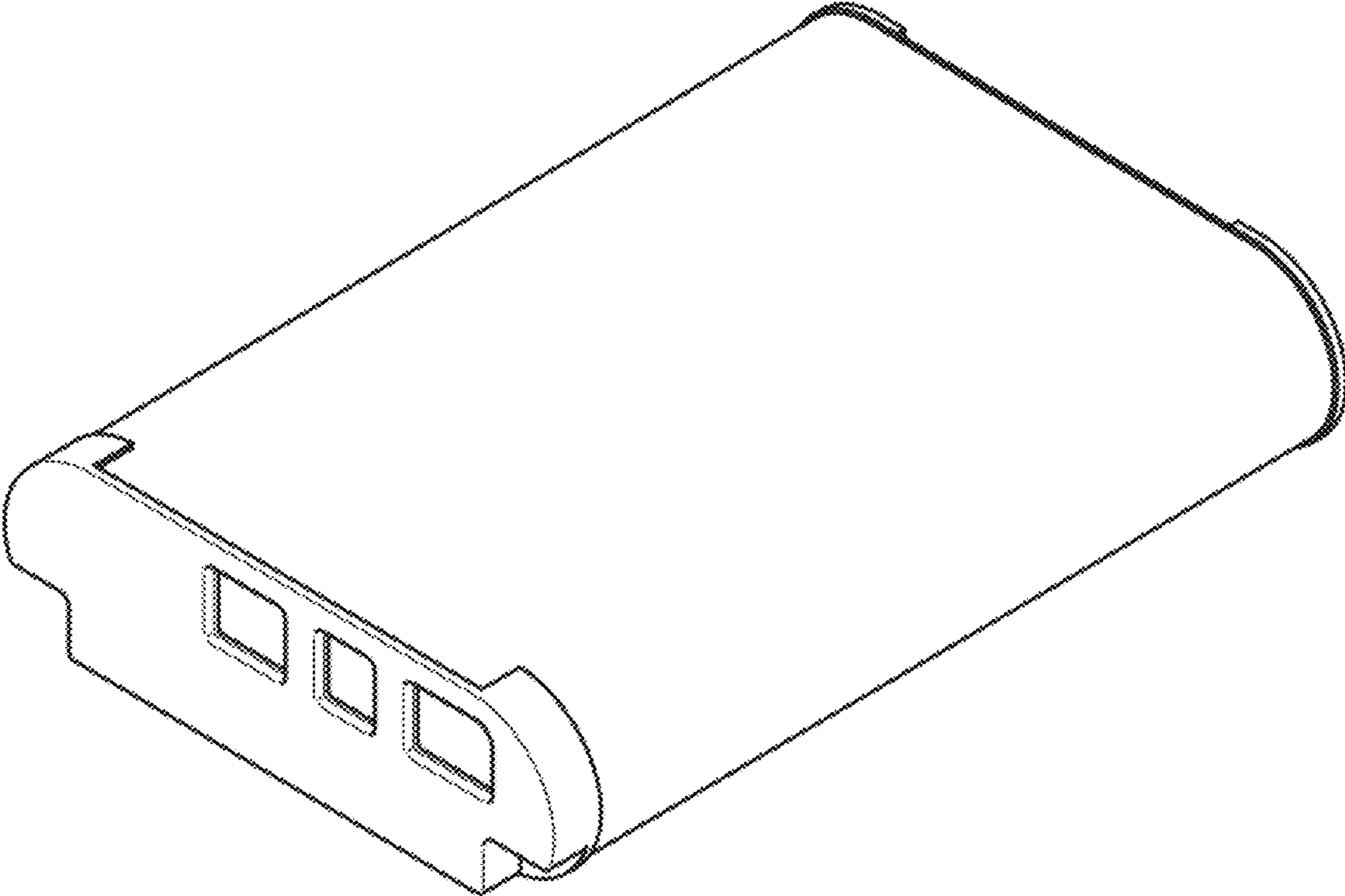


FIG.26

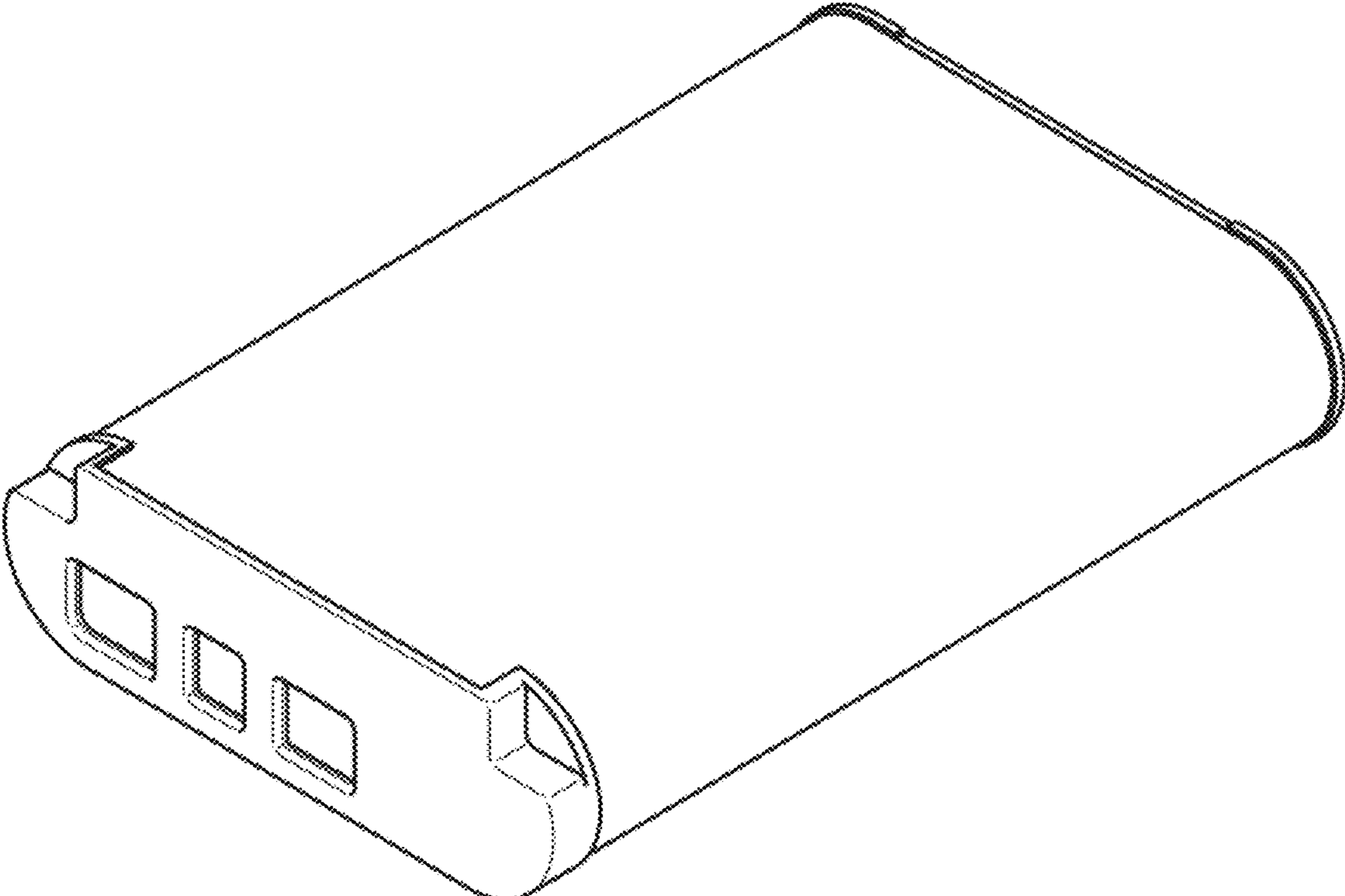


FIG.27

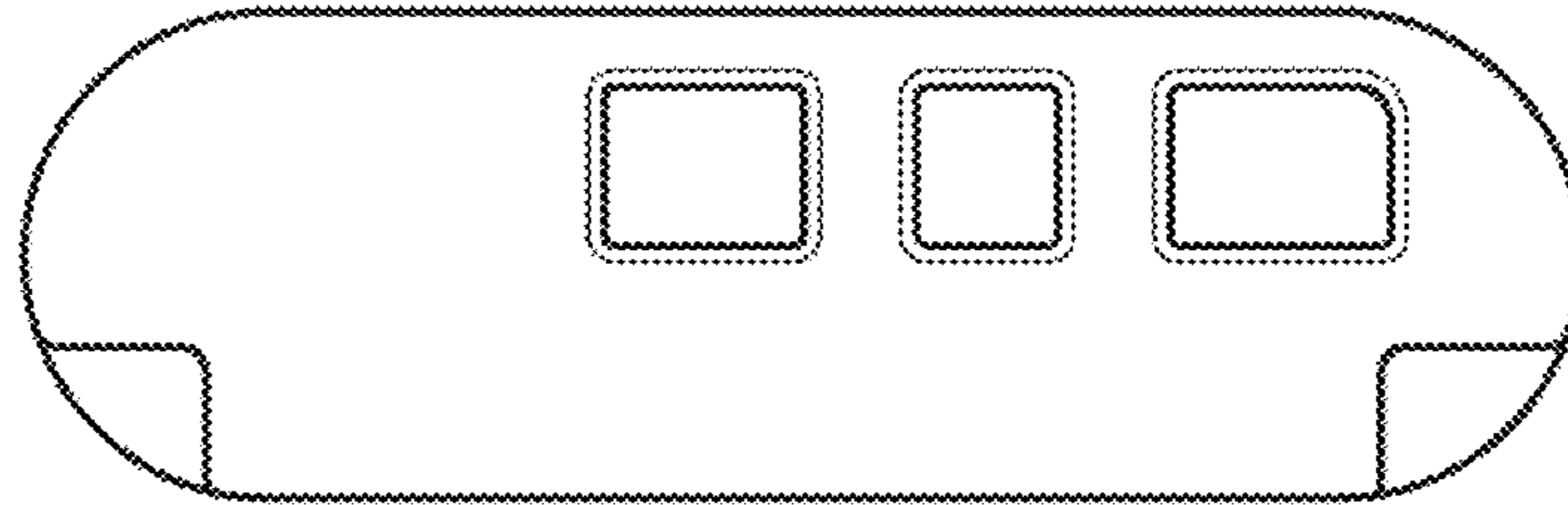


FIG.28



FIG.29



FIG.30



FIG.32

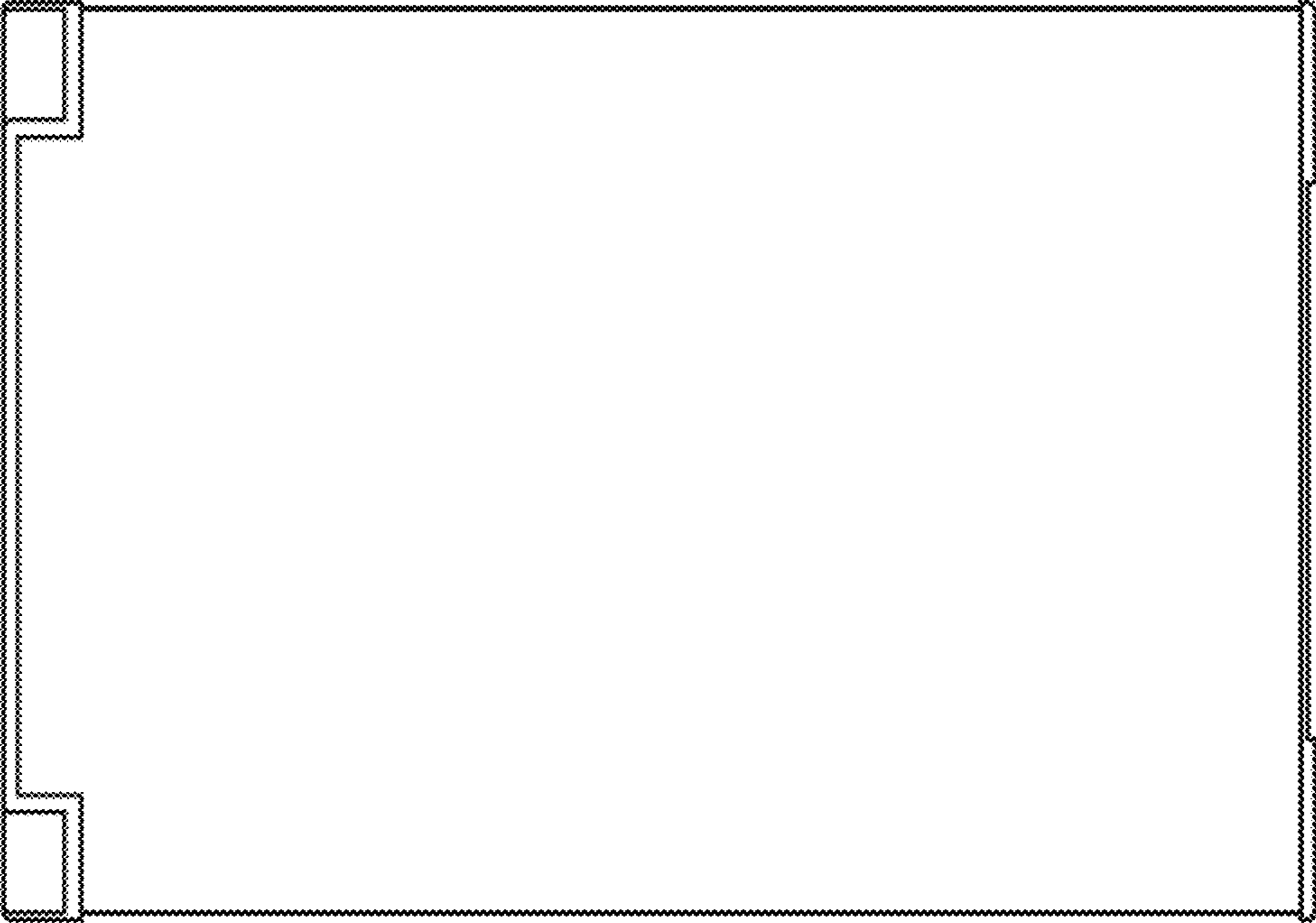


FIG.31

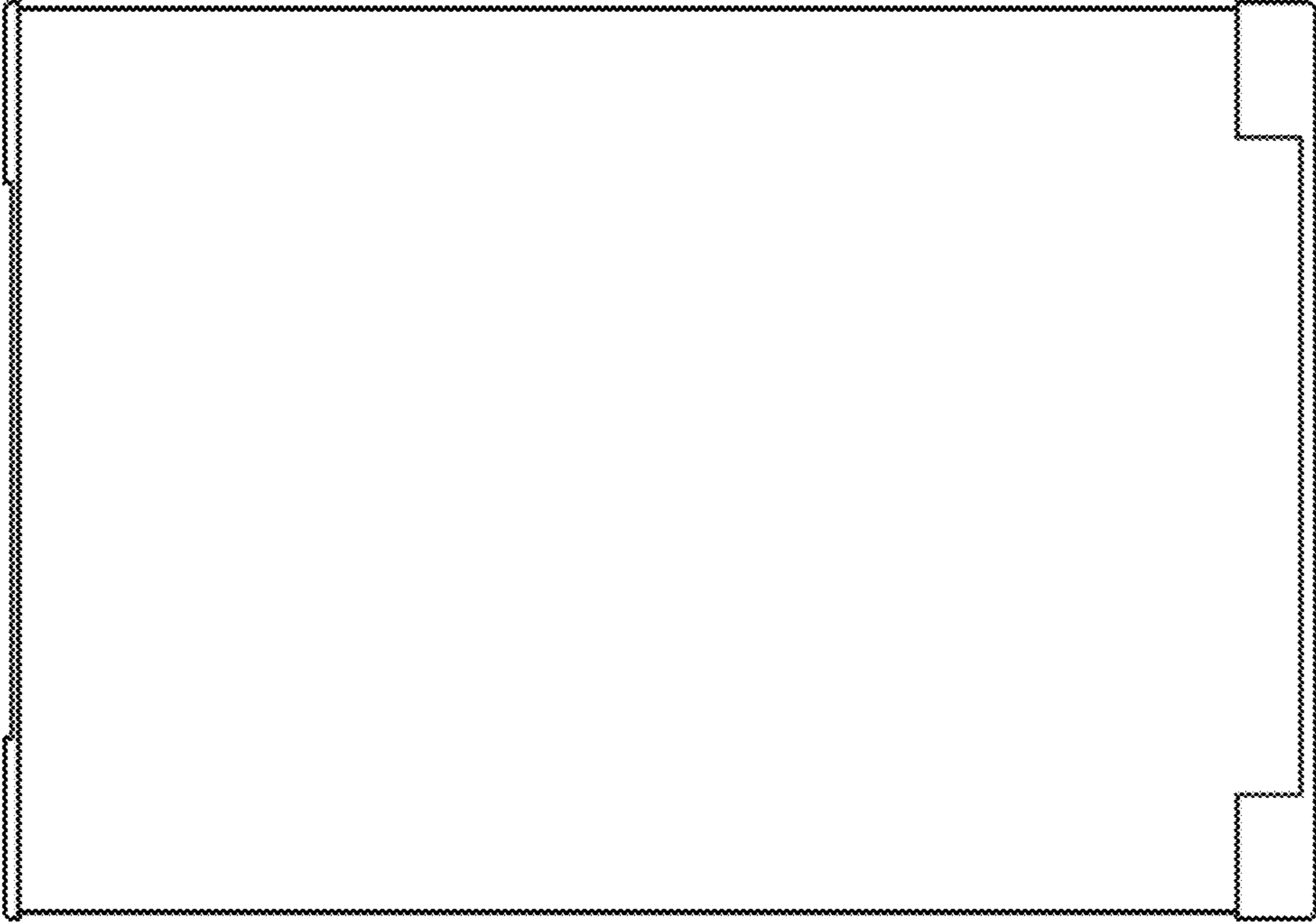


FIG.33

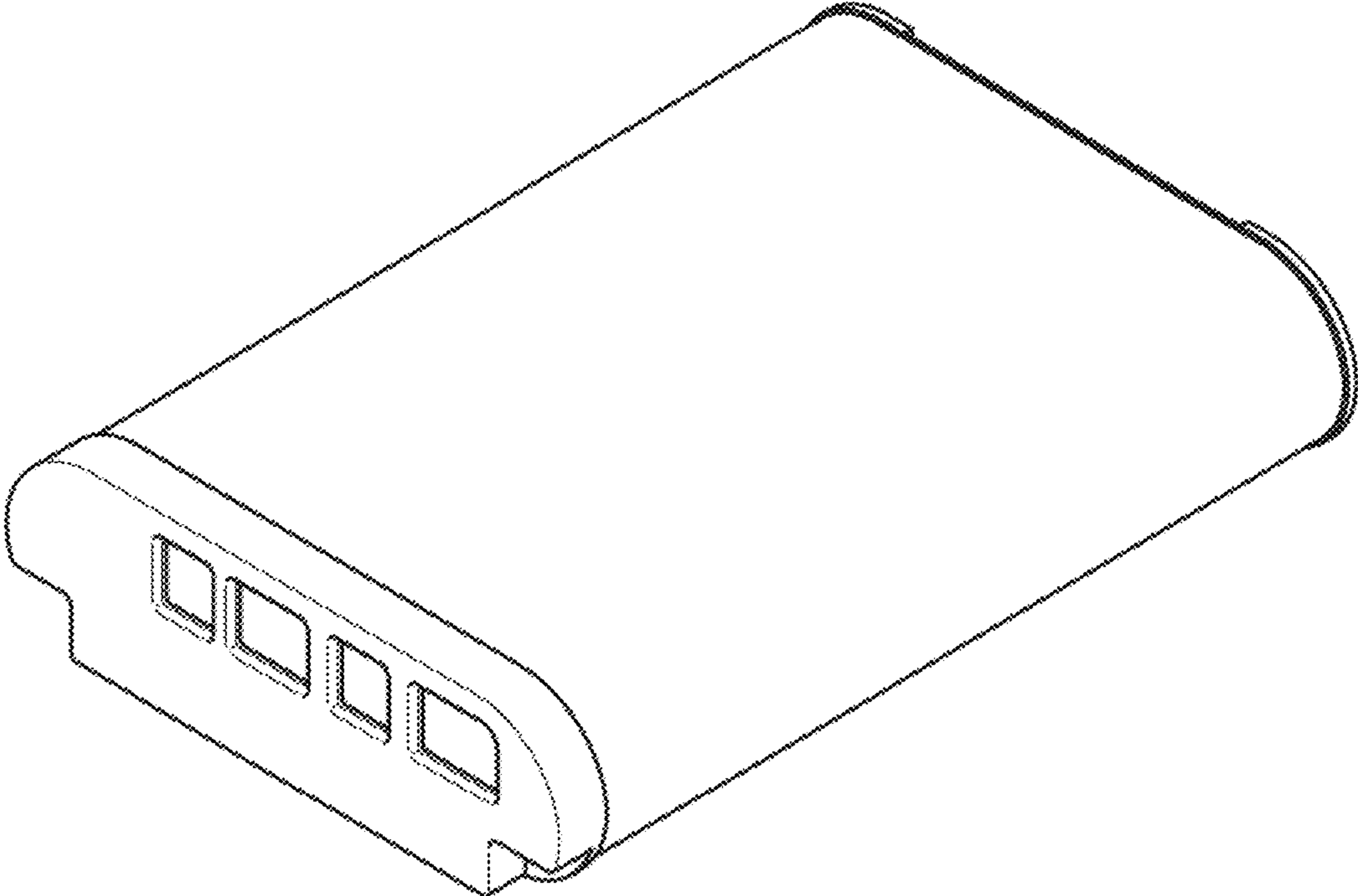


FIG.34

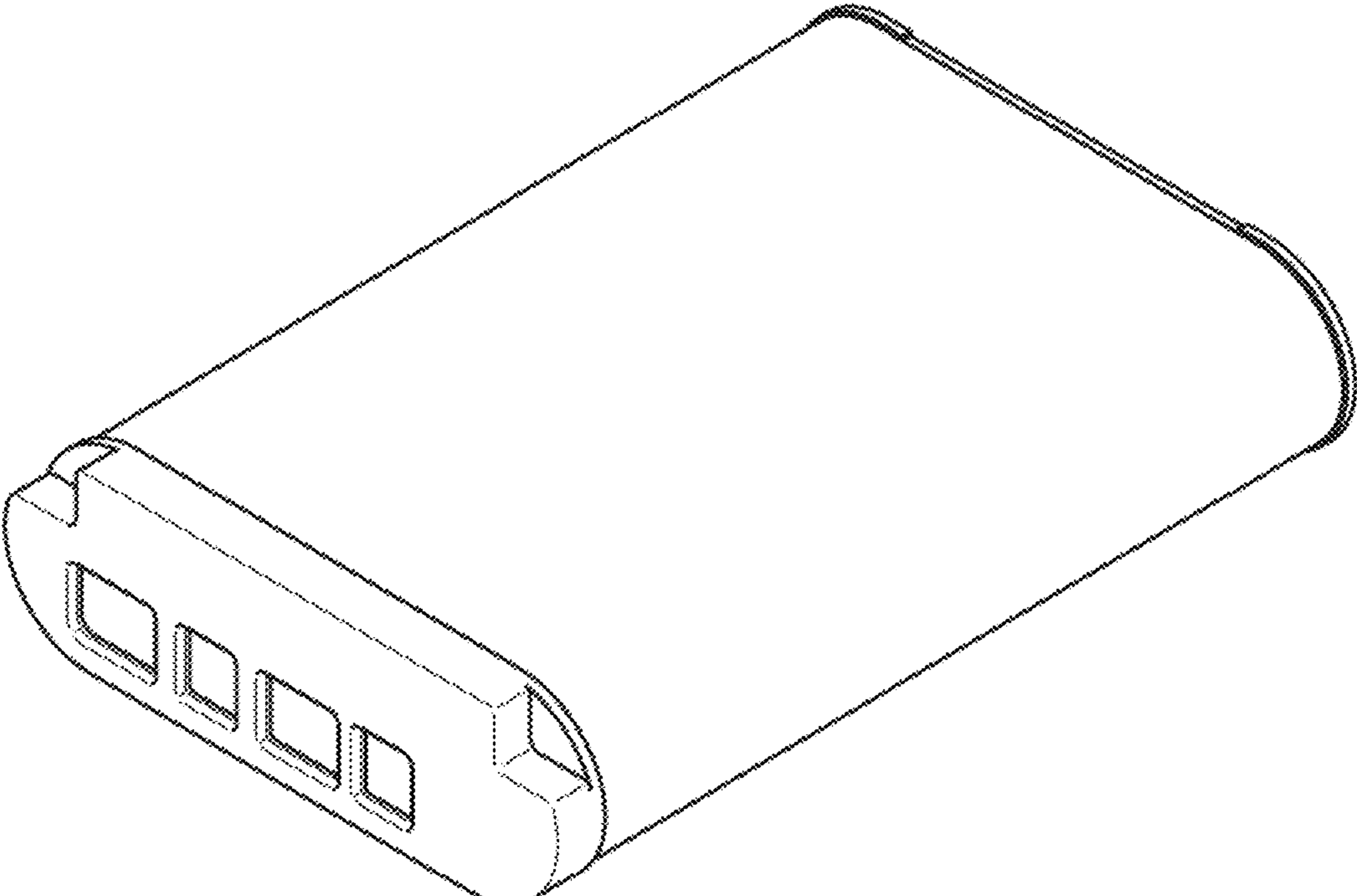


FIG.35

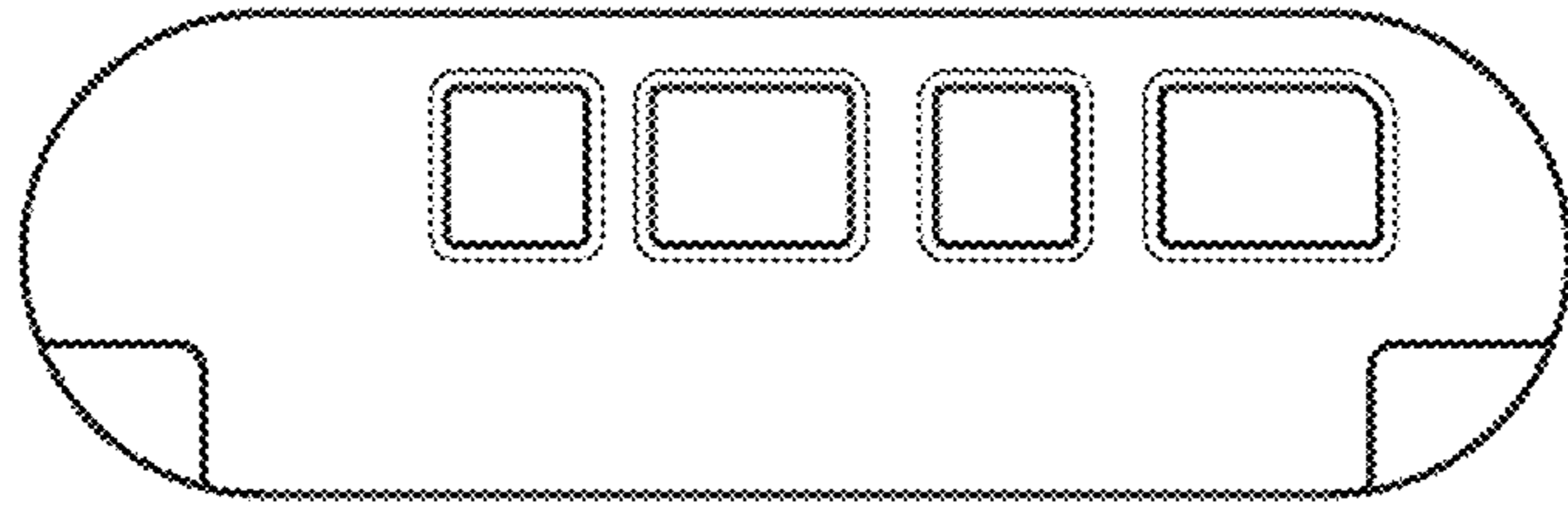


FIG.36



FIG.37



FIG.38



FIG. 40

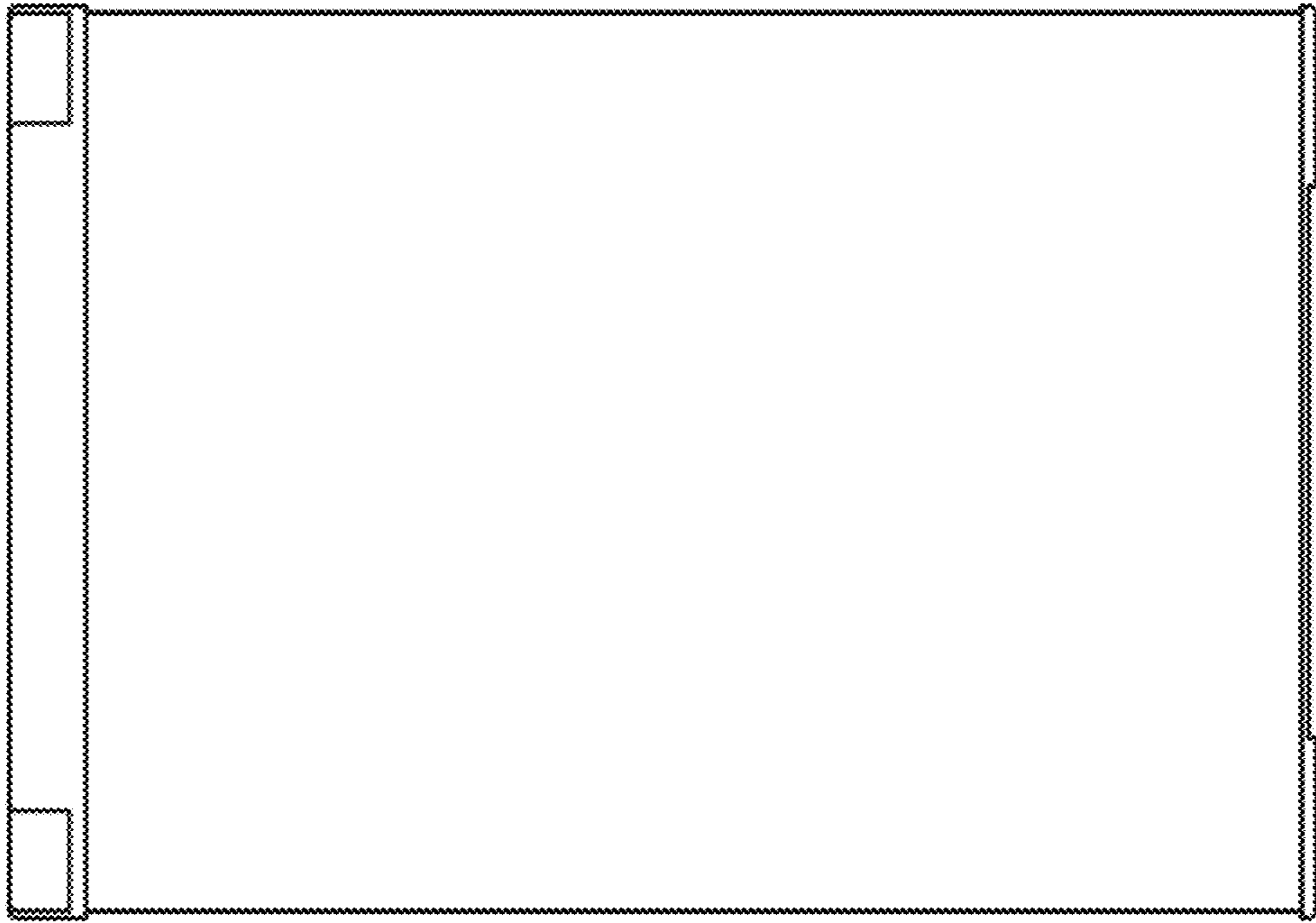


FIG. 39

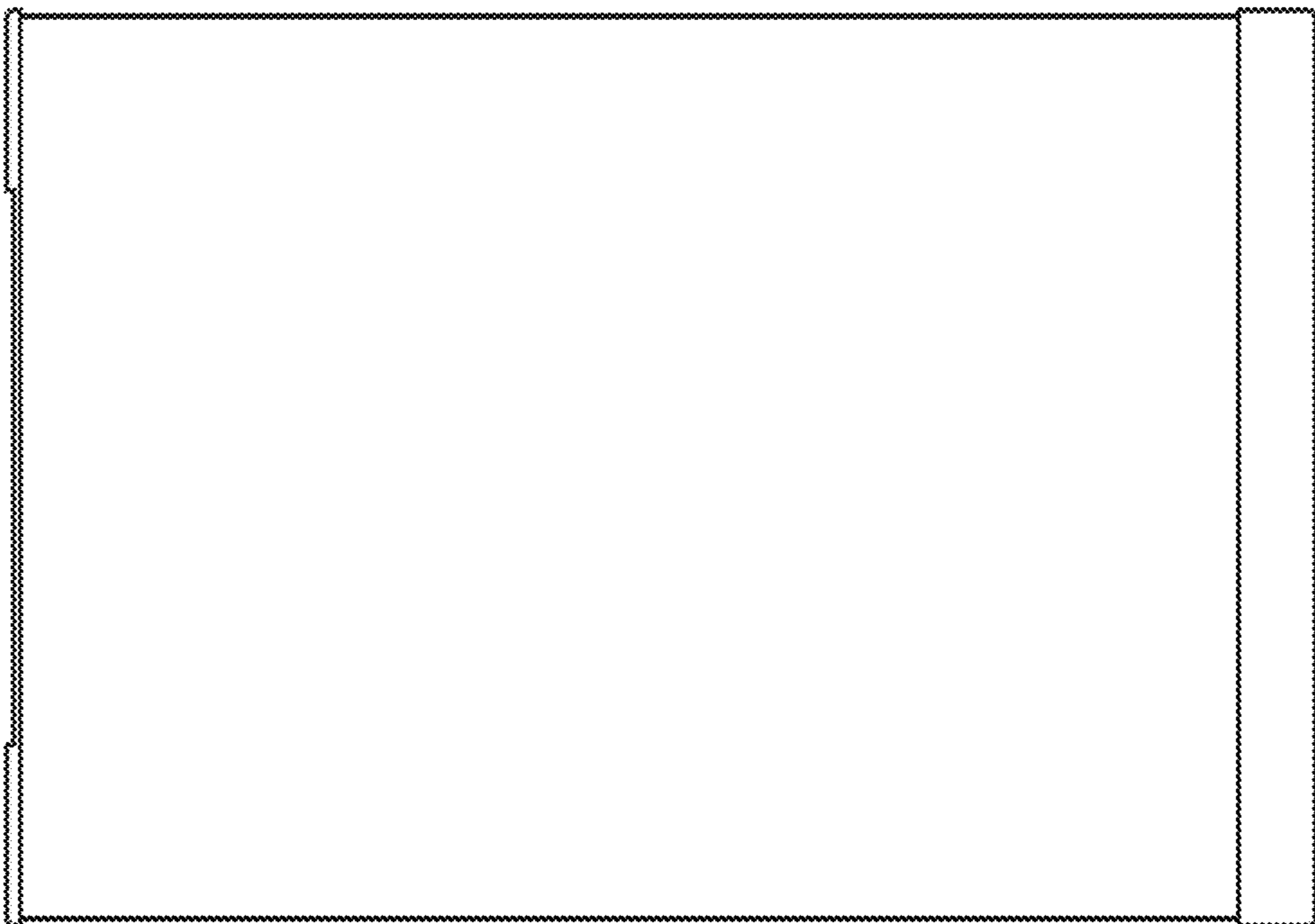


FIG.41

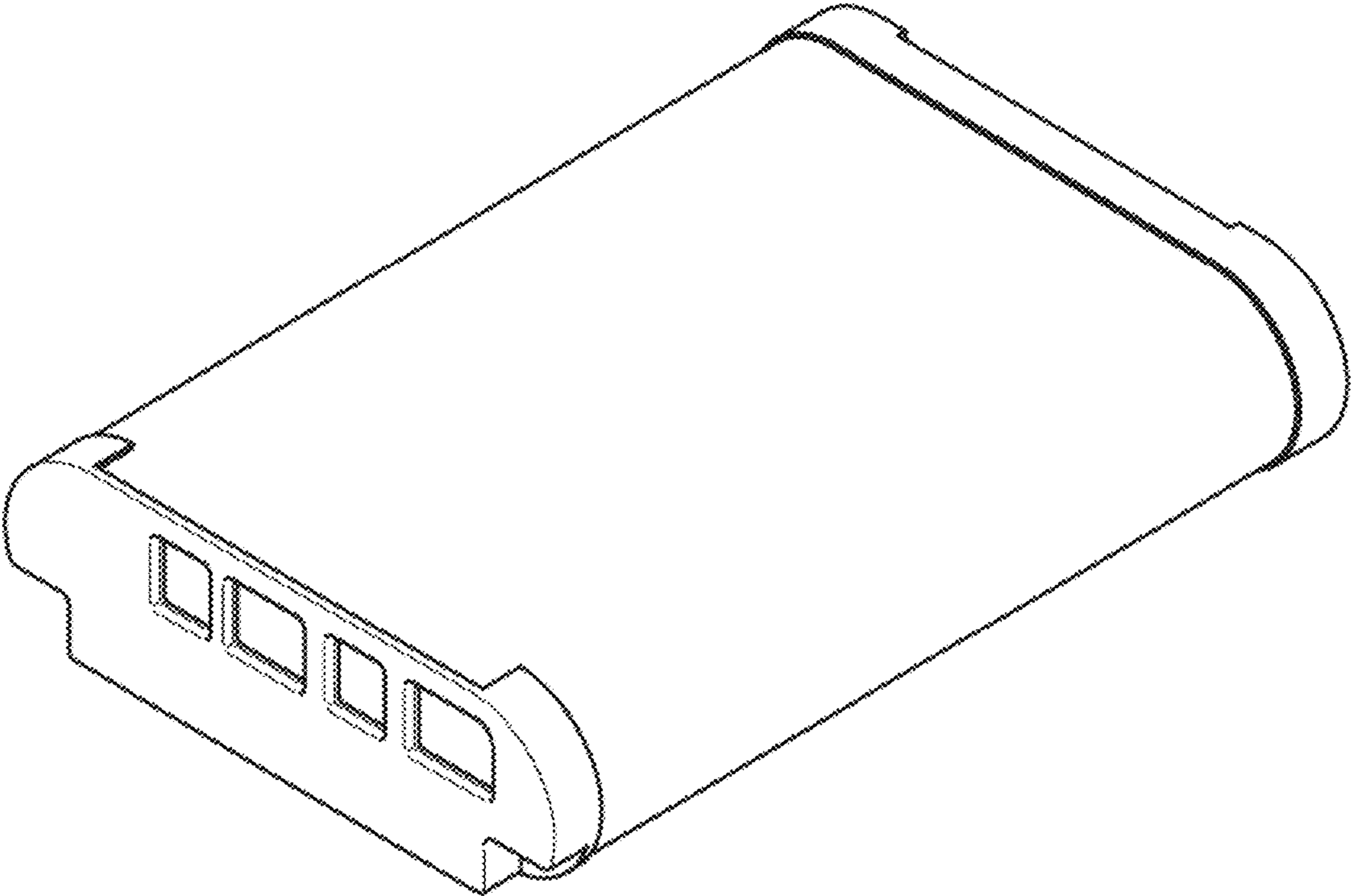


FIG.42

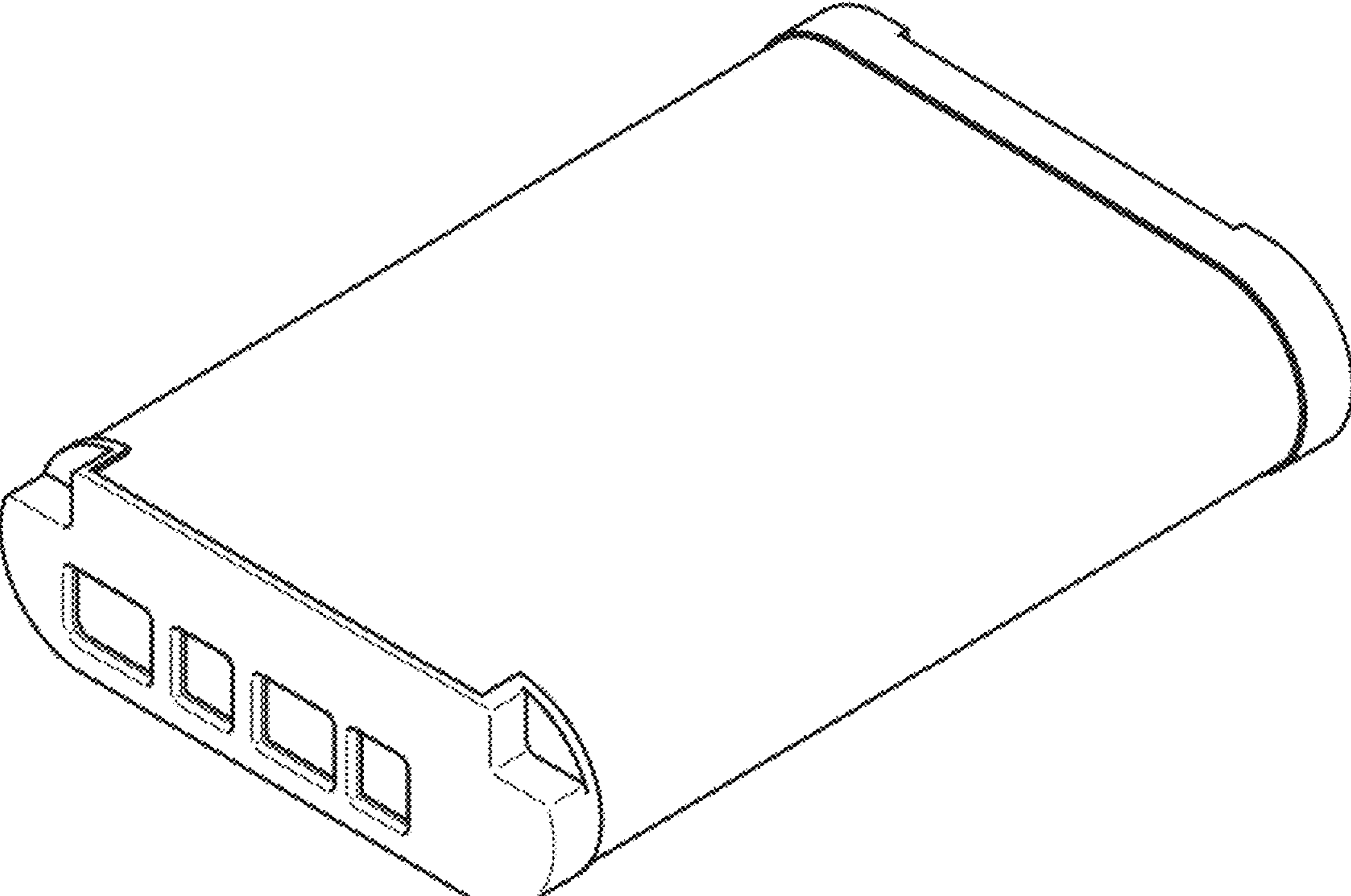


FIG.43

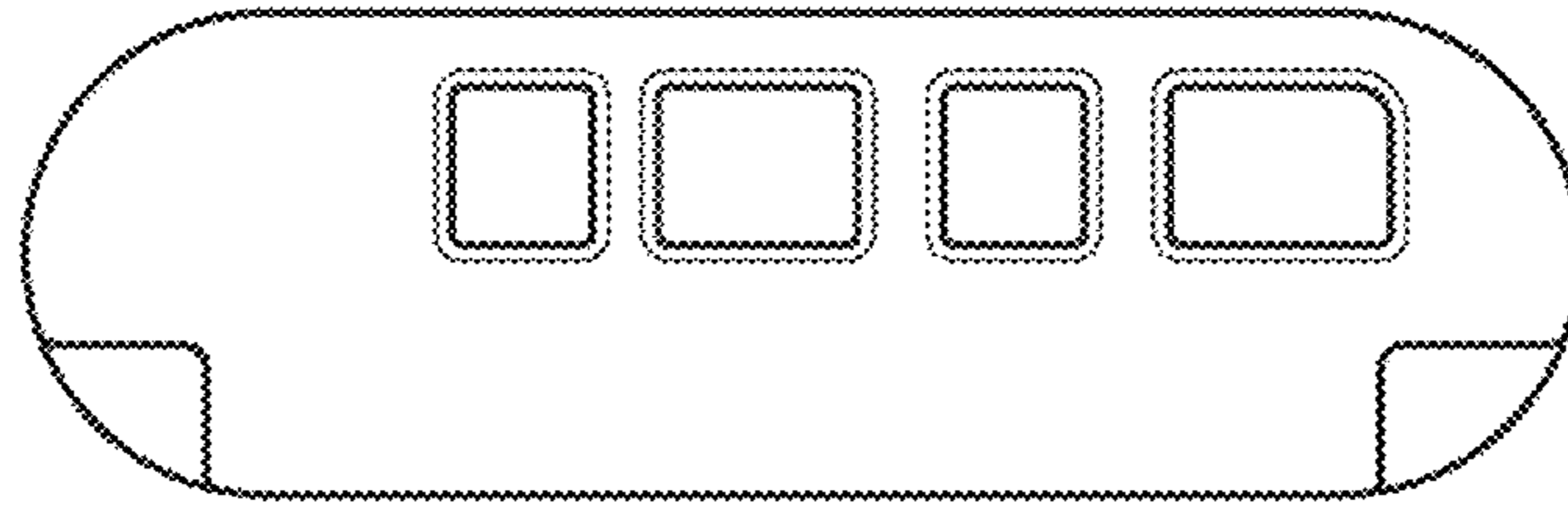


FIG.44



FIG.45



FIG.46



FIG.48

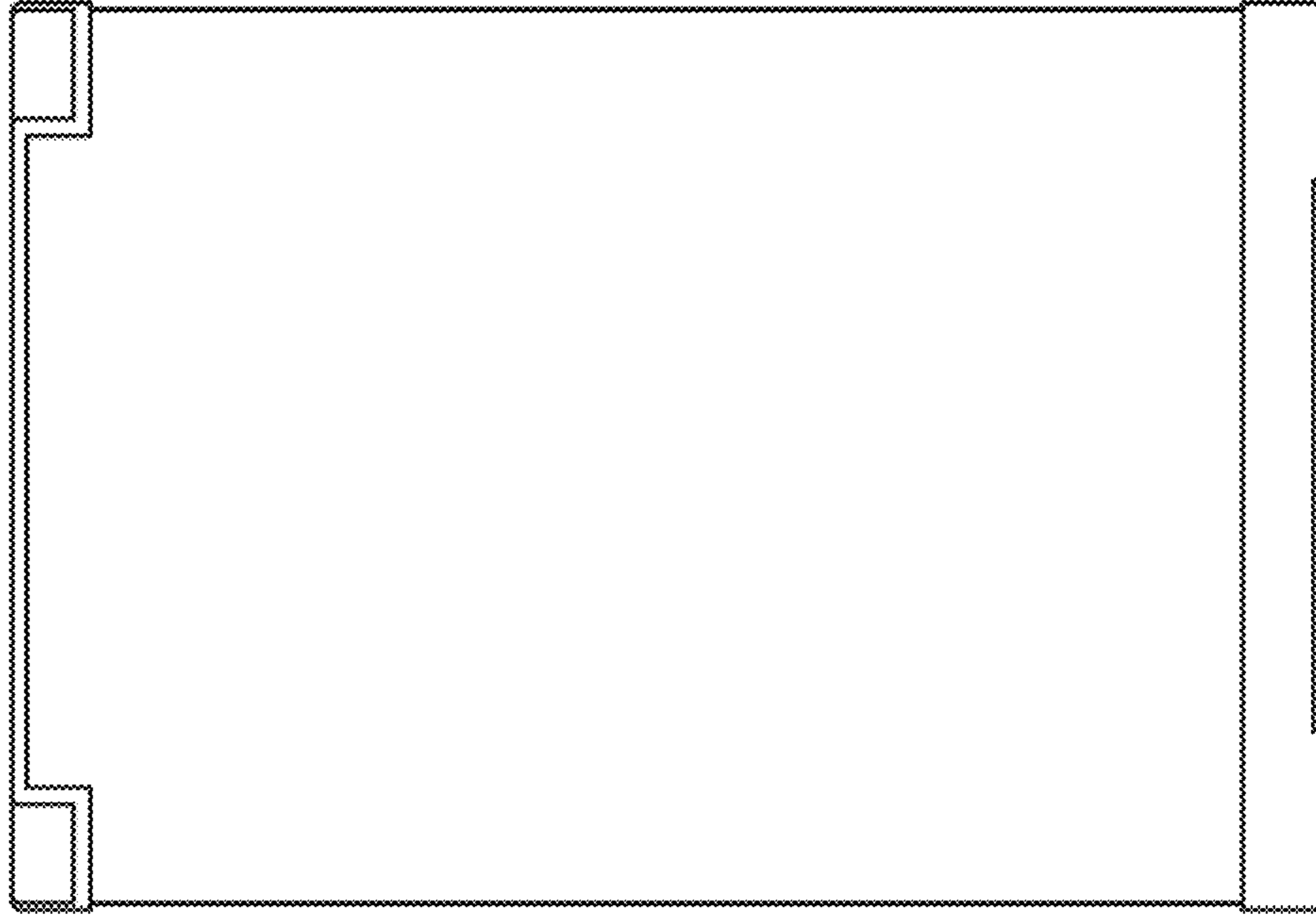


FIG.47

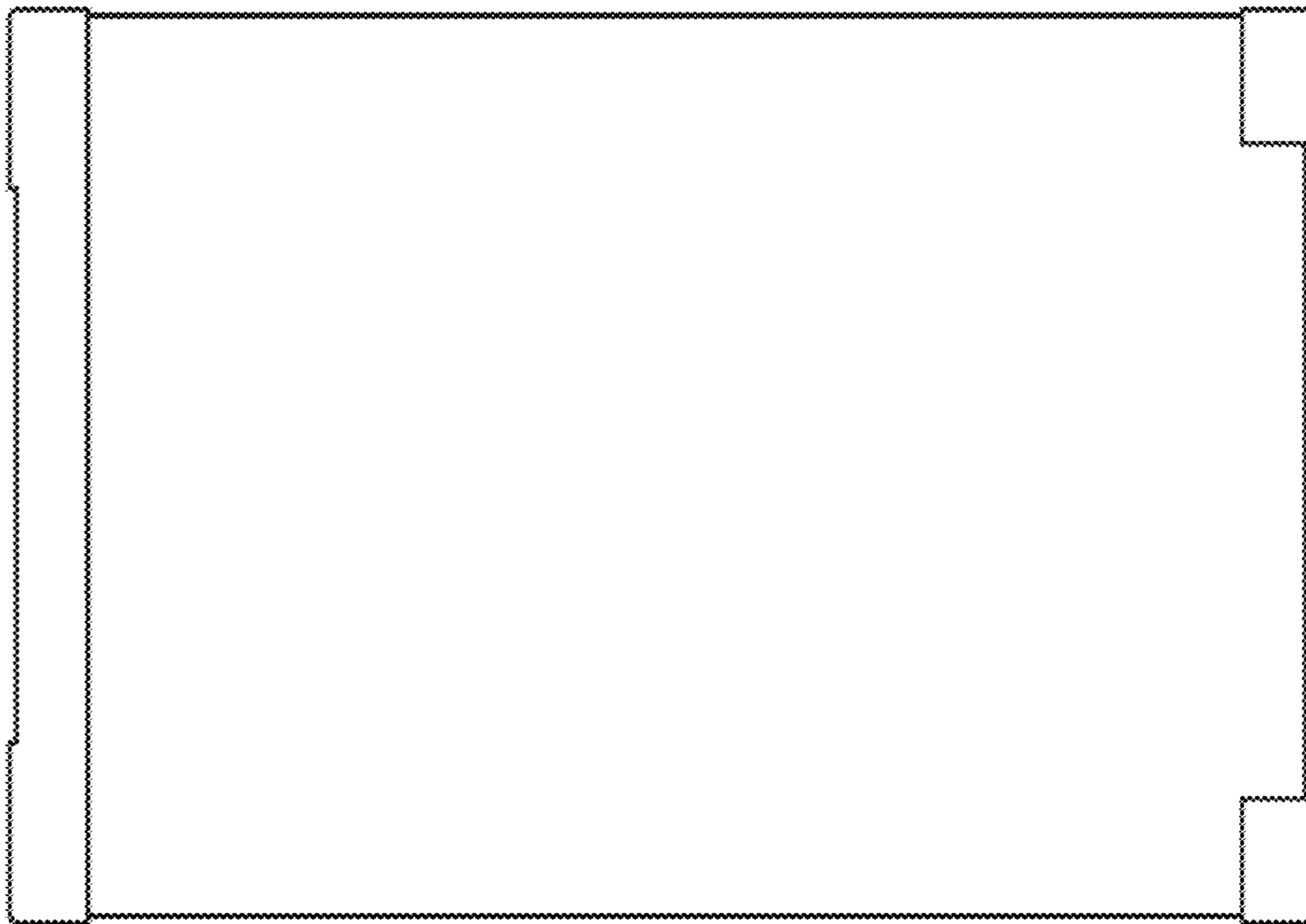


FIG.49

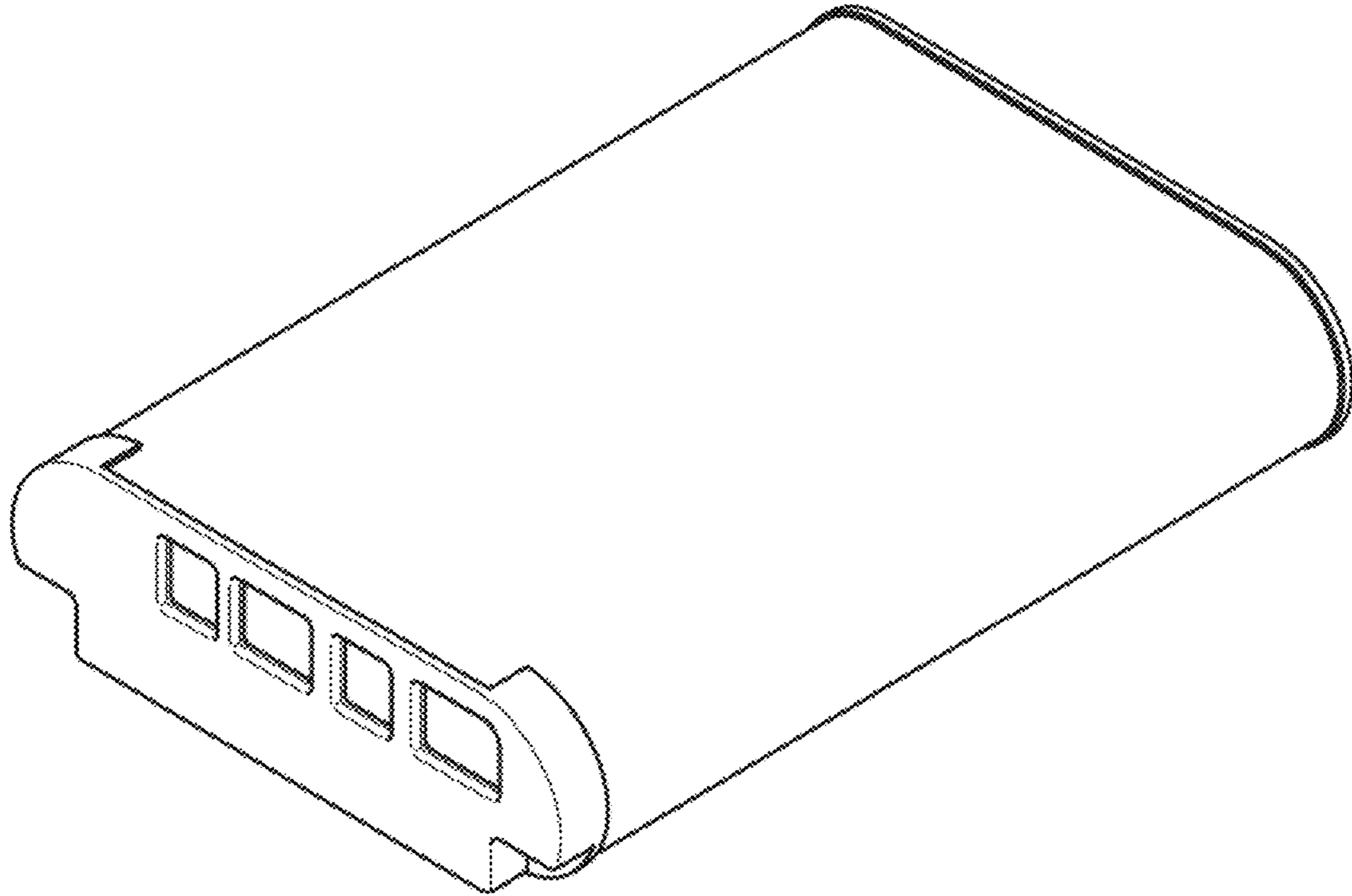


FIG.50

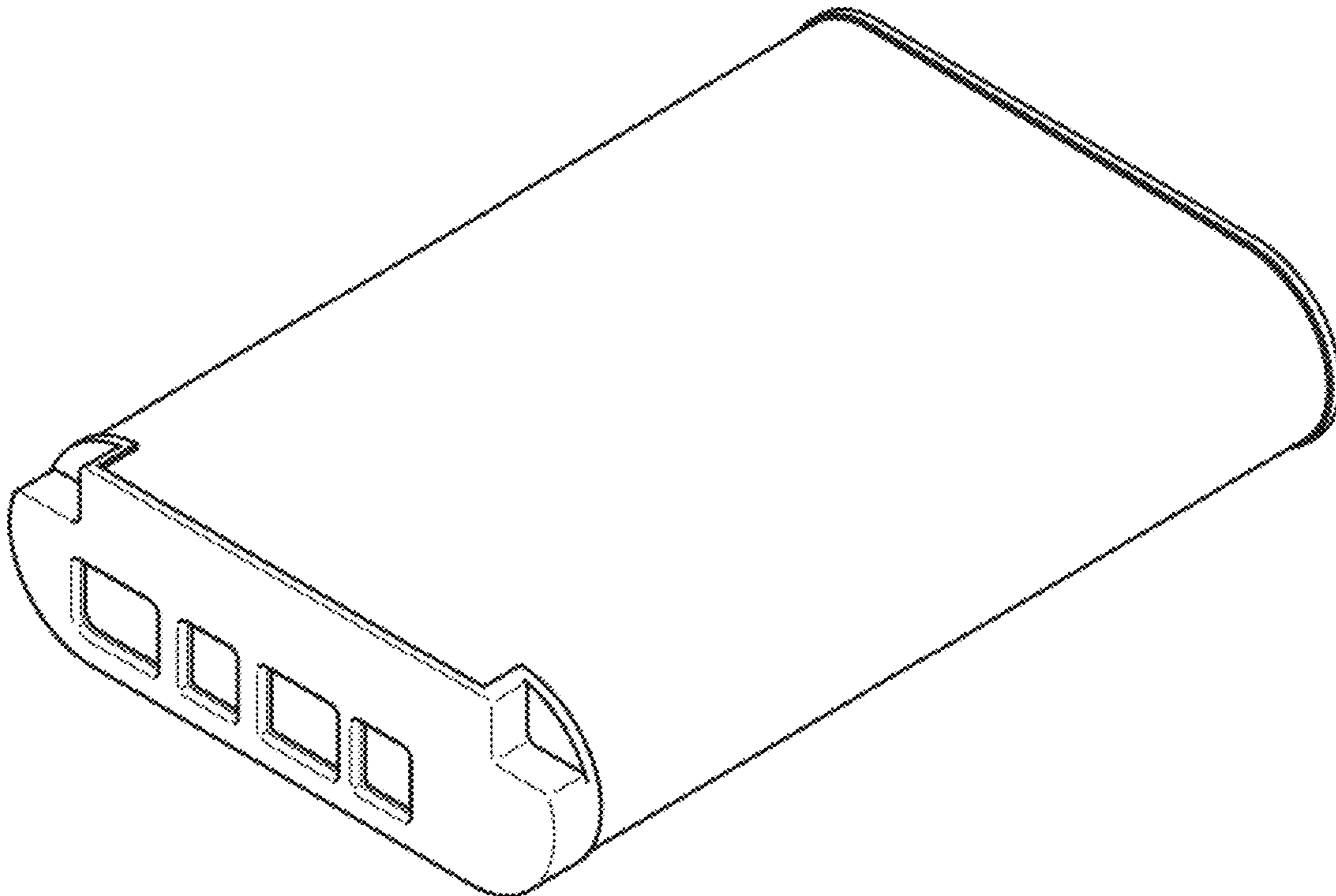


FIG.51

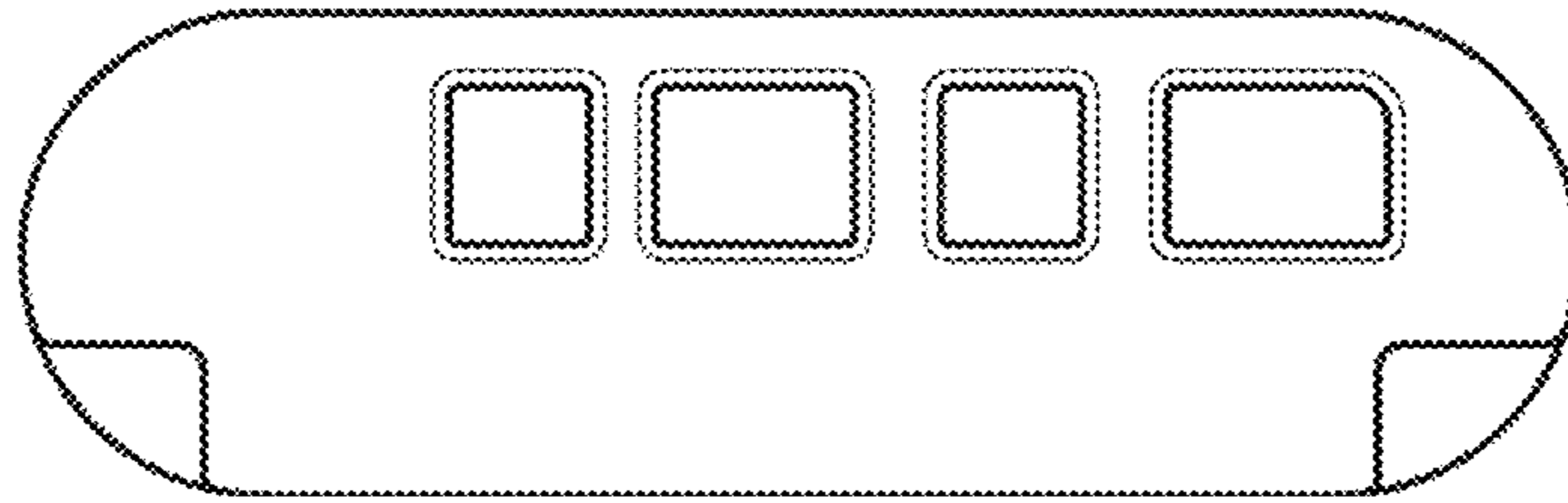


FIG.52



FIG.53



FIG.54



FIG.56

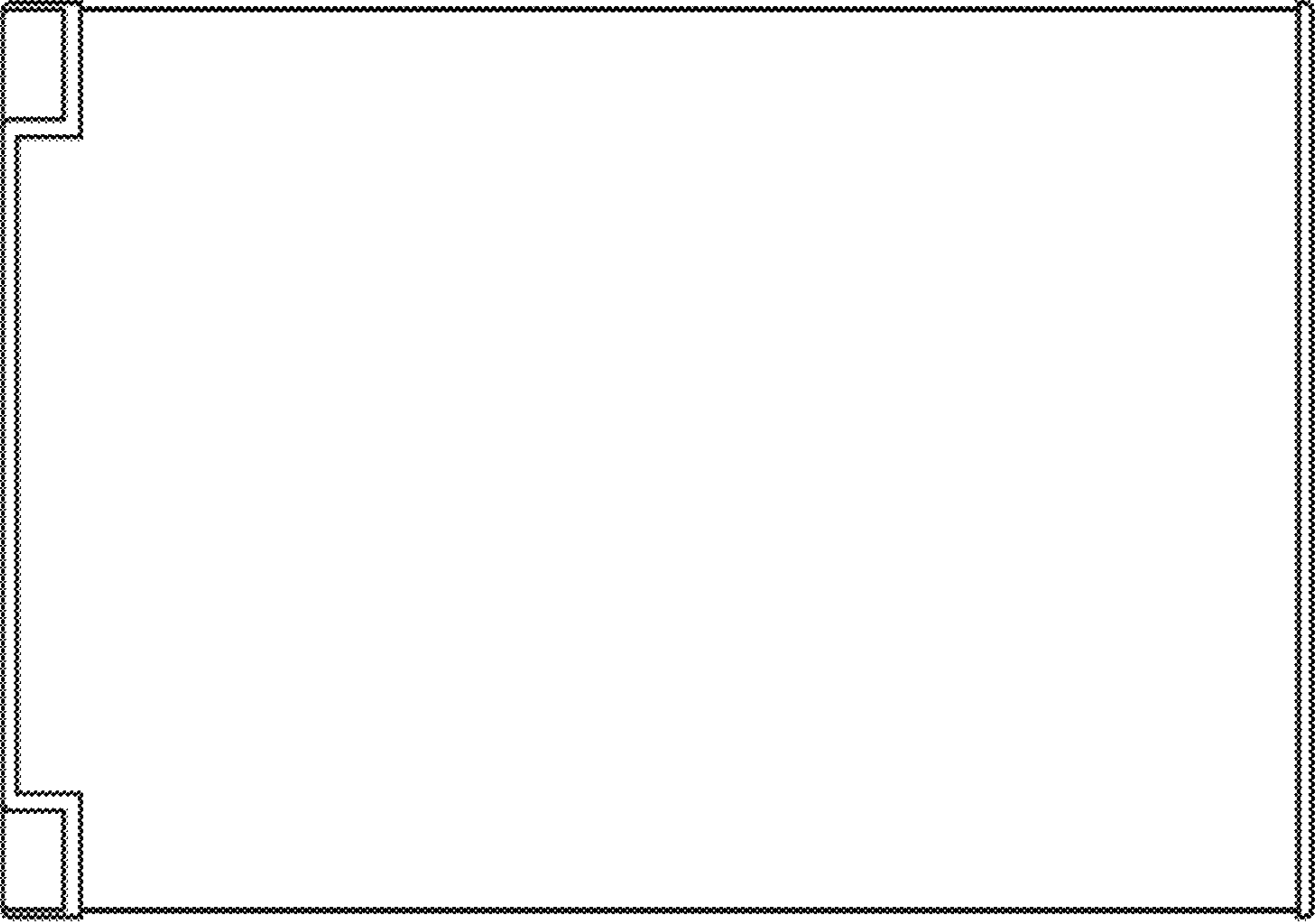


FIG.55

