



US00D788693S

(12) **United States Design Patent** (10) **Patent No.:** **US D788,693 S**
Westaway (45) **Date of Patent:** **** Jun. 6, 2017**

(54) **TIRE TREAD**
(71) Applicant: **Bridgestone Bandag, LLC**, Muscatine, IA (US)
(72) Inventor: **Terry A. Westaway**, Conesville, IA (US)
(73) Assignee: **Bridgestone Bandag, LLC**, Muscatine, IA (US)

D604,229 S 11/2009 Le et al.
D609,170 S * 2/2010 Feider D12/588
D609,175 S 2/2010 Feider et al.
D610,077 S 2/2010 Tobino
D635,915 S * 4/2011 Hamada D12/588
D637,143 S * 5/2011 Ohara D12/588
D642,975 S 8/2011 Givens et al.
D644,598 S 9/2011 Yokomakura
D686,973 S * 7/2013 Otani D12/588
D741,790 S 10/2015 Parr et al.
D742,814 S 11/2015 Fleckner et al.

(Continued)

(**) Term: **15 Years**

OTHER PUBLICATIONS

(21) Appl. No.: **29/563,226**

Bandag FCR Trailer Tire, undated.

(22) Filed: **May 3, 2016**

Primary Examiner — Robert M Spear

(51) **LOC (10) Cl.** **12-15**

(52) **U.S. Cl.**
USPC **D12/600**

(58) **Field of Classification Search**
USPC D12/579, 588, 590, 594, 595, 600, 601, D12/604
CPC B60C 11/0306; B60C 11/0311; B60C 2011/0337
See application file for complete search history.

(57) **CLAIM**

The ornamental design for a tire tread, as shown and described.

DESCRIPTION

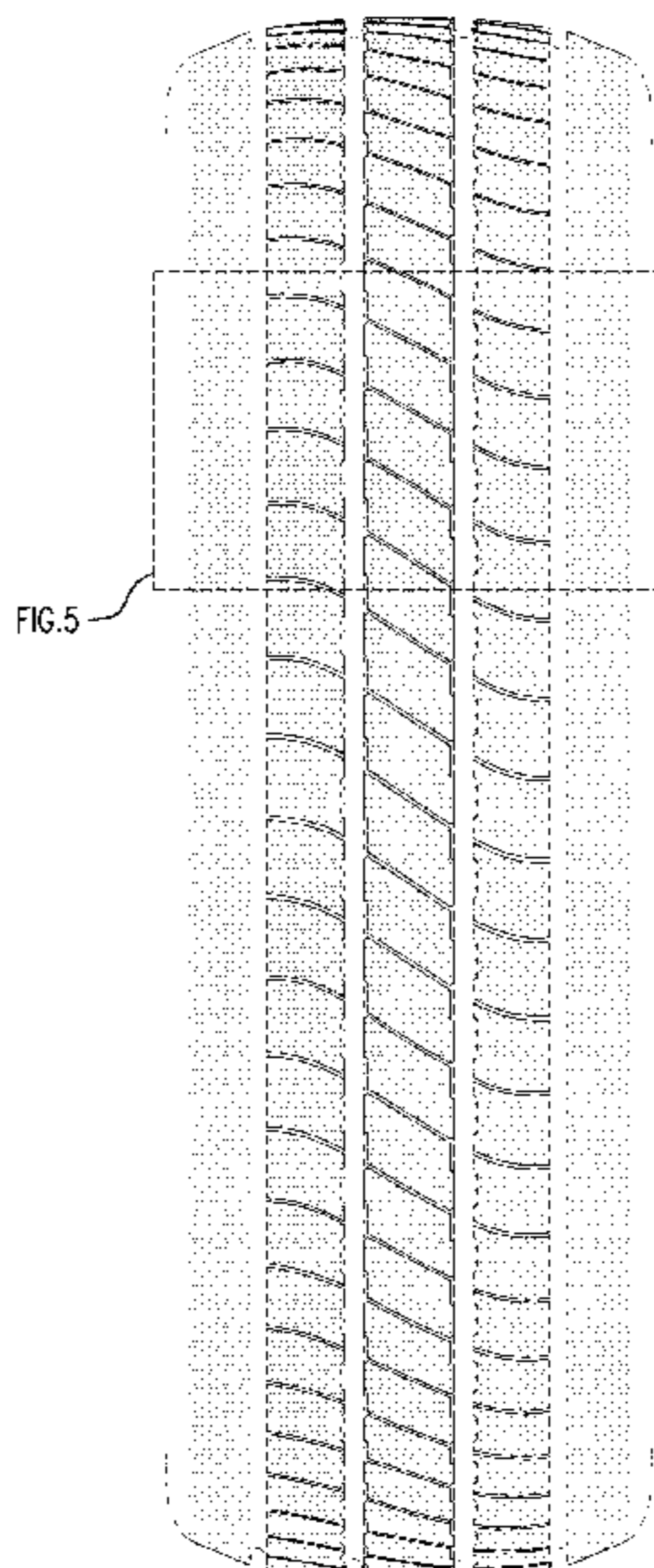
FIG. 1 is a side perspective view of a tire tread showing my new design, it being understood that the tread pattern is repeated throughout the circumference of the tire tread, the opposite side being the same as that shown; FIG. 2 is a front elevational view thereof, the opposite side being identical thereto; FIG. 3 is a side elevational view of the left side thereof; FIG. 4 is a side elevational view of the right side thereof; and, FIG. 5 is an enlarged fragmentary front elevational view thereof. In the drawings, the shaded surfaces comprise the claim. The broken lines defining the sidewall, inner bead, tread lug side walls, and the peripheral boundary between the claimed tire tread and the sidewall depict environmental subject matter that forms no part of the claimed design.

(56) **References Cited**

U.S. PATENT DOCUMENTS

D294,812 S * 3/1988 Takeuchi D12/601
D451,860 S 12/2001 Schuster et al.
D456,769 S 5/2002 Dixon et al.
D458,215 S 6/2002 Le
D460,407 S * 7/2002 Moore D12/601
D461,162 S * 8/2002 Young D12/595
D481,005 S 10/2003 Umstot et al.
D481,353 S 10/2003 Oliver et al.
D498,205 S 11/2004 Young et al.
D502,444 S 3/2005 Wage
D554,053 S * 10/2007 Feider D12/588
D555,081 S * 11/2007 Feider D12/588
D583,308 S 12/2008 Ludwig et al.
D601,085 S 9/2009 Janesh et al.

1 Claim, 5 Drawing Sheets



(56)

References Cited

U.S. PATENT DOCUMENTS

D746,226 S 12/2015 Tian
D748,046 S * 1/2016 Kitajima D12/588
D770,367 S * 11/2016 Schimmoeller, Jr. D12/588

* cited by examiner

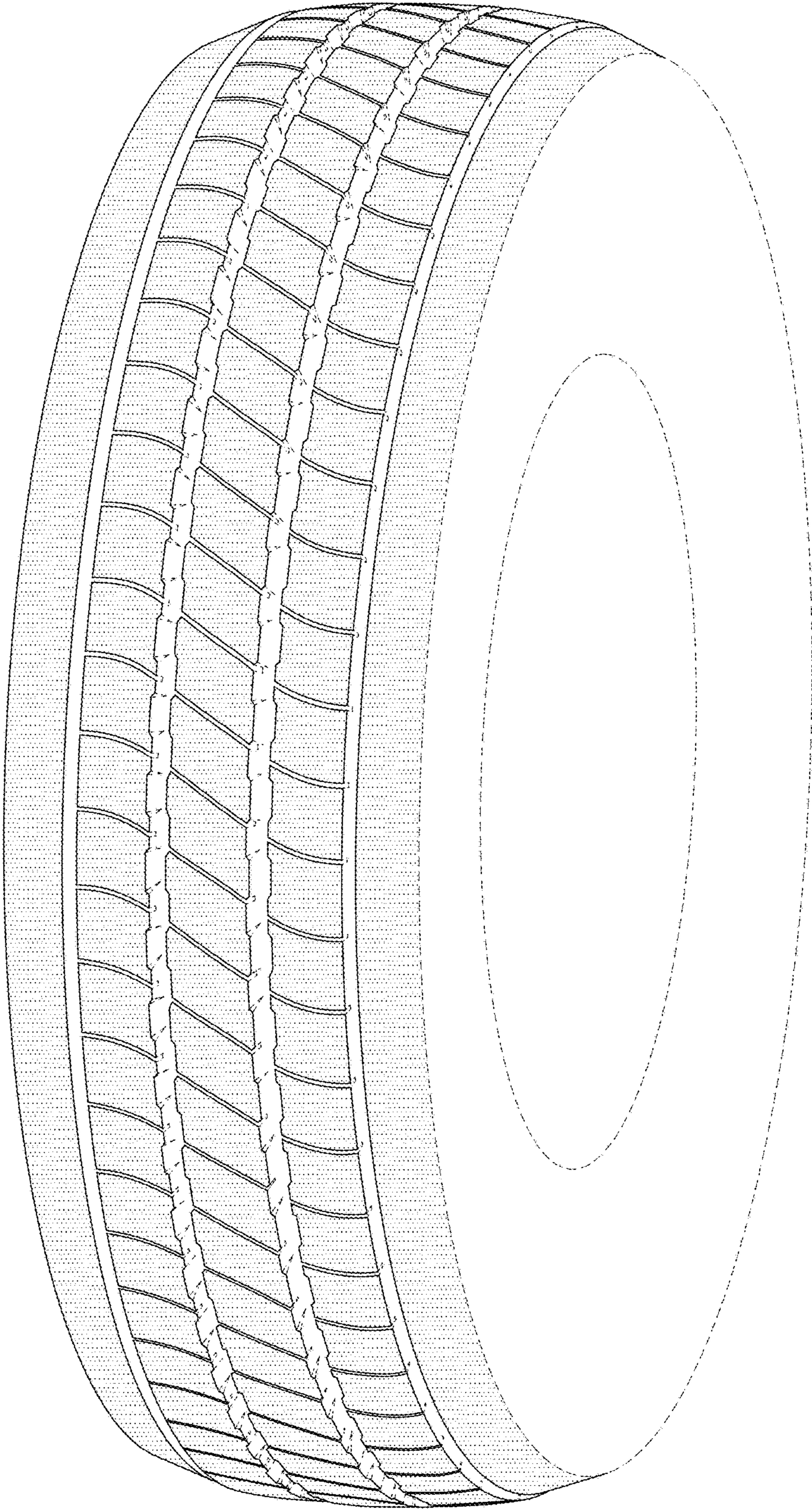


FIG. 1

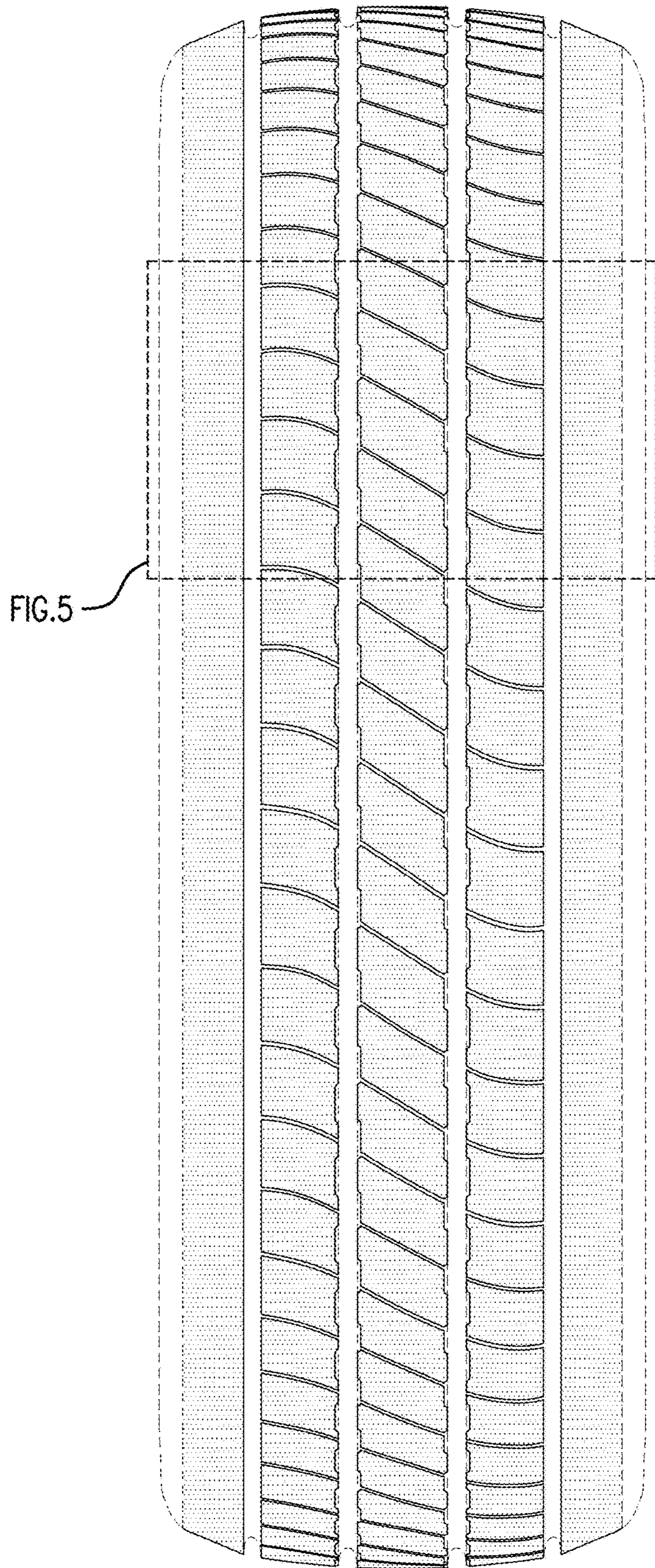


FIG. 2

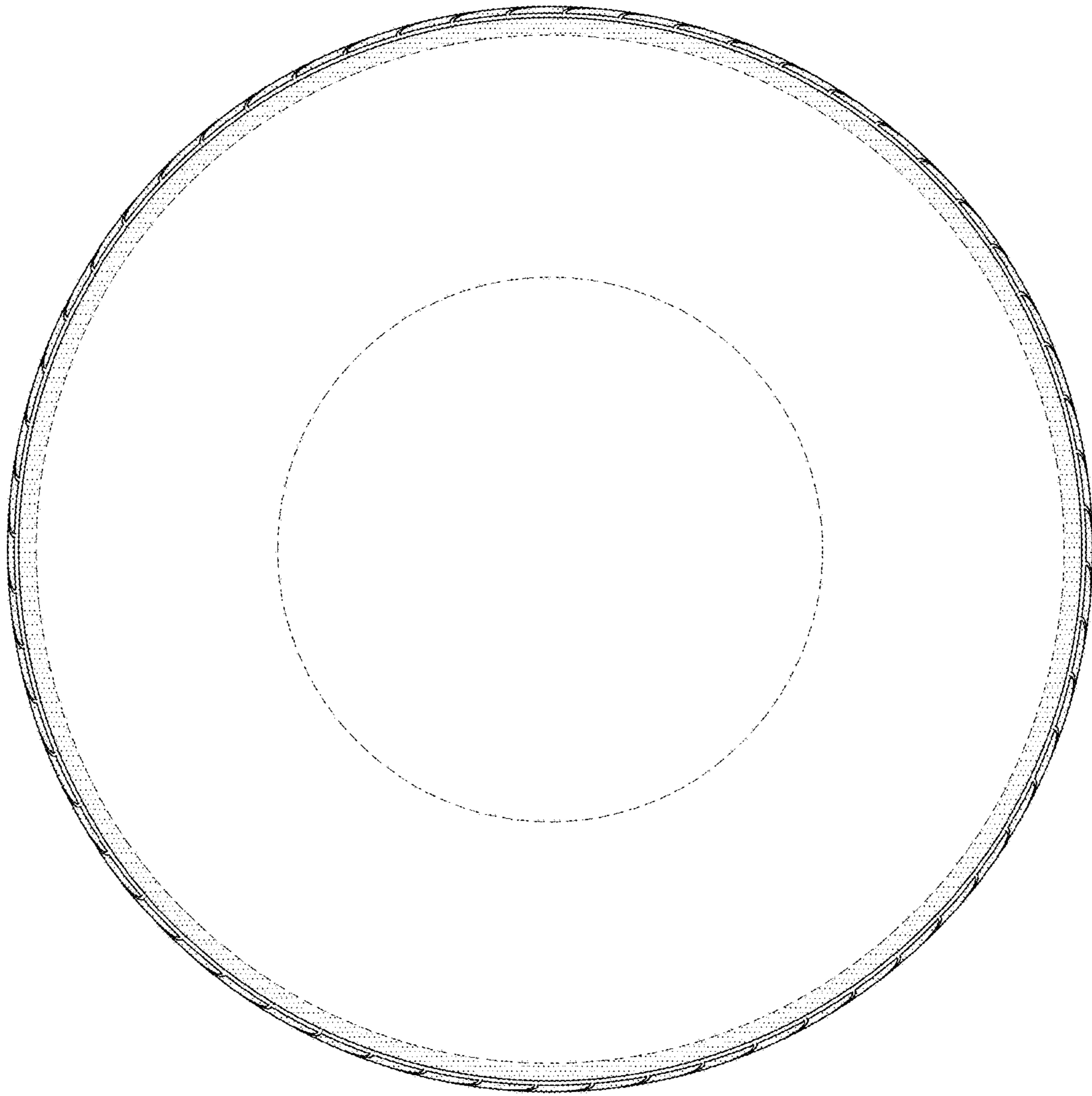


FIG. 3

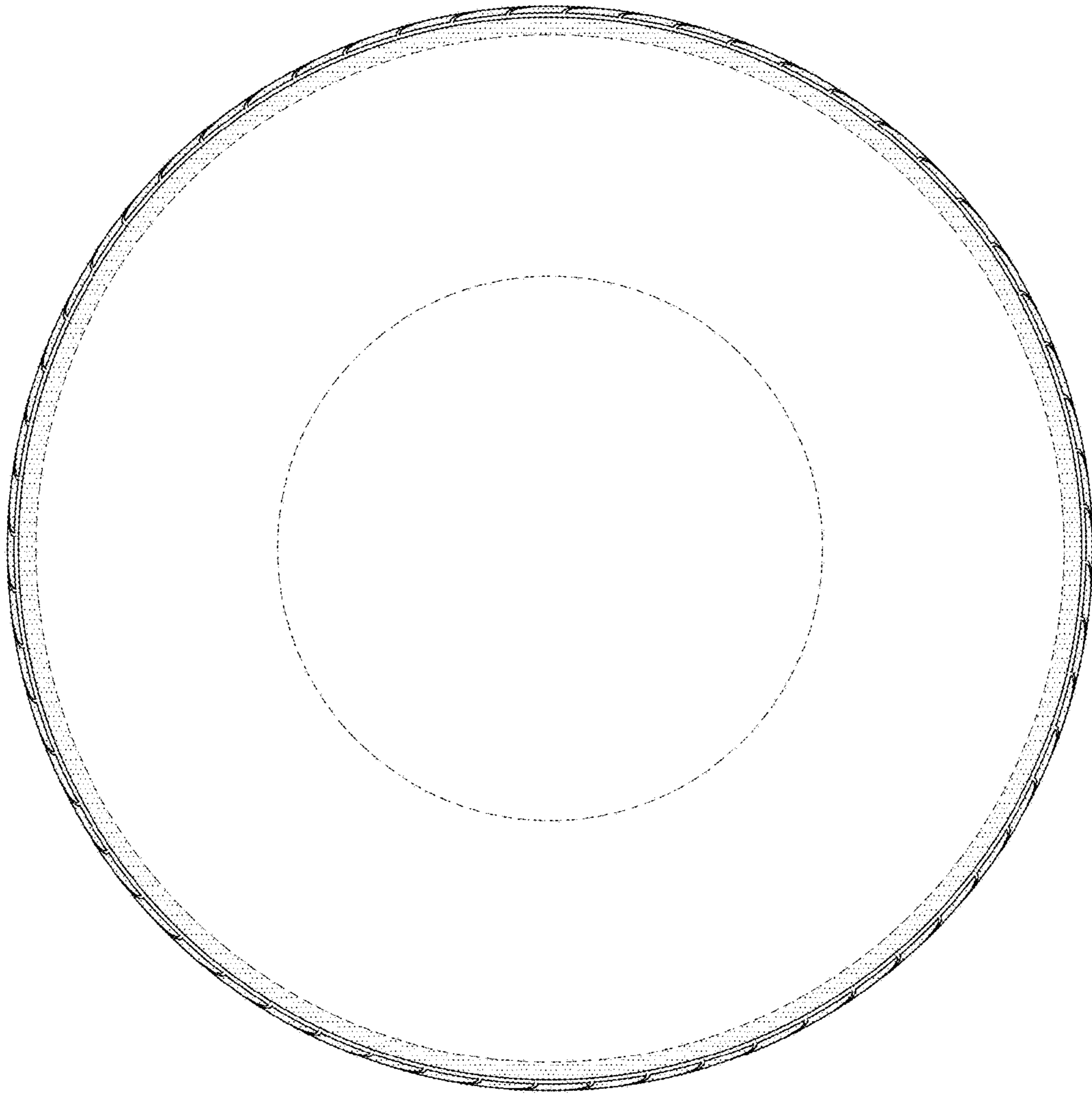


FIG.4

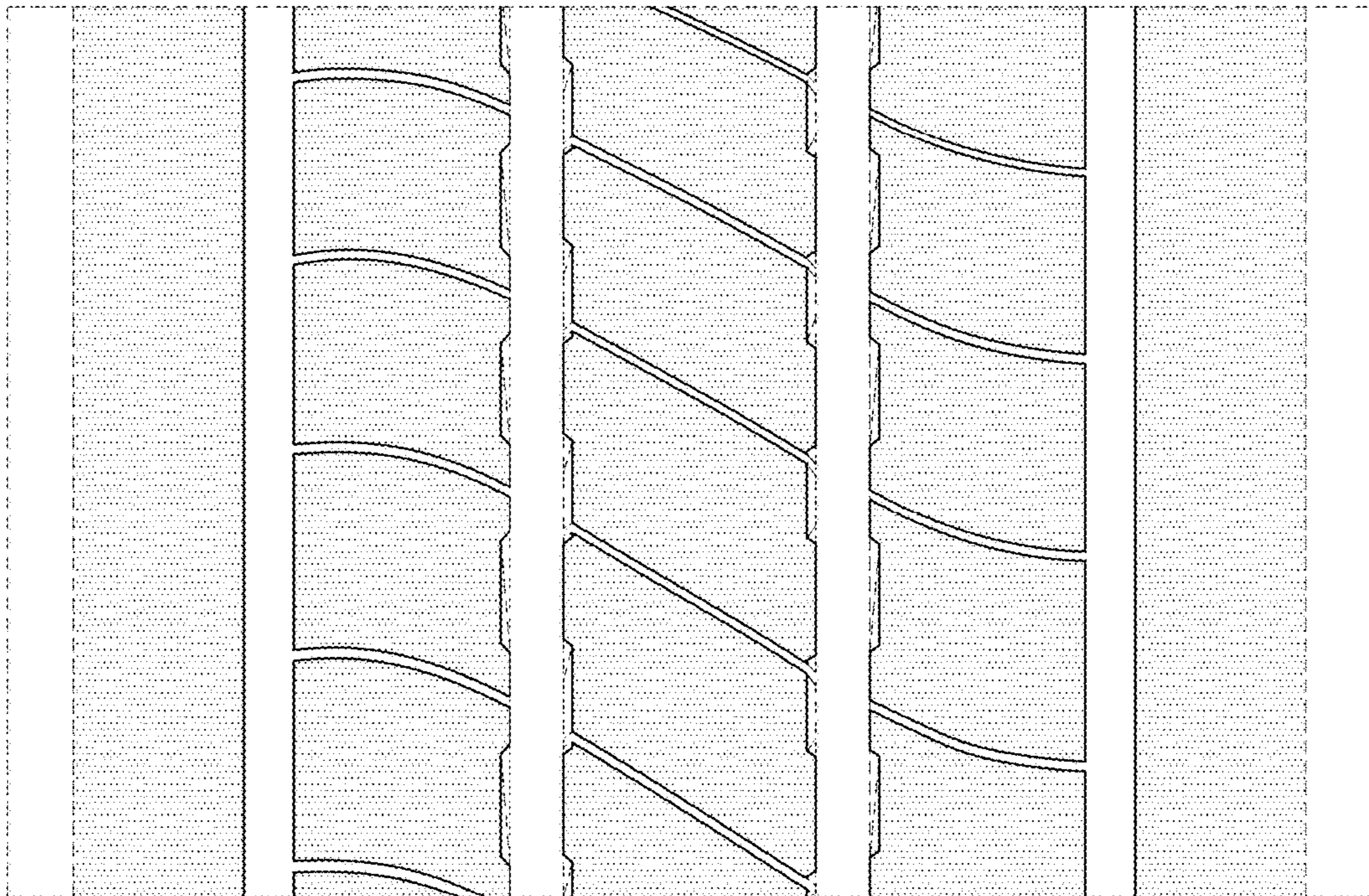


FIG. 5