



US00D788688S

(12) **United States Design Patent**
Schultz et al.

(10) **Patent No.:** **US D788,688 S**
(45) **Date of Patent:** **** Jun. 6, 2017**

(54) **TIRE TREAD**

(71) Applicant: **Bridgestone Americas Tire Operations, LLC**, Nashville, TN (US)

(72) Inventors: **David E. Schultz**, Stow, OH (US);
Keith A. Dumigan, Akron, OH (US);
James E. Braessler, Streetsboro, OH (US)

(73) Assignee: **BRIDGESTONE AMERICAS TIRE OPERATIONS, LLC**, Nashville, TN (US)

(**) Term: **15 Years**

(21) Appl. No.: **29/553,376**

(22) Filed: **Feb. 1, 2016**

(51) **LOC (10) Cl.** **12-15**

(52) **U.S. Cl.**
USPC **D12/579**

(58) **Field of Classification Search**
USPC D12/579, 592, 544, 605
CPC . B60C 11/03; B60C 11/0306; B60C 11/0311;
B60C 13/00
See application file for complete search history.

(56) **References Cited**

U.S. PATENT DOCUMENTS

D380,999 S	7/1997	Lurois et al.	
D386,470 S	11/1997	Scheuren et al.	
D397,652 S	9/1998	Le et al.	
D442,897 S	5/2001	Cazin-Bourguignon et al.	
D444,432 S	7/2001	Warchol	
D447,447 S *	9/2001	Guspodin	D12/579
D457,128 S	5/2002	Robert et al.	
D458,586 S	6/2002	Demagall et al.	
D548,174 S	8/2007	Souchet	
D551,161 S	9/2007	Beaubras et al.	

D567,749 S *	4/2008	Brown	D12/579
D624,008 S *	9/2010	Shan	D12/579
D641,314 S	7/2011	Strader et al.	
D645,399 S	9/2011	Kiwaki	
D661,639 S	6/2012	Carter et al.	
D662,464 S	6/2012	Dixon et al.	
D662,876 S	7/2012	Larregain	
D666,966 S *	9/2012	Chauvin	D12/579
D675,559 S	2/2013	Yamada	
D710,296 S	8/2014	Bani Hani et al.	
D730,272 S	5/2015	Fleckner	
D732,463 S	6/2015	Petr et al.	
D737,197 S	8/2015	Wang et al.	
D742,812 S	11/2015	Hutz et al.	
D756,898 S *	5/2016	Kristen	D12/579

(Continued)

Primary Examiner — Robert M Spear

(74) *Attorney, Agent, or Firm* — Shaun J. Fox

(57) **CLAIM**

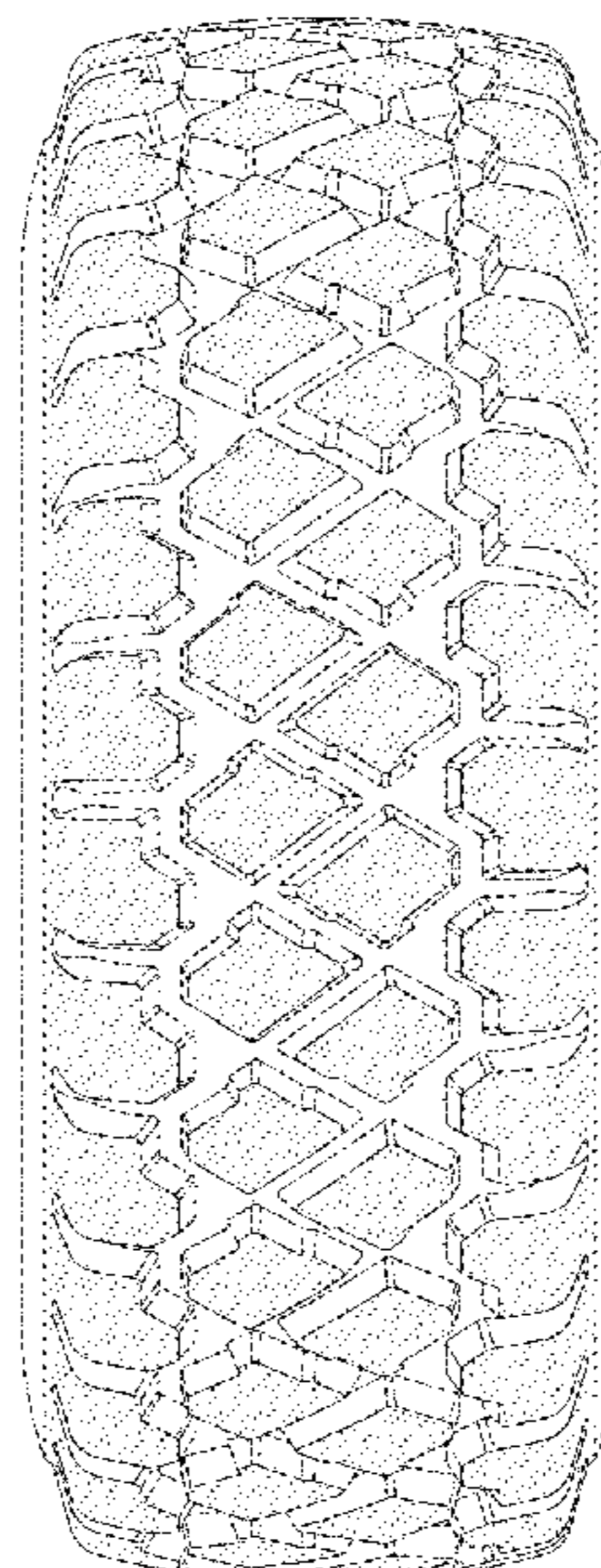
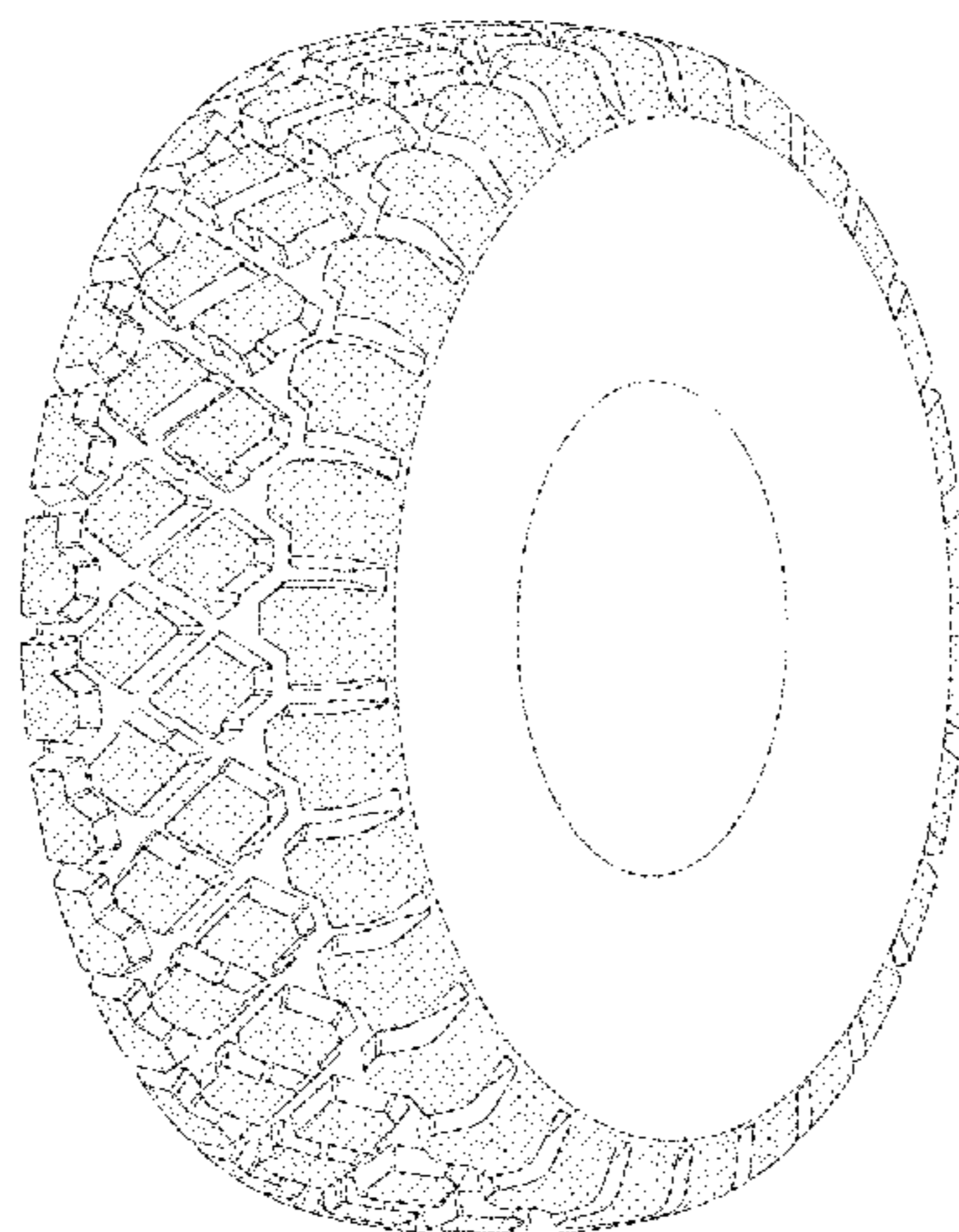
The ornamental design for a tire tread, as shown and described.

DESCRIPTION

FIG. 1 is a side perspective view of a tire tread showing our new design, it being understood that the tread pattern is repeated throughout the circumference of the tire tread, the opposite side being the same as that shown; FIG. 2 is a front elevational view thereof, the opposite side being identical thereto; FIG. 3 is a side elevational view of the right side thereof; FIG. 4 is a side elevational view of the left side thereof; and, FIG. 5 is an enlarged fragmentary front elevational view thereof.

In the drawings, the shaded surfaces comprise the claim. The broken lines defining the sidewall, inner bead, tread lug side walls, and the peripheral boundary between the claimed tire tread and the sidewall depict environmental subject matter that forms no part of the claimed design.

1 Claim, 5 Drawing Sheets



(56)

References Cited

U.S. PATENT DOCUMENTS

D763,176 S * 8/2016 Umstot D12/579
D775,066 S * 12/2016 Sullivan D12/579

* cited by examiner

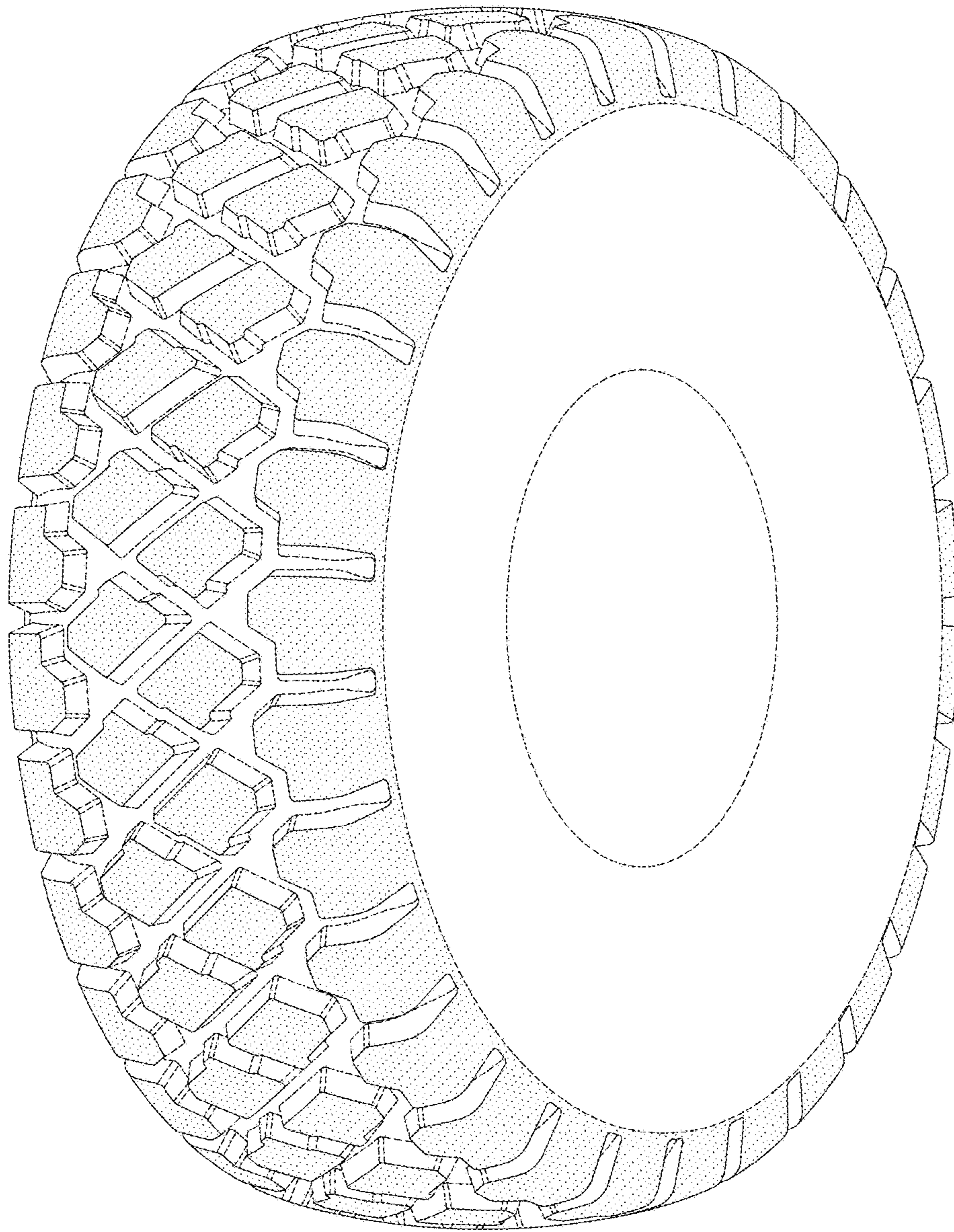


FIG. 1

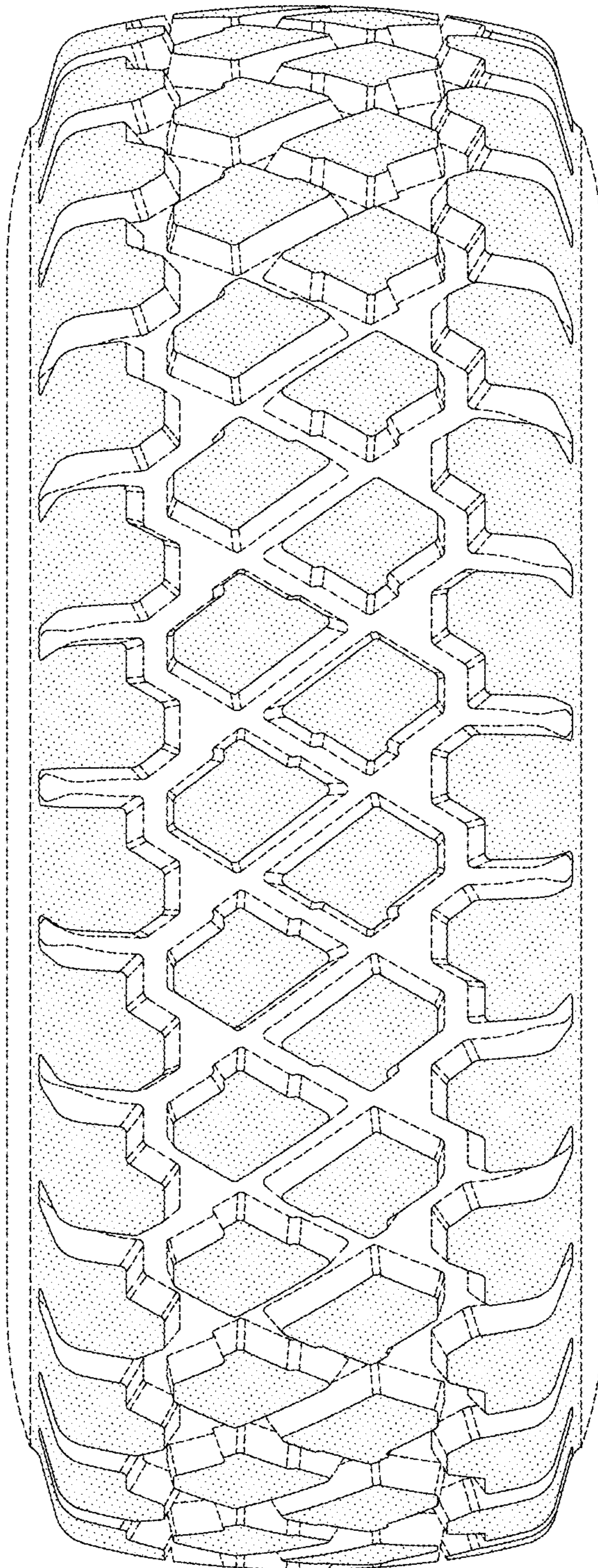


FIG.2

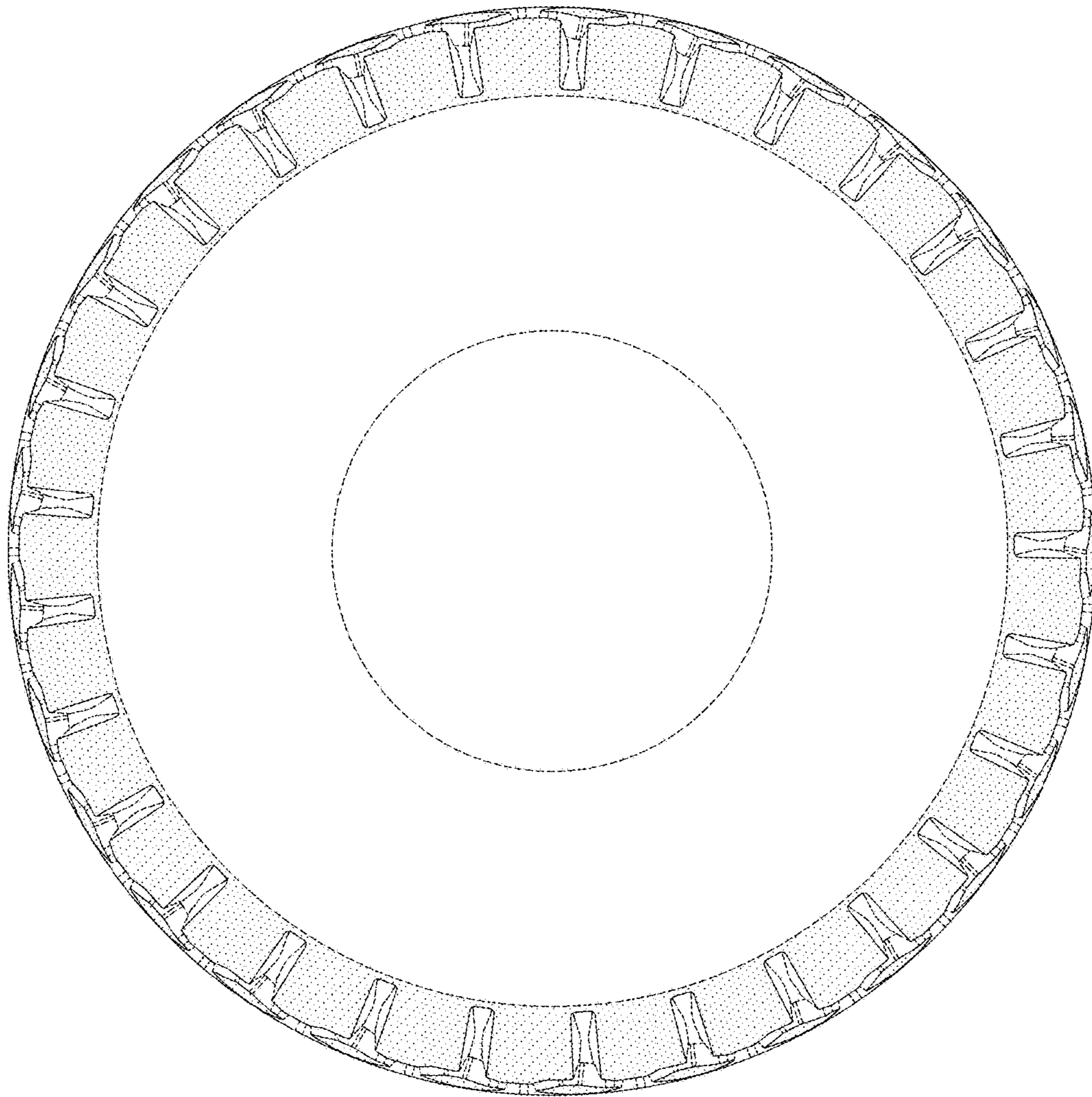


FIG. 3

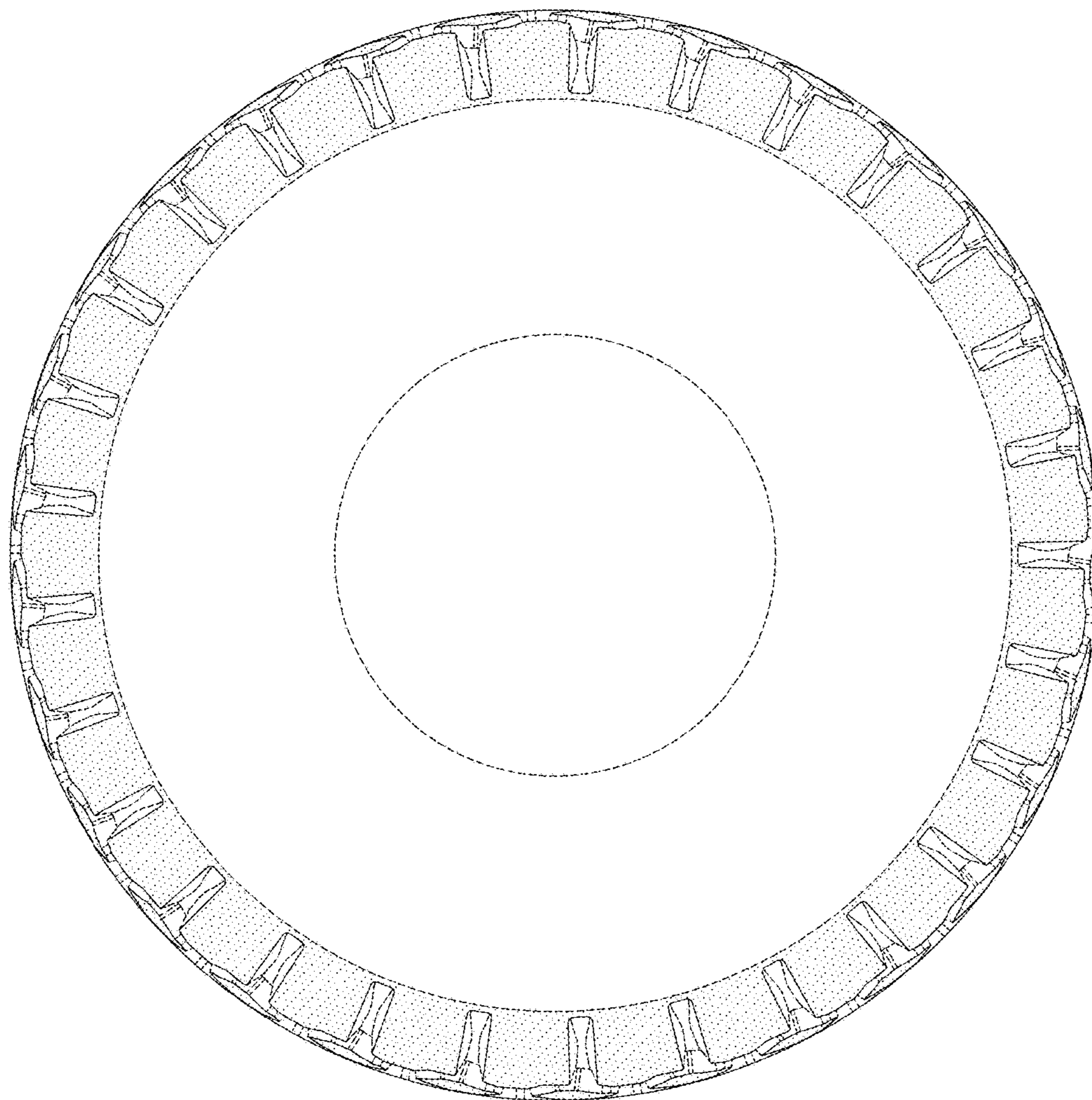


FIG.4

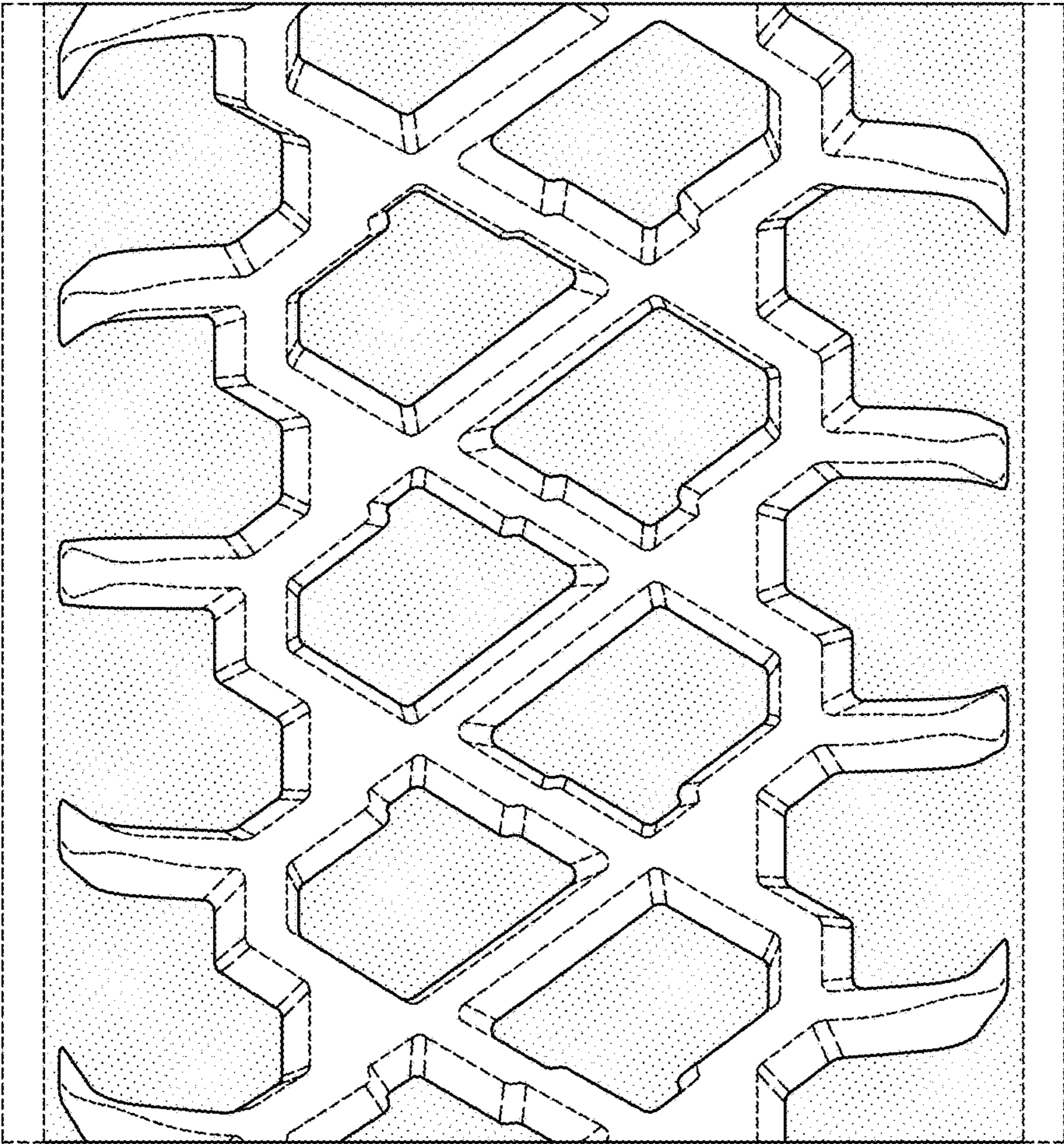


FIG.5